

Parts Manual

Models:

968999114 / W3213

968999116 / W3613

968999251 / W4815

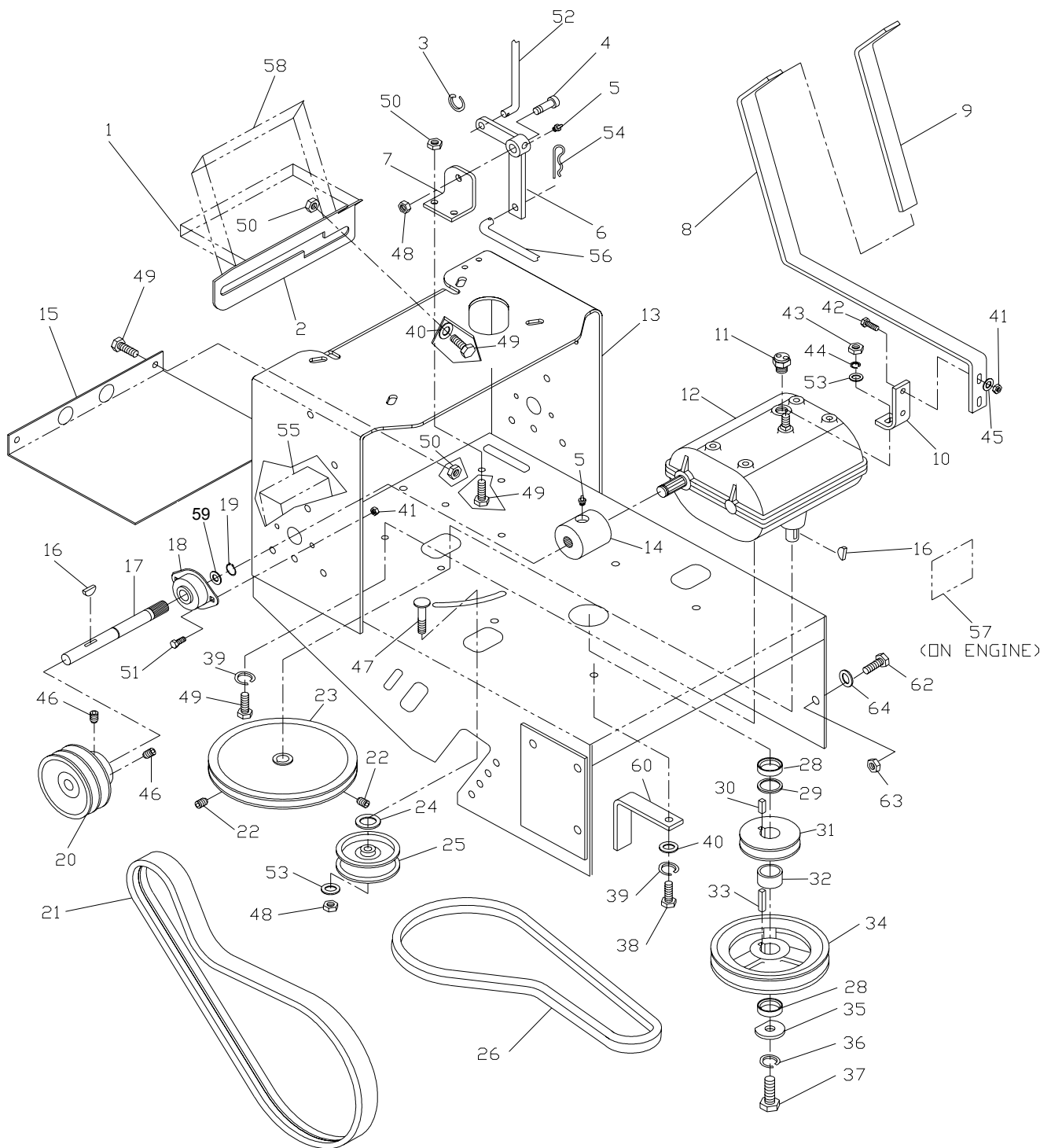
968999278 / WG4815P

Contents

| SECTION | PAGE |
|--|------|
| TRANSMISSION & SHIFTER ASSEMBLY | 4 |
| WHEEL DRIVE & AXLE ASSEMBLY-32", 36", 48" MODELS | 6 |
| TRACTION WHEEL ASSEMBLY-36" & 48" MODEL | 8 |
| TRACTION WHEEL ASSEMBLY-32" MODEL | 10 |
| 32" & 36" FRONT DECK | 12 |
| 48" FRONT DECK | 14 |
| CUTTER HOUSING ASSEMBLY | 16 |
| UPPER HANDLE | 18 |
| FRONT CASTER ASSEMBLY | 20 |
| WIRING HARNESS | 22 |
| TRANSMISSION | 24 |

Husqvarna policy is to improve its products whenever it is possible and practical to do so. In an effort to keep pace with changes in technology, Husqvarna reserves the right to make changes or improvements at any time without incurring any obligation to make such changes on products previously manufactured.

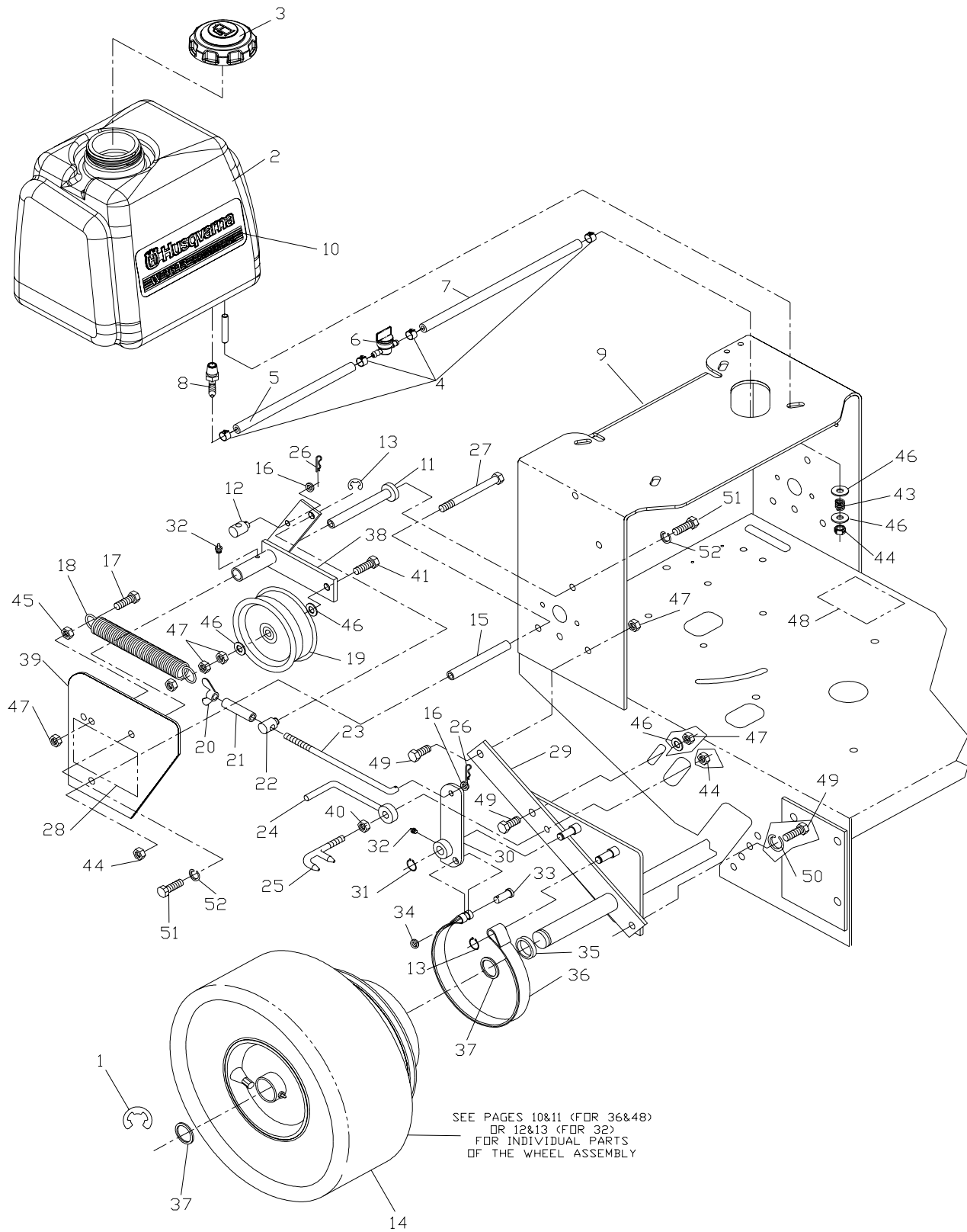
Transmission & Shifter Assembly



Transmission & Shifter Assembly

| ITEM | PART NO. | QTY. | DESCRIPTION | ITEM | PART NO. | QTY. | DESCRIPTION |
|------|-----------|------|---------------------------|------|-----------|------|----------------------------------|
| 1 | 539100277 | 1 | DECAL,SHIFTER | 31 | 539919148 | 1 | PULLEY |
| 2 | 539101960 | 1 | SHIFTER PLATE | 32 | 539101720 | 1 | SPACER |
| 3 | 539916459 | 1 | RETAINER | 33 | 539101995 | 1 | KEY 1/4SQ. X 1 1/8 |
| 4 | 539100150 | 1 | SB 1/2C X 3/4 | 34 | 539101834 | 1 | ENGINE PULLEY |
| 5 | 539976998 | 3 | ZERK1/4-28 STRHT | 35 | 539106504 | 1 | HEAVY WASHER |
| 6 | 539100066 | 1 | BELLCRANK | 36 | 539990247 | 1 | SLW 7/16 STD |
| 7 | 539104648 | 1 | BRACKET | 37 | 539100141 | 1 | HCS 7/16F X 1.5 GR 5 |
| 8 | 539101961 | 1 | SHIFTER ARM | 38 | 539100567 | 4 | HCS M8-1.25 X 30MM |
| 9 | 539101965 | 1 | SHIFTER GRIP | 39 | 539990187 | 8 | SLW 5/16 STD |
| 10 | 539102165 | 1 | SHIFTER BRKT. | 40 | 539990692 | 6 | 5/16 FW STD |
| 11 | 539100148 | 1 | TRANS. SWITCH | 41 | 539990761 | 6 | HLN 1/4C |
| 12 | 539102162 | 1 | TRANSMISSION | 42 | 539977761 | 2 | HCS 1/4C X 1 |
| 13 | 539106498 | 1 | REAR DECK W/DCLS | 43 | 539990155 | 1 | NUT 3/8F |
| 14 | 539102164 | 2 | COUPLING | 44 | 539990118 | 1 | SLW 3/8 STD |
| 15 | 539104547 | 1 | LOWER BELT SHIELD | 45 | 539990598 | 2 | FW 1/4 STD |
| 16 | 539910211 | 3 | #9 WOODRUFF KEY | 46 | 539976956 | 4 | 5/16 NYLOC SETSCW (36" & 48") |
| 17 | 539102163 | 2 | DRIVE SHAFT | | | 2 | (32" MODELS) |
| 18 | 539101967 | 2 | BEARING | 47 | 539100145 | 1 | RHSNB 3/8C X 2 |
| 19 | 539101971 | 2 | RETAINER RING | 48 | 539990546 | 2 | HLN 3/8C CENTER P. |
| 20 | 539101954 | 2 | DRIVE PULLEY (36 & 48) | 49 | 539976934 | 10 | HCS 5/16C X 3/4 |
| | 539102154 | 2 | DRIVE PULLEY(32) | 50 | 539990184 | 6 | HLN 5/16C |
| 21 | 539110859 | 2 | DRIVE BELT(36 & 48) | 51 | 539990072 | 4 | HCS 1/4C X 5/8 |
| | 539102149 | 2 | DRIVE BELT(32) | 52 | 539101972 | 1 | BLADE ROD |
| 22 | 539101988 | 2 | 1/4 NYLOC SETSCW. | 53 | 539990517 | 2 | FW 3/8 STD |
| 23 | 539101964 | 1 | INPUT PULLEY | 54 | 539976989 | 1 | #4 HAIRPIN |
| 24 | 539990550 | 1 | 1/2 FLAT WASHER | 55 | 539105744 | 1 | DANGER DECAL |
| 25 | 539919078 | 1 | IDLER PULLEY | 56 | 539102048 | 1 | BLADE ROD |
| 26 | 539101957 | 1 | BELT, TRANSMISSION | 57 | 539100128 | 1 | EXHAUST DECAL |
| 27 | 539102036 | 1 | BELT GUIDE (NOT SHOWN) | 58 | 539102047 | 1 | DECAL, CLUTCH |
| 28 | 539921960 | 2 | SPACER | 59 | 539991043 | 2 | MACH. BUSHING |
| 29 | 539102050 | 1 | MACH. BUSHING | 60 | 539103462 | 1 | BELT GUIDE, LONG |
| 30 | 539105718 | 1 | KEY 1/4SQ. X 1/2 | 61 | 539103463 | 1 | BELT GUIDE, SHORT (NOT SHOWN) |
| | | | | 62 | 539101175 | 6 | HCS, 7/16C X 1 1/2 |
| | | | | 63 | 539990839 | 6 | NUT, 7/16C, CENTER LOCK |
| | | | | 64 | 539104864 | 6 | WASHER, 7/16 |

Wheel Drive & Axle Assembly 32", 36" & 48" Models

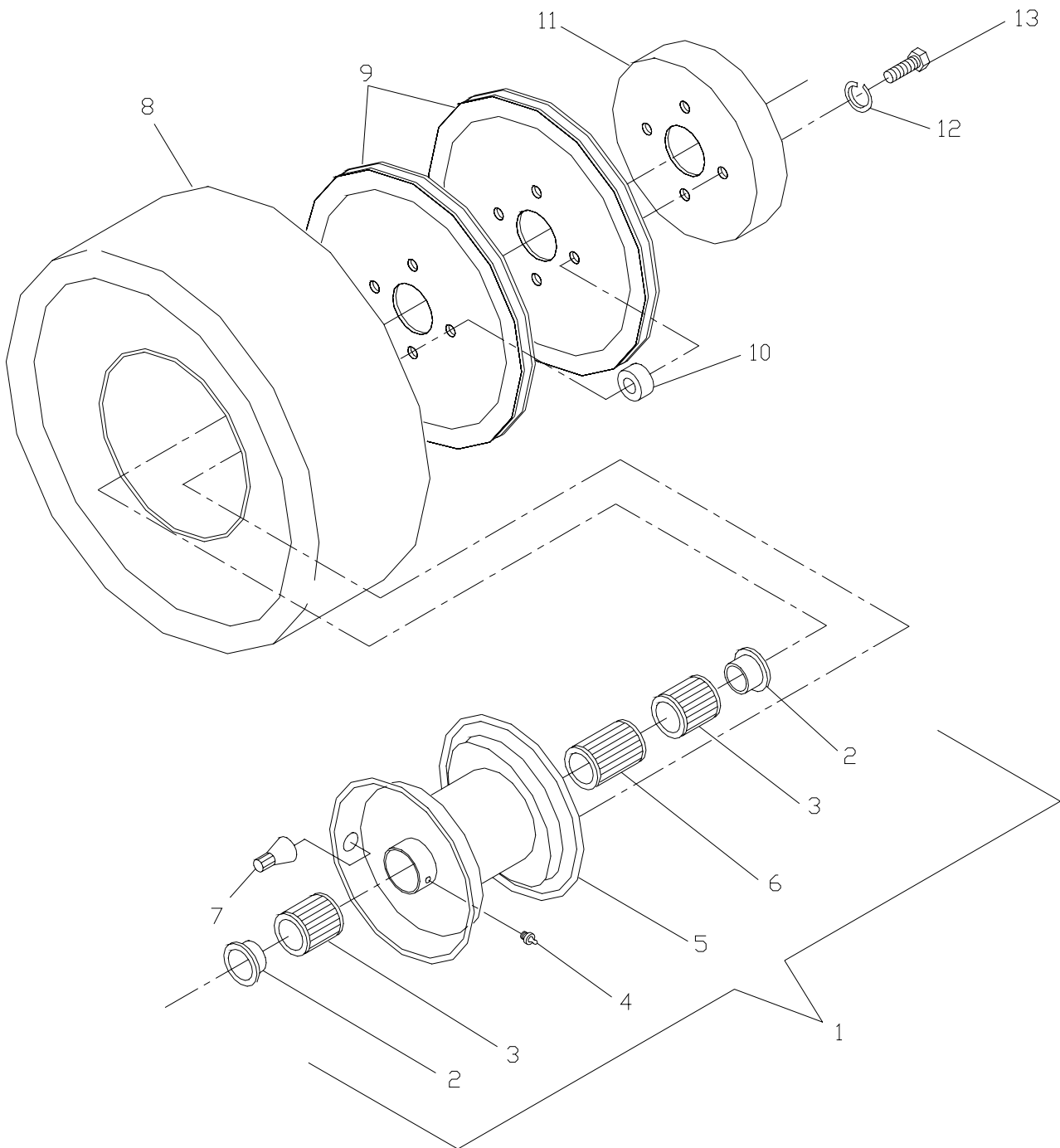


Wheel Drive & Axle Assembly

32", 36" & 48" Models

| ITEM | PART NO. | QTY | DESCRIPTION | ITEM | PART NO. | QTY. | DESCRIPTION |
|------|-----------|-----|-----------------------------|------|-----------|------|---------------------|
| 1 | 539912730 | 2 | 1" E-RING | 26 | 539976988 | 4 | #2 HAIRPIN |
| 2 | 539105630 | 1 | FUEL TANK | 27 | 539990145 | 2 | HCS 5/16C X 5 |
| 3 | 539106188 | 1 | GAS CAP | 28 | 539104789 | 2 | DECAL, CROWN |
| 4 | 539912222 | 4 | HOSE CLAMP | 29 | 539101931 | 1 | AXLE WLDMT(36 & 48) |
| 5 | 539932956 | 1 | 10" GAS LINE | | 539102152 | 1 | AXLE WLDMT(32) |
| 6 | 539916325 | 1 | FUEL VALVE | 30 | 539101934 | 1 | RT. BRAKE ARM |
| 7 | 539104993 | 1 | 14" GAS LINE | | 539102135 | 1 | LT. BRAKE ARM |
| 8 | 539102650 | 1 | HOSE BARB | 31 | 539101949 | 2 | 1/2' E-RING |
| 9 | 539106498 | 1 | REAR DECK W/DCLS | 32 | 539976998 | 4 | ZERK 1/4-28 STRHT |
| 10 | 539104828 | 1 | DECAL, W3213 | 33 | 539102049 | 2 | CLEVIS PIN |
| | 539104829 | 1 | DECAL, W3613 | 34 | 539913847 | 2 | BOLT RETAINER 3/8 |
| | 539104831 | 1 | DECAL, W4815 | 35 | 539921960 | 2 | SPACER |
| 11 | 539102188 | 2 | PIVOT TUBE | 36 | 539101945 | 2 | BRAKE BAND |
| 12 | 539976434 | 2 | SWIVEL(SHORT) | 37 | 539916561 | 4 | MACH. BUSHING |
| 13 | 539990870 | 4 | 3/8" E-RING | 38 | 539102168 | 1 | IDLER PLATE, RT |
| 14 | 539104757 | 2 | WHEEL ASM.(36 & 48) | | 539102169 | 1 | IDLER PLATE, LT |
| | | | (WITH BRAKE DRUM & PULLEYS) | 39 | 539101969 | 2 | FENDER |
| | 539104715 | 2 | WHEEL ASM.(32) | 40 | 539990585 | 2 | HFLN 5/16C |
| | | | (WITH BRAKE DRUM & PULLEYS) | 41 | 539101350 | 2 | 3/8C X 3 TAPBOLT |
| 15 | 539101992 | 2 | LONG SPACER | 42 | 539102502 | 4 | 5/16 STUD |
| 16 | 539990692 | 12 | 5/16 FW STD | 43 | 539102845 | 4 | SPRING |
| 17 | 539976941 | 2 | HCS 3/8C X 1 1/4 | 44 | 539990184 | 4 | HLN 5/16C |
| 18 | 539101977 | 2 | SPRING | 45 | 539990613 | 2 | HFLN 3/8C |
| 19 | 539101955 | 2 | IDLER PULLEY | 46 | 539990517 | 8 | FW 3/8 STD |
| 20 | 539100276 | 2 | 5/16 WINGNUT | 47 | 539990546 | 12 | HLN 3/8C CENTER P. |
| 21 | 539100097 | 2 | SPACER | 48 | 539101881 | 1 | DECAL, PROP. 65 |
| 22 | 539101940 | 2 | SWIVEL | 49 | 539990563 | 6 | HCS 3/8C X 1 |
| 23 | 539101939 | 2 | BRAKE ROD | 50 | 539990118 | 2 | SLW 3/8 STD |
| 24 | 539101973 | 2 | BELT GUIDE | 51 | 539990209 | 4 | HCS 5/16C X 1 |
| 25 | 539102035 | 2 | SCRAPER(36 & 48) | 52 | 539990187 | 4 | SLW 5/16 STD |
| | 539102155 | 2 | SCRAPER(32) | | | | |

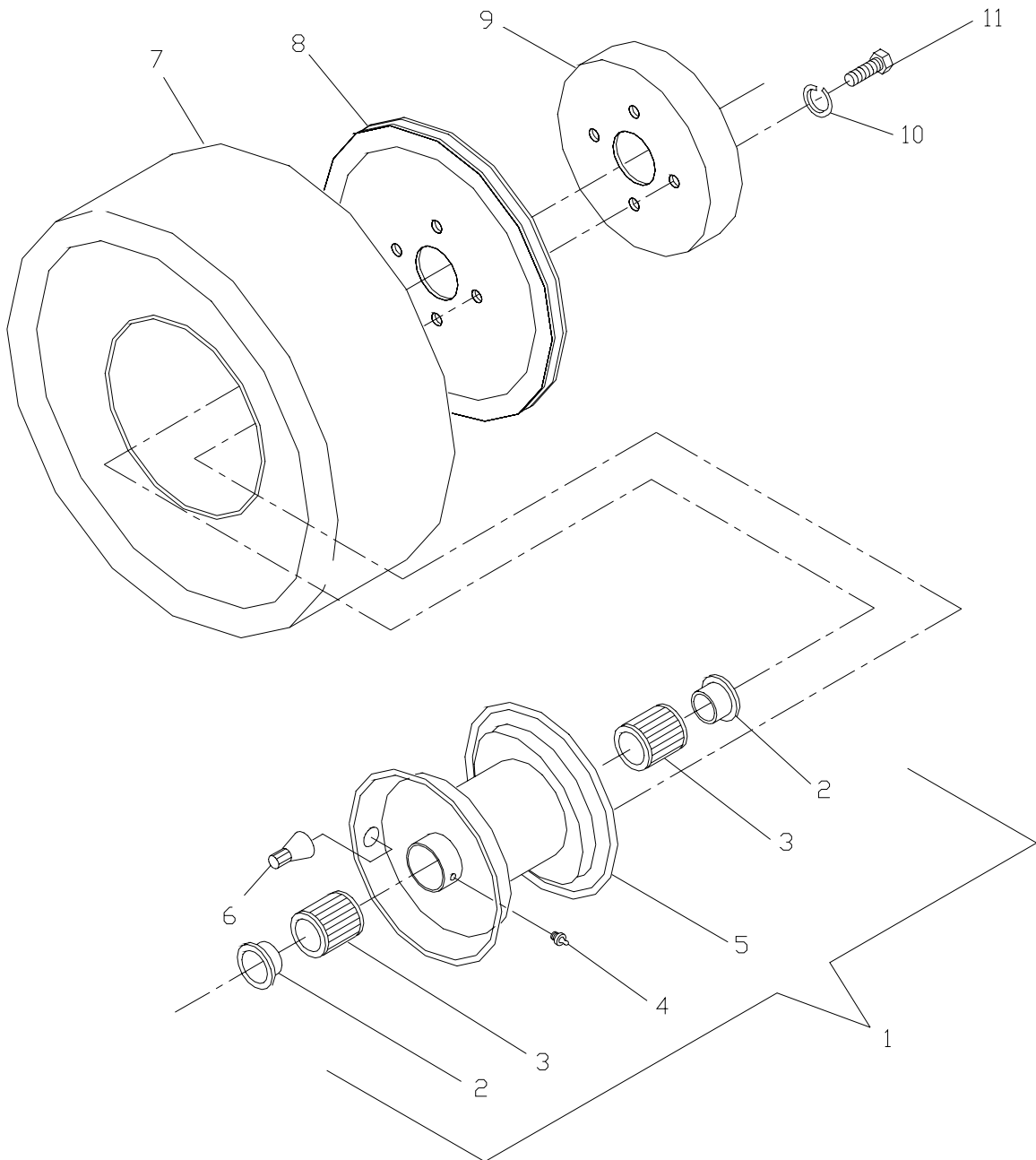
Traction Wheel Assembly 36" & 48" Models



Traction Wheel Assembly 36" & 48" Models

| ITEM | PART NO. | QTY. | DESCRIPTION |
|------|-----------|------|---|
| 1 | 539104758 | 1 | WHEEL ASM. (INCLUDES ITEMS 2 THRU 8) |
| 2 | 539100395 | 2 | END CAP |
| 3 | 539102161 | 2 | ROLLER BEARING(SHORT) |
| 4 | 539976998 | 1 | ZERK 1/4-28 STRHT |
| 5 | 539104759 | 1 | RIM (INCLUDES ITEMS 4 & 7) |
| 6 | 539100393 | 1 | ROLLER BEARING(LONG) |
| 7 | 539912234 | 1 | AIR VALVE |
| 8 | 539923788 | 1 | TIRE |
| 9 | 539938473 | 2 | TRACTION PULLEY |
| 10 | 539923515 | 4 | SPACER |
| 11 | 539101946 | 1 | BRAKE DRUM |
| 12 | 539990118 | 4 | SLW 3/8 STD |
| 13 | 539990164 | 4 | HCS 3/8F X 1 1/2 |

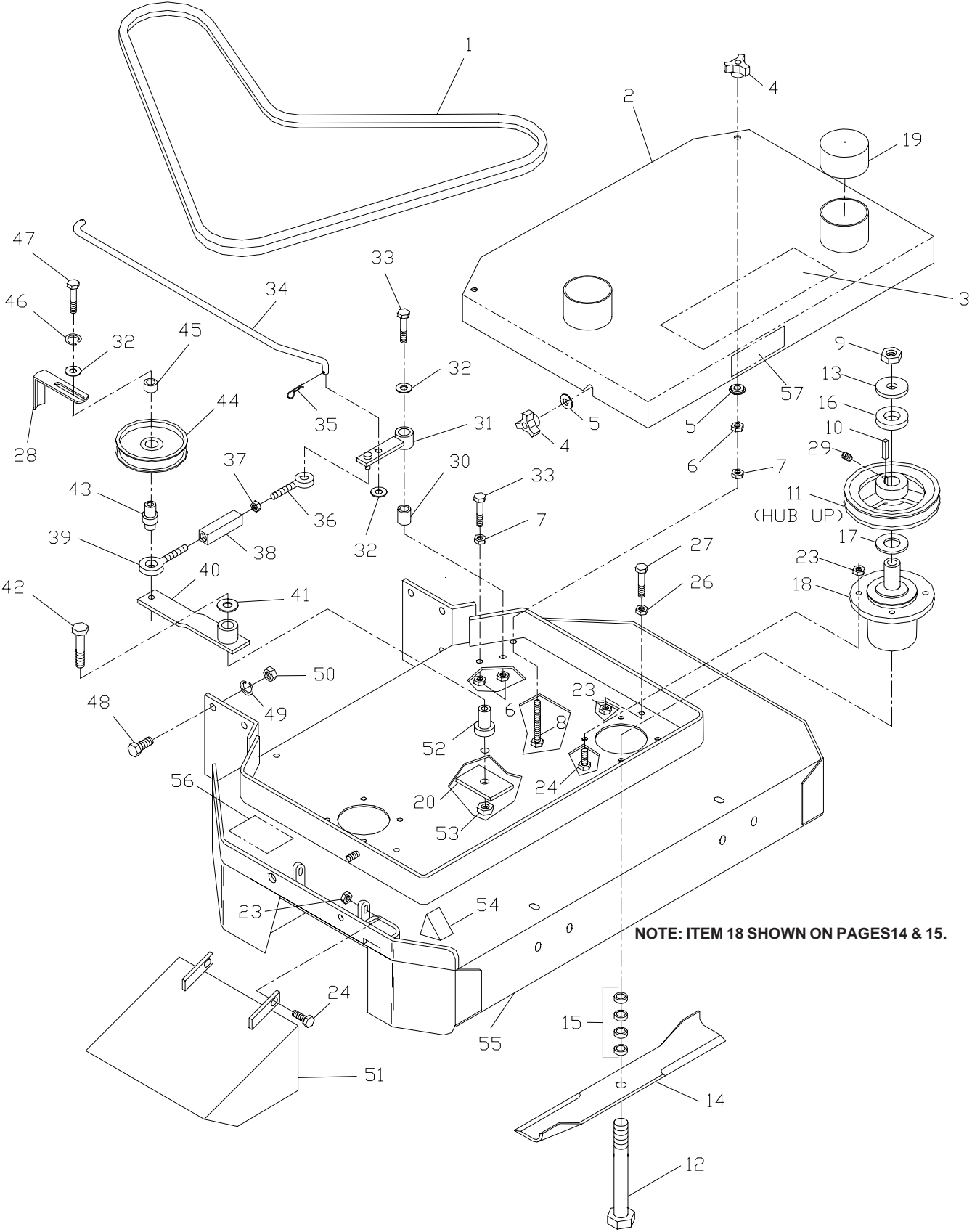
Traction Wheel Assembly 32" Model



Traction Wheel Assembly 32" Model

| ITEM | PART NO. | QTY. | DESCRIPTION |
|------|-----------|------|--|
| 1 | 539104714 | 1 | WHEELASM. (INCLUDES ITEMS 2 THRU 7) |
| 2 | 539100395 | 2 | END CAP |
| 3 | 539100393 | 2 | ROLLER BEARING |
| 4 | 539976998 | 1 | ZERK 1/4-28 STRHT |
| 5 | 539104716 | 1 | RIM (INCLUDES ITEMS 4 & 6) |
| 6 | 539912234 | 1 | AIR VALVE |
| 7 | 539977222 | 1 | TIRE |
| 8 | 539976522 | 1 | TRACTION PULLEY |
| 9 | 539101946 | 1 | BRAKE DRUM |
| 10 | 539990118 | 4 | SLW 3/8 STD |
| 11 | 539977748 | 4 | HCS 3/8F X 3/4 |

32" & 36" Front Deck Assembly

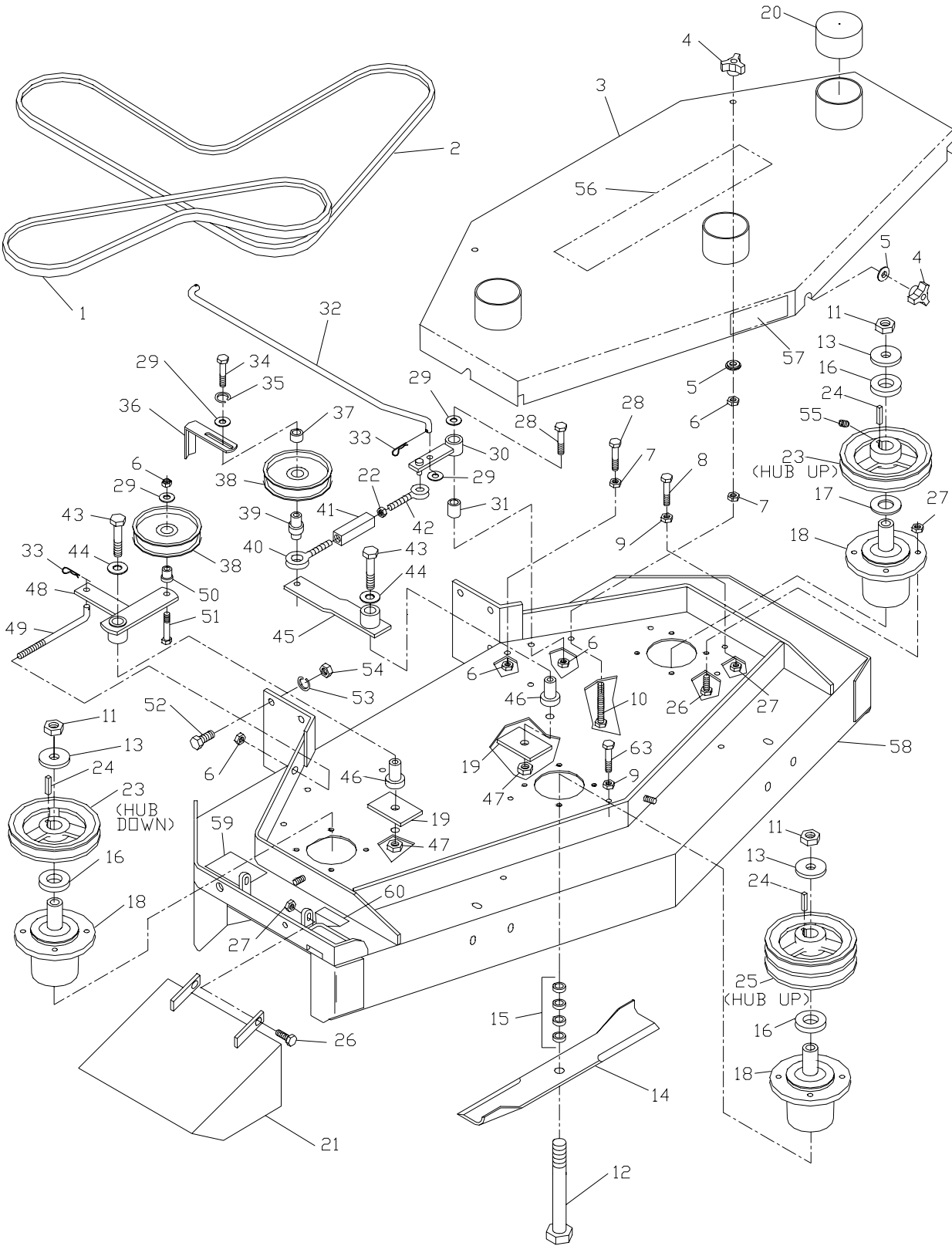


NOTE: ITEM 18 SHOWN ON PAGES 14 & 15.

32" & 36" Front Deck Assembly

| ITEM | PART NO. | QTY. | DESCRIPTION | ITEM | PART NO. | QTY. | DESCRIPTION |
|------|-----------|------|----------------------|------|-----------|------|-------------------|
| 1 | 539101959 | 1 | 36" DECK BELT | 30 | 539101836 | 1 | SLEEVE BUSHING |
| | 539102148 | 1 | 32" DECK BELT | 31 | 539101979 | 1 | ENGAGEMENT ARM |
| 2 | 539104561 | 1 | 36" BELT SHIELD | 32 | 539990517 | 3 | FW 3/8 STD |
| | 539104650 | 1 | 32" BELT SHIELD | 33 | 539990629 | 2 | HCS 3/8C X 2 1/4 |
| 3 | 539104790 | 1 | DECAL, HUSQVARNA | 34 | 539102048 | 1 | BLADE ROD 32 & 36 |
| 4 | 539102070 | 4 | KNOB | 35 | 539976988 | 1 | #2 HAIRPIN |
| 5 | 539102056 | 4 | 3/8 SEALING WASHER | 36 | 539101982 | 1 | RT. HAND EYEBOLT |
| 6 | 539990546 | 4 | HLN 3/8C | 37 | 539990196 | 1 | 5/16C HEX NUT |
| 7 | 539990613 | 3 | 3/8C WHIZ NUT | 38 | 539101983 | 1 | TURNBUCKLE |
| 8 | 539102334 | 2 | TAPBOLT 3/8C X 4 1/2 | 39 | 539101981 | 1 | LT. HAND EYEBOLT |
| 9 | 539976980 | 2 | HN 5/8F | 40 | 539101978 | 1 | ARM WLDMT |
| 10 | 539101995 | 2 | KEY 1/4SQ. X 1 1/8 | 41 | 539990550 | 1 | FW 1/2 STD |
| 11 | 539976398 | 2 | PULLEY W/SETSCRS | 42 | 539101332 | 1 | HCS 1/2C X 2 3/4 |
| 12 | 539102332 | 2 | HCS 5/8F X 8 1/2 | 43 | 539101980 | 1 | EYEBOLT PIVOT |
| 13 | 539102243 | 2 | SUPPORT WASHER | 44 | 539976688 | 1 | IDLER PULLEY |
| 14 | 539100341 | 2 | BLADE 18"(36) | 45 | 539102656 | 1 | SPACER |
| | 539100340 | 2 | BLADE 16 1/4"(32) | 46 | 539990118 | 1 | 3/8 LOCK WASHER |
| 15 | 539976436 | 8 | BLADE SPACERS | 47 | 539990637 | 1 | HCS 3/8C X 2 1/2 |
| 16 | 539102245 | 2 | SPACER | 48 | 539101175 | 6 | HCS 7/16C X 1 1/2 |
| 17 | 539102675 | 2 | MACH. BSHG. 10GA. | 49 | 539990247 | 6 | 7/16 LOCK WASHER |
| 18 | 539102440 | 2 | HOUSING ASM. | 50 | 539990449 | 6 | 7/16C HEX NUT |
| 19 | 539102320 | 2 | TUBE CAP | 51 | 539104546 | 1 | DEFLECTOR CHUTE |
| 20 | 539102236 | 1 | PAD(NOT USED 32) | 52 | 539101231 | 1 | IDLER SPINDLE |
| 23 | 539990184 | 16 | HLN 5/16C | 53 | 539101331 | 1 | HLN 1/2C NYLOC |
| 24 | 539990209 | 10 | HCS 5/16C X 1 | 54 | 539913010 | 1 | DECAL, CPSC |
| 26 | 539990585 | 6 | HFLN 5/16C | 55 | 539104563 | 1 | 36" DECK W/DECALS |
| 27 | 539990553 | 6 | HCS 5/16C X 3 | | 539104620 | 1 | 32" DECK W/DECALS |
| 28 | 539100075 | 1 | SNUBBER | 56 | 539105746 | 1 | DECAL, DANGER |
| 29 | 539976956 | 4 | 5/16 NYLOC SETSCR. | 57 | 539105071 | 1 | DECAL, NASCAR |

48" Front Deck



48" Front Deck

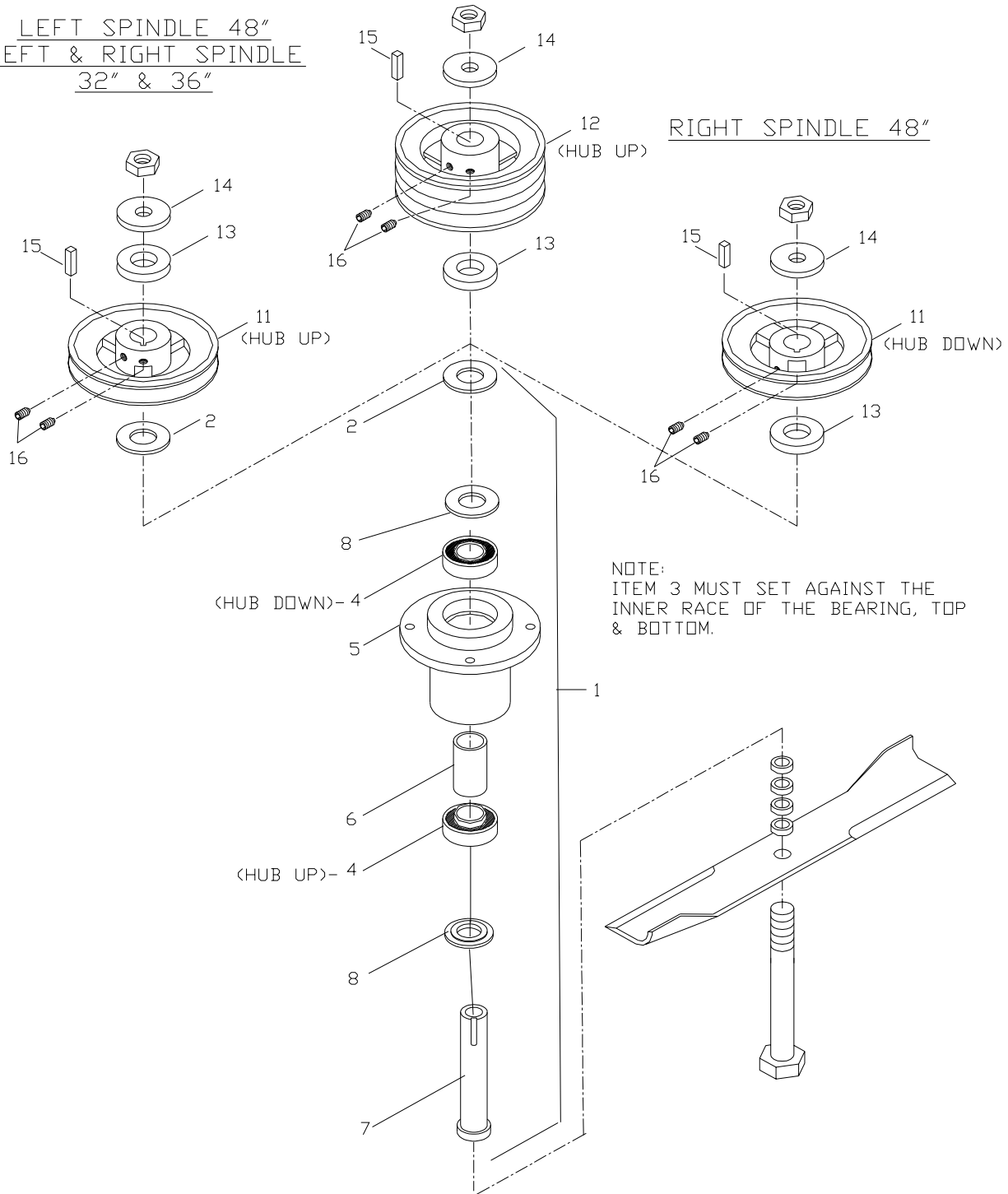
| ITEM | PART NO. | QTY. | DESCRIPTION | ITEM | PART NO. | QTY. | DESCRIPTION |
|------|-----------|------|----------------------------|------|-----------|------|-------------------------|
| 1 | 539100024 | 1 | AUX. BLADE BELT | 31 | 539101836 | 1 | SLEEVE BUSHING |
| 2 | 539101958 | 1 | BLADE BELT 48 | 32 | 539102031 | 1 | BLADE ROD 48" |
| 3 | 539104562 | 1 | 48" BELT SHIELD | 33 | 539976988 | 2 | #2 HAIRPIN |
| 4 | 539102070 | 5 | THREE PRONG KNOB | 34 | 539990637 | 1 | HCS 3/8C X 2 1/2 |
| 5 | 539102056 | 5 | 3/8 SEALING WASHER | 35 | 539990118 | 1 | 3/8 LOCK WASHER |
| 6 | 539990546 | 6 | HLN 3/8C | 36 | 539100075 | 1 | SNUBBER |
| 7 | 539990613 | 6 | HFLN 3/8C | 37 | 539102656 | 1 | SPACER |
| 8 | 539990553 | 4 | HCS 5/16CX3(BELT GUIDE) | 38 | 539976688 | 2 | IDLER PULLEY |
| 9 | 539990585 | 7 | HFLN 5/16C | 39 | 539101980 | 1 | EYEBOLT PIVOT |
| 10 | 539102334 | 2 | TAPBOLT-3/8C X 4 1/2 | 40 | 539101981 | 1 | LEFT HAND EYEBOLT |
| 11 | 539976980 | 3 | HN 5/8F | 41 | 539101983 | 1 | TURNBUCKLE |
| 12 | 539102332 | 2 | HCS 5/8F X 8 1/2 | 42 | 539101982 | 1 | RH. EYEBOLT |
| | 539101100 | 1 | HCS 5/8F X 9(CENTER) | 43 | 539101332 | 2 | HCS 1/2C X 2 3/4 |
| 13 | 539102243 | 3 | SUPPORT WASHER | 44 | 539990550 | 3 | 1/2 FLAT WASHER |
| 14 | 539100340 | 3 | BLADE 16 1/4" | 45 | 539101978 | 1 | ARM WLDMT |
| 15 | 539976436 | 12 | BLADE SPACERS | 46 | 539101231 | 2 | IDLER SPINDLE |
| 16 | 539102245 | 3 | SPACER | 47 | 539101331 | 2 | 1/2C NYLOC NUT |
| 17 | 539102675 | 1 | MACH. BUSHING 10 GA. | 48 | 539102237 | 1 | AUX. IDLER ARM |
| 18 | 539102440 | 3 | HOUSING ASM. | 49 | 539102337 | 1 | TENSION ROD |
| 19 | 539102236 | 2 | PAD | 50 | 539976695 | 1 | IDLER FLANGE BUSHING |
| 20 | 539102320 | 3 | TUBE CAP | 51 | 539990730 | 1 | HCS 3/8C X 1 3/4 |
| 21 | 539104546 | 1 | DEFLECTOR CHUTE | 52 | 539101175 | 6 | HCS 7/16C X 1 1/2 |
| 22 | 539990196 | 1 | 5/16C HEX NUT | 53 | 539990247 | 6 | 7/16 LOCK WASHER |
| 23 | 539976398 | 2 | PULLEY W/SETSCREWS | 54 | 539990449 | 6 | 7/16C HEX NUT |
| 24 | 539101995 | 3 | 1/4SQ. KEY X 1 1/8 | 55 | 539976956 | 6 | 5/16 NYLOC SETSCREW |
| 25 | 539101819 | 1 | DOUBLE PULLEY W/SETS. | 56 | 539104790 | 1 | DECAL, HUSQVARNA |
| 26 | 539990209 | 14 | HCS 5/16C X 1 | 57 | 539105071 | 1 | DECAL, NASCAR |
| 27 | 539990184 | 21 | HLN 5/16C | 58 | 539104564 | 1 | 48" DECK W/DECALS |
| 28 | 539990629 | 2 | HCS 3/8C X 2 1/4 | 59 | 539100344 | 1 | DECAL, DANGER |
| 29 | 539990517 | 4 | FW 3/8 STD | 60 | 539913010 | 1 | DECAL, CPSC |
| 30 | 539101979 | 1 | ENGAGEMENT ARM | 63 | 539102335 | 3 | HCS 5/16C X 4 |

Cutter Housing Assembly

CENTER SPINDLE 48"

LEFT SPINDLE 48"
LEFT & RIGHT SPINDLE
32" & 36"

RIGHT SPINDLE 48"



NOTE:
ITEM 3 MUST SET AGAINST THE
INNER RACE OF THE BEARING, TOP
& BOTTOM.

Cutter Housing Assembly

| ITEM | PART NO. | QTY. | DESCRIPTION |
|------|-----------|------|---|
| 1 | 539102440 | .1 | CUTTER HOUSING ASM. (INCLUDES ITEMS 2 THRU 10) |
| 2 | 539102675 | .1 | MACH. BUSING 10GA. |
| 4 | 539102677 | .2 | BEARING |
| 5 | 539102673 | .1 | HOUSING |
| 6 | 539102676 | .1 | SPACER |
| 7 | 539102674 | .1 | SPINDLE |
| 8 | 539107272 | .2 | COMBO SPACER |
| 11 | 539976398 | .1 | PULLEY |
| 12 | 539101819 | .1 | DOUBLE PULLEY |
| 13 | 539102245 | .1 | 3/8" SPACER |
| 14 | 539102243 | .1 | 1/4" SPACER |
| 15 | 539101995 | .1 | KEY 1/4 SQ. X 1 1/8" |
| 16 | 539976956 | .2 | 5/16 NYLOC SETSCREW |

SEE PAGES 12 THRU 15 FOR CORRECT BLADE BOLT, NUT, BLADE SPACERS, AND BLADE FOR YOUR MODEL.

SEE PAGES 12 THRU 15 FOR CORRECT BLADE BOLT, NUT, BLADE SPACERS, AND BLADE FOR YOUR MODEL.

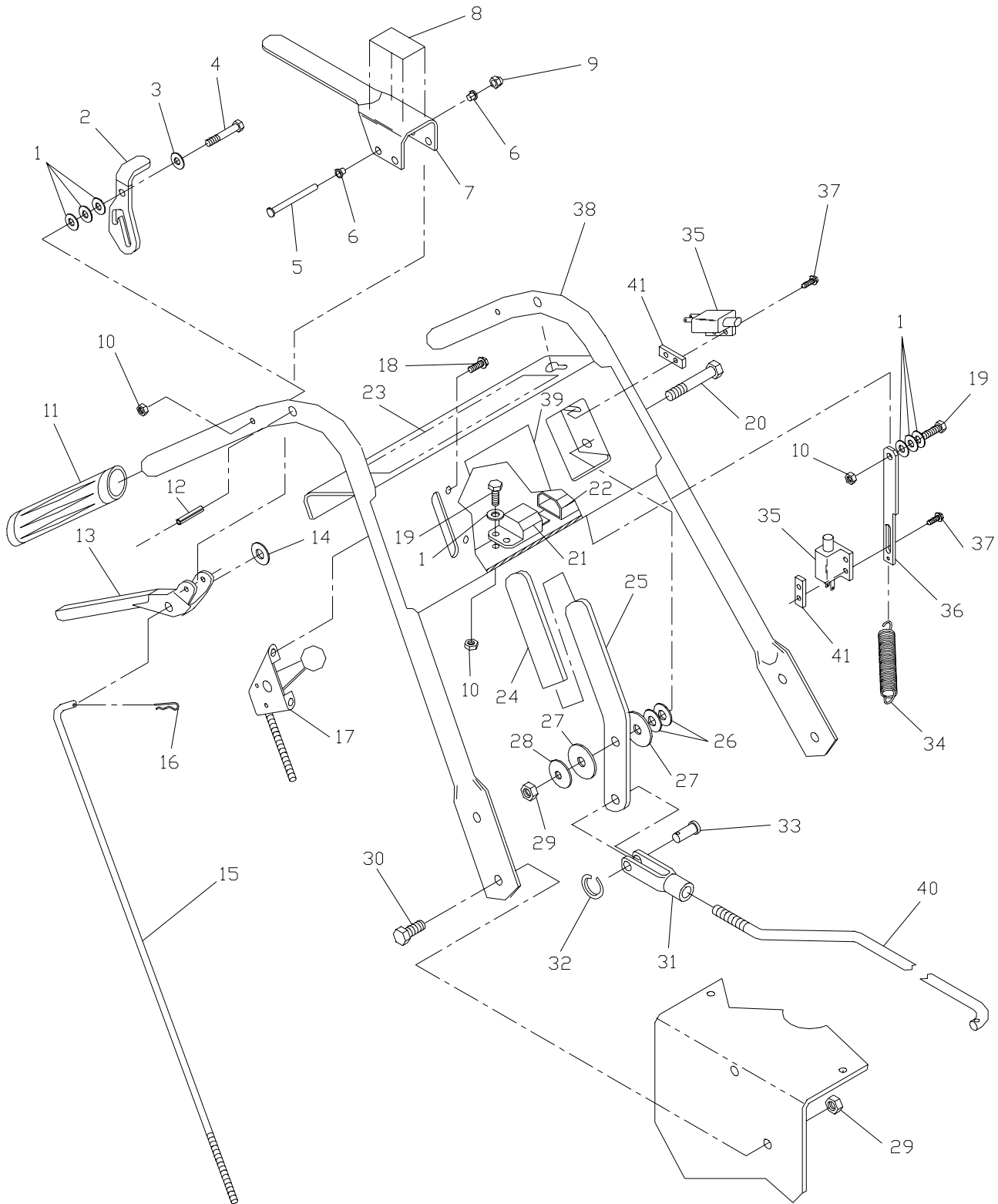
NOTE:

THIS HOUSING ASSEMBLY (ITEM 1) IS USED IN CONJUNCTION WITH DIFFERENT PULLEYS AND SPACERS. IT IS CRITICAL THAT YOU USE THE RIGHT SPACERS IN THE RIGHT LOCATION FOR THE DIFFERENT SPINDLE COMBINATIONS. (ALSO REFER TO THE OPERATOR'S MANUAL)

NOTE:

THIS HOUSING ASSEMBLY (ITEM 1) WILL NOT WORK IF THESE ITEMS ARE NOT IN THEIR PROPER LOCATION OR ORIENTATION.

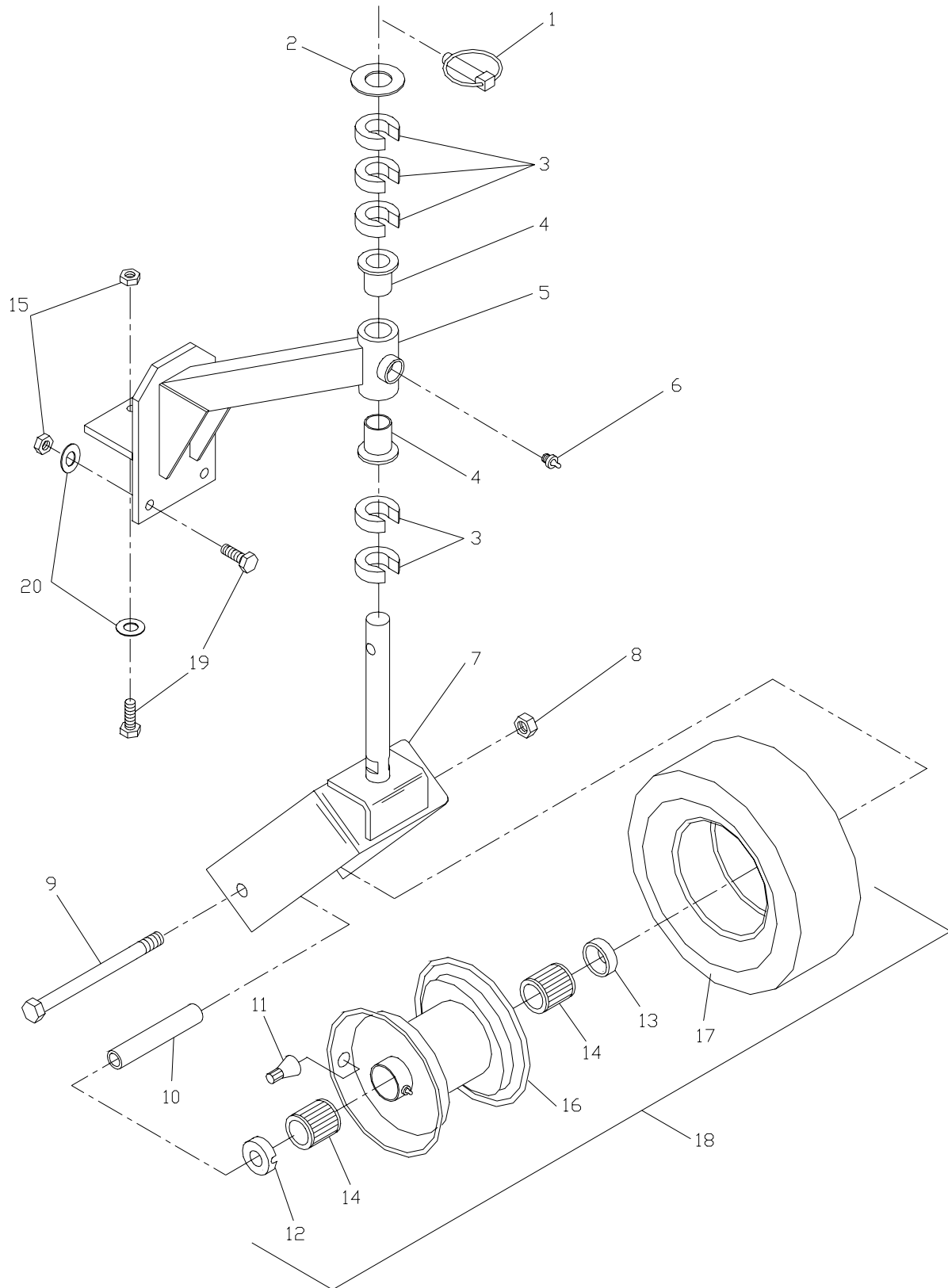
Upper Handle Assembly



Upper Handle Assembly

| ITEM | PART NO. | QTY. | DESCRIPTION |
|------|-----------|------|-------------------------|
| 1 | 539990055 | 13 | 1/4SAE FLAT WASHER |
| 2 | 539976387 | 1 | LATCH, LT. THUMB W/GRIP |
| | 539976388 | 1 | LATCH, RT. THUMB W/GRIP |
| 3 | 539976983 | 2 | WASHER, WAVE SPRING |
| 4 | 539991003 | 2 | HCS 1/4C X 1 3/4 |
| 5 | 539977884 | 2 | PIN, CLEVIS |
| 6 | 539977886 | 4 | BUSHING |
| 7 | 539977857 | 2 | LEVER, O.P. W/GRIP |
| 8 | 539100285 | 2 | DECAL, THUMB LATCH |
| 9 | 539914734 | 2 | PUSH NUT |
| 10 | 539990761 | 5 | 1/4C PREV. TORQUE NUT |
| 11 | 539976488 | 2 | GRIP HANDLE |
| 12 | 539923313 | 2 | ROLL PIN 5/16 X 1 1/8 |
| 13 | 539101791 | 2 | LEVER, MOLDED DRIVE |
| 14 | 539990692 | 2 | 5/16 FLAT WASHER |
| 15 | 539101986 | 2 | TRACTION ROD |
| 16 | 539976988 | 2 | COTTER, HAIRPIN #2 |
| 17 | 539101963 | 1 | THROTTLE CONTROL W/BALL |
| 18 | 539990302 | 2 | HWST 1/4C X 3/8 |
| 19 | 539990580 | 3 | HCS 1/4C X 3/4 |
| 20 | 539990655 | 1 | HCS 3/8C X 1 1/2 |
| 21 | 539101781 | 1 | MODULE |
| 22 | 539101984 | 1 | HANDLE HARNESS |
| 23 | 539101935 | 1 | DECAL, OPERATION |
| 24 | 539976526 | 1 | GRIP |
| 25 | 539100082 | 1 | LEVER |
| 26 | 539990517 | 2 | 3/8 FLAT WASHER |
| 27 | 539101219 | 2 | FIBER WASHER |
| 28 | 539912063 | 1 | CONE WASHER |
| 29 | 539990546 | 5 | 3/8C TORQUE NUT |
| 30 | 539990563 | 4 | HCS 3/8C X 1 |
| 31 | 539977465 | 1 | YOKE |
| 32 | 539916459 | 1 | RETAINER, RING |
| 33 | 539977703 | 1 | CLEVIS PIN |
| 34 | 539977250 | 2 | SPRING |
| 35 | 539919098 | 3 | SWITCH |
| 36 | 539101801 | 2 | O.P. LINKAGE |
| 37 | 539976952 | 6 | SCREW 10-24 X 5/8 |
| 38 | 539102062 | 1 | UPPER HANDLE W/DECALS |
| 39 | 539101891 | 1 | DECAL, OPERATION |
| 40 | 539101972 | 1 | BLADE ROD |
| 41 | 539102678 | 3 | TAPPED PLATE |

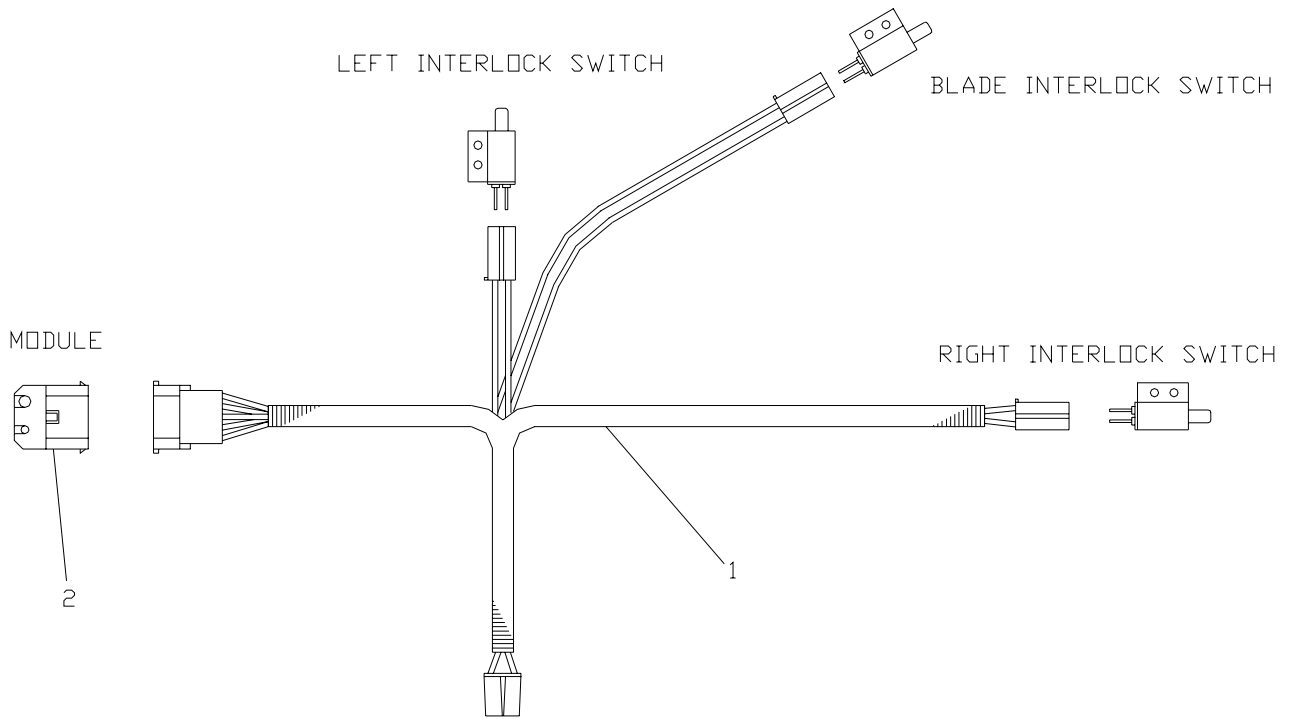
Front Caster Assembly



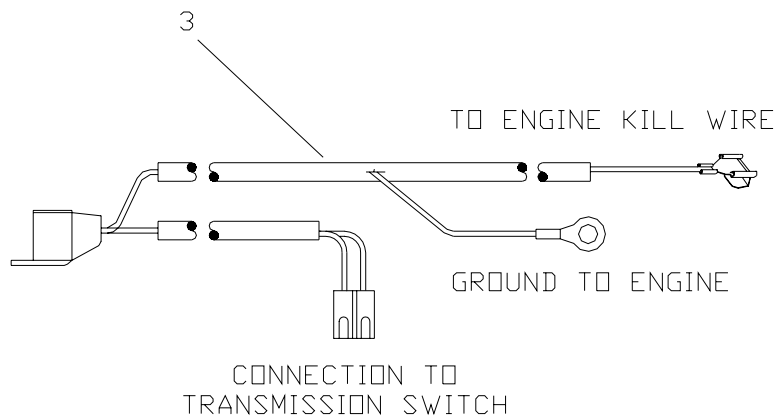
Front Caster Assembly

| ITEM | PART NO. | QTY. | DESCRIPTION |
|------|-----------|------|---|
| 1 | 539101874 | 1 | 7/16 LYNCH PIN |
| 2 | 539916561 | 1 | MACH. BUSHING |
| 3 | 539101873 | 5 | "C"-SPACER |
| 4 | 539101232 | 2 | FLANGE BUSHING |
| 5 | 539104555 | 1 | CASTER ARM W/BUSHING |
| 6 | 539976997 | 1 | ZERK 1/8 NPT |
| 7 | 539104554 | 1 | CASTER YOKE |
| 8 | 539101331 | 1 | 1/2C NYLOC NUT |
| 9 | 539101907 | 1 | HCS 1/2C X 5 1/2 |
| 10 | 539101872 | 1 | SPACER |
| 11 | 539912234 | 1 | AIR VALVE |
| 12 | 539977356 | 1 | NOTCHED ENDCAP |
| 13 | 539923557 | 1 | ENDCAP |
| 14 | 539977353 | 2 | ROLLER BEARING |
| 15 | 539990546 | 3 | HLN 3/8C |
| 16 | 539104618 | 1 | RIM |
| 17 | 539101905 | 1 | 9" TIRE |
| 18 | 539104556 | 1 | TIRE & WHEEL ASS. |
| 19 | 539990563 | 3 | HCS 3/8C X 1 |
| 20 | 539990517 | 3 | FW 3/8 STD |
| 21 | 539104559 | 1 | FRONT WHEEL CASTER ASM. KIT (INCLUDES ITEMS 1 THRU 20) |

Wiring Harness



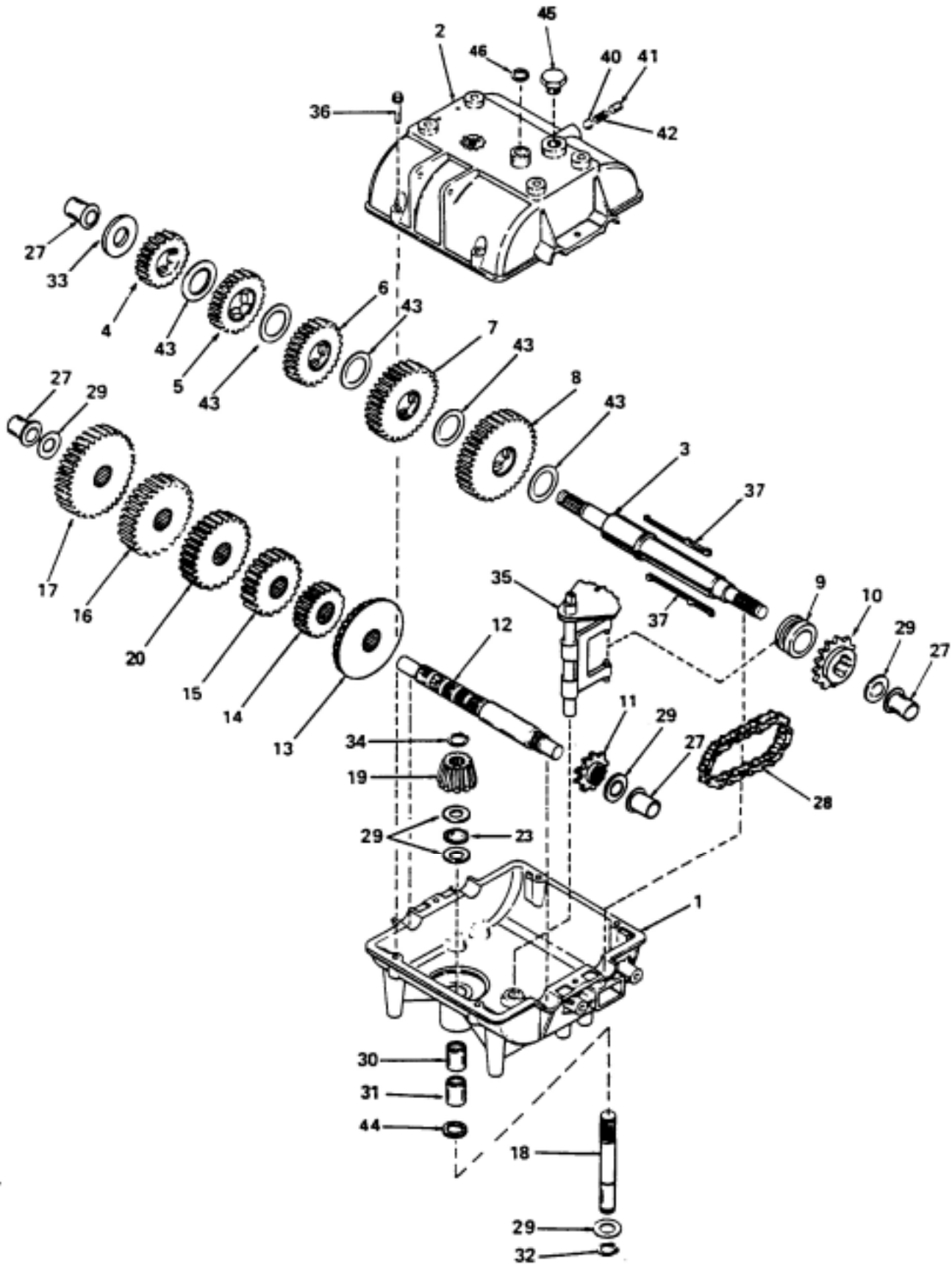
GROUND HARNESS KOHLER



Wiring Harness

| ITEM | PART NO. | QTY. | DESCRIPTION |
|------|-----------|------|----------------|
| 1 | 539101984 | 1 | HANDLE HARNESS |
| 2 | 539101781 | 1 | MODULE |
| 3 | 539104991 | 1 | GROUND HARNESS |

Transmission Assembly



Transmission Assembly

| ITEM | PART NO. | QTY. | DESCRIPTION |
|------|-----------|------|---|
| 1 | 539102075 | 1 | TRANSMISSION CASE |
| 2 | 539100371 | 1 | TRANSMISSION COVER |
| 3 | 539102179 | 1 | OUTPUT & BRAKE SHAFT |
| 4 | 539102077 | 1 | SPUR GEAR (27 TEETH) |
| 5 | 539100377 | 1 | SPUR GEAR (30 TEETH) |
| 6 | 539102078 | 1 | SPUR GEAR (32 TEETH) |
| 7 | 539100376 | 1 | SPUR GEAR (35 TEETH) |
| 8 | 539102079 | 1 | SPUR GEAR (37 TEETH) |
| 9 | 539977561 | 1 | SHIFT COLLAR |
| 10 | 539977562 | 1 | SPROCKET (18 TEETH) |
| 11 | 539977563 | 1 | SPROCKET (9 TEETH) |
| 12 | 539977564 | 1 | COUNTERSHAFT |
| 13 | 539977565 | 1 | BEVEL GEAR (42 TEETH) |
| 14 | 539102080 | 1 | SPUR GEAR (12 TEETH) |
| 15 | 539102081 | 1 | SPUR GEAR (15 TEETH) |
| 16 | 539100382 | 1 | SPUR GEAR (20 TEETH) |
| 17 | 539102082 | 1 | SPUR GEAR (23 TEETH) |
| 18 | 539977571 | 1 | INPUT SHAFT |
| 19 | 539100372 | 1 | INPUT BEVEL PINION |
| 20 | 539102083 | 1 | SPUR GEAR (18 TEETH) |
| 23 | 539100374 | 1 | THRUST BEARING |
| 27 | 539977573 | 4 | FLANGED BUSHING |
| 28 | 539977574 | 1 | ROLLER CHAIN (NO.41 CHAIN, 24 LINKS) |
| 29 | 539977575 | 6 | THRUST WASHER |
| 30 | 539977592 | 1 | NEEDLE BEARING |
| 31 | 539977576 | 1 | NEEDLE BEARING |
| 32 | 539977577 | 1 | RETAINING RING |
| 33 | 539102084 | 1 | THRUST WASHER |
| 34 | 539977579 | 1 | RETAINING RING |
| 35 | 539102180 | 1 | SHIFT ROD & FORK |
| 36 | 539977581 | 6 | SCREW, FLANGED HEX HD. THREADFORMING 1/4-20 X 1-1/4" |
| 37 | 539977582 | 4 | KEY |
| 40 | 539977583 | 1 | STEEL BALL, 5/16" |
| 41 | 539977584 | 1 | SET SCREW, 3/8-16 X 3/8" |
| 42 | 539977585 | 1 | SPRING |
| 43 | 539977586 | 5 | THRUST WASHER |
| 44 | 539977587 | 1 | "O" RING |
| 45 | 539100148 | 1 | THREADED PLUG |
| 46 | 539100388 | 1 | SQUARE CUT SEAL |
| 47 | 539102162 | 1 | COMPLETE TRANSMISSION |

 **Husqvarna**