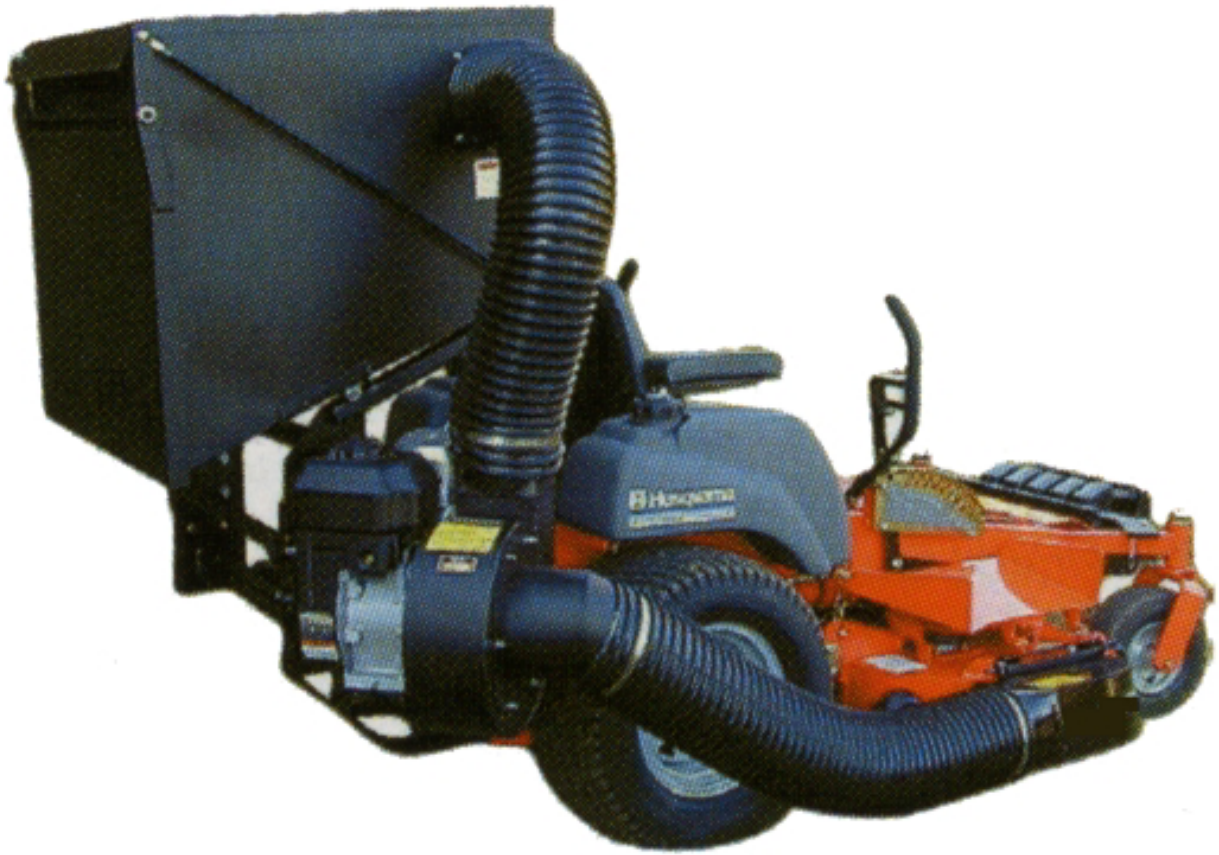


Husqvarna



Model: CZ 14
Parts Manual

Decals

Safety and Instruction Decals

The following decals are found on the CZ14 Collection System. If any are missing or not legible, replace them before putting the equipment into operation.

1



2



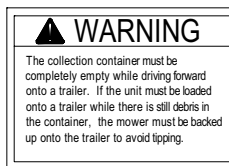
3



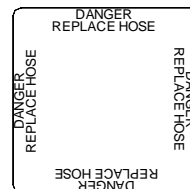
4



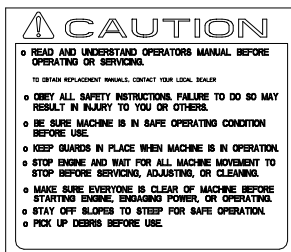
5



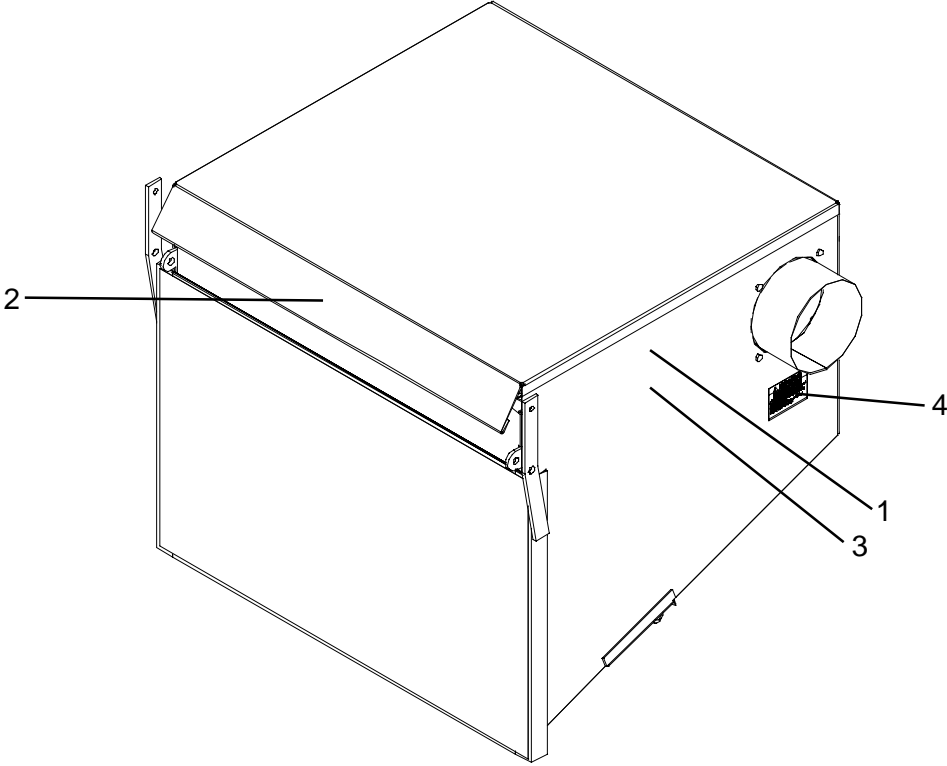
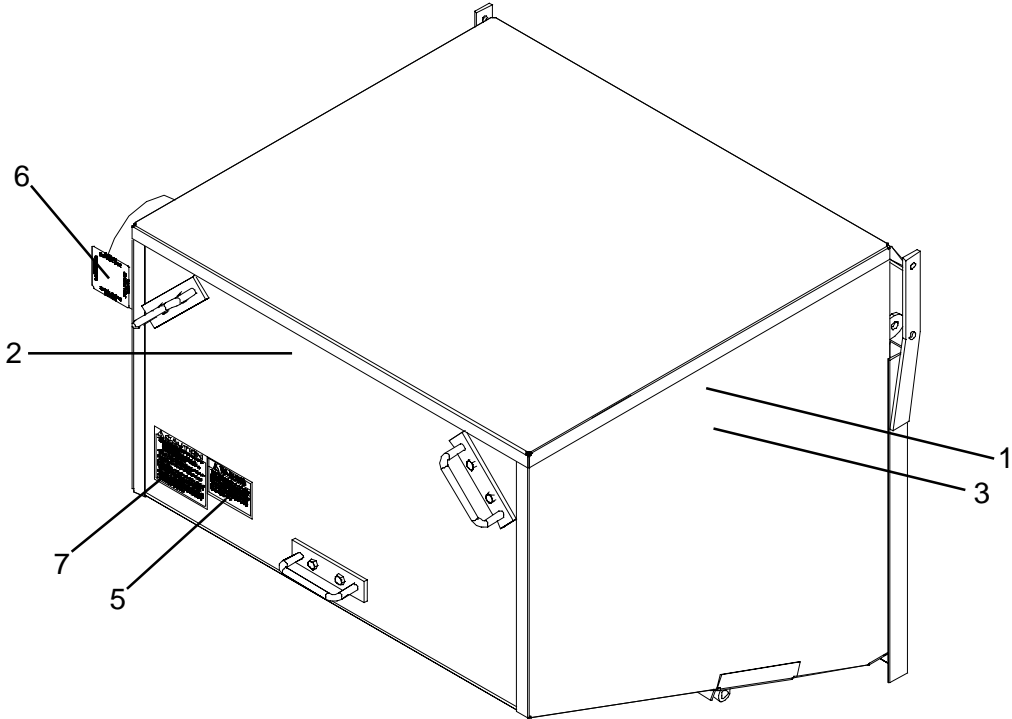
6



7

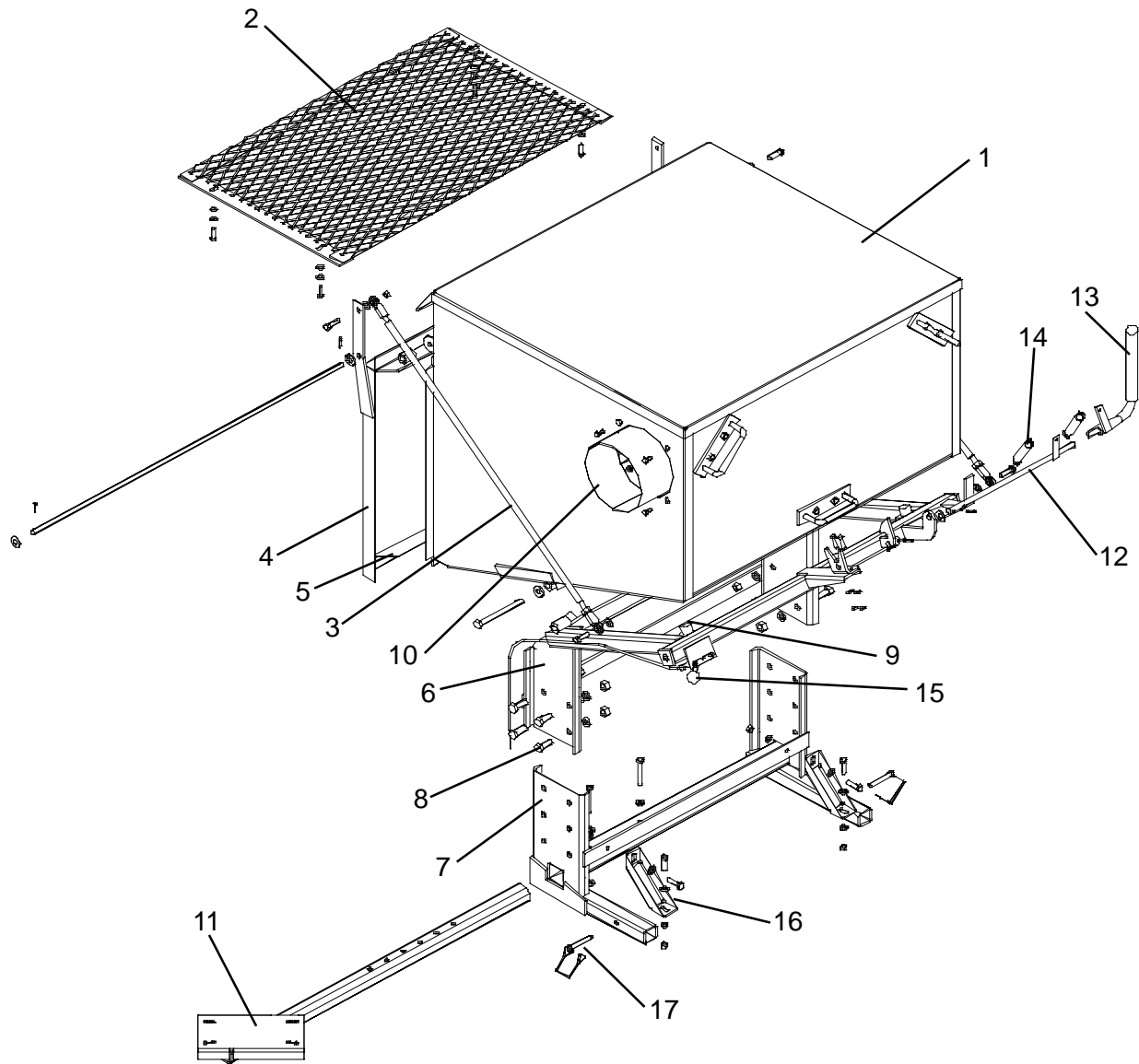


Decal Placement



Replacement Parts

Unit Assembly



Replacement Parts

Item	Part No.	Description
1	540063001	Collection container - includes container (1 ea), inlet (1 ea), U-Handles (3 ea) (exhaust screen not included)
2	540063023	Exhaust Screen (for container) - includes 1/4-20 x 1" wing screws (4)
3	540063003	Arm, container - includes rod ends (2 ea), 3/8" - 24 hex nut (1 ea), 3/8" - 16 x 1 1/4" hex bolt (2 ea), 3/8" flat washer (4 ea), 3/8" - 16 hex nut (1 ea)
4	540063004	Door, Container - includes door, door pin 36 7/8", 1/2" flat washers (2 ea), 3/32" x 3/4" cotter pin (2 ea), spacers (2 ea), trim seal (9.25')
5	540063005	Trim Seal (sold by the foot.)
6	540063006	Frame, upper - includes Bumpers (4 ea), 5/16" - 18 hex nuts (4 ea)
7	540063007	Frame, lower
8	540063008	Frame attachment kit - Includes hardware to attach the upper and lower frames to the container - 1/2" - 13 hex nut (8 ea), 1/2" split lock washers (8 ea), 1/2" - 13 x 4-1/2" hex bolts (2 ea), 1/2" flat washer (4 ea), 1/2" - 13 hex nylock nuts (2 ea), 1/2" - 13 x 1-1/4" hex bolts (8 ea)
9	540063009	Bumpers (2 ea), 5/16 - 18 hex nuts (2 ea)
10	540063010	Inlet 7" - includes 1/4" - 20 x 5/8" hex bolts (4 ea), 1/4" - 20 lock hex nut (4 ea)
11	540063011	Engine Mount - includes mount, 3/8" - 16 x 2 1/2" hex bolt (2 ea), 3/8" flat washer (4 ea), 3/8" - 16 hex nut (2 ea)
12	540063012	Latch for container - includes latch base (1 ea), latch catch (1 ea), latch rod (1 ea), 1/4" - 20 x 1" hex bolt (2 ea), 1/4" - 20 lock nuts (2 ea), 1/4" flat washers (2ea), 1/2" flat washer (1 ea), 3/32" x 3/4" cotter pin (2 ea), 3/16 X 1" clevis pin (1 ea), spring (1 ea)
13	540063013	Latch lever - includes padded lever and spring (1 ea)
14	540063014	Spring (1 ea)
15	540063022	Throttle Cable Assembly - includes throttle assembly with knob, #10-24 x 3/4"
16	540063016	Hitch Bracket - includes bracket, 3/8" - 16 x 1 1/4" hex bolt (2 ea), 3/8" flat washer (2 ea), 3/8" split lock washer (2 ea), 3/8"- 16 hex nut (2 ea)
17	540063017	Wire Lock Pin
18	540063018	Decal Kit (see page 2)
19	540063019	Hose, Upper, 7" x 36" (not shown)
20	540063020	Hose, Lower, 7" x 54" (not shown)
21	540063021	Clamp, Hose (2 ea) (not shown). Two needed for complete unit.