



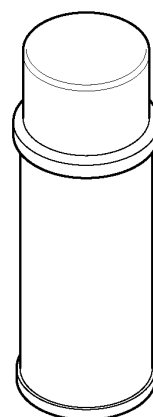
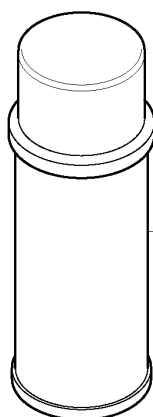
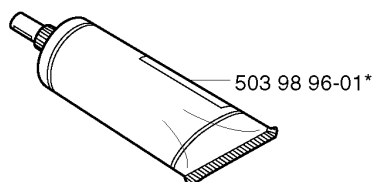
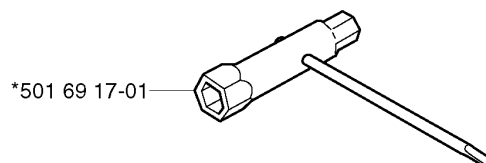
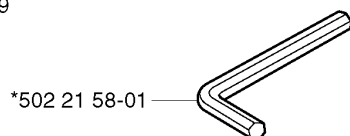
# SPARE PARTS LIST

HEDGE TRIMMERS/POLE HEDGE  
TRIMMERS

225 H60, 2002-06

**M** \*compl 502 21 60-09

**Accessories  
Zubehöre  
Accessoires  
Accesorios  
Tillbehör**

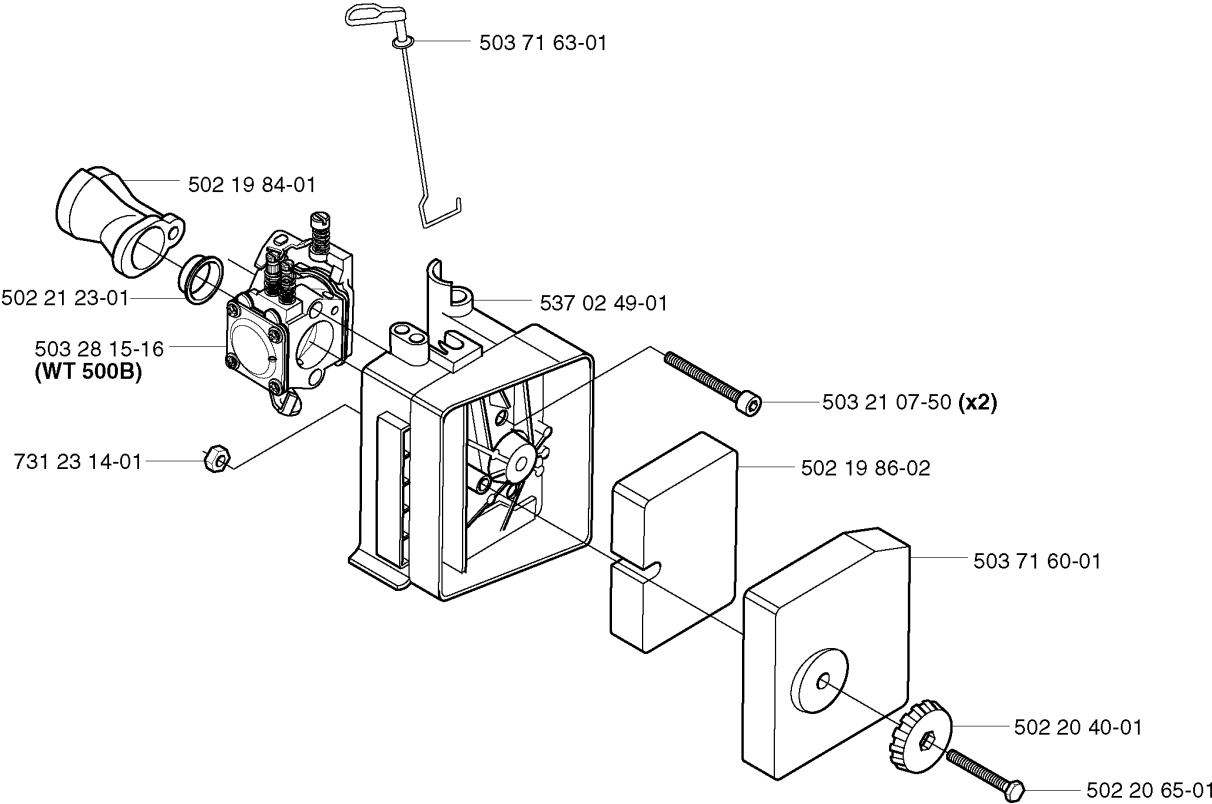


## ACCESSORIES

225 H60, 2002-06

Part No	Description	Remark	QTY KIT
501 69 17-01	COMBINATION WRENCH		1
502 21 58-01	L-NYCKEL		1
502 21 60-09	ACCESSORY BAG		1
503 98 96-01	GREASE		1
531 00 75-12	GREASE	UL21	1
531 00 75-13	GREASE	UL22	1

G



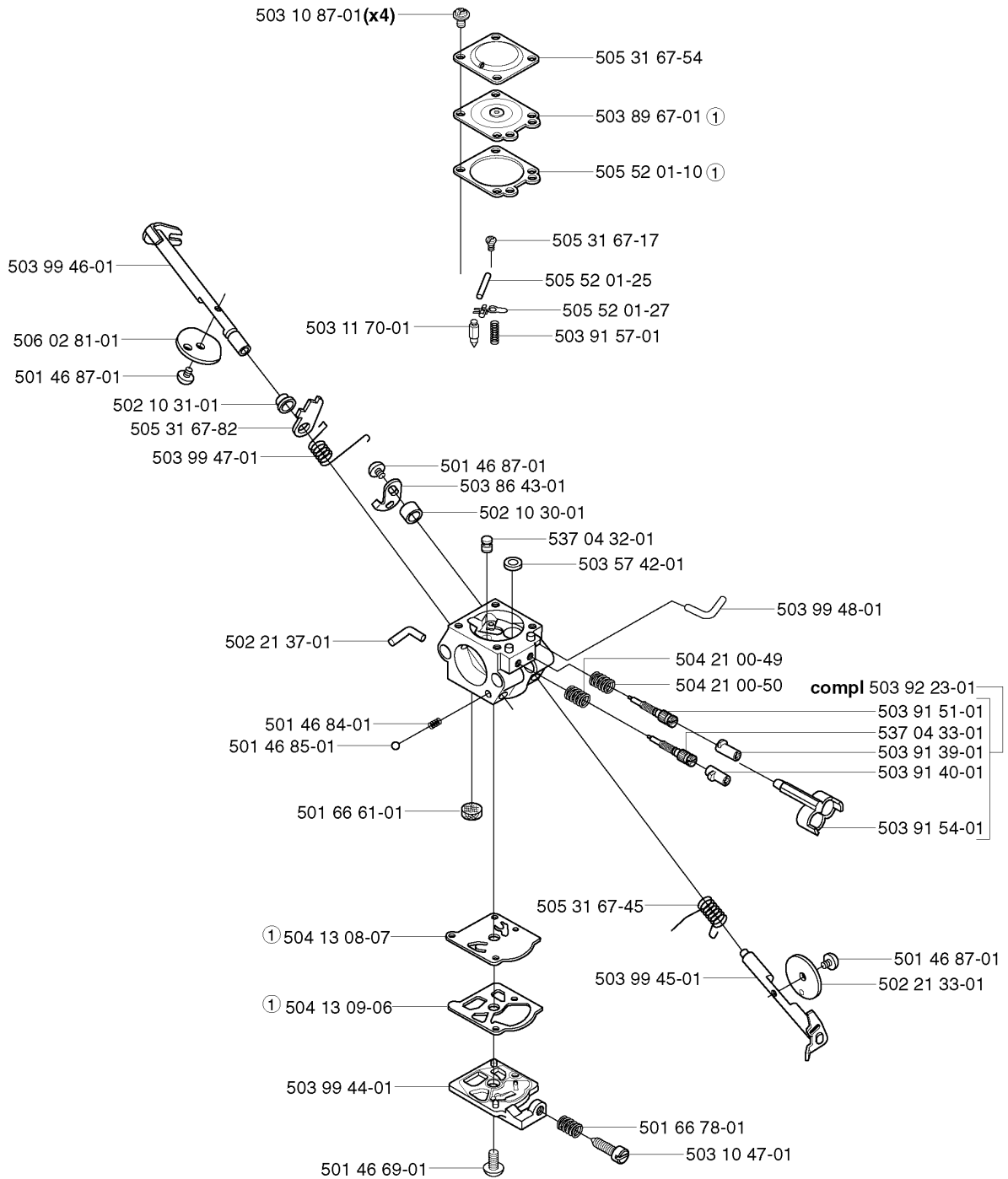
## CARBURETOR &amp; AIR FILTER

225 H60, 2002-06

Part No	Description	Remark	QTY KIT
502 19 84-01	INLET PIPE		1
502 19 86-02	AIR FILTER		1
502 20 40-01	KNOB		1
502 20 65-01	SCREW EHHM		1
502 21 23-01	SUPPORT RING		1
503 21 07-50	SCREW IHSCFT		2
503 28 15-16	CARBURETTOR	WT 500B	1
503 71 60-01	FILTER COVER		1
503 71 63-01	CHOKE CONTROL		1
537 02 49-01	FILTER HOLDER		1
731 23 14-01	HEXAGON NUT		1

**N** compl 503 28 15-16

**Walbro WT 500B**



① 530 03 51-73

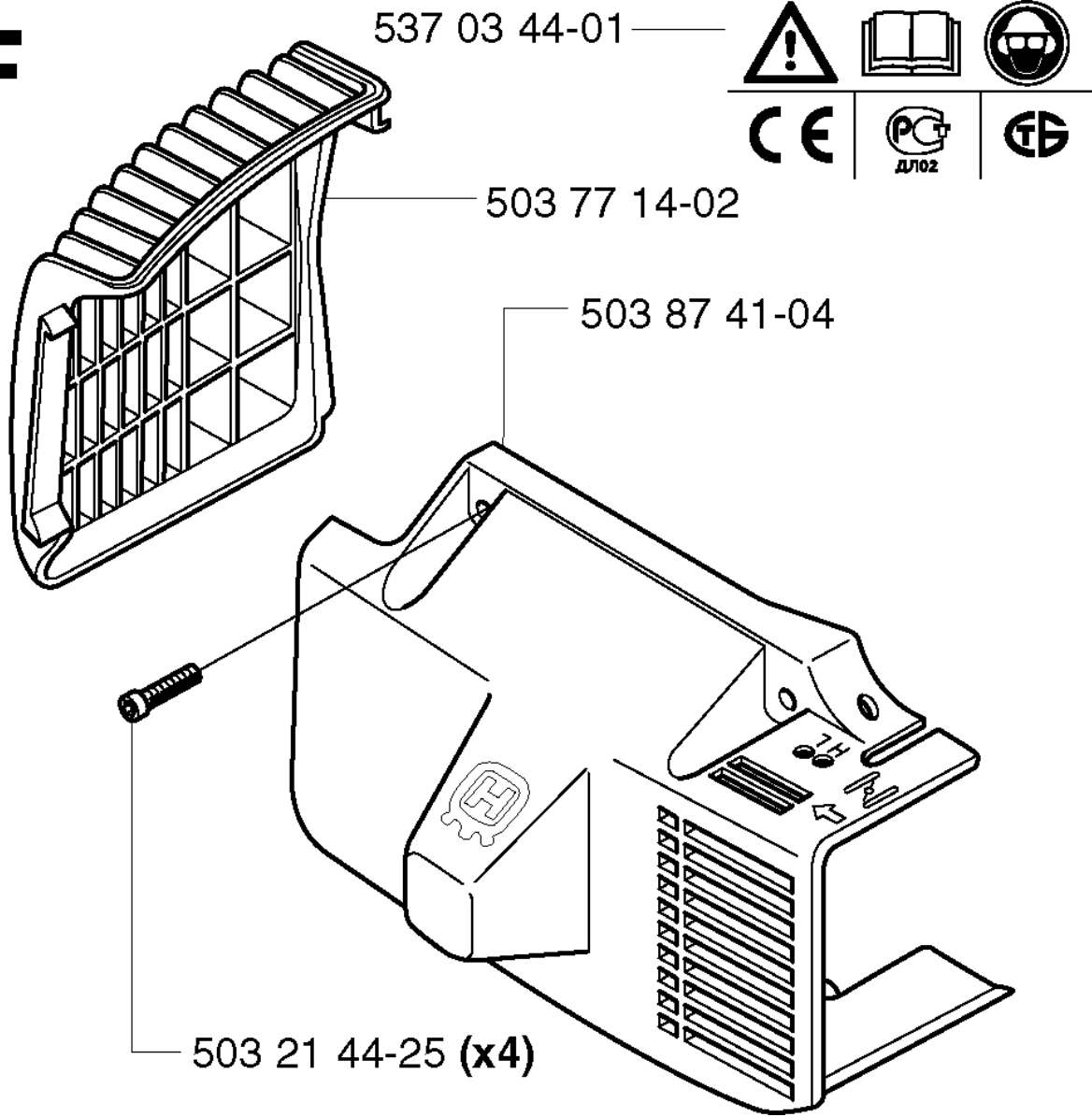
**Set of gaskets**  
**Dichtungssatz**  
**Jeu de joints**  
**Juego de juntas**  
**Packningssatz**

## CARBURETOR DETAILS

225 H60, 2002-06

Part No	Description	Remark	QTY KIT
501 46 69-01	SCREW		1
501 46 84-01	SPRING		1
501 46 85-01	BALL		1
501 46 87-01	SCREW		1
501 46 87-01	SCREW		1
501 46 87-01	SCREW		1
501 66 61-01	SCREEN		1
501 66 78-01	SPRING		1
502 10 30-01	DISTANCE		1
502 10 31-01	BUSHING		1
502 21 33-01	VALVE THROTTLE		1
502 21 37-01	FITTING		1
503 10 47-01	SCREW		1
503 10 87-01	SCREW		4
503 11 70-01	NEEDLE		1
503 28 15-16	CARBURETTOR		1
503 57 42-01	PLUG		1
503 86 43-01	LEVER		1
503 89 67-01	DIAPHRAGM	530 03 51-73 SET OF GASKETS	1
503 91 39-01	LIMITER CAP		1
503 91 40-01	LIMITER CAP		1
503 91 51-01	NEEDLE		1
503 91 54-01	RETAINER		1
503 91 57-01	SPRING		1
503 92 23-01	LIMITER CAP		1
503 99 44-01	COVER		1
503 99 45-01	SHAFT ASSY		1
503 99 46-01	SHAFT ASSY		1
503 99 47-01	SPRING		1
503 99 48-01	FITTING		1
504 13 08-07	DIAPHRAGM PUMP	530 03 51-73 SET OF GASKETS	1
504 13 09-06	GASKET	530 03 51-73 SET OF GASKETS	1
504 21 00-49	SPRING		1
504 21 00-50	SPRING		1
505 31 67-17	SCREW		1
505 31 67-45	SPRING		1
505 31 67-54	LOCK STYRMEMBRAN		1
505 31 67-82	LEVER		1
505 52 01-10	GASKET	530 03 51-73 SET OF GASKETS	1
505 52 01-25	PIN-METERING LEVER		1
505 52 01-27	LEVER		1
506 02 81-01	VALVE		1
537 04 32-01	NOZZLE ASSY		1
537 04 33-01	NEEDLE		1

**F**



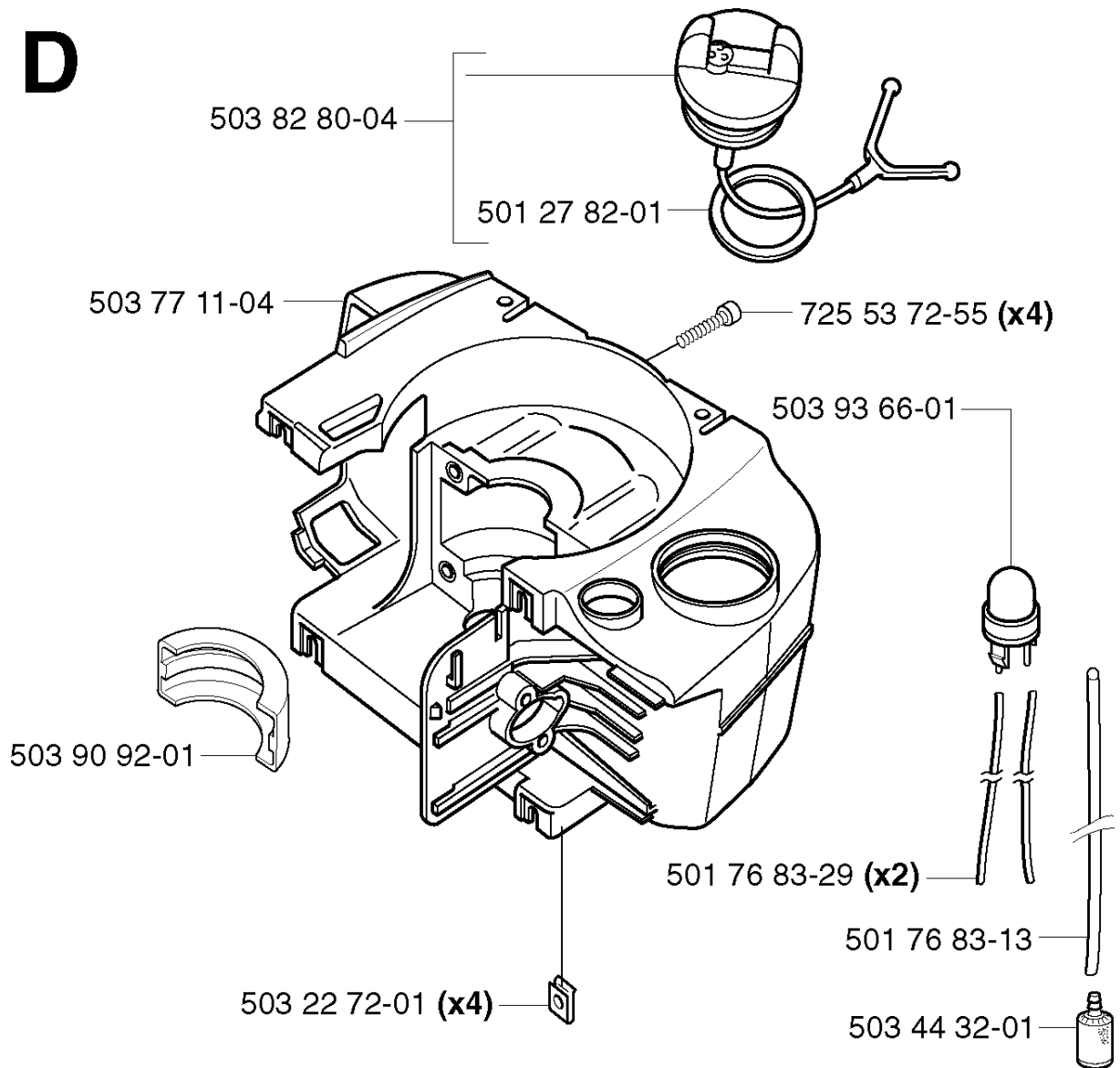


COVER

225 H60, 2002-06

Part No	Description	Remark	QTY KIT
503 21 44-25	SCREW IHSCFTO		4
503 77 14-02	HEAT PROTECTOR		1
503 87 41-04	CYLINDER COVER		1
537 03 44-01	LABEL		1

**D**

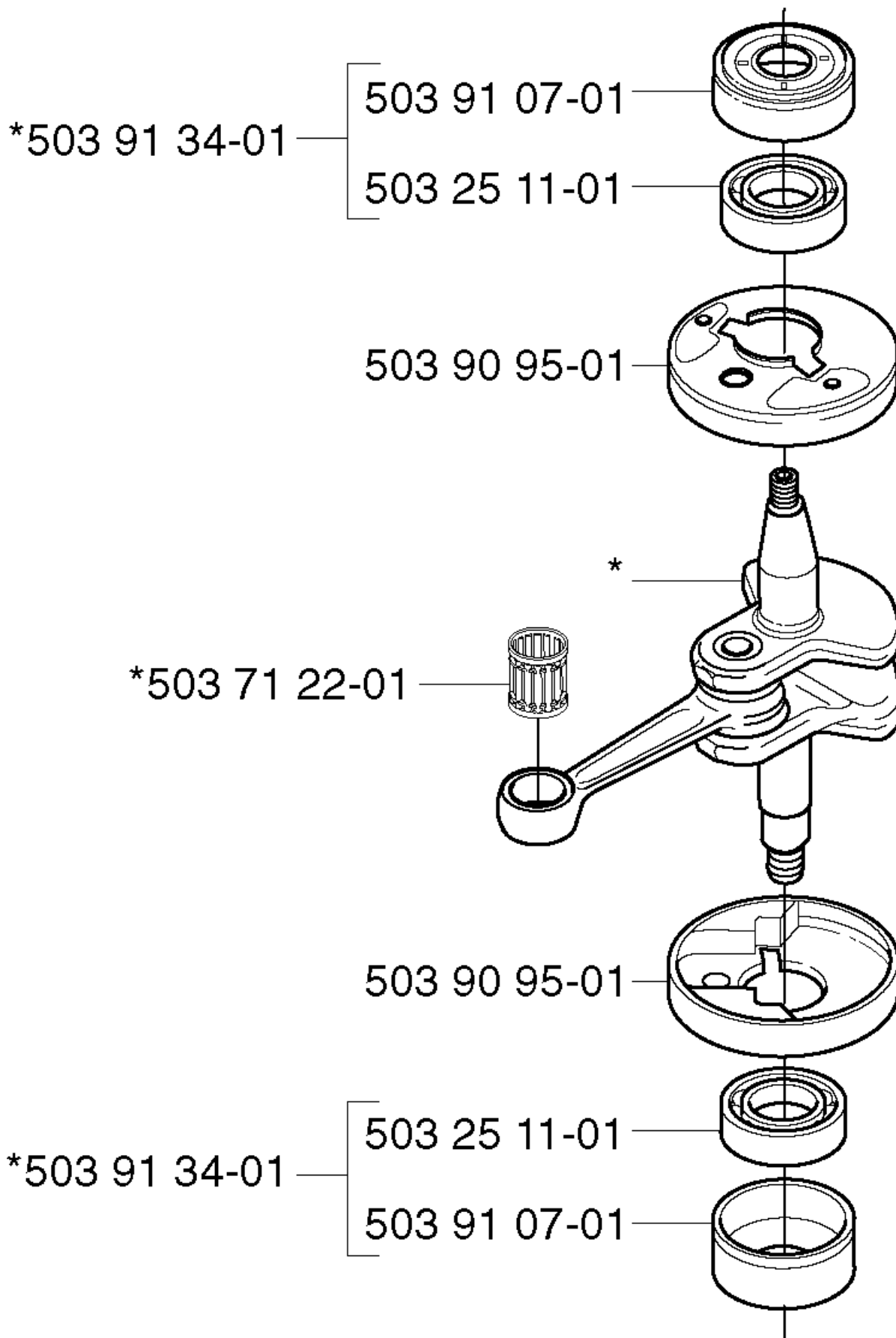


## CRANKCASE

225 H60, 2002-06

Part No	Description	Remark	QTY KIT
501 27 82-01	GASKET		1
501 76 83-13	FUEL HOSE		1
501 76 83-29	FUEL HOSE		2
503 22 72-01	SPEED NUT		4
503 44 32-01	FILTER		1
503 77 11-04	CRANKCASE		1
503 82 80-04	TANK CAP ASSY		1
503 90 92-01	INSERT		1
503 93 66-01	PRIMER HOUSING		1
725 53 72-55	SCREW IHSCM		4

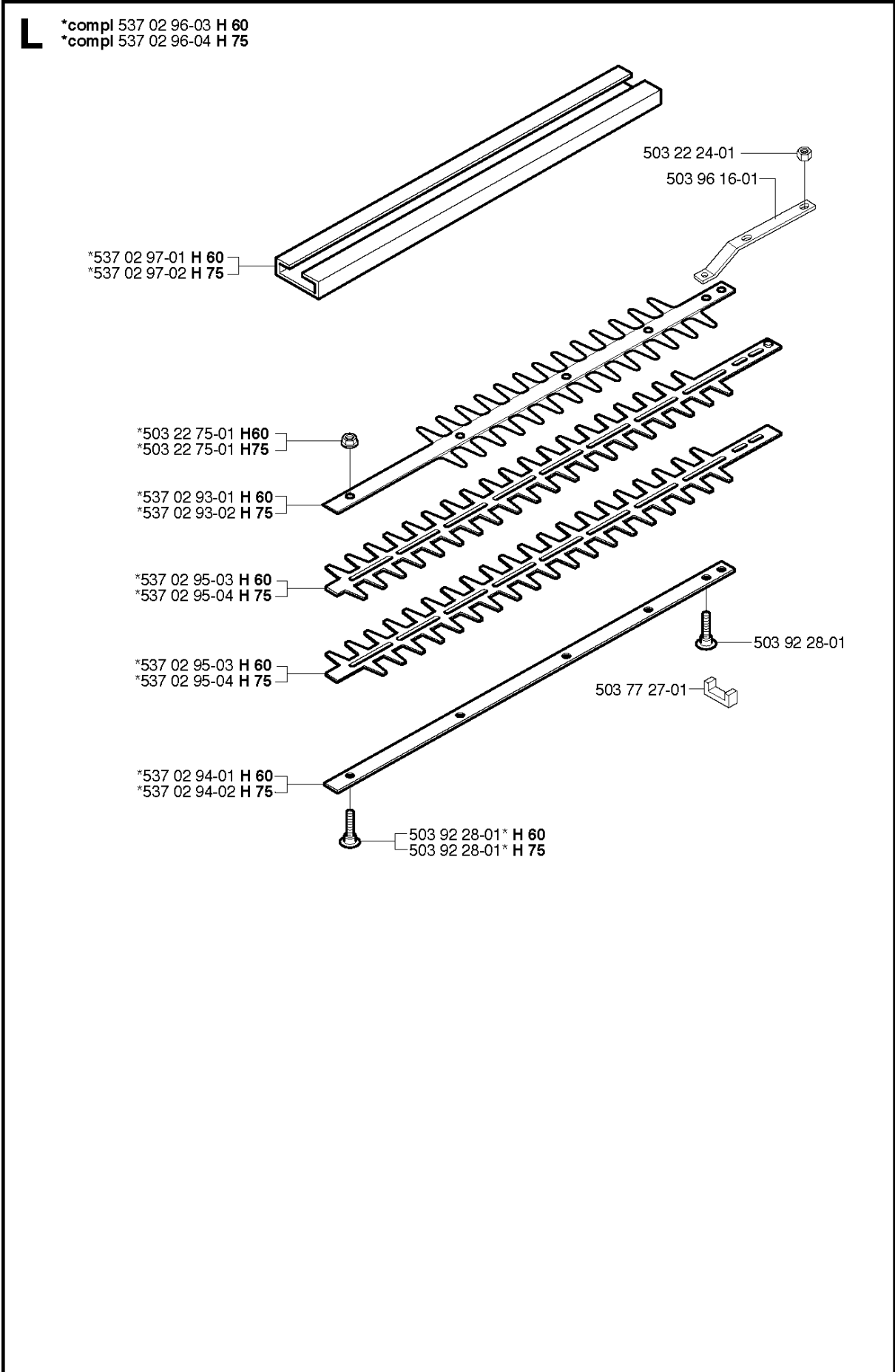
# C \*compl 503 72 44-04



## CRANKSHAFT

225 H60, 2002-06

Part No	Description	Remark	QTY KIT
503 25 11-01	BALL BEARING		1
503 25 11-01	BALL BEARING		1
503 71 22-01	BEARING		1
503 72 44-04	CRANKSHAFT ASSY		1
503 90 95-01	CUP		1
503 90 95-01	CUP		1
503 91 07-01	BEARING CAGE		1
503 91 07-01	BEARING CAGE		1
503 91 34-01	BEARING CAGE		1
503 91 34-01	BEARING CAGE		1

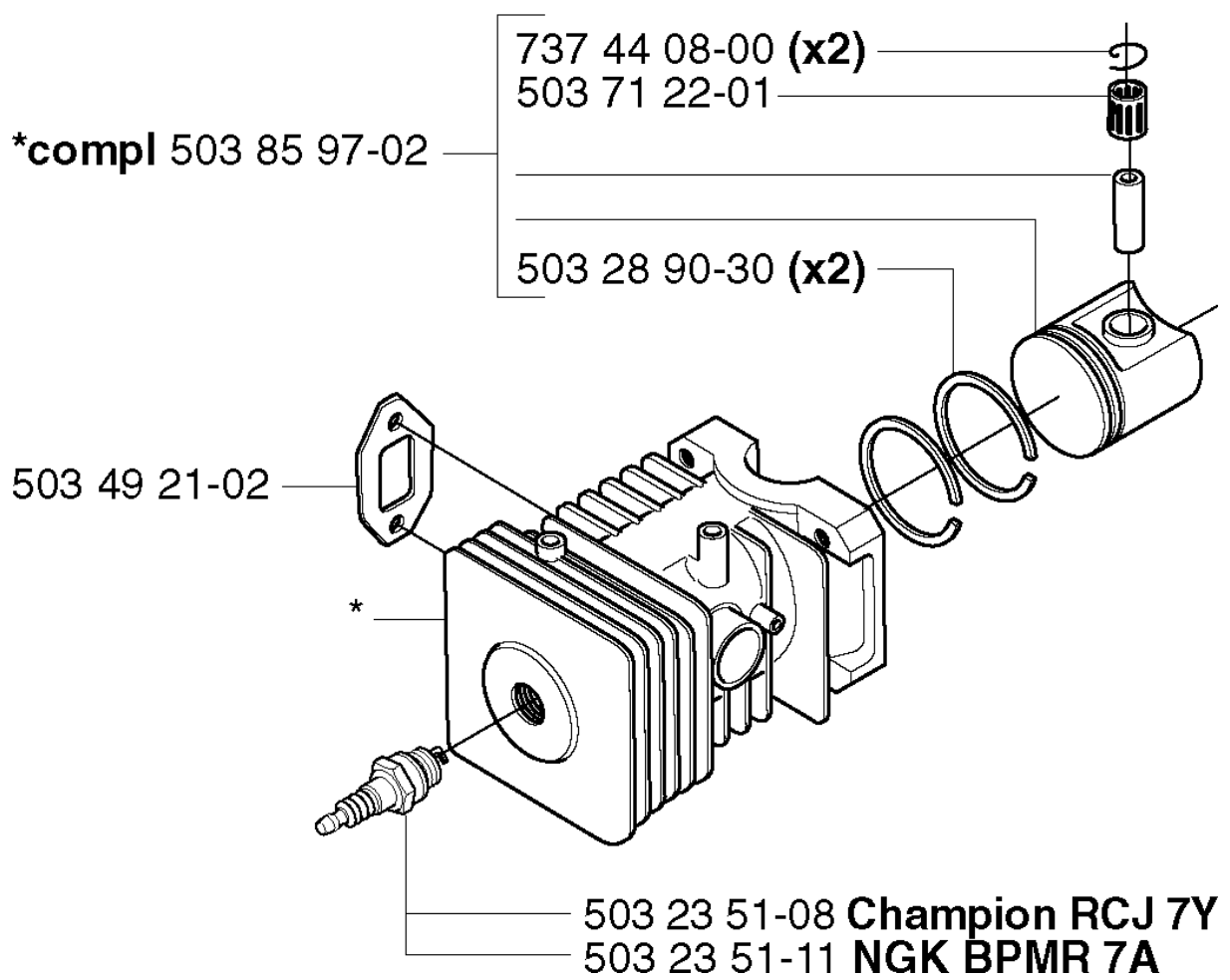


## CUTTING EQUIPMENT

225 H60, 2002-06

Part No	Description	Remark	QTY KIT
503 22 24-01	LOCK NUT		3
503 22 75-01	NUT	H60	4
503 22 75-01	NUT	H75	5
503 77 27-01	SEALING		1
503 92 28-01	SCREW	H 75	5
503 92 28-01	SCREW	H 60	4
503 92 28-01	SCREW		1
503 96 16-01	SUPPORT		1
537 02 93-01	PROTECTIVE PLATE	H 60	1
537 02 93-02	PROTECTIVE PLATE	H 75	1
537 02 94-01	BASEPLATE	H 60	1
537 02 94-02	BASEPLATE	H 75	1
537 02 95-03	BLADE	H 60, Qty in package only one	2
537 02 95-04	BLADE	H 75, Qty in package only one	2
537 02 96-03	CUTTING DECK	H 60	1
537 02 96-04	CUTTING DECK	H 75	1
537 02 97-01	PROTECTIVE COVER	H 60	1
537 02 97-02	PROTECTIVE COVER	H 75	1

# E \*compl 503 89 94-01



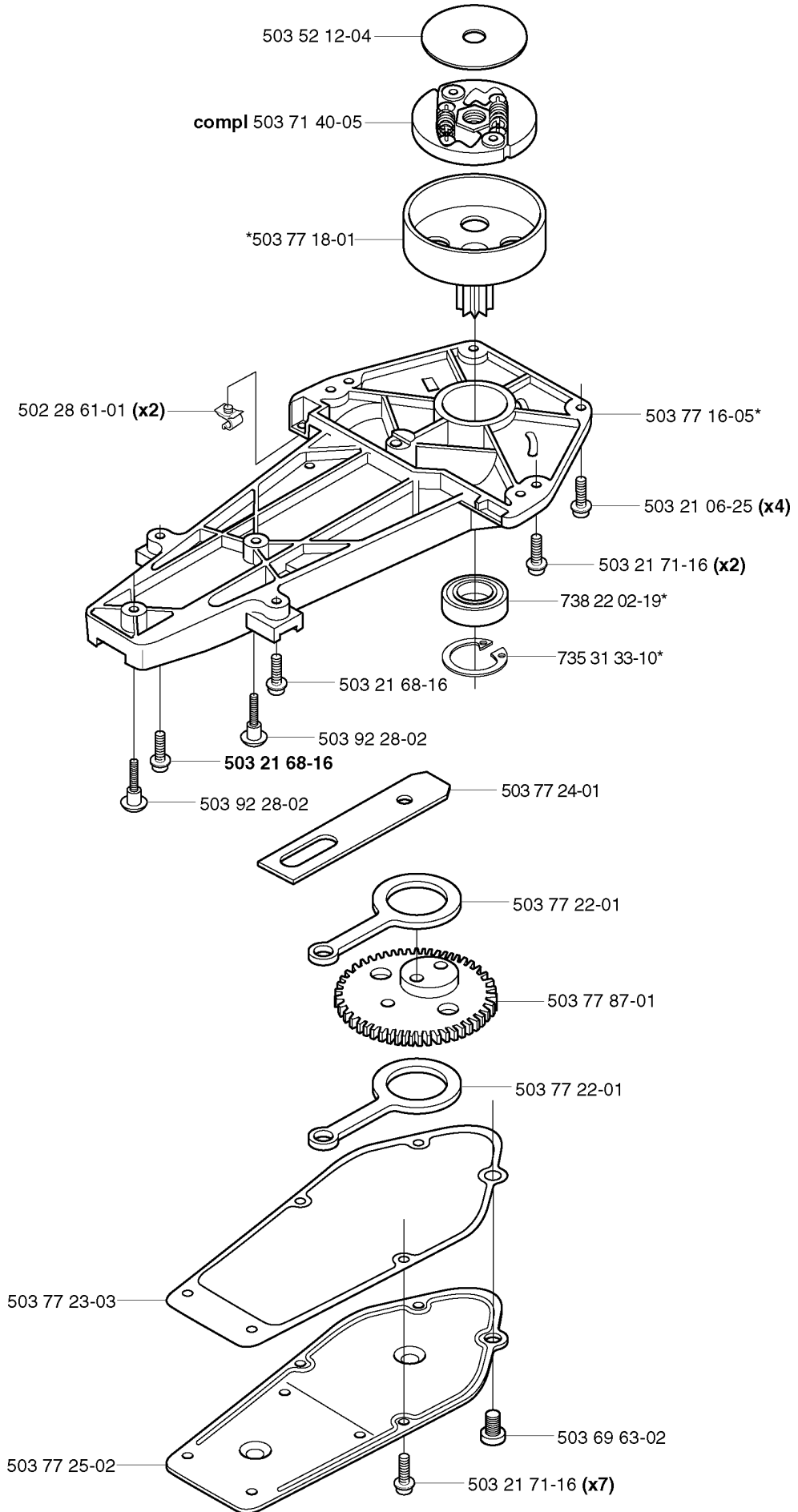


## CYLINDER PISTON

225 H60, 2002-06

Part No	Description	Remark	QTY KIT
503 23 51-08	SPARK PLUG	CHAMPION RCJ 7Y	1
503 23 51-11	SPARK PLUG	NGK BPMR 7A	1
503 28 90-30	PISTON RING		2
503 49 21-02	GASKET		1
503 71 22-01	BEARING		1
503 85 97-02	PISTON ASSY		1
503 89 94-01	CYLINDER ASSY		1
737 44 08-00	CIRCLIP		2

**J** \*compl 503 77 16-06

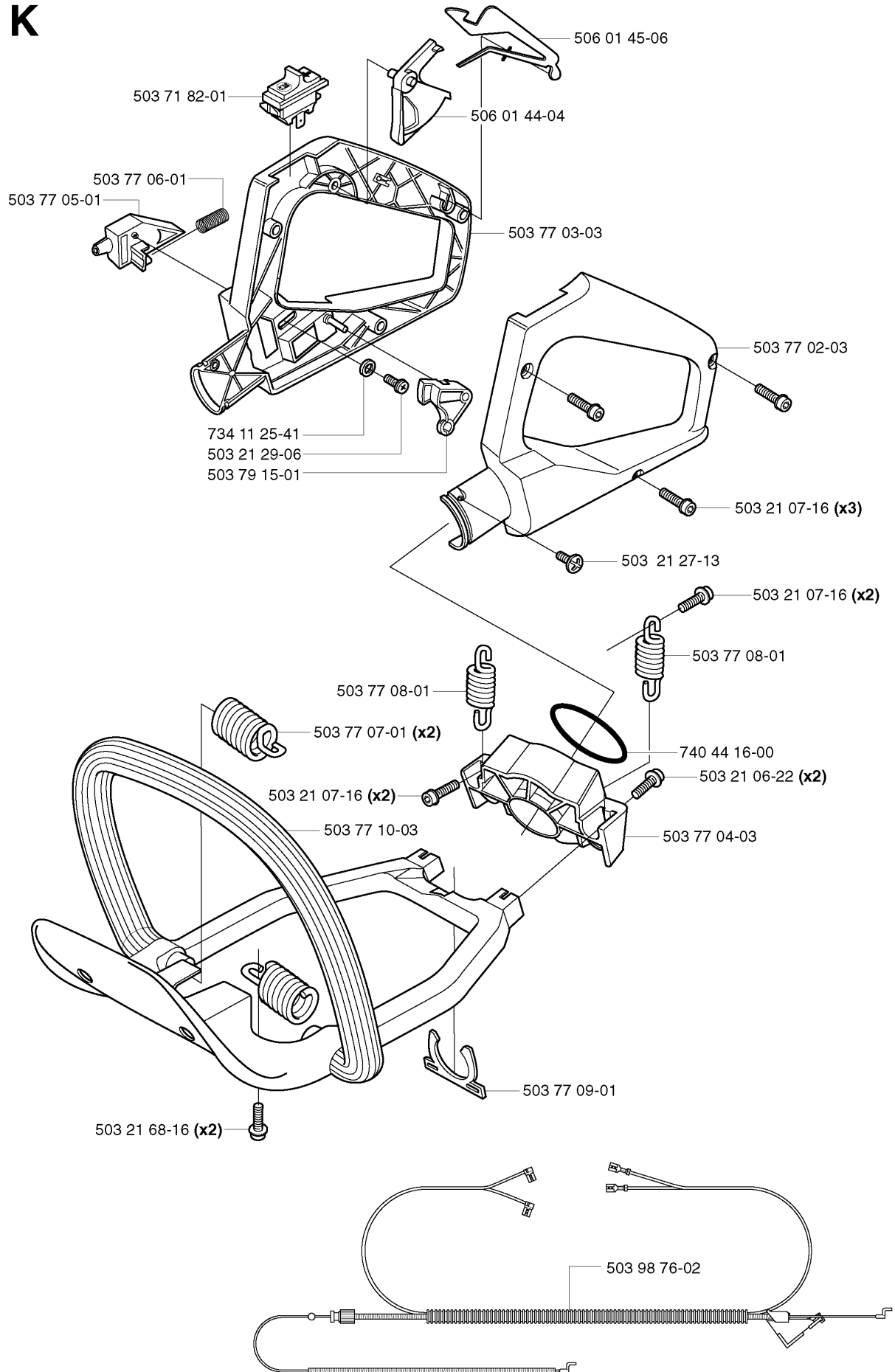


## GEAR HOUSING

225 H60, 2002-06

Part No	Description	Remark	QTY KIT
502 28 61-01	CLIP		2
503 21 06-25	SCREW IHSCFT		4
503 21 68-16	SCREW IHSCFT		1
503 21 68-16	SCREW IHSCFT		1
503 21 71-16	SCREW IHSCFT		7
503 21 71-16	SCREW IHSCFT		2
503 52 12-04	WASHER		1
503 69 63-02	PLUG		1
503 71 40-05	CLUTCH ASSY		1
503 77 16-05	GEAR HOUSING		1
503 77 16-06	GEAR HOUSING		1
503 77 18-01	CLUTCH DRUM ASSY		1
503 77 22-01	CONNECTING ROD		1
503 77 22-01	CONNECTING ROD		1
503 77 23-03	GASKET		1
503 77 24-01	WEAR PROTECTION		1
503 77 25-02	HUB CAP		1
503 77 87-01	ECCENTRIC		1
503 92 28-02	SCREW		1
503 92 28-02	SCREW		1
735 31 33-10	CIRCLIP		1
738 22 02-19	BALL BEARING		1

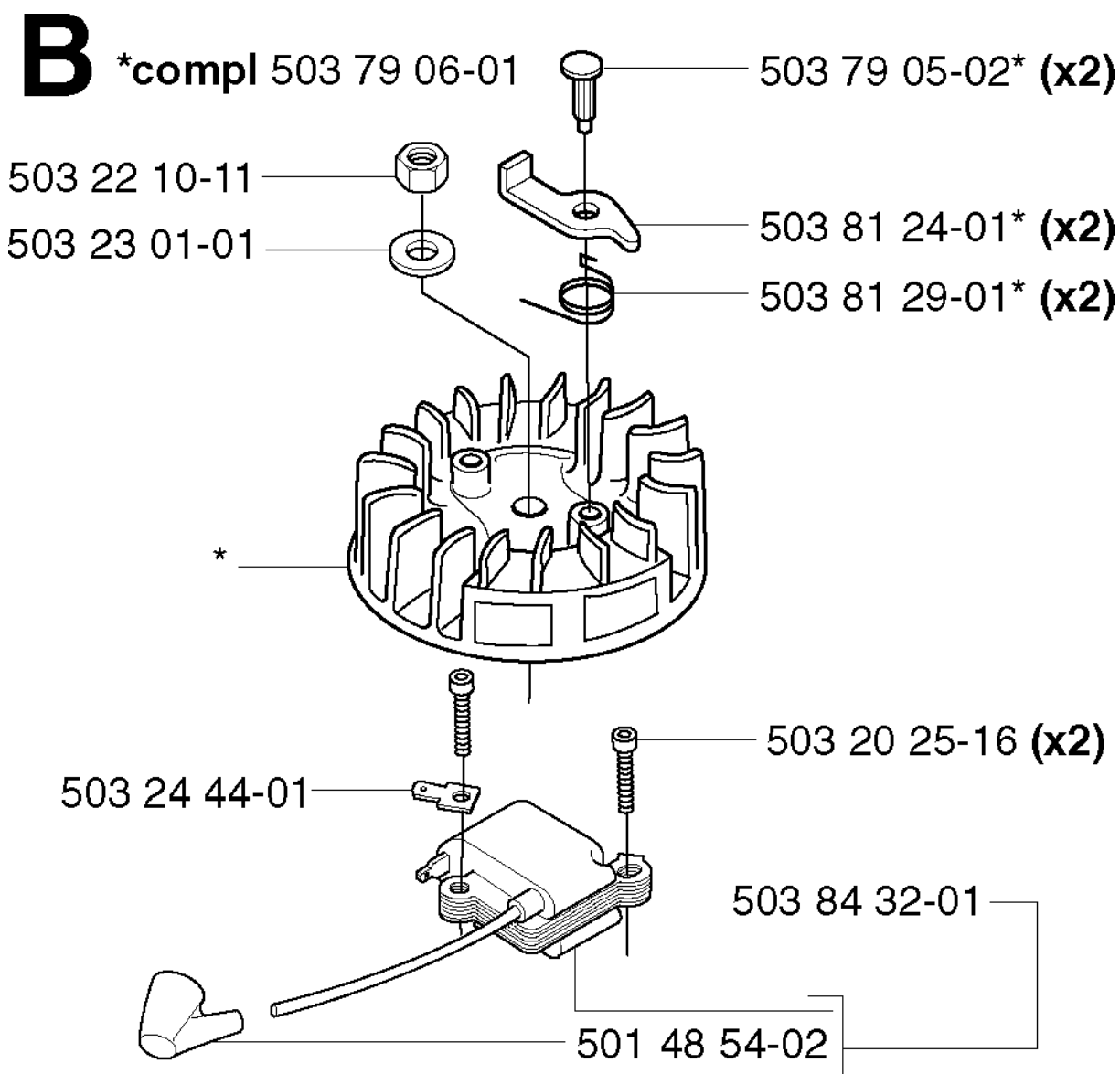
# K



## HANDLE &amp; CONTROLS

225 H60, 2002-06

Part No	Description	Remark	QTY KIT
503 21 06-22	SCREW IHSCT		2
503 21 07-16	SCREW IHSCT		2
503 21 07-16	SCREW IHSCT		2
503 21 07-16	SCREW IHSCT		3
503 21 27-13	SCREW CCRPANT		1
503 21 29-06	SCREW CCRPANT		1
503 21 68-16	SCREW IHSCT		2
503 71 82-01	SWITCH		1
503 77 02-03	HANDLE HALF		1
503 77 03-03	HANDLE HALF		1
503 77 04-03	SPRING RETAINER		1
503 77 05-01	LOCKING BUTTON		1
503 77 06-01	RECOIL SPRING		1
503 77 07-01	ANTIVIBRATION ELEMENT		2
503 77 08-01	ANTIVIBRATION ELEMENT		1
503 77 08-01	ANTIVIBRATION ELEMENT		1
503 77 09-01	SECURING PLATE		1
503 77 10-03	FRONT HANDLE		1
503 79 15-01	LATCH		1
503 98 76-02	WIRING ASSY		1
506 01 44-04	THROTTLE TRIGGER		1
506 01 45-06	THROTTLE LOCKOUT		1
734 11 25-41	WASHER		1
740 44 16-00	O-RING		1

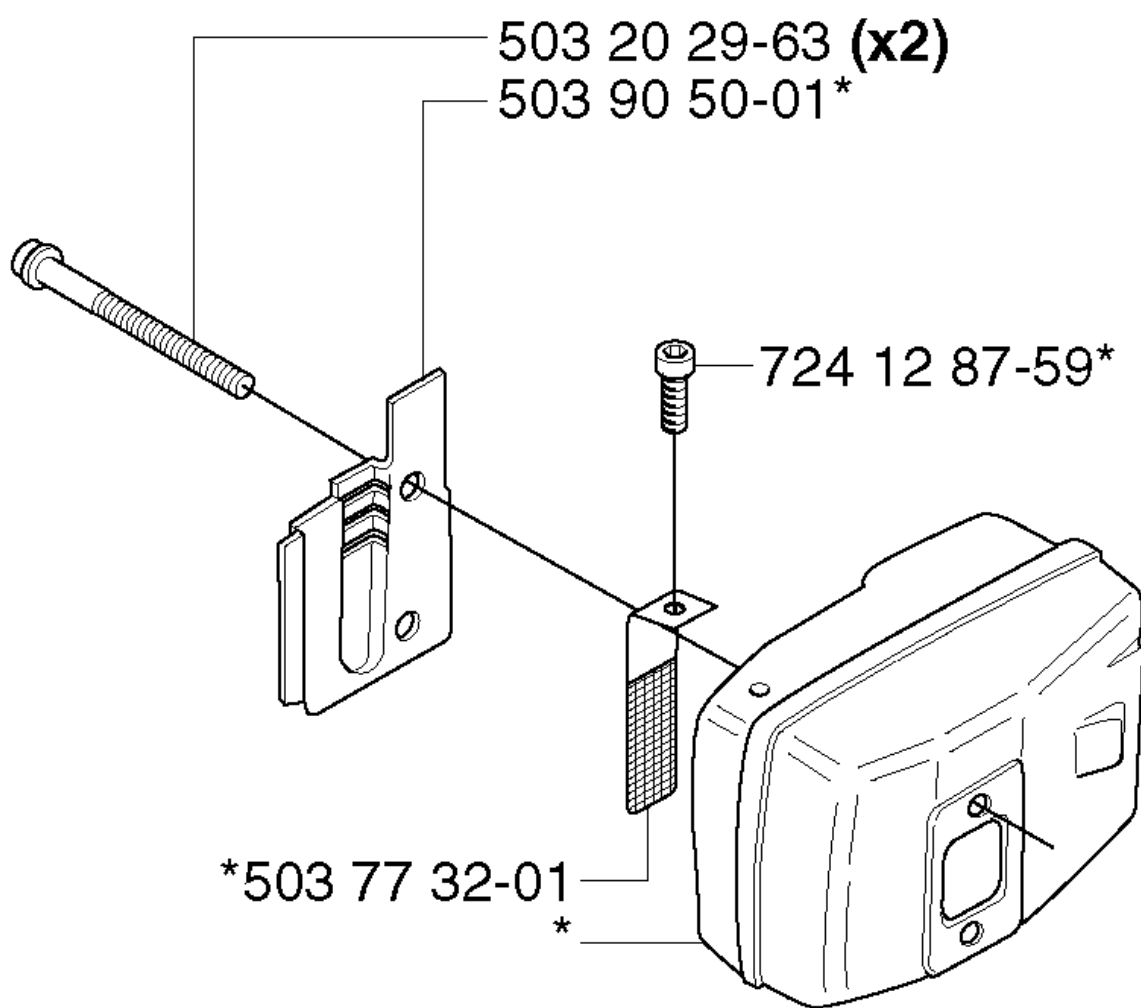


## IGNITION SYSTEM

225 H60, 2002-06

Part No	Description	Remark	QTY KIT
501 48 54-02	SPARK PLUG CAP		1
503 20 25-16	SCREW IHSCM		2
503 22 10-11	HEXAGON NUT		1
503 23 01-01	WASHER		1
503 24 44-01	FLAT PIN		1
503 79 05-02	RIVET		2
503 79 06-01	FLYWHEEL		1
503 81 24-01	STARTER PAWL		2
503 81 29-01	SPRING		2
503 84 32-01	ELECTRONIC MODULE		1

# A \*compl 503 90 48-01



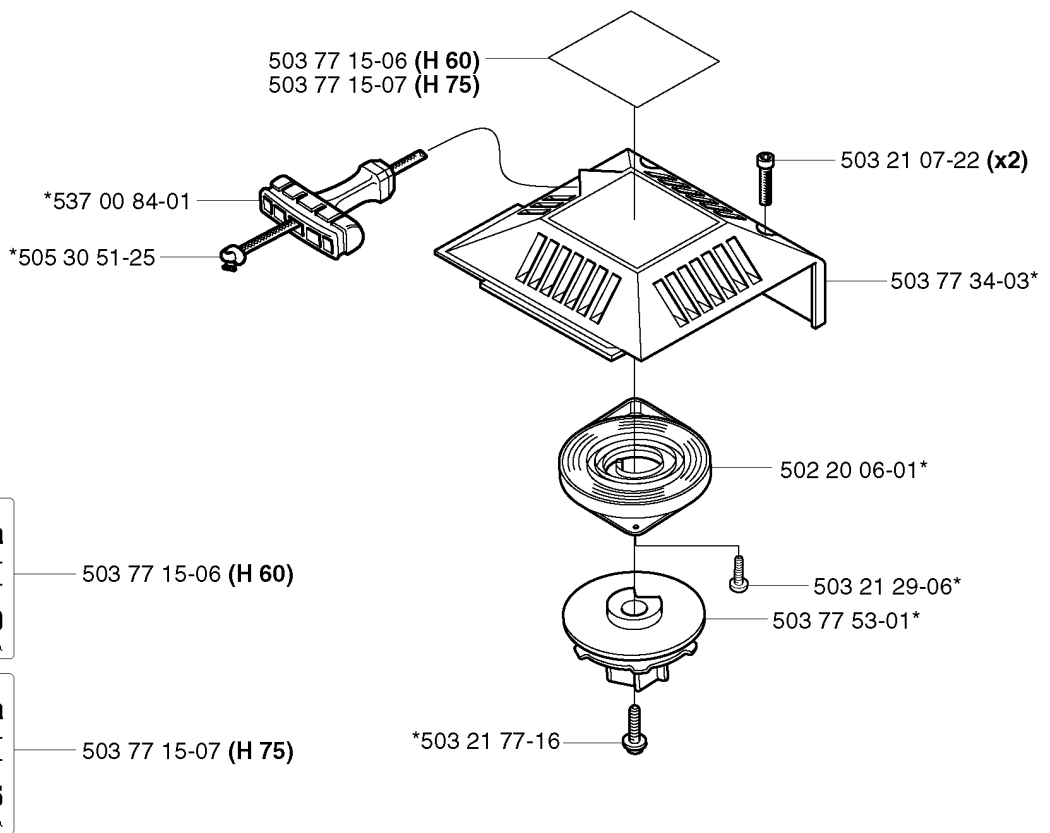


## MUFFLER

225 H60, 2002-06

Part No	Description	Remark	QTY KIT
503 20 29-63	SCREW IHSCFM		2
503 77 32-01	SPARK ARRESTER		1
503 90 48-01	MUFFLER ASSY		1
503 90 50-01	EXHAUST DUCT		1
724 12 87-59	SCREW CRPANM		1

**H** \*compl 503 77 34-02



## STARTER

225 H60, 2002-06

Part No	Description	Remark	QTY KIT
502 20 06-01	SPRING CASSETTE ASSY		1
503 21 07-22	SCREW IHSCT		2
503 21 29-06	SCREW CCRPANT		1
503 21 77-16	SCREW IHSCT		1
503 77 15-06	LABEL	H 60	1
503 77 15-06	LABEL	H 60	1
503 77 15-07	LABEL	H 75	1
503 77 15-07	LABEL	H 75	1
503 77 34-02	STARTER		1
503 77 34-03	STARTER		1
503 77 53-01	STARTER PULLEY		1
505 30 51-25	STARTER CORD		1
537 00 84-01	STARTER HANDLE		1