

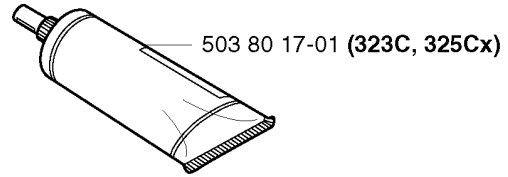
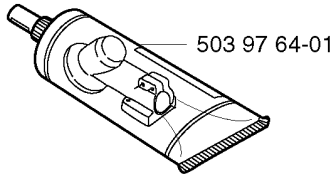
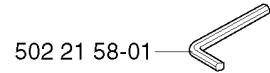
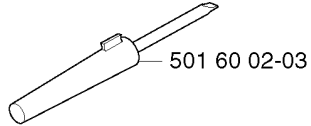
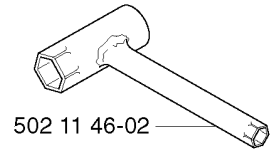
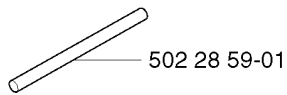


SPARE PARTS LIST

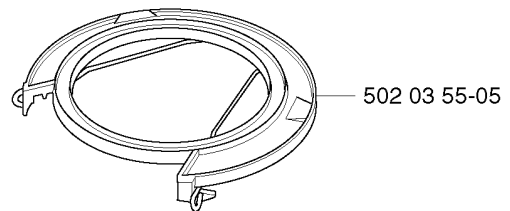
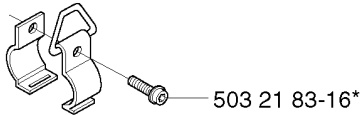
BRUSHCUTTERS/CLEARING SAWS

323 R, 2002-01

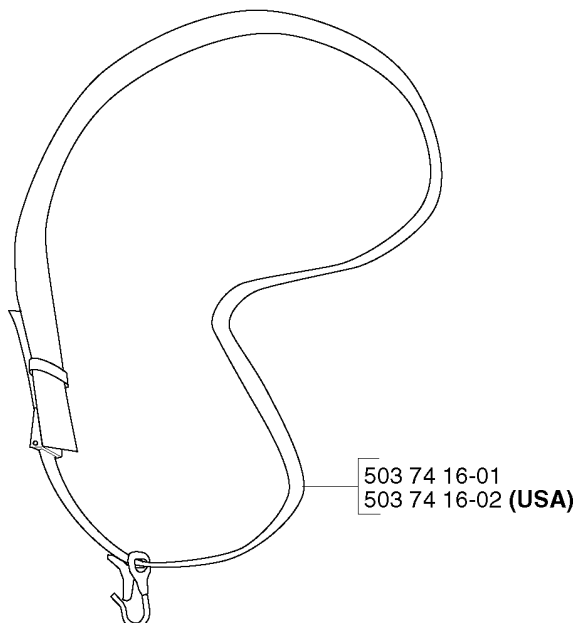
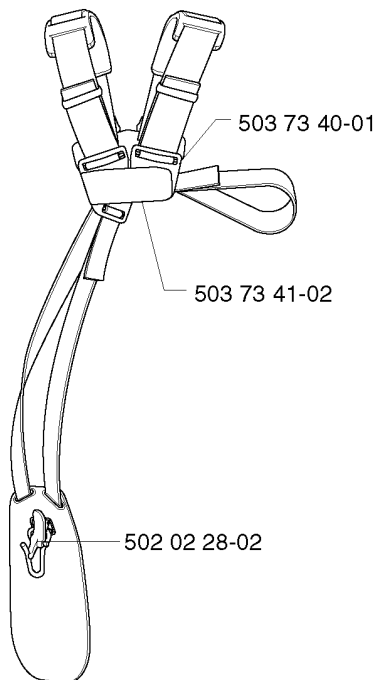
Q Accessories
Zubehöre
Accessoires
Acessorios
Tillbehör



*compl 501 78 33-01



compl 503 73 63-03
compl 503 73 63-04 (USA)



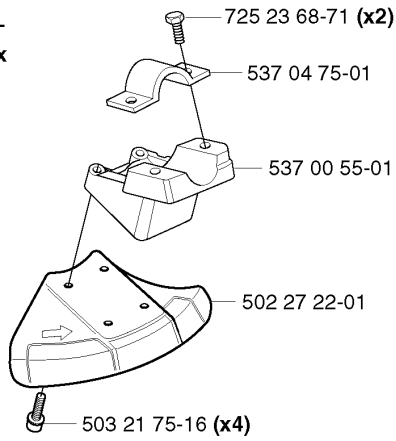
ACCESSORIES

323 R, 2002-01

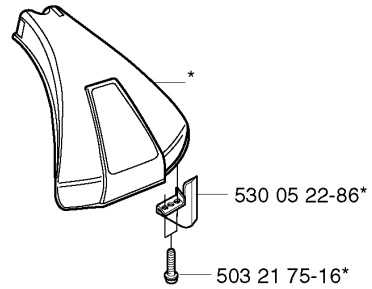
Part No	Description	Remark	QTY KIT
501 60 02-03	SCREWDRIVER		1
501 78 33-01	SUSPENSION BAIL		1
502 02 28-02	WELT HOOK		1
502 03 55-05	TRANSPORT GUARD		1
502 11 46-02	SOCKET WRENCH		1
502 21 58-01	L-NYCKEL		1
502 28 59-01	STOP		1
503 21 83-16	SCREW		1
503 73 40-01	FRONT PIECE		1
503 73 41-02	FRONT PIECE		1
503 73 63-03	HARNESS		1
503 73 63-04	HARNESS ASSY	USA	1
503 74 16-01	HARNESS ASSY		1
503 74 16-02	HARNESS ASSY	USA	1
503 80 17-01	GREASE	323C, 325CX	1
503 97 64-01	GREASE		1

Q Accessories
Zubehöre
Accessoires
Accesorios
Tillbehör

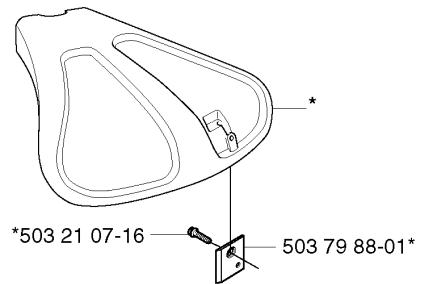
*compl 537 02 21-01
 323R
 325Rx
 325RxT
 325RDx



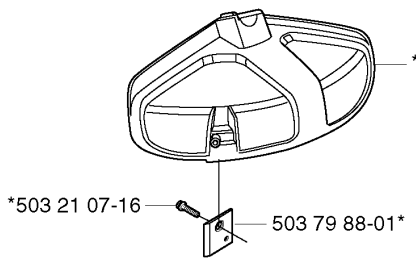
*compl 537 02 61-01
 323C
 325C



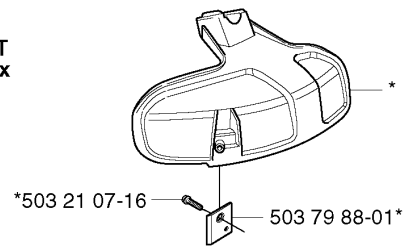
*compl 537 07 67-01
 325Cx



*compl 503 93 42-02
 323R
 325Rx
 325RJx
 325RxT
 325RDx



*compl 503 97 71-01
 322L
 323L
 323LD
 325Lx
 325LxT
 325LDx

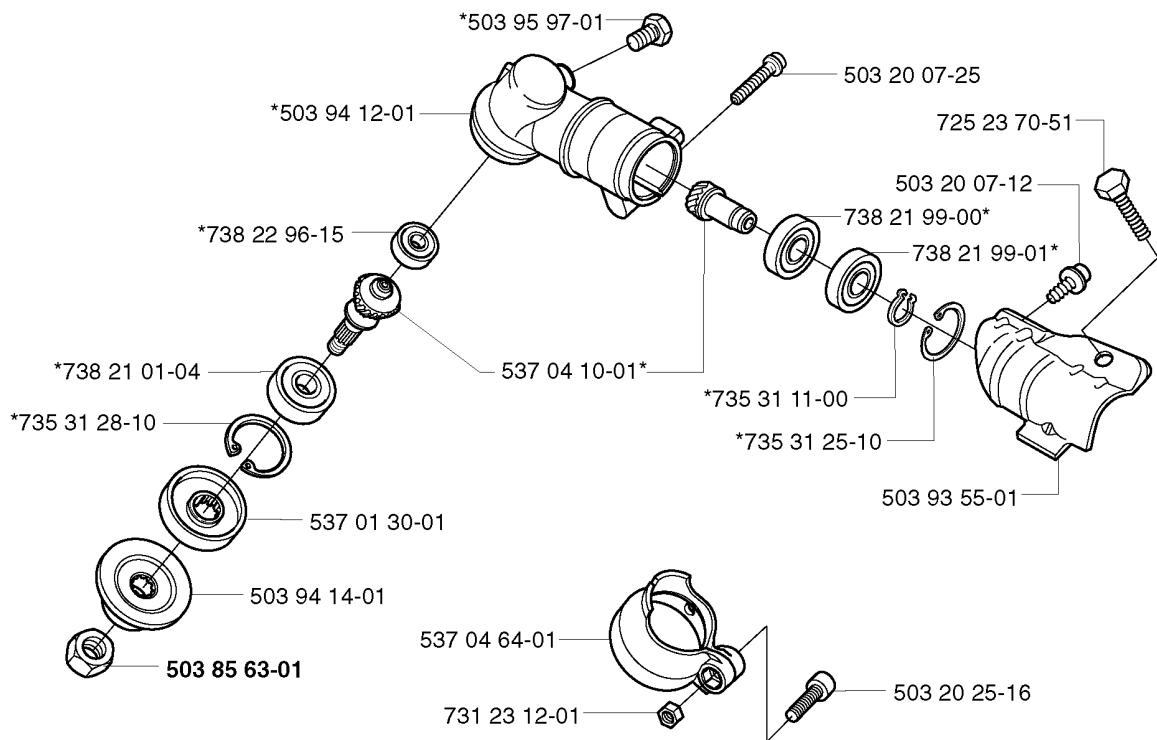


ACCESSORIES

323 R, 2002-01

Part No	Description	Remark	QTY KIT
502 27 22-01	SAW BLADE GUARD		1
503 21 07-16	SCREW IHSC T		1
503 21 07-16	SCREW IHSC T		1
503 21 07-16	SCREW IHSC T		1
503 21 75-16	SCREW IHSC FT		4
503 21 75-16	SCREW IHSC FT		1
503 79 88-01	BLADE		1
503 79 88-01	BLADE		1
503 79 88-01	BLADE		1
503 93 42-02	COMBI GUARD		1
503 97 71-01	TRIMMER GUARD		1
530 05 22-86	LINE LIMITER		1
537 00 55-01	ADAPTER		1
537 02 21-01	SAW BLADE GUARD		1
537 02 61-01	TRIMMER GUARD		1
537 04 75-01	CLAMP		1
537 07 67-01	TRIMMER GUARD		1
725 23 68-71	SCREW EHHM		2

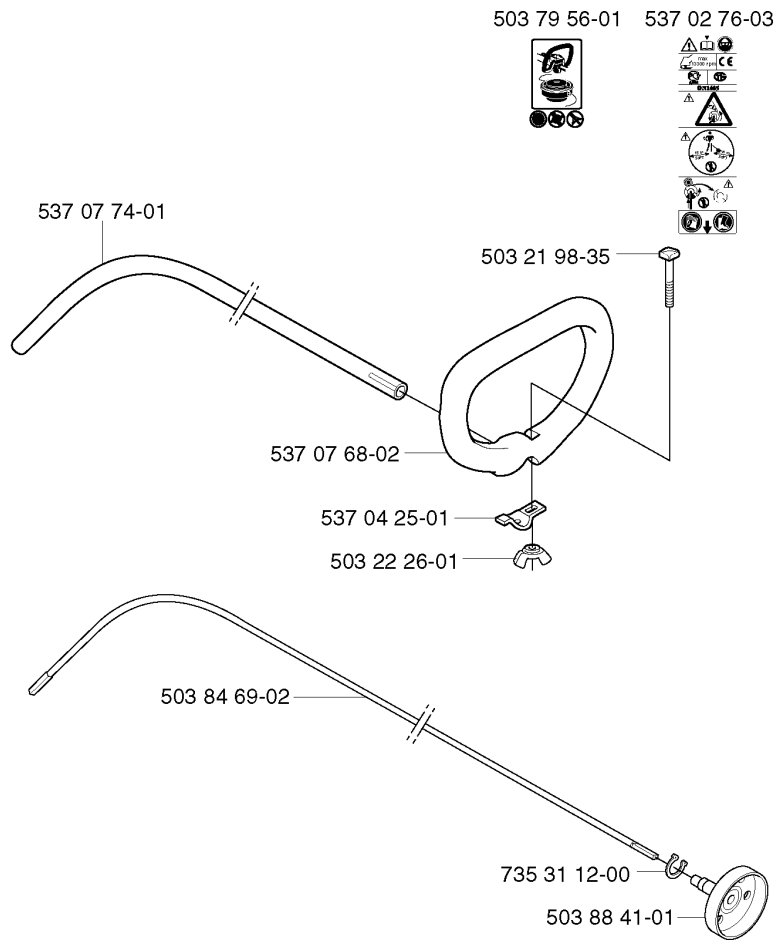
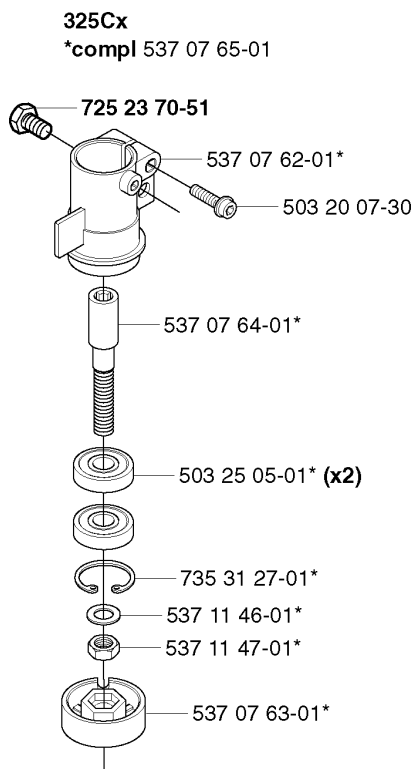
F *compl 503 94 11-01



BEVEL GEAR

323 R, 2002-01

Part No	Description	Remark	QTY KIT
503 20 07-12	SCREW IHSCFM		1
503 20 07-25	SCREW IHSCFM		1
503 20 25-16	SCREW IHSCM		1
503 85 63-01	NUT		1
503 93 55-01	CLAMP.GUARD		1
503 94 11-01	GEAR ASSY		1
503 94 12-01	GEAR HOUSING		1
503 94 14-01	SUPPORT FLANGE		1
503 95 97-01	SCREW		1
537 01 30-01	DRIVER		1
537 04 10-01	GEAR WHEEL KIT		1
537 04 64-01	GRASS SEALING		1
725 23 70-51	SCREW		1
731 23 12-01	HEXAGON NUT		1
735 31 11-00	CIRCLIP		1
735 31 25-10	CIRCLIP		1
735 31 28-10	CIRCLIP		1
738 21 01-04	BALL BEARING		1
738 21 99-00	BALL BEARING		1
738 21 99-01	BALL BEARING		1
738 22 96-15	BALL BEARING		1

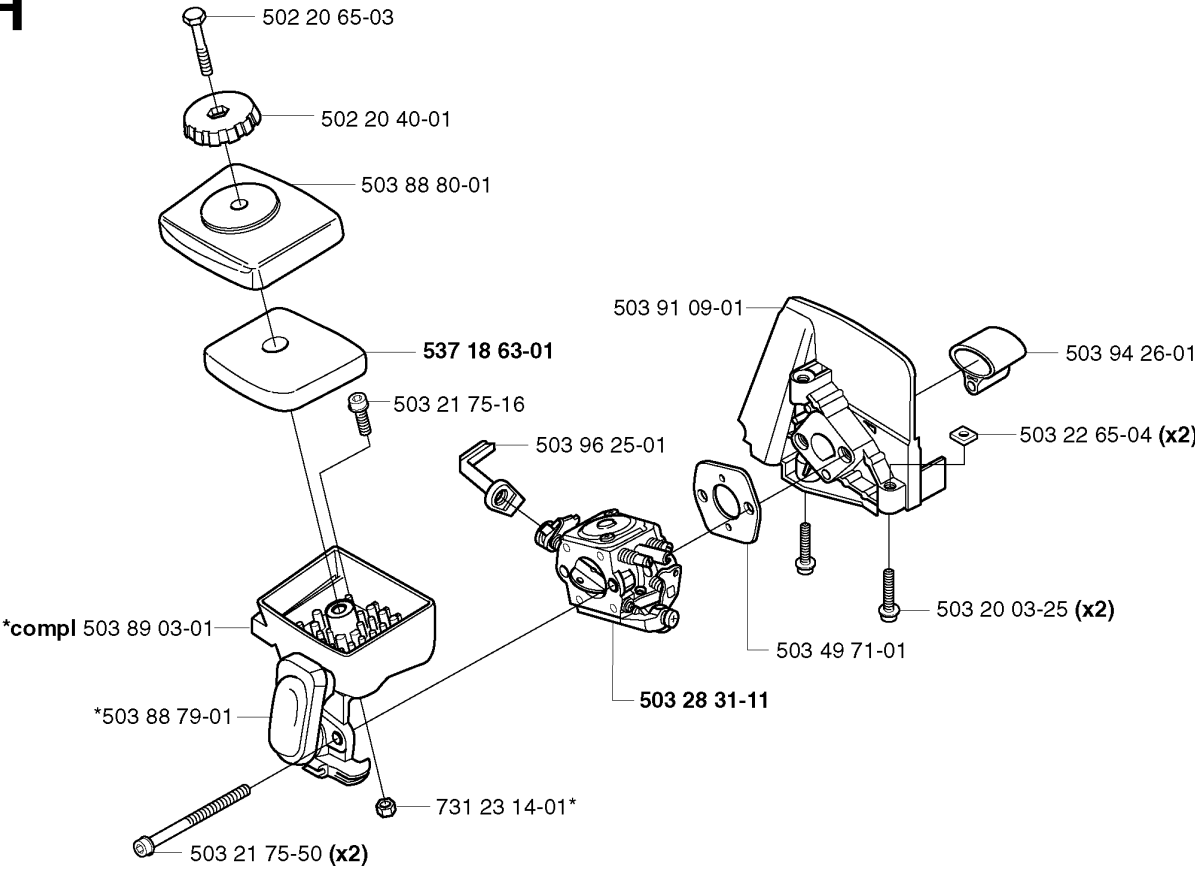


BEVEL GEAR & SHAFT

323 R, 2002-01

Part No	Description	Remark	QTY KIT
503 20 07-30	SCREW IHSCFM		1
503 21 98-35	SCREW		1
503 22 26-01	NUT		1
503 25 05-01	BALL BEARING		2
503 79 56-01	LABEL		1
503 84 69-02	SHAFT		1
503 88 41-01	CLUTCH DRUM		1
537 02 76-03	LABEL		1
537 04 25-01	ATTACHMENT PLATE		1
537 07 62-01	BEARING HOUSING		1
537 07 63-01	DRIVER		1
537 07 64-01	BLADE SHAFT		1
537 07 65-01	BEARING HOUSING		1
537 07 68-02	HANDLE		1
537 07 74-01	TUBE		1
537 11 46-01	WASHER		1
537 11 47-01	NUT		1
725 23 70-51	SCREW		1
735 31 12-00	CIRCLIP		1
735 31 27-01	CIRCLIP		1

H



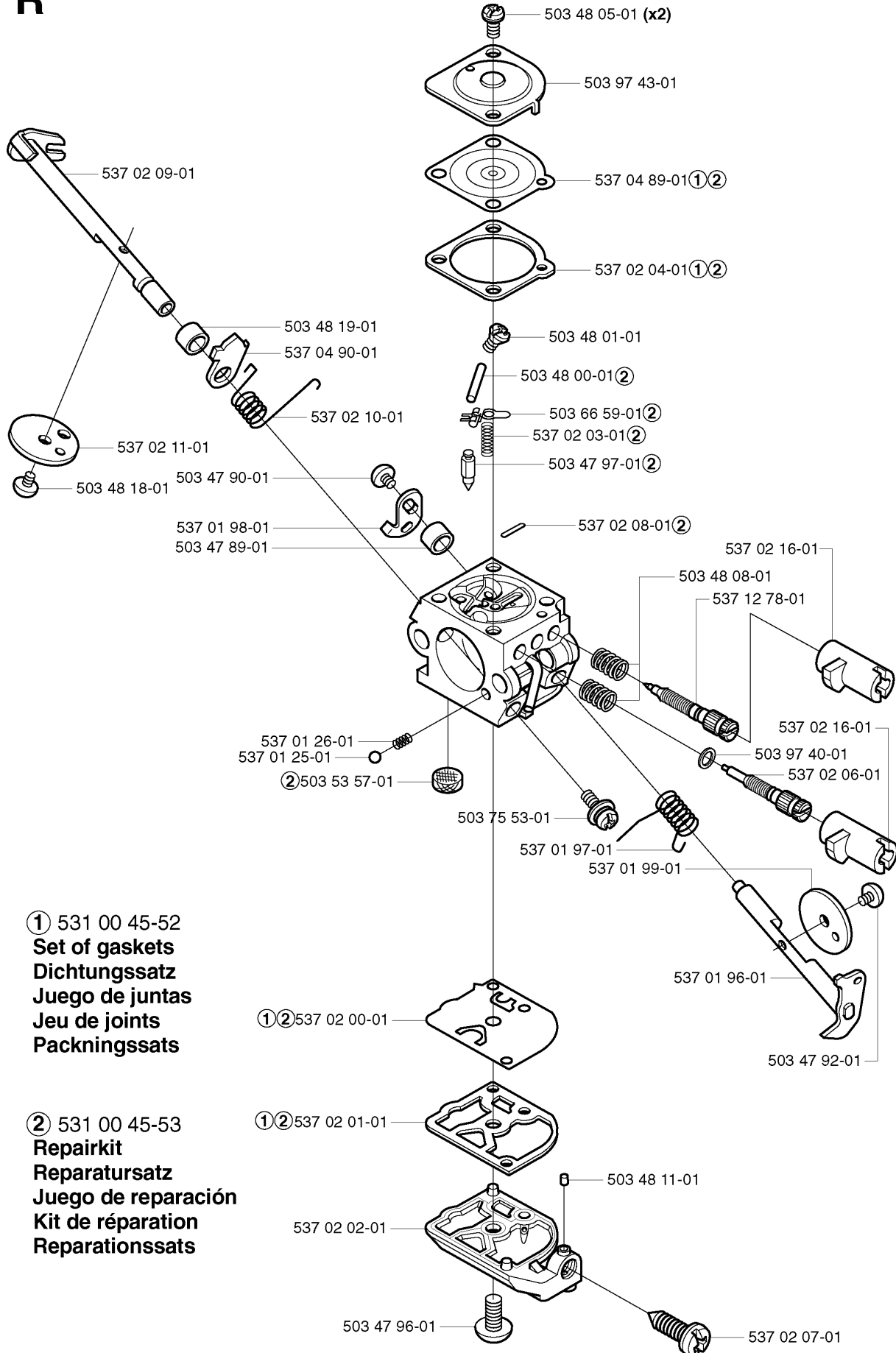
CARBURETOR & AIR FILTER

323 R, 2002-01

Part No	Description	Remark	QTY KIT
502 20 40-01	KNOB		1
502 20 65-03	SCREW EHHM		1
503 20 03-25	SCREW IHSCFM		2
503 21 75-16	SCREW IHSCFT		1
503 21 75-50	SCREW IHSCFT		2
503 22 65-04	SQUARE NUT		2
503 28 31-11	CARBURETTOR		1
503 49 71-01	GASKET		1
503 88 79-01	HUB CAP		1
503 88 80-01	FILTER COVER		1
503 89 03-01	FILTERBLOCK ASSY		1
503 91 09-01	INSULATION WALL		1
503 94 26-01	INLET PIPE		1
503 96 25-01	CHOKE CONTROL		1
537 18 63-01	AIR FILTER		1
731 23 14-01	HEXAGON NUT		1

R compl 503 28 31-11

ZAMA C1Q - EL 12



① 531 00 45-52
Set of gaskets
Dichtungssatz
Juego de juntas
Jeu de joints
Packningssats

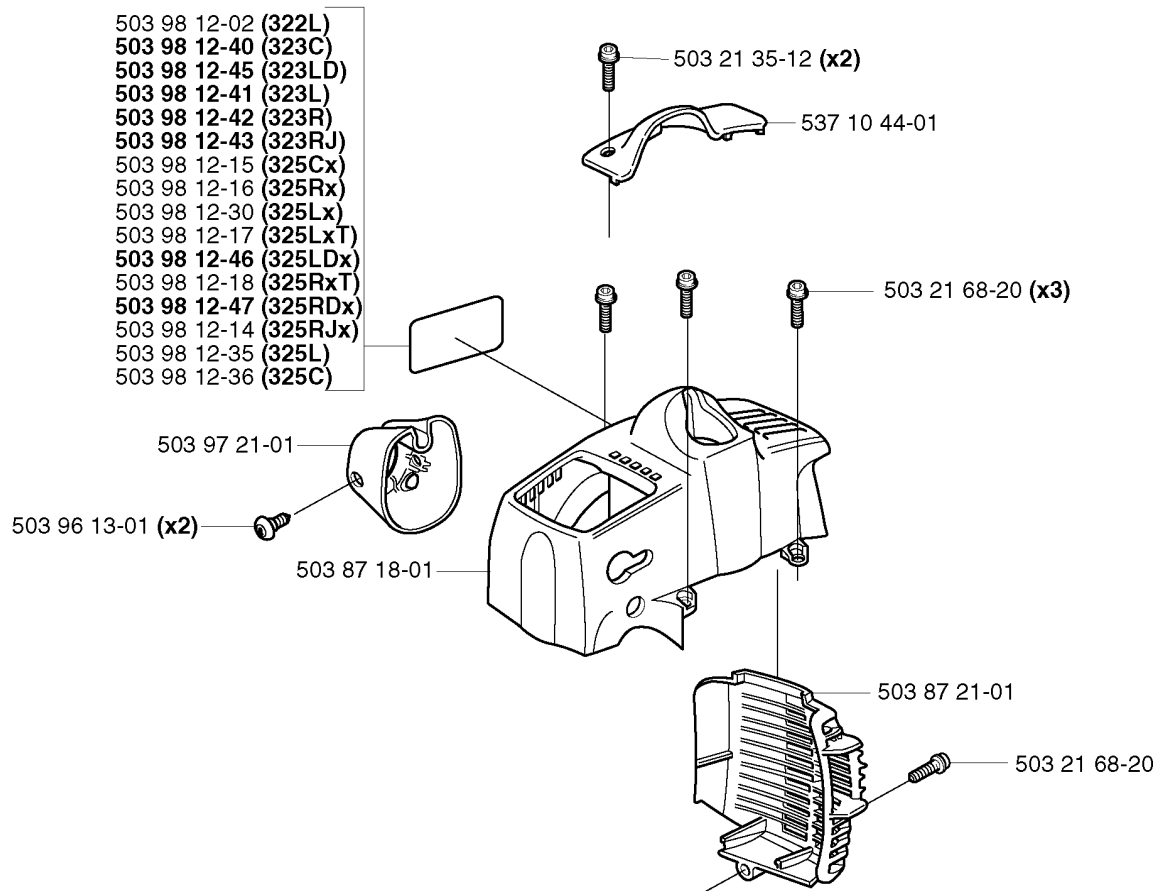
② 531 00 45-53
Repairkit
Reparatursatz
Juego de reparación
Kit de réparation
Reparationsssats

CARBURETOR DETAILS

323 R, 2002-01

Part No	Description	Remark	QTY KIT
503 28 31-11	CARBURETTOR		1
503 47 89-01	COLLAR		1
503 47 90-01	SCREW		1
503 47 92-01	SCREW		1
503 47 96-01	SCREW		1
503 47 97-01	VALVE	531 00 45-53 REPAIRKIT	1
503 48 00-01	PIN RETAINING SCREW	531 00 45-53 REPAIRKIT	1
503 48 01-01	SCREW		1
503 48 05-01	SCREW		2
503 48 08-01	SPRING		1
503 48 11-01	PIECE		1
503 48 18-01	SCREW		1
503 48 19-01	COLLAR		1
503 53 57-01	STRAINER	531 00 45-53 REPAIRKIT	1
503 66 59-01	LEVER	531 00 45-53 REPAIRKIT	1
503 75 53-01	SCREW		1
503 97 40-01	WASHER		1
503 97 43-01	COVER		1
537 01 25-01	BALL		1
537 01 26-01	SPRING		1
537 01 96-01	SHAFT ASSY		1
537 01 97-01	SPRING		1
537 01 98-01	LEVER		1
537 01 99-01	VALVE		1
537 02 00-01	DIAPHRAGM PUMP	531 00 45-52 SET OF GASKETS 531 00 45-53 REPAIRKIT	1
537 02 01-01	GASKET	531 00 45-52 SET OF GASKETS 531 00 45-53 REPAIRKIT	1
537 02 02-01	COVER		1
537 02 03-01	SPRING	531 00 45-53 REPAIRKIT	1
537 02 04-01	GASKET	531 00 45-52 SET OF GASKETS 531 00 45-53 REPAIRKIT	1
537 02 06-01	SCREW		1
537 02 07-01	SCREW		1
537 02 08-01	PLUG	531 00 45-53 REPAIRKIT	1
537 02 09-01	SHAFT ASSY		1
537 02 10-01	SPRING		1
537 02 11-01	VALVE		1
537 02 16-01	LIMITER CAP		1
537 02 16-01	LIMITER CAP		1
537 04 89-01	DIAPHRAGM	531 00 45-52 SET OF GASKETS 531 00 45-53 REPAIRKIT	1
537 04 90-01	LEVER		1
537 12 78-01	SCREW		1

G

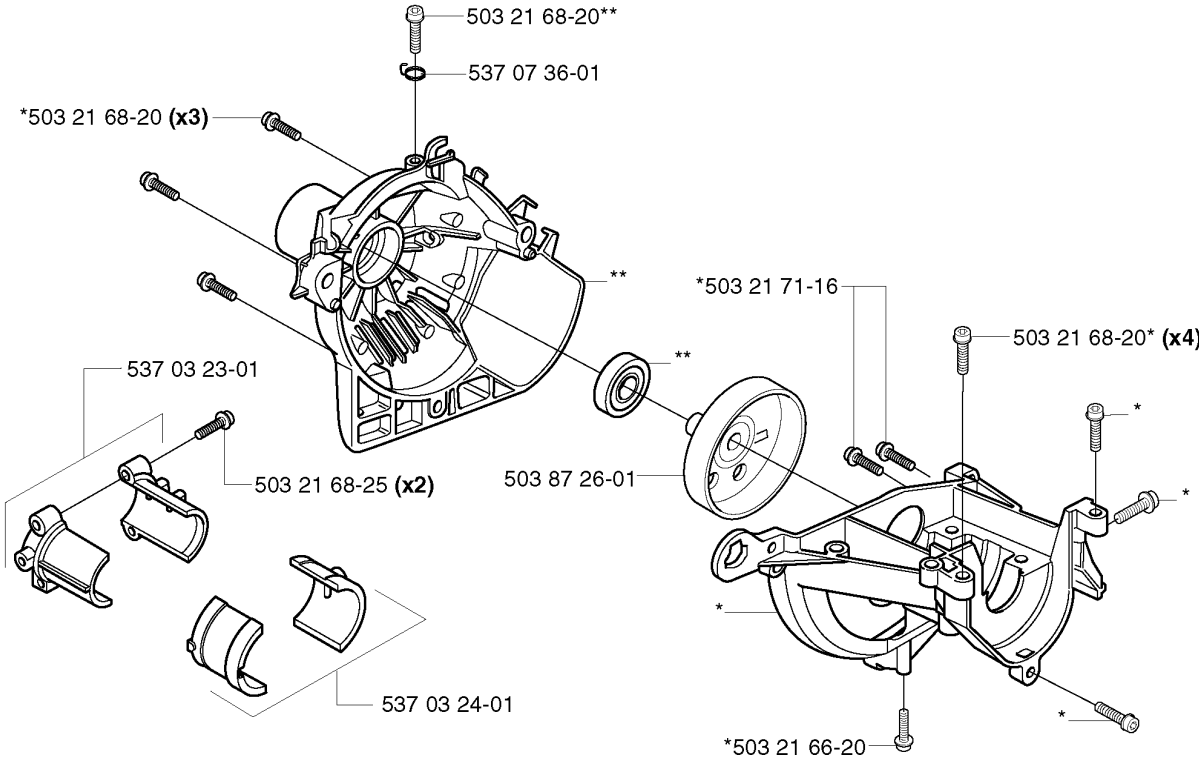


COVER

323 R, 2002-01

Part No	Description	Remark	QTY KIT
503 21 35-12	SCREW CCRPANT		2
503 21 68-20	SCREW IHSCFT		1
503 21 68-20	SCREW IHSCFT		3
503 87 18-01	CYLINDER COVER		1
503 87 21-01	HEAT PROTECTOR		1
503 96 13-01	SCREW		2
503 97 21-01	COVER		1
503 98 12-02	LABEL	322L	1
503 98 12-14	LABEL	325RJX	1
503 98 12-15	LABEL	325CX	1
503 98 12-16	LABEL	325RX	1
503 98 12-17	LABEL	325LXT	1
503 98 12-18	LABEL	325RXT	1
503 98 12-30	LABEL	325LX	1
503 98 12-35	LABEL	325L	1
503 98 12-36	LABEL	325C	1
503 98 12-40	LABEL	323C	1
503 98 12-41	LABEL	323L	1
503 98 12-42	LABEL	323R	1
503 98 12-43	LABEL	323RJ	1
503 98 12-45	LABEL	323LD	1
503 98 12-46	LABEL	325LDX	1
503 98 12-47	LABEL	325RDX	1
537 10 44-01	ARM PROTECTION		1

N *compl 537 04 11-01
**compl 537 04 12-03



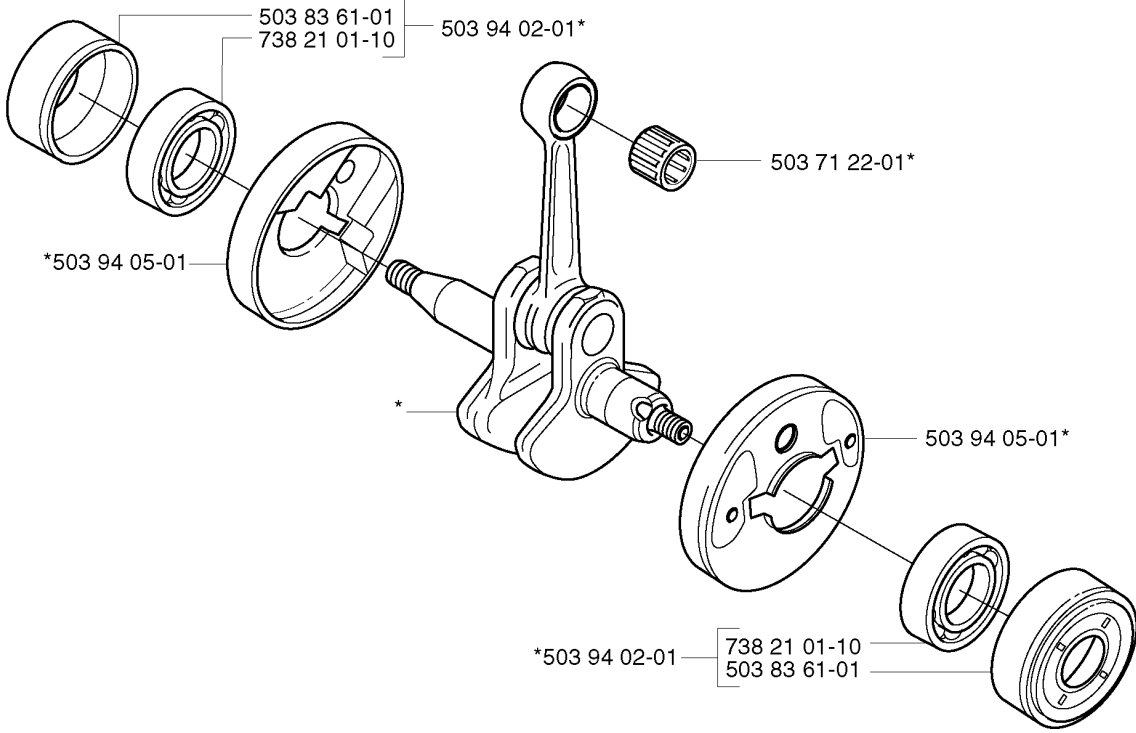
CRANKCASE

323 R, 2002-01

Part No	Description	Remark	QTY KIT
503 21 66-20	SCREW IHSC T		1
503 21 68-20	SCREW IHSC FT		3
503 21 68-20	SCREW IHSC FT		4
503 21 68-20	SCREW IHSC FT		1
503 21 68-25	SCREW IHSC FT		2
503 21 71-16	SCREW IHSC T		1
503 87 26-01	CLUTCH DRUM ASSY		1
537 03 23-01	CLAMPING SLEEVE ASSY		1
537 03 24-01	INSULATOR		1
537 04 11-01	CRANKCASE		1
537 04 12-03	CLUTCH COVER		1
537 07 36-01	SPRING		1

P

*compl 503 85 24-74

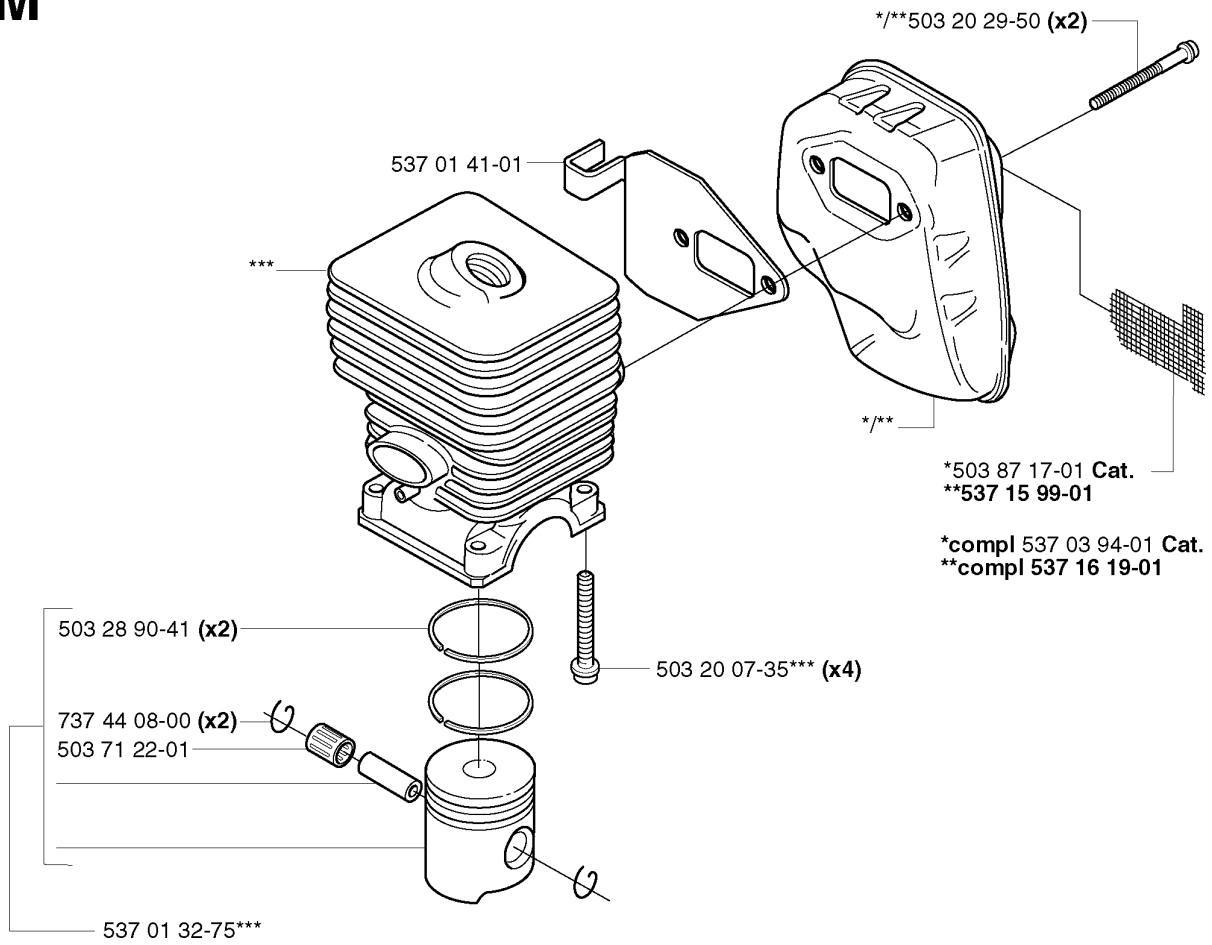


CRANKSHAFT

323 R, 2002-01

Part No	Description	Remark	QTY KIT
503 71 22-01	BEARING		1
503 83 61-01	BEARING CAGE		1
503 83 61-01	BEARING CAGE		1
503 85 24-74	CRANKSHAFT ASSY		1
503 94 02-01	BEARING CAGE		1
503 94 02-01	BEARING CAGE		1
503 94 05-01	CUP		1
503 94 05-01	CUP		1
738 21 01-10	BALL BEARING		1
738 21 01-10	BALL BEARING		1

M ***compl 537 03 20-05

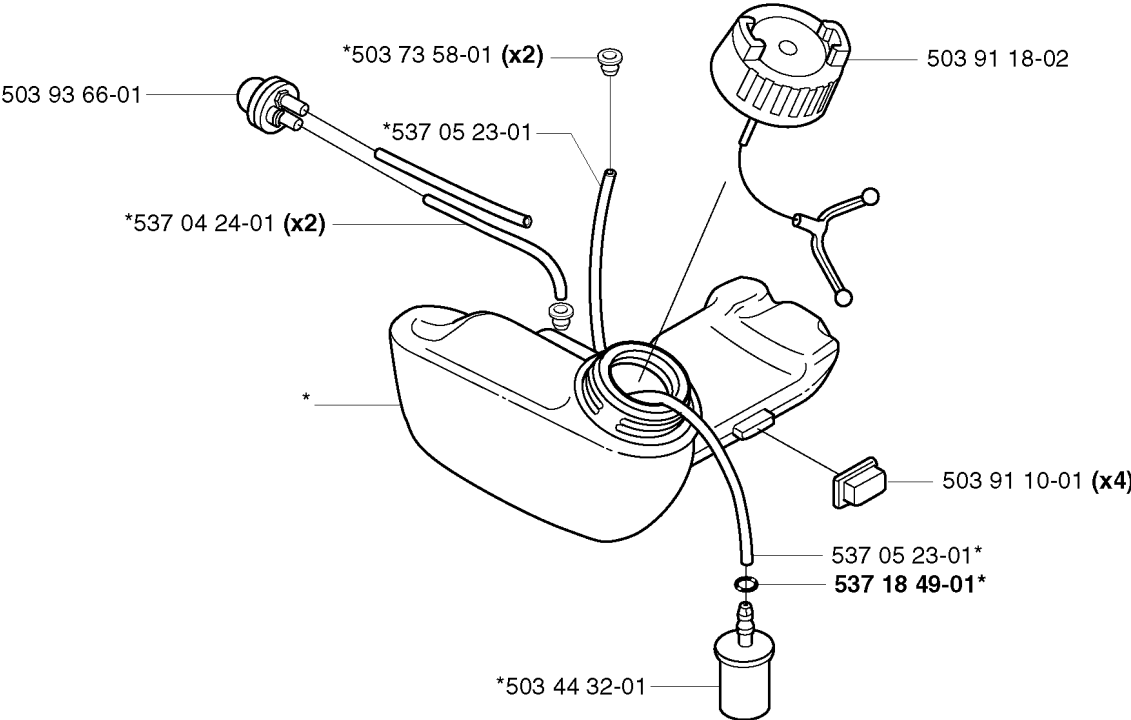


CYLINDER PISTON

323 R, 2002-01

Part No	Description	Remark	QTY KIT
503 20 07-35	SCREW IHSCFM		4
503 20 29-50	SCREW IHSCFM		2
503 28 90-41	PISTON RING		2
503 71 22-01	BEARING		1
503 87 17-01	SPARK ARRESTER SCREEN	CAT.	1
537 01 32-75	PISTON		1
537 01 41-01	GASKET		1
537 03 20-05	PISTON		1
537 03 94-01	MUFFLER ASSY	CAT.	1
537 15 99-01	SPARK ARRESTER SCREEN		1
537 16 19-01	MUFFLER ASSY		1
737 44 08-00	CIRCLIP		2

K *compl 537 06 86-01

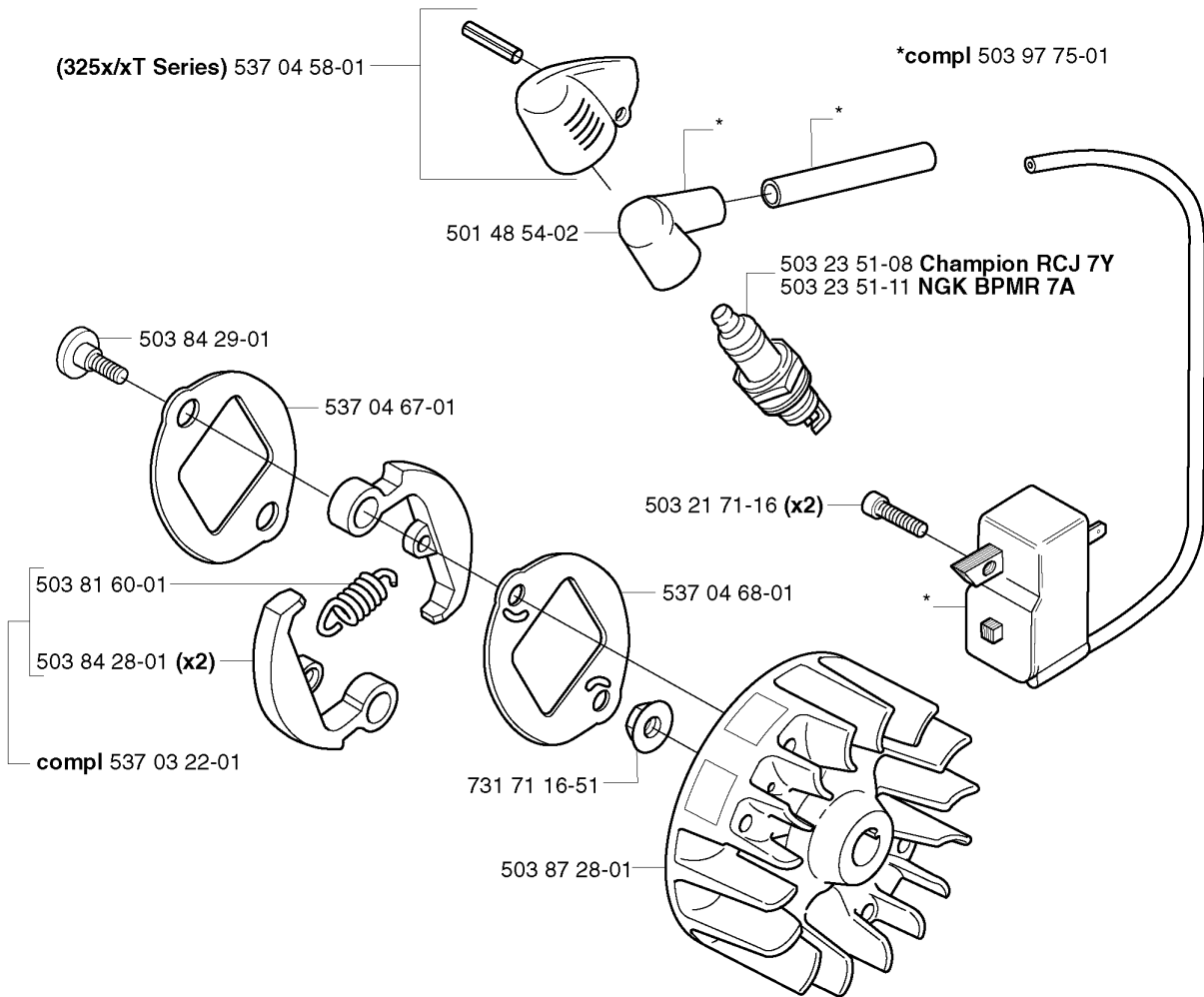


FUEL TANK

323 R, 2002-01

Part No	Description	Remark	QTY KIT
503 44 32-01	FILTER		1
503 73 58-01	BUSHING		2
503 91 10-01	SUSPENSION		4
503 91 18-02	TANK CAP		1
503 93 66-01	PRIMER HOUSING		1
537 04 24-01	FUEL HOSE		2
537 05 23-01	FUEL HOSE		1
537 05 23-01	FUEL HOSE		1
537 06 86-01	FUEL TANK		1
537 18 49-01	O-RING		1

L

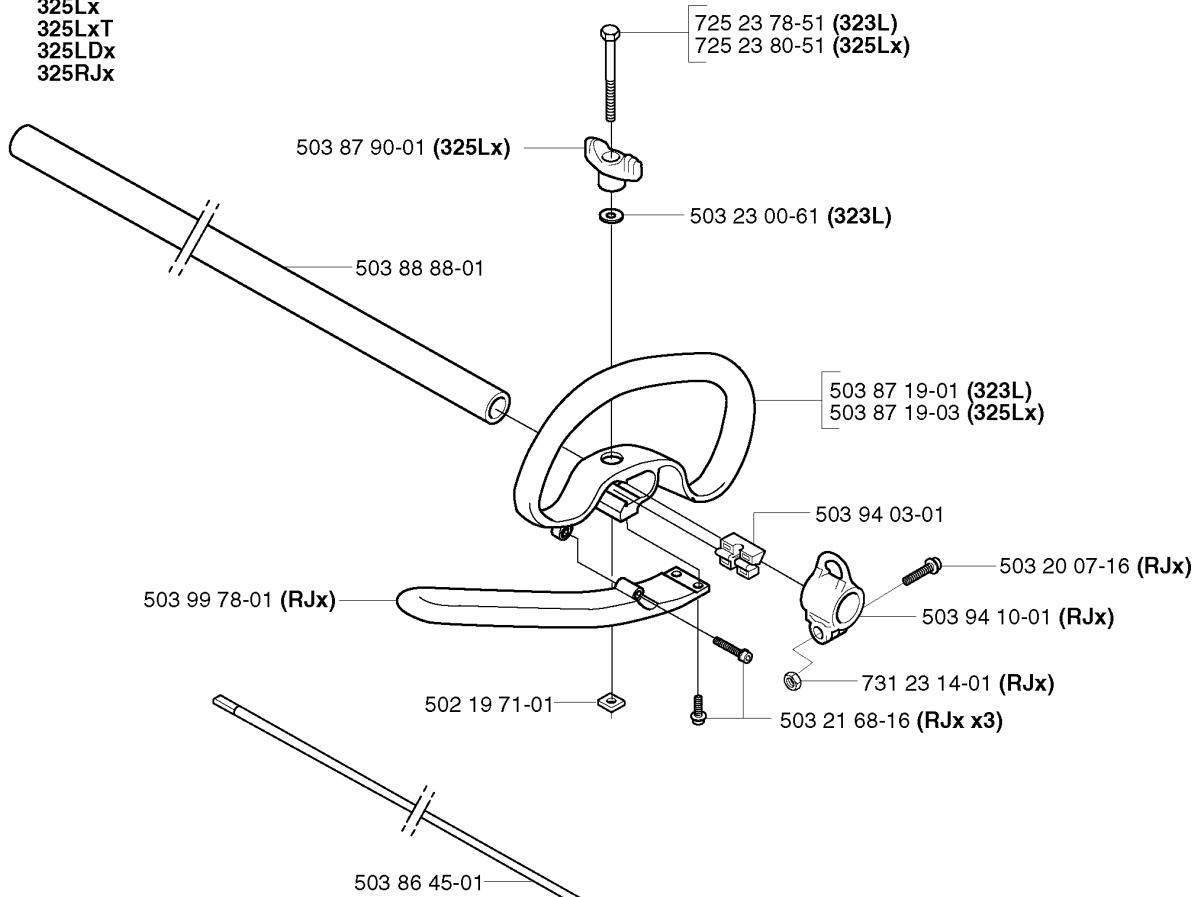


IGNITION SYSTEM & CLUTCH

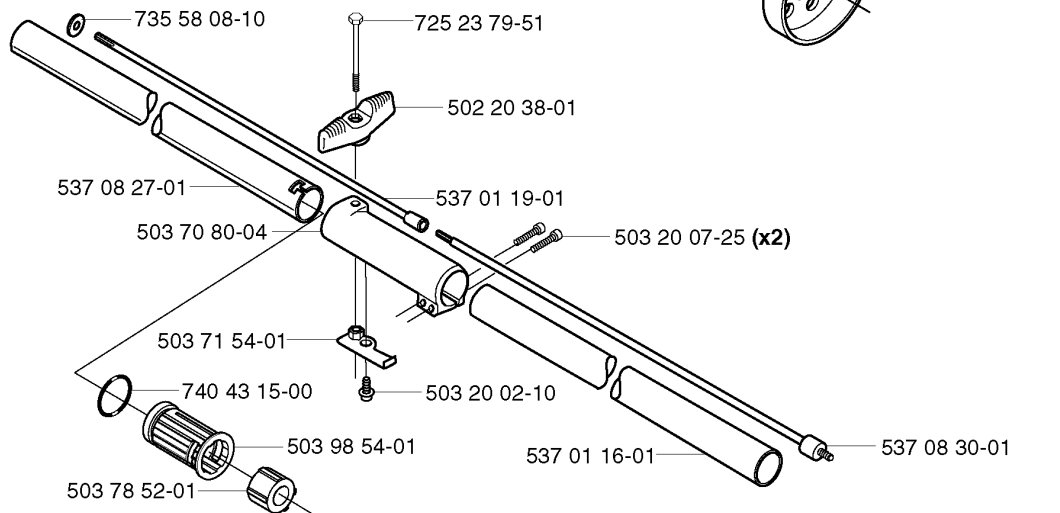
323 R, 2002-01

Part No	Description	Remark	QTY KIT
501 48 54-02	SPARK PLUG CAP		1
503 21 71-16	SCREW IHSCT		2
503 23 51-08	SPARK PLUG	CHAMPION RCJ 7Y	1
503 23 51-11	SPARK PLUG	NGK BPMR 7A	1
503 81 60-01	CLUTCH SPRING		1
503 84 28-01	CLUTCH SHOE		2
503 84 29-01	SCREW		1
503 87 28-01	FLYWHEEL		1
503 97 75-01	ELECTRONIC MODULE		1
537 03 22-01	CLUTCH ASSY		1
537 04 58-01	COVER	325X/XT SERIES	1
537 04 67-01	WASHER		1
537 04 68-01	WASHER		1
731 71 16-51	HEXAGON NUT FLANGE		1

B 322L
323L
323LD
325Lx
325LxT
325LDx
325RJx



323LD
325LxT
325LDx
325RxT



537 10 10-01 (RJx)



503 79 56-01 (L/Lx)



537 02 76-01

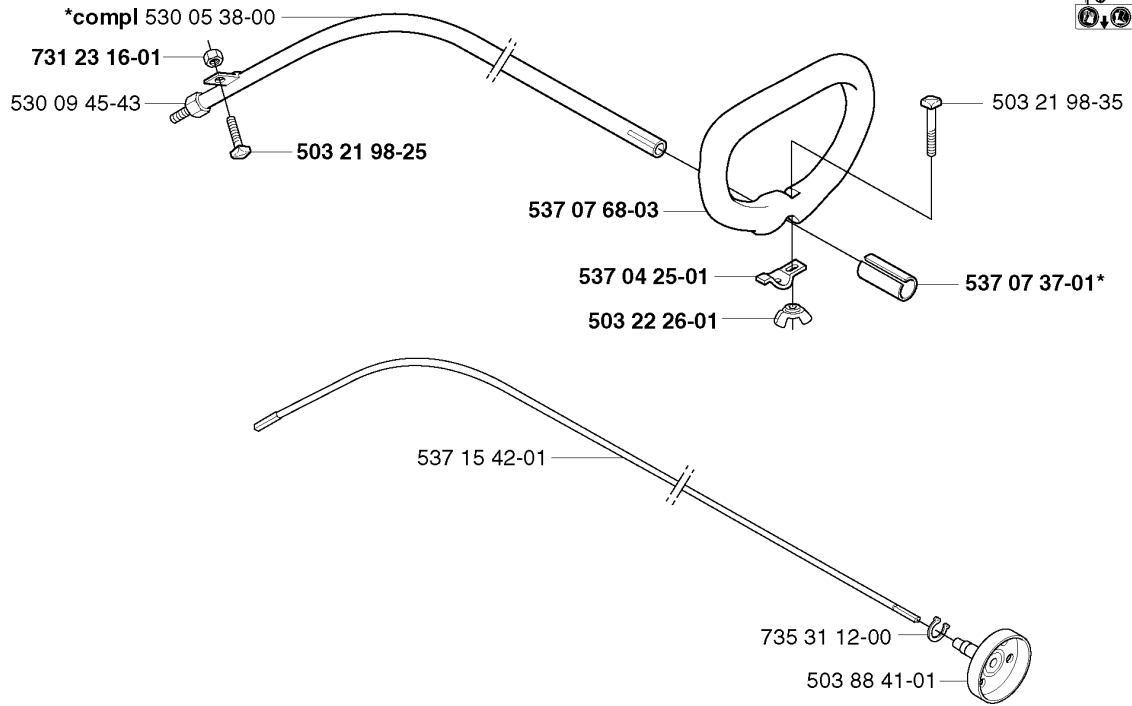
SHAFT & HANDLE

323 R, 2002-01

Part No	Description	Remark	QTY KIT
502 19 71-01	SQUARE NUT		1
502 20 38-01	KNOB		1
503 20 02-10	SCREW IHSCFM		1
503 20 07-16	SCREW IHSCFM	RJX	1
503 20 07-25	SCREW IHSCFM		2
503 21 68-16	SCREW IHSCFM	RJX X3	1
503 23 00-61	WASHER	323L	1
503 70 80-04	COMPRESSION SLEEVE		1
503 71 54-01	LOCKING PLATE		1
503 78 52-01	SUPPORTING BEARING		1
503 79 56-01	LABEL	L/LX	1
503 86 45-01	DRIVE SHAFT		1
503 87 19-01	HANDLE.LOOP	323L	1
503 87 19-03	HANDLE	325LX	1
503 87 26-01	CLUTCH DRUM ASSY		1
503 87 90-01	KNOB	325LX	1
503 88 88-01	TUBE		1
503 94 03-01	DISTANCE		1
503 94 10-01	HOOK	RJX	1
503 98 54-01	BEARING CAGE		1
503 99 78-01	HANDLE	RJX	1
537 01 16-01	TUBE		1
537 01 19-01	DRIVE SHAFT		1
537 02 76-01	LABEL		1
537 08 27-01	TUBE		1
537 08 30-01	DRIVE SHAFT		1
537 10 10-01	LABEL	RJX	1
725 23 78-51	SCREW EHHM	323L	1
725 23 79-51	SCREW EHHM		1
725 23 80-51	SCREW EHHM	325LX	1
731 23 14-01	HEXAGON NUT	RJX	1
735 58 08-10	LOCKWASHER		1
740 43 15-00	O-RING		1

A 323C
325C

503 79 56-01 537 02 76-03

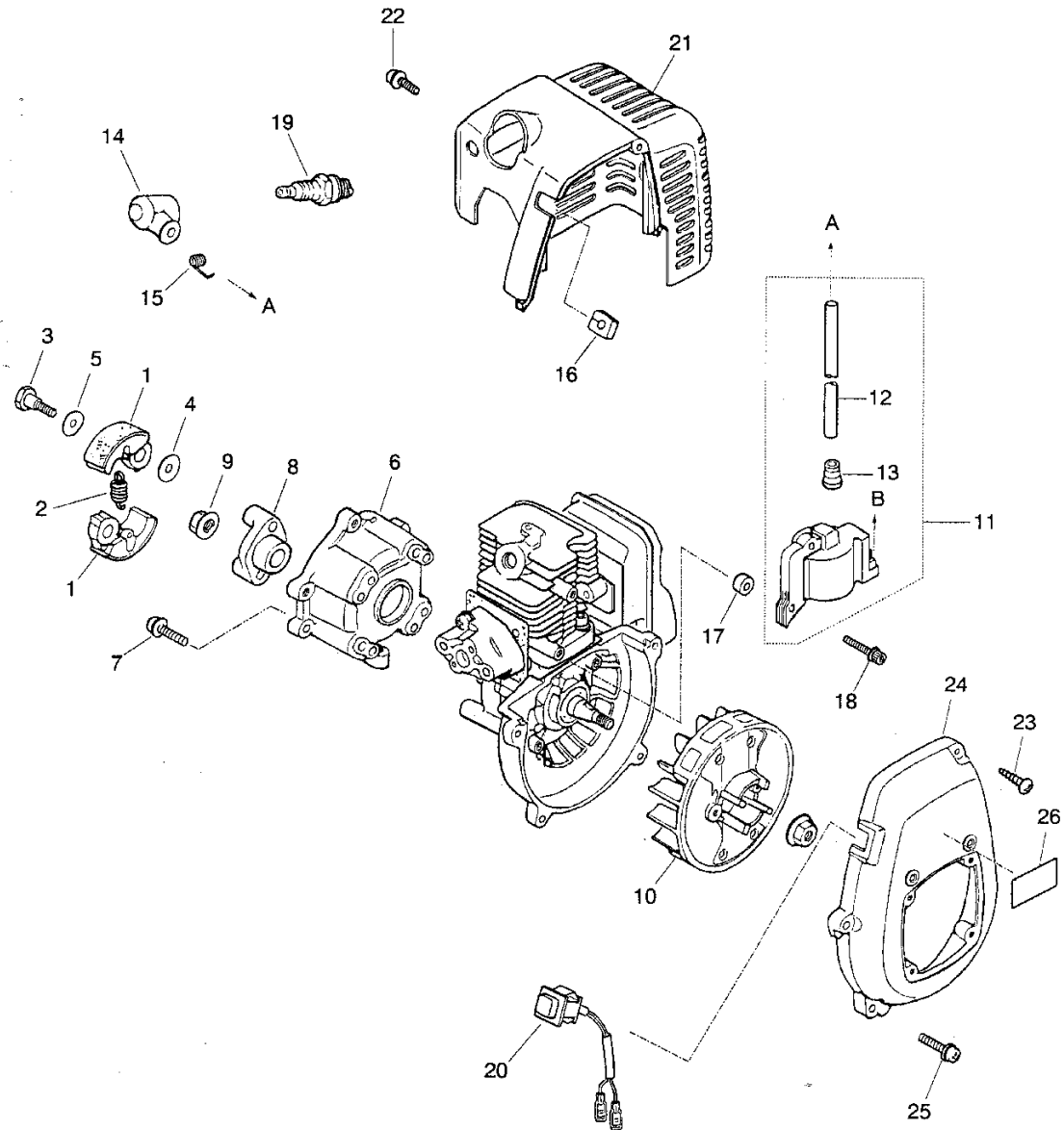


SHAFT & HANDLE

323 R, 2002-01

Part No	Description	Remark	QTY KIT
503 21 98-25	SCREW		1
503 21 98-35	SCREW		1
503 22 26-01	NUT		1
503 79 56-01	LABEL		1
503 88 41-01	CLUTCH DRUM		1
530 05 38-00	SHAFT		1
530 09 45-43	DRIVER		1
537 02 76-03	LABEL		1
537 04 25-01	ATTACHMENT PLATE		1
537 07 37-01	SPACING TUBE		1
537 07 68-03	HANDLE		1
537 15 42-01	SHAFT		1
731 23 16-01	HEXAGON NUT		1
735 31 12-00	CIRCLIP		1

E1301 クラッチ・電装・カバー



SHAFT & HANDLE

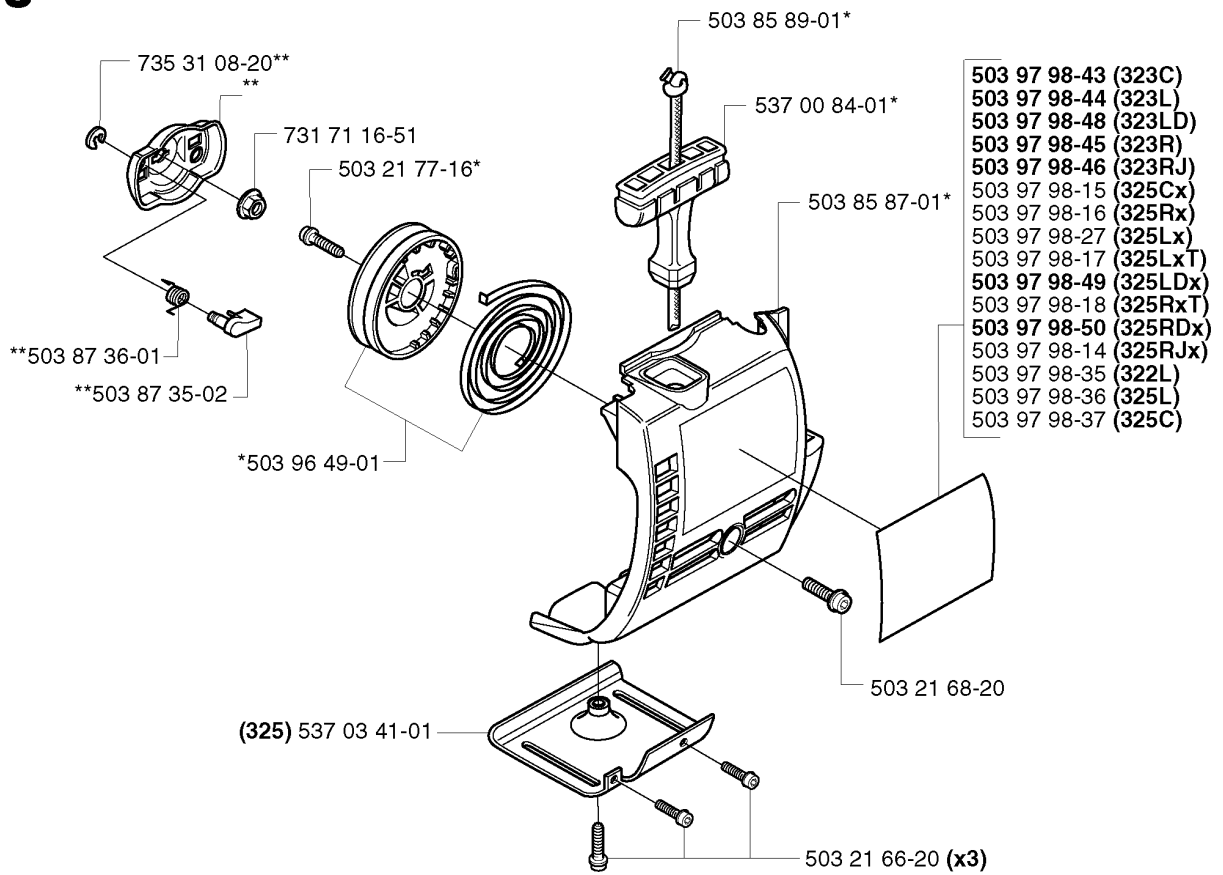
323 R, 2002-01

Part No	Description	Remark	QTY KIT
502 19 71-01	SQUARE NUT		1
502 19 95-03	HANDLEBAR		1
502 20 38-01	KNOB		1
502 21 12-01	STAPLE		1
502 21 12-01	STAPLE		1
502 21 12-01	STAPLE		1
503 20 02-45	SCREW IHSCFM		1
503 20 07-16	SCREW IHSCFM		1
503 21 07-45	SCREW IHSCFM		1
503 21 68-16	SCREW IHSCFM		4
503 21 75-25	SCREW IHSCFM		2
503 72 10-03	HANDLE		1
503 72 29-01	COVER		1
503 72 43-03	HANDLEBAR PART ASSY		1
503 72 43-09	HANDLEBAR		1
503 75 00-01	HANDLEBAR BRACKET		1
503 80 45-01	BRACKET		1
503 86 45-01	DRIVE SHAFT		1
503 87 26-01	CLUTCH DRUM ASSY		1
503 88 23-01	BRACKET		1
503 88 88-01	TUBE		1
503 94 10-01	HOOK		1
503 96 31-01	BRACKET		1
537 02 76-01	LABEL		1
537 17 28-01	HANDLE		1
537 17 29-01	COVER		1
725 23 86-51	SCREW EHHM		1
731 23 14-01	HEXAGON NUT		1
731 23 14-01	HEXAGON NUT		1

J

****compl 503 87 33-02**

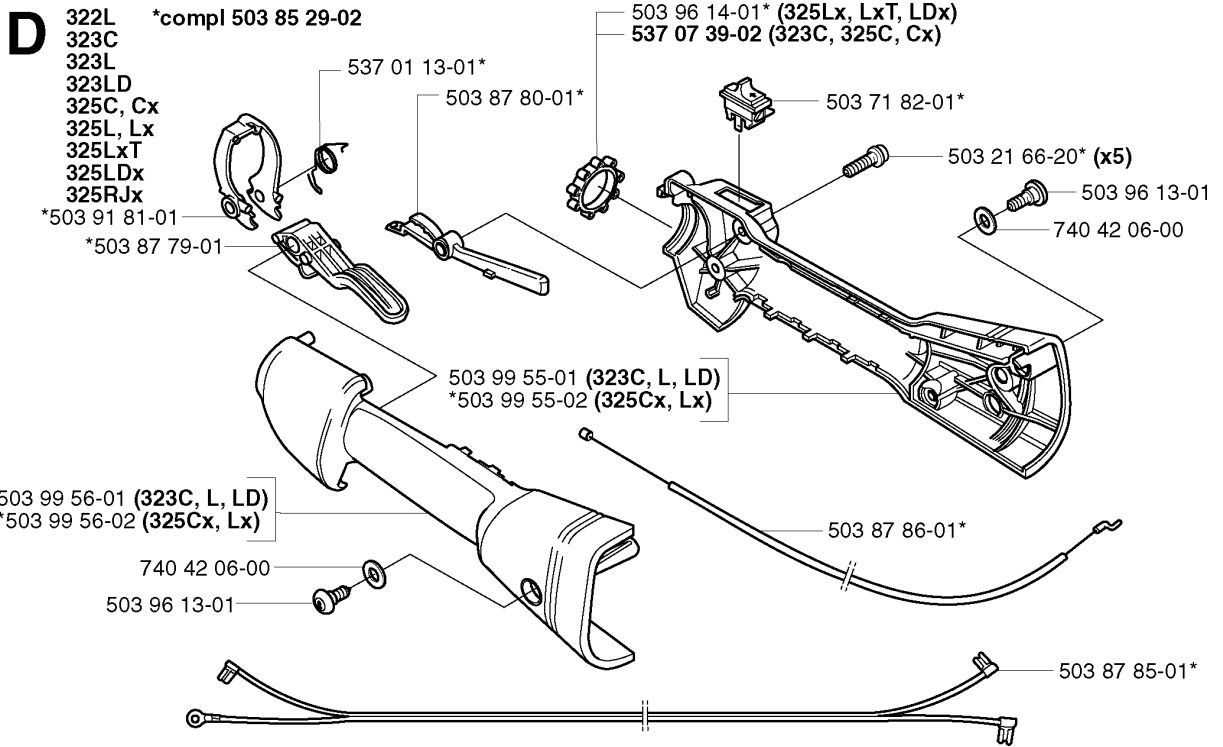
***compl 503 85 28-01**



STARTER

323 R, 2002-01

Part No	Description	Remark	QTY KIT
503 21 66-20	SCREW IHSC T		3
503 21 68-20	SCREW IHSC FT		1
503 21 77-16	SCREW IHSC T		1
503 85 28-01	STARTER ASSY		1
503 85 87-01	STARTER HOUSING		1
503 85 89-01	STARTER CORD		1
503 87 33-02	BRIDGE		1
503 87 35-02	STARTER PAWL		1
503 87 36-01	SPRING		1
503 96 49-01	STARTER PULLEY		1
503 97 98-14	DECAL	325R JX	1
503 97 98-15	DECAL	325C X	1
503 97 98-16	DECAL	325R X	1
503 97 98-17	DECAL	325L X T	1
503 97 98-18	DECAL	325R X T	1
503 97 98-27	DECAL	325L X	1
503 97 98-35	DECAL	322L	1
503 97 98-36	DECAL	325L	1
503 97 98-37	DECAL	325C	1
503 97 98-43	DECAL	323C	1
503 97 98-44	DECAL	323L	1
503 97 98-45	DECAL	323R	1
503 97 98-46	DECAL	323R J	1
503 97 98-48	DECAL	323L D	1
503 97 98-49	DECAL	325L D X	1
503 97 98-50	DECAL	325R D X	1
537 00 84-01	STARTER HANDLE		1
537 03 41-01	PROTECTIVE PLATE	325	1
731 71 16-51	HEXAGON NUT FLANGE		1
735 31 08-20	E-CLIP		1



THROTTLE CONTROLS

323 R, 2002-01

Part No	Description	Remark	QTY KIT
503 21 66-20	SCREW IHSCT		5
503 71 82-01	SWITCH		1
503 85 29-02	HANDLE		1
503 87 79-01	THROTTLE TRIGGER		1
503 87 80-01	THROTTLE LOCKOUT		1
503 87 85-01	SHORT CIRCUIT CABLE		1
503 87 86-01	THROTTLE WIRE ASSY		1
503 91 81-01	THROTTLE LEVER		1
503 96 13-01	SCREW		1
503 96 13-01	SCREW		1
503 96 14-01	ABSORBER	325LX, LXT, LDX	1
503 99 55-01	HANDLE HALF	323C, L, LD	1
503 99 55-02	HANDLE HALF	325CX, LX	1
503 99 56-01	HANDLE HALF	323C, L, LD	1
503 99 56-02	HANDLE HALF	325CX, LX	1
537 01 13-01	RECOIL SPRING		1
537 07 39-02	ANTIVIBRATION ELEMENT	323C, 325C, CX	1
740 42 06-00	O-RING		1
740 42 06-00	O-RING		1