

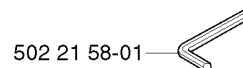
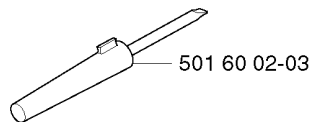
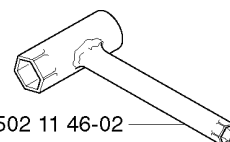
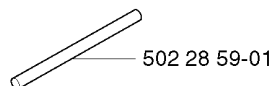
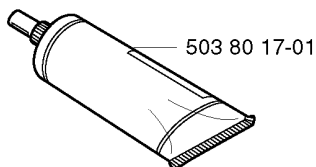
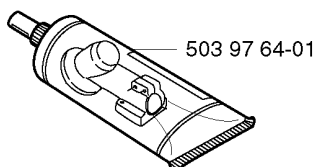


SPARE PARTS LIST

TRIMMERS/EDGERS

325 E X-SERIES, 2002-03

N Accessories
Zubehöre
Accessoires
Acessorios
Tillbehör



ACCESSORIES

325 E X-SERIES, 2002-03

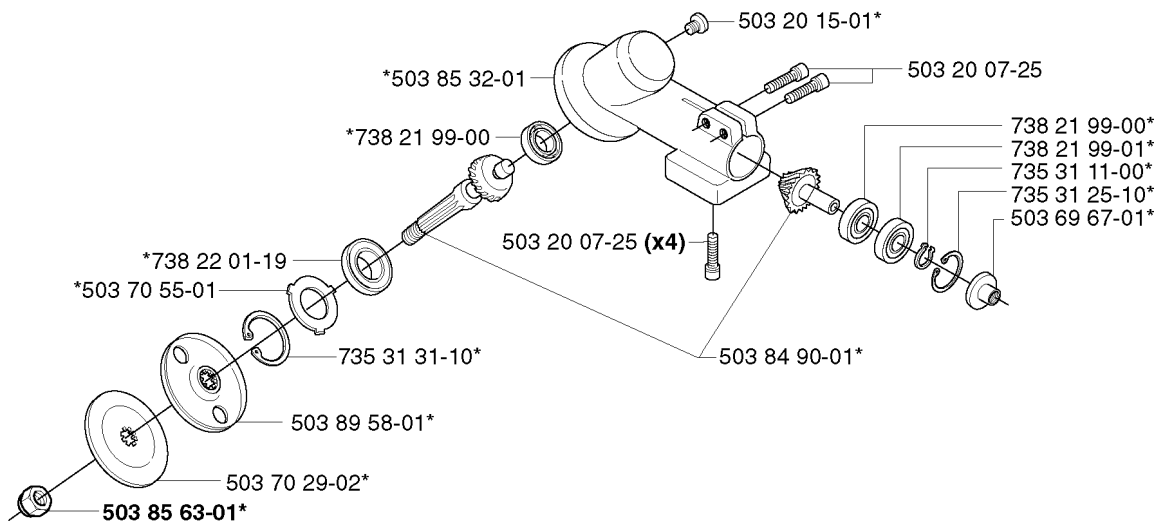
Part No	Description	Remark	QTY KIT
501 60 02-03	SCREWDRIVER		1
502 11 46-02	SOCKET WRENCH		1
502 21 58-01	L-NYCKEL		1
502 28 59-01	STOP		1
503 80 17-01	GREASE		1
503 97 64-01	GREASE		1

ATTACHMENTS

325 E X-SERIES, 2002-03

Part No	Description	Remark	QTY KIT
503 78 52-01	SUPPORTING BEARING		1
503 80 85-01	SLEEVE		1
503 84 83-01	CUTTING HEAD ASSY		1
503 98 54-01	BEARING CAGE		1
537 19 69-01	EDGER ATTACHMENT	EDGER ATTACHMENT	1
537 19 99-01	TUBE		1
587 11 18-01	LABEL		1

B *compl 502 21 92-06
323E
325Ex
Edger Attachment

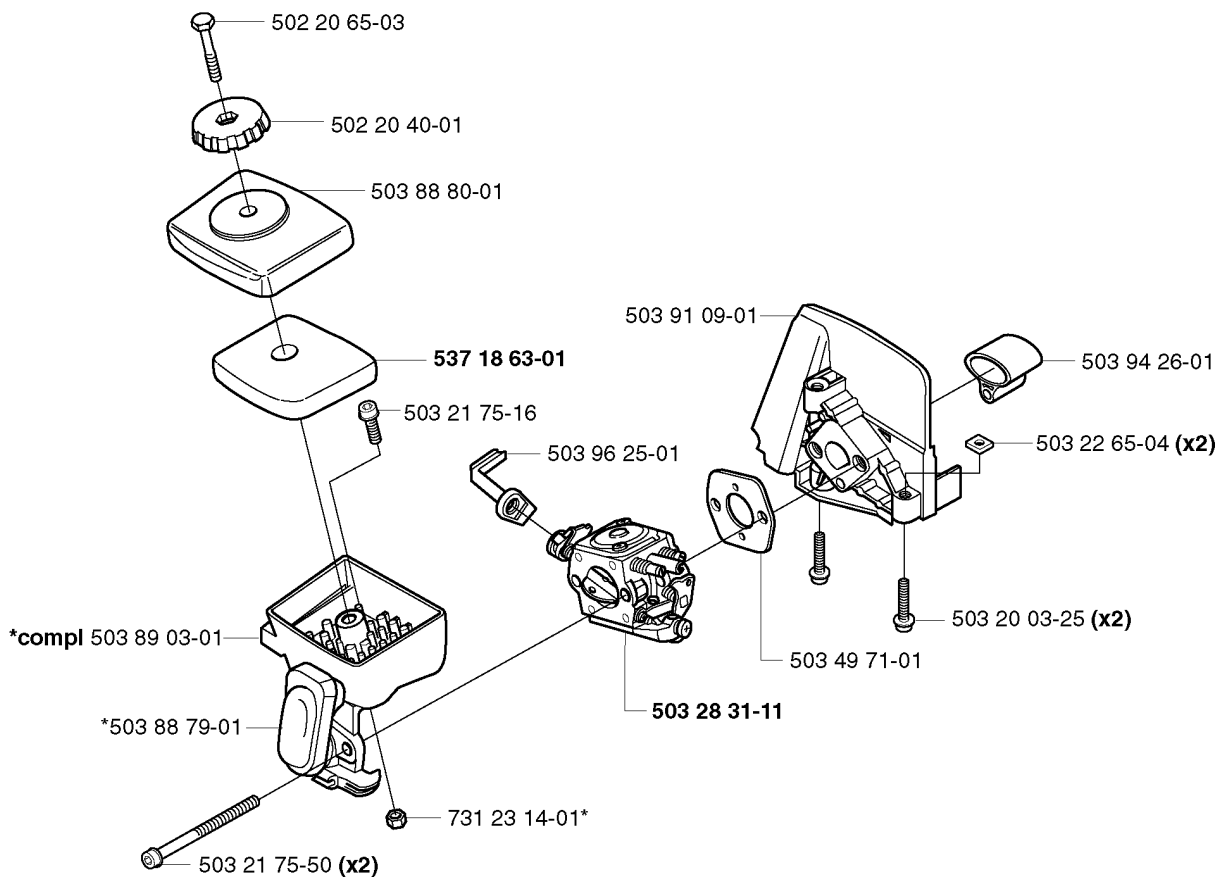


BEVEL GEAR

325 E X-SERIES, 2002-03

Part No	Description	Remark	QTY KIT
502 21 92-06	GEAR	323E 325EX EDGER ATTACHMENT	1
503 20 07-25	SCREW IHSCFM		4
503 20 07-25	SCREW IHSCFM		1
503 20 15-01	SCREW IHHM		1
503 69 67-01	GASKET RING UPPER		1
503 70 29-02	SUPPORT FLANGE		1
503 70 55-01	COVER WASHER		1
503 84 90-01	GEAR WHEEL		1
503 85 32-01	GEAR HOUSING		1
503 85 63-01	NUT		1
503 89 58-01	DRIVER		1
735 31 11-00	CIRCLIP		1
735 31 25-10	CIRCLIP		1
735 31 31-10	CIRCLIP		1
738 21 99-00	BALL BEARING		1
738 21 99-00	BALL BEARING		1
738 21 99-01	BALL BEARING		1
738 22 01-19	BALL BEARING		1

E



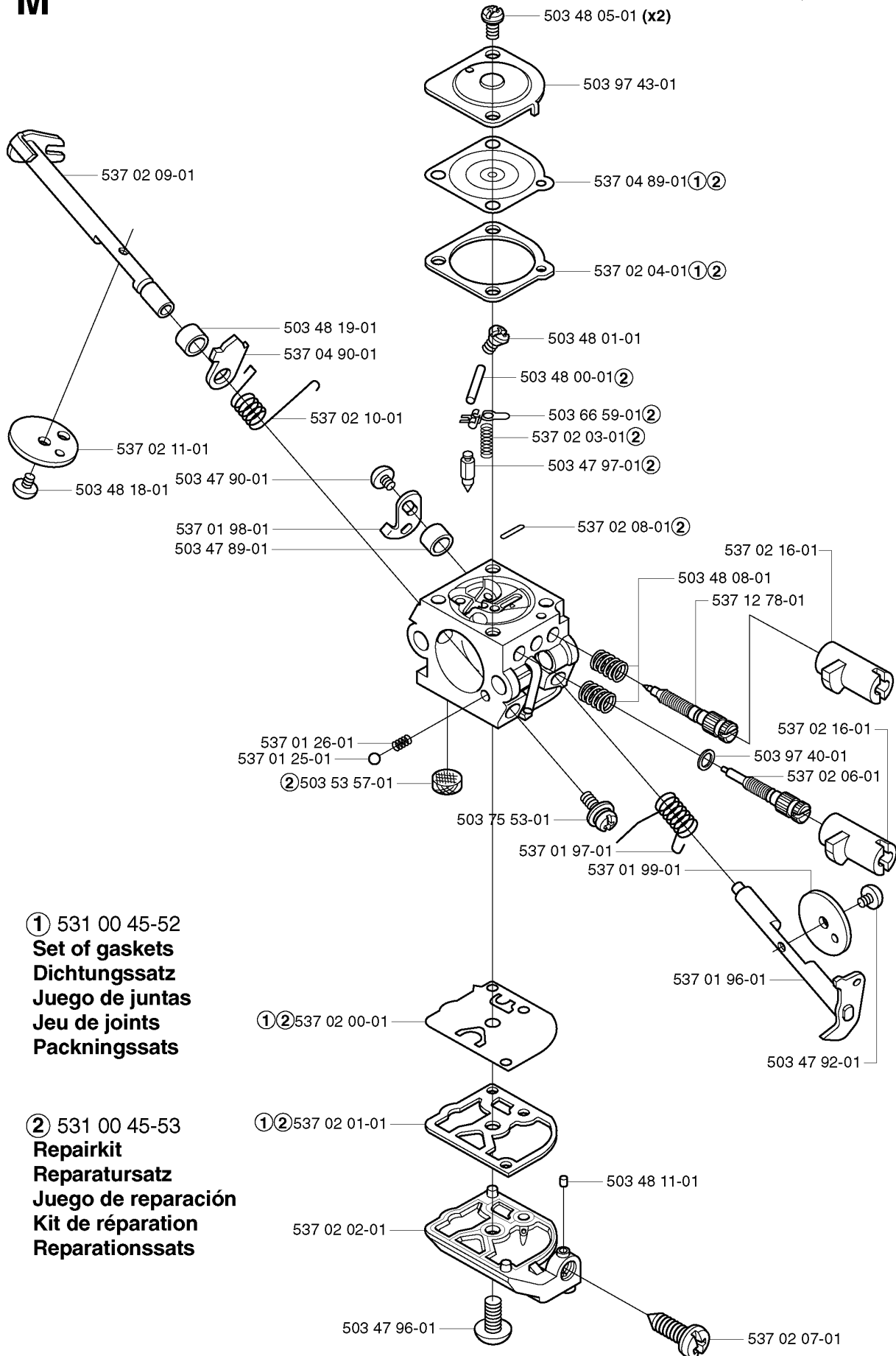
CARBURETOR & AIR FILTER

325 E X-SERIES, 2002-03

Part No	Description	Remark	QTY KIT
502 20 40-01	KNOB		1
502 20 65-03	SCREW EHHM		1
503 20 03-25	SCREW IHSCFM		2
503 21 75-16	SCREW IHSCFT		1
503 21 75-50	SCREW IHSCFT		2
503 22 65-04	SQUARE NUT		2
503 28 31-11	CARBURETTOR		1
503 49 71-01	GASKET		1
503 88 79-01	HUB CAP		1
503 88 80-01	FILTER COVER		1
503 89 03-01	FILTERBLOCK ASSY		1
503 91 09-01	INSULATION WALL		1
503 94 26-01	INLET PIPE		1
503 96 25-01	CHOKE CONTROL		1
537 18 63-01	AIR FILTER		1
731 23 14-01	HEXAGON NUT		1

M compl 503 28 31-11

ZAMA C1Q - EL 12



① 531 00 45-52
Set of gaskets
Dichtungssatz
Juego de juntas
Jeu de joints
Packningssats

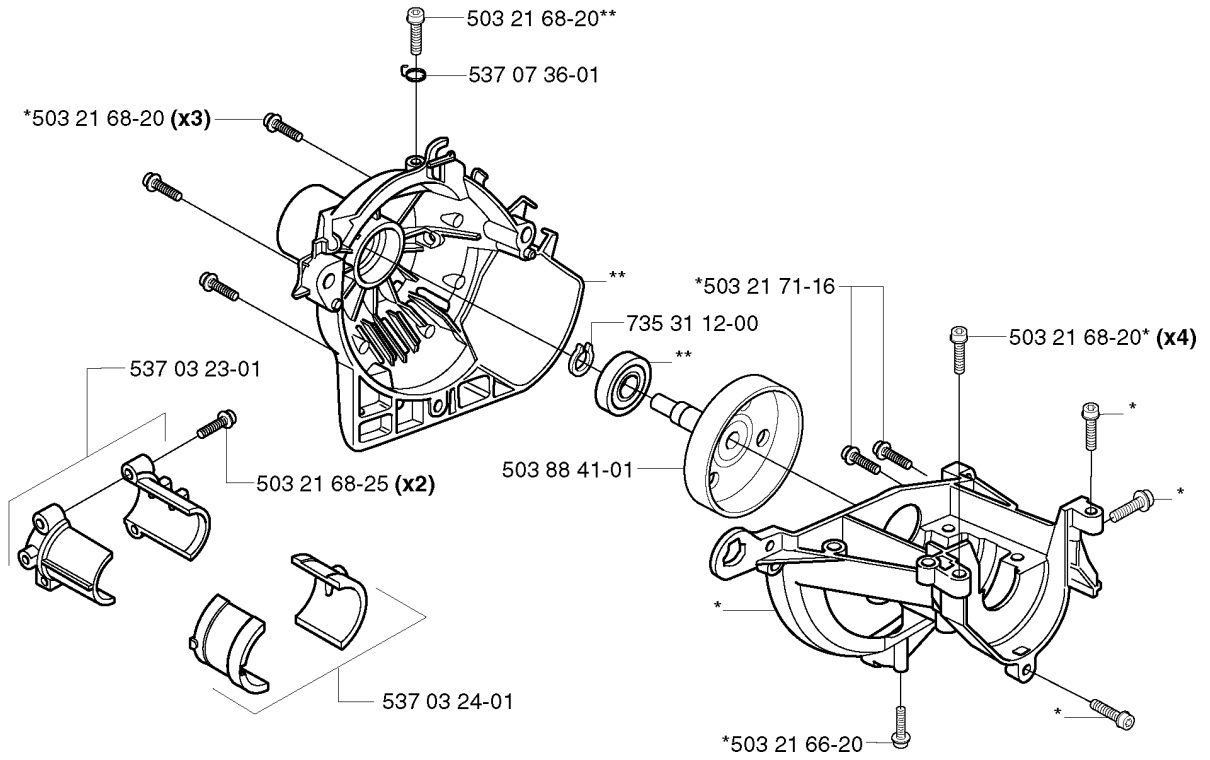
② 531 00 45-53
Repairkit
Reparatursatz
Juego de reparación
Kit de réparation
Reparationssats

CARBURETOR DETAILS

325 E X-SERIES, 2002-03

Part No	Description	Remark	QTY KIT
503 28 31-11	CARBURETTOR		1
503 47 89-01	COLLAR		1
503 47 90-01	SCREW		1
503 47 92-01	SCREW		1
503 47 96-01	SCREW		1
503 47 97-01	VALVE	531 00 45-53 REPAIRKIT	1
503 48 00-01	PIN RETAINING SCREW	531 00 45-53 REPAIRKIT	1
503 48 01-01	SCREW		1
503 48 05-01	SCREW		2
503 48 08-01	SPRING		1
503 48 11-01	PIECE		1
503 48 18-01	SCREW		1
503 48 19-01	COLLAR		1
503 53 57-01	STRAINER	531 00 45-53 REPAIRKIT	1
503 66 59-01	LEVER	531 00 45-53 REPAIRKIT	1
503 75 53-01	SCREW		1
503 97 40-01	WASHER		1
503 97 43-01	COVER		1
537 01 25-01	BALL		1
537 01 26-01	SPRING		1
537 01 96-01	SHAFT ASSY		1
537 01 97-01	SPRING		1
537 01 98-01	LEVER		1
537 01 99-01	VALVE		1
537 02 00-01	DIAPHRAGM PUMP	531 00 45-52 SET OF GASKETS 531 00 45-53 REPAIRKIT	1
537 02 01-01	GASKET PUMP	531 00 45-52 SET OF GASKETS 531 00 45-53 REPAIRKIT	1
537 02 02-01	COVER		1
537 02 03-01	SPRING	531 00 45-53 REPAIRKIT	1
537 02 04-01	GASKET	531 00 45-52 SET OF GASKETS 531 00 45-53 REPAIRKIT	1
537 02 06-01	SCREW		1
537 02 07-01	SCREW		1
537 02 08-01	PLUG	531 00 45-53 REPAIRKIT	1
537 02 09-01	SHAFT ASSY		1
537 02 10-01	SPRING		1
537 02 11-01	VALVE		1
537 02 16-01	LIMITER CAP		1
537 02 16-01	LIMITER CAP		1
537 04 89-01	DIAPHRAGM	531 00 45-52 SET OF GASKETS 531 00 45-53 REPAIRKIT	1
537 04 90-01	LEVER		1
537 12 78-01	SCREW		1

L *compl 537 04 11-01
**compl 537 04 12-03

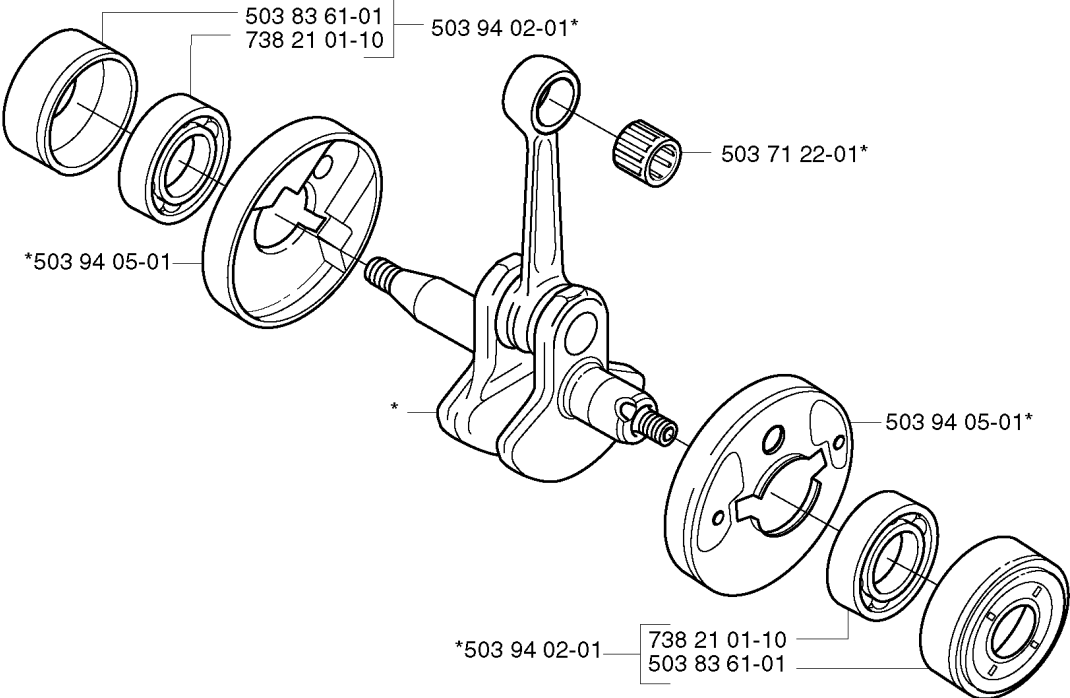


CRANKCASE

325 E X-SERIES, 2002-03

Part No	Description	Remark	QTY KIT
503 21 66-20	SCREW IHSC T		1
503 21 68-20	SCREW IHSC FT		3
503 21 68-20	SCREW IHSC FT		1
503 21 68-20	SCREW IHSC FT		4
503 21 68-25	SCREW IHSC FT		2
503 21 71-16	SCREW IHSC T		1
503 88 41-01	CLUTCH DRUM		1
537 03 23-01	CLAMPING SLEEVE ASSY		1
537 03 24-01	INSULATOR		1
537 04 11-01	CRANKCASE		1
537 04 12-03	CLUTCH COVER		1
537 07 36-01	SPRING		1
735 31 12-00	CIRCLIP		1

J *compl 503 85 24-74

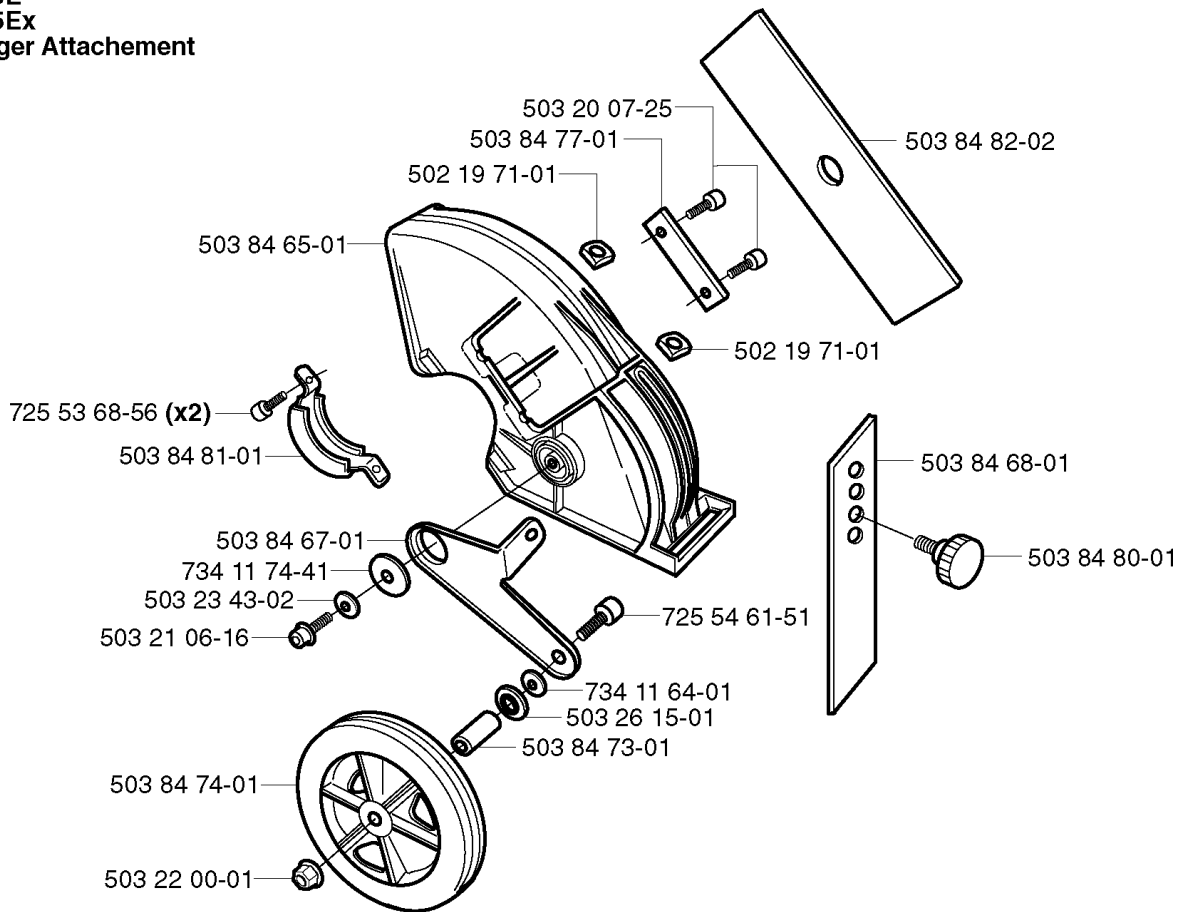


CRANKSHAFT

325 E X-SERIES, 2002-03

Part No	Description	Remark	QTY KIT
503 71 22-01	BEARING		1
503 83 61-01	BEARING CAGE		1
503 83 61-01	BEARING CAGE		1
503 85 24-74	CRANKSHAFT ASSY		1
503 94 02-01	BEARING CAGE		1
503 94 02-01	BEARING CAGE		1
503 94 05-01	CUP		1
503 94 05-01	CUP		1
738 21 01-10	BALL BEARING		1
738 21 01-10	BALL BEARING		1

**323E
325Ex
Edger Attachment**

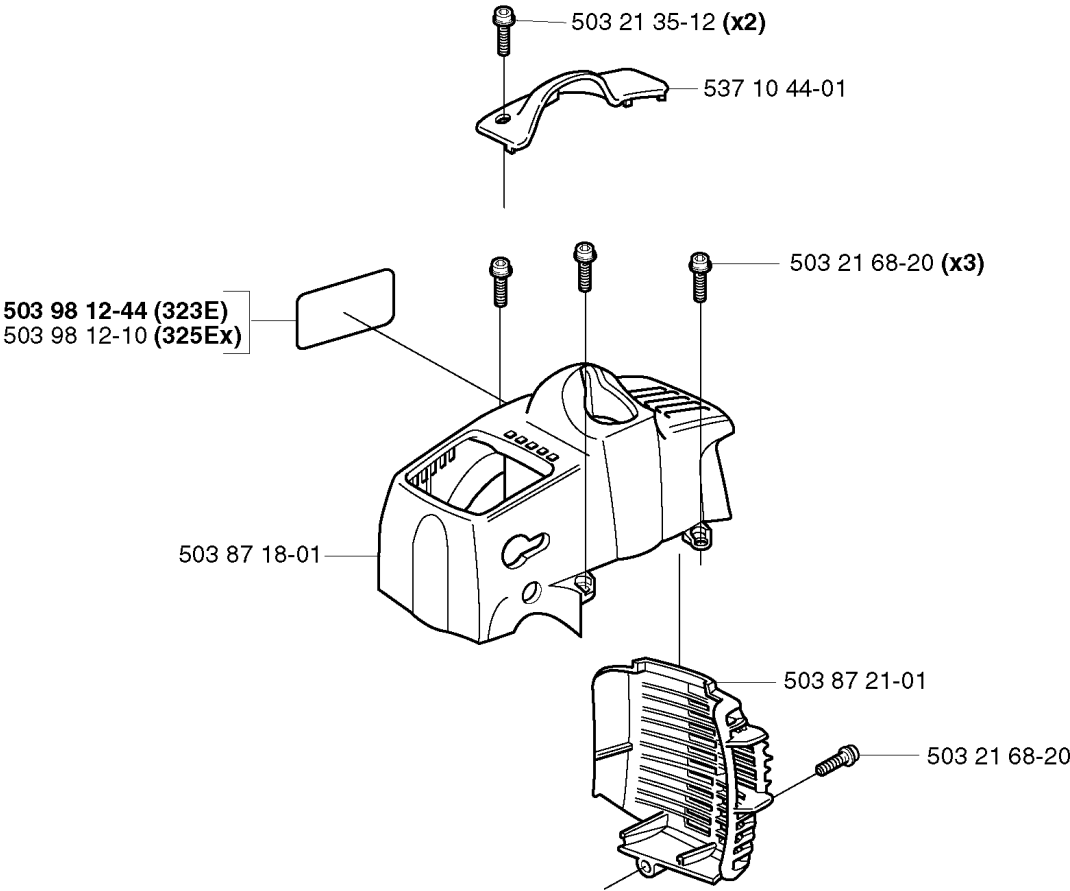


CUTTING EQUIPMENT

325 E X-SERIES, 2002-03

Part No	Description	Remark	QTY KIT
502 19 71-01	SQUARE NUT		1
502 19 71-01	SQUARE NUT		1
503 20 07-25	SCREW IHSCFM		1
503 21 06-16	SCREW IHSCFT		1
503 22 00-01	HEXAGON NUT FLANGE		1
503 23 43-02	WASHER		1
503 26 15-01	SEALING RING		1
503 84 65-01	PROTECTIVE COVER		1
503 84 67-01	BRACKET		1
503 84 68-01	SPLASH GUARD		1
503 84 73-01	PIPE		1
503 84 74-01	WHEEL		1
503 84 77-01	BASE PLATE		1
503 84 80-01	STEERING WHEEL		1
503 84 81-01	CLAMP		1
503 84 82-02	EDGER BLADE		1
725 53 68-56	SCREW IHSCM		2
725 54 61-51	SCREW IHSCM		1
734 11 64-01	WASHER		1
734 11 74-41	WASHER		1

D



CYLINDER COVER

325 E X-SERIES, 2002-03

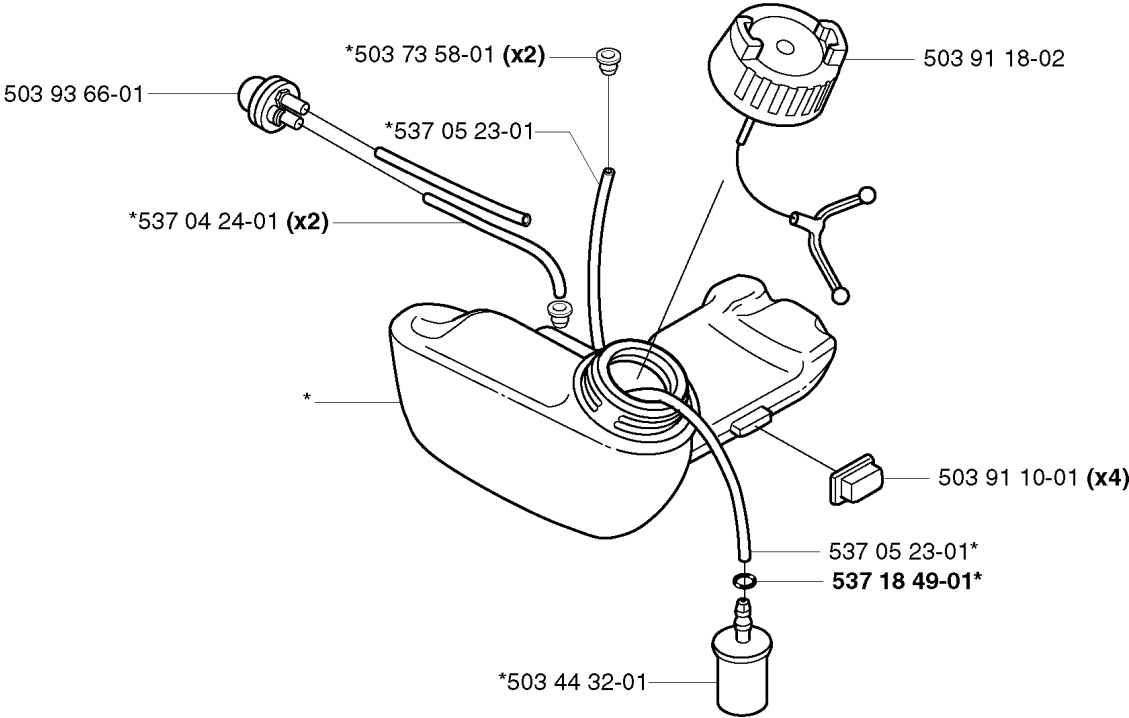
Part No	Description	Remark	QTY KIT
503 21 35-12	SCREW CCRPANT		2
503 21 68-20	SCREW IHSCFT		1
503 21 68-20	SCREW IHSCFT		3
503 87 18-01	CYLINDER COVER		1
503 87 21-01	HEAT PROTECTOR		1
503 98 12-10	LABEL	325EX	1
503 98 12-44	LABEL	323E	1
537 10 44-01	ARM PROTECTION		1

CYLINDER, PISTON & MUFFLER

325 E X-SERIES, 2002-03

Part No	Description	Remark	QTY KIT
503 20 07-35	SCREW IHSCFM		4
503 20 29-50	SCREW IHSCFM		2
503 28 90-41	PISTON RING		2
503 71 22-01	BEARING		1
503 87 17-01	SPARK ARRESTOR SCREEN	CAT.	1
537 01 32-75	PISTON		1
537 01 41-01	GASKET		1
537 03 20-05	PISTON		1
537 03 94-01	MUFFLER ASSY	CAT.	1
537 15 99-01	SPARK ARRESTOR SCREEN		1
537 16 19-01	MUFFLER ASSY		1
737 44 08-00	CIRCLIP		2

G *compl 537 06 86-01

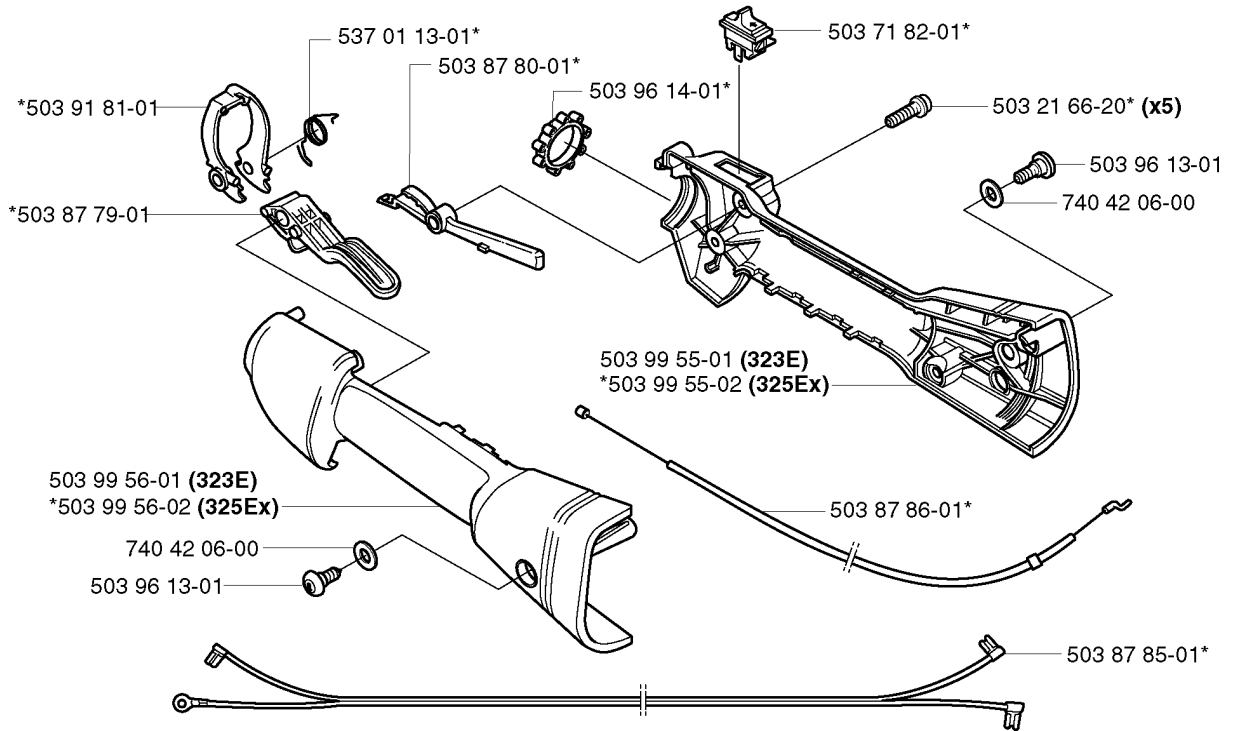


FUEL TANK

325 E X-SERIES, 2002-03

Part No	Description	Remark	QTY KIT
503 44 32-01	FILTER		1
503 73 58-01	BUSHING		2
503 91 10-01	SUSPENSION		4
503 91 18-02	TANK CAP		1
503 93 66-01	PRIMER HOUSING		1
537 04 24-01	FUEL HOSE		2
537 05 23-01	FUEL HOSE		1
537 05 23-01	FUEL HOSE		1
537 06 86-01	FUEL TANK		1
537 18 49-01	O-RING		1

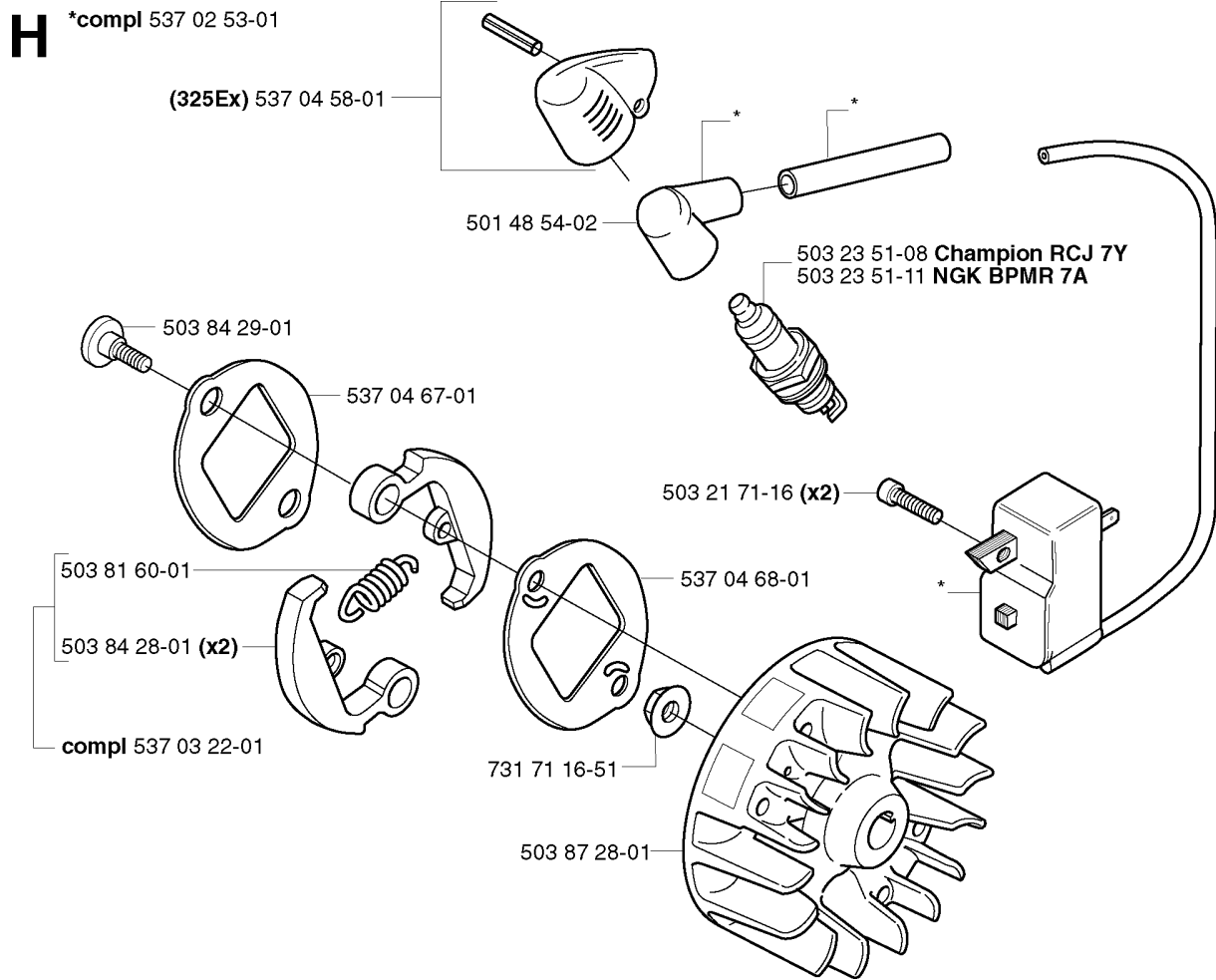
C *compl 503 85 29-02



HANDLE

325 E X-SERIES, 2002-03

Part No	Description	Remark	QTY KIT
503 21 66-20	SCREW IHSCT		5
503 71 82-01	SWITCH		1
503 85 29-02	HANDLE		1
503 87 79-01	THROTTLE TRIGGER		1
503 87 80-01	THROTTLE LOCKOUT		1
503 87 85-01	SHORT CIRCUIT CABLE		1
503 87 86-01	THROTTLE WIRE ASSY		1
503 91 81-01	THROTTLE LEVER		1
503 96 13-01	SCREW		1
503 96 13-01	SCREW		1
503 96 14-01	VIBRATION ABSORBER		1
503 99 55-01	HANDLE HALF RIGHT	323E	1
503 99 55-02	HANDLE HALF RIGHT	325EX	1
503 99 56-01	HANDLE HALF	323E	1
503 99 56-02	HANDLE HALF	325EX	1
537 01 13-01	RECOIL SPRING		1
740 42 06-00	O-RING		1
740 42 06-00	O-RING		1



IGNITION SYSTEM

325 E X-SERIES, 2002-03

Part No	Description	Remark	QTY KIT
501 48 54-02	SPARK PLUG CAP		1
503 21 71-16	SCREW IHSCT		2
503 23 51-08	SPARK PLUG	CHAMPION RCJ 7Y	1
503 23 51-11	SPARK PLUG	NGK BPMR 7A	1
503 81 60-01	CLUTCH SPRING		1
503 84 28-01	CLUTCH SHOE		2
503 84 29-01	SCREW		1
503 87 28-01	FLYWHEEL		1
537 02 53-01	ELECTRONIC MODULE		1
537 03 22-01	CLUTCH ASSY		1
537 04 58-01	COVER	325EX	1
537 04 67-01	WASHER		1
537 04 68-01	WASHER		1
731 71 16-51	HEXAGON NUT FLANGED		1

SHAFT & HANDLE

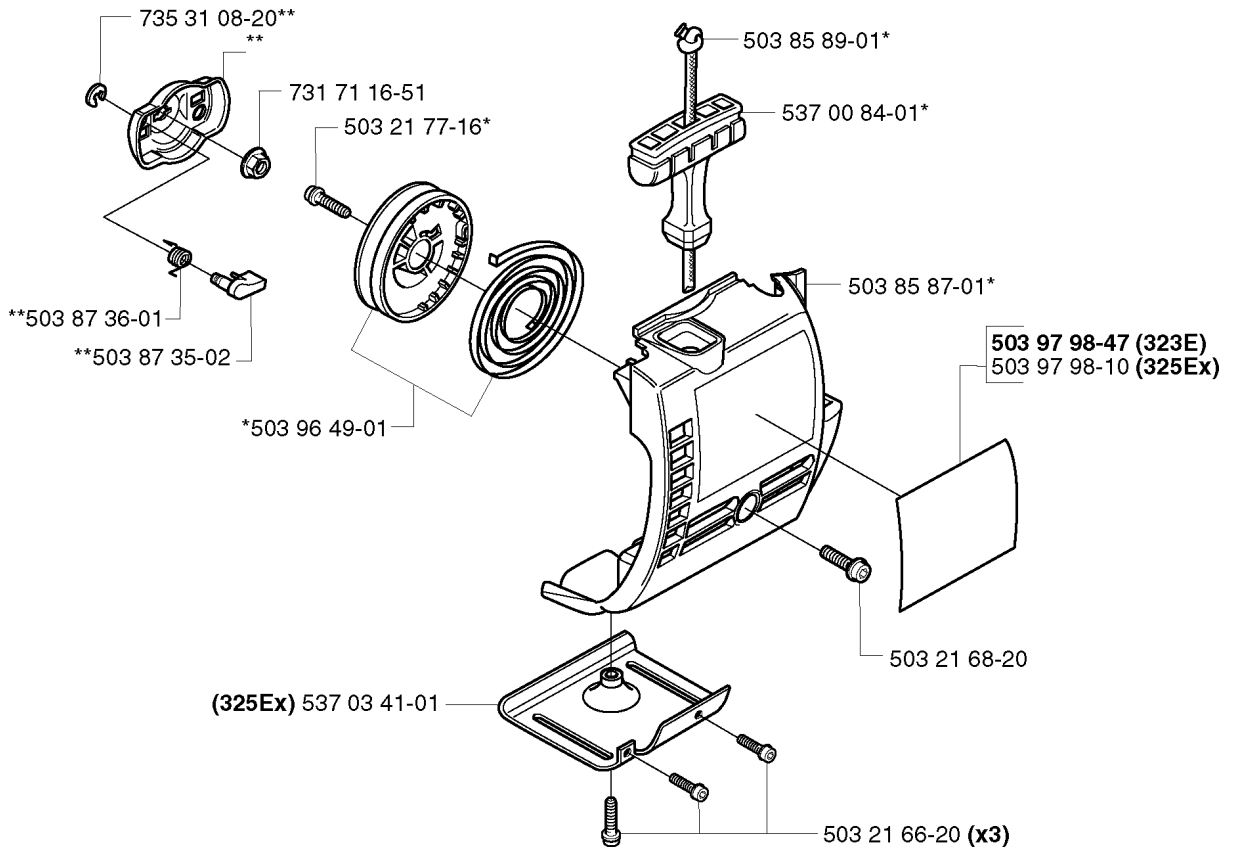
325 E X-SERIES, 2002-03

Ref	Part No	Description	Remark	QTY KIT
537 07 68-01	537 07 68-01	HANDLE	323E	1
537 04 25-01	537 04 25-01	ATTACHMENT PLATE		1
503 22 26-01	503 22 26-01	NUT		1
537 03 83-01	537 03 83-01	TUBE		1
587 11 18-01	503 84 78-01	LABEL		1
503 84 69-01	503 84 69-01	SHAFT		1
503 21 98-35	503 21 98-35	SCREW		1
537 07 68-02	537 07 68-02	HANDLE	325EX	1
537 04 25-01	537 04 25-01	ATTACHMENT PLATE		1
503 22 26-01	503 22 26-01	NUT		1
503 21 98-35	503 21 98-35	SCREW		1

F

**compl 503 87 33-02

*compl 503 85 28-01



STARTER

325 E X-SERIES, 2002-03

Part No	Description	Remark	QTY KIT
503 21 66-20	SCREW IHSC T		3
503 21 68-20	SCREW IHSC FT		1
503 21 77-16	SCREW IHSC T		1
503 85 28-01	STARTER ASSY		1
503 85 87-01	STARTER HOUSING		1
503 85 89-01	STARTER CORD		1
503 87 33-02	STARTER PAWL BRIDGE		1
503 87 35-02	STARTER PAWL		1
503 87 36-01	SPRING		1
503 96 49-01	STARTER PULLEY		1
503 97 98-10	DECAL STARTER	325EX	1
503 97 98-47	DECAL STARTER	323E	1
537 00 84-01	STARTER HANDLE		1
537 03 41-01	PROTECTIVE PLATE	325EX	1
731 71 16-51	HEXAGON NUT FLANGED		1
735 31 08-20	E-CLIP		1