

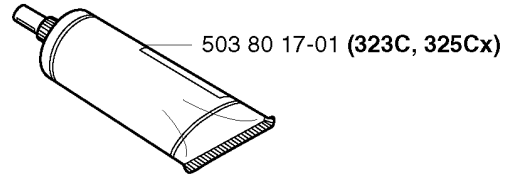
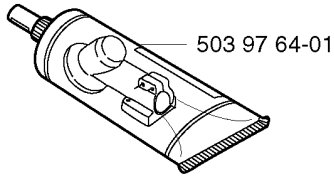
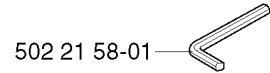
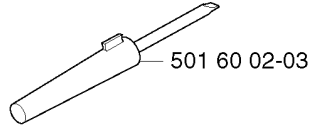
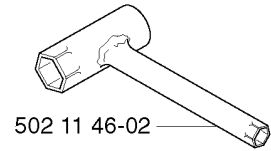
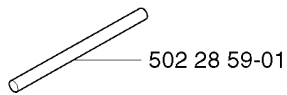


# SPARE PARTS LIST

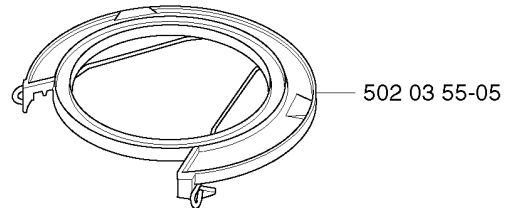
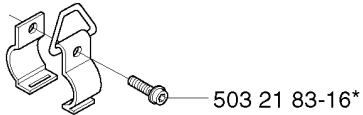
TRIMMERS/EDGERS

325 LXT, 2002-01

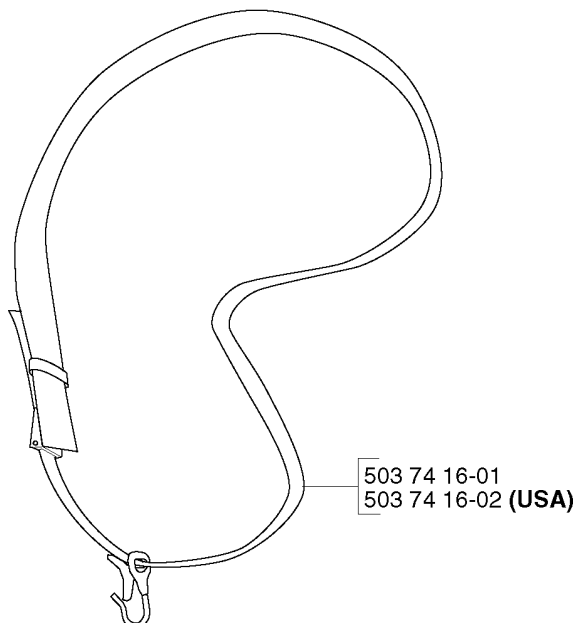
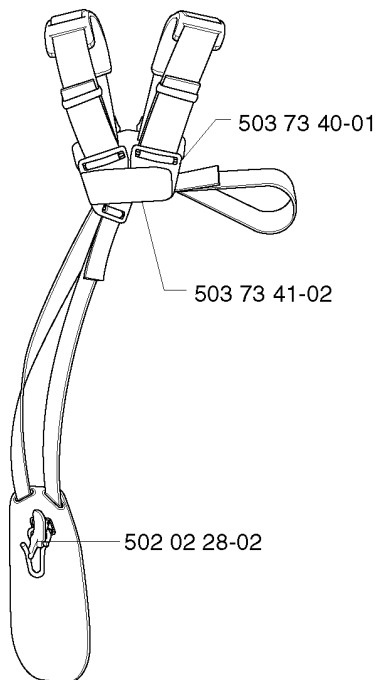
**Q** Accessories  
Zubehöre  
Accessoires  
Acessorios  
Tillbehör



\*compl 501 78 33-01



compl 503 73 63-03  
compl 503 73 63-04 (USA)



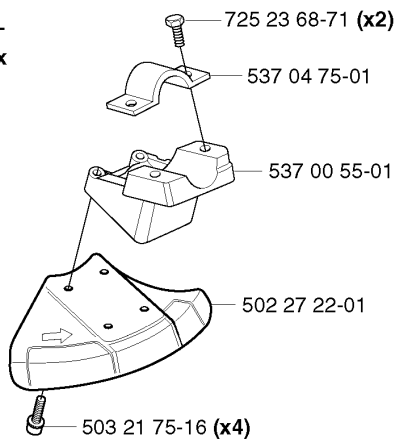
## ACCESSORIES

325 LXT, 2002-01

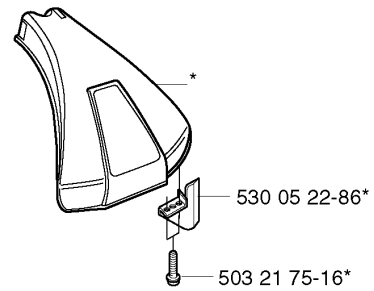
| Part No      | Description     | Remark      | QTY KIT |
|--------------|-----------------|-------------|---------|
| 501 60 02-03 | SCREWDRIVER     |             | 1       |
| 501 78 33-01 | SUSPENSION BAIL |             | 1       |
| 502 02 28-02 | WELT HOOK       |             | 1       |
| 502 03 55-05 | TRANSPORT GUARD |             | 1       |
| 502 11 46-02 | SOCKET WRENCH   |             | 1       |
| 502 21 58-01 | L-NYCKEL        |             | 1       |
| 502 28 59-01 | STOP            |             | 1       |
| 503 21 83-16 | SCREW           |             | 1       |
| 503 73 40-01 | FRONT PIECE     |             | 1       |
| 503 73 41-02 | FRONT PIECE     |             | 1       |
| 503 73 63-03 | HARNESS         |             | 1       |
| 503 73 63-04 | HARNESS ASSY    | USA         | 1       |
| 503 74 16-01 | HARNESS ASSY    |             | 1       |
| 503 74 16-02 | HARNESS ASSY    | USA         | 1       |
| 503 80 17-01 | GREASE          | 323C, 325CX | 1       |
| 503 97 64-01 | GREASE          |             | 1       |

**Q Accessories**  
**Zubehöre**  
**Accessoires**  
**Accesorios**  
**Tillbehör**

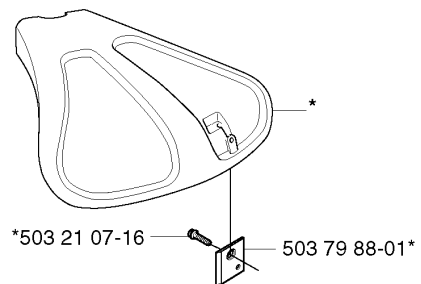
\*compl 537 02 21-01  
 323R  
 325Rx  
 325RxT  
 325RDx



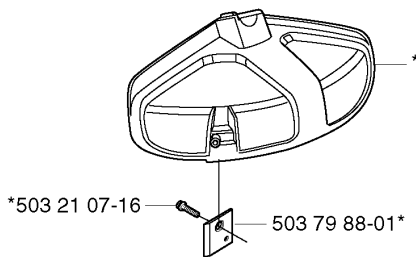
\*compl 537 02 61-01  
 323C  
 325C



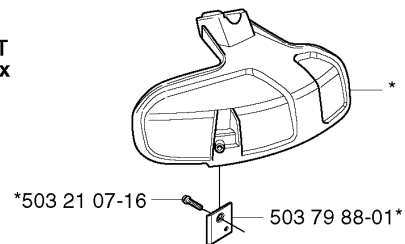
\*compl 537 07 67-01  
 325Cx



\*compl 503 93 42-02  
 323R  
 325Rx  
 325RJx  
 325RxT  
 325RDx



\*compl 503 97 71-01  
 322L  
 323L  
 323LD  
 325Lx  
 325LxT  
 325LDx

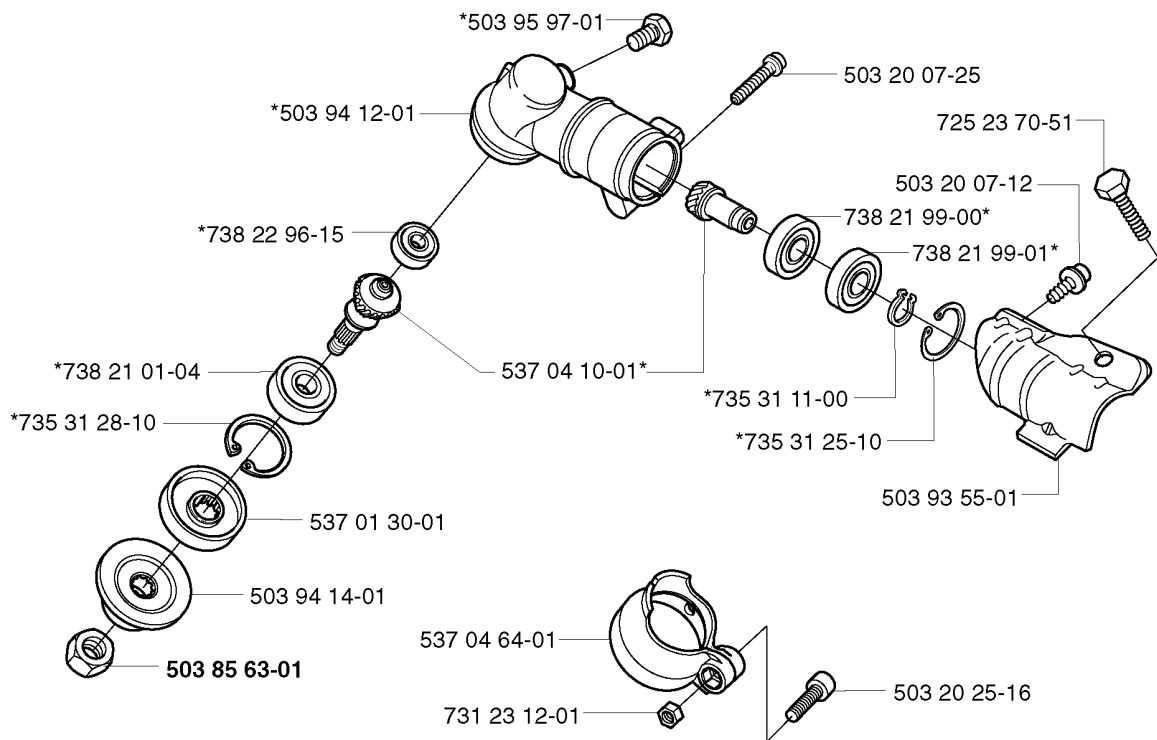


## ACCESSORIES

325 LXT, 2002-01

| Part No      | Description     | Remark | QTY KIT |
|--------------|-----------------|--------|---------|
| 502 27 22-01 | SAW BLADE GUARD |        | 1       |
| 503 21 07-16 | SCREW IHSC T    |        | 1       |
| 503 21 07-16 | SCREW IHSC T    |        | 1       |
| 503 21 07-16 | SCREW IHSC T    |        | 1       |
| 503 21 75-16 | SCREW IHSC FT   |        | 4       |
| 503 21 75-16 | SCREW IHSC FT   |        | 1       |
| 503 79 88-01 | BLADE           |        | 1       |
| 503 79 88-01 | BLADE           |        | 1       |
| 503 79 88-01 | BLADE           |        | 1       |
| 503 93 42-02 | COMBI GUARD     |        | 1       |
| 503 97 71-01 | TRIMMER GUARD   |        | 1       |
| 530 05 22-86 | LINE LIMITER    |        | 1       |
| 537 00 55-01 | ADAPTER         |        | 1       |
| 537 02 21-01 | SAW BLADE GUARD |        | 1       |
| 537 02 61-01 | TRIMMER GUARD   |        | 1       |
| 537 04 75-01 | CLAMP           |        | 1       |
| 537 07 67-01 | TRIMMER GUARD   |        | 1       |
| 725 23 68-71 | SCREW EHHM      |        | 2       |

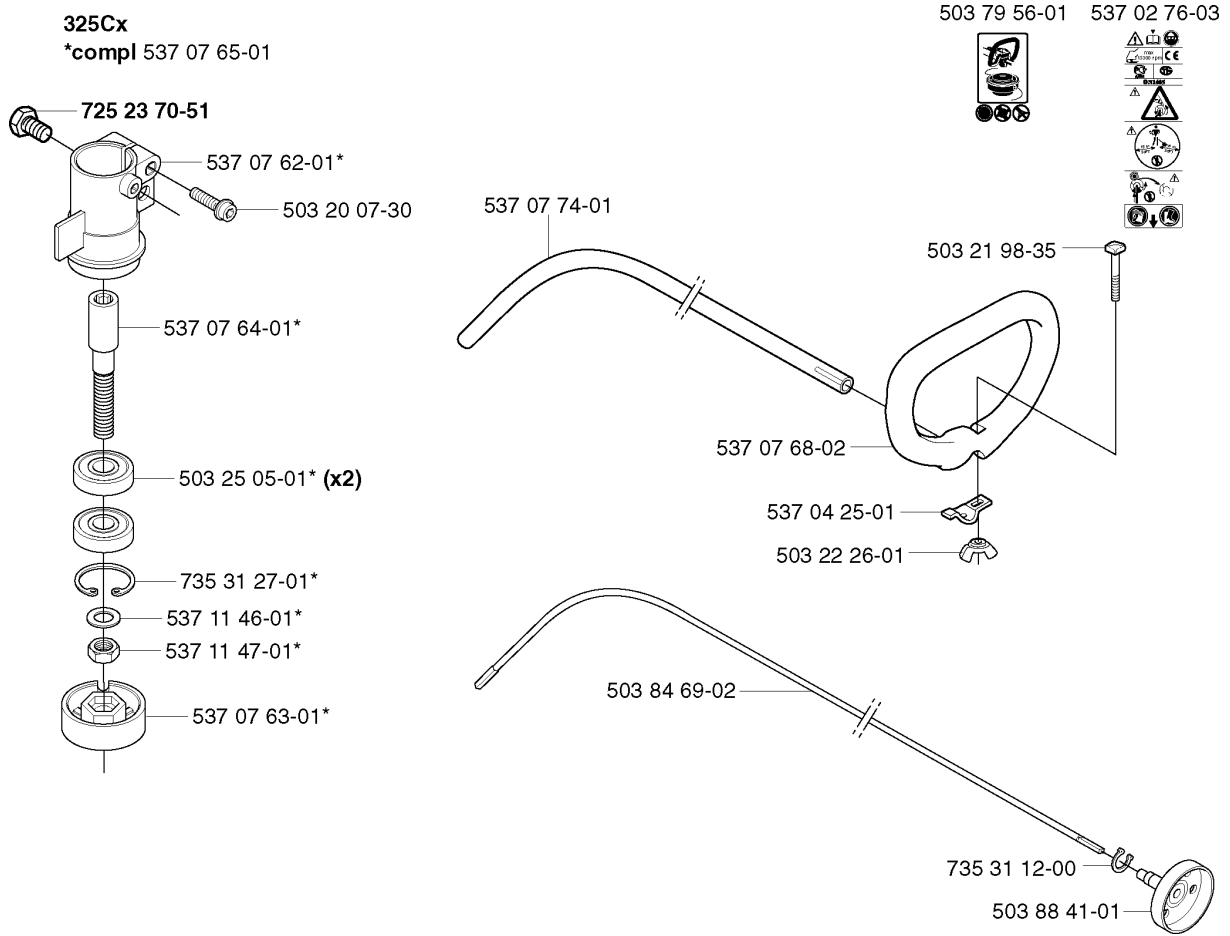
**F** \*compl 503 94 11-01



## BEVEL GEAR

325 LXT, 2002-01

| Part No      | Description    | Remark | QTY KIT |
|--------------|----------------|--------|---------|
| 503 20 07-12 | SCREW IHSCFM   |        | 1       |
| 503 20 07-25 | SCREW IHSCFM   |        | 1       |
| 503 20 25-16 | SCREW IHSCM    |        | 1       |
| 503 85 63-01 | NUT            |        | 1       |
| 503 93 55-01 | CLAMP.GUARD    |        | 1       |
| 503 94 11-01 | GEAR ASSY      |        | 1       |
| 503 94 12-01 | GEAR HOUSING   |        | 1       |
| 503 94 14-01 | SUPPORT FLANGE |        | 1       |
| 503 95 97-01 | SCREW          |        | 1       |
| 537 01 30-01 | DRIVER         |        | 1       |
| 537 04 10-01 | GEAR WHEEL KIT |        | 1       |
| 537 04 64-01 | GRASS SEALING  |        | 1       |
| 725 23 70-51 | SCREW          |        | 1       |
| 731 23 12-01 | HEXAGON NUT    |        | 1       |
| 735 31 11-00 | CIRCLIP        |        | 1       |
| 735 31 25-10 | CIRCLIP        |        | 1       |
| 735 31 28-10 | CIRCLIP        |        | 1       |
| 738 21 01-04 | BALL BEARING   |        | 1       |
| 738 21 99-00 | BALL BEARING   |        | 1       |
| 738 21 99-01 | BALL BEARING   |        | 1       |
| 738 22 96-15 | BALL BEARING   |        | 1       |



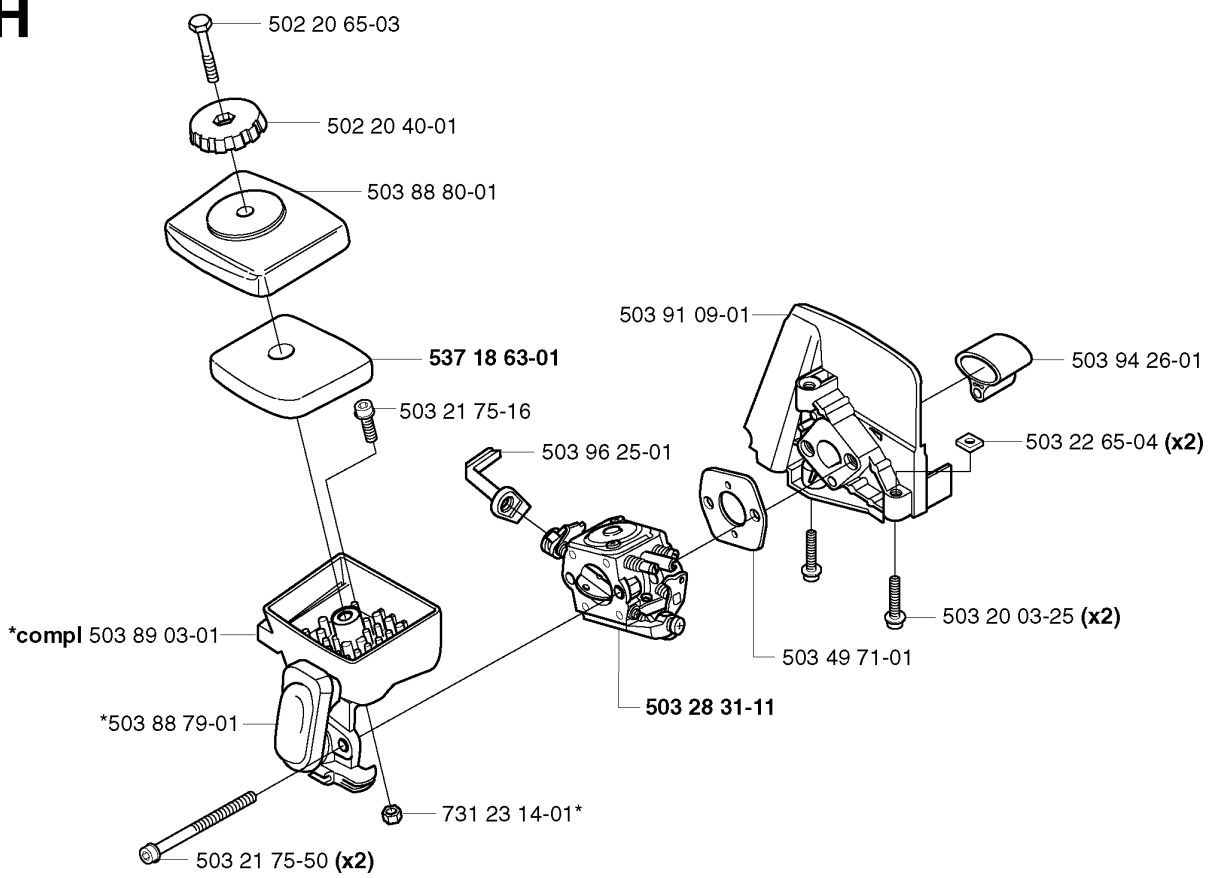


## BEVEL GEAR &amp; SHAFT

325 LXT, 2002-01

| Part No      | Description      | Remark | QTY KIT |
|--------------|------------------|--------|---------|
| 503 20 07-30 | SCREW IHSCFM     |        | 1       |
| 503 21 98-35 | SCREW            |        | 1       |
| 503 22 26-01 | NUT              |        | 1       |
| 503 25 05-01 | BALL BEARING     |        | 2       |
| 503 79 56-01 | LABEL            |        | 1       |
| 503 84 69-02 | SHAFT            |        | 1       |
| 503 88 41-01 | CLUTCH DRUM      |        | 1       |
| 537 02 76-03 | LABEL            |        | 1       |
| 537 04 25-01 | ATTACHMENT PLATE |        | 1       |
| 537 07 62-01 | BEARING HOUSING  |        | 1       |
| 537 07 63-01 | DRIVER           |        | 1       |
| 537 07 64-01 | BLADE SHAFT      |        | 1       |
| 537 07 65-01 | BEARING HOUSING  |        | 1       |
| 537 07 68-02 | HANDLE           |        | 1       |
| 537 07 74-01 | TUBE             |        | 1       |
| 537 11 46-01 | WASHER           |        | 1       |
| 537 11 47-01 | NUT              |        | 1       |
| 725 23 70-51 | SCREW            |        | 1       |
| 735 31 12-00 | CIRCLIP          |        | 1       |
| 735 31 27-01 | CIRCLIP          |        | 1       |

**H**



## CARBURETOR &amp; AIR FILTER

325 LXT, 2002-01

| Part No      | Description      | Remark | QTY KIT |
|--------------|------------------|--------|---------|
| 502 20 40-01 | KNOB             |        | 1       |
| 502 20 65-03 | SCREW EHHM       |        | 1       |
| 503 20 03-25 | SCREW IHSCFM     |        | 2       |
| 503 21 75-16 | SCREW IHSCFT     |        | 1       |
| 503 21 75-50 | SCREW IHSCFT     |        | 2       |
| 503 22 65-04 | SQUARE NUT       |        | 2       |
| 503 28 31-11 | CARBURETTOR      |        | 1       |
| 503 49 71-01 | GASKET           |        | 1       |
| 503 88 79-01 | HUB CAP          |        | 1       |
| 503 88 80-01 | FILTER COVER     |        | 1       |
| 503 89 03-01 | FILTERBLOCK ASSY |        | 1       |
| 503 91 09-01 | INSULATION WALL  |        | 1       |
| 503 94 26-01 | INLET PIPE       |        | 1       |
| 503 96 25-01 | CHOKE CONTROL    |        | 1       |
| 537 18 63-01 | AIR FILTER       |        | 1       |
| 731 23 14-01 | HEXAGON NUT      |        | 1       |

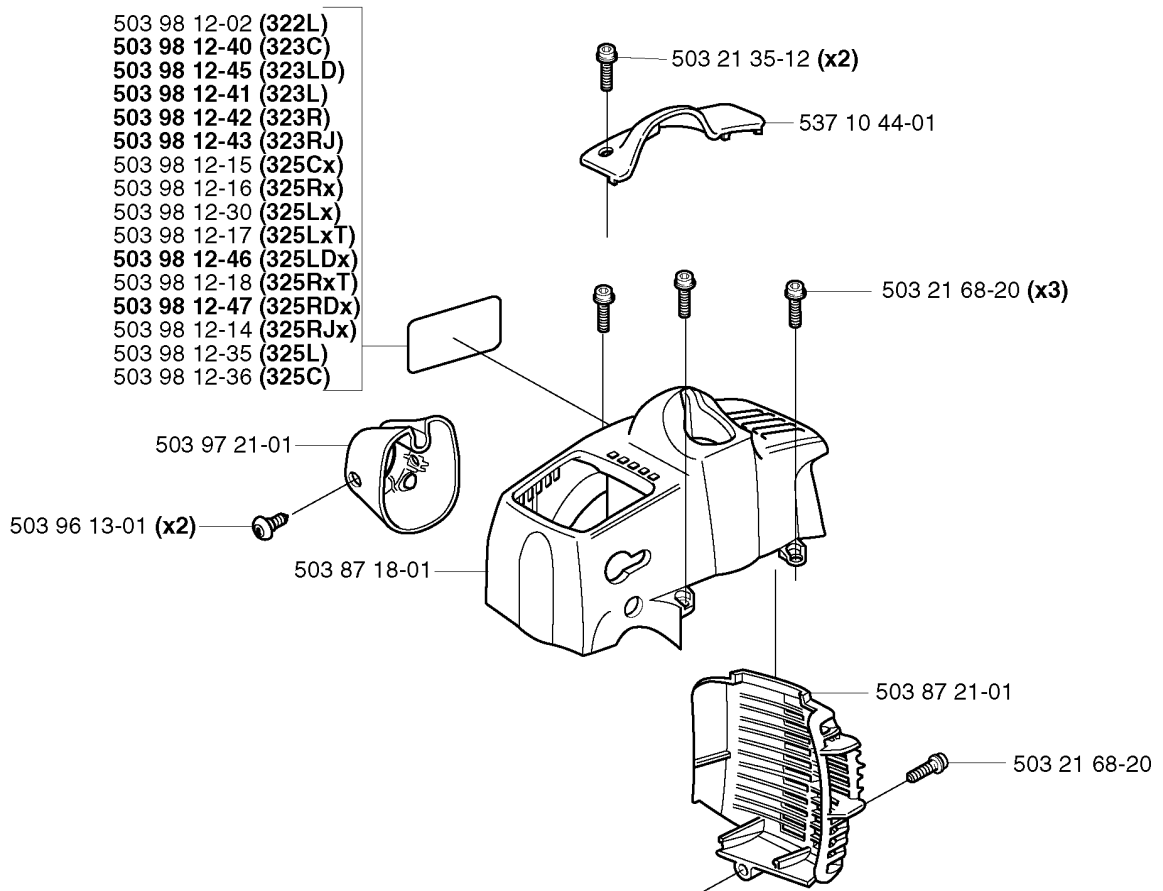


## CARBURETOR DETAILS

325 LXT, 2002-01

| Part No      | Description         | Remark   | QTY KIT |
|--------------|---------------------|--|---------|
| 503 28 31-11 | CARBURETTOR         |  | 1       |
| 503 47 89-01 | COLLAR              |  | 1       |
| 503 47 90-01 | SCREW               |  | 1       |
| 503 47 92-01 | SCREW               |  | 1       |
| 503 47 96-01 | SCREW               |  | 1       |
| 503 47 97-01 | VALVE               | 531 00 45-53 REPAIRKIT                                   | 1       |
| 503 48 00-01 | PIN RETAINING SCREW | 531 00 45-53 REPAIRKIT                                   | 1       |
| 503 48 01-01 | SCREW               |  | 1       |
| 503 48 05-01 | SCREW               |  | 2       |
| 503 48 08-01 | SPRING              |  | 1       |
| 503 48 11-01 | PIECE               |  | 1       |
| 503 48 18-01 | SCREW               |  | 1       |
| 503 48 19-01 | COLLAR              |  | 1       |
| 503 53 57-01 | STRAINER            | 531 00 45-53 REPAIRKIT                                   | 1       |
| 503 66 59-01 | LEVER               | 531 00 45-53 REPAIRKIT                                   | 1       |
| 503 75 53-01 | SCREW               |  | 1       |
| 503 97 40-01 | WASHER              |  | 1       |
| 503 97 43-01 | COVER               |  | 1       |
| 537 01 25-01 | BALL                |  | 1       |
| 537 01 26-01 | SPRING              |  | 1       |
| 537 01 96-01 | SHAFT ASSY          |  | 1       |
| 537 01 97-01 | SPRING              |  | 1       |
| 537 01 98-01 | LEVER               |  | 1       |
| 537 01 99-01 | VALVE               |  | 1       |
| 537 02 00-01 | DIAPHRAGM PUMP      | 531 00 45-52 SET OF<br>GASKETS 531 00 45-53<br>REPAIRKIT | 1       |
| 537 02 01-01 | GASKET              | 531 00 45-52 SET OF<br>GASKETS 531 00 45-53<br>REPAIRKIT | 1       |
| 537 02 02-01 | COVER               |  | 1       |
| 537 02 03-01 | SPRING              | 531 00 45-53 REPAIRKIT                                   | 1       |
| 537 02 04-01 | GASKET              | 531 00 45-52 SET OF<br>GASKETS 531 00 45-53<br>REPAIRKIT | 1       |
| 537 02 06-01 | SCREW               |  | 1       |
| 537 02 07-01 | SCREW               |  | 1       |
| 537 02 08-01 | PLUG                | 531 00 45-53 REPAIRKIT                                   | 1       |
| 537 02 09-01 | SHAFT ASSY          |  | 1       |
| 537 02 10-01 | SPRING              |  | 1       |
| 537 02 11-01 | VALVE               |  | 1       |
| 537 02 16-01 | LIMITER CAP         |  | 1       |
| 537 02 16-01 | LIMITER CAP         |  | 1       |
| 537 04 89-01 | DIAPHRAGM           | 531 00 45-52 SET OF<br>GASKETS 531 00 45-53<br>REPAIRKIT | 1       |
| 537 04 90-01 | LEVER               |  | 1       |
| 537 12 78-01 | SCREW               |  | 1       |

# G

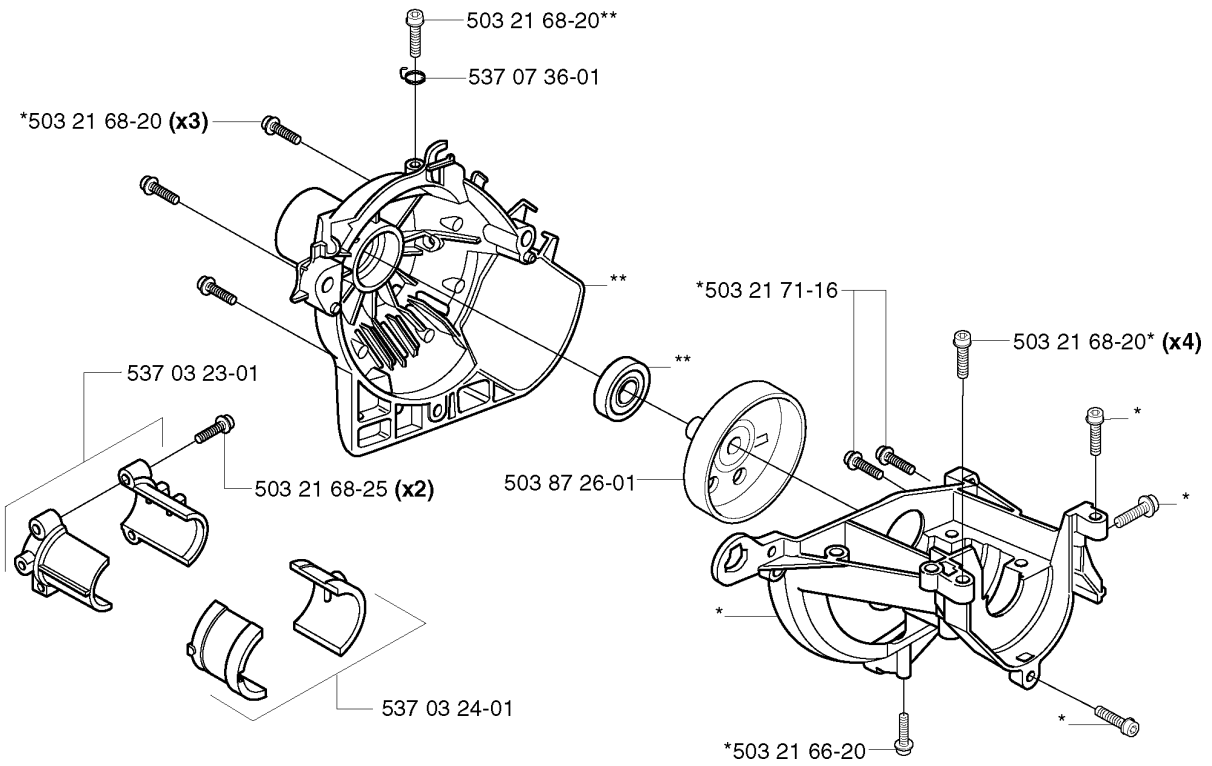


## COVER

325 LXT, 2002-01

| Part No      | Description    | Remark | QTY KIT |
|--------------|----------------|--------|---------|
| 503 21 35-12 | SCREW CCRPANT  |        | 2       |
| 503 21 68-20 | SCREW IHSCFT   |        | 1       |
| 503 21 68-20 | SCREW IHSCFT   |        | 3       |
| 503 87 18-01 | CYLINDER COVER |        | 1       |
| 503 87 21-01 | HEAT PROTECTOR |        | 1       |
| 503 96 13-01 | SCREW          |        | 2       |
| 503 97 21-01 | COVER          |        | 1       |
| 503 98 12-02 | LABEL          | 322L   | 1       |
| 503 98 12-14 | LABEL          | 325RJX | 1       |
| 503 98 12-15 | LABEL          | 325CX  | 1       |
| 503 98 12-16 | LABEL          | 325RX  | 1       |
| 503 98 12-17 | LABEL          | 325LXT | 1       |
| 503 98 12-18 | LABEL          | 325RXT | 1       |
| 503 98 12-30 | LABEL          | 325LX  | 1       |
| 503 98 12-35 | LABEL          | 325L   | 1       |
| 503 98 12-36 | LABEL          | 325C   | 1       |
| 503 98 12-40 | LABEL          | 323C   | 1       |
| 503 98 12-41 | LABEL          | 323L   | 1       |
| 503 98 12-42 | LABEL          | 323R   | 1       |
| 503 98 12-43 | LABEL          | 323RJ  | 1       |
| 503 98 12-45 | LABEL          | 323LD  | 1       |
| 503 98 12-46 | LABEL          | 325LDX | 1       |
| 503 98 12-47 | LABEL          | 325RDX | 1       |
| 537 10 44-01 | ARM PROTECTION |        | 1       |

**N** \*compl 537 04 11-01  
\*\*compl 537 04 12-03





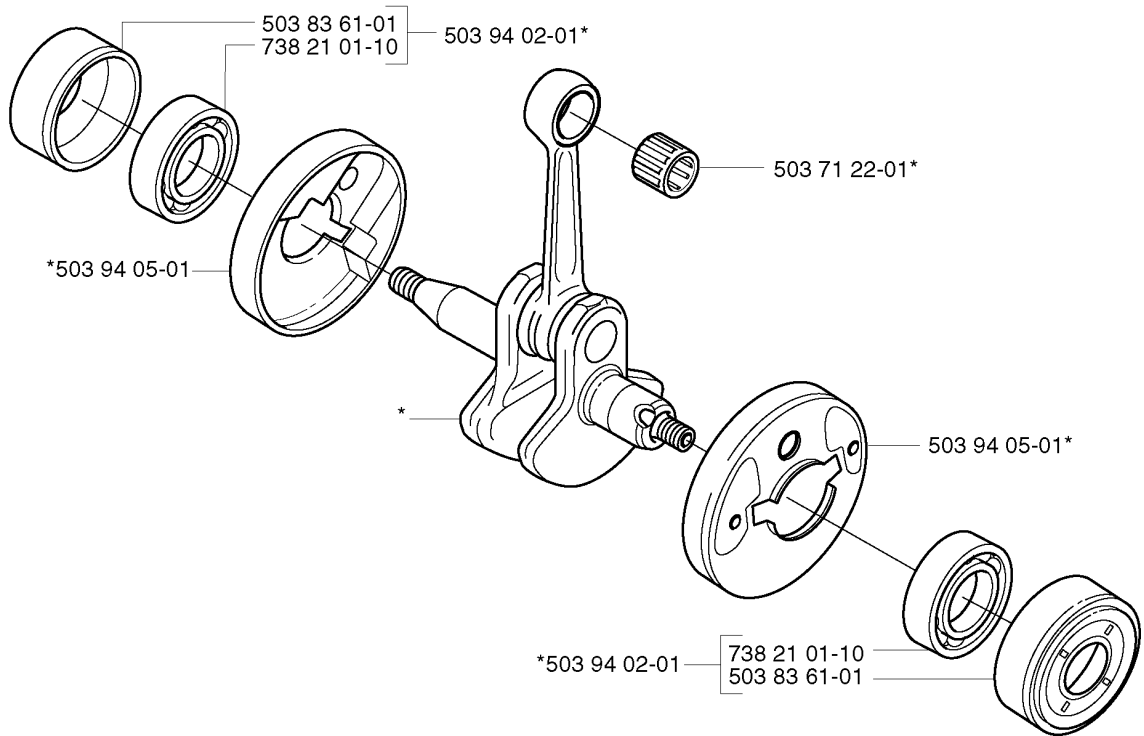
## CRANKCASE

325 LXT, 2002-01

| Part No      | Description          | Remark | QTY KIT |
|--------------|----------------------|--------|---------|
| 503 21 66-20 | SCREW IHSCFT         |        | 1       |
| 503 21 68-20 | SCREW IHSCFT         |        | 3       |
| 503 21 68-20 | SCREW IHSCFT         |        | 4       |
| 503 21 68-20 | SCREW IHSCFT         |        | 1       |
| 503 21 68-25 | SCREW IHSCFT         |        | 2       |
| 503 21 71-16 | SCREW IHSCFT         |        | 1       |
| 503 87 26-01 | CLUTCH DRUM ASSY     |        | 1       |
| 537 03 23-01 | CLAMPING SLEEVE ASSY |        | 1       |
| 537 03 24-01 | INSULATOR            |        | 1       |
| 537 04 11-01 | CRANKCASE            |        | 1       |
| 537 04 12-03 | CLUTCH COVER         |        | 1       |
| 537 07 36-01 | SPRING               |        | 1       |

**P**

\*compl 503 85 24-74



## CRANKSHAFT

325 LXT, 2002-01

| Part No      | Description     | Remark | QTY KIT |
|--------------|-----------------|--------|---------|
| 503 71 22-01 | BEARING         |        | 1       |
| 503 83 61-01 | BEARING CAGE    |        | 1       |
| 503 83 61-01 | BEARING CAGE    |        | 1       |
| 503 85 24-74 | CRANKSHAFT ASSY |        | 1       |
| 503 94 02-01 | BEARING CAGE    |        | 1       |
| 503 94 02-01 | BEARING CAGE    |        | 1       |
| 503 94 05-01 | CUP             |        | 1       |
| 503 94 05-01 | CUP             |        | 1       |
| 738 21 01-10 | BALL BEARING    |        | 1       |
| 738 21 01-10 | BALL BEARING    |        | 1       |

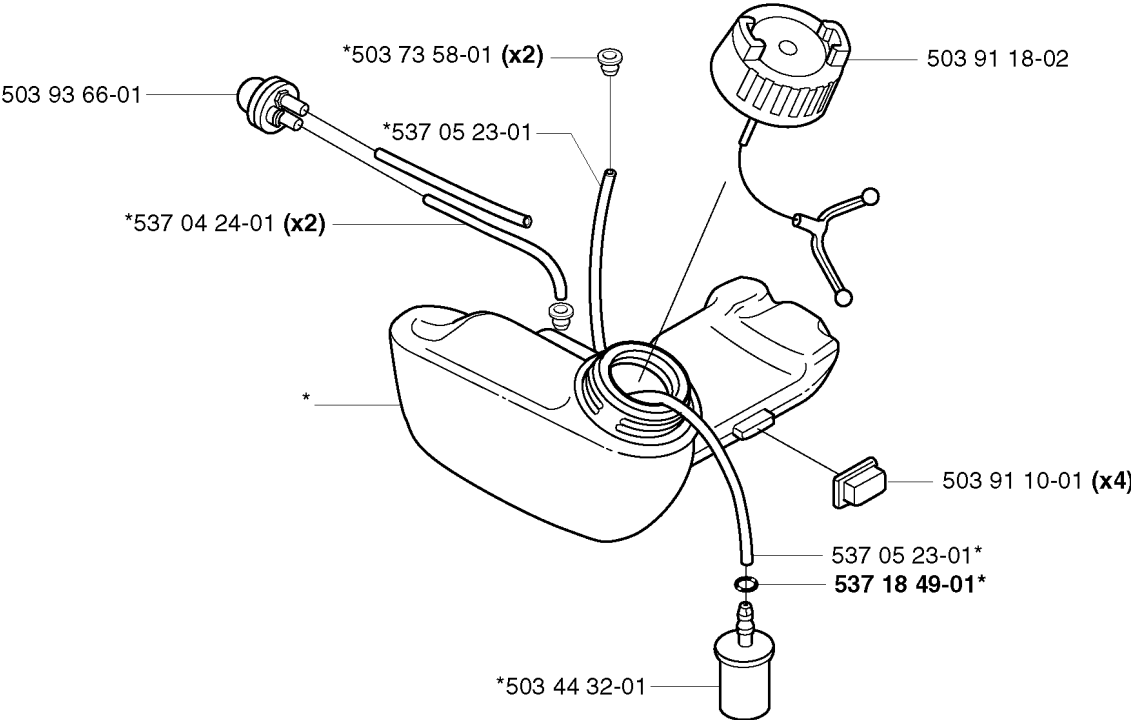


## CYLINDER PISTON

325 LXT, 2002-01

| Part No      | Description           | Remark | QTY KIT |
|--------------|-----------------------|--------|---------|
| 503 20 07-35 | SCREW IHSCFM          |        | 4       |
| 503 20 29-50 | SCREW IHSCFM          |        | 2       |
| 503 28 90-41 | PISTON RING           |        | 2       |
| 503 71 22-01 | BEARING               |        | 1       |
| 503 87 17-01 | SPARK ARRESTER SCREEN | CAT.   | 1       |
| 537 01 32-75 | PISTON                |        | 1       |
| 537 01 41-01 | GASKET                |        | 1       |
| 537 03 20-05 | PISTON                |        | 1       |
| 537 03 94-01 | MUFFLER ASSY          | CAT.   | 1       |
| 537 15 99-01 | SPARK ARRESTER SCREEN |        | 1       |
| 537 16 19-01 | MUFFLER ASSY          |        | 1       |
| 737 44 08-00 | CIRCLIP               |        | 2       |

**K** \*compl 537 06 86-01

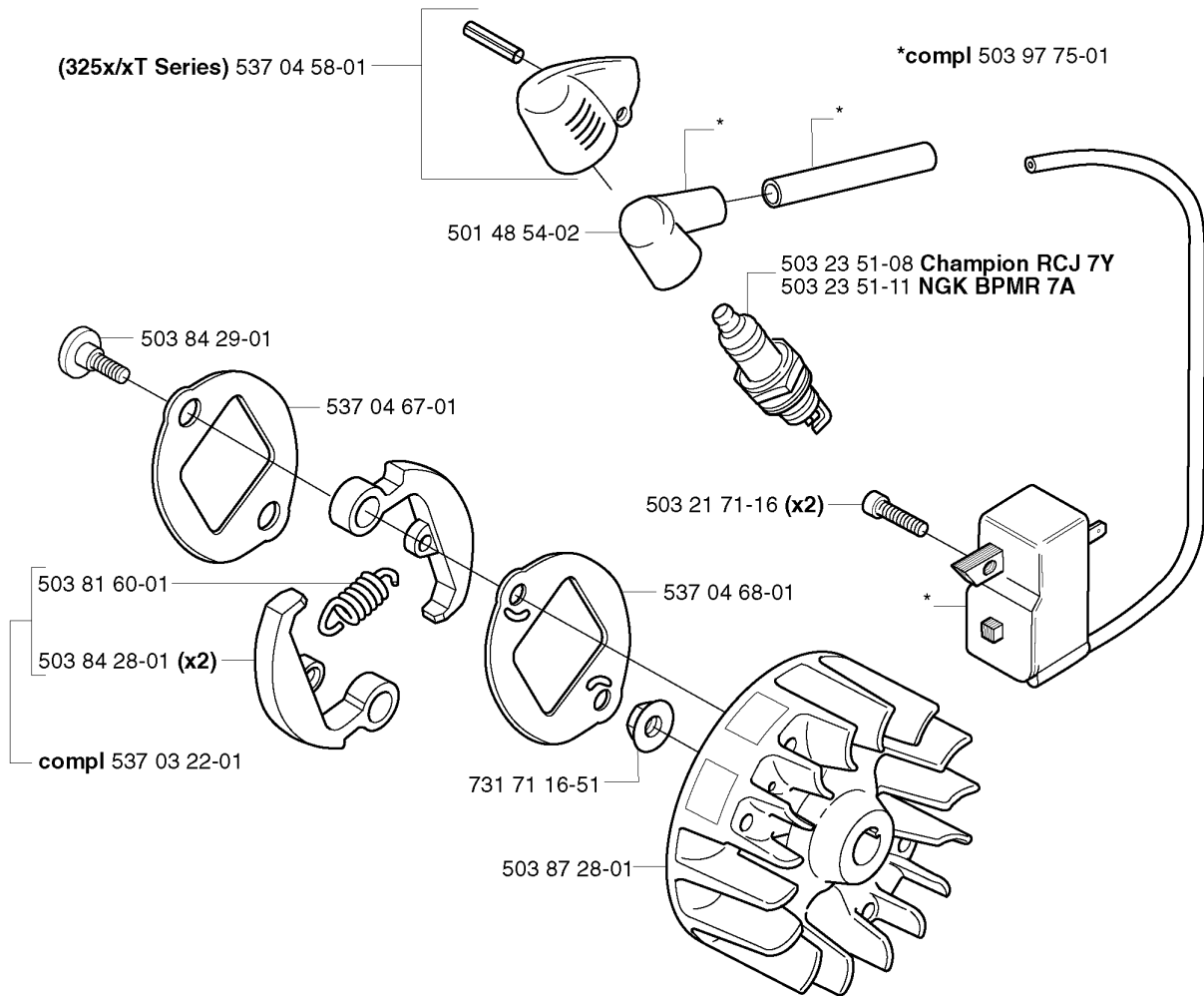


## FUEL TANK

325 LXT, 2002-01

| Part No      | Description    | Remark | QTY KIT |
|--------------|----------------|--------|---------|
| 503 44 32-01 | FILTER         |        | 1       |
| 503 73 58-01 | BUSHING        |        | 2       |
| 503 91 10-01 | SUSPENSION     |        | 4       |
| 503 91 18-02 | TANK CAP       |        | 1       |
| 503 93 66-01 | PRIMER HOUSING |        | 1       |
| 537 04 24-01 | FUEL HOSE      |        | 2       |
| 537 05 23-01 | FUEL HOSE      |        | 1       |
| 537 05 23-01 | FUEL HOSE      |        | 1       |
| 537 06 86-01 | FUEL TANK      |        | 1       |
| 537 18 49-01 | O-RING         |        | 1       |

**L**





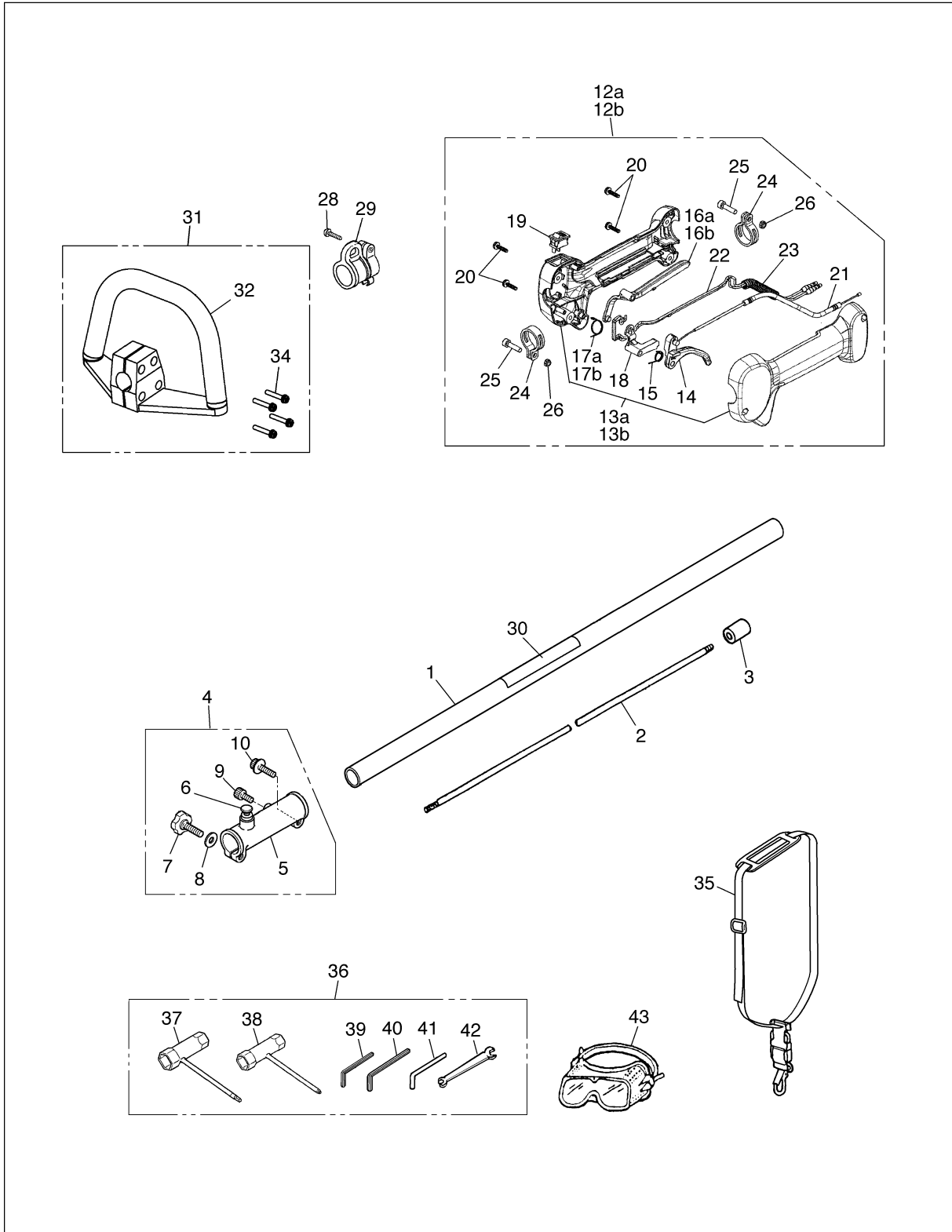
## IGNITION SYSTEM &amp; CLUTCH

325 LXT, 2002-01

| Part No      | Description        | Remark          | QTY KIT |
|--------------|--------------------|-----------------|---------|
| 501 48 54-02 | SPARK PLUG CAP     |                 | 1       |
| 503 21 71-16 | SCREW IHSCT        |                 | 2       |
| 503 23 51-08 | SPARK PLUG         | CHAMPION RCJ 7Y | 1       |
| 503 23 51-11 | SPARK PLUG         | NGK BPMR 7A     | 1       |
| 503 81 60-01 | CLUTCH SPRING      |                 | 1       |
| 503 84 28-01 | CLUTCH SHOE        |                 | 2       |
| 503 84 29-01 | SCREW              |                 | 1       |
| 503 87 28-01 | FLYWHEEL           |                 | 1       |
| 503 97 75-01 | ELECTRONIC MODULE  |                 | 1       |
| 537 03 22-01 | CLUTCH ASSY        |                 | 1       |
| 537 04 58-01 | COVER              | 325X/XT SERIES  | 1       |
| 537 04 67-01 | WASHER             |                 | 1       |
| 537 04 68-01 | WASHER             |                 | 1       |
| 731 71 16-51 | HEXAGON NUT FLANGE |                 | 1       |

EXZ2460S-PH

Fig.1 PH-EXZ



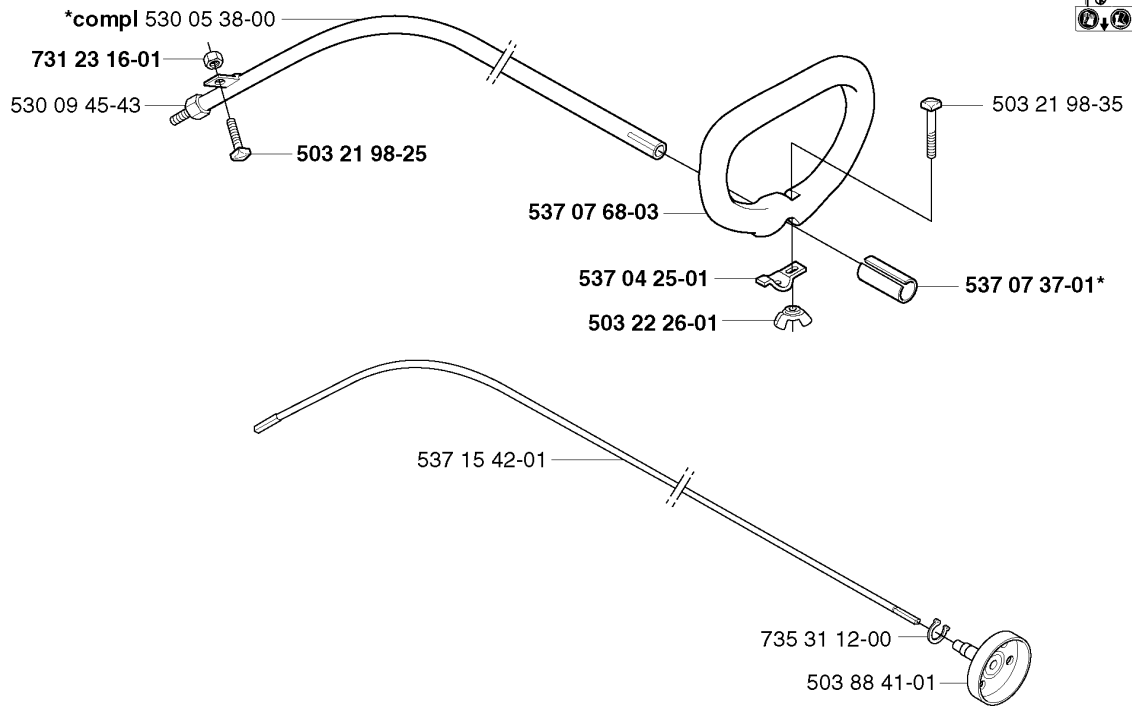
## SHAFT &amp; HANDLE

325 LXT, 2002-01

| Ref | Part No      | Description     | Remark | QTY KIT |
|-----|--------------|-----------------|--------|---------|
| 1   | 511 52 15-01 | PIPE            |        | 1       |
| 2   | 521 81 16-01 | SHAFT           |        | 1       |
| 3   | 515 51 30-01 | SPACER          |        | 1       |
| 4   | 576 64 00-01 | JOINT           |        | 1       |
| 5   | 521 81 24-01 | JOINT           |        | 1       |
| 6   | 512 52 70-01 | STOPPER         |        | 1       |
| 7   | 515 51 34-01 | KNOB BOLT       |        | 1       |
| 8   | 505 16 98-01 | WASHER          |        | 1       |
| 9   | 504 11 96-01 | SCREW           |        | 1       |
| 10  | 521 86 24-01 | BOLT            |        | 1       |
| 12a | 574 39 03-01 | GRIP            |        | 1       |
| 12b | 574 39 03-02 | GRIP            |        | 1       |
| 13a | 576 47 52-01 | GRIP            |        | 1       |
| 13b | 576 47 52-02 | GRIP            |        | 1       |
| 14  | 529 25 88-01 | LEVER,THROTTLE  |        | 1       |
| 15  | 529 25 96-01 | SPRING,THROTTLE |        | 1       |
| 16a | 529 25 90-01 | LEVER,SAFETY    |        | 1       |
| 16b | 578 77 80-01 | LEVER           |        | 1       |
| 17a | 574 39 08-01 | SPRING          |        | 1       |
| 17b | 511 59 18-01 | SPRING          |        | 2       |
| 18  | 529 25 92-01 | LEVER,JOINT     |        | 1       |
| 19  | 521 85 16-01 | SWITCH          |        | 1       |
| 20  | 521 51 77-01 | SCREW           |        | 4       |
| 21  | 529 25 71-01 | CABLE           |        | 1       |
| 22  | 529 25 61-01 | CORD            |        | 2       |
| 23  | 521 80 55-01 | TUBE            |        | 1       |
| 24  | 529 25 94-01 | BAND            |        | 2       |
| 25  | 504 11 43-01 | SCREW           |        | 2       |
| 26  | 510 91 11-01 | NUT             |        | 2       |
| 28  | 521 82 21-01 | HANGER          |        | 1       |
| 29  | 510 48 23-01 | SCREW           |        | 1       |
| 30  | 576 66 94-01 | DECAL           |        | 1       |
| 31  | 526 05 64-01 | HANDLE ASSY     |        | 1       |
| 32  | 512 55 35-01 | HANDLE          |        | 1       |
| 34  | 521 86 31-01 | SCREW           |        | 4       |
| 35  | 521 65 11-01 | STRAP           |        | 1       |
| 36  | 521 53 26-01 | TOOL-SET        |        | 1       |
| 37  | 521 53 31-01 | SOCKET          |        | 1       |
| 38  | 512 50 86-01 | SOCKET          |        | 1       |
| 39  | 505 31 19-01 | WRENCH          |        | 1       |
| 40  | 516 14 47-01 | WRENCH          |        | 1       |
| 41  | 505 31 20-01 | BAR             |        | 1       |
| 42  | 506 61 50-01 | SPANNER         |        | 1       |
| 43  | 510 98 94-01 | GOGGLE          |        | 1       |

**A** 323C  
325C

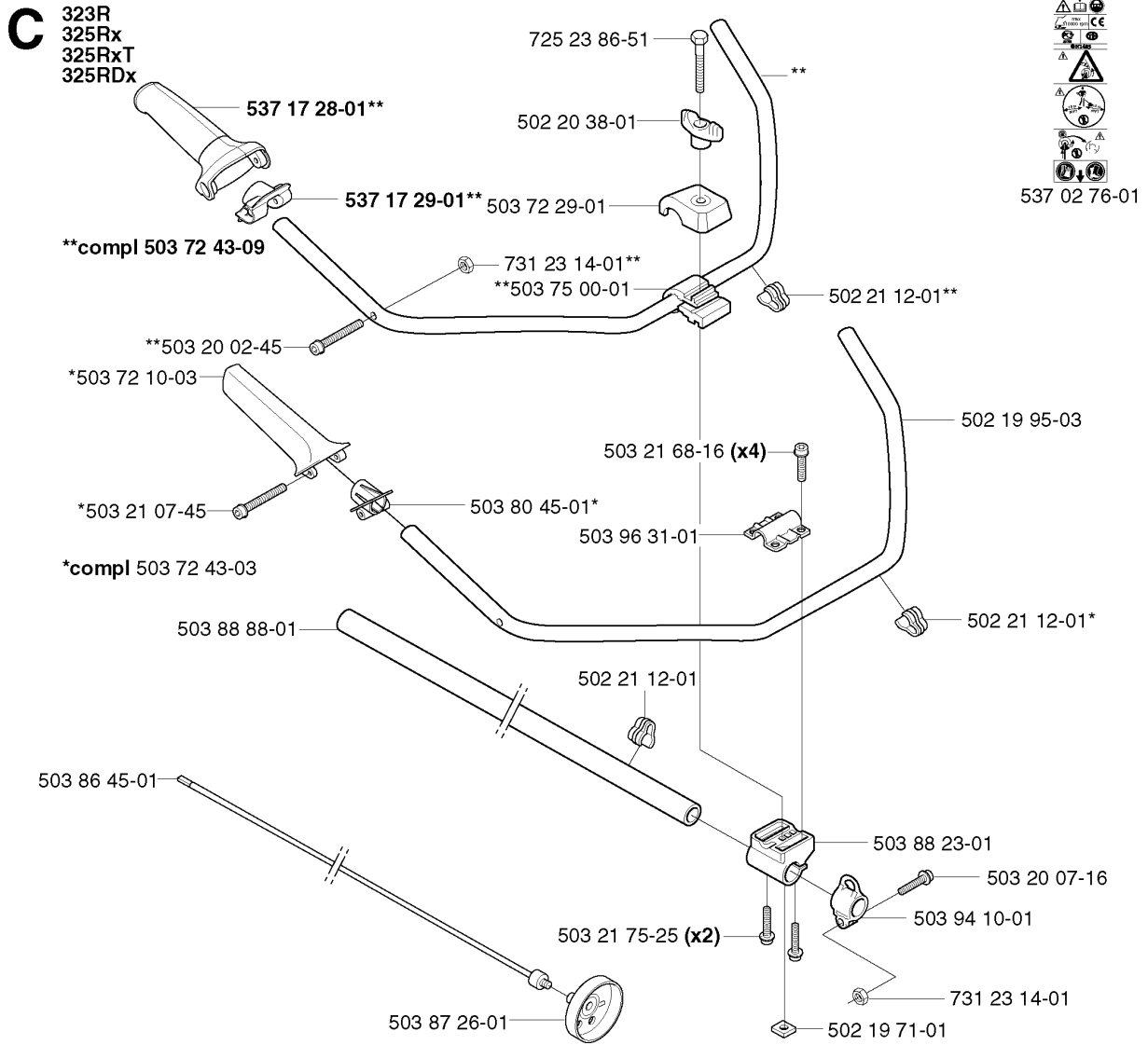
503 79 56-01 537 02 76-03



## SHAFT &amp; HANDLE

325 LXT, 2002-01

| Part No      | Description      | Remark | QTY KIT |
|--------------|------------------|--------|---------|
| 503 21 98-25 | SCREW            |        | 1       |
| 503 21 98-35 | SCREW            |        | 1       |
| 503 22 26-01 | NUT              |        | 1       |
| 503 79 56-01 | LABEL            |        | 1       |
| 503 88 41-01 | CLUTCH DRUM      |        | 1       |
| 530 05 38-00 | SHAFT            |        | 1       |
| 530 09 45-43 | DRIVER           |        | 1       |
| 537 02 76-03 | LABEL            |        | 1       |
| 537 04 25-01 | ATTACHMENT PLATE |        | 1       |
| 537 07 37-01 | SPACING TUBE     |        | 1       |
| 537 07 68-03 | HANDLE           |        | 1       |
| 537 15 42-01 | SHAFT            |        | 1       |
| 731 23 16-01 | HEXAGON NUT      |        | 1       |
| 735 31 12-00 | CIRCLIP          |        | 1       |



## SHAFT &amp; HANDLE

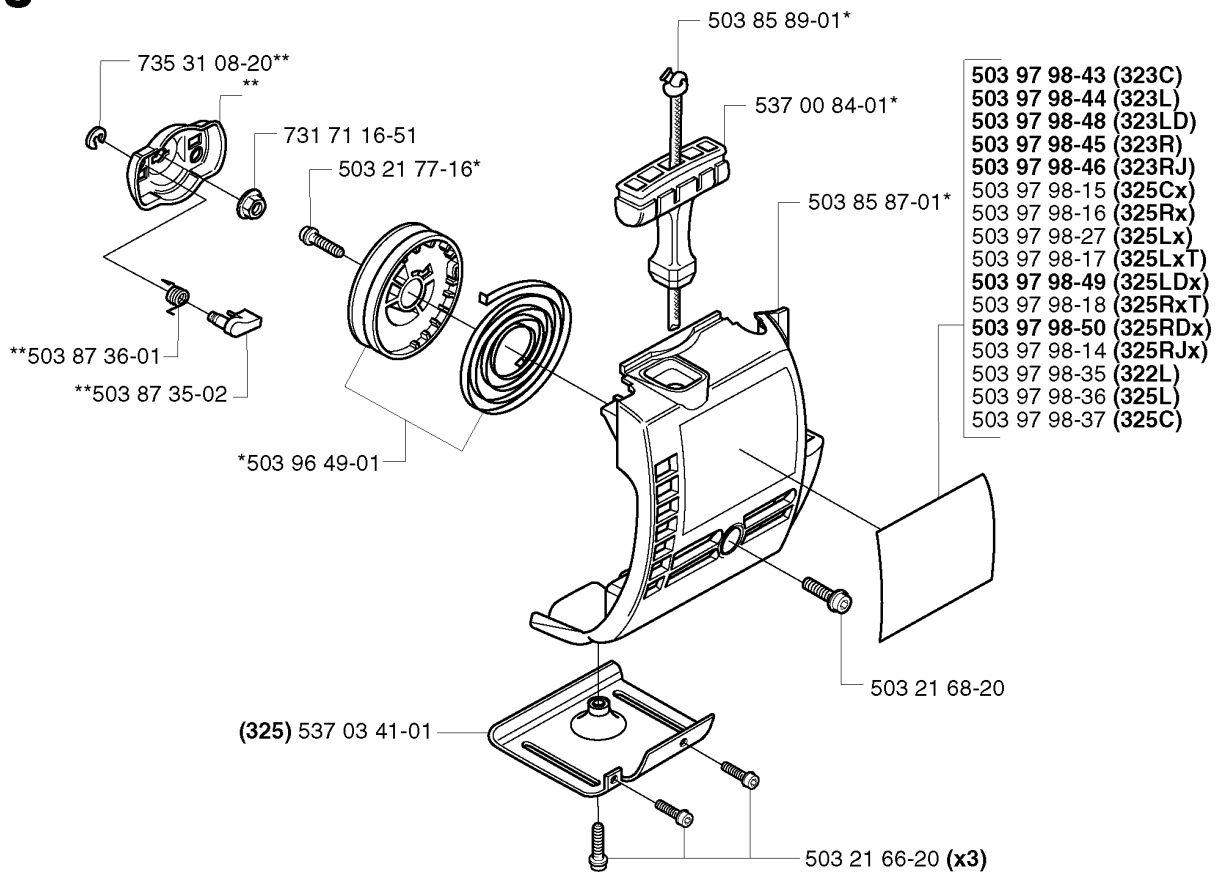
325 LXT, 2002-01

| Part No      | Description         | Remark | QTY KIT |
|--------------|---------------------|--------|---------|
| 502 19 71-01 | SQUARE NUT          |        | 1       |
| 502 19 95-03 | HANDLEBAR           |        | 1       |
| 502 20 38-01 | KNOB                |        | 1       |
| 502 21 12-01 | STAPLE              |        | 1       |
| 502 21 12-01 | STAPLE              |        | 1       |
| 502 21 12-01 | STAPLE              |        | 1       |
| 503 20 02-45 | SCREW IHSCFM        |        | 1       |
| 503 20 07-16 | SCREW IHSCFM        |        | 1       |
| 503 21 07-45 | SCREW IHSCFM        |        | 1       |
| 503 21 68-16 | SCREW IHSCFM        |        | 4       |
| 503 21 75-25 | SCREW IHSCFM        |        | 2       |
| 503 72 10-03 | HANDLE              |        | 1       |
| 503 72 29-01 | COVER               |        | 1       |
| 503 72 43-03 | HANDLEBAR PART ASSY |        | 1       |
| 503 72 43-09 | HANDLEBAR           |        | 1       |
| 503 75 00-01 | HANDLEBAR BRACKET   |        | 1       |
| 503 80 45-01 | BRACKET             |        | 1       |
| 503 86 45-01 | DRIVE SHAFT         |        | 1       |
| 503 87 26-01 | CLUTCH DRUM ASSY    |        | 1       |
| 503 88 23-01 | BRACKET             |        | 1       |
| 503 88 88-01 | TUBE                |        | 1       |
| 503 94 10-01 | HOOK                |        | 1       |
| 503 96 31-01 | BRACKET             |        | 1       |
| 537 02 76-01 | LABEL               |        | 1       |
| 537 17 28-01 | HANDLE              |        | 1       |
| 537 17 29-01 | COVER               |        | 1       |
| 725 23 86-51 | SCREW EHHM          |        | 1       |
| 731 23 14-01 | HEXAGON NUT         |        | 1       |
| 731 23 14-01 | HEXAGON NUT         |        | 1       |

**J**

\*\*compl 503 87 33-02

\*compl 503 85 28-01

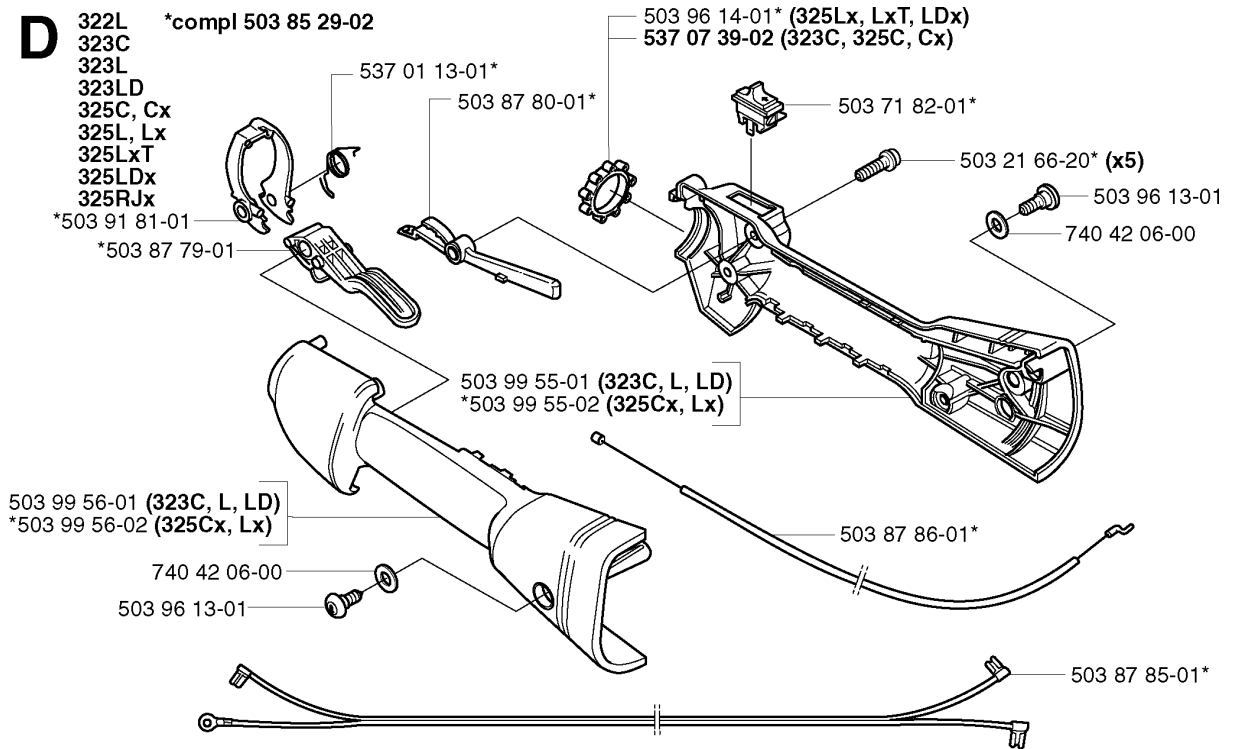




## STARTER

325 LXT, 2002-01

| Part No      | Description        | Remark   | QTY KIT |
|--------------|--------------------|----------|---------|
| 503 21 66-20 | SCREW IHSC T       |          | 3       |
| 503 21 68-20 | SCREW IHSC FT      |          | 1       |
| 503 21 77-16 | SCREW IHSC T       |          | 1       |
| 503 85 28-01 | STARTER ASSY       |          | 1       |
| 503 85 87-01 | STARTER HOUSING    |          | 1       |
| 503 85 89-01 | STARTER CORD       |          | 1       |
| 503 87 33-02 | BRIDGE             |          | 1       |
| 503 87 35-02 | STARTER PAWL       |          | 1       |
| 503 87 36-01 | SPRING             |          | 1       |
| 503 96 49-01 | STARTER PULLEY     |          | 1       |
| 503 97 98-14 | DECAL              | 325R JX  | 1       |
| 503 97 98-15 | DECAL              | 325C X   | 1       |
| 503 97 98-16 | DECAL              | 325R X   | 1       |
| 503 97 98-17 | DECAL              | 325L X T | 1       |
| 503 97 98-18 | DECAL              | 325R X T | 1       |
| 503 97 98-27 | DECAL              | 325L X   | 1       |
| 503 97 98-35 | DECAL              | 322L     | 1       |
| 503 97 98-36 | DECAL              | 325L     | 1       |
| 503 97 98-37 | DECAL              | 325C     | 1       |
| 503 97 98-43 | DECAL              | 323C     | 1       |
| 503 97 98-44 | DECAL              | 323L     | 1       |
| 503 97 98-45 | DECAL              | 323R     | 1       |
| 503 97 98-46 | DECAL              | 323R J   | 1       |
| 503 97 98-48 | DECAL              | 323L D   | 1       |
| 503 97 98-49 | DECAL              | 325L D X | 1       |
| 503 97 98-50 | DECAL              | 325R D X | 1       |
| 537 00 84-01 | STARTER HANDLE     |          | 1       |
| 537 03 41-01 | PROTECTIVE PLATE   | 325      | 1       |
| 731 71 16-51 | HEXAGON NUT FLANGE |          | 1       |
| 735 31 08-20 | E-CLIP             |          | 1       |



## THROTTLE CONTROLS

325 LXT, 2002-01

| Part No      | Description           | Remark          | QTY KIT |
|--------------|-----------------------|-----------------|---------|
| 503 21 66-20 | SCREW IHSCT           |                 | 5       |
| 503 71 82-01 | SWITCH                |                 | 1       |
| 503 85 29-02 | HANDLE                |                 | 1       |
| 503 87 79-01 | THROTTLE TRIGGER      |                 | 1       |
| 503 87 80-01 | THROTTLE LOCKOUT      |                 | 1       |
| 503 87 85-01 | SHORT CIRCUIT CABLE   |                 | 1       |
| 503 87 86-01 | THROTTLE WIRE ASSY    |                 | 1       |
| 503 91 81-01 | THROTTLE LEVER        |                 | 1       |
| 503 96 13-01 | SCREW                 |                 | 1       |
| 503 96 13-01 | SCREW                 |                 | 1       |
| 503 96 14-01 | ABSORBER              | 325LX, LXT, LDX | 1       |
| 503 99 55-01 | HANDLE HALF           | 323C, L, LD     | 1       |
| 503 99 55-02 | HANDLE HALF           | 325CX, LX       | 1       |
| 503 99 56-01 | HANDLE HALF           | 323C, L, LD     | 1       |
| 503 99 56-02 | HANDLE HALF           | 325CX, LX       | 1       |
| 537 01 13-01 | RECOIL SPRING         |                 | 1       |
| 537 07 39-02 | ANTIVIBRATION ELEMENT | 323C, 325C, CX  | 1       |
| 740 42 06-00 | O-RING                |                 | 1       |
| 740 42 06-00 | O-RING                |                 | 1       |