

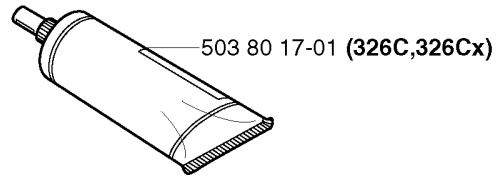
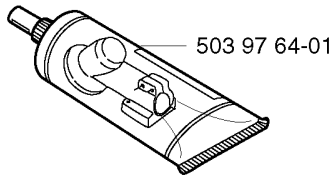
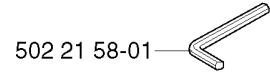
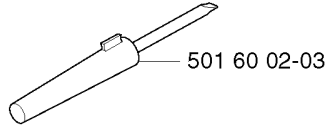
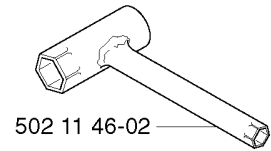
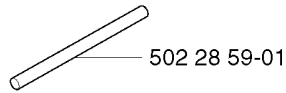


SPARE PARTS LIST

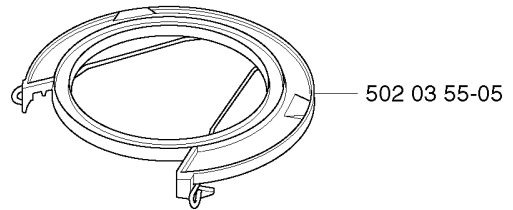
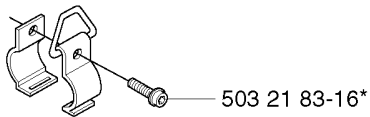
TRIMMERS/EDGERS

326 L, 2002-08

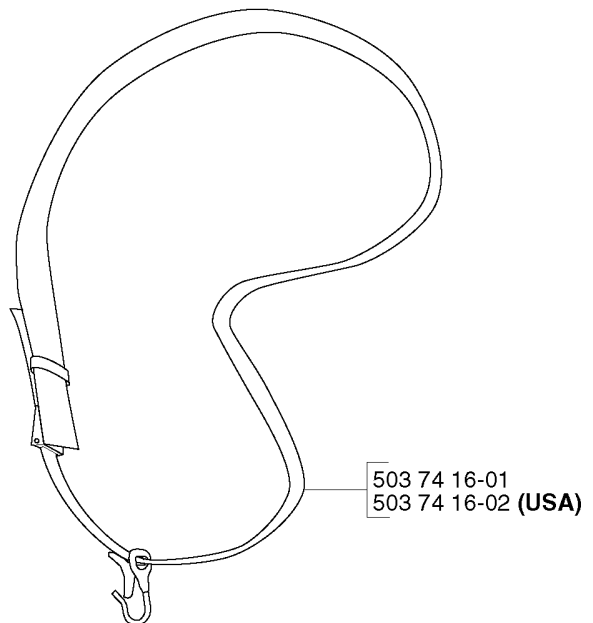
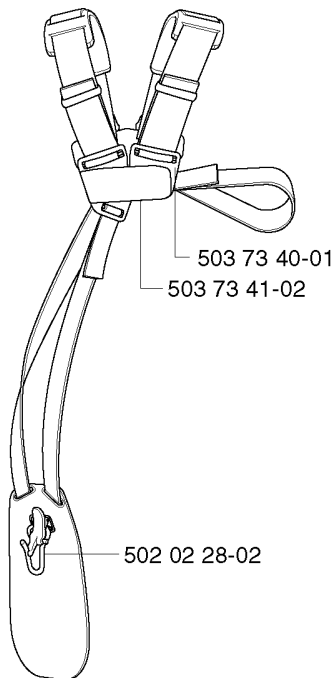
T Accessories
Zubehöre
Accessoires
Acessorios
Tillbehör



*compl 501 78 33-01



compl 503 73 63-03
compl 503 73 63-04 (USA)



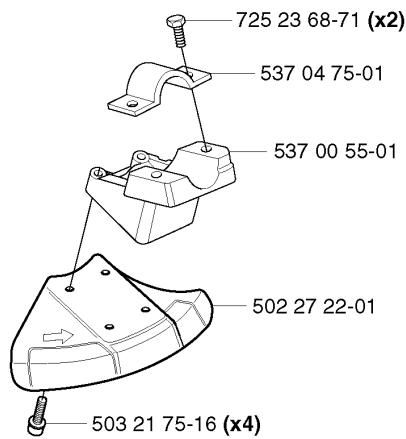
ACCESSORIES

326 L, 2002-08

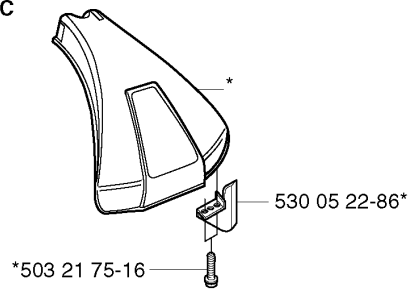
Part No	Description	Remark	QTY KIT
501 60 02-03	SCREWDRIVER		1
501 78 33-01	SUSPENSION BAIL		1
502 02 28-02	WELT HOOK		1
502 03 55-05	TRANSPORT GUARD		1
502 11 46-02	SOCKET WRENCH		1
502 21 58-01	L-NYCKEL		1
502 27 22-01	SAW BLADE GUARD		1
502 28 59-01	STOP		1
503 21 07-16	SCREW IHSCT		1
503 21 07-16	SCREW IHSCT		1
503 21 07-16	SCREW IHSCT		1
503 21 75-16	SCREW IHSCFT		4
503 21 75-16	SCREW IHSCFT		1
503 21 83-16	SCREW		1
503 73 40-01	FRONT PIECE		1
503 73 41-02	FRONT PIECE		1
503 73 63-03	HARNESS		1
503 73 63-04	HARNESS ASSY		1
503 74 16-01	HARNESS ASSY		1
503 74 16-02	HARNESS ASSY		1
503 79 88-01	BLADE		1
503 79 88-01	BLADE		1
503 79 88-01	BLADE		1
503 80 17-01	GREASE		1
503 93 42-02	COMBI GUARD		1
503 97 64-01	GREASE		1
503 97 71-01	TRIMMER GUARD		1
530 05 22-86	LINE LIMITER		1
537 00 55-01	ADAPTER		1
537 02 21-01	SAW BLADE GUARD		1
537 02 61-01	TRIMMER GUARD		1
537 04 75-01	CLAMP		1
537 07 67-01	TRIMMER GUARD		1
725 23 68-71	SCREW EHHM		2

S Accessories
Zubehöre
Accessoires
Accesorios
Tillbehör

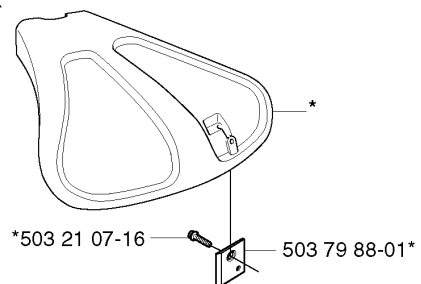
*compl 537 02 21-01
326Rx



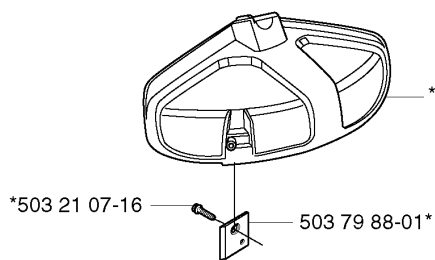
*compl 537 02 61-01
326C



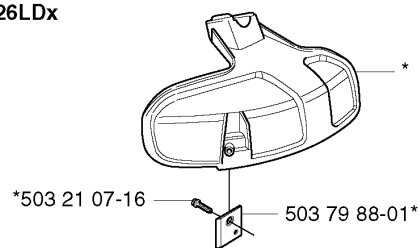
*compl 537 07 67-01
326Cx



*compl 503 93 42-02
326Rx



*compl 503 97 71-01
326L
326Lx
326LDx

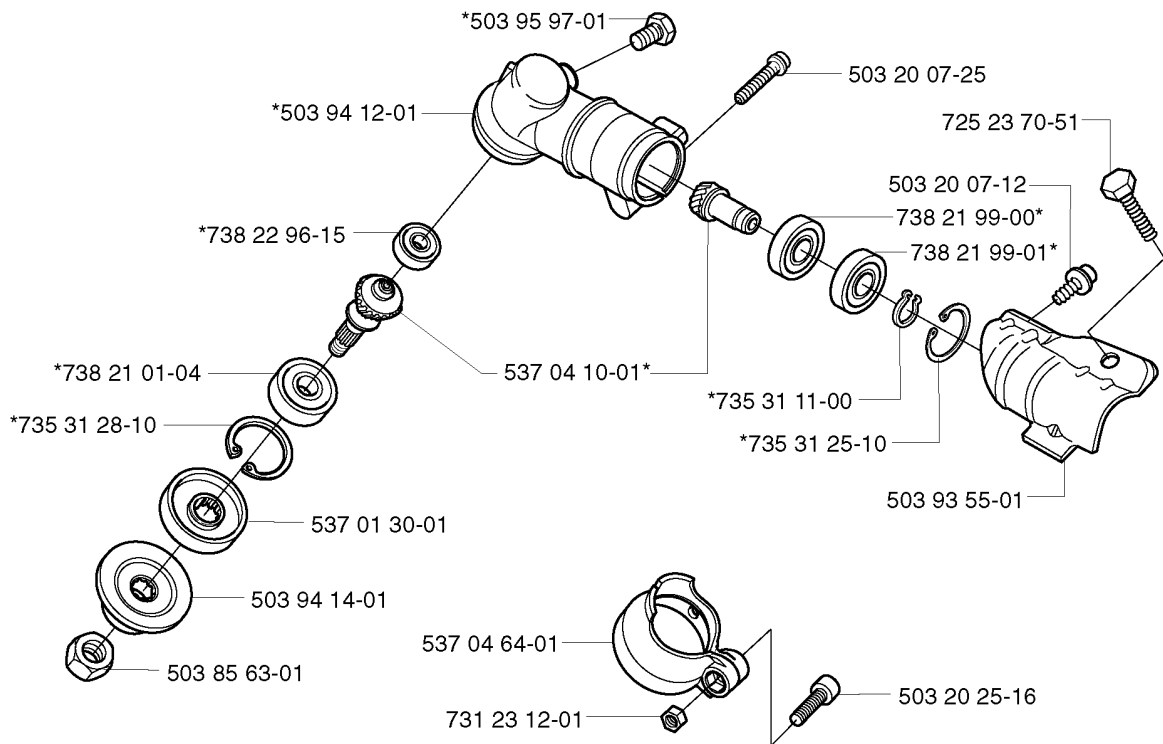


ACCESSORIES

326 L, 2002-08

Part No	Description	Remark	QTY KIT
501 60 02-03	SCREWDRIVER		1
501 78 33-01	SUSPENSION BAIL		1
502 02 28-02	WELT HOOK		1
502 03 55-05	TRANSPORT GUARD		1
502 11 46-02	SOCKET WRENCH		1
502 21 58-01	L-NYCKEL		1
502 27 22-01	SAW BLADE GUARD		1
502 28 59-01	STOP		1
503 21 07-16	SCREW IHSC T		1
503 21 75-16	SCREW IHSC FT		1
503 21 83-16	SCREW		1
503 73 40-01	FRONT PIECE		1
503 73 41-02	FRONT PIECE		1
503 73 63-03	HARNES S		1
503 73 63-04	HARNES S ASSY	USA	1
503 74 16-01	HARNES S ASSY		1
503 74 16-02	HARNES S ASSY	USA	1
503 79 88-01	BLADE		1
503 80 17-01	GREASE	326C, 326CX	1
503 93 42-02	COMBI GUARD		1
503 97 64-01	GREASE		1
503 97 71-01	TRIMMER GUARD		1
530 05 22-86	LINE LIMITER		1
537 00 55-01	ADAPTER		1
537 02 21-01	SAW BLADE GUARD		1
537 02 61-01	TRIMMER GUARD		1
537 04 75-01	CLAMP		1
537 07 67-01	TRIMMER GUARD		1
725 23 68-71	SCREW EHHM		1

H *compl 503 94 11-01

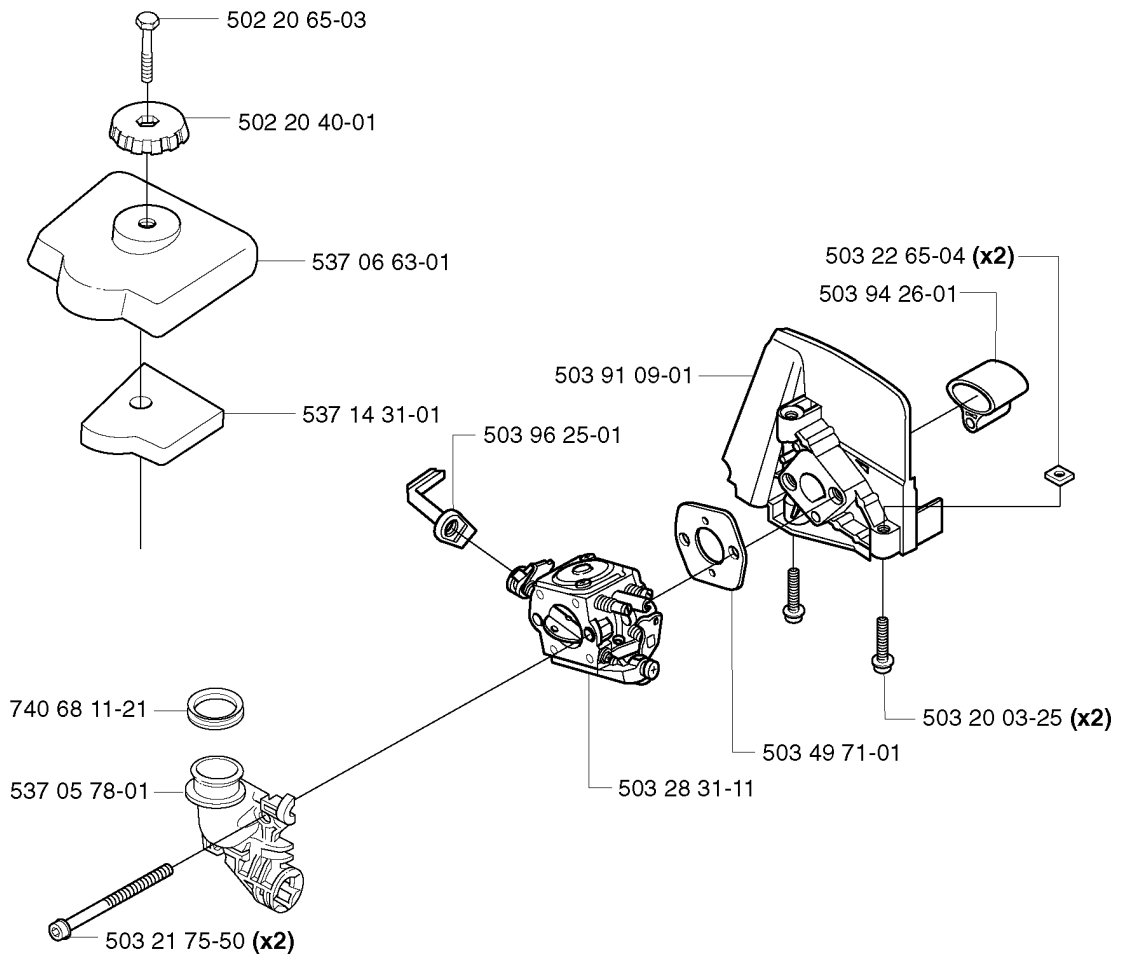


BEVEL GEAR

326 L, 2002-08

Part No	Description	Remark	QTY KIT
503 20 07-12	SCREW IHSCFM		1
503 20 07-25	SCREW IHSCFM		1
503 20 25-16	SCREW IHSCM		1
503 85 63-01	NUT		1
503 93 55-01	CLAMP.GUARD		1
503 94 11-01	GEAR ASSY		1
503 94 12-01	GEAR HOUSING		1
503 94 14-01	SUPPORT FLANGE		1
503 95 97-01	SCREW		1
537 01 30-01	DRIVER		1
537 04 10-01	GEAR WHEEL KIT		1
537 04 64-01	GRASS SEALING		1
725 23 70-51	SCREW		1
731 23 12-01	HEXAGON NUT		1
735 31 11-00	CIRCLIP		1
735 31 25-10	CIRCLIP		1
735 31 28-10	CIRCLIP		1
738 21 01-04	BALL BEARING		1
738 21 99-00	BALL BEARING		1
738 21 99-01	BALL BEARING		1
738 22 96-15	BALL BEARING		1

K



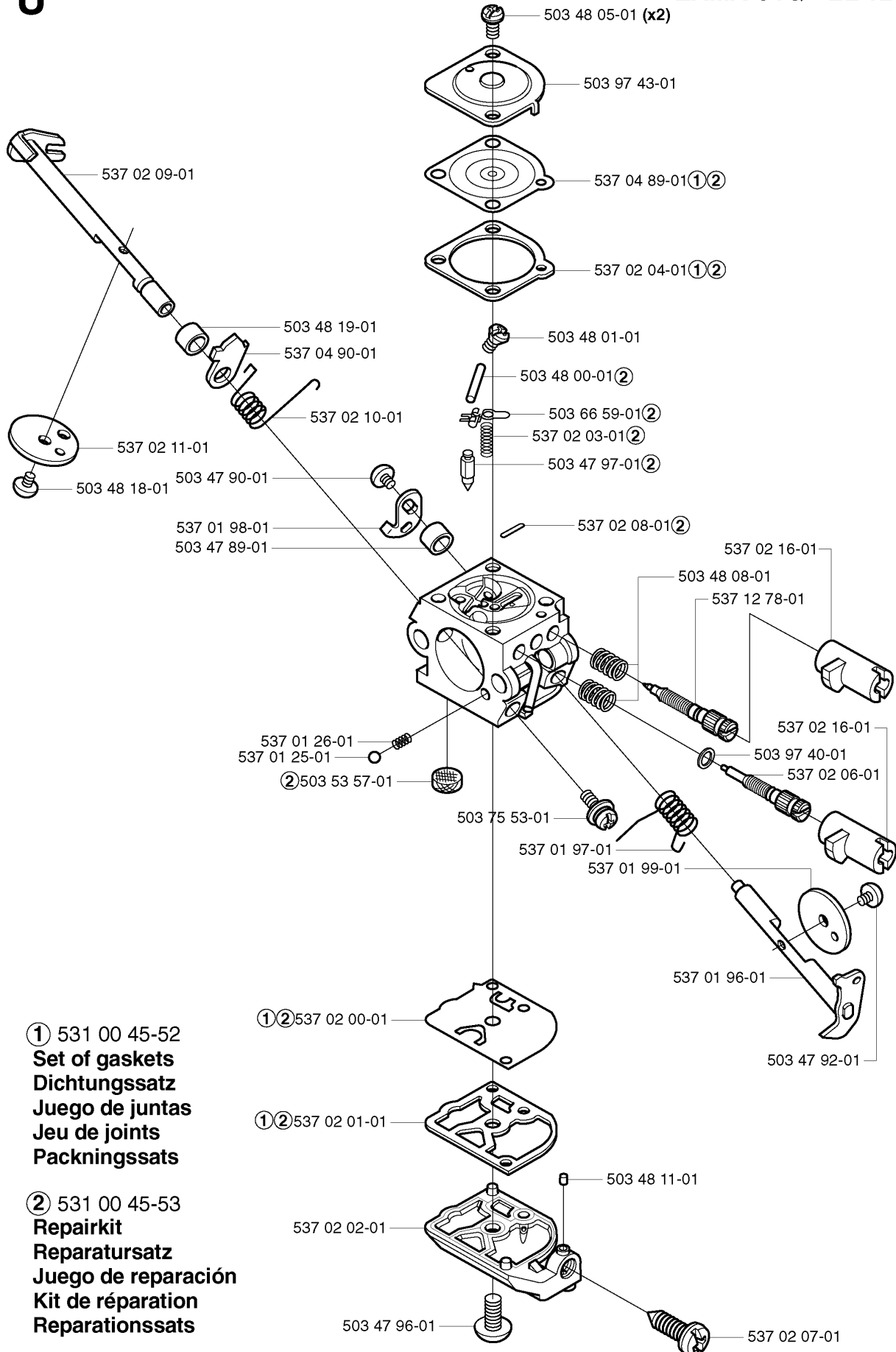
CARBURETOR & AIR FILTER

326 L, 2002-08

Part No	Description	Remark	QTY KIT
502 20 40-01	KNOB		1
502 20 65-03	SCREW EHHM		1
503 20 03-25	SCREW IHSCFM		2
503 21 75-50	SCREW IHSCFT		2
503 22 65-04	SQUARE NUT		2
503 28 31-11	CARBURETTOR		1
503 49 71-01	GASKET		1
503 91 09-01	INSULATION WALL		1
503 94 26-01	INLET PIPE		1
503 96 25-01	CHOKE CONTROL		1
537 05 78-01	BRACKET		1
537 06 63-01	FILTER COVER		1
537 14 31-01	AIR FILTER ASSY		1
740 68 11-21	V-RING		1

U compl 503 28 31-11

ZAMA C1Q - EL 12



① 531 00 45-52
Set of gaskets
Dichtungssatz
Juego de juntas
Jeu de joints
Packningssats

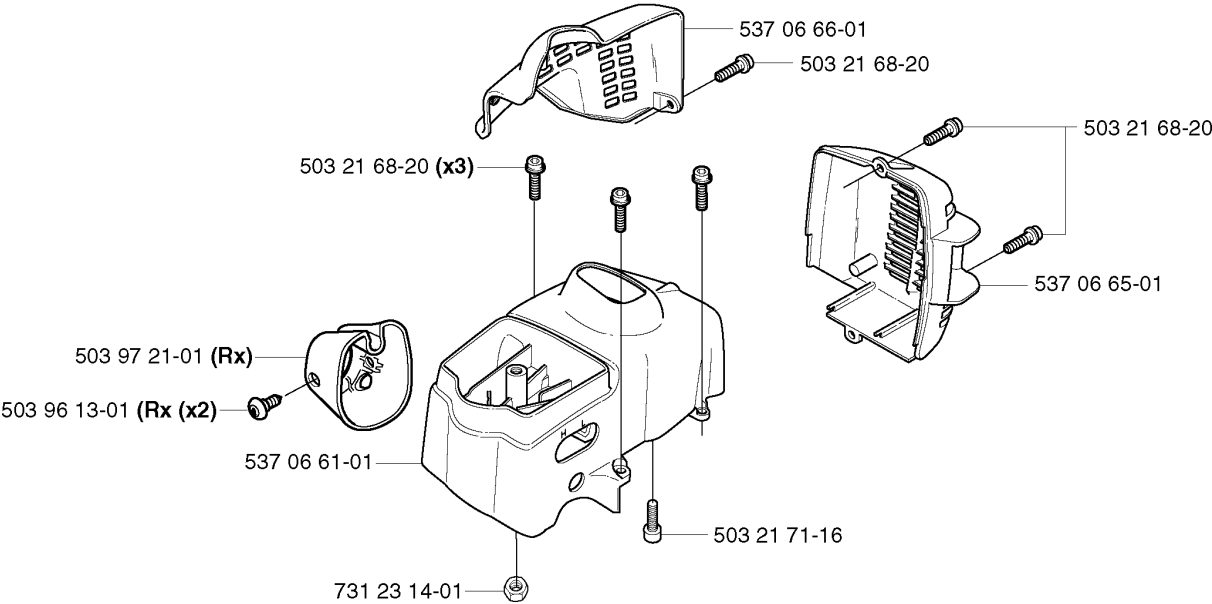
② 531 00 45-53
Repairkit
Reparatursatz
Juego de reparación
Kit de réparation
Reparationssats

CARBURETOR DETAILS

326 L, 2002-08

Part No	Description	Remark	QTY KIT
503 28 31-11	CARBURETTOR		1
503 47 89-01	COLLAR		1
503 47 90-01	SCREW		1
503 47 92-01	SCREW		1
503 47 96-01	SCREW		1
503 47 97-01	VALVE	531 00 45-53 REPAIRKIT	1
503 48 00-01	PIN RETAINING SCREW	531 00 45-53 REPAIRKIT	1
503 48 01-01	SCREW		1
503 48 05-01	SCREW		2
503 48 08-01	SPRING		1
503 48 11-01	PIECE		1
503 48 18-01	SCREW		1
503 48 19-01	COLLAR		1
503 53 57-01	STRAINER	531 00 45-53 REPAIRKIT	1
503 66 59-01	LEVER	531 00 45-53 REPAIRKIT	1
503 75 53-01	SCREW		1
503 97 40-01	WASHER		1
503 97 43-01	COVER		1
531 00 45-52	GASKET KIT		1
531 00 45-53	SET		1
537 01 25-01	BALL		1
537 01 26-01	SPRING		1
537 01 96-01	SHAFT ASSY		1
537 01 97-01	SPRING		1
537 01 98-01	LEVER		1
537 01 99-01	VALVE		1
537 02 00-01	DIAPHRAGM PUMP	531 00 45-52 SET OF GASKETS 531 00 45-53 REPAIRKIT	1
537 02 01-01	GASKET	531 00 45-52 SET OF GASKETS 531 00 45-53 REPAIRKIT	1
537 02 02-01	COVER		1
537 02 03-01	SPRING	531 00 45-53 REPAIRKIT	1
537 02 04-01	GASKET	531 00 45-52 SET OF GASKETS 531 00 45-53 REPAIRKIT	1
537 02 06-01	SCREW		1
537 02 07-01	SCREW		1
537 02 08-01	PLUG	531 00 45-53 REPAIRKIT	1
537 02 09-01	SHAFT ASSY		1
537 02 10-01	SPRING		1
537 02 11-01	VALVE		1
537 02 16-01	LIMITER CAP		1
537 02 16-01	LIMITER CAP		1
537 04 89-01	DIAPHRAGM	531 00 45-52 SET OF GASKETS 531 00 45-53 REPAIRKIT	1
537 04 90-01	LEVER		1
537 12 78-01	SCREW		1

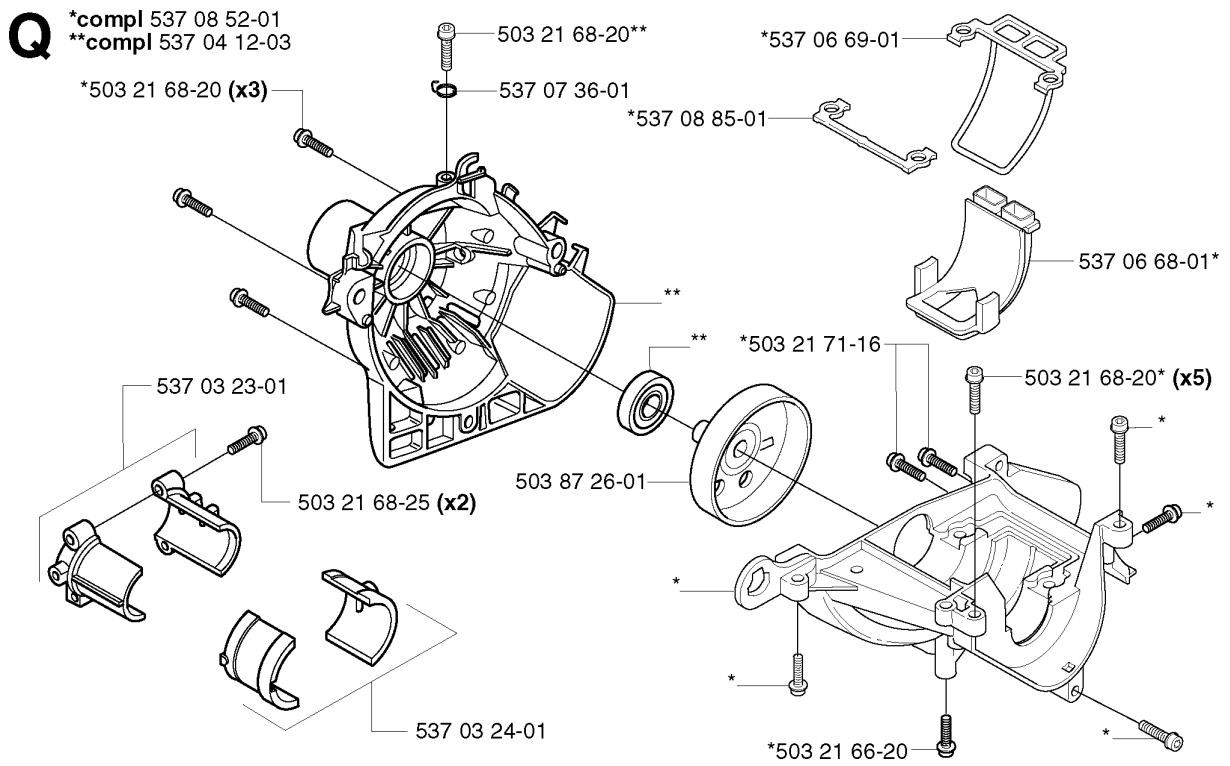
J



COVER

326 L, 2002-08

Part No	Description	Remark	QTY KIT
503 21 68-20	SCREW IHSCFT		3
503 21 68-20	SCREW IHSCFT		1
503 21 68-20	SCREW IHSCFT		1
503 21 71-16	SCREW IHSCFT		1
503 96 13-01	SCREW	RX	2
503 97 21-01	COVER	RX	1
537 06 61-01	CYLINDER COVER		1
537 06 65-01	HEAT PROTECTOR		1
537 06 66-01	ARM PROTECTION		1
731 23 14-01	HEXAGON NUT		1

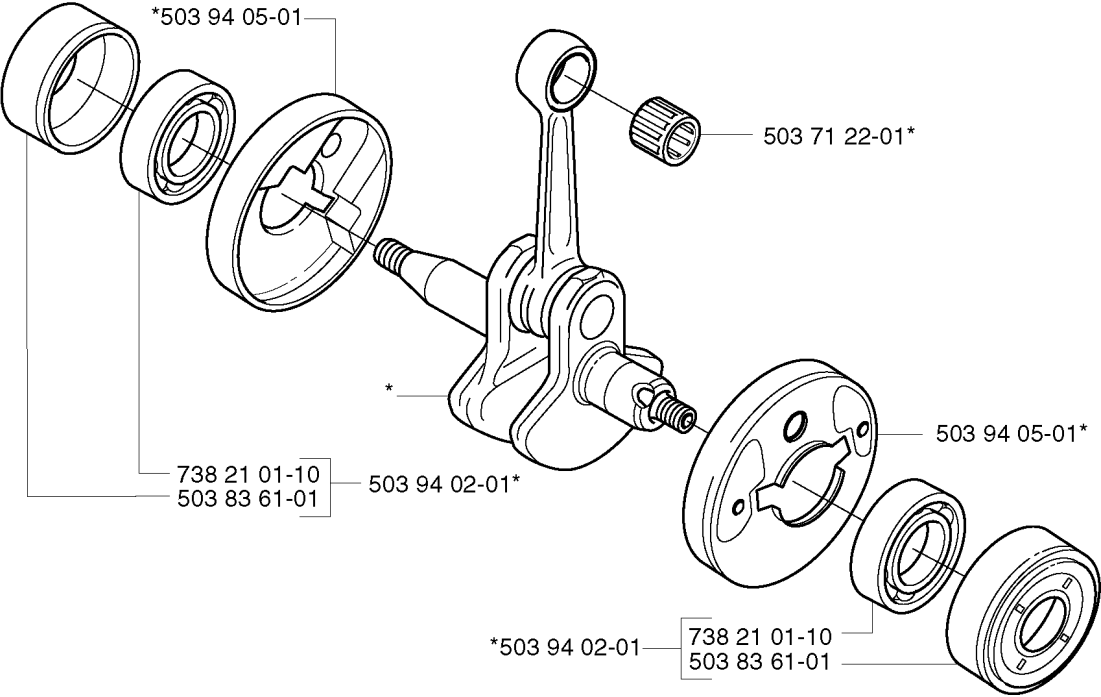


CRANKCASE

326 L, 2002-08

Part No	Description	Remark	QTY KIT
503 21 66-20	SCREW IHSCCT		1
503 21 68-20	SCREW IHSCFT		3
503 21 68-20	SCREW IHSCFT		1
503 21 68-20	SCREW IHSCFT		5
503 21 68-25	SCREW IHSCFT		2
503 21 71-16	SCREW IHSCCT		1
503 87 26-01	CLUTCH DRUM ASSY		1
537 03 23-01	CLAMPING SLEEVE ASSY		1
537 03 24-01	INSULATOR		1
537 04 12-03	CLUTCH COVER		1
537 06 68-01	INSERT CRANKCASE		1
537 06 69-01	GASKET CRANKCASE		1
537 07 36-01	SPRING		1
537 08 52-01	CRANKCASE		1
537 08 85-01	GASKET		1

R *compl 503 85 24-74

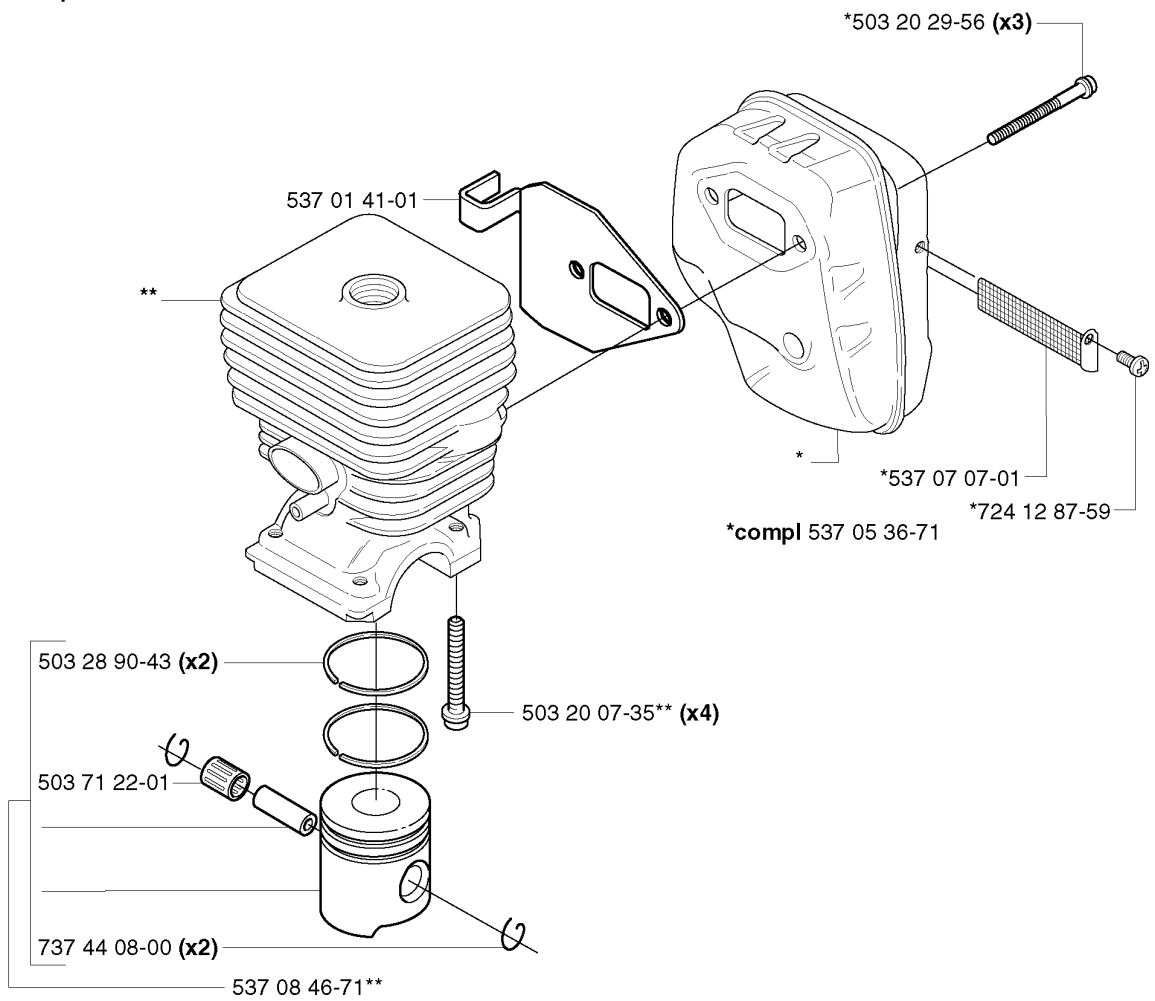


CRANKSHAFT

326 L, 2002-08

Part No	Description	Remark	QTY KIT
503 71 22-01	BEARING		1
503 83 61-01	BEARING CAGE		1
503 83 61-01	BEARING CAGE		1
503 85 24-74	CRANKSHAFT ASSY		1
503 94 02-01	BEARING CAGE		1
503 94 02-01	BEARING CAGE		1
503 94 05-01	CUP		1
503 94 05-01	CUP		1
738 21 01-10	BALL BEARING		1
738 21 01-10	BALL BEARING		1

P **compl 537 08 51-01

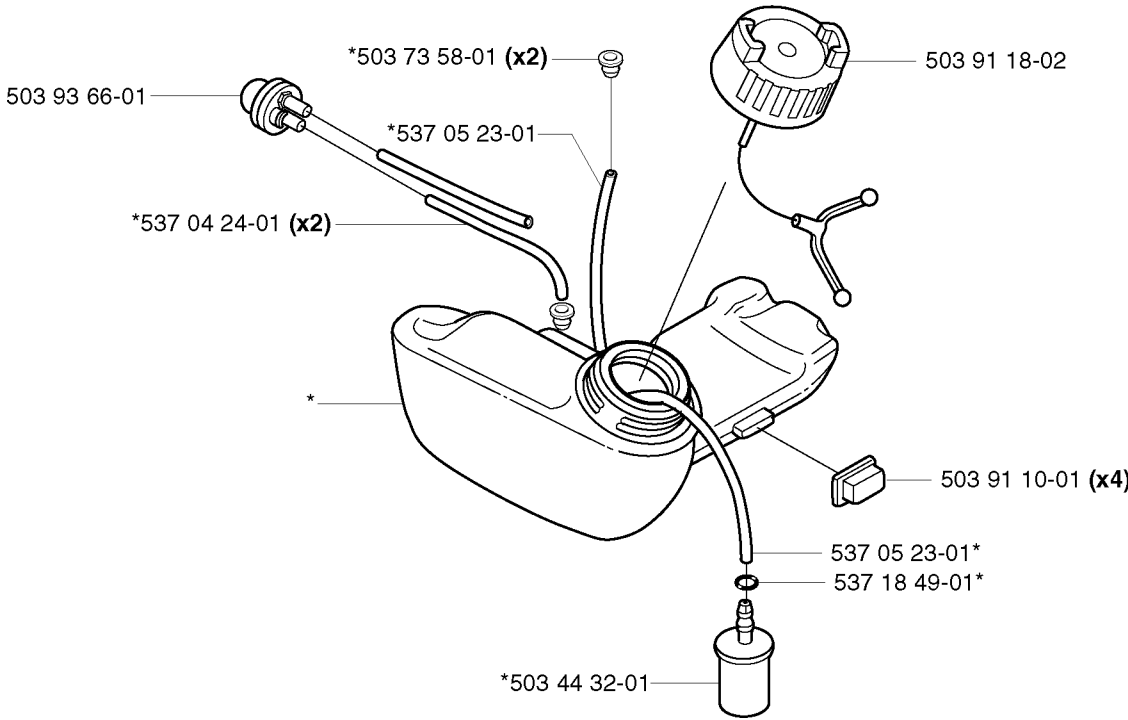


CYLINDER PISTON

326 L, 2002-08

Part No	Description	Remark	QTY KIT
503 20 07-35	SCREW IHSCFM		4
503 20 29-56	SCREW IHSCFM		3
503 28 90-43	PISTON RING		2
503 71 22-01	BEARING		1
537 01 41-01	GASKET		1
537 05 36-71	MUFFLER CAT		1
537 07 07-01	SPARK ARRESTER SCREEN		1
537 08 46-71	PISTON		1
537 08 51-01	PISTON		1
724 12 87-59	SCREW CRPANM		1
737 44 08-00	CIRCLIP		2

M *compl 537 06 86-01



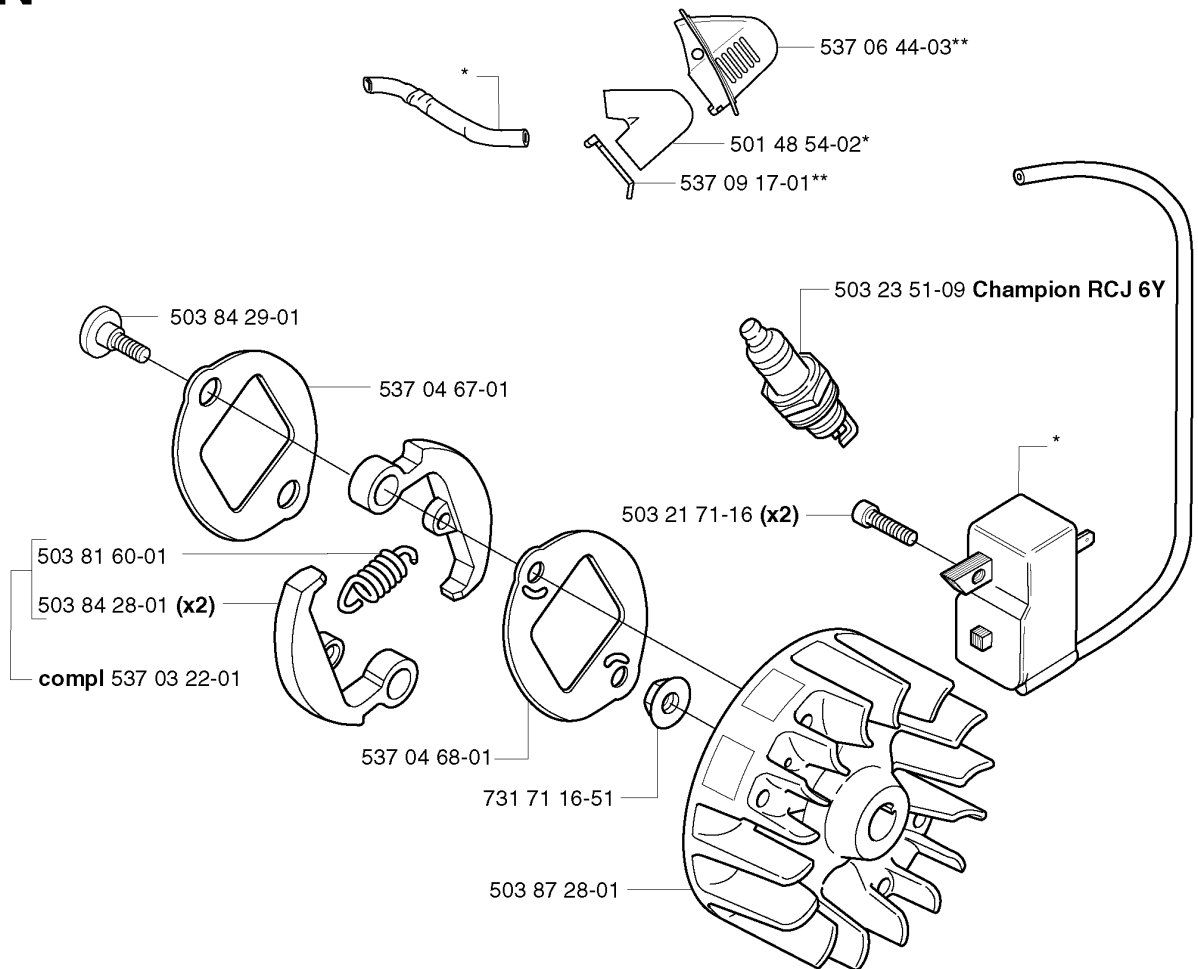
FUEL TANK

326 L, 2002-08

Part No	Description	Remark	QTY KIT
503 44 32-01	FILTER		1
503 73 58-01	BUSHING		2
503 91 10-01	SUSPENSION		4
503 91 18-02	TANK CAP		1
503 93 66-01	PRIMER HOUSING		1
537 04 24-01	FUEL HOSE		2
537 05 23-01	FUEL HOSE		1
537 05 23-01	FUEL HOSE		1
537 06 86-01	FUEL TANK		1
537 18 49-01	O-RING		1

N *compl 537 04 23-01

**compl 537 06 33-02 (Lx, Rx)

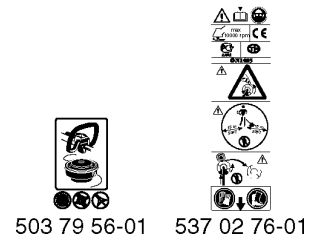
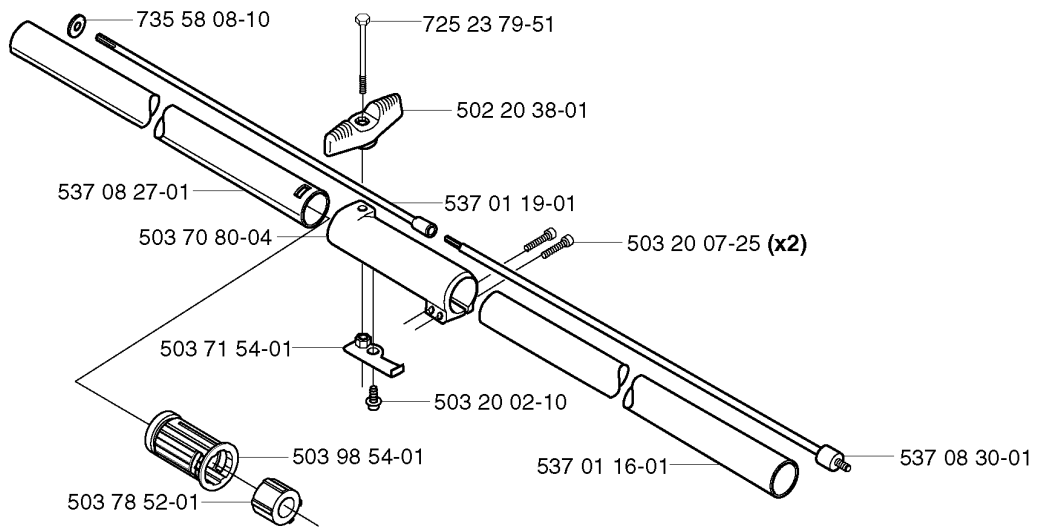


IGNITION SYSTEM & CLUTCH

326 L, 2002-08

Ref	Part No	Description	Remark	QTY KIT
502 23 51-09	531 00 45-53	SET		1
537 04 23-01	537 04 23-01	ELECTRONIC MODULE		1
503 84 29-01	503 84 29-01	SCREW		1
503 81 60-01	503 81 60-01	CLUTCH SPRING		1
503 84 28-01	503 84 28-01	CLUTCH SHOE		2
537 03 22-01	537 03 22-01	CLUTCH ASSY		1
537 04 68-01	537 04 68-01	WASHER		1
731 71 16-51	731 71 16-51	HEXAGON NUT FLANGE		1
503 87 28-01	503 87 28-01	FLYWHEEL		1
503 21 71-16	503 21 71-16	SCREW IHSCT		2
537 04 67-01	537 04 67-01	WASHER		1
503 23 51-09	503 23 51-09	SPARK PLUG	CHAMPION RCJ 6Y	1
537 09 17-01	537 09 17-01	SECURING PLATE		1
501 48 54-02	501 48 54-02	SPARK PLUG CAP		1
537 06 44-03	537 06 44-03	COVER		1
537 06 33-02	537 06 33-02	COVER	LX, RX	1

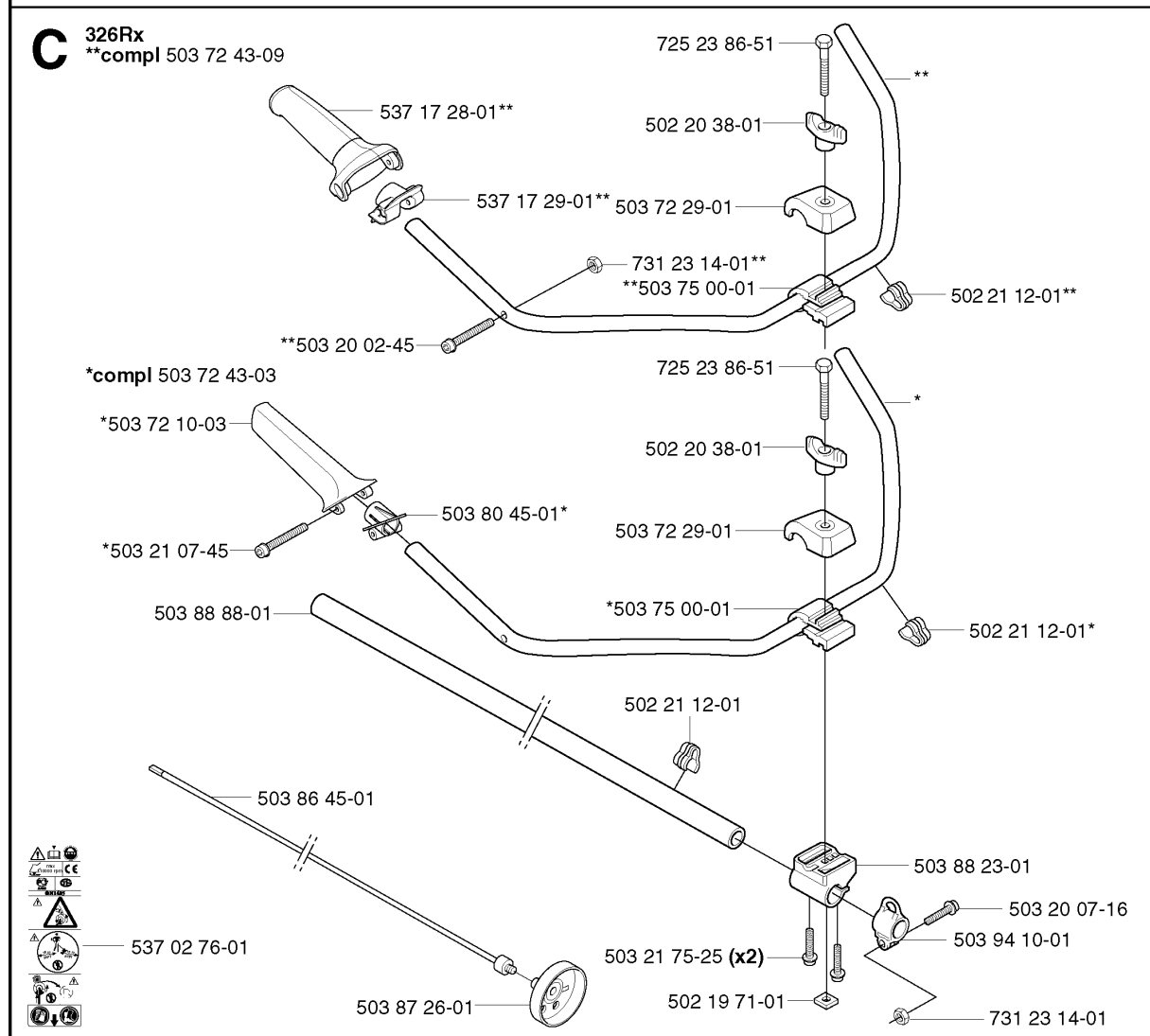
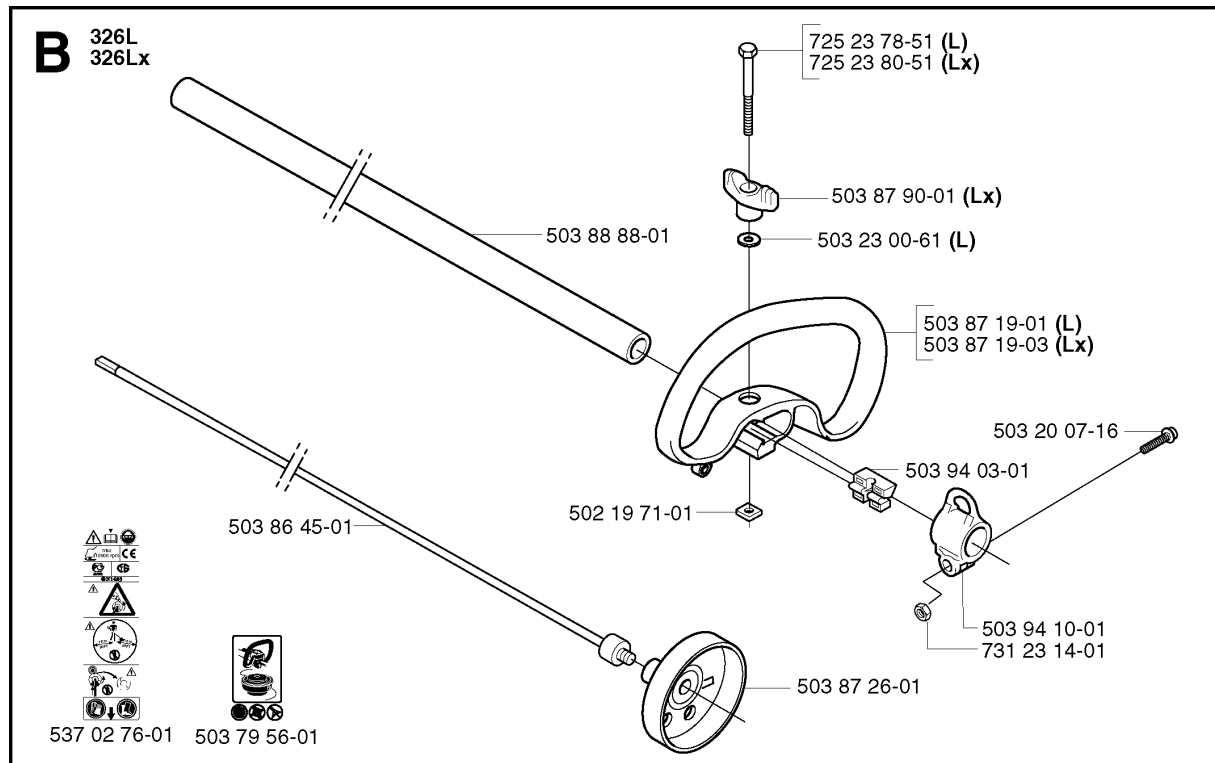
D 326LDx



SHAFT

326 L, 2002-08

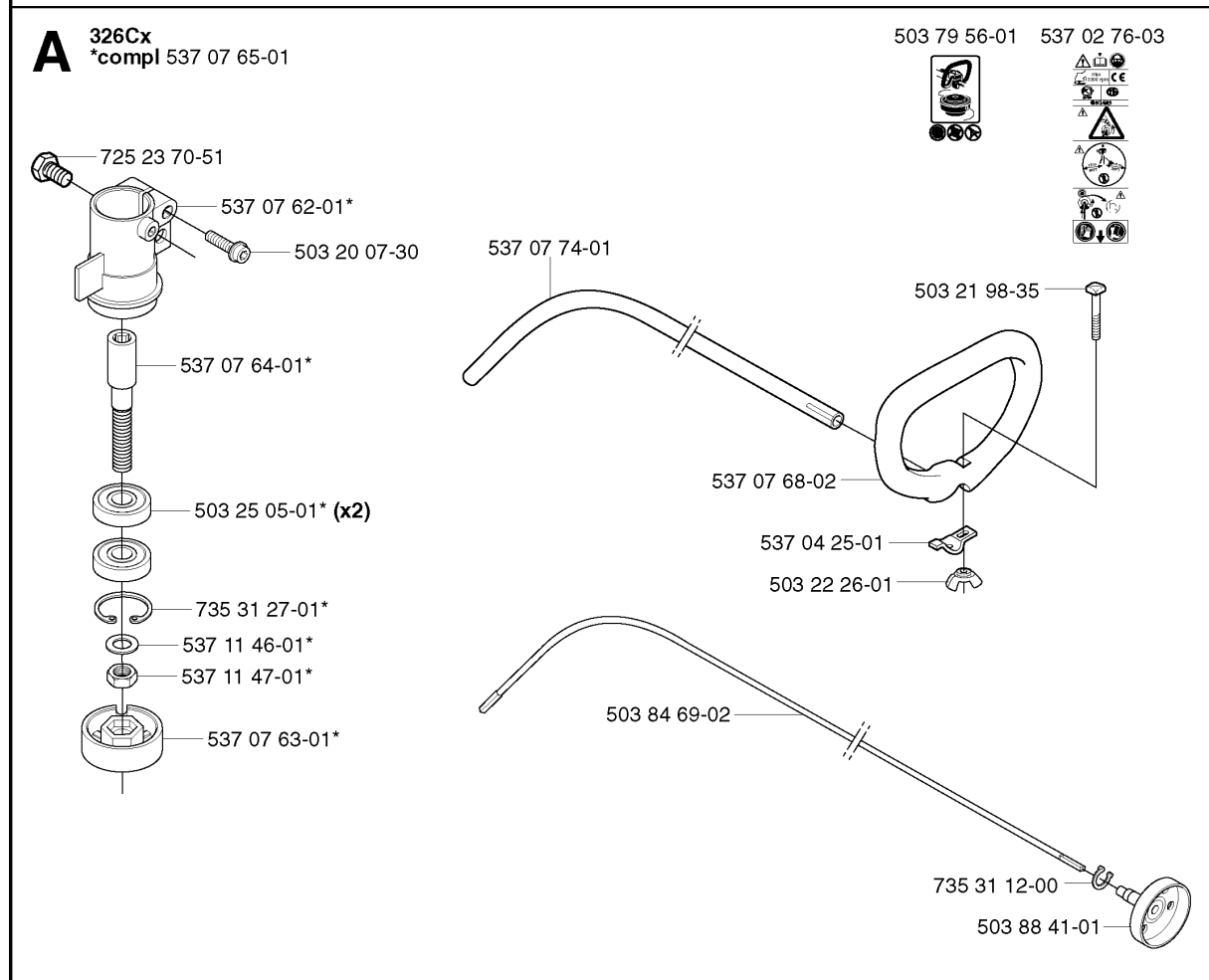
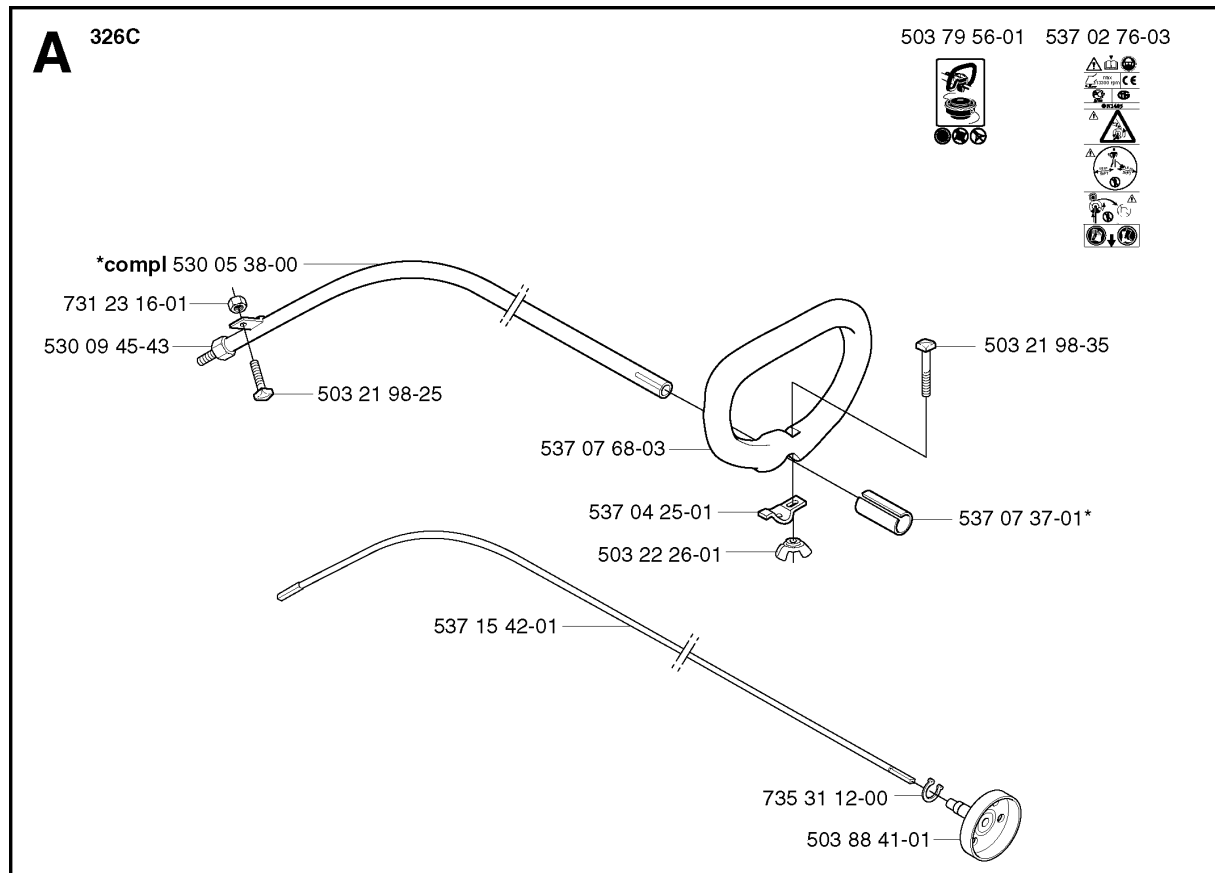
Part No	Description	Remark	QTY KIT
502 20 38-01	KNOB		1
503 20 02-10	SCREW IHSCFM		1
503 20 07-25	SCREW IHSCFM		2
503 70 80-04	COMPRESSION SLEEVE		1
503 71 54-01	LOCKING PLATE		1
503 78 52-01	SUPPORTING BEARING		1
503 79 56-01	LABEL		1
503 98 54-01	BEARING CAGE		1
537 01 16-01	TUBE		1
537 01 19-01	DRIVE SHAFT		1
537 02 76-01	LABEL		1
537 08 27-01	TUBE		1
537 08 30-01	DRIVE SHAFT		1
725 23 79-51	SCREW EHHM		1
735 58 08-10	LOCKWASHER		1



SHAFT & HANDLE

326 L, 2002-08

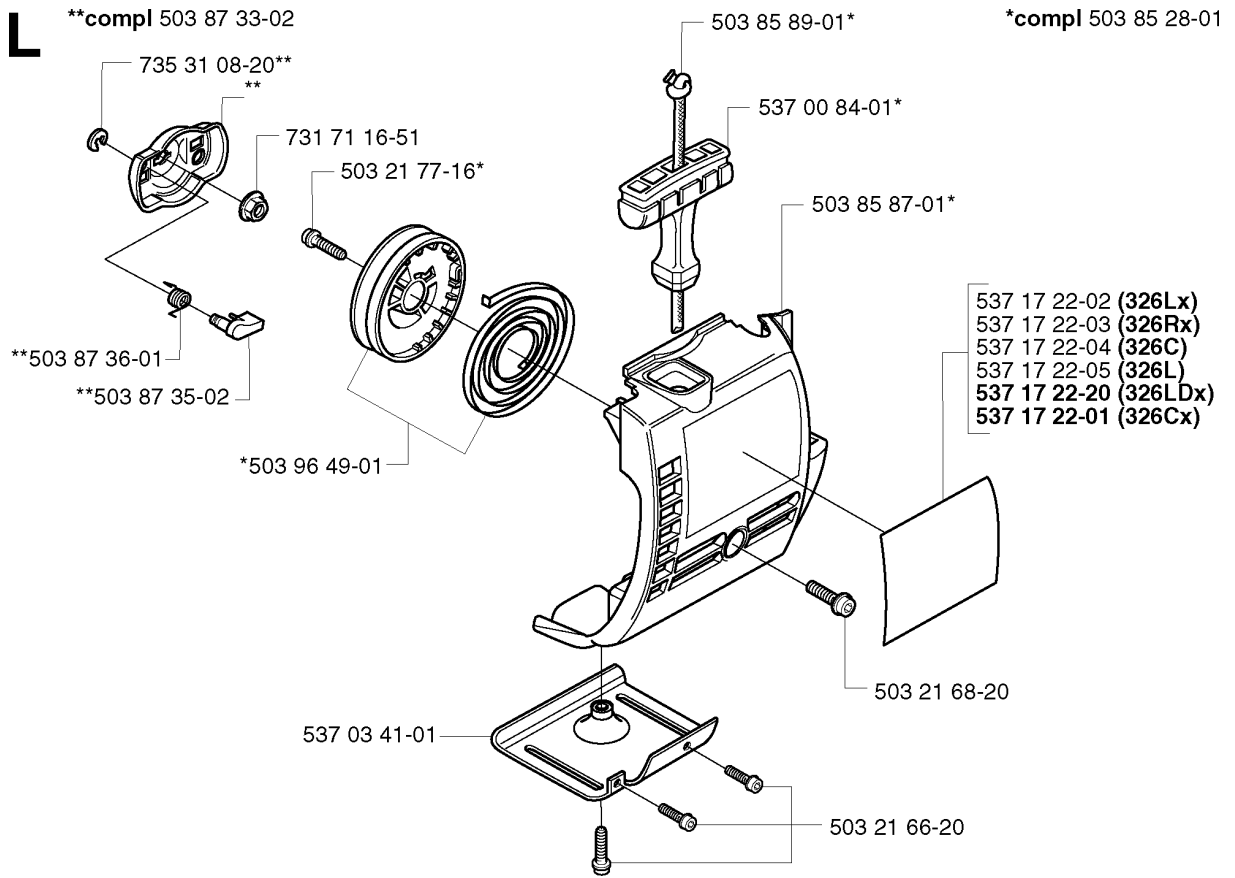
Part No	Description	Remark	QTY KIT
502 19 71-01	SQUARE NUT		1
502 20 38-01	KNOB		1
502 21 12-01	STAPLE		1
503 20 02-45	SCREW IHSCFM		1
503 20 07-16	SCREW IHSCFM		1
503 21 07-45	SCREW IHSCFT		1
503 21 75-25	SCREW IHSCFT		1
503 23 00-61	WASHER	L	1
503 72 10-03	HANDLE		1
503 72 29-01	COVER		1
503 72 43-03	HANDLEBAR PART ASSY		1
503 72 43-09	HANDLEBAR		1
503 75 00-01	HANDLEBAR BRACKET		1
503 79 56-01	LABEL		1
503 80 45-01	BRACKET		1
503 86 45-01	DRIVE SHAFT		1
503 87 19-01	HANDLE.LOOP	L	1
503 87 19-03	HANDLE	LX	1
503 87 26-01	CLUTCH DRUM ASSY		1
503 87 90-01	KNOB	LX	1
503 88 23-01	BRACKET		1
503 88 88-01	TUBE		1
503 94 03-01	DISTANCE		1
503 94 10-01	HOOK		1
537 02 76-01	LABEL		1
537 17 28-01	HANDLE		1
537 17 29-01	COVER		1
725 23 78-51	SCREW EHHM	L	1
725 23 80-51	SCREW EHHM	LX	1
725 23 86-51	SCREW EHHM		1
731 23 14-01	HEXAGON NUT		1



SHAFT & HANDLE

326 L, 2002-08

Part No	Description	Remark	QTY KIT
503 20 07-30	SCREW IHSCFM		1
503 21 98-25	SCREW		1
503 21 98-35	SCREW		1
503 22 26-01	NUT		1
503 25 05-01	BALL BEARING		2
503 79 56-01	LABEL		1
503 84 69-02	SHAFT		1
503 88 41-01	CLUTCH DRUM		1
530 05 38-00	SHAFT		1
530 09 45-43	DRIVER		1
537 02 76-03	LABEL		1
537 04 25-01	ATTACHMENT PLATE		1
537 07 37-01	SPACING TUBE		1
537 07 62-01	BEARING HOUSING		1
537 07 63-01	DRIVER		1
537 07 64-01	BLADE SHAFT		1
537 07 65-01	BEARING HOUSING		1
537 07 68-02	HANDLE		1
537 07 68-03	HANDLE		1
537 07 74-01	TUBE		1
537 11 46-01	WASHER		1
537 11 47-01	NUT		1
537 15 42-01	SHAFT		1
725 23 70-51	SCREW		1
731 23 16-01	HEXAGON NUT		1
735 31 12-00	CIRCLIP		1
735 31 27-01	CIRCLIP		1

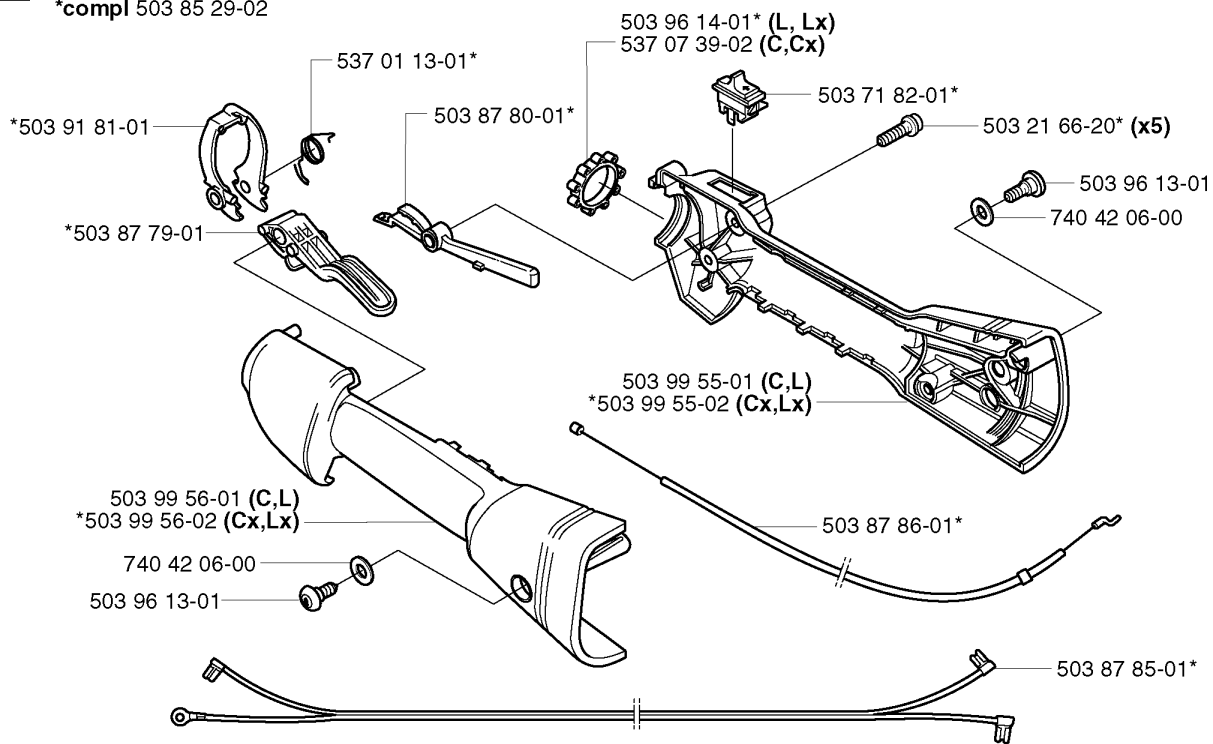


STARTER

326 L, 2002-08

Part No	Description	Remark	QTY KIT
503 21 66-20	SCREW IHSC T		1
503 21 68-20	SCREW IHSC FT		1
503 21 77-16	SCREW IHSC T		1
503 85 28-01	STARTER ASSY		1
503 85 87-01	STARTER HOUSING		1
503 85 89-01	STARTER CORD		1
503 87 33-02	BRIDGE		1
503 87 35-02	STARTER PAWL		1
503 87 36-01	SPRING		1
503 96 49-01	STARTER PULLEY		1
537 00 84-01	STARTER HANDLE		1
537 03 41-01	PROTECTIVE PLATE		1
537 17 22-01	LABEL	326CX	1
537 17 22-02	LABEL	326LX	1
537 17 22-03	LABEL	326RX	1
537 17 22-04	LABEL	326C	1
537 17 22-05	LABEL	326L	1
537 17 22-20	LABEL	326LDX	1
731 71 16-51	HEXAGON NUT FLANGE		1
735 31 08-20	E-CLIP		1

E 326C, L
 326Cx, Lx
 *compl 503 85 29-02



THROTTLE CONTROLS

326 L, 2002-08

Part No	Description	Remark	QTY KIT
503 21 66-20	SCREW IHSCT		5
503 71 82-01	SWITCH		1
503 85 29-02	HANDLE		1
503 87 79-01	THROTTLE TRIGGER		1
503 87 80-01	THROTTLE LOCKOUT		1
503 87 85-01	SHORT CIRCUIT CABLE		1
503 87 86-01	THROTTLE WIRE ASSY		1
503 91 81-01	THROTTLE LEVER		1
503 96 13-01	SCREW		1
503 96 13-01	SCREW		1
503 96 14-01	ABSORBER	L, LX	1
503 99 55-01	HANDLE HALF	C, L	1
503 99 55-02	HANDLE HALF	CX, LX	1
503 99 56-01	HANDLE HALF	C, L	1
503 99 56-02	HANDLE HALF	CX, LX	1
537 01 13-01	RECOIL SPRING		1
537 07 39-02	ANTIVIBRATION ELEMENT	C, CX	1
740 42 06-00	O-RING		1
740 42 06-00	O-RING		1