

323P4 325P4 X-SERIES

Saw attachment

Spare parts
Ersatzteile
Pièces détachées
Reserve onderdelen
Repuestos
Reservdelar

A



2

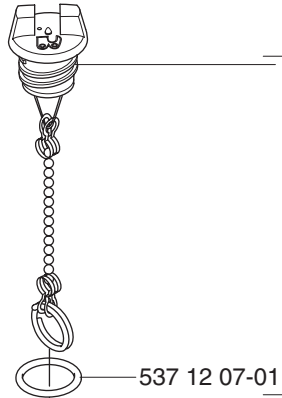


537 13 66-01

537 13 65-01

537 11 88-01 (x4)

537 11 79-01 (x4)



537 12 03-01

537 12 07-01

537 11 78-01

537 11 81-01

537 11 82-01

537 11 80-01

537 11 95-01

537 11 81-01

537 11 97-01

537 12 04-01

537 11 92-01

537 11 91-01

537 12 16-01

537 11 96-01

537 11 81-01

537 12 17-01

537 12 18-01

537 11 84-01

537 14 67-01

537 12 15-01

537 11 83-01

537 11 81-01

537 11 94-01

537 12 52-01

734 11 45-71

537 11 85-01

537 12 13-01

537 08 88-01

**compl 537 11 98-01

501 36 49-98

537 12 01-01

725 53 25-55

**

501 36 49-97

537 12 46-01

537 15 49-01

537 14 29-01

**

537 12 12-01

537 09 19-01

537 12 08-01

537 12 06-01

537 14 30-01

537 12 09-01

503 23 00-68



537 11 29-01*

537 13 92-01

537 09 65-01

503 26 32-02* (x4)

*compl 537 11 28-01

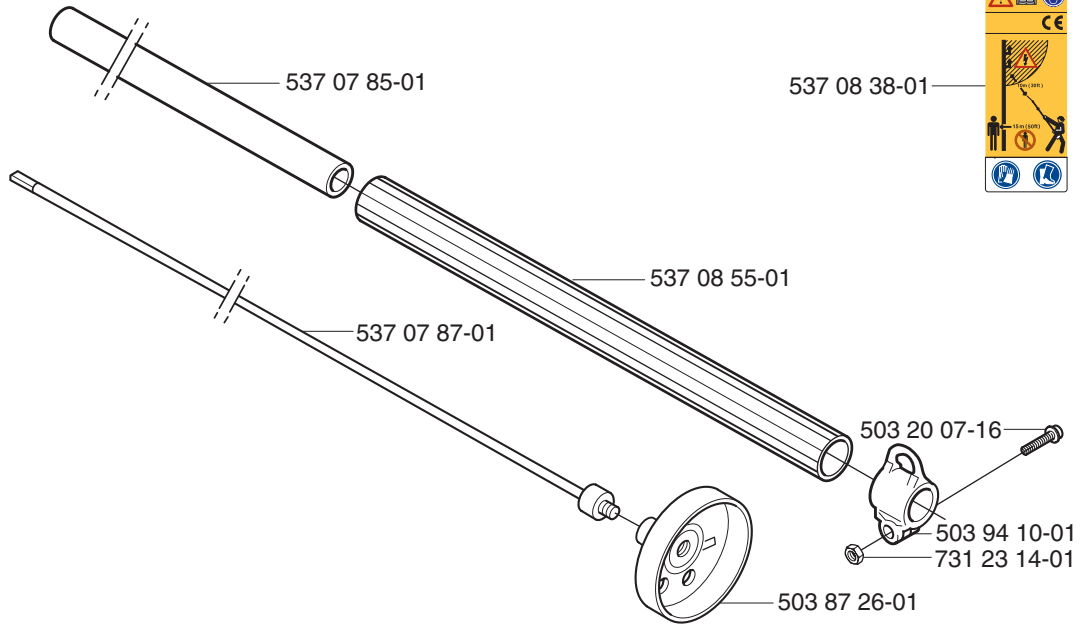
537 11 30-01*

537 11 31-01



B

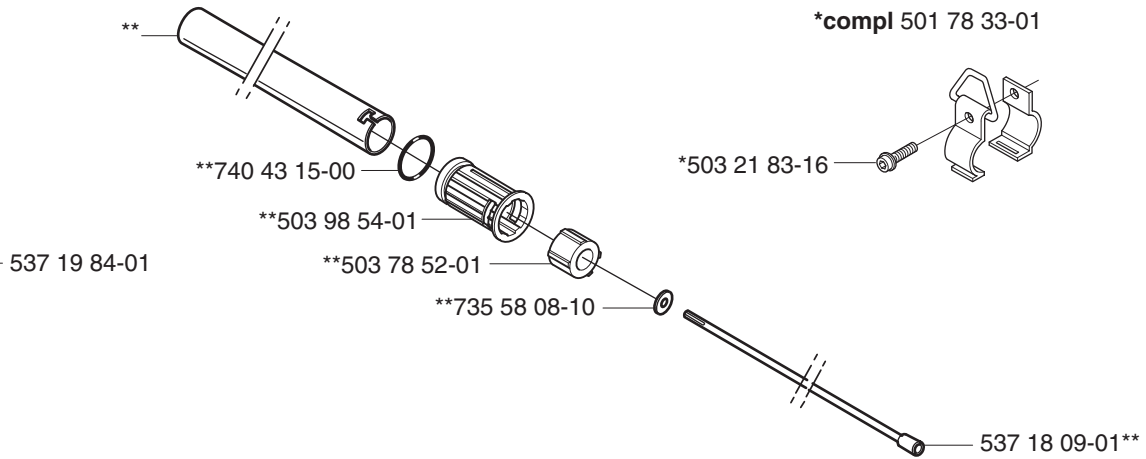
323P4, 325P4x



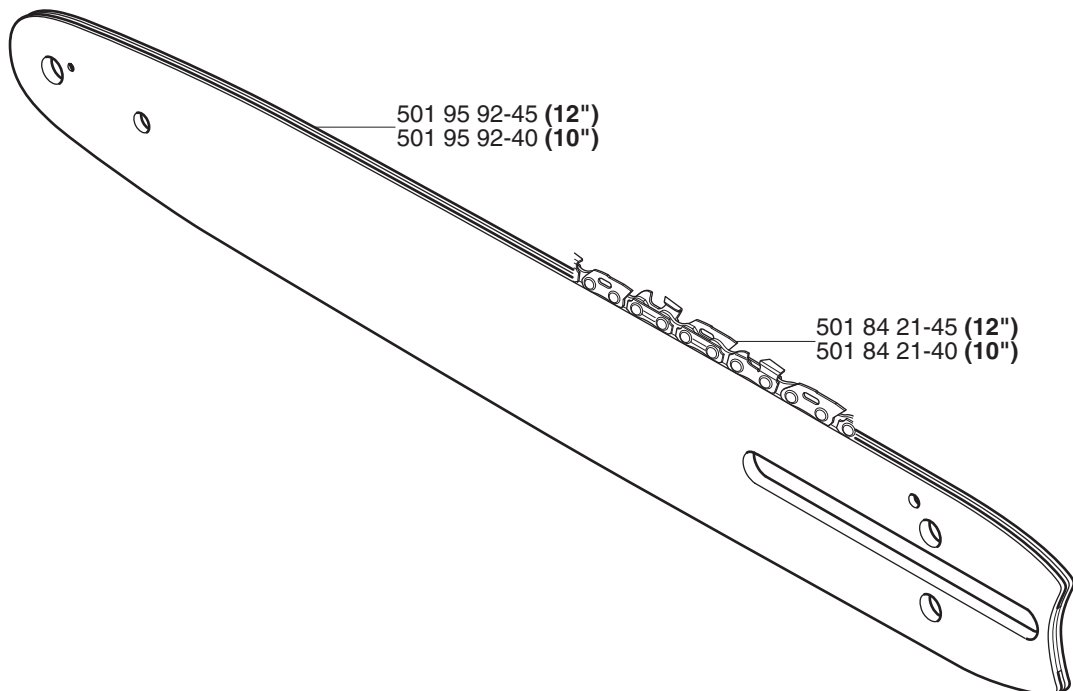
Saw Attachment

**compl 537 17 48-01

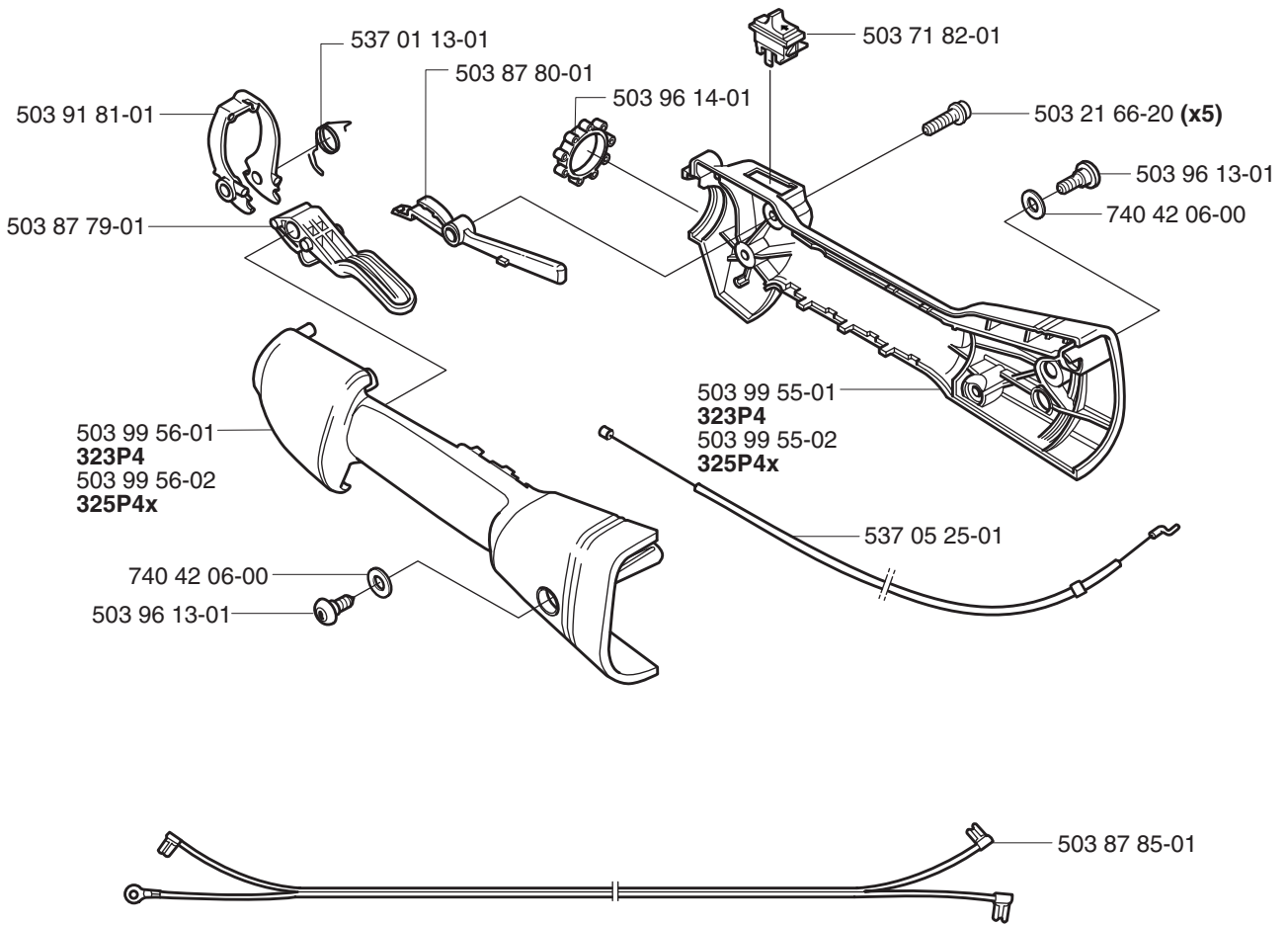
*compl 501 78 33-01



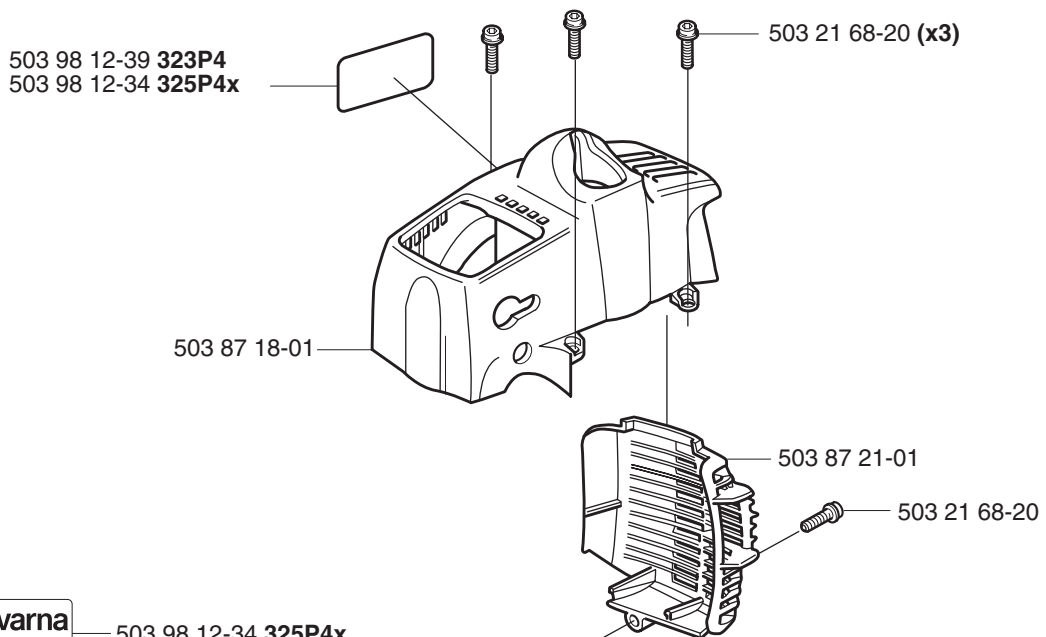
C



D



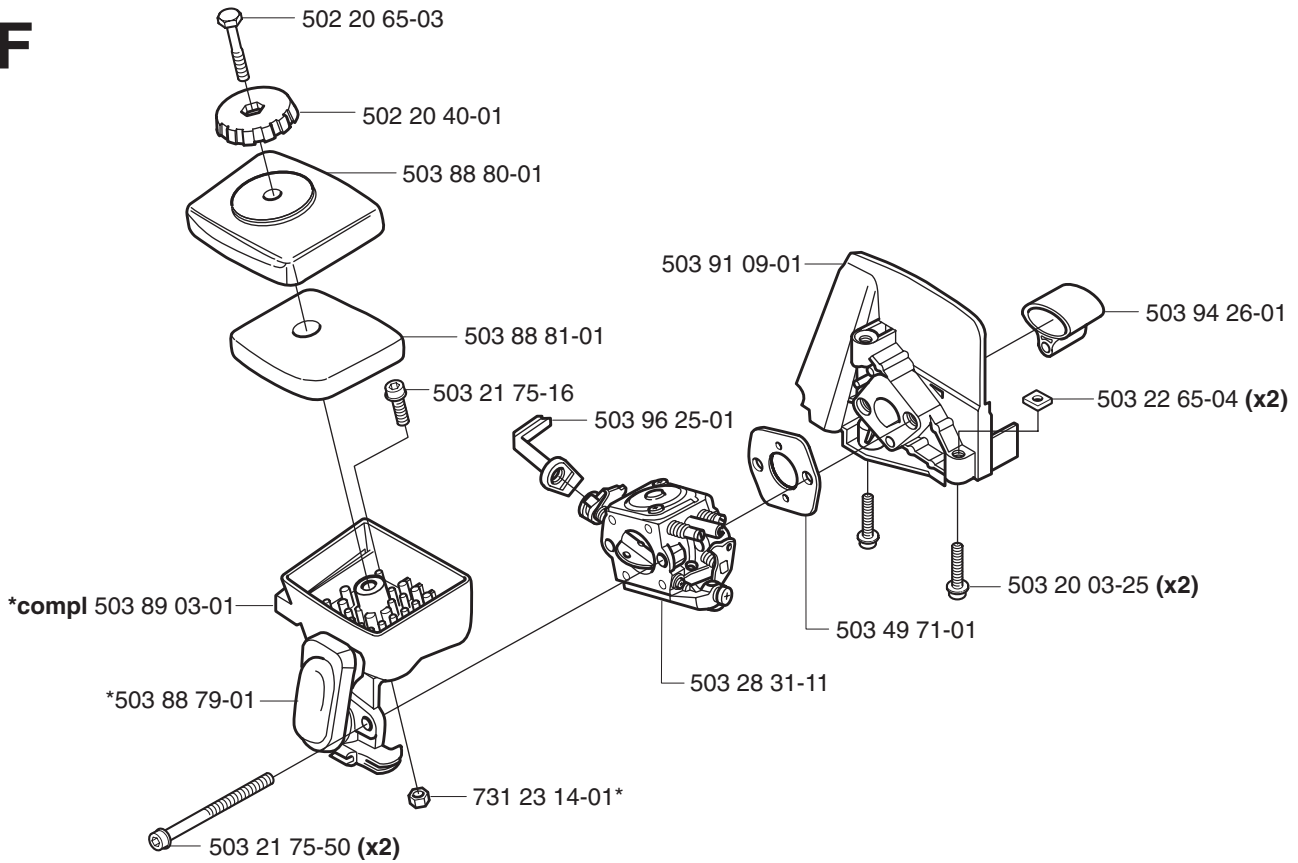
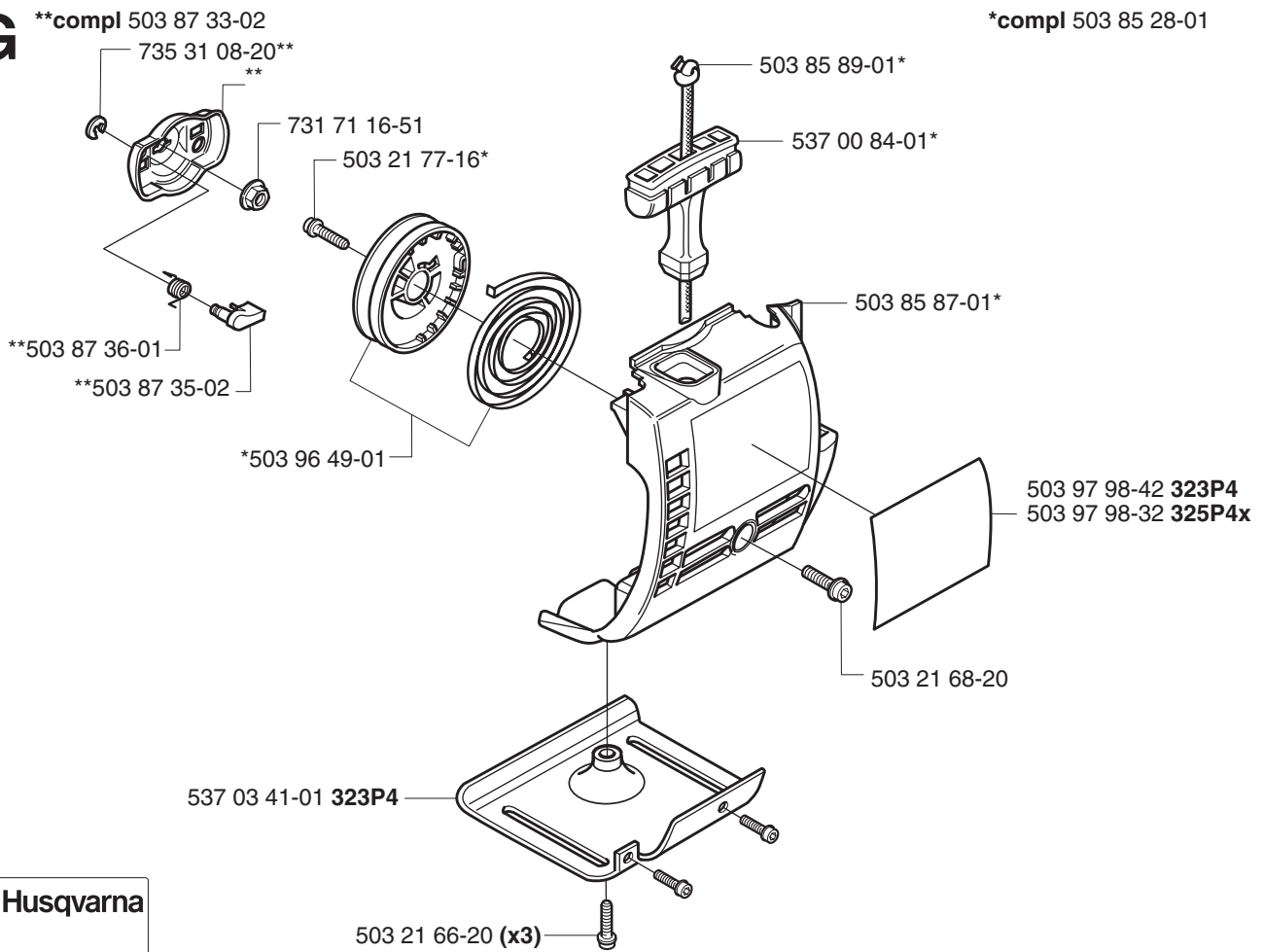
E



503 98 12-34 325P4x



503 98 12-39 323P4

F**G**
323P4

PAT. PEND.

503 97 98-42 323P4

*E-tech***325P4**

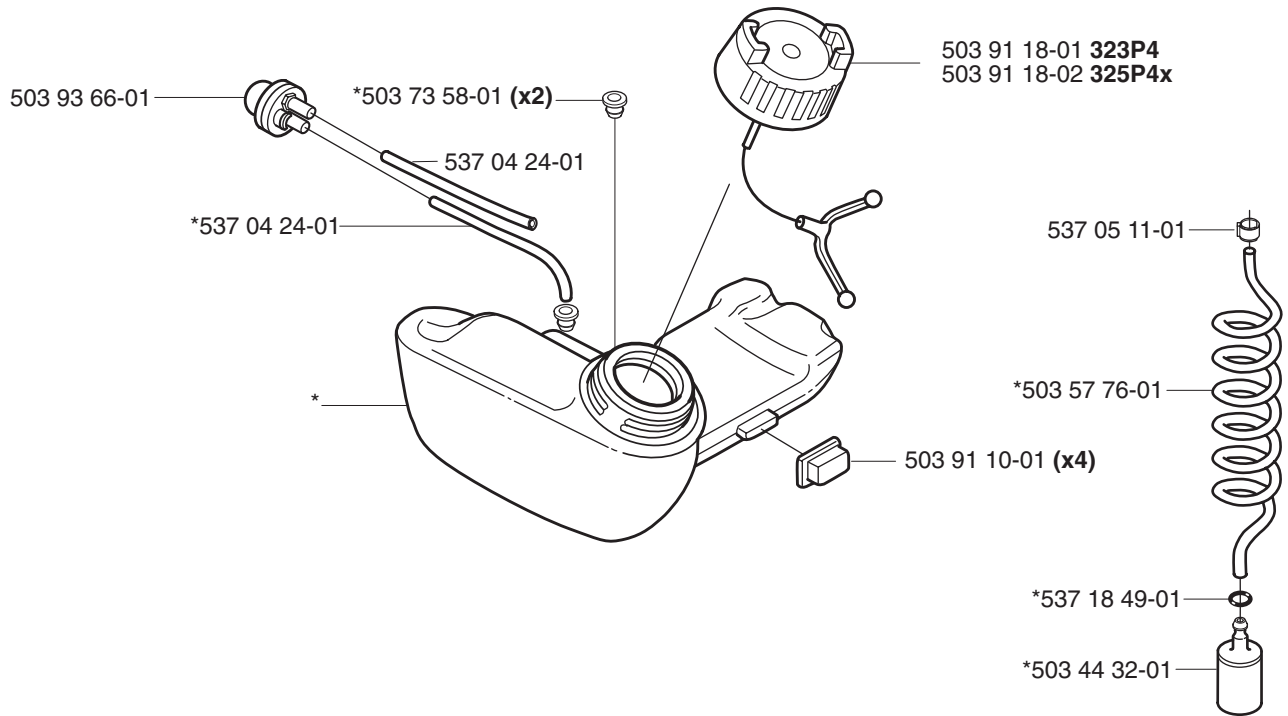
X-SERIES

PAT. PEND.

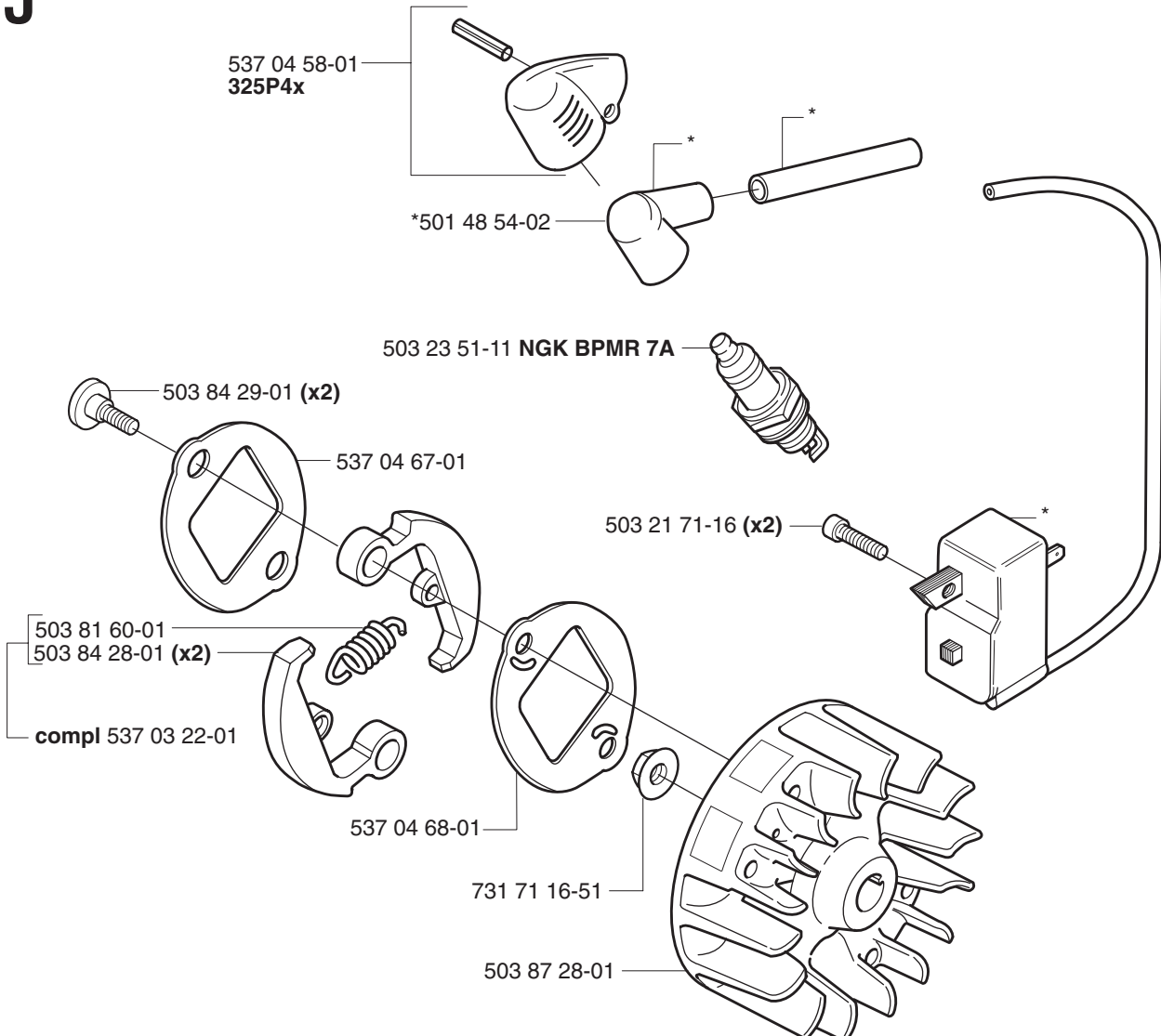
503 97 98-32 325P4x

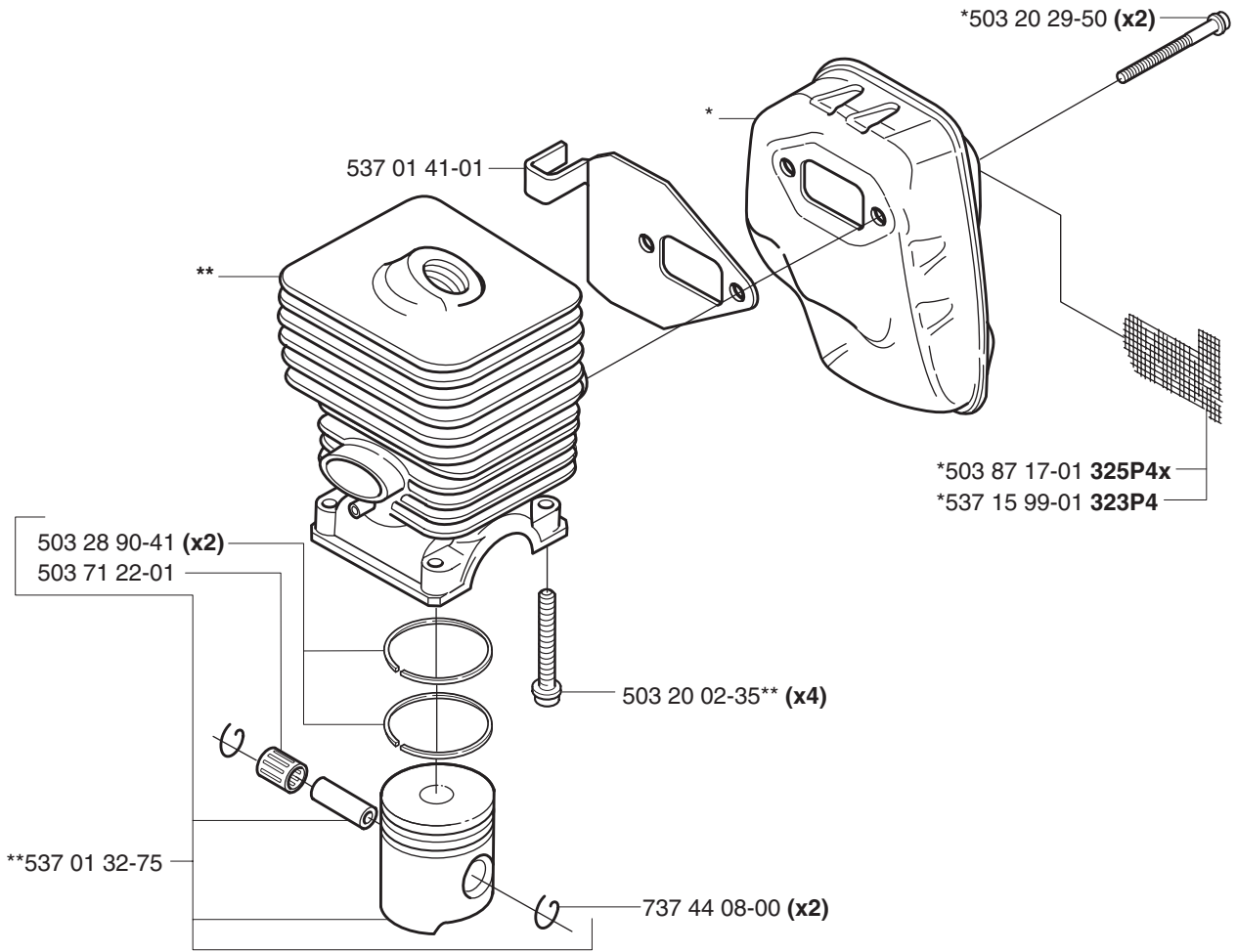
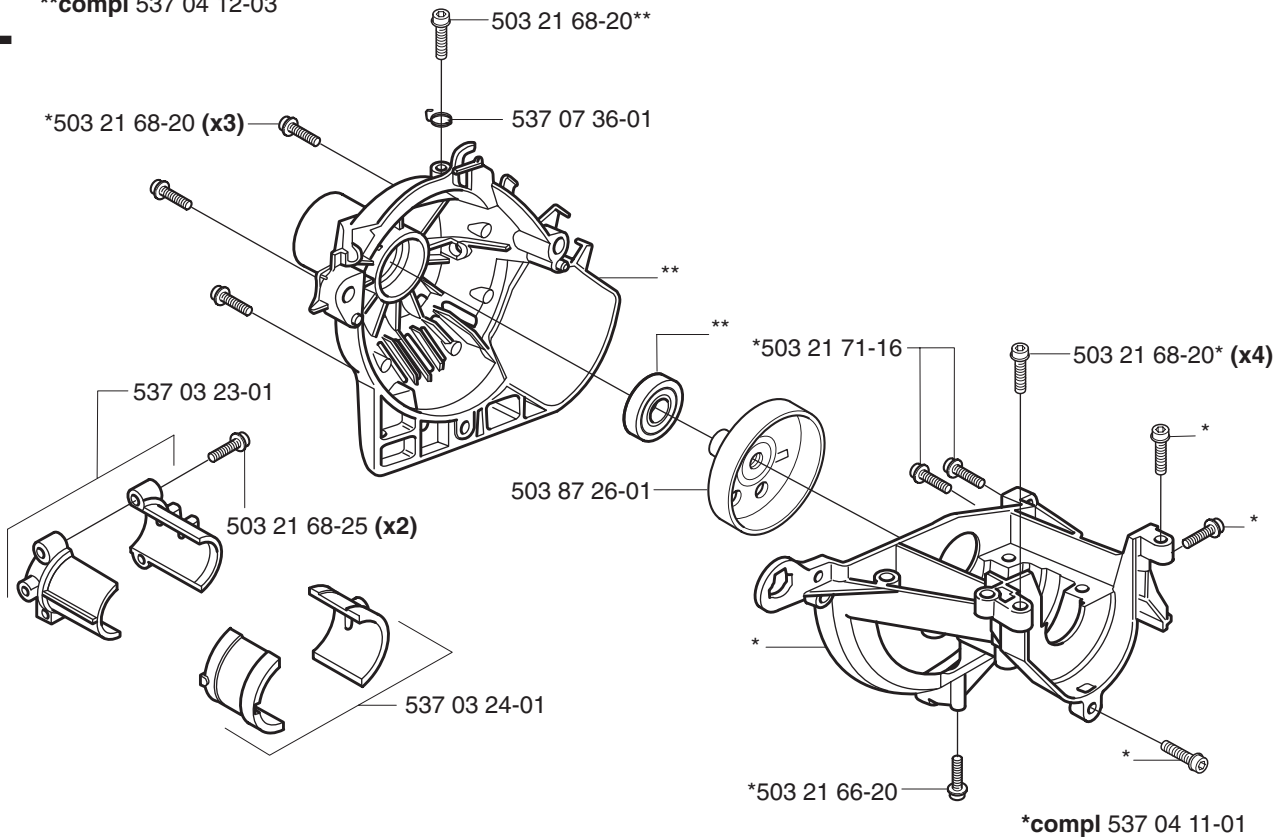
H

*compl 537 06 86-02

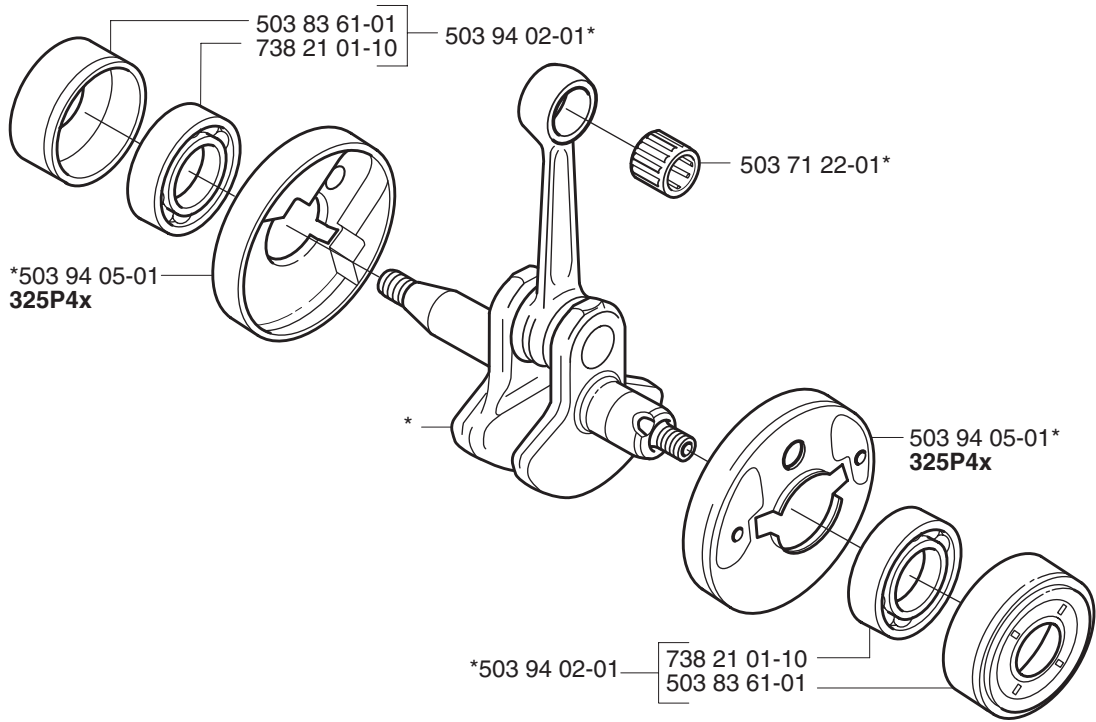
**J**

* compl 537 04 23-01



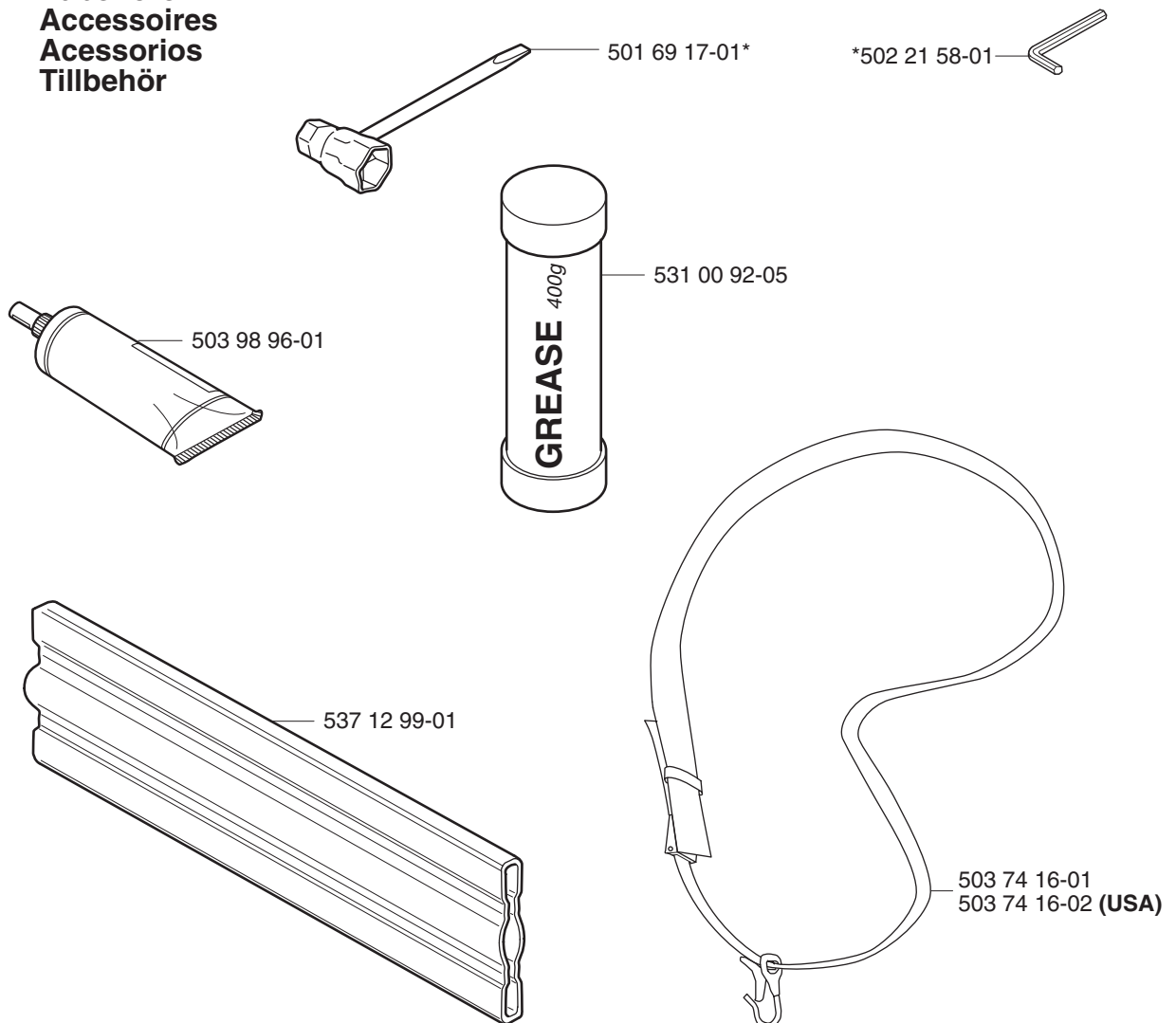
K****compl 537 03 20-05*****compl 537 03 94-01 325P4x**
compl 537 16 19-01 323P4****L***compl 537 04 12-03**

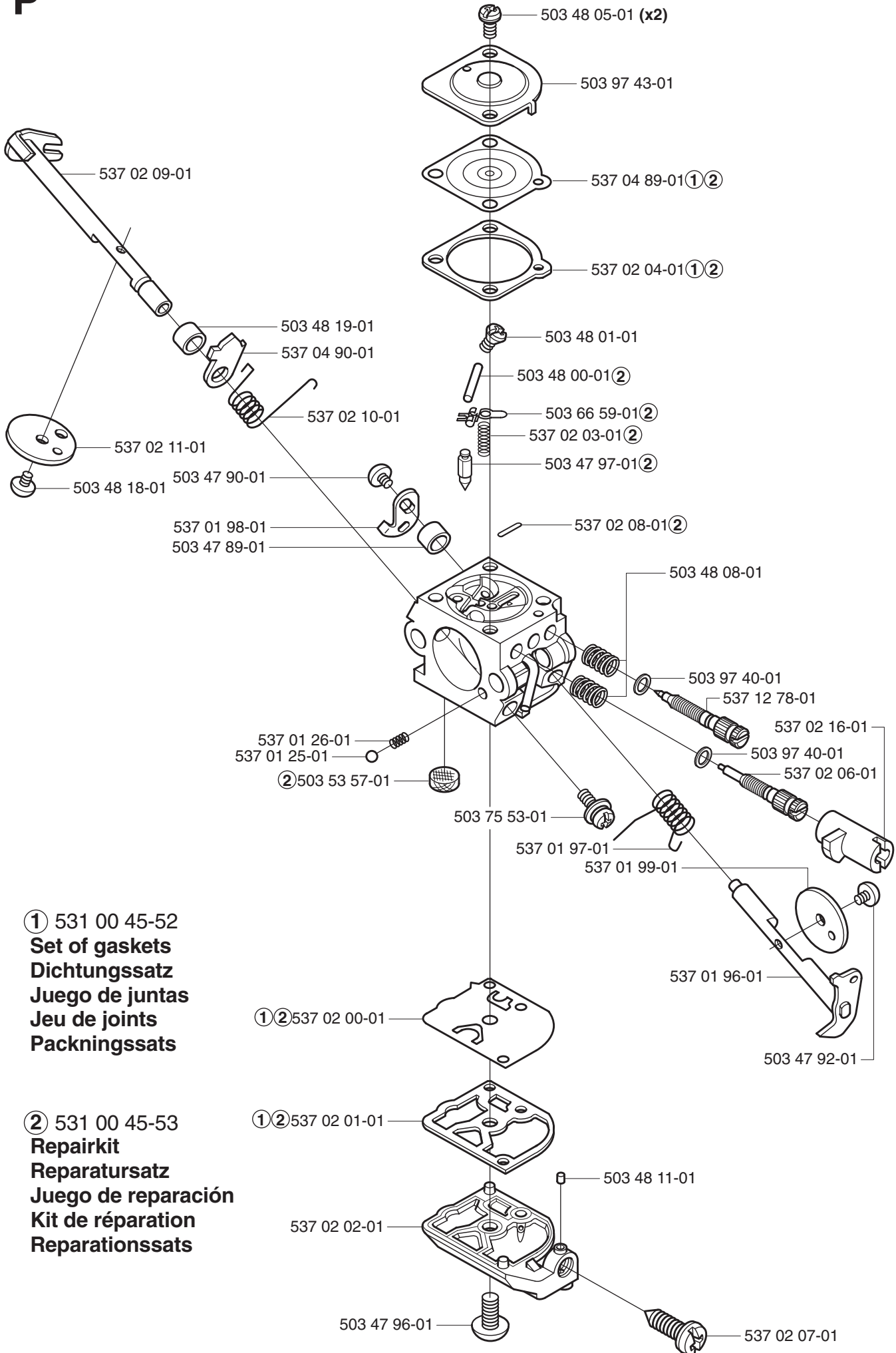
M *compl 503 85 24-74



N Accessories
Zubehöre
Accessoires
Acessorios
Tillbehör

*compl 537 04 07-10





① 531 00 45-52
Set of gaskets
Dichtungssatz
Juego de juntas
Jeu de joints
Packningssatz

② 531 00 45-53
Repairkit
Reparatursatz
Juego de reparación
Kit de réparation
Reparationsatz

323P4, 325P4 X-Series, Saw attachment

PART NUMBER	SQUARE NOTE	PART NUMBER	SQUARE NOTE	PART NUMBER	SQUARE NOTE	PART NUMBER	SQUARE NOTE
501 36 49-97	A	503 87 79-01	D	537 04 67-01	J	735 58 08-10	B N
501 36 49-98	A	503 87 80-01	D	537 04 68-01	J	737 44 08-00	K
501 48 54-02	J	503 87 85-01	D	537 04 89-01	P	738 21 01-10	M
501 69 17-01	N	503 88 79-01	F	537 04 90-01	P	740 42 06-00	D
501 78 33-01	B N	503 88 80-01	F	537 05 11-01	H	740 43 15-00	B N
501 84 21-40	C	503 88 81-01	F	537 05 25-01	D		
501 84 21-45	C	503 89 03-01	F	537 07 36-01	L		
501 95 92-40	C	503 91 09-01	F	537 07 85-01	B		
501 95 92-45	C	503 91 10-01	H	537 07 87-01	B		
502 20 40-01	F	503 91 18-01	H N	537 08 38-01	B		
502 20 65-03	F	503 91 18-02	H	537 08 55-01	B		
502 21 58-01	N	503 91 81-01	D	537 08 88-01	A		
503 20 02-35	K	503 93 66-01	H	537 09 19-01	A		
503 20 03-25	F	503 94 02-01	M	537 09 65-01	A		
503 20 07-16	B	503 94 05-01	M	537 11 28-01	A		
503 20 29-50	K	503 94 10-01	B	537 11 29-01	A		
503 21 66-20	DGL	503 94 26-01	F	537 11 30-01	A		
503 21 68-20	EGL	503 96 13-01	D	537 11 31-01	A		
503 21 68-25	L	503 96 14-01	D	537 11 78-01	A		
503 21 71-16	JL	503 96 25-01	F	537 11 79-01	A		
503 21 75-16	F	503 96 49-01	G	537 11 80-01	A		
503 21 75-50	F	503 97 40-01	P	537 11 81-01	A		
503 21 77-16	G	503 97 43-01	P	537 11 82-01	A		
503 21 83-16	B N	503 97 98-32	G	537 11 83-01	A		
503 22 65-04	F	503 97 98-42	G N	537 11 84-01	A		
503 23 00-68	A	503 98 12-34	E	537 11 85-01	A		
503 23 51-11	J	503 98 12-39	E N	537 11 87-01	A		
503 26 32-02	A	503 98 54-01	B N	537 11 88-01	A		
503 28 31-11	FP N	503 98 96-01	N	537 11 91-01	A		
503 28 90-41	K	503 99 55-01	D N	537 11 92-01	A		
503 44 32-01	H	503 99 55-02	D	537 11 94-01	A		
503 47 89-01	P	503 99 56-01	D N	537 11 95-01	A		
503 47 90-01	P	503 99 56-02	D	537 11 96-01	A		
503 47 92-01	P	531 00 45-52	P	537 11 97-01	A		
503 47 96-01	P	531 00 45-53	P	537 11 98-01	A		
503 47 97-01	P	531 00 92-05	N N	537 12 01-01	A		
503 48 00-01	P	537 00 84-01	G	537 12 03-01	A		
503 48 01-01	P	537 01 13-01	D	537 12 04-01	A		
503 48 05-01	P	537 01 25-01	P	537 12 06-01	A		
503 48 08-01	P	537 01 26-01	P	537 12 07-01	A		
503 48 11-01	P	537 01 32-75	K	537 12 08-01	A		
503 48 18-01	P	537 01 41-01	K	537 12 09-01	A		
503 48 19-01	P	537 01 96-01	P	537 12 12-01	A		
503 49 71-01	F	537 01 97-01	P	537 12 13-01	A		
503 53 57-01	P	537 01 98-01	P	537 12 15-01	A		
503 57 76-01	H	537 01 99-01	P	537 12 16-01	A		
503 66 59-01	P	537 02 00-01	P	537 12 17-01	A		
503 71 22-01	KM	537 02 01-01	P	537 12 18-01	A		
503 71 82-01	D	537 02 02-01	P	537 12 46-01	A		
503 73 58-01	H	537 02 03-01	P	537 12 52-01	A		
503 74 16-01	N	537 02 04-01	P	537 12 78-01	P N		
503 74 16-02	N	537 02 06-01	P	537 12 99-01	N N		
503 75 53-01	P	537 02 07-01	P	537 13 65-01	A		
503 78 52-01	B N	537 02 08-01	P	537 13 66-01	A		
503 81 60-01	J	537 02 09-01	P	537 13 92-01	A		
503 83 61-01	M	537 02 10-01	P	537 14 29-01	A		
503 84 28-01	J	537 02 11-01	P	537 14 30-01	A		
503 84 29-01	J	537 02 16-01	P	537 14 67-01	A		
503 85 24-74	M	537 03 20-05	K	537 15 49-01	A		
503 85 28-01	G	537 03 22-01	J	537 15 99-01	K N		
503 85 87-01	G	537 03 23-01	L	537 16 19-01	K N		
503 85 89-01	G	537 03 24-01	L	537 17 48-01	B N		
503 87 17-01	K	537 03 41-01	G	537 18 09-01	B N		
503 87 18-01	E	537 03 94-01	K	537 18 49-01	H N		
503 87 21-01	E	537 04 07-10	N	537 19 84-01	B N		
503 87 26-01	BL	537 04 11-01	L	725 53 25-55	A		
503 87 28-01	J	537 04 12-03	L N	731 23 14-01	BF		
503 87 33-02	G	537 04 23-01	J	731 71 16-51	GJ		
503 87 35-02	G	537 04 24-01	H	734 11 45-71	A		
503 87 36-01	G	537 04 58-01	J	735 31 08-20	G		

N = New part, Neues teil,
Nouvelle piece, Nueva pieza
Ny detalj