

326P4

326P4

X-SERIES

326P5

X-SERIES

Saw attachment

Spare parts

Ersatzteile

Pièces détachées

Reserve onderdelen

Repuestos

Reservdelar

A

537 13 66-01

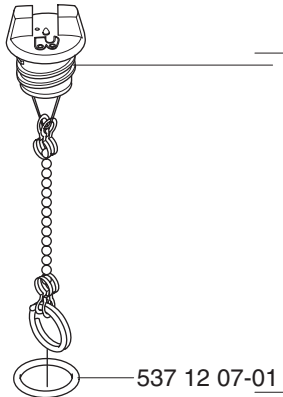


537 13 65-01



537 11 88-01 (x4)

537 11 79-01 (x4)



537 12 03-01

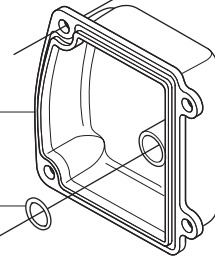
537 12 07-01

537 11 78-01

537 11 81-01

735 58 52-00

537 11 82-01



537 11 95-01

537 11 81-01

537 11 97-01

537 12 04-01

537 11 92-01

537 11 91-01

537 12 16-01

537 11 96-01

537 11 83-01

537 11 81-01

537 11 87-01

537 11 94-01

537 12 52-01

537 12 17-01

537 12 18-01

537 11 84-01

537 14 67-01

537 12 15-01

725 53 25-55

734 11 45-71

501 36 49-98

537 11 85-01

537 12 13-01

537 08 88-01

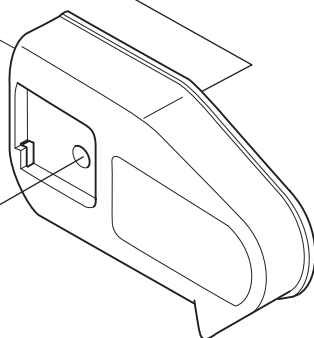
537 15 49-01

**compl 537 11 98-01

501 36 49-97

537 12 01-01

537 12 46-01



537 09 19-01

537 12 12-01

537 14 29-01

**

537 12 08-01

537 12 06-01

537 14 30-01

537 12 09-01

503 23 00-68



537 11 29-01*

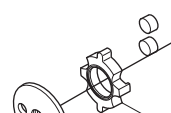
537 13 92-01

537 09 65-01

537 11 30-01*

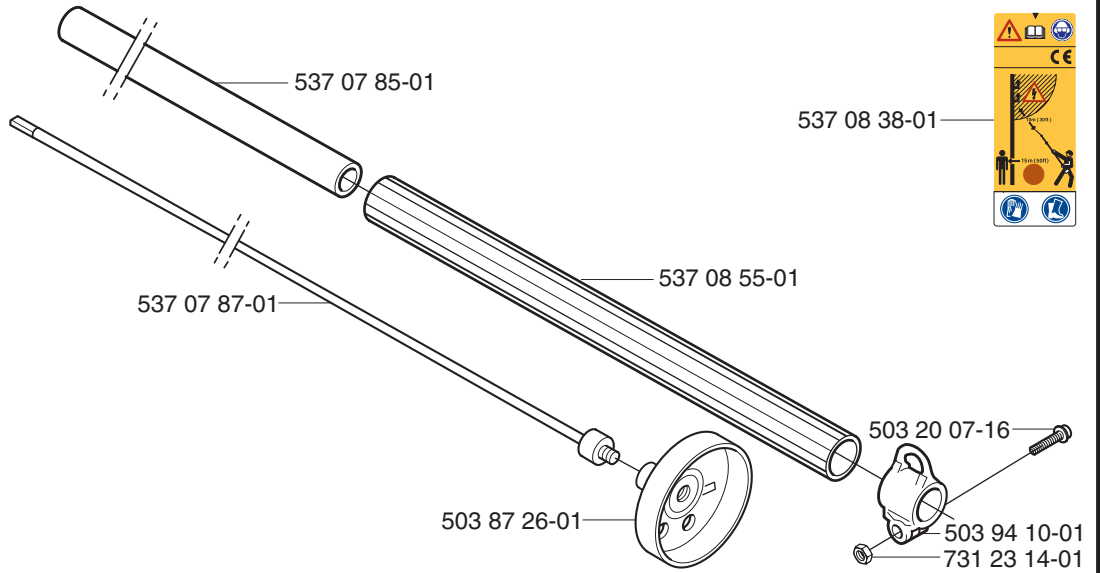
537 11 31-01

*compl 537 11 28-01

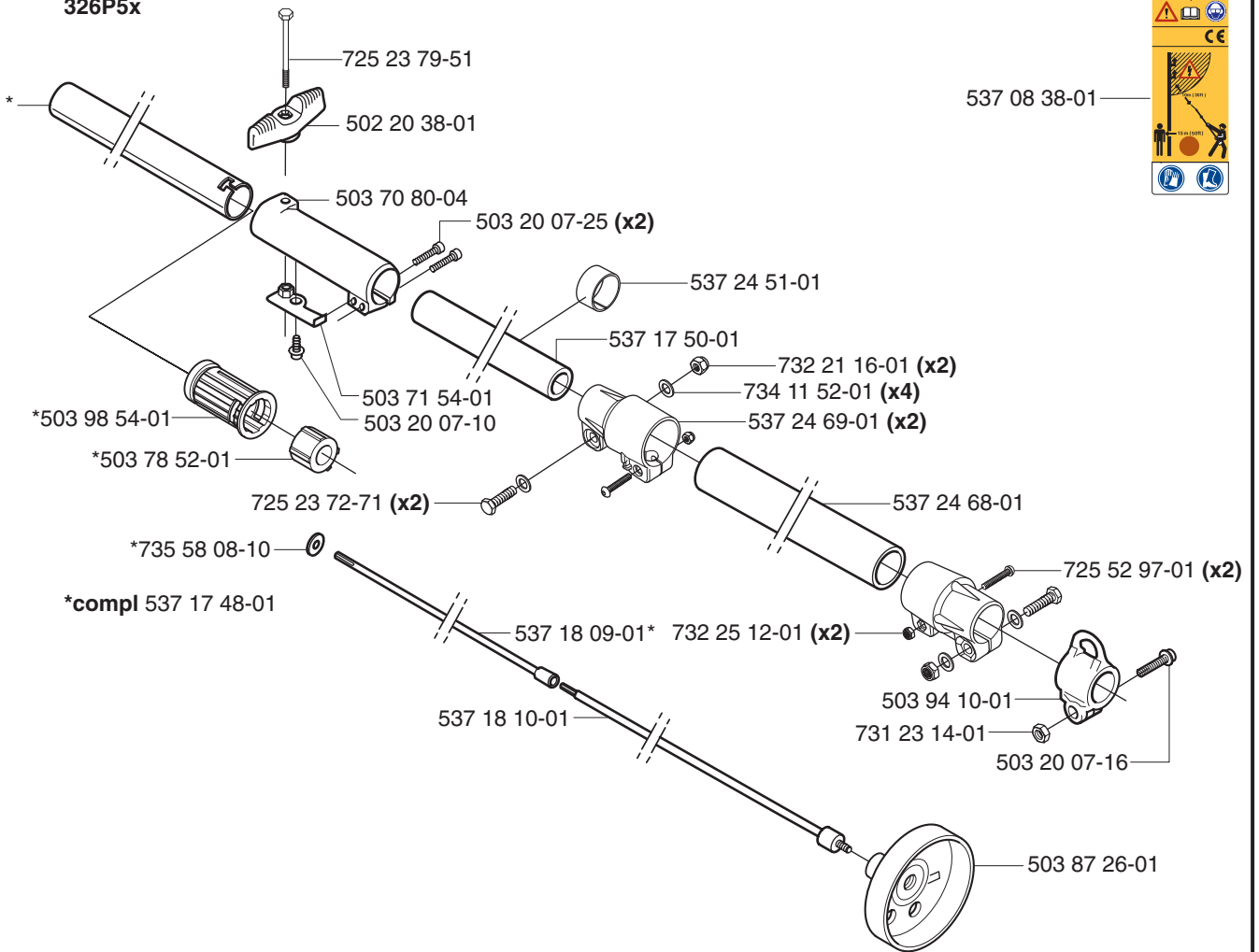


B

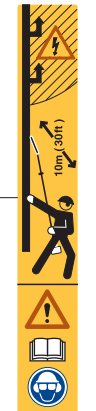
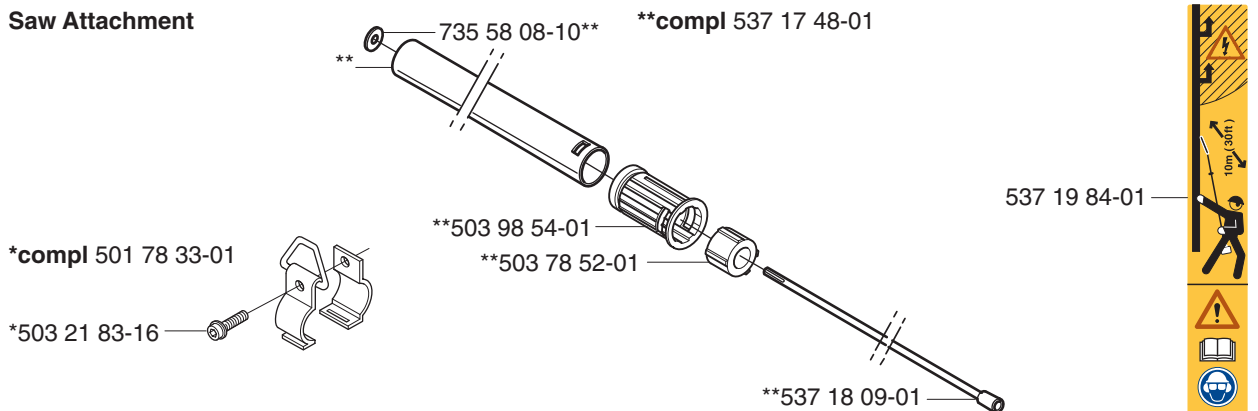
326P4, 326P4x



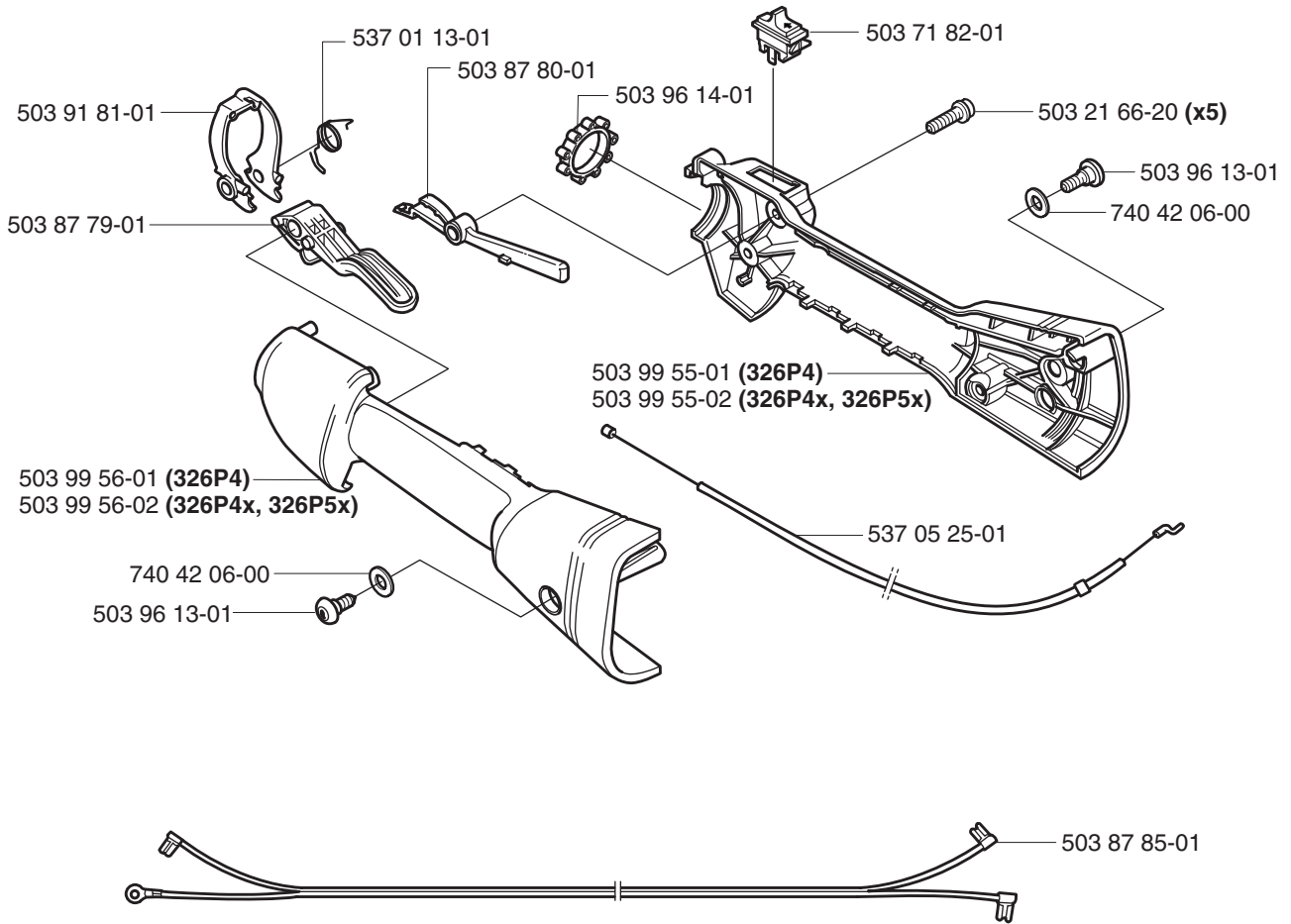
326P5x



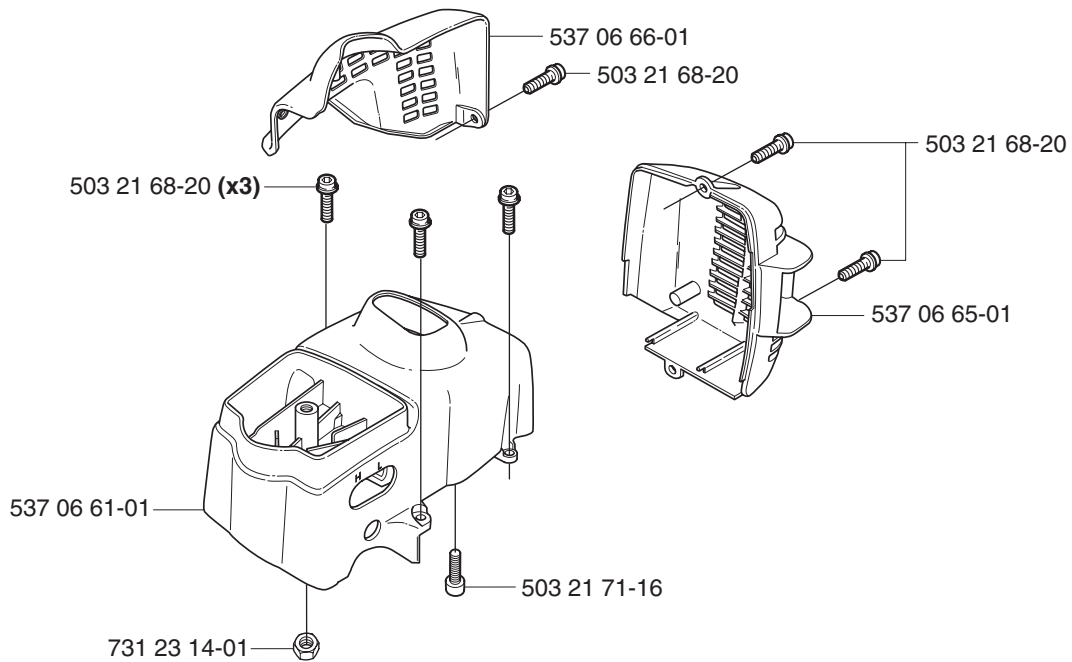
Saw Attachment



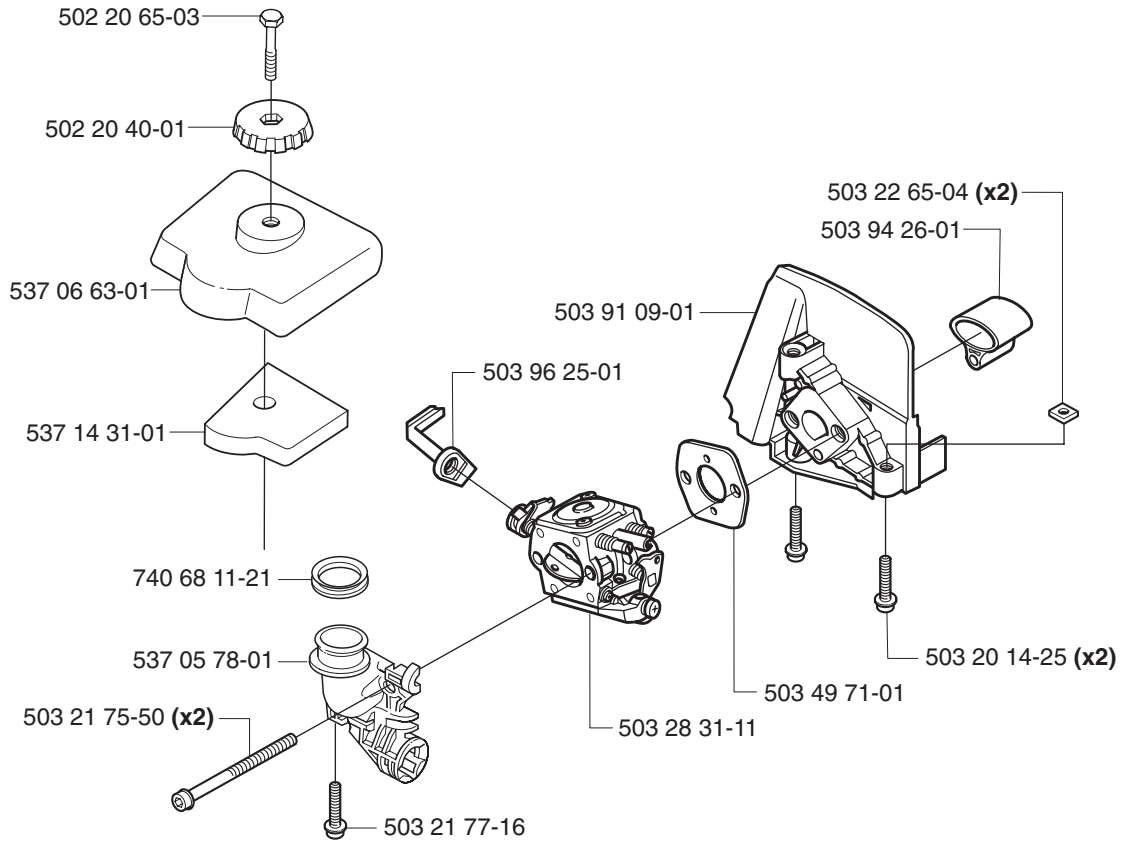
C



D



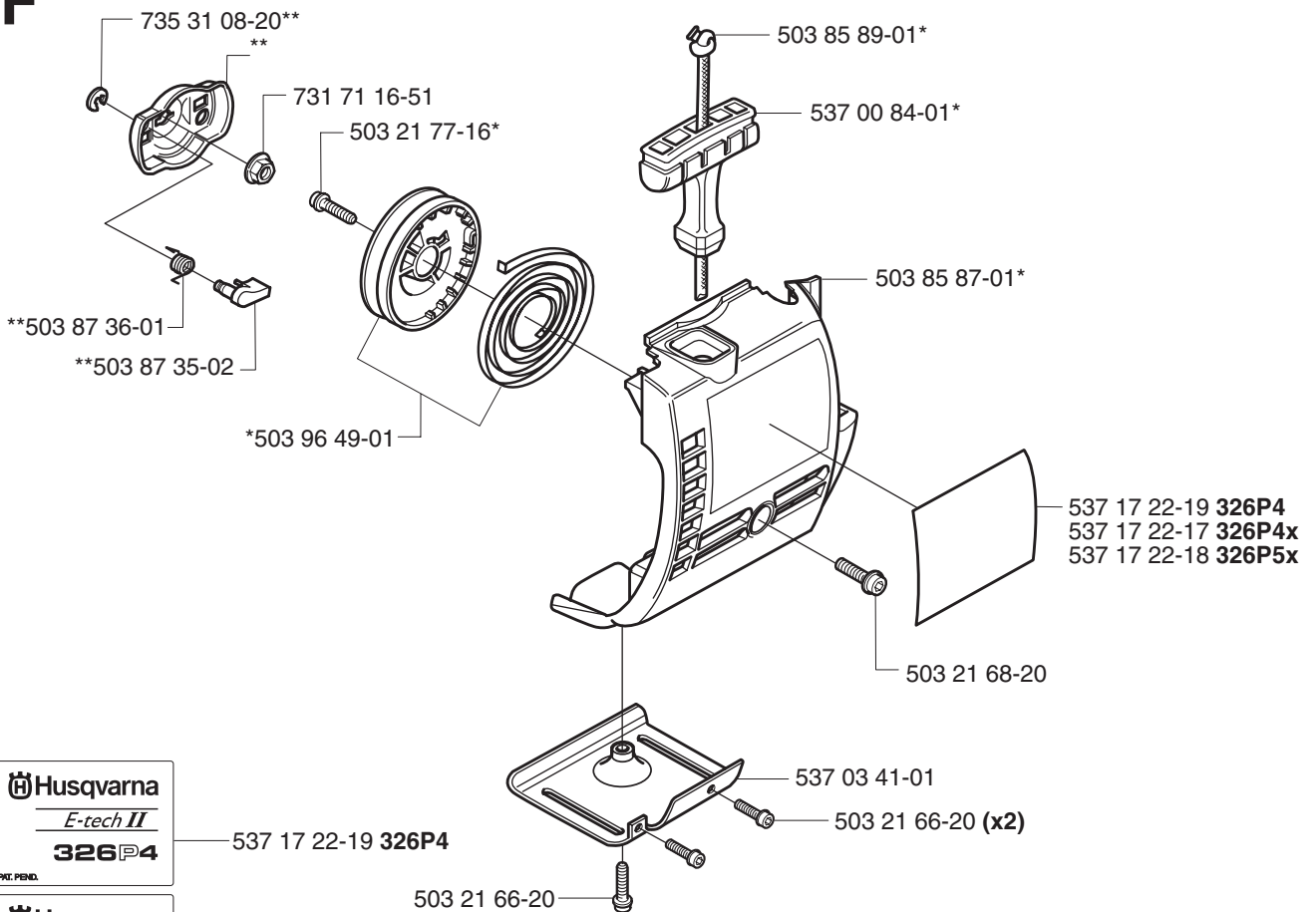
E



F

**compl 503 87 33-02

*compl 503 85 28-01



537 17 22-19 326P4

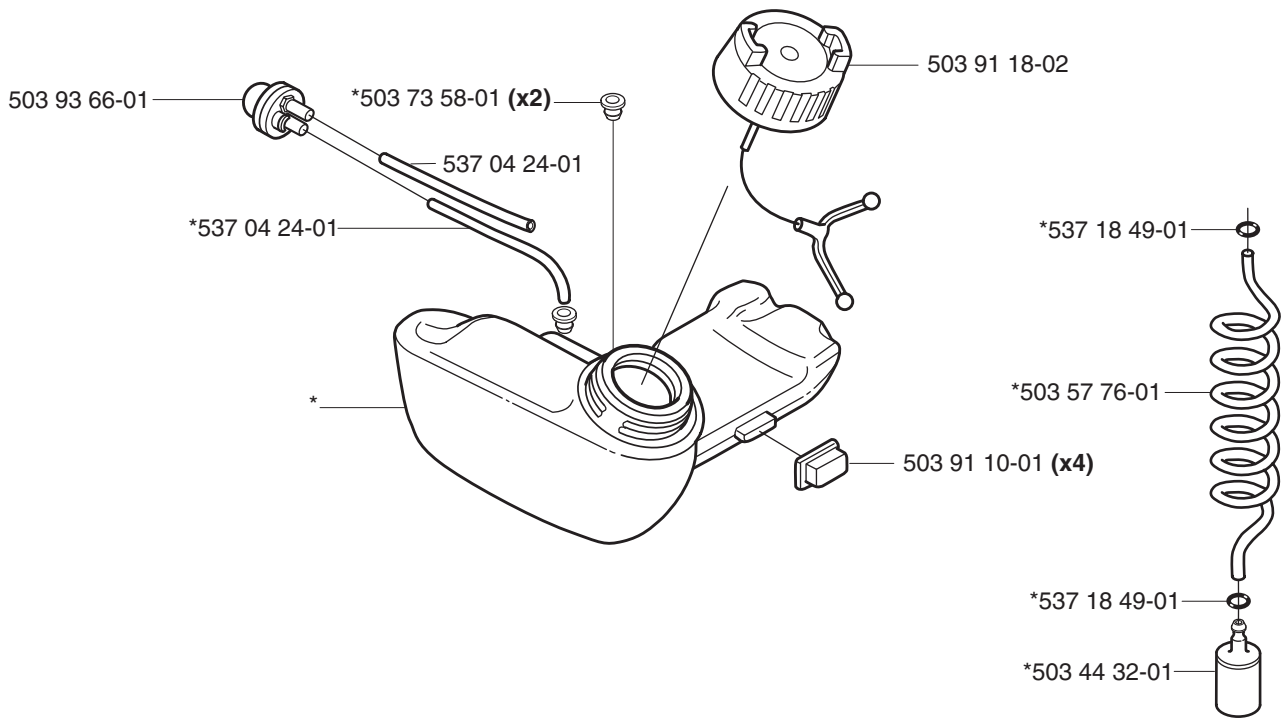


537 17 22-17 326P4x

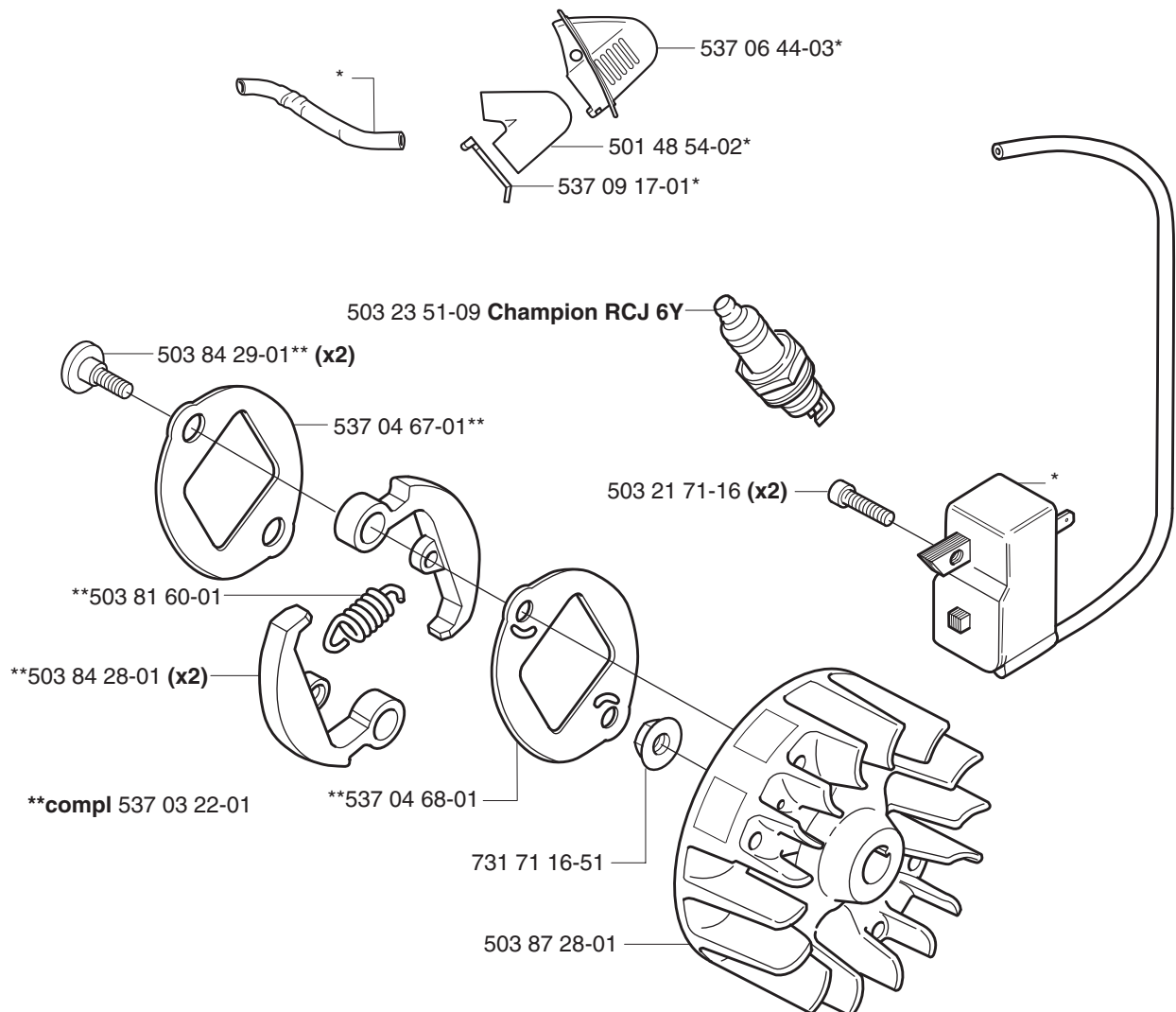


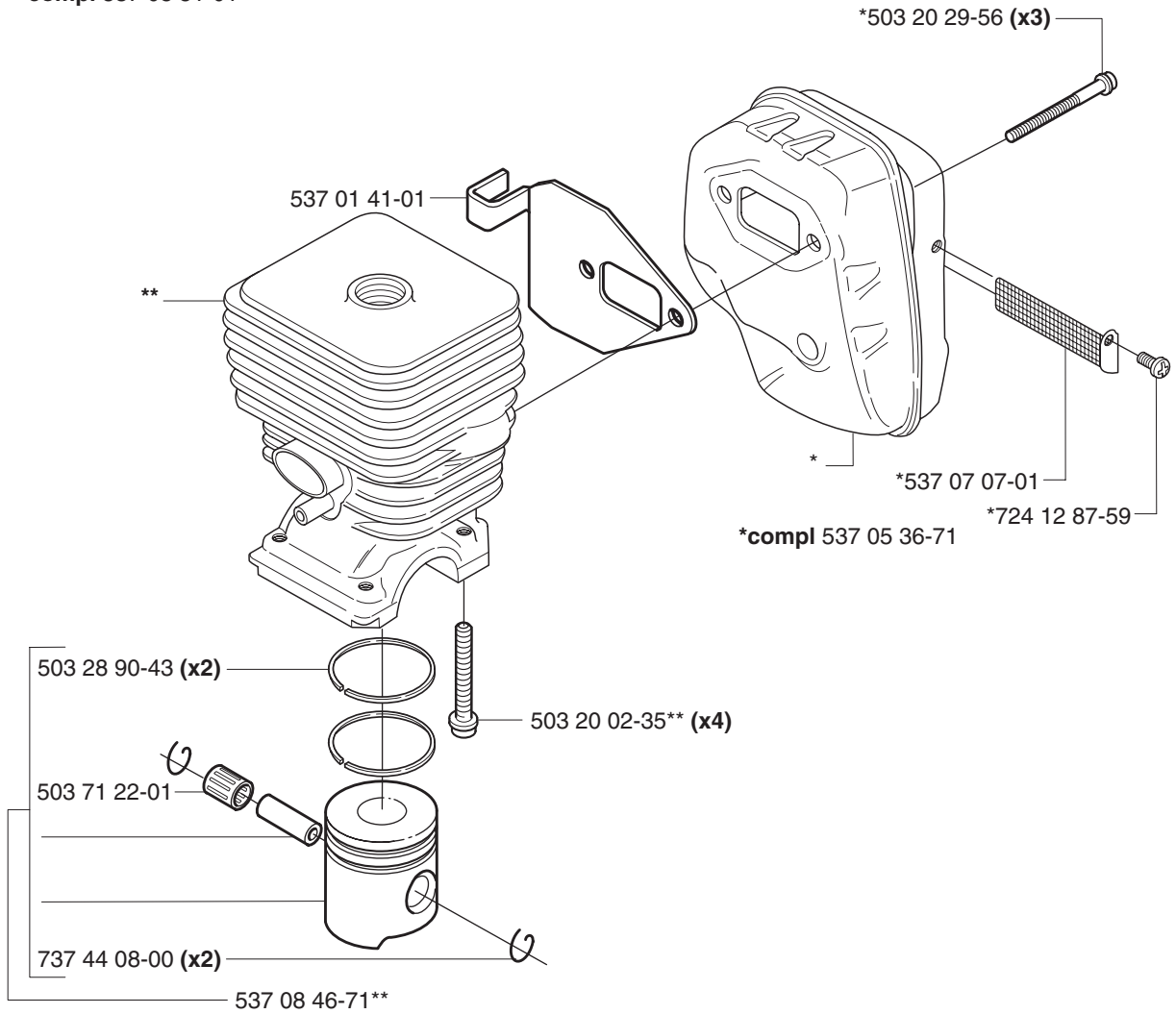
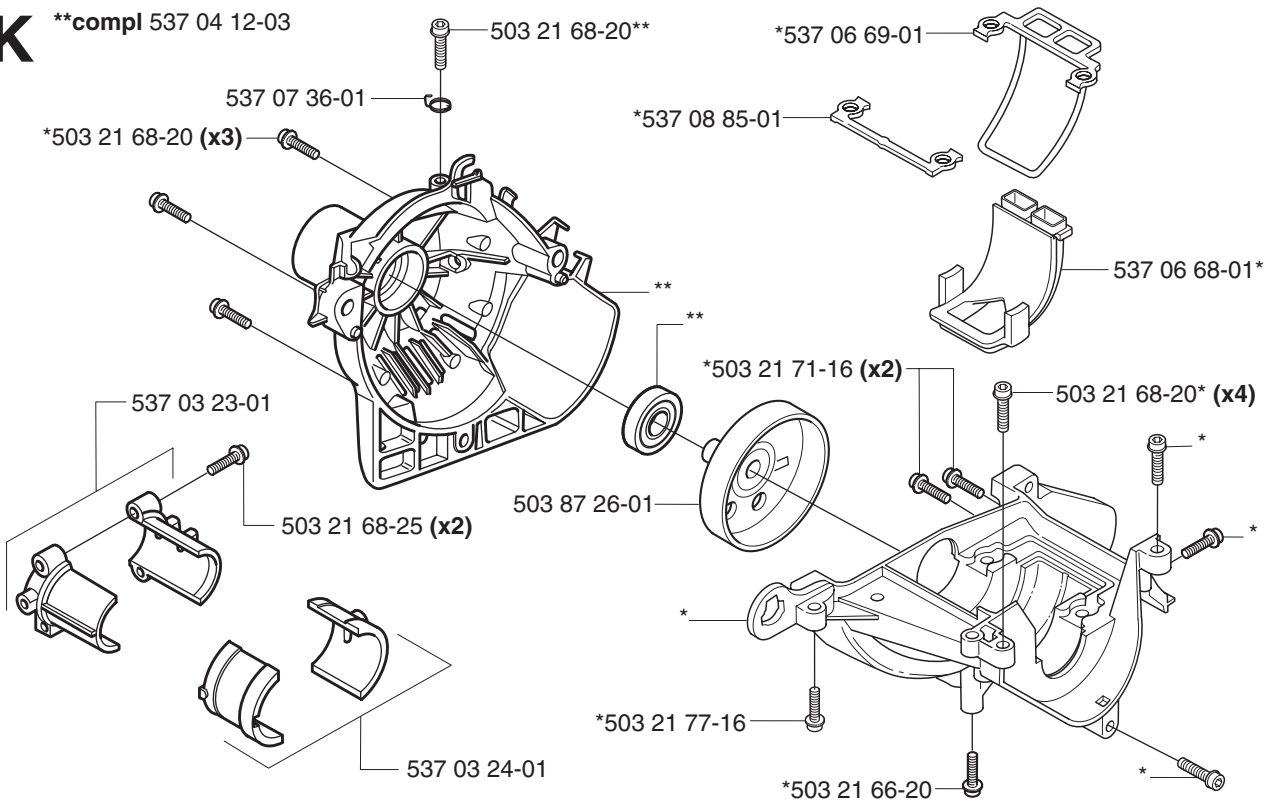
537 17 22-18 326P5x

G *compl 537 06 86-02



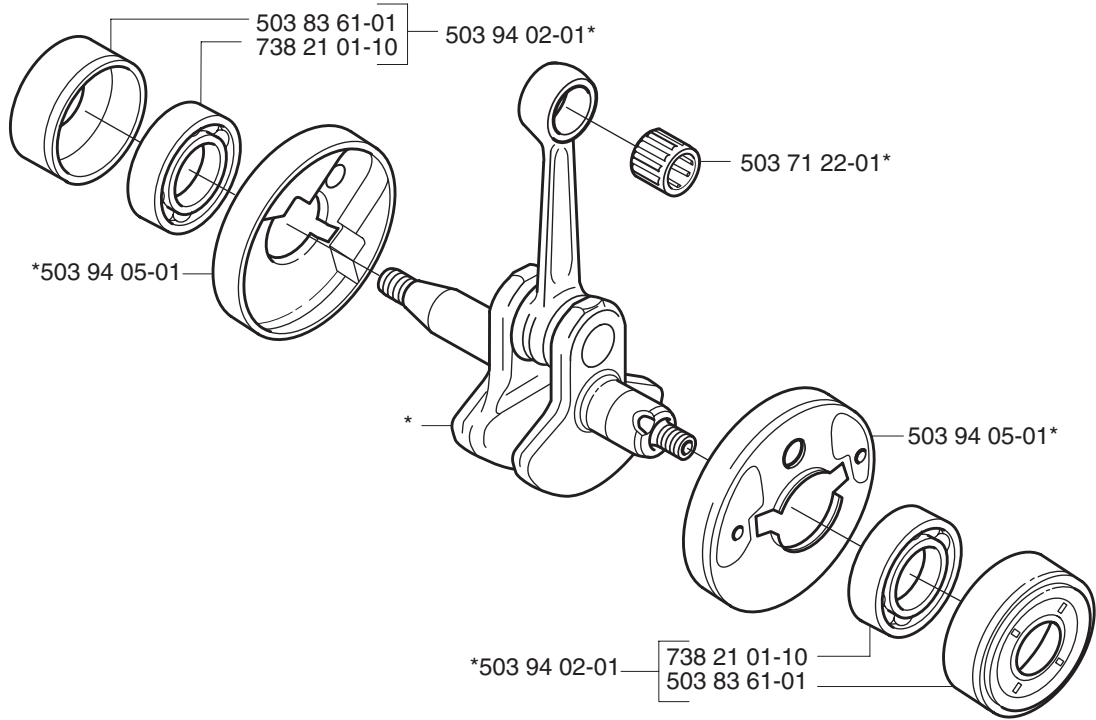
H * compl 537 04 23-01



J****compl 537 08 51-01****K******compl 537 04 12-03*****compl 537 08 52-01**

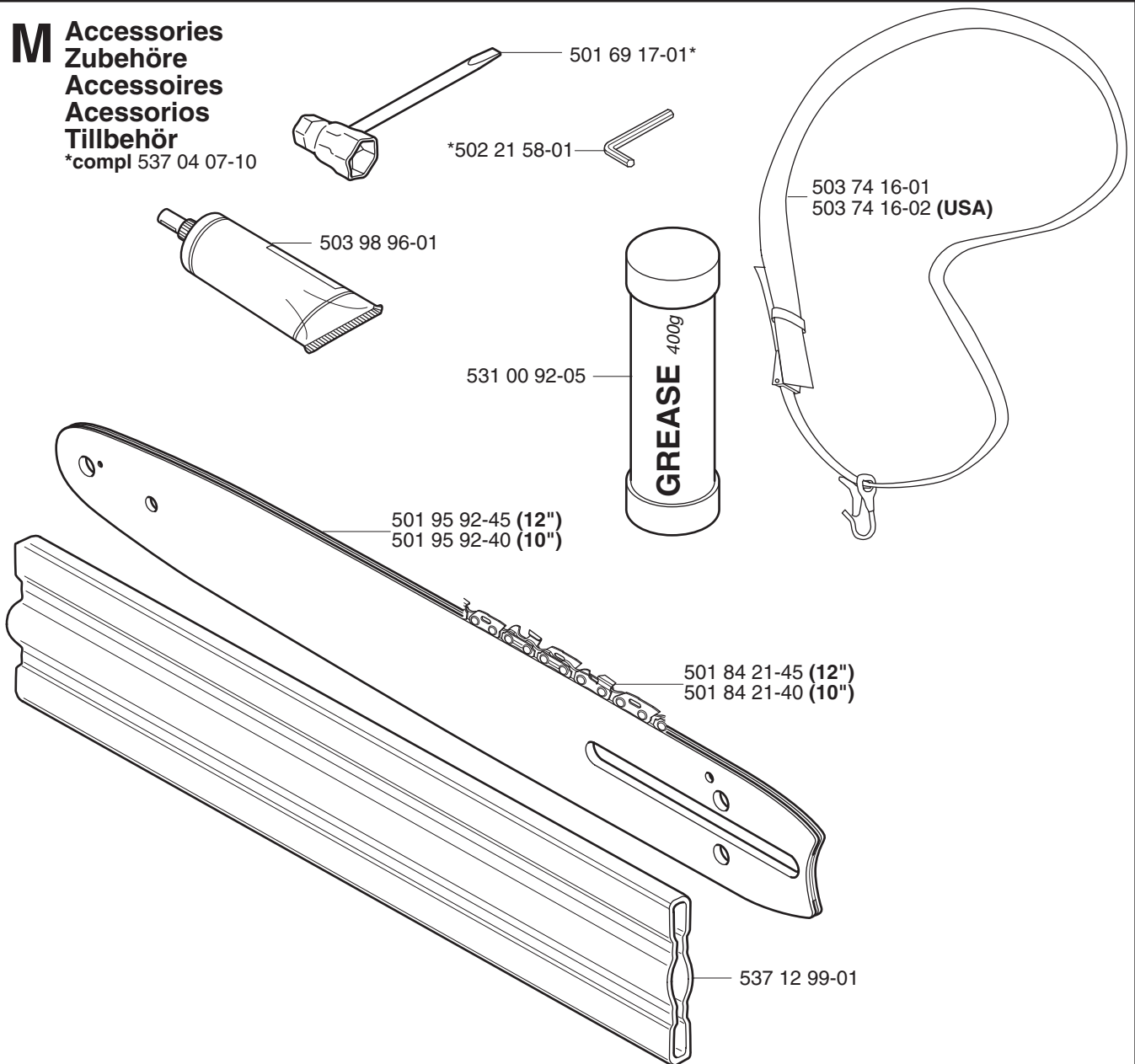
L

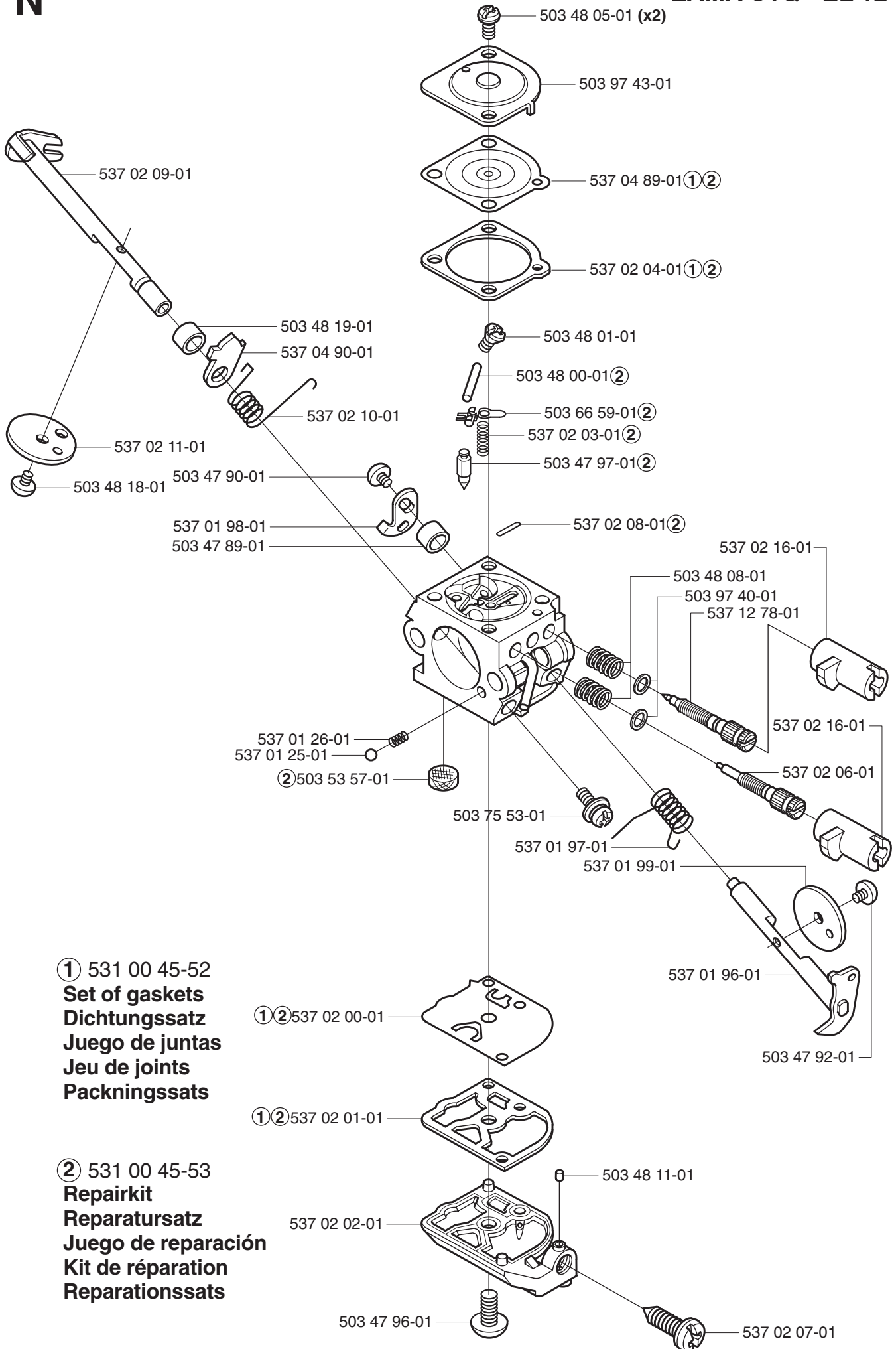
*compl 503 85 24-74



M Accessories
Zubehöre
Accessoires
Acessorios
Tillbehör

*compl 537 04 07-10





326P4x-SERIES, 326P5x-SERIES, Saw attachment

PART NUMBER	SQUARE NOTE	PART NUMBER	SQUARE NOTE	PART NUMBER	SQUARE NOTE	PART NUMBER	SQUARE NOTE
501 36 49-97	A	503 87 33-02	F	537 06 66-01	D	537 18 49-01	G
501 36 49-98	A	503 87 35-02	F	537 06 68-01	K	537 19 84-01	B
501 48 54-02	H	503 87 36-01	F	537 06 69-01	K	537 24 51-01	B N
501 69 17-01	M	503 87 79-01	C	537 06 86-02	G	537 24 68-01	B N
501 78 33-01	B	503 87 80-01	C	537 07 07-01	J	537 24 69-01	B N
501 84 21-40	M	503 87 85-01	C	537 07 36-01	K	724 12 87-59	J
501 84 21-45	M	503 91 09-01	E	537 07 85-01	B	725 23 72-71	B N
501 95 92-40	M	503 91 10-01	G	537 07 87-01	B	725 23 79-51	B N
501 95 92-45	M	503 91 18-02	G	537 08 38-01	B	725 52 97-01	B N
502 20 38-01	B N	503 91 81-01	C	537 08 46-71	J	725 53 25-55	A
502 20 40-01	E	503 93 66-01	G	537 08 51-01	J	731 23 14-01	BD
502 20 65-03	E	503 94 02-01	L	537 08 52-01	K	731 71 16-51	FH
502 21 58-01	M	503 94 05-01	L	537 08 55-01	B	732 21 16-01	B N
503 20 02-35	J	503 94 10-01	B	537 08 85-01	K	732 25 12-01	B N
503 20 07-10	B N	503 94 26-01	E	537 08 88-01	A	734 11 45-71	A
503 20 07-16	B	503 96 13-01	C	537 09 17-01	H	734 11 52-01	B N
503 20 07-25	B N	503 96 14-01	C	537 09 19-01	A	735 31 08-20	F
503 20 14-25	E N	503 96 25-01	E	537 09 65-01	A	735 58 08-10	B
503 20 29-56	J	503 96 49-01	F	537 11 28-01	A	735 58 52-00	A N
503 21 66-20	CFK	503 97 40-01	N	537 11 29-01	A	737 44 08-00	J
503 21 68-20	DFK	503 97 43-01	N	537 11 30-01	A	738 21 01-10	L
503 21 68-25	K	503 98 54-01	B	537 11 31-01	A	740 42 06-00	C
503 21 71-16	DHK	503 98 96-01	M	537 11 78-01	A	740 68 11-21	E
503 21 75-16	F	503 99 55-01	C	537 11 79-01	A		
503 21 75-50	E	503 99 55-02	C	537 11 81-01	A		
503 21 77-16	EFK	503 99 56-01	C	537 11 82-01	A		
503 21 83-16	B	503 99 56-02	C	537 11 83-01	A		
503 22 65-04	E	531 00 45-52	N	537 11 84-01	A		
503 23 00-42	F	531 00 45-53	N	537 11 85-01	A		
503 23 00-68	A	531 00 92-05	M	537 11 87-01	A		
503 23 51-09	H	537 00 84-01	F	537 11 88-01	A		
503 26 32-02	A	537 01 13-01	C	537 11 91-01	A		
503 28 31-11	EN	537 01 25-01	N	537 11 92-01	A		
503 28 90-43	J	537 01 26-01	N	537 11 94-01	A		
503 44 32-01	G	537 01 41-01	J	537 11 95-01	A		
503 47 89-01	N	537 01 96-01	N	537 11 96-01	A		
503 47 90-01	N	537 01 97-01	N	537 11 97-01	A		
503 47 92-01	N	537 01 98-01	N	537 11 98-01	A		
503 47 96-01	N	537 01 99-01	N	537 12 01-01	A		
503 47 97-01	N	537 02 00-01	N	537 12 03-01	A		
503 48 00-01	N	537 02 01-01	N	537 12 04-01	A		
503 48 01-01	N	537 02 02-01	N	537 12 06-01	A		
503 48 05-01	N	537 02 03-01	N	537 12 07-01	A		
503 48 08-01	N	537 02 04-01	N	537 12 08-01	A		
503 48 11-01	N	537 02 06-01	N	537 12 09-01	A		
503 48 18-01	N	537 02 07-01	N	537 12 12-01	A		
503 48 19-01	N	537 02 08-01	N	537 12 13-01	A		
503 49 71-01	E	537 02 09-01	N	537 12 15-01	A		
503 53 57-01	N	537 02 10-01	N	537 12 16-01	A		
503 57 76-01	G	537 02 11-01	N	537 12 17-01	A		
503 66 59-01	N	537 02 16-01	N	537 12 18-01	A		
503 70 80-04	B N	537 03 22-01	H	537 12 46-01	A		
503 71 22-01	JL	537 03 23-01	K	537 12 52-01	A		
503 71 54 01	B N	537 03 24-01	K	537 12 78-01	N		
503 71 82-01	C	537 03 41-01	F	537 12 99-01	M		
503 73 58-01	G	537 04 07-10	M	537 13 65-01	A		
503 74 16-01	M	537 04 12-03	K	537 13 66-01	A		
503 74 16-02	M	537 04 23-01	H	537 13 92-01	A		
503 75 53-01	N	537 04 24-01	G	537 14 29-01	A		
503 78 52-01	B	537 04 67-01	H	537 14 30-01	A		
503 81 60-01	H	537 04 68-01	H	537 14 31-01	E		
503 83 61-01	L	537 04 89-01	N	537 14 67-01	A		
503 84 28-01	H	537 04 90-01	N	537 15 49-01	A		
503 84 29-01	H	537 05 25-01	C	537 17 22-17	F		
503 85 24-74	L	537 05 36-71	J	537 17 22-18	F N		
503 85 28-01	F	537 05 78-01	E	537 17 22-19	F N		
503 85 87-01	F	537 06 44-03	H	537 17 48-01	B		
503 85 89-01	F	537 06 61-01	D	537 17 50-01	B N		
503 87 26-01	BK	537 06 63-01	E	537 18 09-01	B		
503 87 28-01	H	537 06 65-01	D	537 18 10-01	B N		

Set of gaskets, Dichtungssatz,
Jeu de joints, Juego de juntas,
Packingssatz

N = New part, Neues teil,
Nouvelle piece, Nueva pieza
Ny detalj