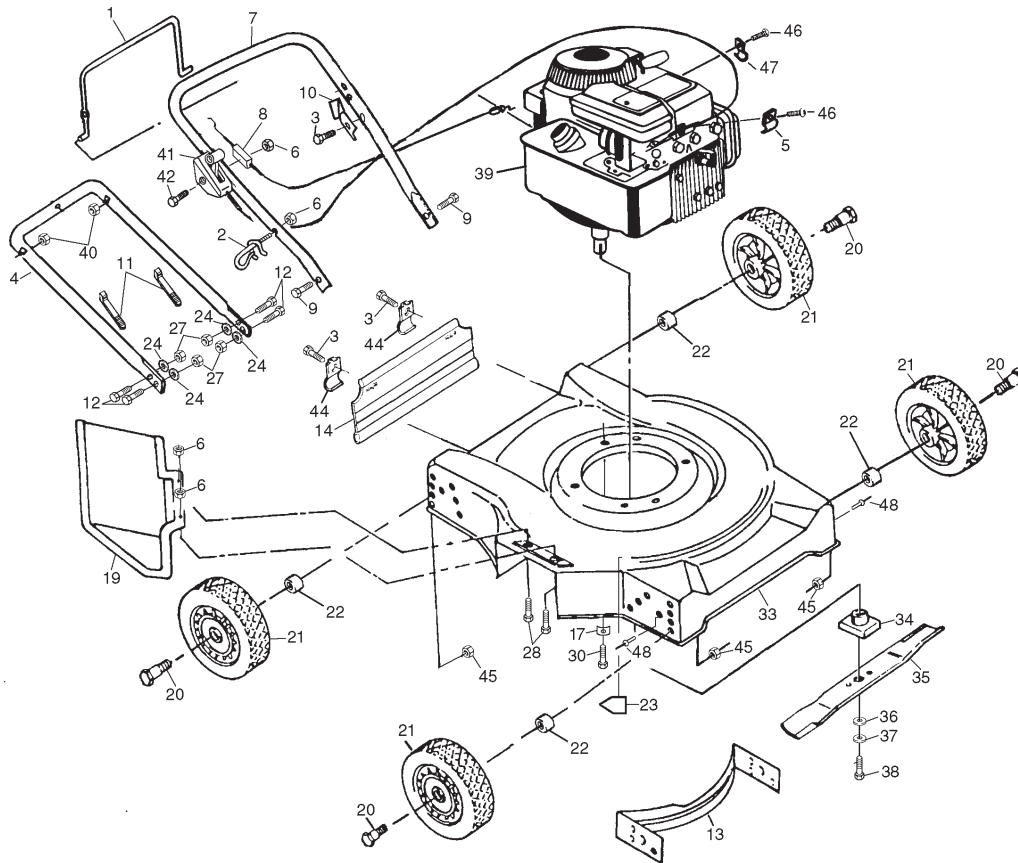


# Jet49

**Spare parts**  
**Ersatzteile**  
**Pièces détachées**  
**Reserve onderdelen**  
**Repuestos**  
**Reservdelar**

# LAWN MOWER - - MODEL NO. HUSKY JET (JET49L) PRODUCT NO. 954 16 31-01



# LAWN MOWER - - MODEL NO. HUSKY JET (JET49L) PRODUCT NO. 954 16 31-01

## KEY PART NO. NO.

KEY PART NO.	NO.	DESCRIPTION
1	532 08 69-02	Control Bar
2	<b>532 17 95-85</b>	Rope Guide
3	532 75 00-97	Hex Washer Head Self-tapping Screw #10-24 x 1/2
4	532 17 35-42	Lower Handle
5	532 21 31-46	Cable Clamp, Engine (Order from Engine manufacturer)
6	532 06 36-01	Locknut 1/4-20
7	532 17 35-41	Upper Handle
8	532 70 08-92	Engine Zone Control Cable
9	874 35 04-24	Hex Head Bolt 1/4-20 x 1-1/2
10	532 12 51-62	Up-Stop Bracket
11	532 06 64-26	Wire Tie
12	532 13 70-09	Hex Head Bolt 3/8-16 x 1
13	<b>532 13 83-48</b>	Front Baffle
14	532 14 05-41	Rear Skirt
17	532 12 50-78	Engine Washer
19	532 75 20-52	Discharge Guard
20	532 06 76-09	Shoulder Bolt
21	532 80 00-60	Wheel Assembly 7.00 x 1.50
22	532 13 66-24	Spacer Washer
23	532 14 54-94	Danger Decal
24	532 05 56-11	Washer
27	532 13 20-10	Flange Locknut 3/8-16
28	874 76 04-12	Hex Head Bolt 1/4-20 x 3/4
30	532 15 04-06	Hex Head Thread Rolling Screw 3/8-16 x 1

## KEY PART NO. NO.

KEY PART NO.	NO.	DESCRIPTION
33	<b>532 18 14-16</b>	Housing Kit
34	532 85 09-77	Blade Adapter
35	532 85 09-72	Blade 20"
36	532 85 10-74	Washer (Hardened)
37	532 85 02-63	Helical Lock Washer
38	532 85 10-84	Hex Head Machine Screw 3/8-24 x 1-3/8 Gr. 8
39	---	Engine, Briggs & Stratton, Model Number 9D902 (Order parts from engine manufacturer)
40	532 13 20-04	Hex Nut 1/4-20
41	532 85 14-62	Throttle Cable STD
42	532 15 87-55	Hex Washer Hd Screw 1/4-20 x 2.0
44	532 12 52-07	Skirt Bracket
45	532 75 15-92	Locknut 5/8-16
46	532 08 38-16	Screw, #10 x 5/8
47	532 08 79-30	Cable Clip, Throttle
49	532 16 22-34	Deflector Bracket
--	532 14 15-20	Rear Baffle (Not Shown)
--	<b>532 16 10-58</b>	Decal, Warning (Not Shown)
--	<b>532 17 27-77</b>	Operator's Manual (English)
--	<b>532 17 27-79</b>	Operator's Manual (Spanish)
--	<b>532 18 14-08</b>	Repair Parts Manual

**NOTE:** All component dimensions given in U.S. inches.  
1 inch = 25.4 mm