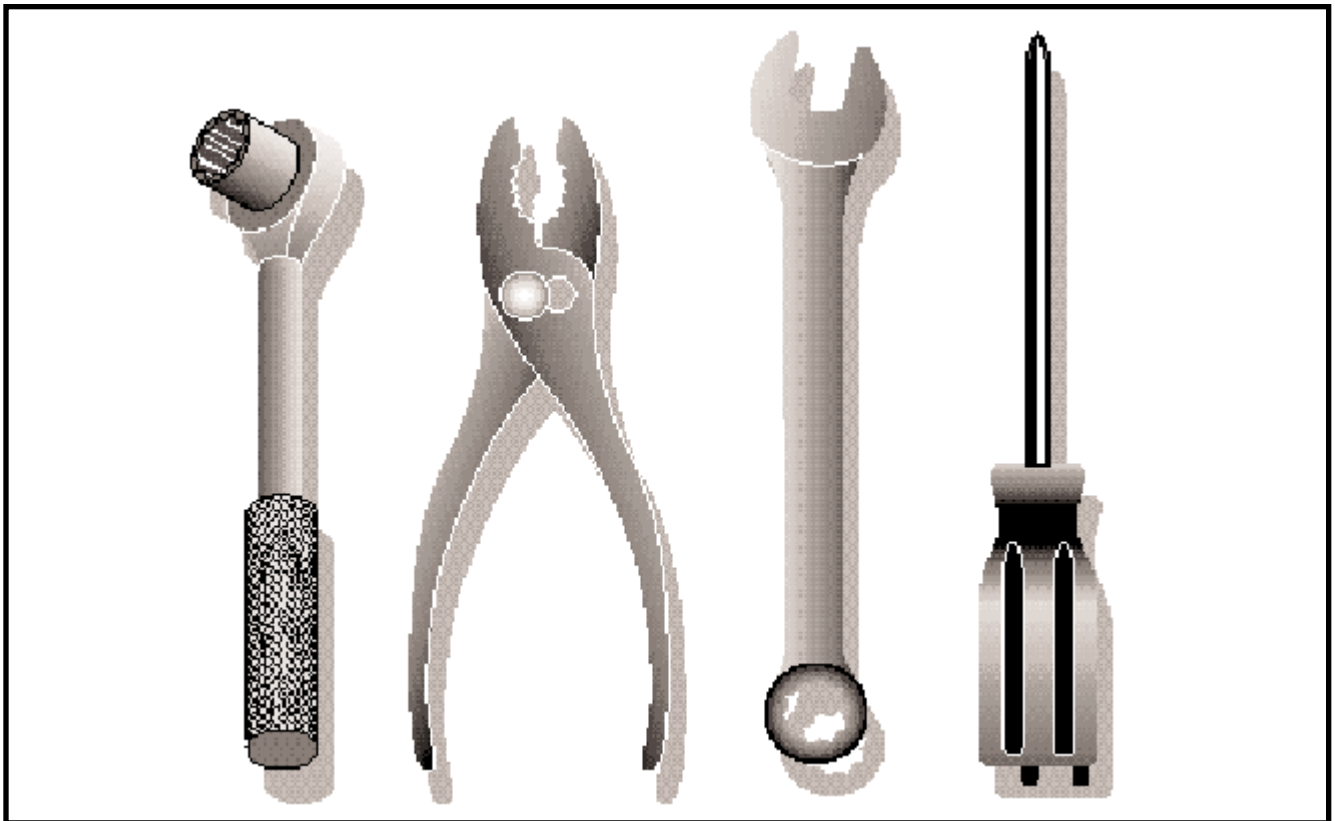


YTH 1848 XP E

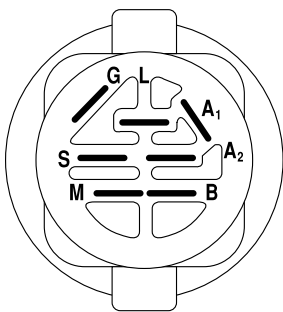
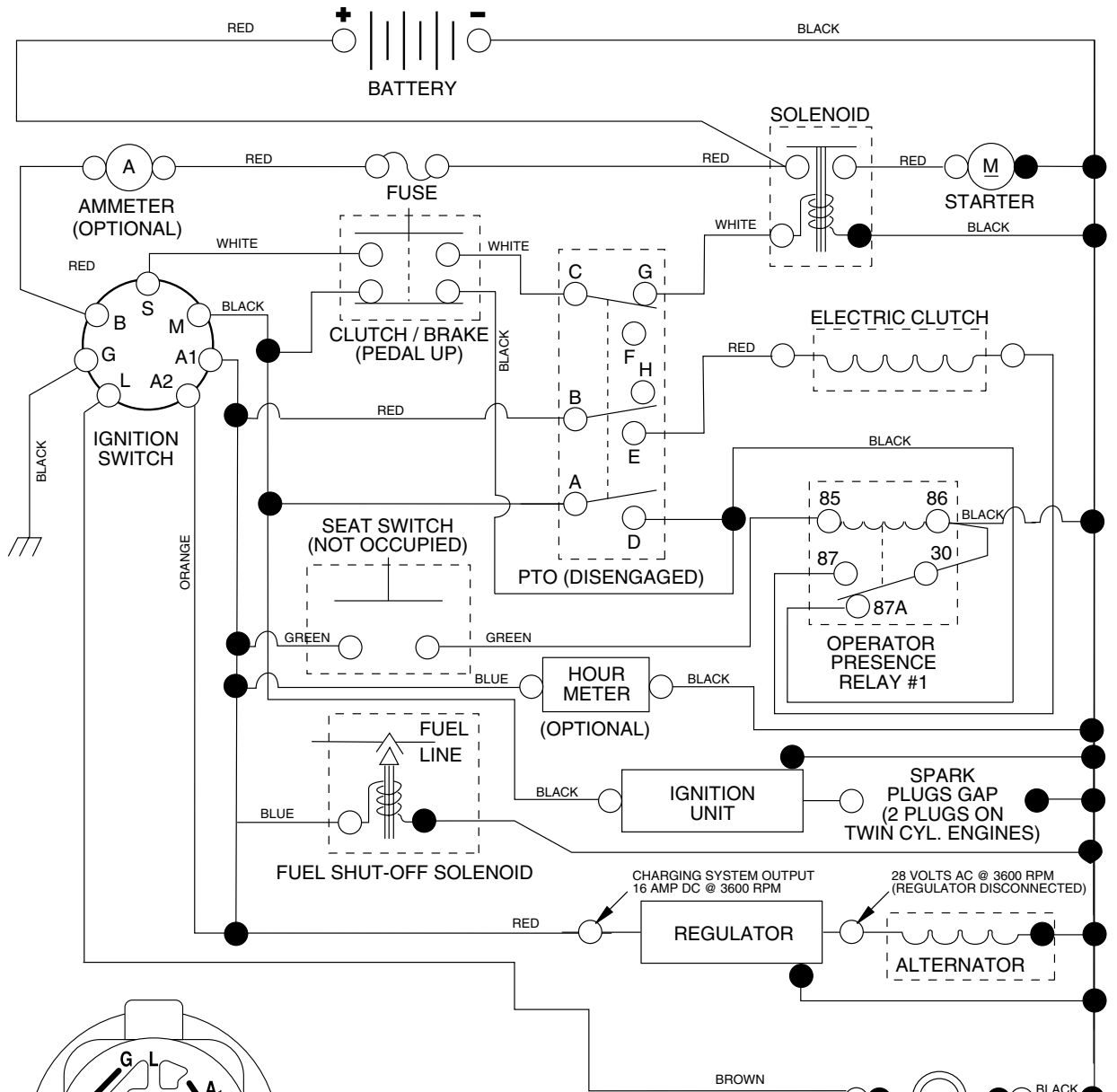
954567260



Repair Parts Manual

Ride Mower

TRACTOR - MODEL NO. YTH1848XP (YTH1848XPE), PRODUCT NO. 954 56 72-60 SCHEMATIC



IGNITION SWITCH

| POSITION | CIRCUIT | "MAKE" |
|-----------|------------|--------|
| OFF | M+G+A1 | NONE |
| RUN/LIGHT | B+A1 | A2+L |
| RUN | B+A1 | NONE |
| START | B + S + A1 | NONE |

WIRING INSULATED CLIPS

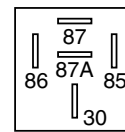
NOTE: IF WIRING INSULATED CLIPS WERE REMOVED FOR SERVICING OF UNIT, THEY SHOULD BE REPLACED TO PROPERLY SECURE YOUR WIRING.

PTO SWITCH

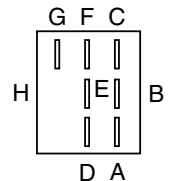
| POSITION | CIRCUIT |
|----------|---------------------|
| OFF | C + G, B + H |
| ON | C + F, B + E, A + D |

● NON-REMOVABLE CONNECTIONS

○ REMOVABLE CONNECTIONS

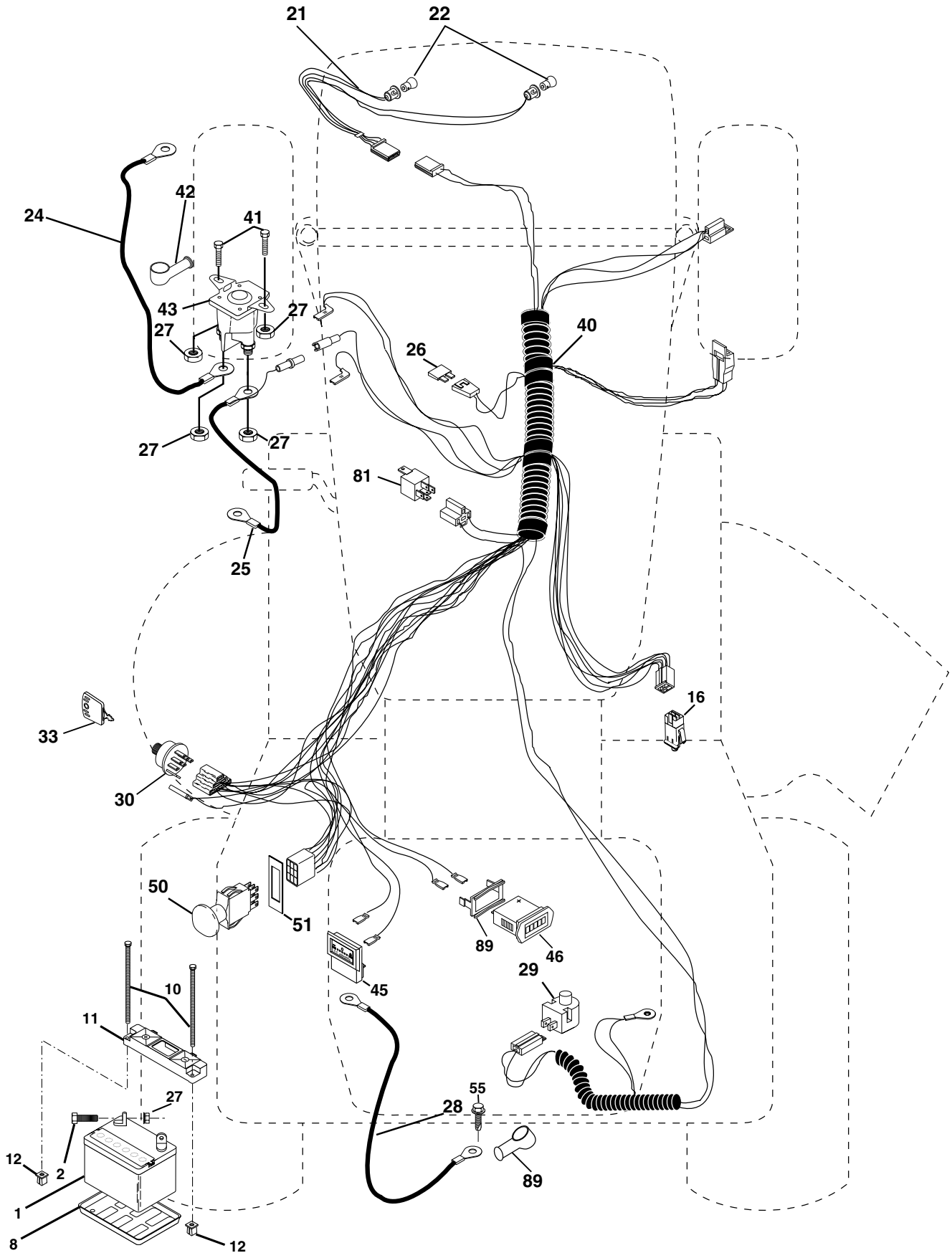


RELAY



REPAIR PARTS

TRACTOR - MODEL NO. YTH1848XP (YTH1848XPE), PRODUCT NO. 954 56 72-60
ELECTRICAL



REPAIR PARTS

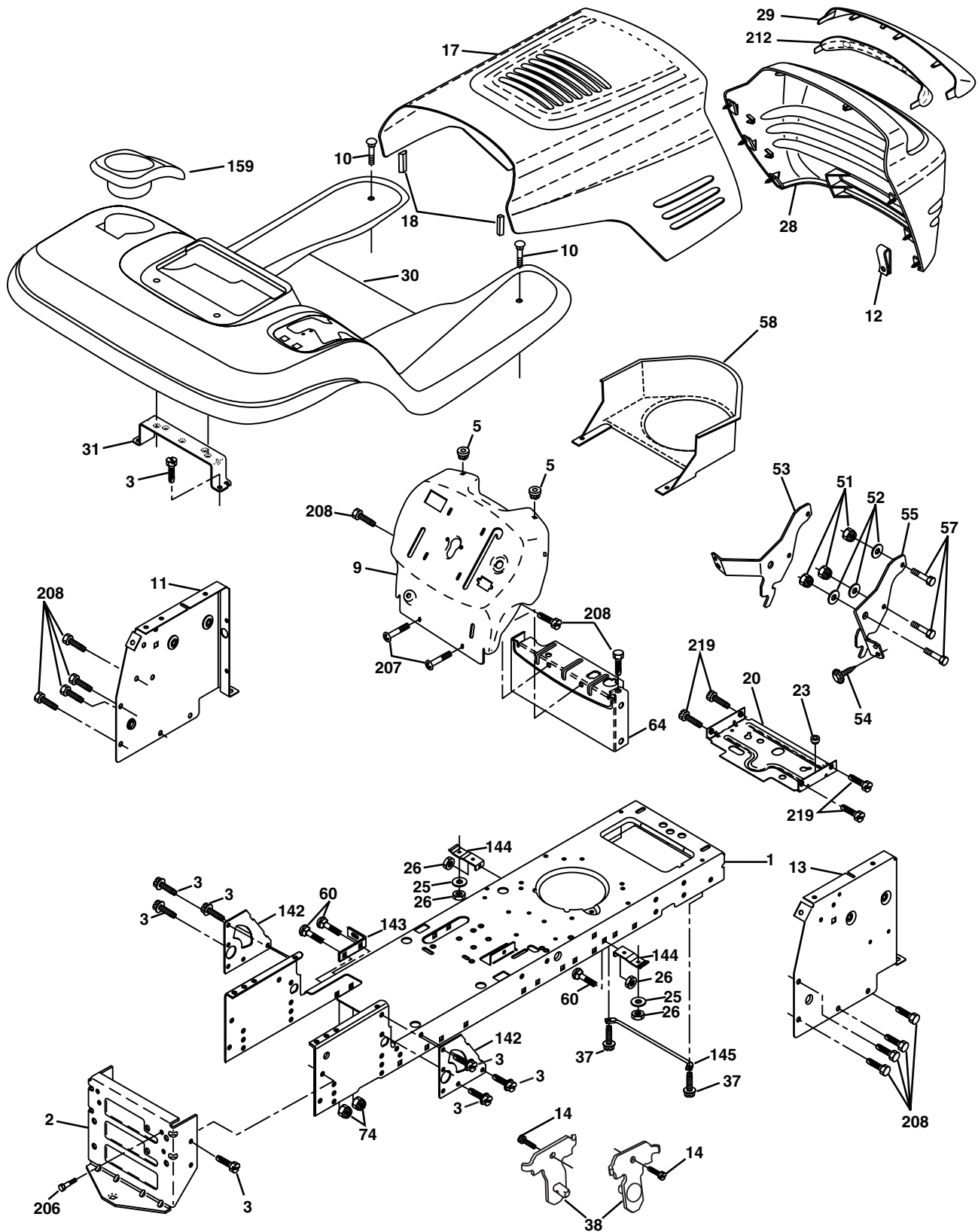
TRACTOR - MODEL NO. YTH1848XP (YTH1848XPE), PRODUCT NO. 954 56 72-60
ELECTRICAL

| KEY NO. | PART NO. | DESCRIPTION |
|---------|--------------|--------------------------------------|
| 1 | 532 14 49-27 | Battery 12 Volt 35 AMP |
| 2 | 874 76 04-12 | Bolt Hex Hd 1/4-20unc X 3/4 |
| 8 | 532 12 48-86 | Tray Battery |
| 10 | 532 14 52-11 | Bolt Brt Frt 1/4-20 x 75 Ainc |
| 11 | 532 15 01-09 | Holddown Battery Front Mount |
| 12 | 532 14 57-69 | Nut Push Nylon 1/4" Battery Frt |
| 16 | 532 17 61-38 | Switch Interlock |
| 21 | 532 17 56-85 | Harness Asm Light W/4152j |
| 22 | 532 00 41-52 | Bulb Light #1156 |
| 24 | 532 12 47-80 | Cable Battery 6 Ga 11" red |
| 25 | 532 14 61-48 | Cable Battery 6 Ga 22" red w/16 wire |
| 26 | 532 17 51-58 | Fuse |
| 27 | 873 51 04-00 | Nut Keps Hex 1/4-20 Unc |
| 28 | 532 14 54-91 | Cable Ground 6 Ga 21" black |
| 29 | 532 16 07-84 | Switch Plunger Nc Gray |
| 30 | 532 17 55-66 | Switch Ign |
| 33 | 532 14 04-01 | Key Ign Molded Generic |
| 40 | 532 17 97-24 | Harness Ign. |
| 41 | 871 11 04-08 | Bolt Blk Fin Hex 1/4 - 20 x 1/2 |
| 42 | 532 13 15-63 | Cover Terminal Red |
| 43 | 532 17 88-61 | Solenoid |
| 45 | 532 12 28-22 | Ammeter Rectangular 15 Amp |
| 46 | 532 16 96-35 | Meter Hour |
| 50 | 532 17 46-51 | Switch PTO |
| 51 | 532 14 04-05 | Ring Retainer |
| 55 | 817 49 05-08 | Screw Thdrol 5/16-18 x 1-1/2 Tyt |
| 81 | 532 10 97-48 | Relay Asm. |
| 89 | 532 16 96-39 | Bracket Snap-In Hourmeter |

NOTE: All component dimensions given in U.S. inches.
1 inch = 25.4 mm.

REPAIR PARTS

TRACTOR - MODEL NO. YTH1848XP (YTH1848XPE), PRODUCT NO. 954 56 72-60
CHASSIS AND ENCLOSURES



REPAIR PARTS

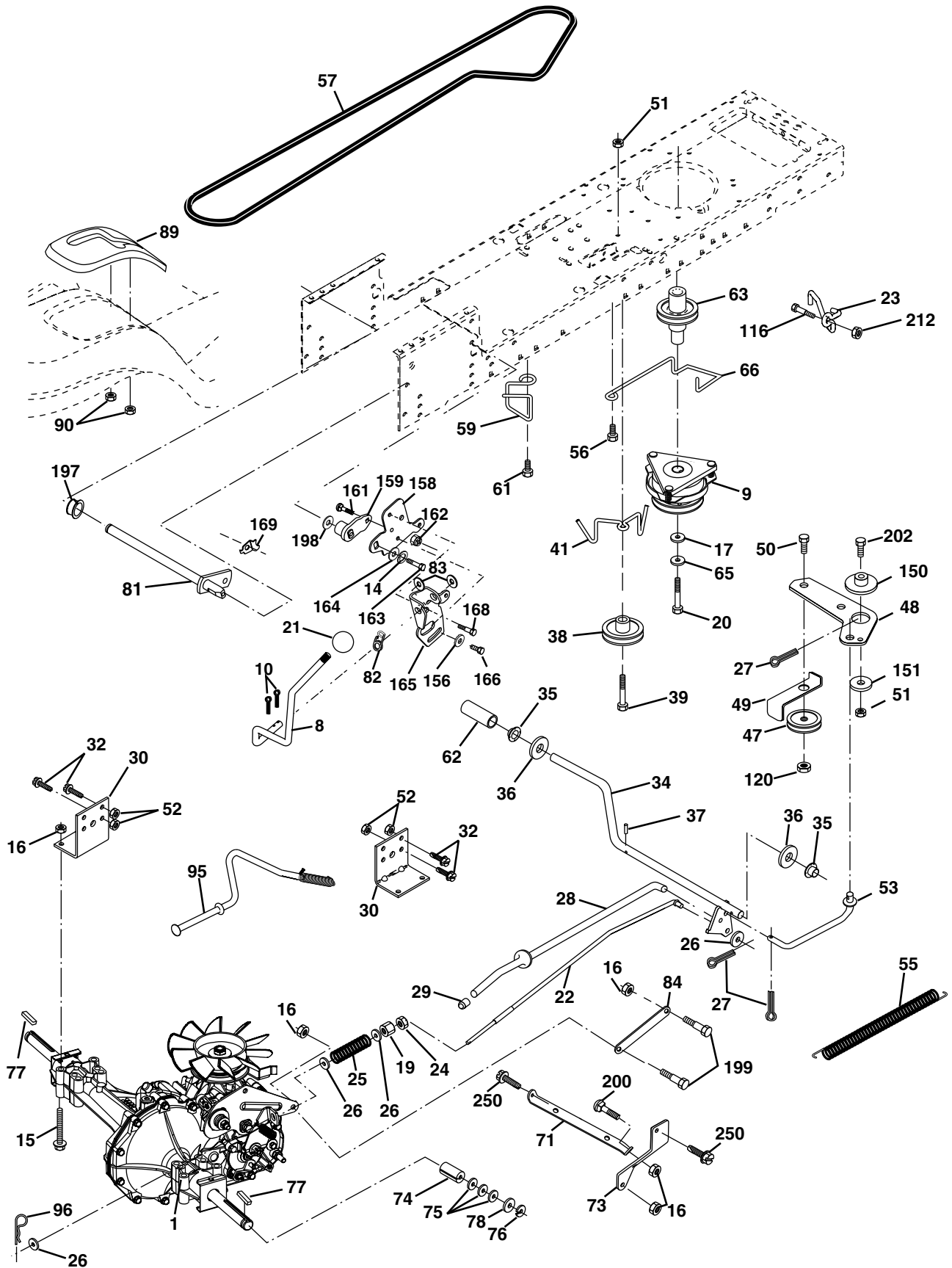
TRACTOR - MODEL NO. YTH1848XP (YTH1848XPE), PRODUCT NO. 954 56 72-60 CHASSIS AND ENCLOSURES

| KEY NO. | PART NO. | DESCRIPTION |
|---------|--------------|---------------------------------|
| 1 | 532 17 46-19 | Chassis Stamping |
| 2 | 532 17 65-54 | Drawbar |
| 3 | 817 06 06-12 | Screw 3/8-16x3/4 |
| 5 | 532 15 52-72 | Bumper |
| 9 | 532 17 16-82 | Dashboard |
| 10 | 872 14 06-08 | Bolt Rdhd Sqnk 3/8-16 Unc x 1 |
| 11 | 532 17 49-96 | Panel Dash Lh |
| 12 | 532 14 56-60 | Clip Tinnerman Grille |
| 13 | 532 17 21-06 | Panel Dash Rh |
| 14 | 817 49 06-08 | Screw Thdrol 3/8-16 x 1/2 |
| 17 | 532 16 22-37 | Hood |
| 18 | 532 12 69-38 | Bumper |
| 20 | 532 18 06-79 | Plate Mtg Battery/Fuel Tank |
| 23 | 532 12 40-28 | Bushing |
| 25 | 819 13 13-12 | Washer 13/32 x 13/16 x 12 Ga. |
| 26 | 873 80 06-00 | Nut Lock w/Insert 3/8-16 UNC |
| 28 | 532 17 98-45 | Grille Lens Asm |
| 29 | 532 17 66-45 | Lens |
| 30 | 532 18 10-01 | Fender |
| 31 | 532 13 99-76 | Bracket |
| 37 | 817 49 05-08 | Screw Thdrol 5/16-18 x 1/2 |
| 38 | 532 17 57-10 | Bracket Asm Pivot Mower Rear |
| 51 | 873 80 04-00 | Nut Lock w/Insert 1/4-20 |
| 52 | 819 09 14-16 | Washer 9/32 x 7/8 x 16 Ga. |
| 53 | 532 14 46-97 | Bracket Grille Lh |
| 54 | 532 16 14-64 | Screw Hex Wshd 8-18 x 7/8 |
| 55 | 532 14 46-96 | Bracket Grille Rh |
| 57 | 874 78 04-12 | Bolt Fin Hex 1/4-20 Unc x 3/4 |
| 58 | 532 17 49-30 | Duct Air |
| 60 | 872 14 06-06 | Bolt RDHD SQNK 3/8-16 x 3/4 |
| 64 | 532 15 47-98 | Dash Lower Stlt |
| 74 | 873 68 06-00 | Nut Crownlock 3/8-16 |
| 142 | 532 17 57-02 | Plate Reinforcement |
| 143 | 532 15 49-66 | Bracket Swaybar Chassis |
| 144 | 532 17 55-82 | Bracket Ft Rest |
| 145 | 532 15 65-24 | Rod Pivot Chassis Hood |
| 159 | 532 16 65-08 | Cupholder YTGT Grey |
| 206 | 532 17 01-65 | Bolt Shoulder 5/16-18 TT |
| 207 | 817 67 05-08 | Screw Thdrol 5/16-18 x 1/2 TYTT |
| 208 | 817 67 06-08 | Screw Thdrol 3/8-16 x 1/2 Ty-TT |
| 212 | 532 15 62-29 | Insert Lens Reflect |

NOTE: All component dimensions given in U. S. inches.
1 inch = 25.4 mm

REPAIR PARTS

TRACTOR - MODEL NO. YTH1848XP (YTH1848XPE), PRODUCT NO. 954 56 72-60
DRIVE



REPAIR PARTS

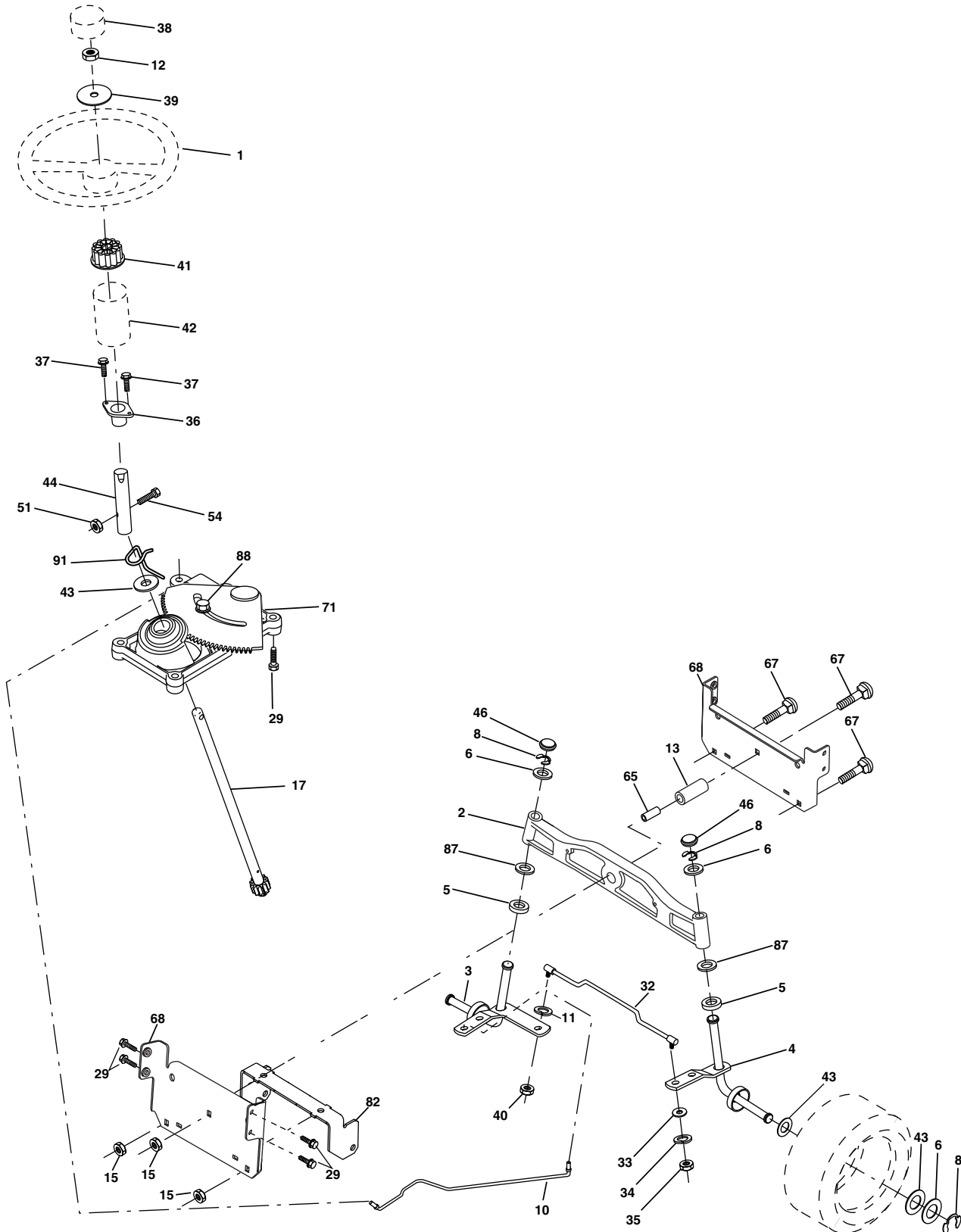
TRACTOR - MODEL NO. YTH1848XP (YTH1848XPE), PRODUCT NO. 954 56 72-60 DRIVE

| KEY NO. | PART NO. | DESCRIPTION | KEY NO. | PART NO. | DESCRIPTION |
|---------|--------------|---|---------|--------------|----------------------------------|
| 1 | ----- | Transaxle, Hydro 314-0510 (Order Parts From Transaxle Manufacturer) | 65 | 810 04 07-00 | Washer Lock Hvy HLCL Spr 7/16 |
| 8 | 532 16 58-66 | Rod Shift Fender Adjust STLT | 66 | 532 15 47-78 | Keeper Belt Engine |
| 9 | 532 17 43-67 | Clutch Electric | 71 | 532 16 91-83 | Strap Torque Lh Hydro |
| 10 | 876 02 04-16 | Pin Cotter 1/8 x 1 CAD | 73 | 532 16 91-82 | Strap Torque Rh Hydro |
| 14 | 810 04 04-00 | Washer Lock Hvy Helical | 74 | 532 13 70-57 | Spacer, Axle |
| 15 | 874 49 05-44 | Bolt Hex 5/16-18 Unc Flghd | 75 | 532 12 17-49 | Washer 25/32 x 1-1/4 x 16 Ga. |
| 16 | 873 80 05-00 | Nut Lock Hex W/Ins. 5/16-18 Unc P | 76 | 812 00 00-01 | E-Ring |
| 17 | 532 12 61-97 | Washer | 77 | 532 12 35-83 | Key, Square |
| 19 | 873 80 06-00 | Nut Lock Hex W/Ins 3/8-16 Unc | 78 | 532 12 17-48 | Washer 25/32 x 1-5/8 x 16 Ga |
| 20 | 532 17 39-37 | Bolt, Hex 7/16-20 x 4-1/4 Ga. 5 | 81 | 532 16 55-96 | Shaft Asm Cross Tapered |
| 21 | 532 14 08-45 | Knob Deluxe 1/2-13 UNC BLK/BLK | 82 | 532 16 57-11 | Spring Torsion T/A |
| 22 | 532 16 94-98 | Rod, Brake Hydro | 83 | 819 17 12-16 | Washer 17/32 x 3/4 x 16 Ga. |
| 23 | 532 17 82-89 | Bracket Asm Mtg CL | 84 | 532 16 95-94 | Link Transaxle |
| 24 | 873 35 06-00 | Nut Hex Jam 3/8-16 UNC | 89 | 532 16 65-10 | Console, Shift |
| 25 | 532 10 68-88 | Spring, Brake Rod | 90 | 532 12 43-46 | Nut Self Thd 1/4 |
| 26 | 819 13 13-16 | Washer | 95 | 532 17 02-01 | Control Asm. Bypass Hydro |
| 27 | 876 02 04-12 | Pin Cotter 1/8 x 3/4 CAD. | 96 | 532 12 47-88 | Retainer Spring 1" Zinc/Cad |
| 28 | 532 17 57-65 | Rod, Parking Brake | 116 | 872 14 06-08 | Bolt Rdhd Sqnk 3/8-16 Unc x 1 |
| 29 | 532 07 16-73 | Cap, Parking Brake | 120 | 873 90 06-00 | Nut Lock Flg 3/8-16 |
| 30 | 532 16 95-92 | Bracket, Transaxle | 150 | 532 17 54-56 | Spacer Retainer |
| 32 | 874 76 05-12 | Bolt Hex Hd 5/16-18 Unc x 3/4 | 151 | 819 13 32-10 | Washer 13/32 x 2 x 10 Ga. |
| 34 | 532 17 55-78 | Shaft, Foot Pedal | 156 | 532 16 60-02 | Washer Srrted 5/16ID x 1.125 |
| 35 | 532 12 01-83 | Bearing, Nylon | 158 | 532 16 55-89 | Bracket Shift Mount |
| 36 | 819 21 16-16 | Washer | 159 | 532 16 54-94 | Hub Tapered Flange Shift Lt |
| 37 | 532 12 49-63 | Pin, Roll | 161 | 872 14 04-06 | Bolt Rdhd Sqnk 1/4-20 x 3/4 Gr 5 |
| 38 | 532 17 91-14 | Pulley, Composite | 162 | 873 68 04-00 | Nut Crownlock 1/4-20 Unc |
| 39 | 874 76 06-48 | Bolt, Fin, Hex 3/8-16 x 3 | 163 | 874 78 04-16 | Bolt Hex Fin 1/4-20 Unc x 1 Gr 5 |
| 41 | 532 17 55-56 | Keeper, Belt Idler | 164 | 819 09 10-10 | Washer 5/8 x .281 x 10 Ga |
| 47 | 532 12 77-83 | Pulley, Idler, V-Groove Plastic | 165 | 532 16 56-23 | Bracket Pivot Lever |
| 48 | 532 15 44-07 | Bellcrank Clutch Grnd Drv STL | 166 | 532 16 68-80 | Screw 5/16-18 x 5/8 |
| 49 | 532 12 32-05 | Retainer, Belt Style Spring | 168 | 532 16 54-92 | Bolt Shoulder 5/16-18 x .561 |
| 50 | 874 76 06-24 | Bolt Hex Hd 3/8-16 Unc x 1-1/2 | 169 | 532 16 55-80 | Plate Fastening STLT/CRD |
| 51 | 873 68 06-00 | Nut | 197 | 532 16 96-13 | Nyliner Snap 5/8" ID |
| 52 | 873 68 05-00 | Nut Crownlock 5/16-18 | 198 | 532 16 95-93 | Washer Nyl 7/8 ID x .105 Hyd |
| 53 | 532 10 57-10 | Link, Clutch | 199 | 532 16 96-12 | Bolt Shoulder 5/16-18 Unc |
| 55 | 532 10 57-09 | Spring, Return, Clutch | 200 | 872 14 05-08 | Bolt Rdhd Sqnk 5/16-18 Unc x 1 |
| 56 | 817 06 06-20 | Screw 3/8-16 x 1-1/4 | 202 | 872 11 06-12 | Bolt |
| 57 | 532 14 02-94 | V-Belt, Ground Drive | 212 | 532 14 52-12 | Nut Hex Flange Lock |
| 59 | 532 16 96-91 | Keeper, Center Span | 250 | 817 06 06-12 | Screw 3/8-16 x .75 |
| 61 | 817 12 06-14 | Screw 3/8-16 x .875 | | | |
| 62 | 532 12 48-72 | Cover, Pedal | | | |
| 63 | 532 17 54-17 | Pulley, Engine | | | |

NOTE: All component dimensions given in U.S. inches
1 inch = 25.4 mm

REPAIR PARTS

TRACTOR - MODEL NO. YTH1848XP (YTH1848XPE), PRODUCT NO. 954 56 72-60
STEERING ASSEMBLY



REPAIR PARTS

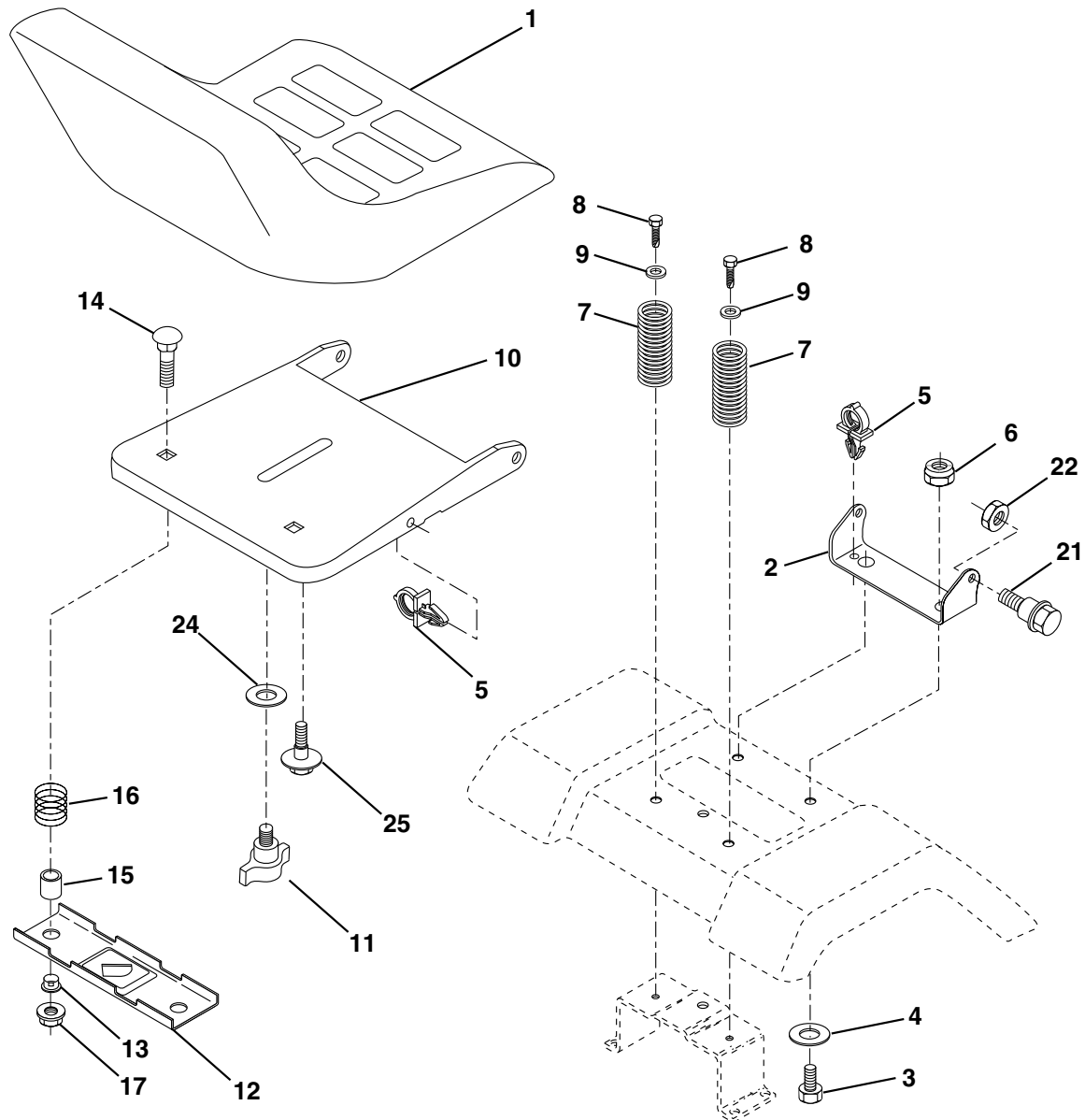
TRACTOR - MODEL NO. YTH1848XP (YTH1848XPE), PRODUCT NO. 954 56 72-60
STEERING ASSEMBLY

| KEY NO. | PART NO. | DESCRIPTION |
|---------|---------------------|----------------------------------|
| 1 | 532 16 66-27 | Wheel Steering |
| 2 | 532 17 23-93 | Axle Cast Lt Machined |
| 3 | 532 16 98-40 | Spindle Asm LH |
| 4 | 532 16 98-39 | Spindle Asm RH |
| 5 | 532 12 49-31 | Bearing Race Thrust Harden |
| 6 | 532 12 17-48 | Washer 25/32 X 1-5/8 X 16 Ga |
| 8 | 812 00 00-29 | Ring Klip #t5304-75 |
| 10 | 532 17 51-21 | Link Drag |
| 11 | 810 04 06-00 | Washer Lock Hvy Hlcl Spr 3/8 |
| 12 | 873 94 08-00 | Nut Hex Jam Toplock 1/2-20 Unf |
| 13 | 532 13 65-18 | Spacer Brg Axle Front |
| 15 | 532 14 52-12 | Nut Hex Flange Lock |
| 17 | 532 18 06-41 | Shaft Asm Strg |
| 29 | 817 06 06-12 | Screw 3/8-16x3/4 |
| 32 | 532 17 01-62 | Rod Tie Ball J |
| 33 | 819 11 12-16 | Washer 11/32 x 3/4 x 16 Ga. |
| 34 | 810 04 05-00 | Washer Lock Hvy Helical 5/16 |
| 35 | 873 54 05-00 | Nut Crown Lock 5/16-24Unf |
| 36 | 532 15 50-99 | Bushing Strg |
| 37 | 532 15 29-27 | Screw |
| 38 | 532 16 66-26 | Insert Cap Strg Wh |
| 39 | 819 18 24-11 | Washer 9/16 x 1-1/2 |
| 40 | 532 12 47-01 | Lock nut |
| 41 | 532 15 99-45 | Adaptor Wheel Strg |
| 42 | 532 16 96-34 | Boot Steering Shaft |
| 43 | 532 12 17-49 | Washer 25/32 X 1 1/4 X 16 Ga |
| 44 | 532 18 06-40 | Extension Steering Shaft LR/LT |
| 46 | 532 12 12-32 | Cap Spindle Fr Top Blk |
| 51 | 873 54 04-00 | Nut Crownlock 1/4-28 |
| 54 | 871 13 04-20 | Bolt Hex 1/4-28unf x 1-1/4 Gr. 8 |
| 65 | 532 16 03-67 | Spacer Brace Axle |
| 67 | 872 14 06-18 | Bolt Rdhd Sq 3/8-16 x 2-1/4 |
| 68 | 532 16 98-27 | Axle, Brace |
| 71 | 532 17 51-46 | Steering Asm |
| 82 | 532 16 98-35 | Bracket Susp Chassis Front |
| 87 | 532 17 39-66 | Washer Flat .781 x 1-1/2 x .14 |
| 88 | 532 17 51-18 | Bolt Shoulder 7/16-20 |
| 91 | 532 17 55-53 | Clip Steering |

NOTE: All component dimensions given in U.S. inches.
1 inch = 25.4 mm.

REPAIR PARTS

TRACTOR - MODEL NO. YTH1848XP (YTH1848XPE), PRODUCT NO. 954 56 72-60
SEAT ASSEMBLY



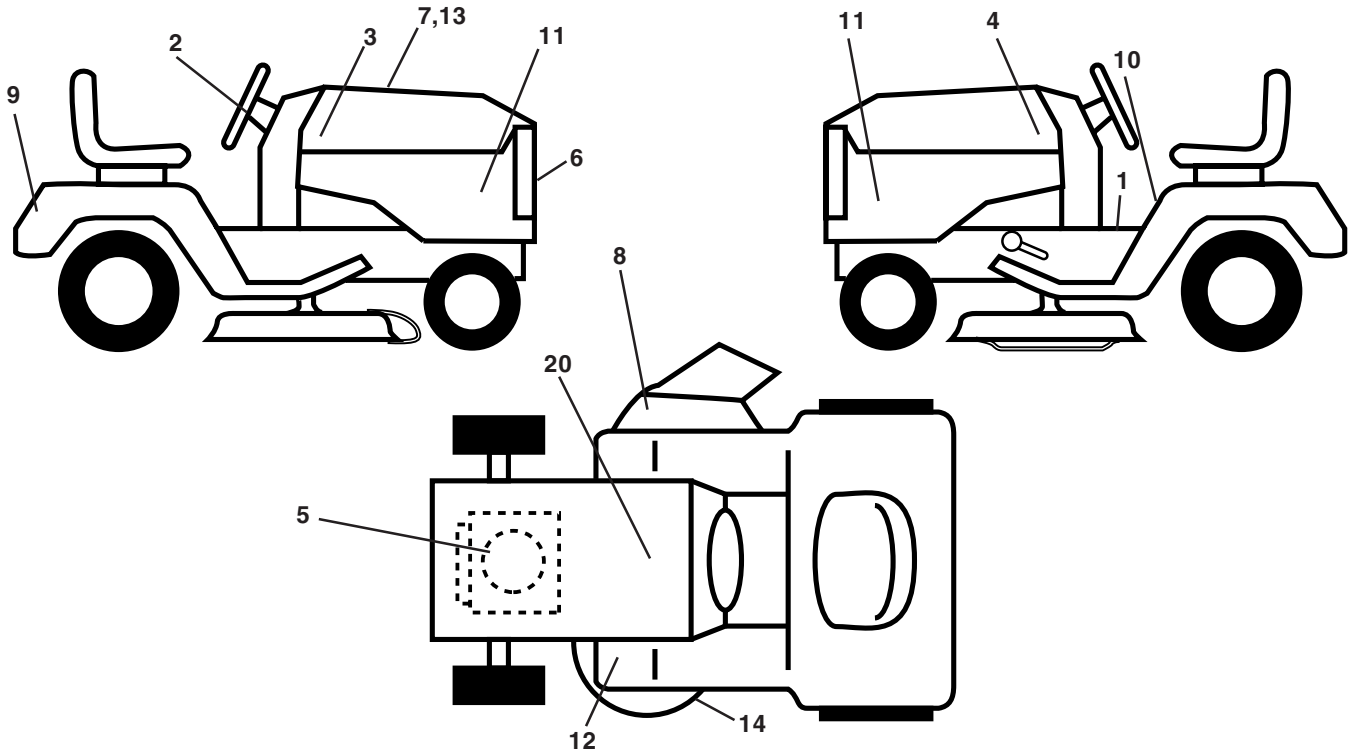
| KEY NO. | PART NO. | DESCRIPTION |
|---------|--------------|----------------------------------|
| 1 | 532 14 08-40 | Seat |
| 2 | 532 14 05-51 | Bracket Pivot Seat 8 720 |
| 3 | 871 11 06-16 | Bolt Fin Hex 3/8-16 x 1 |
| 4 | 819 13 16-10 | Washer Flat 13/32 x 1.0 x 10 Ga. |
| 5 | 532 14 50-06 | Clip Push-In |
| 6 | 873 80 06-00 | Nut Hex w/Ins. 3/8-16 Unc |
| 7 | 532 12 41-81 | Spring Seat Cprsn 2 250 Blk Zi |
| 8 | 817 00 06-16 | Screw 3/8-16 x 1 |
| 9 | 819 13 16-14 | Washer 13/32 x 1.0 x 14 Ga. |
| 10 | 532 17 48-94 | Pan Seat |
| 11 | 532 16 63-69 | Knob Seat Adj Wingnut |
| 12 | 532 12 12-46 | Bracket Mounting Switch |
| 13 | 532 12 12-48 | Bushing Snap Blk Nyl 50 Id |

| KEY NO. | PART NO. | DESCRIPTION |
|---------|--------------|---------------------------------|
| 14 | 872 05 04-12 | Bolt Rdhd Sqnk 1/4-20x1-1/2 |
| 15 | 532 12 12-49 | Spacer Split 28 x .88 Zinc |
| 16 | 532 12 37-40 | Spring Cprsn Plate |
| 17 | 532 12 39-76 | Nut Lock 1/4 Lge Flg Gr 5 Zinc |
| 21 | 532 17 18-52 | Bolt Shoulder 5/16-18 Unc |
| 22 | 873 80 05-00 | Nut Hex Lock W/Ins 5/16-18 |
| 24 | 819 17 19-12 | Washer 17/32 X 1 -3/16 X 12 Ga. |
| 25 | 532 12 70-18 | Bolt Shoulder 5/16-18 X 62 |

NOTE: All component dimensions given in U.S. inches.
1 inch = 25.4 mm

REPAIR PARTS

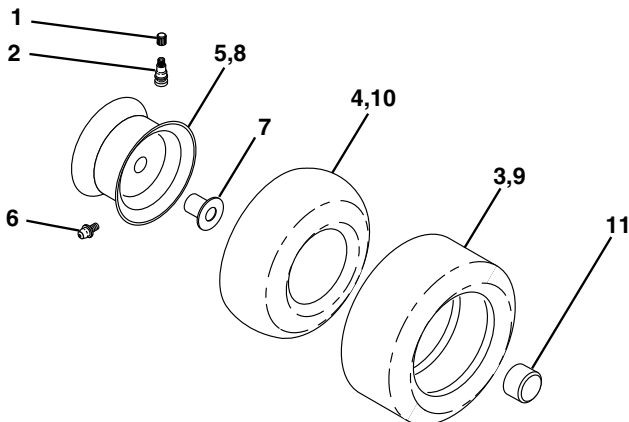
TRACTOR - MODEL NO. YTH1848XP (YTH1848XPE), PRODUCT NO. 954 56 72-60
DECALS



| KEY NO. | PART NO. | DESCRIPTION |
|---------|--------------|-------------------------|
| 1 | 532 15 70-32 | Decal Oper Inst Hyd E/F |
| 2 | 532 17 05-64 | Decal Strg Wheel Logo |
| 3 | 532 18 00-87 | Decal Hood RH |
| 4 | 532 18 00-88 | Decal Hood LH |
| 5 | 532 18 00-93 | Decal Engine |
| 6 | 532 15 06-16 | Decal Grille Husq |
| 7 | 532 18 10-68 | Decal Repl. Parts |
| 8 | 532 17 05-63 | Decal Warning |
| 9 | 532 17 68-22 | Decal Fender Husq |
| 10 | 532 15 71-40 | Decal Fender Danger E/F |
| 11 | 532 18 00-91 | Decal Hood Sides |

| KEY NO. | PART NO. | DESCRIPTION |
|---------|---------------------|--------------------------------|
| 12 | 532 17 85-02 | Decal Clutch/Brake |
| 13 | 532 18 09-41 | Decal Cust. Responsibilities |
| 14 | 532 17 52-91 | Decal V-Belt Schematic |
| 20 | 532 14 50-05 | Decal Bat Dan/Psn |
| -- | 532 16 92-10 | Decal By Pass Lt Hydro |
| -- | 532 17 12-84 | Pad Footrest LH |
| -- | 532 17 12-85 | Pad Footrest RH |
| -- | 532 13 83-11 | Decal Handle Lft Height Adjust |
| -- | 532 18 32-04 | Manual Owner's (English) |
| -- | 532 18 32-05 | Manual Owner's (French) |

WHEELS & TIRES

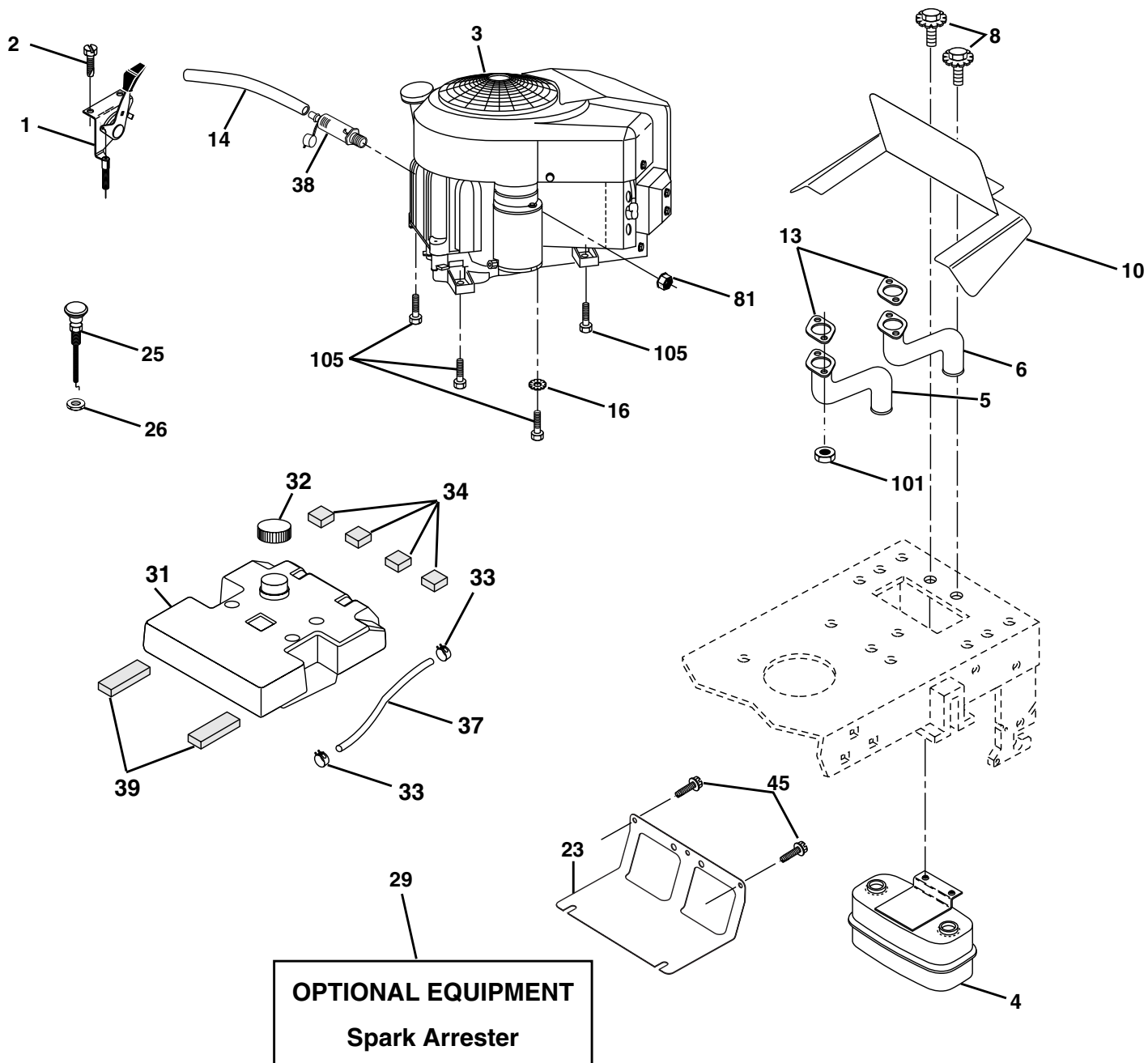


| KEY NO. | PART NO. | DESCRIPTION |
|---------|--------------|-----------------------------------|
| 1 | 532 05 91-92 | Cap Valve Tire |
| 2 | 532 06 51-39 | Stem Valve |
| 3 | 532 10 62-22 | Tire F Ts 15 X 6 0 - 6 Service |
| 4 | 532 05 99-04 | Tube Front (Service Item Only) |
| 5 | 532 13 83-36 | Rim Asm 6" front Silver Service |
| 6 | 532 12 49-57 | Fitting Grease (Front Wheel Only) |
| 7 | 532 12 49-59 | Bearing Flange (Front Wheel Only) |
| 8 | 532 13 83-37 | Rim Asm 8" rear Silver Service |
| 9 | 532 12 20-82 | Tire R Ts 20x10-8 C Service |
| 10 | 532 12 49-26 | Tube Rear (Service Item Only) |
| 11 | 532 17 50-39 | Cap Axle Blk 1 50 X 1 00 |
| -- | 532 14 43-34 | Sealant, Tire (10 oz. Tube) |

NOTE: All component dimensions given in U.S. inches
1 inch = 25.4 mm

REPAIR PARTS

TRACTOR - MODEL NO. YTH1848XP (YTH1848XPE), PRODUCT NO. 954 56 72-60
ENGINE



REPAIR PARTS

TRACTOR - MODEL NO. YTH1848XP (YTH1848XPE), PRODUCT NO. 954 56 72-60
ENGINE

| KEY NO. | PART NO. | DESCRIPTION |
|---------|--------------|--|
| 1 | 532 17 08-03 | Control Throt Flg |
| 2 | 817 72 04-08 | Screw Hex Thd Cut 1/4-20 x 1/2 |
| 3 | ----- | Engine KAWA FH531V (Order Parts from Engine Manufacturer) |
| 4 | 532 14 97-23 | Muffler Asm Twin Lo-Tone |
| 5 | 532 17 60-67 | Exhaust Tube |
| 6 | 532 17 60-68 | Exhaust Tube |
| 8 | 532 17 18-77 | Bolt 5/16-18unc x 3/4 W/Sems |
| 10 | 532 14 66-29 | Shield Browning |
| 13 | ----- | Gasket Muffler (Order from Engine Manufacturer) |
| 14 | 532 14 84-56 | Tube Drain Oil Easy |
| 16 | 811 05 06-00 | Washer Lock Ext Tooth 3/8 |
| 23 | 532 16 98-37 | Shield Browning |
| 25 | 532 13 27-82 | Choke Control |
| 26 | 873 92 06-00 | Nut, Keps 3/8-24 Unf |
| 29 | 532 13 71-80 | Kit Spark Arrestor (Flat Scrm) |
| 31 | 532 15 71-03 | Tank Fuel 3 50 Rear |
| 32 | 532 16 16-96 | Cap Asm Fuel |
| 33 | 532 12 34-87 | Clamp Hose Blk |
| 34 | 532 10 60-82 | Pad, Spacer |
| 37 | 532 14 21-58 | Line Fuel |
| 38 | ----- | Plug Drain Oil (Order from Engine Manufacturer) |
| 39 | 532 10 92-27 | Pad, Idler |
| 45 | 817 00 06-12 | Screw Hexwsh Thdr 3/8-16 x 3/4 |
| 81 | 873 51 04-00 | Nut Keps Hex 1/4-20 Unc |
| 101 | 532 16 33-05 | Nut Flange M8-1.25 |
| 105 | 817 12 06-16 | Screw 3/8-16 x 1 |

NOTE: All component dimensions given in U.S. inches
1 inch = 25.4 mm

REPAIR PARTS

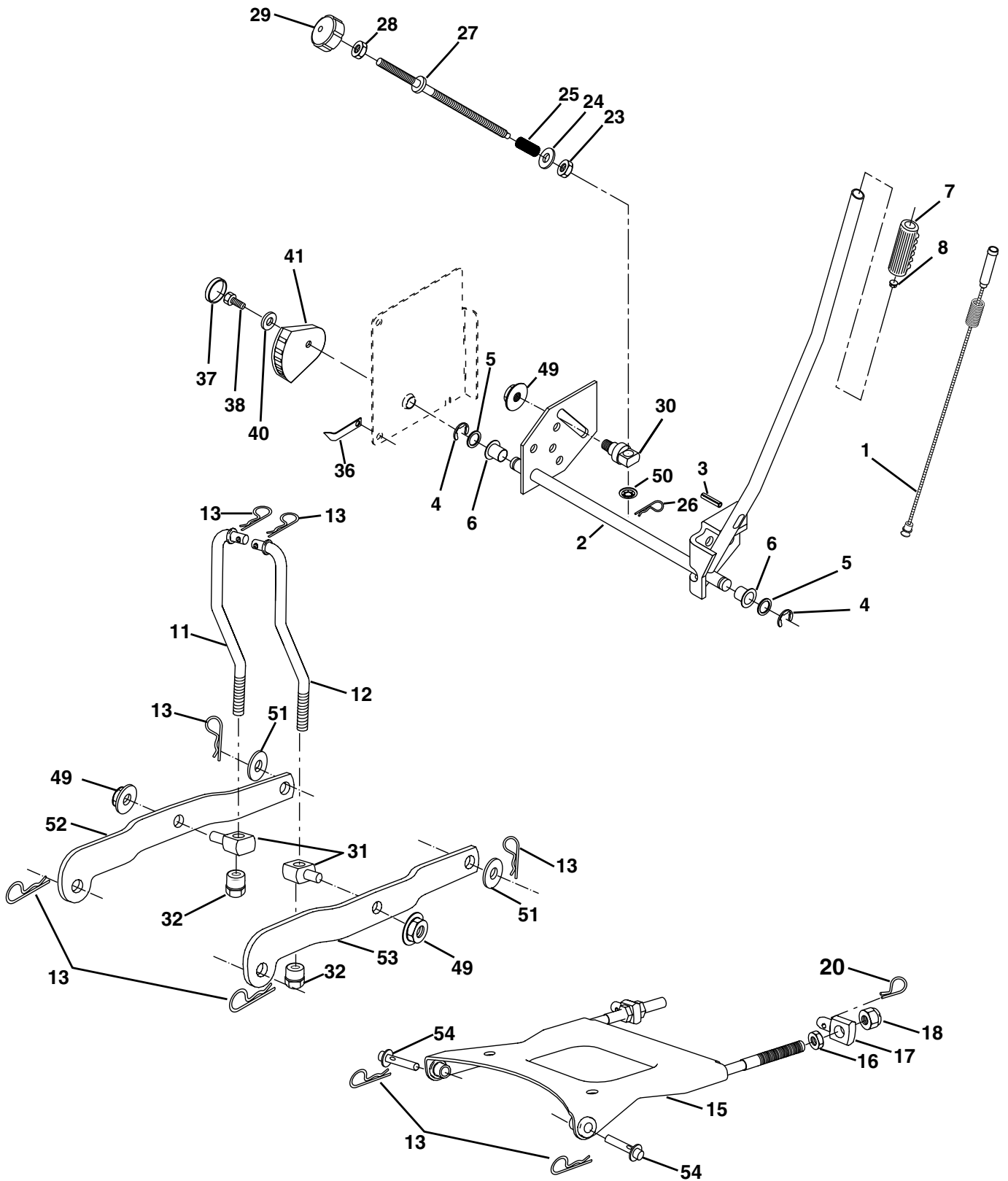
TRACTOR - MODEL NO. YTH1848XP (YTH1848XPE), PRODUCT NO. 954 56 72-60 MOWER DECK

| KEY NO. | PART NO. | DESCRIPTION | KEY NO. | PART NO. | DESCRIPTION |
|---------|--------------|-------------------------------------|---------|--------------|--|
| 1 | 532 18 03-58 | Deck Weldment Mower 48 | 54 | 874 78 06-16 | Bolt Fin Hex 3/8-16 x 1 |
| 3 | 532 13 80-17 | Bracket Asm., Sway Bar | 55 | 872 14 06-08 | Bolt Rdhd Sqnk 3/8-16 x 1 |
| 5 | 532 12 46-70 | Retainer Spring | 56 | 532 15 59-86 | Bar Pnt Adjusting Wheel Gauge |
| 6 | 532 17 80-24 | Sway Bar Deck | 57 | 532 15 69-41 | Pin Head Rivet |
| 8 | 532 17 43-65 | Bolt, 7/16 Asm. Blade | 72 | 819 13 13-12 | Washer 13/32 x 13/16 x 12 |
| 11 | 532 18 00-54 | Blade | 91 | 532 18 05-34 | Bracket, Asm Noseroller, LH 48 |
| 13 | 532 17 43-60 | Shaft Asm. greaseable | 92 | 873 80 06-00 | Nut Lock Hex w/Ins 3/8-16 |
| 14 | 532 17 43-58 | Housing Mandrel 48" | 94 | 532 17 60-66 | Roller, Nose 48" |
| 15 | 532 11 04-85 | Bearing, Ball, Mandrel | 95 | 532 18 05-35 | Bracket, Asm Noseroller RH 48 |
| 16 | 532 17 44-93 | Stripper, Mower | 97 | 532 13 39-43 | Washer Hardened |
| 17 | 872 11 06-10 | Bolt Rdhd Sq Neck 3/8-16 x 1.25 | 98 | 532 17 94-79 | Spring Primary Drive |
| 18 | 872 14 05-05 | Bolt, Carriage 5/16-18 x 5/8 | 99 | 532 17 50-80 | Pulley Idler "V" |
| 19 | 532 13 28-27 | Bolt, Hex Head, Shoulder 5/16-18 | 100 | 872 11 06-16 | Bolt RDHD Sqnk 3/8-16 Unc x 2 |
| 20 | 532 17 43-78 | Baffle, Vortex Mower | 107 | 532 17 52-94 | Baffle Vac Edge Mower |
| 21 | 873 68 05-00 | Nut, Crownlock 5/16-18 UNC | 108 | 872 14 04-04 | Bolt Rdhd 1/4-20 x 1/2 |
| 24 | 532 10 53-04 | Cap, Sleeve | 109 | 873 68 04-00 | Nut Crownlock 1/4-20 |
| 25 | 532 17 81-02 | Spring, Torsion | 110 | 532 17 50-16 | Arm Spring Secondary |
| 26 | 532 11 04-52 | Nut, Push | 112 | 532 17 43-87 | Link Tension Relief Lever |
| 27 | 532 18 17-07 | Shield, Deflector Mower | 113 | 872 11 05-08 | Bolt Carr. 5/16-18 x 1 |
| 28 | 819 11 10-16 | Washer 11/32 x 5/8 x 16 Ga. | 114 | 532 17 43-84 | Tension Asm Relief Lever |
| 29 | 532 13 14-91 | Rod, Hinge | 115 | 532 17 46-09 | Arm Spring Tension Relief |
| 30 | 532 17 39-84 | Screw, Thdroll, Washer Head | 116 | 532 13 76-44 | Bolt, Shoulder |
| 31 | 532 12 99-63 | Washer, Spacer Mower Vented | 117 | 532 13 39-57 | Gauge Wheel |
| 32 | 532 17 78-65 | Pulley, Mandrel | 118 | 873 93 06-00 | Nut, Centerlock 3/8-16 UNC |
| 33 | 532 17 83-42 | Nut, Flg. Top Lock Cntr. 9/16 | 119 | 819 12 14-14 | Washer 3/8 x 7/8 x 14 Ga. |
| 36 | 819 13 13-16 | Washer 13/32 x 13/16 x 16 Ga. | 121 | 532 17 43-71 | Spring Secondary Drive |
| 37 | 532 17 79-68 | Pulley, Idler, Flat | 122 | 532 17 46-06 | Bushing Pivot Tension Relief |
| 39 | 532 17 43-75 | Pulley, Idler, Driven | 126 | 532 17 43-72 | Arm, Idler, Primary Deck |
| 42 | 532 12 20-52 | Spacer, Retainer | 130 | 817 00 06-16 | Screw 3/8-16 x 1.0 |
| 43 | 532 17 43-73 | Arm, Idler Secondary | 132 | 817 06 06-12 | Screw 3/8-16 x .75 |
| 45 | 532 17 43-43 | Cover, Mandrel Deck | 182 | 532 17 91-27 | Rod Roller Nose |
| 46 | 532 13 77-29 | Screw, Thdroll. 1/4-20 x 5/8 | 183 | 532 16 35-52 | Retainer Spring |
| 47 | 532 17 43-69 | V-Belt, Mower, Secondary | 184 | 532 17 39-79 | Keeper Belt Idler |
| 48 | 532 17 43-68 | V-Belt, Mower, Primary | -- | 532 18 15-91 | Replacement Mower, Complete |
| 49 | 873 68 06-00 | Nut, Crownlock 3/8-16 UNC | -- | 532 17 43-56 | Mandrel Assembly Service (Includes Key Nos. 13-15) |
| 50 | 872 11 06-12 | Bolt, Carriage 3/8-16 x 1-1/2 Gr. 5 | | | |
| 52 | 532 17 58-20 | Pulley Idler Flat 46 Pri. Drive | | | |

NOTE: All component dimensions given in U.S. inches
1 inch = 25.4 mm

REPAIR PARTS

TRACTOR - MODEL NO. YTH1848XP (YTH1848XPE), PRODUCT NO. 954 56 72-60
MOWER LIFT



REPAIR PARTS

TRACTOR - MODEL NO. YTH1848XP (YTH1848XPE), PRODUCT NO. 954 56 72-60
MOWER LIFT

| KEY NO. | PART NO. | DESCRIPTION |
|---------|--------------|------------------------------------|
| 1 | 532 15 94-60 | Wire Asm Inner/Spring W/Plunger LT |
| 2 | 532 15 94-71 | Shaft Asm Lift RH w/Inf |
| 3 | 532 10 57-67 | Pin Groove 1 500 Zinc |
| 4 | 812 00 00-02 | E Ring #5133-62 |
| 5 | 819 21 16-21 | Washer 21/32 X 1 X 21 Ga |
| 6 | 532 12 01-83 | Bearing Nylon Blk 629 Id |
| 7 | 532 12 56-31 | Grip Handle Fluted Blk |
| 8 | 532 12 45-26 | Button Plunger Black |
| 11 | 532 17 53-70 | Link Lift LH |
| 12 | 532 17 53-71 | Link Lift RH |
| 13 | 532 12 46-70 | Retainer Spring |
| 15 | 532 17 55-62 | Plate Asm Susp Front |
| 16 | 873 35 08-00 | Nut Jam Hex 1/2-13 Unc |
| 17 | 532 17 56-89 | Trunnion |
| 18 | 873 80 08-00 | Nut Lock w/Wsh 1/2-13unc |
| 20 | 532 16 35-52 | Retainer Spring |
| 23 | 532 11 08-07 | Nut Special |
| 24 | 819 13 10-16 | Washer 13/32 X 5/8 X 16 Ga |
| 25 | 532 12 48-74 | Spring 2-1/8" |
| 26 | 532 16 94-84 | Retainer Clip |
| 27 | 532 12 69-71 | Rod Adj Lift Zinc 7.49 Wrk Lg |
| 28 | 873 35 06-00 | Nut Hex Jam 3/8-16 Unc |
| 29 | 532 13 80-57 | Knob Inf 3/8-16 Unc Blk W/sym |
| 30 | 532 15 02-33 | Trunnion Infin Height |
| 31 | 532 17 62-05 | Trunnion |
| 32 | 532 17 59-94 | Nut Lift Link 7/16-20 |
| 36 | 532 15 50-97 | Indicator Height STLT |
| 37 | 532 12 39-35 | Plug Hole Blk 1.485/1.515 Dia. |
| 38 | 817 06 05-16 | Screw 5/16-18 x 1 |
| 40 | 819 11 24-10 | Washer 11/32 x 1-1/2 10 Ga. |
| 41 | 532 15 50-98 | Scale Ind. Height Blk. |
| 49 | 532 14 52-12 | Nut Hex Flange Lock |
| 50 | 532 11 04-52 | Nut, Push Phos & Oil |
| 51 | 819 17 14-16 | Washer 17/32 x 7/8 x 16 Ga. |
| 52 | 532 17 53-78 | Arm Susp. Rear Lh |
| 53 | 532 17 58-02 | Arm Susp. Rear Rh |
| 54 | 532 17 55-60 | Pin Flange |

NOTE: All component dimensions given in U.S. inches
1 inch = 25.4 mm