

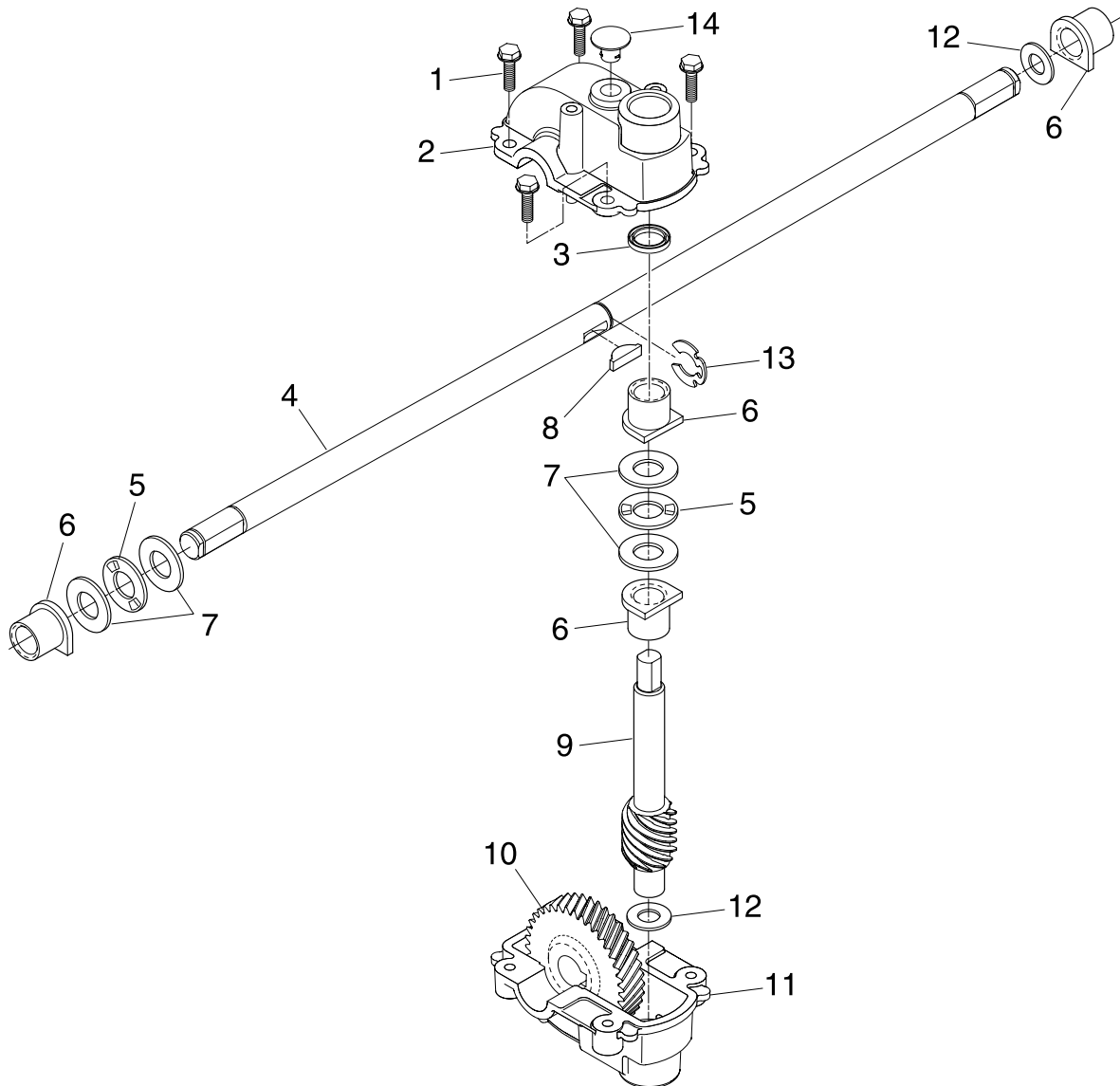
Walk Mower

5521 RS A

954223470



ROTARY LAWN MOWER
MODEL NUMBER 5521RS (5521RSA) - PRODUCT NUMBER 954 22 34-70
GEAR CASE ASSEMBLY - PART NUMBER 532 18 08-68

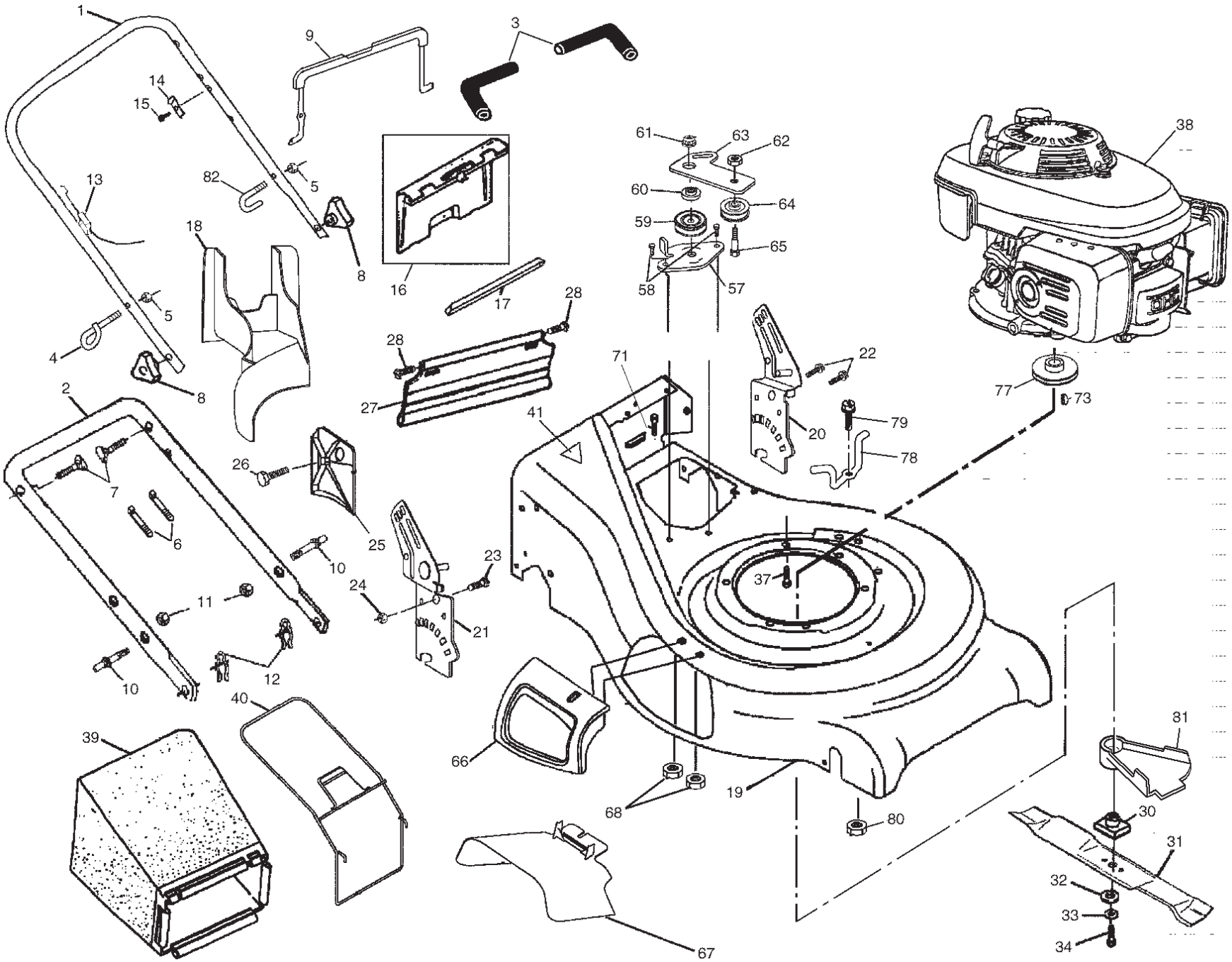


KEY NO.	PART NO.	DESCRIPTION
1	817 54 10-11	Screw, Tapping #10-24 x .668
2	532 16 06-72	Gear Case, Upper
3	532 05 70-72	Seal
4	532 17 97-54	Drive Shaft
5	532 16 08-18	Bearing, Needle, Thrust
6	532 07 78-81	Bearing
7	532 16 08-17	Washer, Thrust
8	532 85 08-48	Key, Hi-pro
9	532 16 06-78	Shaft, Worm
10	532 16 06-79	Gear, Helical
11	532 16 06-73	Gear Case, Lower
12	532 05 70-79	Washer, Hardened
13	812 00 00-39	E-Ring
14	532 08 64-47	Plug
--	532 75 03-69	Grease
--	532 18 75-40	Kit, Gearcase Replacement (Includes Grease)

NOTE: All component dimensions given in U.S. inches.
 1 inch = 25.4 mm

ROTARY LAWN MOWER - - MODEL NUMBER 5521RS (5521RSA) - PRODUCT NUMBER 954 22 34-70

18



ROTARY LAWN MOWER - - MODEL NUMBER 5521RS (5521RSA) - PRODUCT NUMBER 954 22 34-70

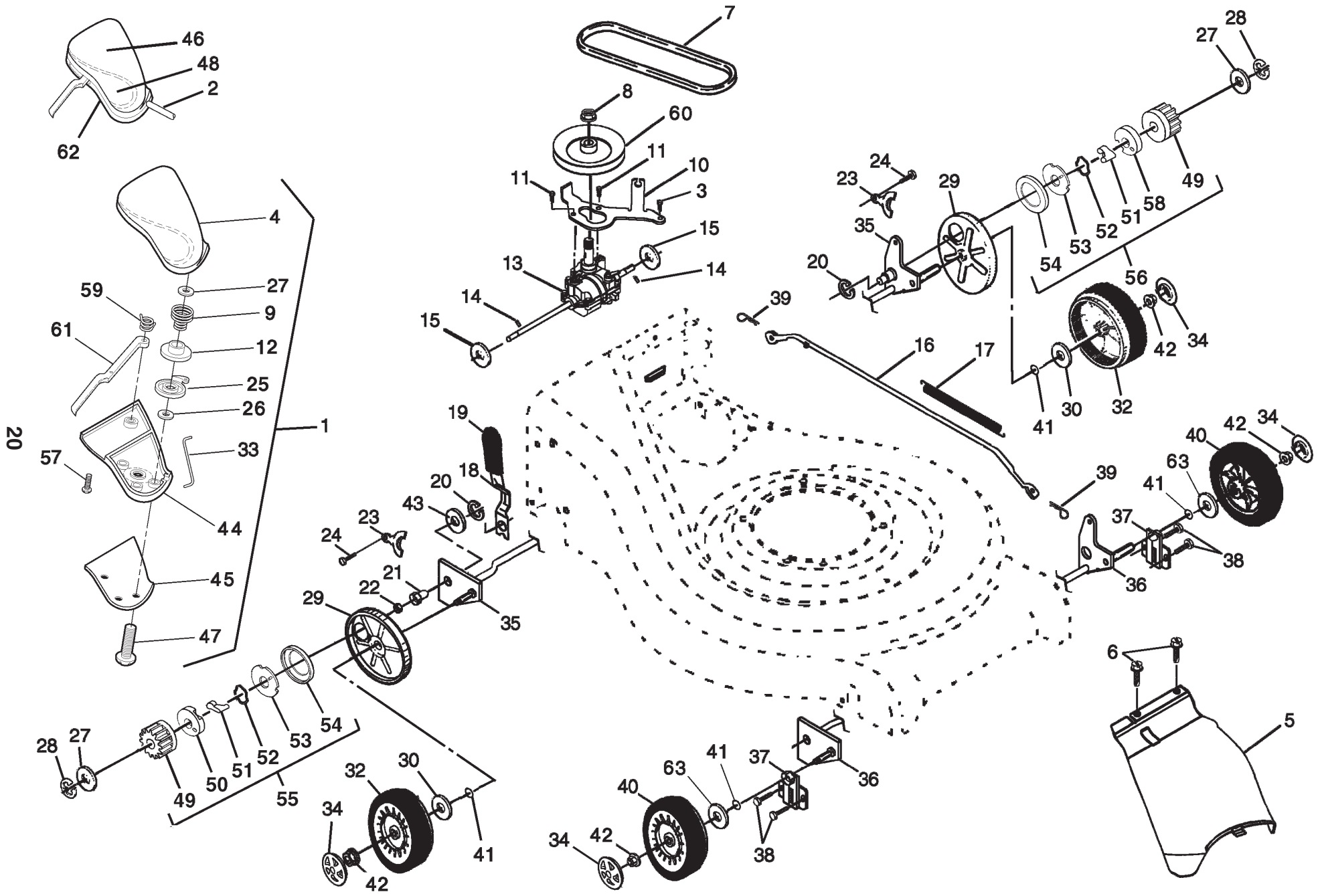
19

KEY NO.	PART NO.	DESCRIPTION
1	532 18 56-12	Handle, Upper (Includes Foam Grip)
2	532 17 42-05	Handle, Lower
3	532 18 27-48	Grip, Handle, Foam, Smooth
4	532 17 95-85	Guide, Rope, Side
5	532 13 20-04	Nut, Hex Lockwasher Insert 1/4-20
6	532 06 64-26	Wire, Tie
7	532 13 19-59	Bolt, Handle 5/16-18 x 1.75
8	532 18 55-88	Knob, Handle
9	532 18 55-99	Bail, Flat, Auto-Walk, Orange
10	532 16 15-51	Bolt, Carriage
11	873 99 05-00	Nut, Hex Lockwasher Insert 5/16-18 UNC
12	532 05 17-93	Cotter, Hairpin
13	532 18 27-55	Engine Zone Control Cable
14	532 12 51-62	Bracket, Upstop
15	532 75 06-34	Screw
16	532 16 20-85	Kit, Door Rear
17	532 17 98-85	Seal, Door
18	532 18 27-78	Plug, Mulcher
19	532 18 56-01	Kit, Housing
20	532 18 60-04	Handle Bracket Assembly, LH
21	532 18 60-05	Handle Bracket Assembly, RH
22	532 15 00-78	Screw, Hex Washer Head
23	532 16 31-83	Bolt, Hex Head 5/16-18 x 5/8
24	532 06 31-24	Nut, Hex, with Lock Washer Insert 5/16-18
25	532 16 13-33	Baffle, Side
26	532 16 34-09	Screw 12 x 5/8
27	532 16 15-50	Skirt
28	532 08 86-52	Screw, Hinge 1/4-20 x 1.25
30	532 85 15-14	Adapter, Blade, with Key
31	532 17 50-64	Blade, 21"
32	532 85 10-74	Washer, Hardened
33	532 85 02-63	Lockwasher, Helical Spring 3/8

KEY NO.	PART NO.	DESCRIPTION
34	532 85 10-84	Screw, Hex Head 3/8-24 x 1.38
37	532 15 04-06	Bolt, Engine
38	- - -	Engine, Honda, Model Number GCV160 (Order parts from engine manufacturer)
39	532 18 55-96	Grass Catcher Bag
40	532 18 00-26	Grass Catcher Frame
41	532 10 73-39	Danger Decal
57	532 18 58-99	Bracket Assembly
58	532 05 78-08	Screw
59	532 16 60-42	Pulley, V-Groove
60	532 16 60-50	Spacer, Idler Arm
61	532 14 52-12	Flange Nut
62	532 15 55-52	Locknut
63	532 18 58-98	Idler Arm
64	532 16 60-43	Idler Pulley
65	532 16 08-29	Shoulder Bolt
66	532 18 55-97	Door Assembly
67	532 18 55-98	Deflector, Door
68	532 08 83-49	Nut
71	532 05 45-83	Screw
73	532 08 76-77	Hi-Pro Key
77	532 08 45-96	Pulley
78	532 18 20-01	Belt Keeper
79	532 18 22-27	Screw
80	532 18 22-28	Nut, Hex
81	532 18 20-02	Debris Shield
82	532 18 20-03	Clip
--	532 16 23-00	Warning Decal (Not Shown)
--	532 18 55-94	Owner's Manual, English/French

NOTE: All component dimensions given in U.S. inches.
1 inch = 25.4 mm

ROTARY LAWN MOWER - - MODEL NUMBER 5521RS (5521RSA) - PRODUCT NUMBER 954 22 34-70



ROTARY LAWN MOWER - - MODEL NUMBER 5521RS (5521RSA) - PRODUCT NUMBER 954 22 34-70

21

KEY NO.	PART NO.	DESCRIPTION	KEY NO.	PART NO.	DESCRIPTION
1	532 18 59-05	Drive Control Assembly, Auto-Walk	34	532 18 06-26	Hubcap
2	532 18 06-12	Cable, Drive Control	35	532 16 45-52	Shaft Assembly, Rear
3	532 05 45-83	Screw	36	532 16 45-50	Shaft Assembly, Front
4	532 18 59-63	Cover, Top, Auto-Walk Drive Control	37	532 16 14-63	Retainer, Front Shaft
5	532 18 55-92	Cover Drive	38	532 16 34-09	Screw #12 x 5/8
6	532 75 06-34	Screw, Threaded, Rolled #10-25 x .50	39	532 70 02-79	Clip, Retainer
7	532 18 22-12	V-Belt	40	532 14 35-93	Wheel 8 x 2
8	532 13 20-10	Nut, Hex, Flanglock, Zinc Plated 3/8-16	41	532 18 81-52	O-Ring
9	532 18 06-07	Spring, Pulley Adjuster	42	532 08 39-23	Nut, Hex, Flangelock 3/8-16
10	532 17 76-54	Belt Keeper Bracket	43	819 57 22-16	Washer
11	817 54 10-11	Screw, Hex Washer Head #10-24 x .668	44	532 18 59-61	Cover, Bottom, Auto-Walk Drive Control
12	532 18 06-04	Pulley, Split, Upper	45	532 18 60-06	Plate, Trigger, Auto-Walk Drive Control
13	532 18 08-68	Gear Case Assembly (See Breakdown)	46	532 18 58-58	Decal, Drive Control
14	532 14 53-54	Pin, Spring, Thrust	47	532 18 16-98	Screw, Phillips Head #10 x 5/8
15	532 05 70-79	Washer, Hardened	48	532 18 58-59	Decal, Drive Control Operation
16	532 16 15-84	Rod, Connecting	49	532 17 51-03	Gear, Pinion
17	532 16 16-02	Spring, Extension	50	532 17 51-02	Retainer, Drive, RH
18	532 16 45-54	Spring Selector	51	532 17 50-98	Pawl
19	532 18 55-90	Knob, Selector Spring	52	532 18 82-91	Spring, Torsion
20	812 00 00-22	E-Ring 7/8	53	532 17 51-04	Disc, Drive
21	532 16 33-65	Bearing, Support	54	532 17 51-01	Seal, Friction
22	532 16 99-11	Bearing, Ball	55	532 18 82-93	Pinion/Pawl Assembly, RH
23	532 16 45-55	Retainer, Drive Assembly, Stamped	56	532 18 82-92	Pinion/Pawl Assembly, LH
24	532 05 78-08	Screw, Tapping, Hex Head 1/4-20 x .75	57	532 18 06-06	Screw #8 x 3/4
25	532 18 06-03	Pulley, Split, Lower	58	532 17 51-05	Retainer, Drive, LH
26	532 05 70-79	Pinion, Drive	59	532 18 10-45	Spring, Return, Lever
27	532 05 21-60	Washer	60	532 18 47-49	Pulley, Drive
28	812 00 00-58	E-Ring 7/16	61	532 18 59-64	Lever, Auto-Walk Drive Control
29	532 18 05-04	Cover, Dust, Wheel	62	532 18 24-94	Decal, Drive Control Adjustment (bottom)
30	532 06 77-25	Washer 1/2 x 1-1/2 x .134	63	532 08 83-48	Washer, Flat 3/8
32	532 18 07-53	Wheel 9 x 2			
33	532 18 16-09	Connector, Lever/Pulley			

NOTE: All component dimensions given in U.S. inches.
1 inch = 25.4 mm