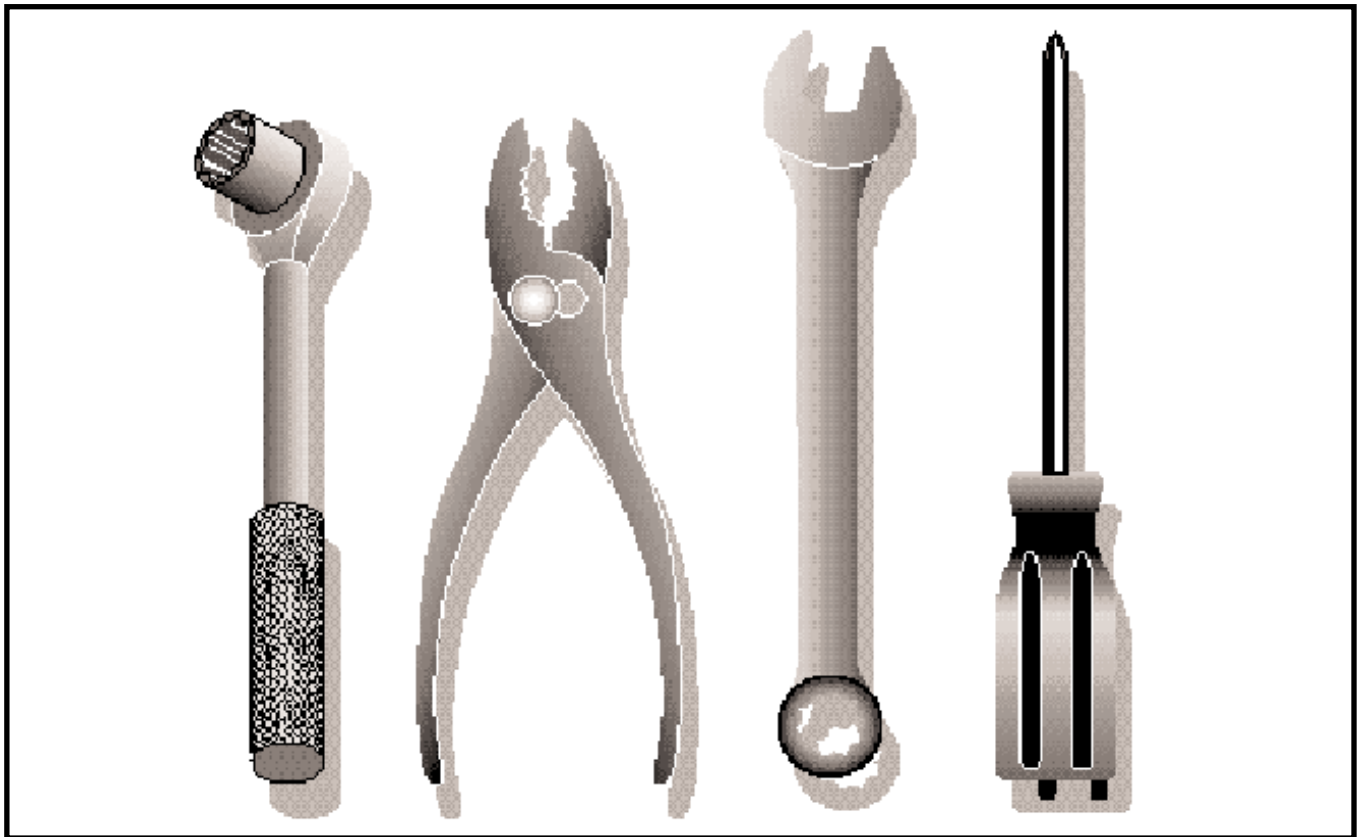


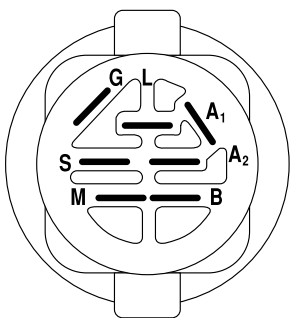
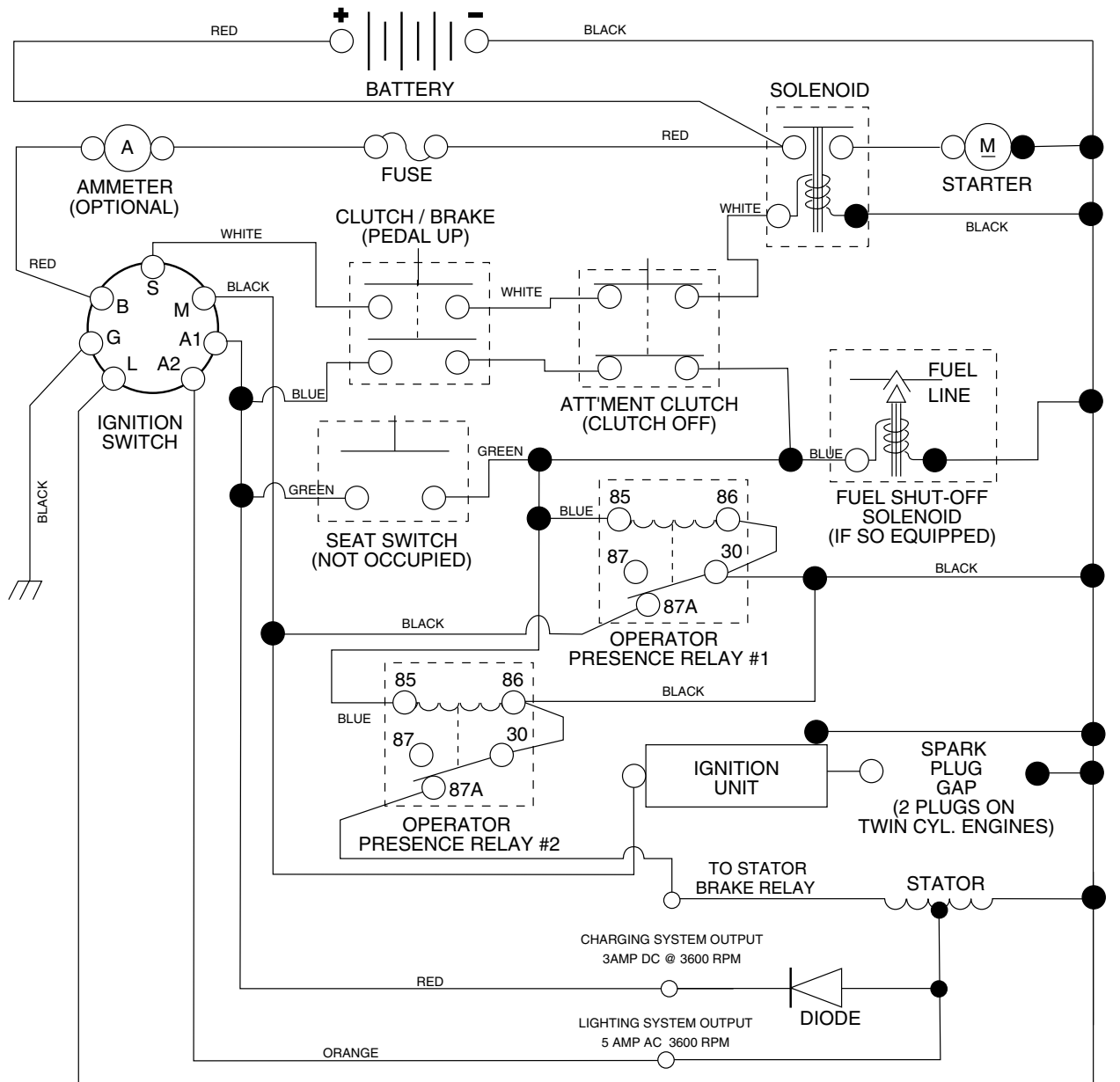
Ride Mower

LT1538 C

954569776



TRACTOR - - MODEL NO. LT1538 (LT1538C), PRODUCT NO. 954 56 97-76 SCHEMATIC

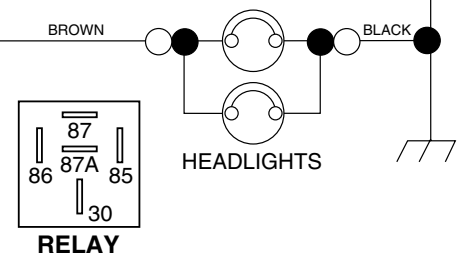


IGNITION SWITCH

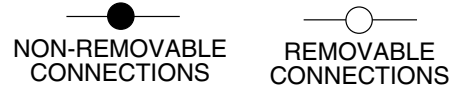
| POSITION | CIRCUIT | "MAKE" |
|-----------|------------|--------|
| OFF | M+G+A1 | NONE |
| RUN/LIGHT | B+A1 | A2+L |
| RUN | B+A1 | NONE |
| START | B + S + A1 | NONE |

NOTE

YOUR TRACTOR IS EQUIPPED WITH A SPECIAL ALTERNATOR SYSTEM. THE LIGHTS ARE NOT CONNECTED TO THE BATTERY, BUT HAVE THEIR OWN ELECTRICAL SOURCE. BECAUSE OF THIS, THE BRIGHTNESS OF THE LIGHTS WILL CHANGE WITH ENGINE SPEED. AT IDLE THE LIGHTS WILL DIM. AS THE ENGINE IS SPEEDED UP, THE LIGHTS WILL BECOME THEIR BRIGHTEST.



RELAY



WIRING INSULATED CLIPS

NOTE: IF WIRING INSULATED CLIPS WERE REMOVED FOR SERVICING OF UNIT, THEY SHOULD BE REPLACED TO PROPERLY SECURE YOUR WIRING.

REPAIR PARTS

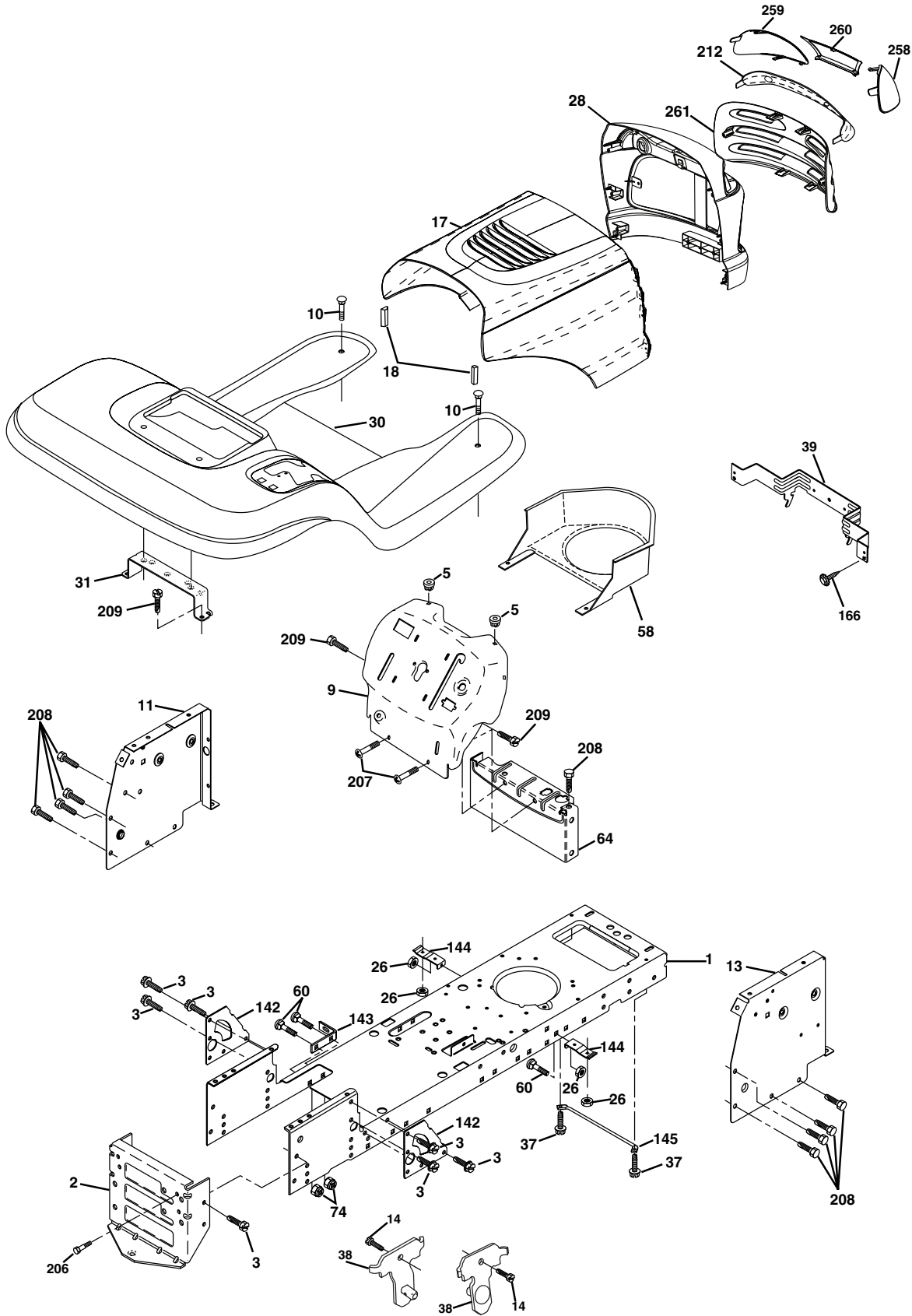
TRACTOR - - MODEL NO. LT1538 (LT1538C), PRODUCT NO. 954 56 97-76
ELECTRICAL

| KEY NO. | PART NO. | DESCRIPTION |
|---------|--------------|--------------------------------------|
| 1 | 532 16 34-65 | Battery 12 Volt 28 AMP |
| 2 | 874 76 04-12 | Bolt Hex Hd 1/4-20unc X 3/4 |
| 8 | 532 17 66-89 | Battery Box |
| 16 | 532 17 61-37 | Switch Interlock Push-In |
| 21 | 532 17 56-88 | Harness Asm Light W/4152j |
| 22 | 532 00 41-52 | Bulb Light #1156 |
| 24 | 532 12 47-80 | Cable Battery 6 Ga 11" red |
| 25 | 532 14 61-47 | Cable Battery 6 Ga 44" red w/16 wire |
| 26 | 532 17 51-58 | Fuse 20 AMP |
| 27 | 873 51 04-00 | Nut Keps Hex 1/4-20 Unc |
| 28 | 532 12 47-73 | Cable Ground 6 Ga 12" black |
| 29 | 532 16 07-84 | Switch Plunger Nc Gray |
| 30 | 532 17 55-66 | Switch Ign |
| 33 | 532 14 04-01 | Key Ign |
| 40 | 532 17 97-23 | Harness Ign. |
| 41 | 871 11 04-08 | Bolt Blk Fin Hex 1/4 - 20 x 1/2 |
| 42 | 532 13 15-63 | Cover Terminal Red |
| 43 | 532 17 88-61 | Solenoid |
| 48 | 532 14 08-44 | Adapter Ammeter |
| 52 | 532 14 19-40 | Protection Wire Loop |
| 81 | 532 10 97-48 | Relay Asm. |
| 90 | 532 18 04-49 | Cover Terminal |

NOTE: All component dimensions given in U.S. inches.
1 inch = 25.4 mm.

REPAIR PARTS

TRACTOR - - MODEL NO. LT1538 (LT1538C), PRODUCT NO. 954 56 97-76
CHASSIS AND ENCLOSURES



REPAIR PARTS

TRACTOR - - MODEL NO. LT1538 (LT1538C), PRODUCT NO. 954 56 97-76 CHASSIS AND ENCLOSURES

| KEY NO. | PART NO. | DESCRIPTION |
|---------|--------------|--------------------------------|
| 1 | 532 17 46-19 | Chassis Stamping |
| 2 | 532 17 65-54 | Drawbar, 12 Ga. |
| 3 | 817 06 06-12 | Screw 3/8-16 x 3/4 |
| 5 | 532 15 52-72 | Bumper Hood/Dash |
| 9 | 532 18 58-66 | Dash Silscr |
| 10 | 872 14 06-08 | Bolt Carriage 3/8-16 x 1 |
| 11 | 532 17 49-96 | Panel Dash Lh |
| 13 | 532 18 17-19 | Panel Dash Rh |
| 14 | 817 49 06-08 | Screw Thdrol 3/8-16 x 1/2 |
| 17 | 532 18 52-11 | Hood LT/PL |
| 18 | 532 18 49-21 | Bumper Hood |
| 26 | 873 80 06-00 | Nut Lock Hex W/Ins 3/8-16 Unc |
| 28 | 532 18 52-92 | Grille/Lens Asm |
| 30 | 532 18 05-07 | Fender Footrest |
| 31 | 532 13 99-76 | Bracket Fender |
| 37 | 817 49 05-08 | Screw Thdrol 6/16-18 x 1/2 TYT |
| 38 | 532 17 57-10 | Bracket Asm Pivot Mower Rear |
| 39 | 532 17 47-14 | Bracket Pivot |
| 58 | 532 15 01-27 | Air Duct Engine P/L |
| 60 | 872 14 06-06 | Bolt RdHd Sqnk 3/8-16 x 3/4 |
| 64 | 532 15 47-98 | Dash Lower STLT |
| 74 | 873 68 06-00 | Nut Crownlock 3/8-16 |
| 142 | 532 17 57-02 | Plate Reinforcement STLT |
| 143 | 532 15 49-66 | Bracket Swaybar Chassis |
| 144 | 532 17 55-82 | Bracket Footrest |
| 145 | 532 15 65-24 | Rod Pivot Chassis/Hood |
| 166 | 532 17 18-75 | Screw HWHD Hi-Lo #13-16 x 3/4 |
| 206 | 532 17 01-65 | Bolt Shoulder 5/16-18 TT |
| 207 | 817 67 05-08 | Screw Thdrol 5/16-18 x 1/2 |
| 208 | 817 67 06-08 | Screw Thdrol 3/8-16x1/2 Ty-tt |
| 209 | 817 00 06-12 | Screw Hexwsh Thdr 3/8-16 x 3/4 |
| 212 | 532 18 35-48 | Insert Lens Reflective |
| 258 | 532 18 52-14 | Lens Husq. Laser LT Clear RH |
| 259 | 532 18 52-13 | Lens Husq. Lens LT Clear LH |
| 260 | 532 18 54-29 | Cover Lens Husq. Laser |
| 261 | 532 18 54-33 | Insert Grille |
| -- | 532 00 54-79 | Plug Button |

NOTE: All component dimensions given in U.S. inches
1 inch = 25.4 mm

REPAIR PARTS

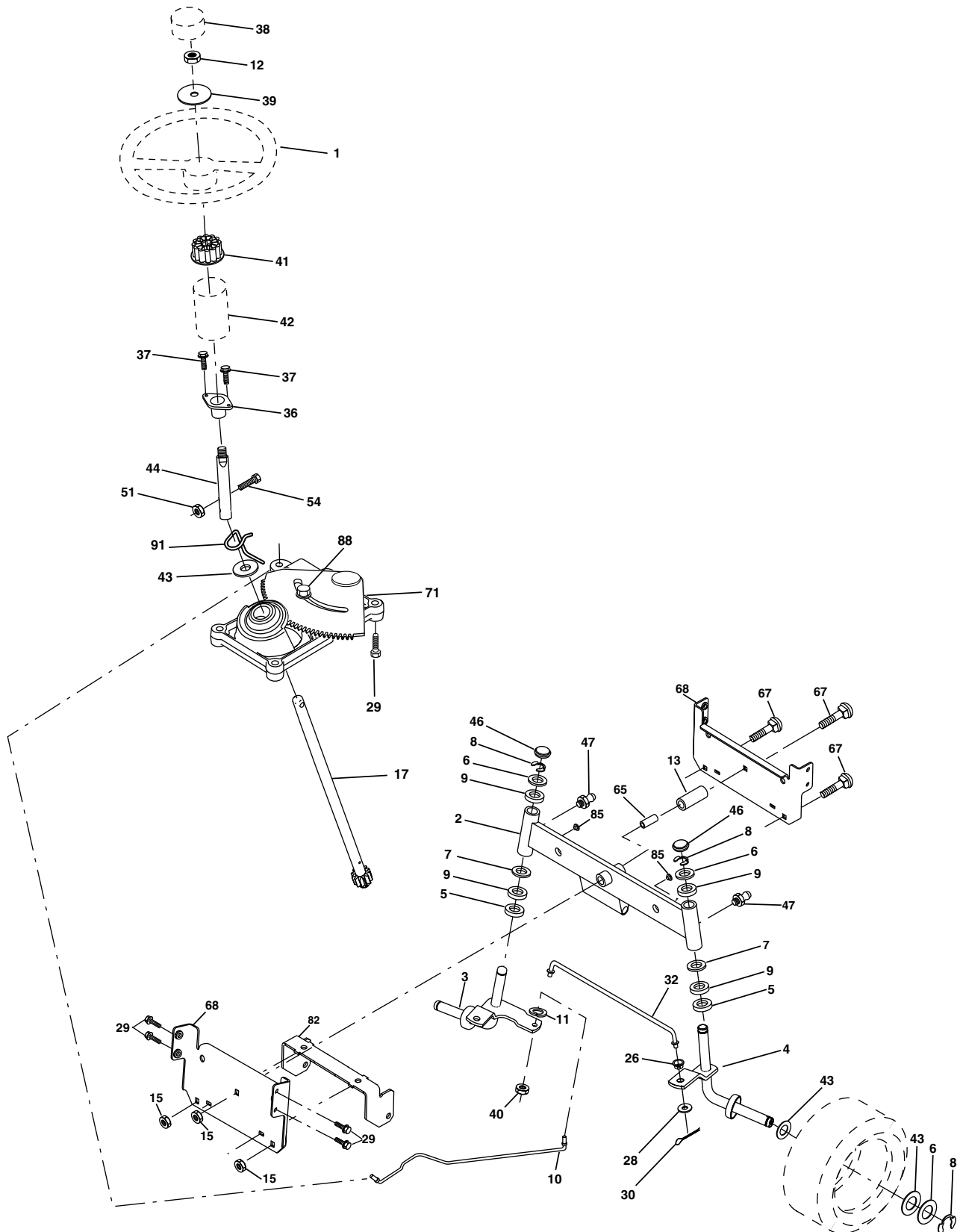
TRACTOR - - MODEL NO. LT1538 (LT1538C), PRODUCT NO. 954 56 97-76 DRIVE

| KEY NO. | PART NO. | DESCRIPTION | KEY NO. | PART NO. | DESCRIPTION |
|---------|--------------|--|---------|--------------|----------------------------------|
| 1 | ----- | Transaxle Peerless 206-545C Order parts from transaxle manufacturer | 63 | 532 17 54-10 | Engine Pulley LT/YT |
| 2 | 532 14 66-82 | Spring Return Brake T/a Zinc | 64 | 871 17 07-64 | Bolt Hex |
| 3 | 532 12 36-66 | Pulley Transaxle 18" tires | 65 | 810 04 07-00 | Washer Lock Hvy Hlcl Spr 7/16 |
| 4 | 812 00 00-28 | Ring Retainer # 5100-62 | 66 | 532 15 47-78 | Keeper Belt Engine Foolproof |
| 5 | 532 12 15-20 | Strap Torque 30 Degrees | 70 | 532 13 46-83 | Guide Belt Mower Drive RH |
| 6 | 817 06 05-12 | Screw Thdrol 5/16-18 | 74 | 532 13 70-57 | Spacer Axle |
| 8 | 532 16 58-66 | Rod Shift Fender Adjust Lt | 75 | 532 12 17-49 | Washer 25/32 X 1 1/4 X 16 Ga |
| 10 | 876 02 04-16 | Pin Cotter 1/8 X 1 Cad | 76 | 812 00 00-01 | E-ring #5133-75 |
| 11 | 532 10 57-01 | Washer Plate Shf 388 Sq Hole | 77 | 532 12 35-83 | Key Square 2 0 X 1845/ 1865 |
| 13 | 874 55 04-12 | Bolt 1/4-28 Unf Gr 8 W/Patch | 78 | 532 12 17-48 | Washer 25/32 X 1-5/8 X 16 Ga |
| 14 | 810 04 04-00 | Washer Lock Hvy Helical | 79 | 532 12 50-96 | Key Woodruff #9 3/16 x 3/4 |
| 16 | 873 80 05-00 | Nut Lock Hex w/lns 5/16-18 | 80 | 532 13 14-86 | Arm Shift |
| 18 | 874 78 06-16 | Bolt, Fin Hex 3/8-16 UNC x 1 Gr. 5 | 81 | 532 16 55-94 | Shaft Asm Cross |
| 19 | 873 80 06-00 | Nut Lock 3/8-16 Unc | 82 | 532 16 57-11 | Spring Torsion T/a |
| 21 | 532 10 69-33 | Knob | 83 | 819 17 12-16 | Washer 17/32 X 3/4 X 16 Ga |
| 22 | 532 13 08-04 | Rod Brake Blk Zinc 26 840 | 84 | 532 16 62-28 | Link Transaxle |
| 24 | 873 35 06-00 | Nut Hex Jam 3/8-16 Unc | 85 | 532 15 03-60 | Nut Lock Center 1/4 - 28 FNTHD |
| 25 | 532 10 68-88 | Spring Rod Brake 2 00 Zinc | 89 | 532 16 65-56 | Console Shift STLT |
| 26 | 819 13 13-16 | Washer 13/32 X 13/16 X 16 Ga | 90 | 532 12 43-46 | Nut Self-thd Wsh-hd 1/4 Zinc |
| 27 | 876 02 04-12 | Pin Cotter 1/8 X 3/4 Cad | 96 | 532 12 47-88 | Retainer Spring 1" |
| 28 | 532 17 57-65 | Rod Brake Parking LT/YT | 112 | 819 09 12-10 | Washer 9/32 x 3/4 x 10 Ga. |
| 29 | 532 07 16-73 | Cap Brake Parking Black | 113 | 532 12 72-85 | Strap Torque LT |
| 30 | 532 17 49-73 | Bracket Mtg Transaxle | 116 | 872 14 06-08 | Bolt Rdhd Sq Neck 3/8-16 x 1.0 |
| 32 | 874 76 05-12 | Bolt Hex Hd 5/16-18unc X 3/4 | 120 | 873 90 06-00 | Nut Lock Flg. 3/8-16 Unc |
| 34 | 532 17 55-78 | Shaft Asm Pedal Foot | 145 | 874 49 05-40 | Bolt Hex 5/16-18 Gr. 5 |
| 35 | 532 12 01-83 | Bearing Nylon Blk 629 Id | 150 | 532 17 54-56 | Spacer |
| 36 | 819 21 16-16 | Washer 21/32 X 1 X 16 Ga | 151 | 819 13 32-10 | Washer 13/32 x 2 x 10 Ga. |
| 37 | 532 12 49-63 | Pin Roll 3/16 X 1" | 156 | 532 16 60-02 | Washer Srrted 5/16ID x 1.125 |
| 38 | 532 17 91-14 | Pulley Idler Composite | 158 | 532 16 55-89 | Bracket Shift Mount |
| 39 | 874 76 06-48 | Bolt Fin Hex 3/8-16 Unc x 3 | 159 | 532 18 39-00 | Hub Tapered Flange Shift Lt |
| 41 | 532 17 55-56 | Keeper Belt Idler Flat | 161 | 872 14 04-06 | Bolt Rdhd Sqnk 1/4-20 x 3/4 Gr 5 |
| 47 | 532 12 77-83 | Pulley Idler V Groove Plastic | 162 | 873 68 04-00 | Nut Crownlock 1/4-20 Unc |
| 48 | 532 15 44-07 | Bellcrank Clutch Grnd Driv | 163 | 874 78 04-16 | Bolt Hex Fin 1/4-20 Unc x 1 Gr 5 |
| 49 | 532 12 32-05 | Retainer Belt Style Spring | 164 | 819 09 10-10 | Washer 5/8 x .281 x 10 Ga |
| 50 | 872 11 06-12 | Bolt Carr. 3/8-16 x 1-1/2 Gr. 5 | 165 | 532 16 56-23 | Bracket Pivot Lever |
| 51 | 873 68 06-00 | Nut Crownlock 3/8-16 Unc | 166 | 532 16 68-80 | Screw 5/16-18 x 5/8 |
| 52 | 873 68 05-00 | Nut Crownlock 5/16-18 Unc | 168 | 532 16 54-92 | Bolt Shoulder 5/16-18 x .561 |
| 53 | 532 10 57-10 | Link Clutch | 169 | 532 16 55-80 | Plate Fastening Lt |
| 55 | 532 10 57-09 | Spring Return Clutch 6 75 | 170 | 532 17 83-94 | Keeper, Belt T/A D/P |
| 56 | 817 06 06-20 | Screw 3/8-16 x 1 1/4 | 197 | 532 16 96-13 | Nyliner Snap-In |
| 57 | 532 13 08-01 | V-Belt Ground Drive 95 25 | 198 | 532 16 95-93 | Washer Nyl 7/8 ID x 105" |
| 59 | 532 16 96-91 | Keeper Belt Span Ctr | 202 | 872 11 06-14 | Bolt RDHD 3/8-16 x 1-3/4 Gr. 5 |
| 61 | 817 12 06-14 | Screw 3/8-16 x .875 | 212 | 532 14 52-12 | Nut, Hex Flange Lock |
| 62 | 532 12 48-72 | Cover Pedal Round | | | |

NOTE: All component dimensions give in U.S. inches.
1 inch = 25.4 mm.

REPAIR PARTS

TRACTOR - - MODEL NO. LT1538 (LT1538C), PRODUCT NO. 954 56 97-76
STEERING ASSEMBLY



REPAIR PARTS

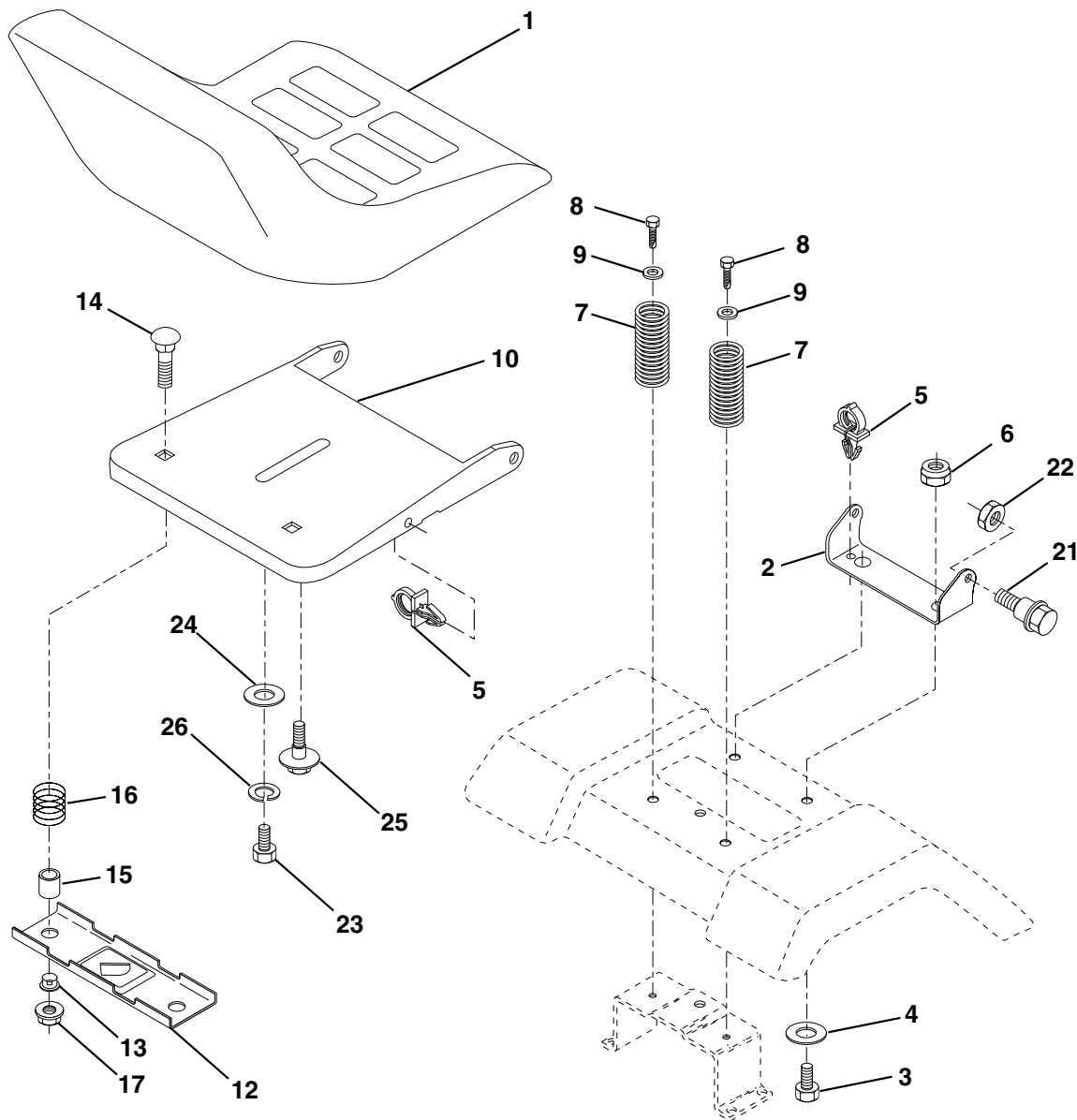
TRACTOR - - MODEL NO. LT1538 (LT1538C), PRODUCT NO. 954 56 97-76 STEERING ASSEMBLY

| KEY NO. | PART NO. | DESCRIPTION |
|---------|--------------|--------------------------------|
| 1 | 532 17 59-04 | Wheel Steering |
| 2 | 532 17 51-31 | Axle Asm |
| 3 | 532 16 98-40 | Spindle Asm LH |
| 4 | 532 16 98-39 | Spindle Asm RH |
| 5 | 532 12 49-31 | Bearing Race Thrust Harden |
| 6 | 532 12 17-48 | Washer 25/32 X 1-5/8 X 16 Ga |
| 7 | 819 27 20-16 | Washer 27/32 X 1-1/4 X 16 Ga |
| 8 | 812 00 00-29 | Ring Klip #t5304-75 |
| 9 | 532 12 49-37 | Bearing Col Strg Blk |
| 10 | 532 17 51-21 | Link Drag |
| 11 | 810 04 06-00 | Washer Lock Hvy Hlcl Spr 3/8 |
| 12 | 873 94 08-00 | Nut Hex Jam Toplock 1/2-20 Unf |
| 13 | 532 13 65-18 | Spacer Brg Axle Front |
| 15 | 532 14 52-12 | Nut Hex Flange Lock |
| 17 | 532 18 06-41 | Shaft Asm Strg |
| 26 | 532 12 68-47 | Bushing Link Drag Blk LR |
| 28 | 819 13 14-16 | Washer 13/32 X 7/8 X 16 Ga |
| 29 | 817 06 06-12 | Screw 3/8-16x3/4 |
| 30 | 876 02 04-12 | Pin Cotter 1/8 X 3/4 Cad |
| 32 | 532 13 04-65 | Rod Tie Wire Form 19 75 Mech |
| 36 | 532 15 50-99 | Bushing Strg |
| 37 | 532 15 29-27 | Screw |
| 38 | 532 17 59-05 | Cap Wheel Steering |
| 39 | 819 18 38-12 | Washer 9/16 ID x 2-3/8 OD. 12 |
| 40 | 532 12 47-01 | Lock nut |
| 41 | 532 10 07-11 | Adaptor Wheel Strg |
| 42 | 532 16 96-33 | Boot Steering Shaft |
| 43 | 532 12 17-49 | Washer 25/32 X 1 1/4 X 16 Ga |
| 44 | 532 18 06-40 | Extension Steering Shaft |
| 46 | 532 12 12-32 | Cap Spindle Fr Top Blk |
| 47 | 532 18 32-26 | Fitting Grease |
| 51 | 873 54 04-00 | Nut Crownlock 1/4-28 |
| 54 | 871 13 04-20 | Bolt Hex 1/4-28 Unf x 1-1/4 |
| 65 | 532 16 03-67 | Spacer Brace Axle |
| 67 | 872 14 06-18 | Bolt Rdhd Sq 3/8-16 x 2-1/4 |
| 68 | 532 16 98-27 | Axle, Brace |
| 71 | 532 17 51-46 | Steering Asm |
| 82 | 532 16 98-35 | Bracket Susp Chassis Front |
| 85 | 532 13 38-35 | Fastner Christmas Tree |
| 88 | 532 17 51-18 | Bolt Shoulder 7/16-20 |
| 91 | 532 17 55-53 | Clip Steering |

NOTE: All component dimensions given in U.S. inches.
1 inch = 25.4 mm.

REPAIR PARTS

TRACTOR - - MODEL NO. LT1538 (LT1538C), PRODUCT NO. 954 56 97-76
SEAT ASSEMBLY



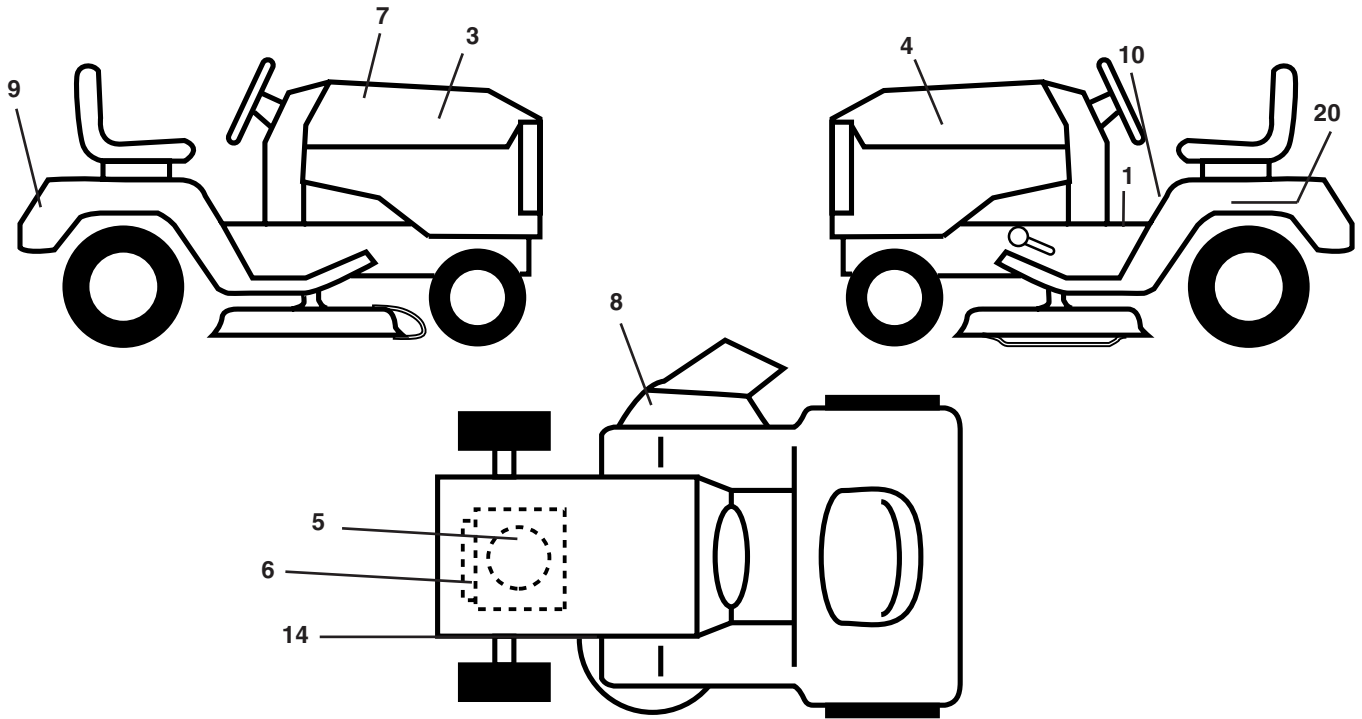
| KEY NO. | PART NO. | DESCRIPTION |
|---------|--------------|--------------------------------|
| 1 | 532 14 01-16 | Seat |
| 2 | 532 14 05-51 | Bracket Pivot Seat 8 720 |
| 3 | 871 11 06-16 | Bolt Fin Hex 3/8-16unc X 1 |
| 4 | 819 13 16-10 | Washer 13/32 X 1 X 10 Ga |
| 5 | 532 14 50-06 | Clip Push-In |
| 6 | 873 80 06-00 | Nut Hex w/Ins. 3/8-16 Unc |
| 7 | 532 12 41-81 | Spring Seat Cprsn 2 250 Blk Zi |
| 8 | 817 00 06-16 | Screw 3/8-16 X 1 |
| 9 | 819 13 16-14 | Washer 13/32 X 1 X 14 Ga. |
| 10 | 532 18 24-93 | Pan Seat |
| 12 | 532 12 12-46 | Bracket Mounting Switch |
| 13 | 532 12 12-48 | Bushing Snap Blk Nyl 50 Id |
| 14 | 872 05 04-12 | Bolt Rdhd Sqnk 1/4-20x1-1/2 |

| KEY NO. | PART NO. | DESCRIPTION |
|---------|--------------|--------------------------------|
| 15 | 532 13 43-00 | Spacer Split 28x 96 Yel Zinc |
| 16 | 532 12 12-50 | Spring Cprsn 1 27 Blk Pnt |
| 17 | 532 12 39-76 | Nut Lock 1/4 Lge Flg Gr 5 Zinc |
| 21 | 532 17 18-52 | Bolt Shoulder 5/16-18 Unc-2A |
| 22 | 873 80 05-00 | Nut Hex Lock W/Ins 5/16-18 |
| 23 | 871 11 08-14 | Bolt, Hex Black |
| 24 | 819 17 19-12 | Washer 17/32 X 1-3/16 X 12 Ga. |
| 25 | 532 12 70-18 | Bolt Shoulder 5/16-18 X 62 |
| 26 | 810 04 08-00 | Washer Lock |

NOTE: All component dimensions given in U.S. inches.
1 inch = 25.4 mm

REPAIR PARTS

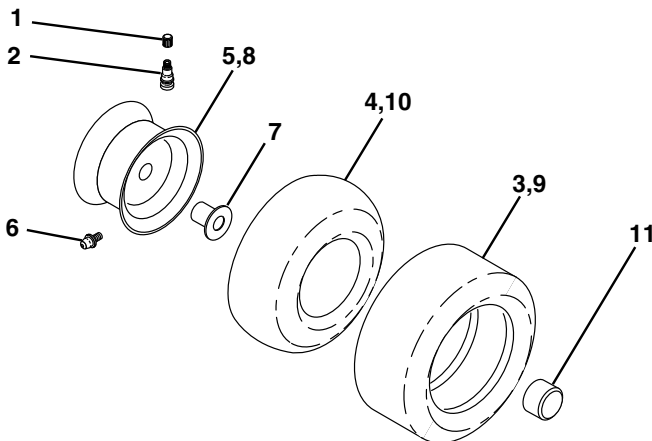
TRACTOR - - MODEL NO. LT1538 (LT1538C), PRODUCT NO. 954 56 97-76
DECALS



| KEY NO. | PART NO. | DESCRIPTION |
|---------|--------------|------------------------------|
| 1 | 532 15 63-69 | Decal Oper. Step Thru Eng/Fr |
| 3 | 532 18 51-92 | Decal Hood RH |
| 4 | 532 18 51-93 | Decal Hood LH |
| 5 | 532 18 09-41 | Decal Hood Cust. |
| 6 | 532 18 58-35 | Decal Engine |
| 7 | 532 18 51 44 | Decal Replacement |
| 8 | 532 17 05-63 | Decal Warning |
| 9 | 532 17 68-22 | Decal Fender |
| 10 | 532 15 71-40 | Decal Fender Danger Eng/Fr |

| KEY NO. | PART NO. | DESCRIPTION |
|---------|--------------|--------------------------------|
| 14 | 532 13 68-32 | Decal V-Belt Schematic |
| 20 | 532 14 50-05 | Decal Bat Dan/Psn |
| -- | 532 13 83-11 | Decal Handle Lft Height Adjust |
| -- | 532 17 12-85 | Pad Footrest RH |
| -- | 532 17 12-84 | Pad Footrest LH |
| -- | 532 18 64-32 | Manual Owner's (English) |
| -- | 532 18 64-33 | Manual Owner's (French) |

WHEELS & TIRES



| KEY NO. | PART NO. | DESCRIPTION |
|---------|--------------|-----------------------------------|
| 1 | 532 05 91-92 | Cap Valve Tire |
| 2 | 532 06 51-39 | Stem Valve |
| 3 | 532 10 62-22 | Tire F Ts 15 X 6 0 - 6 Service |
| 4 | 532 05 99-04 | Tube Front (Service Item Only) |
| 5 | 532 13 83-36 | Rim Asm 6"front Silver Service |
| 6 | 532 12 49-57 | Fitting Grease (Front Wheel Only) |
| 7 | 532 12 49-59 | Bearing Flange (Front Wheel Only) |
| 8 | 532 13 83-37 | Rim Asm 8"rear Silver Service |
| 9 | 532 12 46-35 | Tire R Ts 18 x 8 5-8 C Service |
| 10 | 532 12 49-26 | Tube Rear (Service Item Only) |
| 11 | 532 17 50-39 | Cap Axle Blk 1 50 X 1 00 |
| -- | 532 14 43-34 | Sealant, Tire (10 oz. Tube) |

NOTE: All component dimensions given in U.S. inches
1 inch = 25.4 mm

REPAIR PARTS

TRACTOR - - MODEL NO. LT1538 (LT1538C), PRODUCT NO. 954 56 97-76
ENGINE

| KEY NO. | PART NO. | DESCRIPTION |
|---------|--------------|--|
| 1 | 532 17 08-05 | Control Th/ch Flag |
| 2 | 817 72 04-08 | Screw Hex Thd Cut 1/4-20 x 1/2 |
| 3 | ----- | Engine, Kohl CV460 (Order parts from engine manufacturer) |
| 4 | 532 17 46-67 | Muffler |
| 13 | 532 16 38-31 | Gasket Eng |
| 14 | 532 14 84-56 | Tube Drain Oil Easy |
| 16 | 811 05 06-00 | Washer Lock Ext Tooth 3/8 |
| 23 | 532 16 98-37 | Shield Brn/Dbr Guard |
| 29 | 532 13 71-80 | Kit Spark Arrestor (Flat Scrn) |
| 31 | 532 18 49-00 | Tank Fuel Front |
| 32 | 532 14 05-27 | Cap Asm Fuel W/sym Vented |
| 33 | 532 12 34-87 | Clamp Hose Black |
| 37 | 532 13 70-40 | Line Fuel 20" |
| 38 | 532 18 16-54 | Plug Drain Oil Easy |
| 40 | 532 12 40-28 | Bushing Snap Nyl Blk Fuel Line |
| 44 | 817 67 04-12 | Screw Hexwsh Thdrol 1/4-20 x 3/4 |
| 45 | 817 00 06-12 | Screw Hexwsh Thdr 3/8-16 x 3/4 |
| 46 | 819 09 14-16 | Washer 9/32 x 7/8 x 16 Ga |
| 77 | 819 10 12-16 | Washer 5/16 x 3/4 x 16 Ga. |
| 80 | 874 76 05-08 | Bolt Hex Hd 5/16-18unc x 1/2 |
| 101 | 532 16 33-05 | Nut Flange M8-1.25 |
| 105 | 817 12 06-16 | Screw 3/8-16 x 1 |

NOTE: All component dimensions given in U.S. inches
1 inch = 25.4 mm

REPAIR PARTS

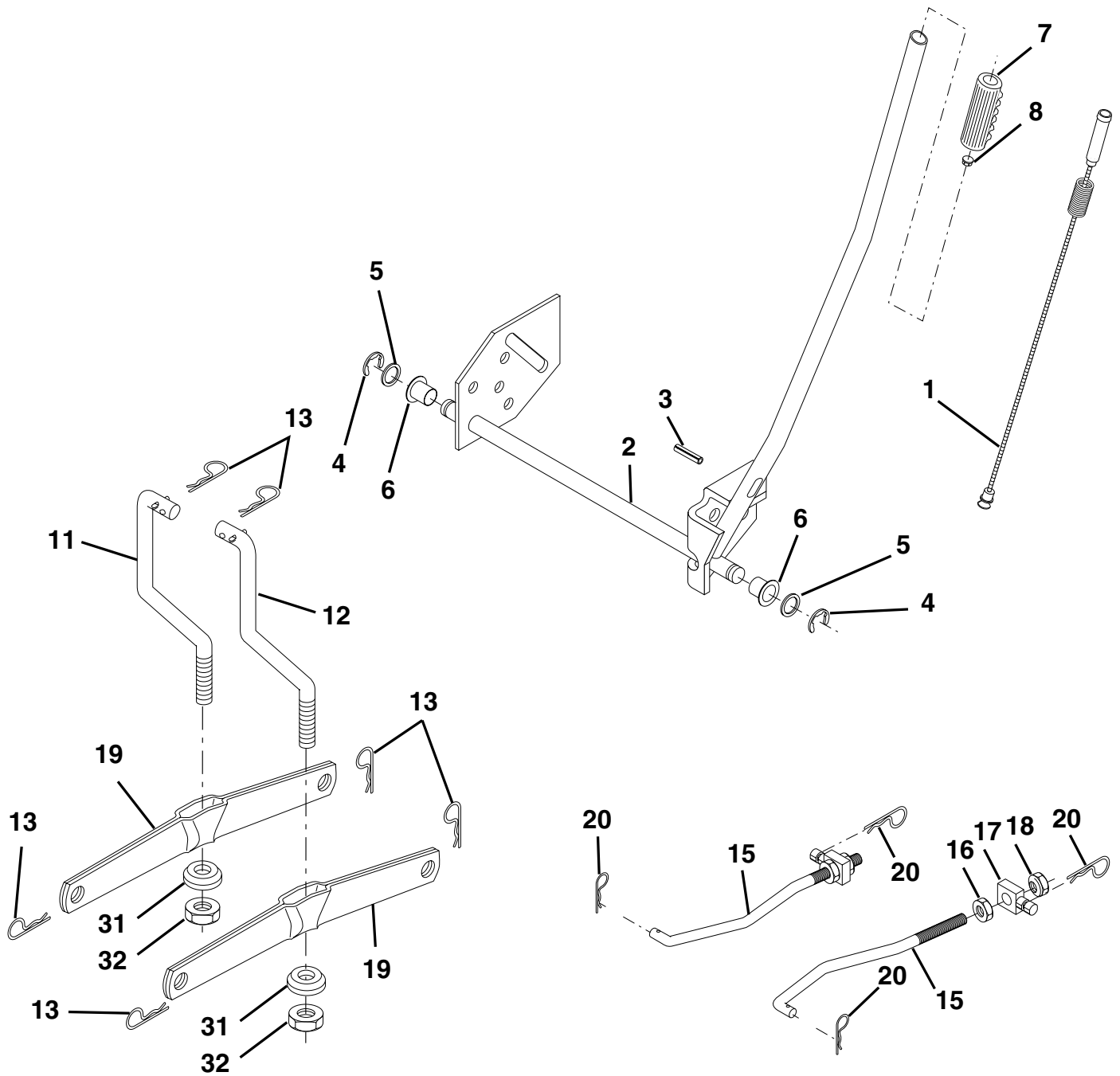
TRACTOR - - MODEL NO. LT1538 (LT1538C), PRODUCT NO. 954 56 97-76 MOWER DECK

| KEY NO. | PART NO. | DESCRIPTION | KEY NO. | PART NO. | DESCRIPTION |
|---------|--------------|--|---------|--------------|--|
| 1 | 532 17 02-80 | Mower Deck Assembly | 68 | 532 14 42-00 | Belt |
| 2 | 872 14 05-06 | Bolt | 69 | 876 02 03-12 | Pin, Cotter 3/32 x 3/4 |
| 3 | 532 13 80-17 | Bracket Assembly, Sway Bar | 86 | 532 12 50-74 | Runner LH |
| 4 | 532 16 99-70 | Bracket Sway Bar | 87 | 532 12 87-72 | Runner RH |
| 5 | 532 12 46-70 | Retainer Spring | 88 | 819 11 12-16 | Washer 11/32 x 3/4 x 16 Ga. |
| 6 | 532 17 80-24 | Bar Sway Deck | 89 | 819 13 16-12 | Washer 13/32 x 1 x 12 Ga |
| 8 | 532 85 08-57 | Bolt, Hex 3/8-24 x 1.25 Gr. 8 | 92 | 873 80 06-00 | Nut Lock Hex 3/8-16 |
| 9 | 810 03 06-00 | Washer, Lock Hvy Hlcl 3/8 | 96 | 873 93 06-00 | Nut Centerlock 3/8-16 unc |
| 10 | 532 14 02-96 | Washer, Hardened | 97 | 874 93 06-20 | Bolt 3/8-16 x 1-1/4 |
| | | (The following blades are available) | 98 | 819 13 20-16 | Washer 13/32 x 1-1/4 x 16 Ga. |
| 11 | 532 13 41-48 | Blade, 38" Mulching Std (For mulching mowers only) | 99 | 810 04 06-00 | Washer Lock 3/8 |
| | 532 13 97-74 | Blade, 38" Mulching Premium (For better war when mulching) | 100 | 532 13 56-51 | Nut Wing |
| | 532 13 84-97 | Blade, 38" Hi'Lift (For bagging and discharging) | 101 | 532 13 28-03 | Cover Asm. Mulching |
| 13 | 532 13 76-45 | Shaft Assembly, Mandrel, Vented | 107 | 532 13 35-02 | Spacer, Retainer |
| 14 | 532 12 87-74 | Housing, Mandrel, Vented | 108 | 532 13 35-03 | Stiffener, Idler Arm |
| 15 | 532 11 04-85 | Bearing, Ball, Mandrel | 109 | 874 76 06-40 | Bolt Hex Fin 3/8-16 Unc x 2-1/2 |
| 16 | 532 17 44-93 | Stripper, Mower Deck | 110 | 532 14 25-87 | Upstop Deck Front |
| 19 | 532 13 28-27 | Bolt, Shoulder | 113 | 817 06 05-12 | Screw Thdrol 5/16-18 x 3/4 |
| 21 | 873 68 05-00 | Nut Crownlock 5/16-18 | 122 | 532 13 12-89 | Rod, Brake, LH |
| 23 | 532 13 76-07 | Bracket, Mower Deflector | 123 | 532 16 99-71 | Rod, Brake, RH |
| 24 | 532 10 53-04 | Cap, Sleeve | 129 | 819 13 13-12 | Washer 13/32 x 13/16 x 12 Ga. |
| 25 | 532 12 37-13 | Spring, Torsion, Deflector | 130 | 874 78 06-16 | Bolt Fin Hex 3/8-16 x 1.0 |
| 26 | 532 11 04-52 | Nut, Push | 131 | 872 14 06-08 | Bolt RDHD 3/8-16 x 1 |
| 27 | 532 17 59-43 | Shield, Deflector | 146 | 532 16 58-91 | Bolt Carriage Idler |
| 28 | 819 11 10-16 | Washer 11/32 x 5/8 x 16 Ga. | 148 | 532 16 90-22 | Spring Return Idler |
| 29 | 532 10 67-35 | Rod, Hinge | 149 | 532 16 58-98 | Retainer Spring Yellow Zinc |
| 30 | 532 17 39-84 | Screw Thdrol Hex | 150 | 819 09 12-16 | Washer 9/32 x 3/4 x 16 Ga. |
| 31 | 532 12 99-63 | Washer, Spacer | 151 | 532 16 96-70 | Bracket Clutch |
| 32 | 532 15 35-32 | Pulley, Mandrel | 152 | 532 17 27-58 | Cable Clutch |
| 33 | 532 17 83-42 | Nut, Toplock, Flanged | 153 | 532 16 96-74 | Washer Flat 3/8" Type B |
| 36 | 532 13 14-94 | Pulley, Idler, Flat | 154 | 532 16 96-75 | Spring Retainer |
| 40 | 873 68 06-00 | Nut Crownlock 3/8-16 | 155 | 532 16 96-71 | Spring Retention Lever |
| 45 | 532 12 47-88 | Retainer, Spring | 156 | 532 16 96-72 | Spacer |
| 53 | 532 13 08-40 | Brake Assembly | 157 | 532 16 96-69 | Rod Clutch |
| 54 | 532 17 85-15 | Washer, Hardened | 158 | 817 72 04-08 | Screw Hex Thd Cut 1/4-20 x 1/2 |
| 55 | 532 13 38-40 | Idler Arm Assembly | -- | 532 13 07-94 | Mandrel Assembly (Includes Housing, Shaft and Shaft Hardware Only-Pulley Not Included) |
| 56 | 532 16 57-23 | Spacer, Retainer | -- | 532 17 15-91 | Replacement Mower, Complete |
| 67 | 532 10 69-32 | Knob RD 3/8-16 Plstc Thd | | | |

NOTE: All component dimensions given in U.S. inches
1 inch = 25.4 mm

REPAIR PARTS

TRACTOR - - MODEL NO. LT1538 (LT1538C), PRODUCT NO. 954 56 97-76
MOWER LIFT



REPAIR PARTS

TRACTOR - - MODEL NO. LT1538 (LT1538C), PRODUCT NO. 954 56 97-76
MOWER LIFT

| KEY NO. | PART NO. | DESCRIPTION |
|---------|--------------|------------------------------|
| 1 | 532 15 94-60 | Wire Asm Inner W/plunger LT |
| 2 | 532 15 94-71 | Shaft Asm Lift |
| 3 | 532 10 57-67 | Pin Groove |
| 4 | 812 00 00-02 | E Ring #5133-62 |
| 5 | 819 21 16-21 | Washer PLTD 21/32 X 1 X 21ga |
| 6 | 532 12 01-83 | Bearing Nylon Blk 629 Id |
| 7 | 532 10 94-13 | Grip Handle Bicycle |
| 8 | 532 12 45-26 | Button Plunger |
| 11 | 532 13 98-65 | Link Lift LH |
| 12 | 532 13 98-66 | Link Lift RH |
| 13 | 532 12 46-70 | Retainer Spring |
| 15 | 532 17 32-88 | Link Front |
| 16 | 873 35 08-00 | Nut Jam Hex 1/2-13 Unc |
| 17 | 532 17 56-89 | Trunnion |
| 18 | 873 80 08-00 | Nut Lock W/Wsh 1/2-13 Unc |
| 19 | 532 13 98-68 | Arm Suspension Rear |
| 20 | 532 16 35-52 | Spring, Retainer |
| 31 | 532 16 98-65 | Bearing Pvt. Lift |
| 32 | 873 54 06-00 | Nut Crownlock 3/8-24 |

NOTE: All component dimensions given in U.S. inches
1 inch = 25.4 mm