

42" (QUICK LIFT) MULCHING INSTRUCTIONS FOR: Zero Turn Small Frame Rider

INSTALLATION INSTRUCTIONS FOR THE FOLLOWING KIT & MODELS:

<u>KIT PART NO.-</u> 539105366	
968999127	ZKWQL42171
968999170	ZKWQL42172
968999172	

To ensure acceptable mulching performance, the following guidelines must be followed:

1. The amount of grass that is to be cut off in one pass should not exceed 1/3 of the total grass height. Example: If the grass height is 3" you should not have your mower deck cutting height set less than 2".
2. Ground speed should normally be reduced to allow clippings to be finely mulched.
3. Engine RPM should be set at maximum.
4. Blades must be kept sharp.
5. The underside of deck should be cleaned out often to prevent grass accumulation.
6. Conditions must be dry. Wet grass does not mulch well and grass will accumulate under deck.

IMPORTANT: BEFORE PROCEEDING, PLACE ALL CONTROLS IN THE DISENGAGED OR THE OFF POSITION, REMOVE SPARK PLUG WIRES FROM THE SPARK PLUGS. REMOVE FOOT PLATE.

Installation Instructions:

Step 1: Block the front of the mower up to give access to the underside of the front deck. Then carefully remove the standard blades. Clean any grass out from underneath the deck.

Step 2: In the kit there are two baffle sections (item 1 and 2). Bolt the two sections together in the front using two of the carriage bolts provided. (see fig. 1) NOTE: Position the fasteners as shown in fig. 1.

Step 3: With the discharge chute up and the two sections bolted together, place this baffle assembly up under the deck and install the carriage bolts (item 5) thru the bottom. (see fig. 2)

Step 4: Using the two 5/16C x 4 1/2" bolts (item 9), flanged washers (item 11), and center lock nuts (item 7), fasten the 'V' of the baffle to the deck. (see fig. 2) The flanged washer should be turned so the lip catches the front of the 'V' on the baffle.

Step 5: Using a 5/16C x 1" bolt (item 4), nut (item 7), and washer (item 6) fasten the discharge cover plate to the deck. (see fig. 2)

Step 6: Install the dividers (item 10) on both sides. (see fig. 2)

Step 7: Install the mulching blades (item 8). Rotate the blades by hand and check for clearance of all baffles and deflectors.

Step 8: Make sure all hardware is tight and remove blocks and return the mower to it's normal position.

PARTS LIST

ITEM	PART NO.	QTY.	DESCRIPTION
1.	539103589	1	BAFFLE, 42"
2.	539105365	1	MULCH WLDMT-RT
3.	539990799	12	5/16C X 5/8" CARRIAGE BOLT
4.	539990692	12	5/16 FLAT WASHER
5.	539990184	14	5/16C CENTERLOCK NUT
6.	539103594	3	MULCH BLADE 14 7/8"
7.	539976940	2	HCS 5/16C X 4 1/2"
8.	539105368	2	DIVIDER
9.	539103606	2	FLANGED WASHER

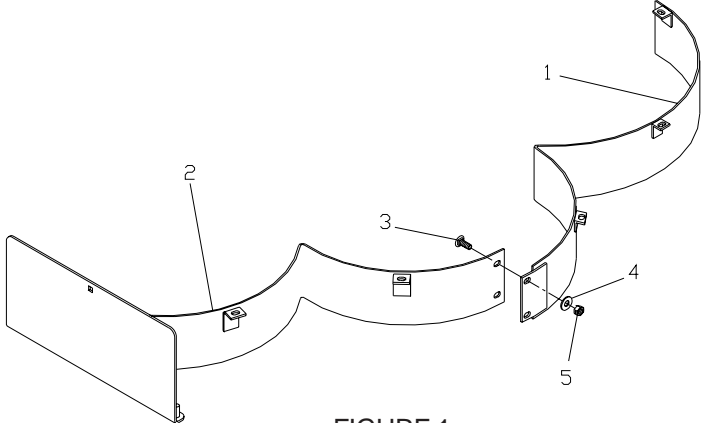


FIGURE 1

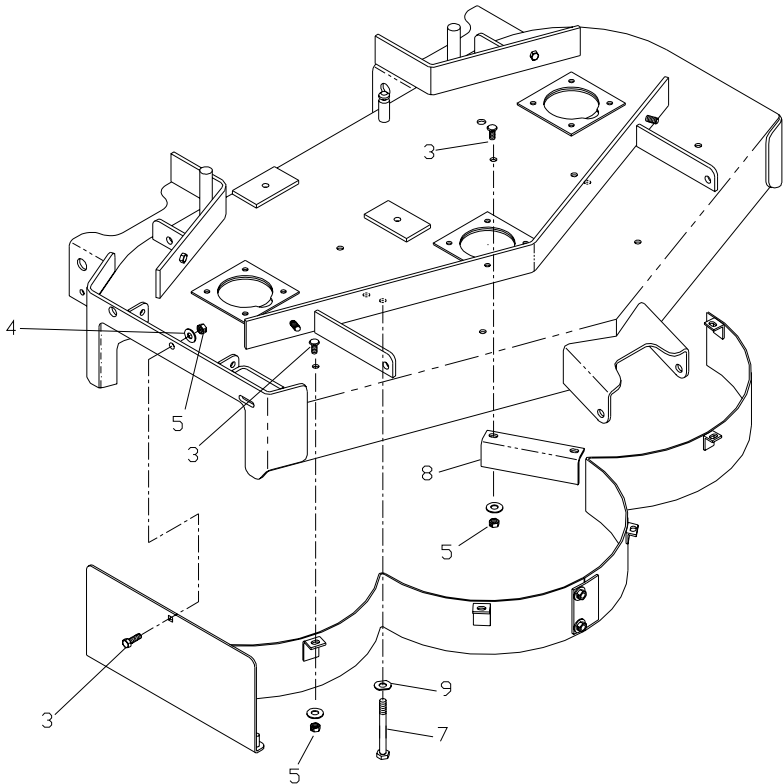


FIGURE 2