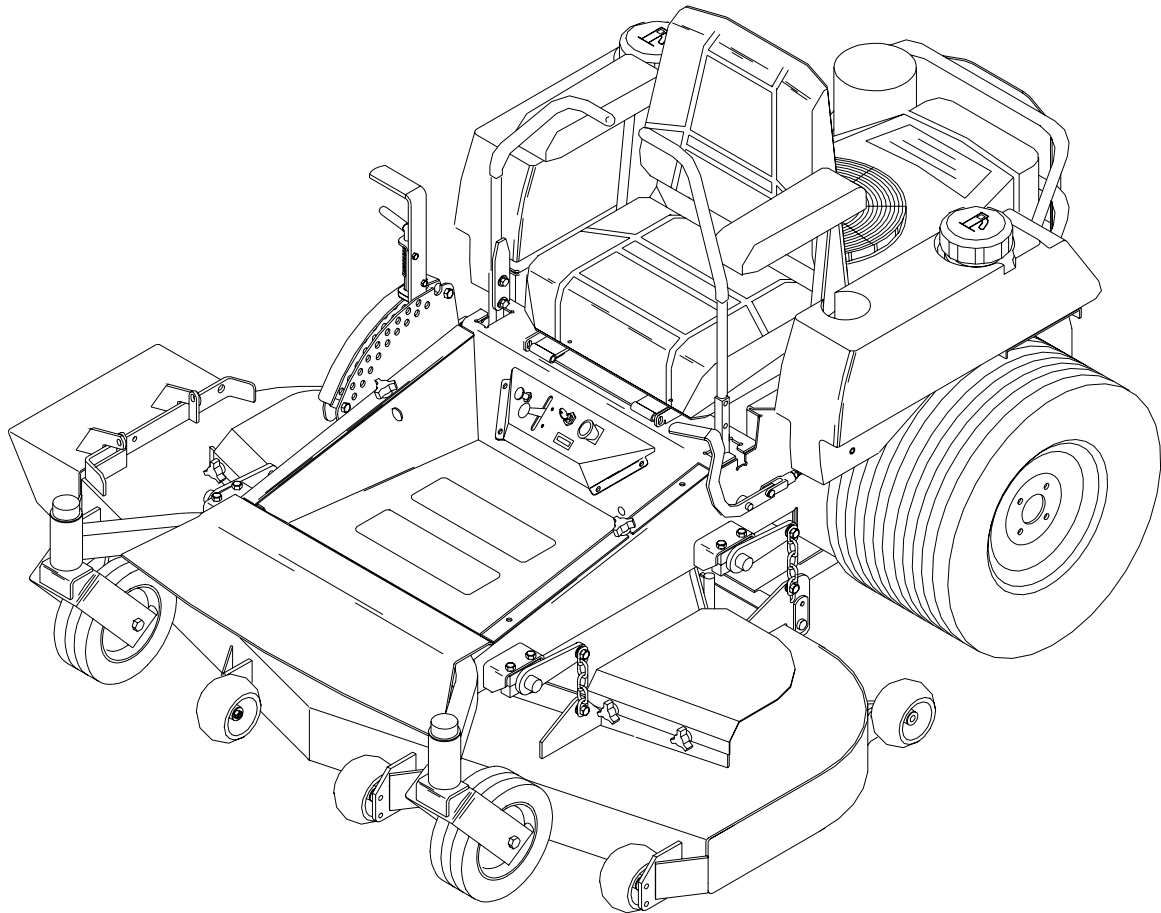


Husqvarna



Parts manual

Models:

968999159 / ZTH5221KAA
968999160 / ZTH5223KAA
968999161 / ZTH5223KOA
968999162 / ZTH5223KOLA
968999163 / ZTH5225KOA
968999165 / ZTH6125KOA
968999166 / ZTH6125KAA
968999171 / ZTH6126KOA
968999173 / ZTH5225KAA

Model number: _____

Serial number: _____

Date of purchase: _____

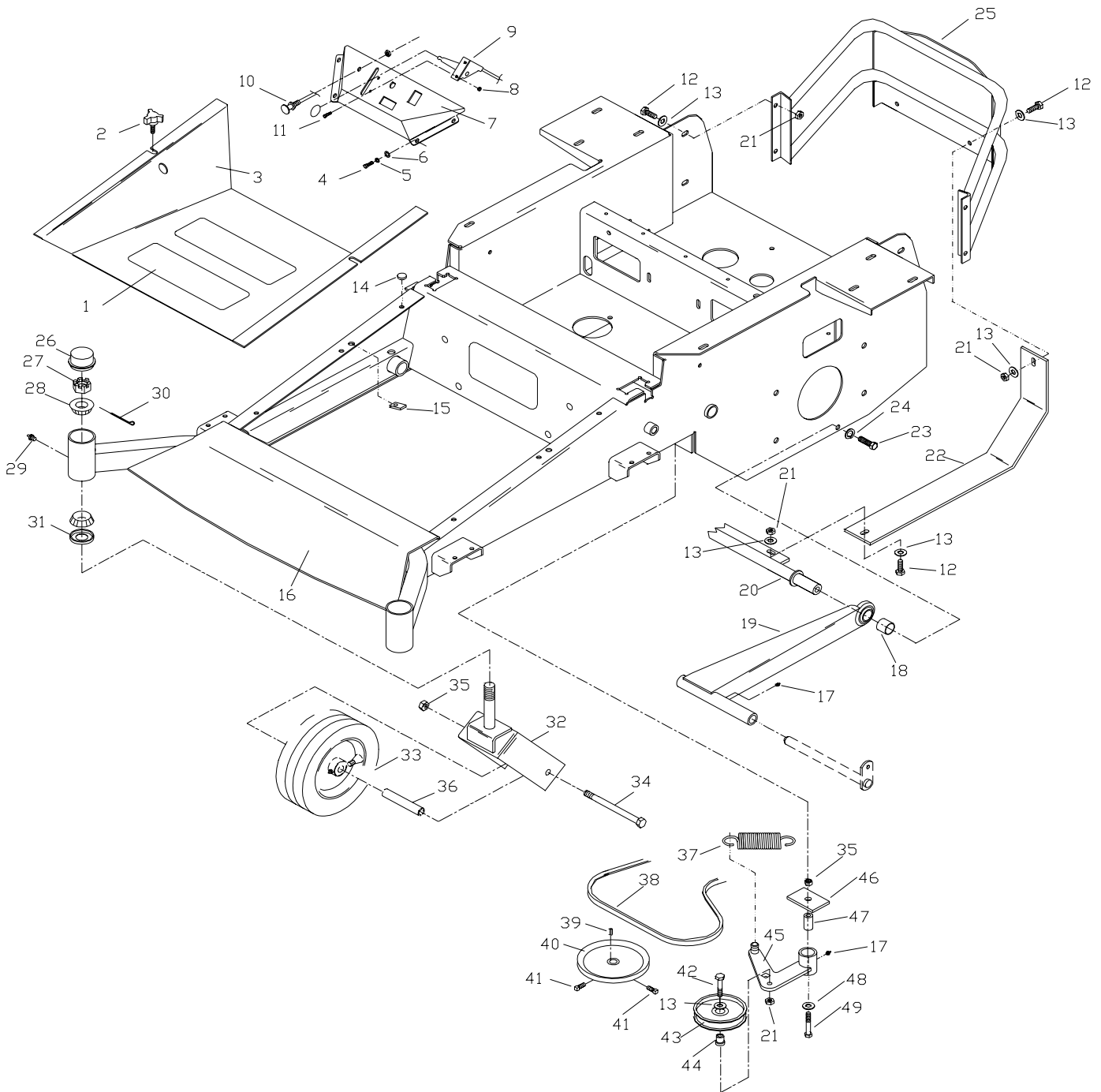
Dealer information: _____

Notes: _____

TABLE OF CONTENTS

| | PAGE |
|---------------------------------|------|
| MAIN FRAME ASSEMBLY | 4 |
| ENGINE ASSEMBLY | 6 |
| EFI ENGINE ASSEMBLY | 8 |
| FRONT DECK ASSEMBLY | 10 |
| MOTION CONTROL ASSEMBLY | 12 |
| DECK LIFT ASSEMBLY | 14 |
| PARK BRAKE ASSEMBLY | 16 |
| HYDRAULIC SYSTEM ASSEMBLY | 18 |
| FUEL ASSEMBLY | 20 |
| EFI FUEL ASSEMBLY | 22 |
| SEAT ASSEMBLY | 24 |
| SUSPENSION SEAT ASSEMBLY | 26 |
| WIRING ASSEMBLY | 28 |
| DECAL PLACEMENT ASSEMBLY | 30 |

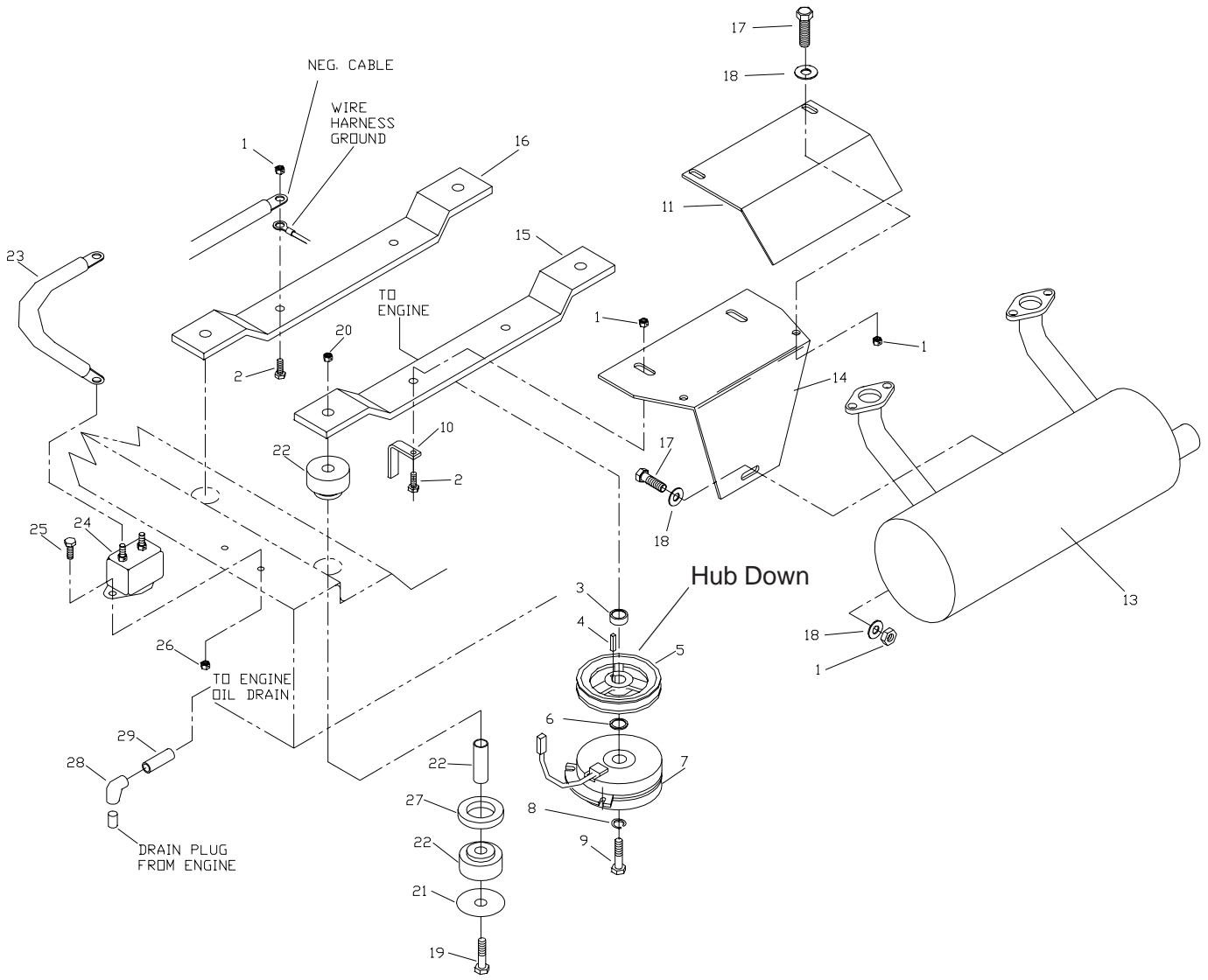
MAIN FRAME ASSEMBLY



MAIN FRAME ASSEMBLY

| ITEM | PART NO. | QTY. | DESCRIPTION | ITEM | PART NO. | QTY. | DESCRIPTION |
|------|-----------|------|---------------------|------|-----------|------|-------------------------|
| 1 | 539977778 | 3 | ANTI-SKID PAD | 29 | 539101474 | 2 | DRIVE IN ZERK |
| 2 | 539104411 | 2 | KNOB W/ STUD | 30 | 539102889 | 2 | COTTER PIN 1/8 X 2" |
| 3 | 539104721 | 1 | FOOT PLATE | 31 | 539102851 | 2 | SEAL |
| 4 | 539990580 | 4 | HCS 1/4C X 3/4" | 32 | 539104571 | 2 | YOKE, CASTER |
| 5 | 539990052 | 4 | 1/4" LOCK WASHER | 33 | 539104572 | 2 | TIRE & WHEEL ASM. |
| 6 | 539990598 | 4 | 1/4" FLAT WASHER | | 539104573 | 1 | RIM |
| 7 | 539105151 | 1 | CONSOLE W/ DECAL | | 539102546 | 1 | TIRE |
| 8 | 539976977 | 2 | # 10-24 NYLOC NUT | | 539976997 | 1 | ZERK |
| 9 | 539102732 | 1 | THROTTLE CABLE | | 539102484 | 2 | FLANGE BEARING |
| 10 | 539102733 | 1 | CHOKE CABLE | | 539912234 | 1 | AIR VALVE |
| 11 | 539990411 | 2 | #10-24 X 1/2" HCS | | 539102485 | 2 | 2.5" ROLLER BEARING |
| 12 | 539990563 | 8 | HCS 3/8C X 1" | 34 | 539102855 | 2 | HCS 1/2-13 X 7.5" GD. 5 |
| 13 | 539990517 | 13 | 3/8 FLAT WASHER | 35 | 539101331 | 3 | 1/2C NYLOC NUT |
| 14 | 539102587 | 6 | BUMPER | 36 | 539102856 | 2 | SPACER, CASTER |
| 15 | 539104763 | 2 | "U" CLIP | 37 | 539103256 | 1 | SPRING |
| 16 | 539105148 | 1 | MAIN FRAME W/DECALS | 38 | 539104334 | 1 | PUMP BELT |
| 17 | 539976998 | 3 | ZERK | 39 | 539101177 | 2 | 5MM X 25MM KEY SQ. |
| 18 | 539104521 | 2 | STRUT SPACER | 40 | 539101176 | 2 | PULLEY |
| 19 | 539104390 | 2 | STRUT | 41 | 539102717 | 4 | 5/16C X 5/8 SET SCREW |
| 20 | 539104332 | 1 | CROSS SHAFT | 42 | 539990730 | 1 | HCS 3/8C X 1.75 |
| 21 | 539990546 | 9 | 3/8C CENTERLOCK | 43 | 539976688 | 1 | IDLER PULLEY |
| 22 | 539105022 | 2 | SKID PLATE | 44 | 539976695 | 1 | IDLER FLANGE BUSHING |
| 23 | 539100143 | 2 | HCS 7/16C X 1" | 45 | 539104388 | 1 | IDLER ARM |
| 24 | 539990247 | 2 | 7/16 LOCK WASHER | 46 | 539102236 | 1 | SUPPORT PLATE |
| 25 | 539104329 | 1 | REAR GUARD | 47 | 539103427 | 1 | PIVOT BUSHING |
| 26 | 539102535 | 2 | CAP, GREASE | 48 | 539990550 | 1 | 1/2 FLAT WASHER |
| 27 | 539102852 | 2 | CASTLE NUT 1" C | 49 | 539103433 | 1 | HCS 1/2C X 3.25 GD. 5 |
| 28 | 539102626 | 4 | BEARING W/CUP | | | | |

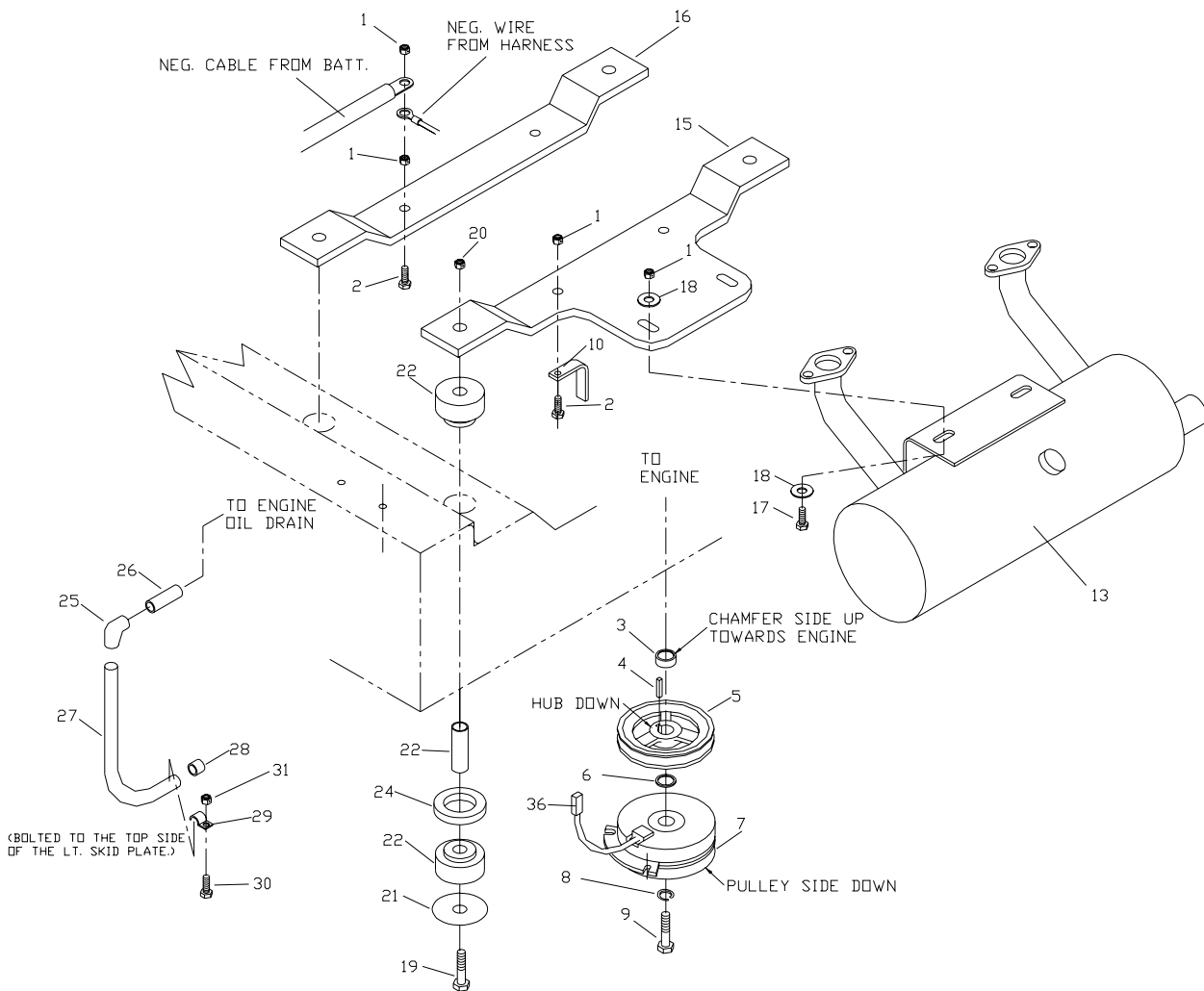
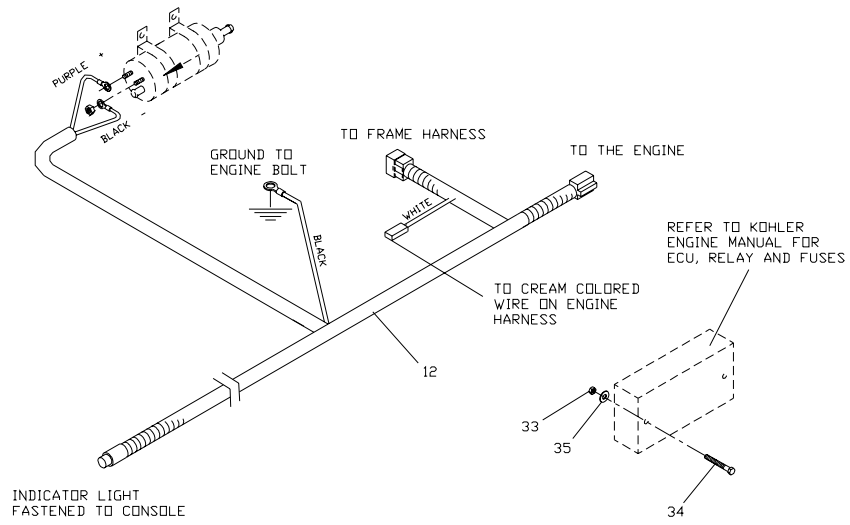
ENGINE ASSEMBLY



ENGINE ASSEMBLY

| ITEM | PART NO. | QTY. | DESCRIPTION |
|------|-----------|------|---------------------------------------|
| 1 | 539990184 | 7 | NUT 5/16C CTR. LOCK |
| 2 | 539990669 | 4 | HCS 5/16C X 1.75 |
| 3 | 539104427 | 1 | SPACER |
| 4 | 539105308 | 1 | KEY 1/4SQ. X 1.0 |
| 5 | 539104429 | 1 | PULLEY |
| 6 | 539104428 | 1 | SPACER |
| 7 | 539104515 | 1 | ELECTRIC CLUTCH |
| 8 | 539990427 | 1 | 7/16 LOCKWASHER |
| 9 | 539991120 | 1 | HCS 7/16F X 2.5 |
| 10 | 539103251 | 1 | CLUTCH TIE DOWN |
| 11 | 539105047 | 1 | MUFFLER GUARD (KAW.) |
| 12 | 539104416 | 1 | KOHLER PIGTAIL |
| | 539104415 | 1 | KAWASAKI PIGTAIL |
| 13 | 539104956 | 1 | MUFFLER, KOHLER |
| | 539104957 | 1 | MUFFLER, KAWASAKI |
| 14 | 539105048 | 1 | MUFFLER BRACKET |
| 15 | 539105025 | 1 | ENGINE MOUNT |
| 16 | 539105031 | 1 | ENGINE MOUNT |
| 17 | 539976934 | 3 | HCS 5/16C X 3/4 |
| 18 | 539990692 | 6 | 5/16 FLAT WASHER |
| 19 | 539103433 | 4 | HCS 1/2C X 3.25 |
| 20 | 539101331 | 4 | NUT 1/2C NYLOC |
| 21 | 539104959 | 4 | ISOLATOR WASHER |
| 22 | 539104958 | 4 | ISOLATOR |
| 23 | 539102757 | 1 | CABLE, POSITIVE (KAW) |
| 24 | 539101714 | 1 | SOLINOID (KAW) |
| 25 | 539990072 | 2 | HCS 1/4C X 5/8 (KAW) |
| 26 | 539990761 | 3 | 1/4C CTR. LOCK (KAW) |
| 27 | 539105034 | 4 | ISOLATOR SPACER |
| 28 | 539105072 | 1 | ELBOW (KOHLER) |
| 29 | 539105073 | 1 | 3/8 NPT X 1.5 PIPE (KOHLER) |
| 30 | 539105246 | 1 | GAUGE, TEMP. (KOHLER L/C) NOT SHOWN |
| 31 | 539105248 | 1 | GAUGE BRACKET (KOHLER L/C) NOT SHOWN |
| 32 | 539976937 | 1 | HCS 5/16 X 2 (KOHLER L/C) NOT SHOWN |
| 33 | 539990053 | 1 | 1/4 INT. TOOTH WASHER (KAW) NOT SHOWN |
| 34 | 539105409 | 1 | GROUND WIRE (KAW) NOT SHOWN |
| 35 | 539105395 | 1 | OIL DRAIN HOSE (KAW) NOT SHOWN |
| | 539101362 | 1 | OIL DRAIN HOSE (KOHLER) NOT SHOWN |
| 36 | 539102685 | 1 | LOOM CLIP (KAW) NOT SHOWN |
| 37 | 539990580 | 1 | HCS 1/4C X 3/4 (NOT SHOWN) |
| 38 | 539101364 | 1 | OIL DRAIN CAP (KOHLER) NOT SHOWN |
| 39 | 539101363 | 1 | CLAMP (KOHLER) NOT SHOWN |
| 40 | 539102877 | 1 | OIL DRAIN HOSE CLAMP (KAWASAKI) |

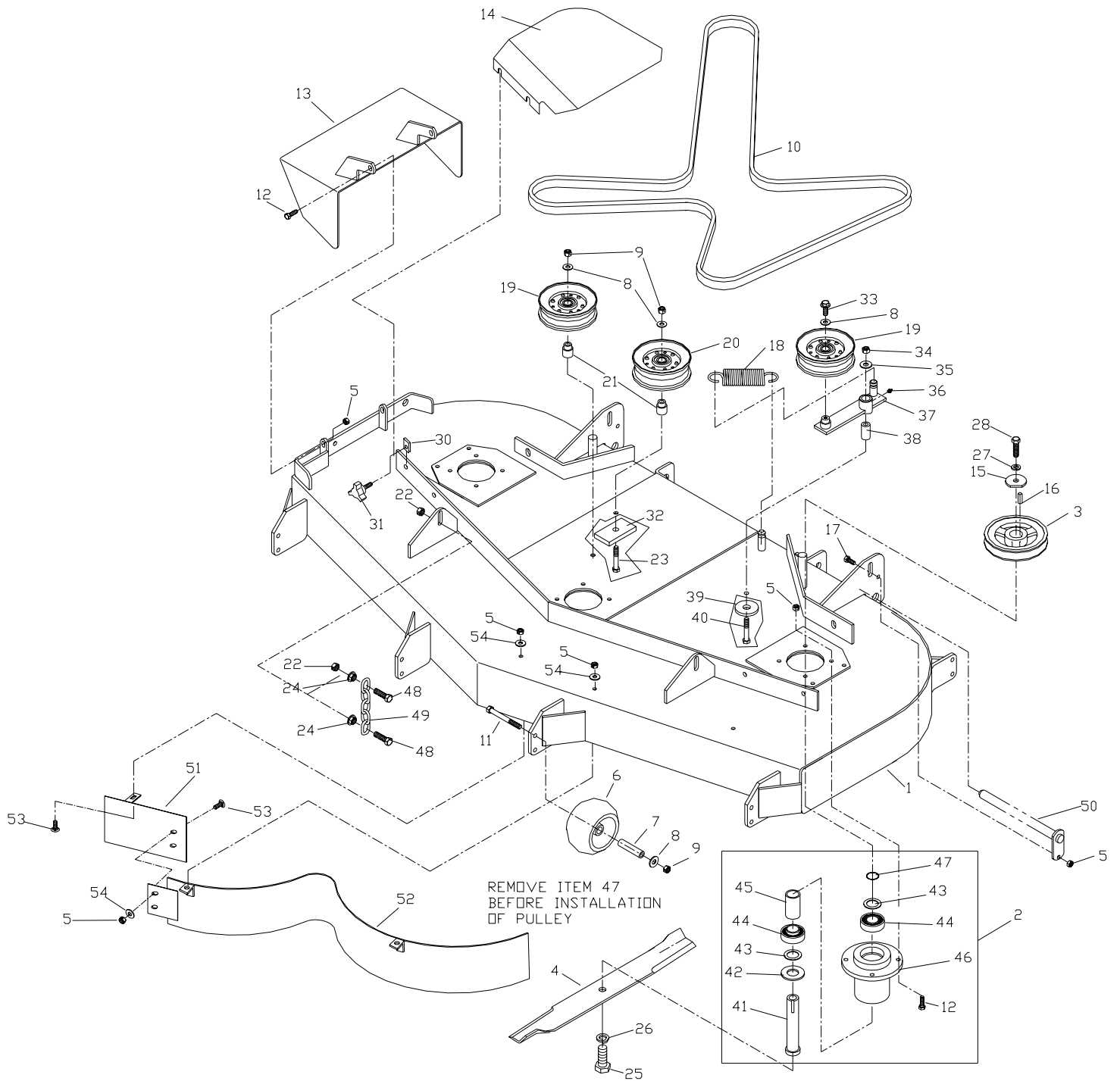
EFI ENGINE ASSEMBLY



EFI ENGINE ASSEMBLY

| ITEM | PART NO. | QTY. | DESCRIPTION |
|------|-----------|------|-------------------------|
| 1 | 539990184 | 6 | NUT 5/16C CTR. LOCK |
| 2 | 539990669 | 4 | HCS 5/16C X 1.75 |
| 3 | 539104427 | 1 | SPACER |
| 4 | 539105308 | 1 | KEY 1/4SQ. X 1.0 |
| 5 | 539104429 | 1 | PULLEY |
| 6 | 539104428 | 1 | SPACER |
| 7 | 539105406 | 1 | ELECTRIC CLUTCH 200 lb. |
| 8 | 539990427 | 1 | 7/16 LOCKWASHER |
| 9 | 539991120 | 1 | HCS 7/16F X 2.5 |
| 10 | 539103251 | 1 | CLUTCH TIE DOWN |
| 12 | 539105333 | 1 | EFI HARNESS |
| 13 | 539105335 | 1 | MUFFLER |
| 15 | 539105410 | 1 | ENGINE MOUNT |
| 16 | 539105025 | 1 | ENGINE MOUNT |
| 17 | 539990209 | 2 | HCS 5/16C X 1 |
| 18 | 539990692 | 4 | 5/16 FLAT WASHER |
| 19 | 539103433 | 4 | HCS 1/2C X 3.25 |
| 20 | 539101331 | 4 | NUT 1/2C NYLOC |
| 21 | 539104959 | 4 | ISOLATOR WASHER |
| 22 | 539104958 | 4 | ISOLATOR |
| 24 | 539105034 | 4 | ISOLATOR SPACER |
| 25 | 539105072 | 1 | ELBOW |
| 26 | 539105073 | 1 | PIPE 3/8 NPT. |
| 27 | 539101362 | 1 | OIL DRAIN HOSE |
| 28 | 539101364 | 1 | OIL DRAIN CAP |
| 29 | 539101363 | 1 | CLAMP |
| 30 | 539990580 | 1 | HCS 1/4C X 3/4 |
| 31 | 539990761 | 1 | NUT 1/4C CTR. LOCK |
| 32 | 539991034 | 3 | SELF TAPPING SCREW |
| 33 | 539976977 | 2 | NUT #10-24 |
| 34 | 539105407 | 2 | #10-24 X 2 |
| 35 | 539105408 | 2 | WASHER #10 |
| 36 | 539105637 | 1 | CLUTCH HARNESS |

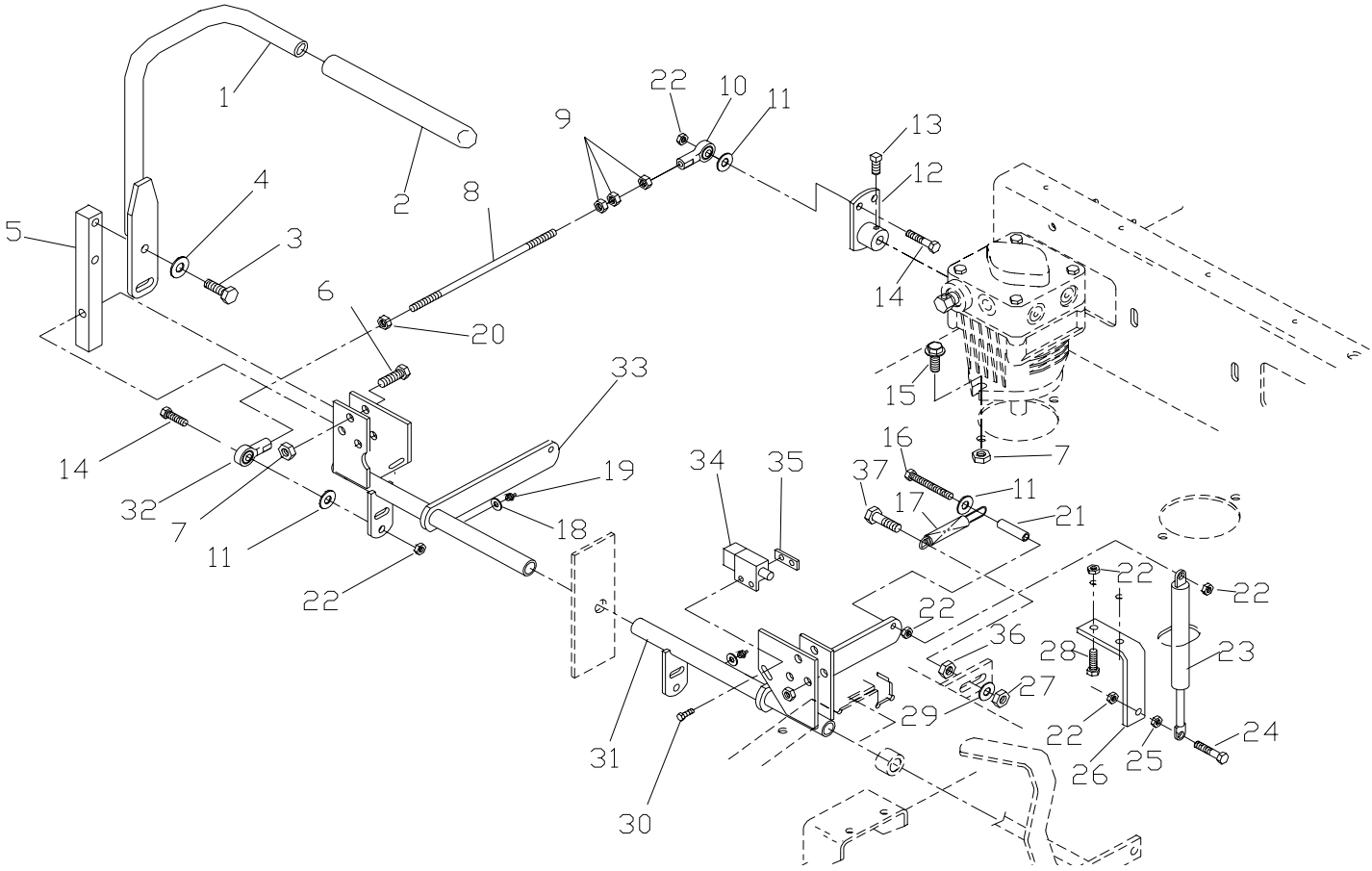
FRONT DECK ASSEMBLY



FRONT DECK ASSEMBLY

| ITEM | PART NO. | QTY. | DESCRIPTION | ITEM | PART NO. | QTY. | DESCRIPTION |
|------|-----------|------|----------------------|------|-----------|------|---------------------|
| 1 | 539105149 | 1 | 61" DECK W/ DECALS | 24 | 539102582 | 8 | 7/16C WHIZ NUT |
| | 539105150 | 1 | 52" DECK W/ DECALS | 25 | 539103299 | 3 | HCS 5/8F X 1.25 |
| 2 | 539104403 | 3 | CUTTER HOUSING ASM. | 26 | 539990333 | 3 | SLW 5/8 |
| 3 | 539104420 | 3 | PULLEY 61" DECK | 27 | 539990247 | 3 | 7/16 LOCK WASHER |
| | 539104421 | 3 | PULLEY 52" DECK | 28 | 539100141 | 3 | HCS 7/16F X 1.5 |
| 4 | 539101733 | 3 | BLADE 21" | 29 | 539105103 | 1 | BELT SHIELD LT. 61" |
| | 539100341 | 3 | BLADE 18" | | 539105105 | 1 | BELT SHIELD LT. 52" |
| 5 | 539990184 | 21 | NUT 5/6C CENTERLOCK | 30 | 539104763 | 6 | "U" CLIP |
| 6 | 539102643 | 6 | ROLLER | 31 | 539104411 | 6 | KNOB W/ STUD |
| 7 | 539102698 | 6 | BUSHING | 32 | 539103303 | 2 | PAD |
| 8 | 539990517 | 9 | WASHER 3/8 STD. | 33 | 539990582 | 1 | HCS 3/8C X 1 SERR. |
| 9 | 539990546 | 8 | NUT 3/8C CENTERLOCK | 34 | 539101331 | 1 | NUT 1/2C NYLOC |
| 10 | 539104336 | 1 | BELT 61" | 35 | 539990550 | 1 | 1/2 FLAT WASHER |
| | 539104335 | 1 | BELT 52" | 36 | 539976998 | 1 | ZERK |
| 11 | 539102754 | 6 | HCS 3/8C X 3.5 | 37 | 539103230 | 1 | IDLER ARM |
| 12 | 539990209 | 14 | HCS 5/16C X 1 | 38 | 539103427 | 1 | PIVOT BUSHING |
| 13 | 539104422 | 1 | DISCHARGE CHUTE | 39 | 539102243 | 1 | SUPPORT WASHER |
| 14 | 539105102 | 1 | BELT SHIELD RT. 61" | 40 | 539103433 | 1 | HCS 1/2C X 3.25 |
| | 539105104 | 1 | BELT SHIELD RT. 52" | 41 | 539104402 | 1 | SPINDLE |
| 15 | 539106504 | 3 | HEAVY WASHER | 42 | 539102675 | 1 | MACH. BUSHING 10GA. |
| 16 | 539101995 | 3 | KEY 1/4SQ. X 1 1/8 | 43 | 539102244 | 2 | MACH. BUSHING 18GA. |
| 17 | 539976934 | 2 | HCS 5/16C X 3/4 | 44 | 539102677 | 2 | BEARING |
| 18 | 539105192 | 1 | SPRING | 45 | 539102676 | 1 | SPACER |
| 19 | 539103257 | 2 | IDLER PULLEY (1.31) | 46 | 539104852 | 1 | HOUSING |
| 20 | 539103258 | 1 | IDLER PULLEY (1.62) | 47 | 539102253 | 1 | "O" RING |
| 21 | 539103295 | 2 | IDLER BUSHING | 48 | 539101175 | 8 | HCS 7/16C X 1.5 |
| 22 | 539990839 | 8 | NUT 7/16C CENTERLOCK | 49 | 539102641 | 4 | LIFT CHAIN |
| 23 | 539990637 | 2 | HCS 3/8C X 2.5 | 50 | 539102619 | 2 | PIVOT PIN |
| | | | | 51 | 539105453 | 1 | CENTER BAFFLE 52" |
| | | | | | 539105461 | 1 | CENTER BAFFLE 61" |
| | | | | 52 | 539105457 | 1 | MAIN BAFFLE 52" |
| | | | | | 539105465 | 1 | MAIN BAFFLE 61" |
| | | | | 53 | 539990799 | 1 | CARRIAGE BOLT |
| | | | | 54 | 539990692 | 5 | 5/16 FLAT WASHER |

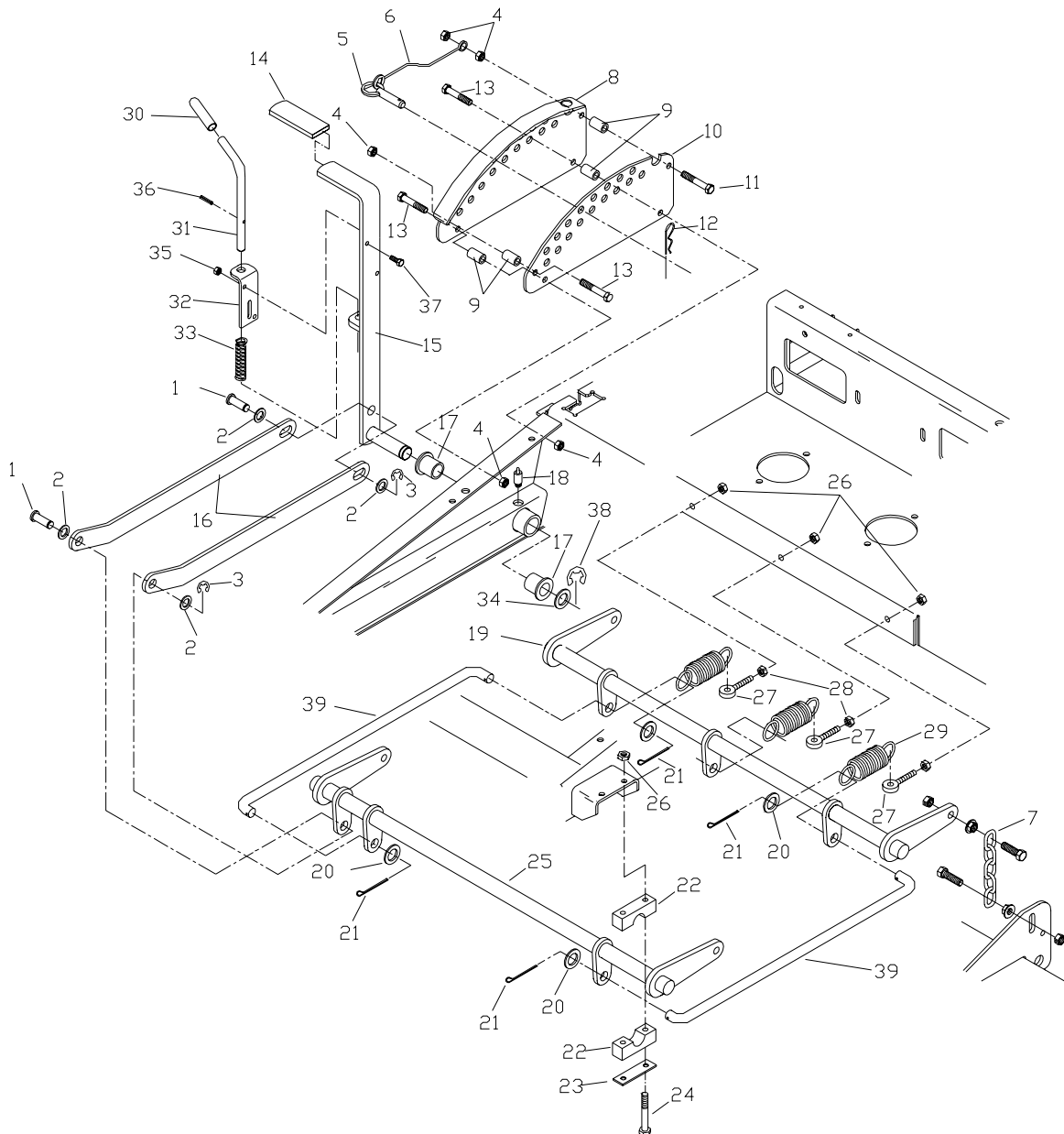
MOTION CONTROL ASSEMBLY



MOTION CONTROL ASSEMBLY

| ITEM | PART NO. | QTY. | DESCRIPTION |
|------|-----------|------|-----------------------|
| 1 | 539104190 | 2 | CONT. LEVER |
| 2 | 539102592 | 2 | GRIP |
| 3 | 539990563 | 4 | HCS 3/8C X 1 |
| 4 | 539102593 | 4 | 3/8 SPRING WASHER |
| 5 | 539102809 | 2 | ARM CONT. SHAFT |
| 6 | 539990655 | 6 | HCS 3/8C X 1 1/2 |
| 7 | 539990546 | 10 | NUT 3/8C CTR. LOCK |
| 8 | 539105279 | 2 | PUMP CONTROL LINK |
| 9 | 539990223 | 6 | NUT 5/16F |
| 10 | 539102590 | 2 | BALL JOINT RT. |
| 11 | 539990692 | 6 | 5/16 FLAT WASHER |
| 12 | 539104382 | 2 | PUMP LEVER |
| 13 | 539105079 | 2 | 5/16C X 5/8 "V" POINT |
| 14 | 539990209 | 4 | HCS 5/16C X 1 |
| 15 | 539990582 | 4 | HCS 3/8C X 1 |
| 16 | 539991055 | 2 | TAPBOLT 5/16C X 2.25 |
| 17 | 539103297 | 2 | REV. DETENT SPRING |
| 18 | 539103547 | 2 | WASHER |
| 19 | 539976998 | 2 | ZERK |
| 20 | 539991073 | 2 | NUT 5/16F LH. |
| 21 | 539104995 | 2 | SPACER |
| 22 | 539990184 | 14 | 5/16C CTR. LOCK |
| 23 | 539102720 | 2 | DAMPENER |
| 24 | 539990627 | 4 | HCS 5/16C X 1.25 |
| 25 | 539990585 | 2 | 5/16C WHIZ NUT |
| 26 | 539105023 | 2 | BRACKET "L" |
| 27 | 539976979 | 2 | 3/8C NYLOC |
| 28 | 539976934 | 4 | HCS 5/16C X 3/4 |
| 29 | 539990517 | 2 | 3/8 FLAT WASHER |
| 30 | 539976952 | 4 | SCREW #10-24 X 5/8 |
| 31 | 539104363 | 1 | CONTROL WLDMT. LEFT |
| 32 | 539102591 | 1 | BALL JOINT LH. |
| 33 | 539104364 | 1 | CONTROL WLDMT. RIGHT |
| 34 | 539101080 | 2 | SWITCH |
| 35 | 539102678 | 2 | TAPPED PLATE |
| 36 | 539990613 | 2 | 3/8C WHIZ NUT |
| 37 | 539990588 | 2 | HCS 3/8C X 2 |
| 38 | 539102685 | 1 | HOSE CLAMP |

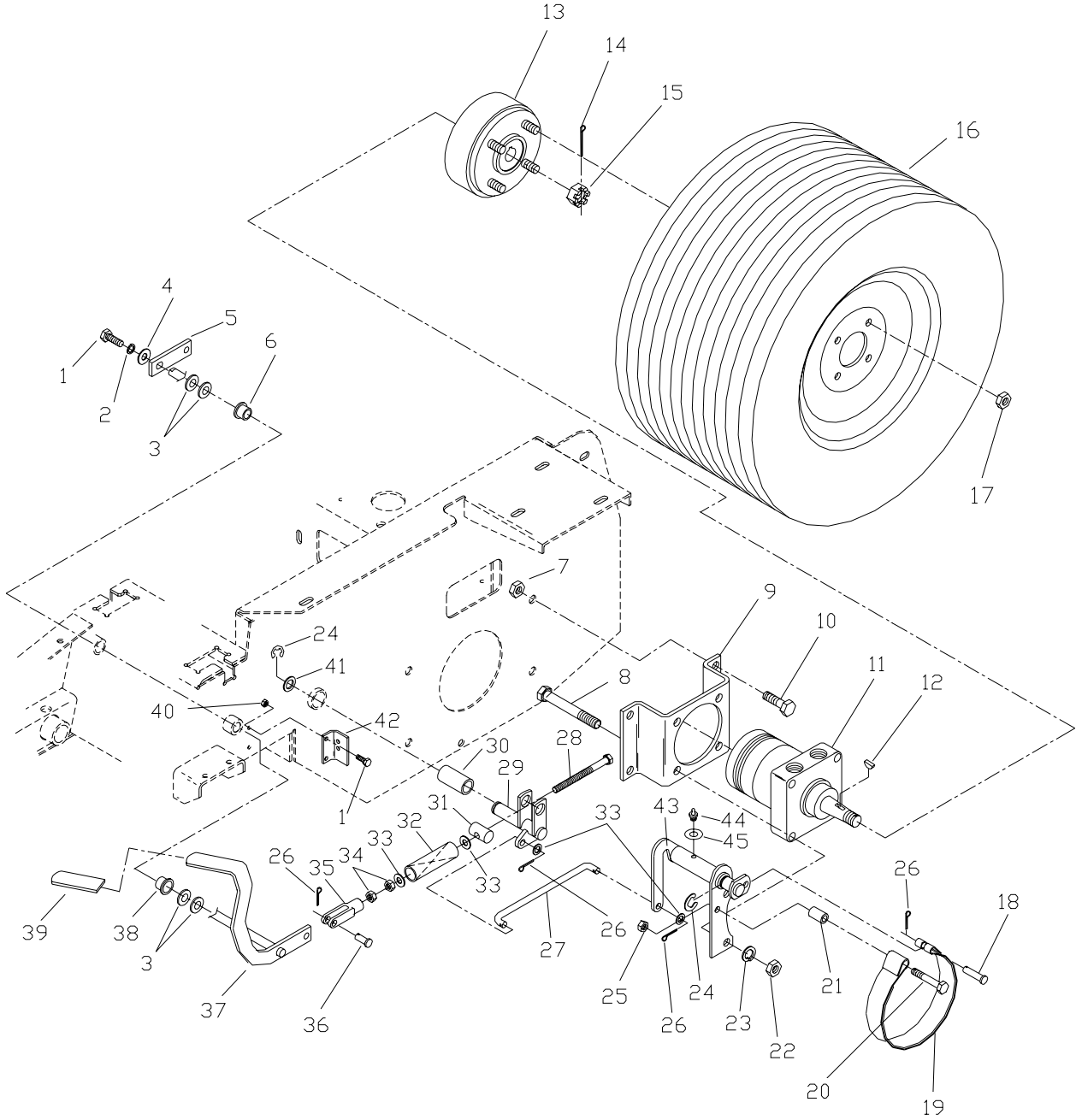
DECK LIFT ASSEMBLY



DECK LIFT ASSEMBLY

| ITEM | PART NO. | QTY. | DESCRIPTION |
|------|-----------|------|---------------------|
| 1 | 539105060 | 2 | CLEVIS PIN |
| 2 | 539991043 | 4 | MACH. BUSHING |
| 3 | 539105069 | 2 | 5/8 E - RING |
| 4 | 539990546 | 5 | NUT 3/8C CTR. LOCK |
| 5 | 539102526 | 1 | HITCH PIN |
| 6 | 539105059 | 1 | LANYARD |
| 7 | 539102641 | 4 | LIFT CHAIN |
| 8 | 539104321 | 1 | ADJ. PLATE WLDMT. |
| 9 | 539104530 | 4 | DECK LIFT SPACER |
| 10 | 539104323 | 1 | ADJ. PLATE PAINTED |
| 11 | 539990637 | 1 | HCS 3/8C X 2.5 |
| 12 | 539976989 | 1 | # 4 HAIR PIN |
| 13 | 539990629 | 3 | HCS 3/8C X 2.25 |
| 14 | 539102515 | 1 | GRIP |
| 15 | 539104320 | 1 | LEVER WLDMT. |
| 16 | 539105050 | 2 | LIFT LINKAGE |
| 17 | 539101232 | 2 | FLANGE BUSHING |
| 18 | 539104761 | 1 | ZERK - LONG |
| 19 | 539104389 | 1 | LIFT SHAFT |
| 20 | 539976982 | 4 | 5/8 SAE WASHER |
| 21 | 539990654 | 4 | COTTER PIN |
| 22 | 539104808 | 8 | PILLOW BLOCK |
| 23 | 539104807 | 4 | SUPPORT PLATE |
| 24 | 539991046 | 8 | HCS 5/16C X 2.5 |
| 25 | 539104424 | 1 | LIFT SHAFT, FRONT |
| 26 | 539990184 | 11 | NUT 5/16C CTR. LOCK |
| 27 | 539101982 | 3 | EYE BOLT |
| 28 | 539990585 | 3 | 5/16C WHIZ NUT |
| 29 | 539104760 | 3 | DECK LIFT SPRING |
| 30 | 539101050 | 1 | GRIP |
| 31 | 539104523 | 1 | PIN |
| 32 | 539103534 | 1 | PIN MT.,UPPER |
| 33 | 539101058 | 1 | SPRING |
| 34 | 539923787 | 1 | MACH. BUSHING |
| 35 | 539990761 | 2 | NUT 1/4C CTR. LOCK |
| 36 | 539101082 | 1 | 3/16 X 1 ROLL PIN |
| 37 | 539990580 | 2 | HCS 1/4C X 3/4 |
| 38 | 539101802 | 1 | 7/8 E - RING |
| 39 | 539104310 | 2 | CONN. LINK |

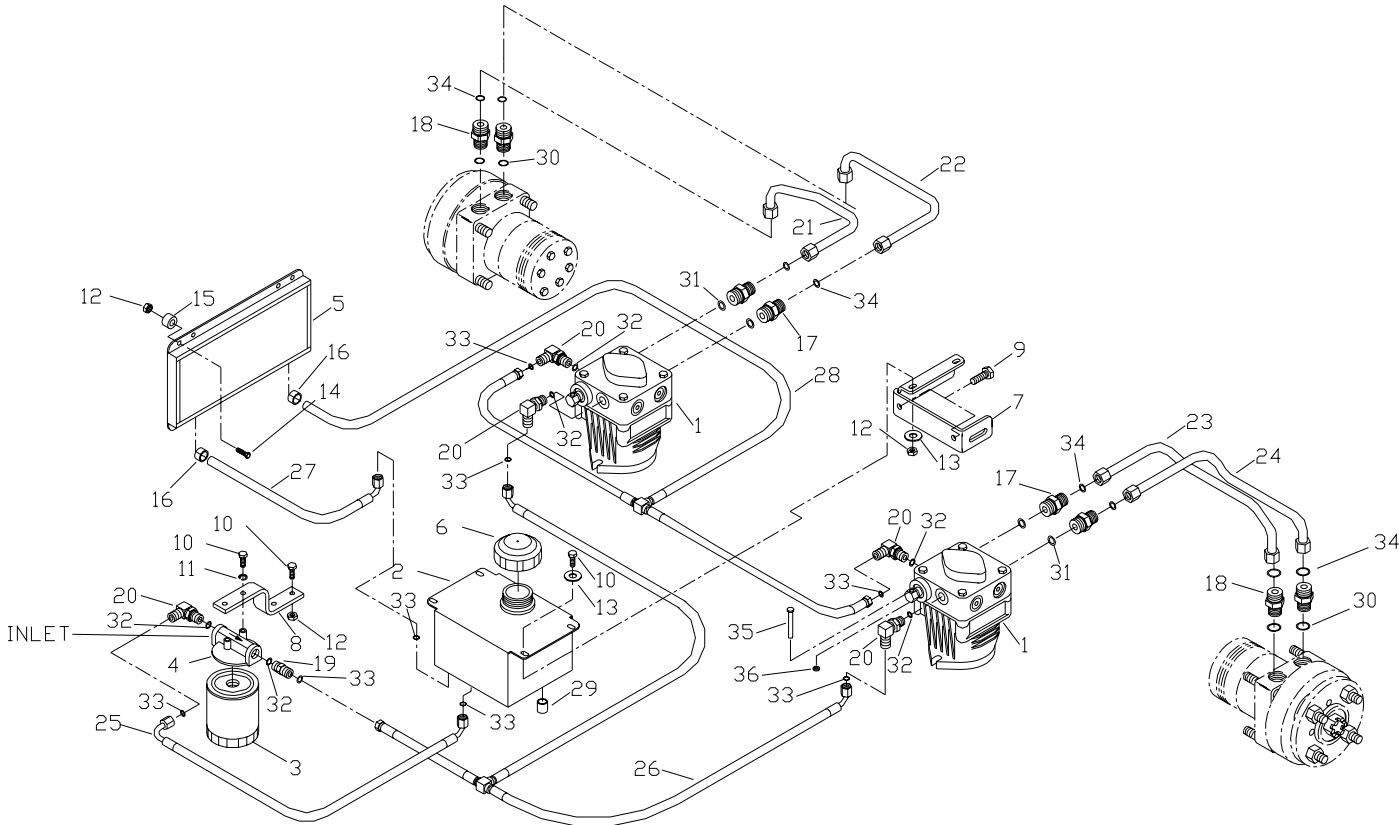
PARK BRAKE ASSEMBLY



PARK BRAKE ASSEMBLY

| ITEM | PART NO. | QTY. | DESCRIPTION | ITEM | PART NO. | QTY. | DESCRIPTION |
|------|-----------|------|-----------------------|------|-----------|------|--------------------|
| 1 | 539990580 | 3 | HCS 1/4C X 3/4 | 23 | 539990254 | 8 | 1/2 LOCK WASHER |
| 2 | 539990052 | 1 | 1/4 LOCK WASHER | 24 | 539102454 | 4 | E - RING 3/4 |
| 3 | 539102843 | 4 | WASHER 7/16 SPRING | 25 | 539990546 | 2 | NUT 3/8C CTR. LOCK |
| 4 | 539990598 | 1 | 1/4 FLAT WASHER | 26 | 539990365 | 8 | COTTER PIN |
| 5 | 539103576 | 1 | ARM, PARK BRAKE | 27 | 539105303 | 1 | BRAKE LINKAGE LT. |
| 6 | 539102519 | 2 | BUSHING | | 539105302 | 1 | BRAKE LINKAGE RT. |
| 7 | 539101331 | 8 | NUT 1/2C NYLOC | 28 | 539104984 | 2 | HCS 3/8F SPECIAL |
| 8 | 539101332 | 8 | HCS 1/2C X 2.75 | 29 | 539105040 | 2 | BELLCRANK |
| 9 | 539104327 | 2 | MOTOR STANDOFF | 30 | 539105044 | 2 | BRONZE BEARING |
| 10 | 539990622 | 8 | HCS 1/2C X 1.25 | 31 | 539102821 | 2 | TRUNION PIN |
| 11 | 539104417 | 2 | WHEEL MOTOR | 32 | 539104986 | 2 | SPRING |
| 12 | 539105278 | 2 | WOODRUFF KEY | 33 | 539990122 | 6 | 3/8 SAE WASHER |
| 13 | 539102415 | 2 | HUB W/ BRAKE DRUM | 34 | 539990155 | 4 | NUT 3/8F |
| 14 | 539990297 | 2 | COTTER PIN | 35 | 539977465 | 2 | YOKE |
| 15 | 539105277 | 2 | CASTLE NUT | 36 | 539977703 | 2 | 3/8 X 1.125 |
| 16 | 539104412 | 2 | REAR TIRE ASSEMBLY | 37 | 539104351 | 1 | BRAKE LEVER WLDMT. |
| | 539105152 | 1 | TIRE | 38 | 539102519 | 2 | BUSHING |
| | 539105153 | 1 | RIM | 39 | 539105036 | 1 | GRIP |
| | 539912234 | 1 | AIR VALVE | 40 | 539990372 | 2 | 1/4C LOCK NUT |
| 17 | 539101173 | 8 | LUG NUT 1/2F | 41 | 539991050 | 2 | MACH. BUSHING 3/4 |
| 18 | 539102455 | 2 | 3/8 X 1.50 CLEVIS PIN | 42 | 539105029 | 1 | BRACKET |
| 19 | 539102822 | 2 | BRAKE BAND | 43 | 539104346 | 1 | LEFT BRAKE BKT. |
| 20 | 539105070 | 2 | HCS 3/8C X 3 GD 8 | | 539104347 | 1 | RIGHT BRAKE BKT. |
| 21 | 539105043 | 2 | SPACER | 44 | 539976998 | 2 | ZERK |
| 22 | 539990258 | 8 | NUT 1/2C | 45 | 539103547 | 2 | WASHER |

HYDRAULIC SYSTEM ASSEMBLY

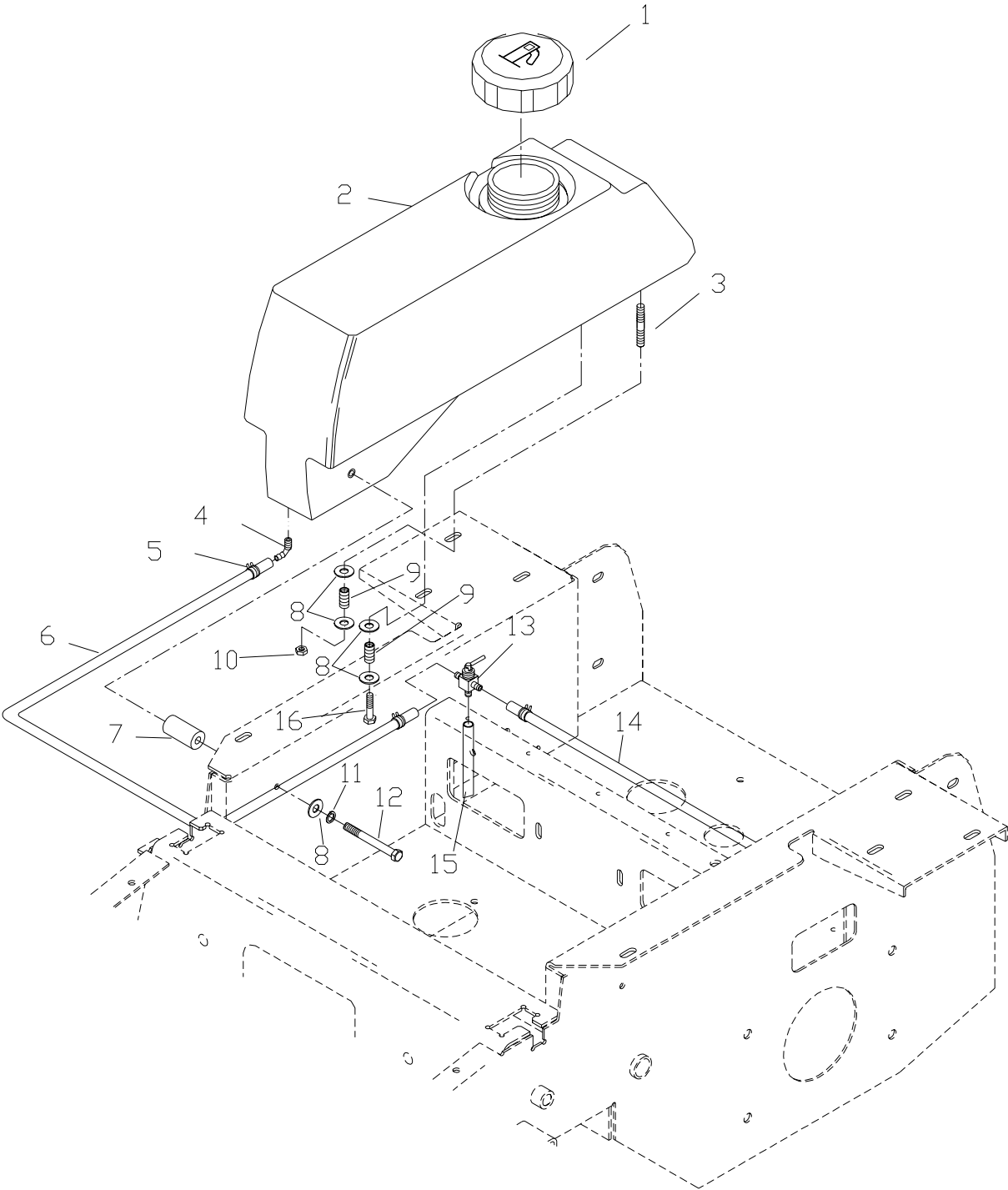


HYDRAULIC SYSTEM ASSEMBLY

ITEM PART NO. QTY. DESCRIPTION

| | | | |
|----|-----------|----|------------------------|
| 1 | 539104529 | 2 | PUMP |
| 2 | 539105024 | 1 | OIL TANK |
| 3 | 539102606 | 1 | FILTER |
| 4 | 539101165 | 1 | FILTER HEAD |
| 5 | 539105167 | 1 | COOLER |
| 6 | 539101202 | 1 | HYD. CAP |
| 7 | 539105027 | 1 | TANK MOUNT LT. |
| | 539105026 | 1 | TANK MOUNT RT. |
| 8 | 539105028 | 1 | FILTER BRACKET |
| 9 | 539976934 | 4 | HCS 5/16 X 3/4 |
| 10 | 539990580 | 8 | HCS 1/4C X 3/4 |
| 11 | 539990052 | 2 | 1/4 LOCK WASHER |
| 12 | 539990372 | 10 | 1/4 LOCK NUT |
| 13 | 539990598 | 8 | 1/4 FLAT WASHER |
| 14 | 539990892 | 4 | HCS 1/4C X 2.25 |
| 15 | 539923515 | 4 | SPACER |
| 16 | 539976966 | 2 | HOSE CLAMP |
| 17 | 539101237 | 4 | F6400-8-8-0 |
| 18 | 539102396 | 4 | STR. FITTING |
| 19 | 539103316 | 1 | F6400-6-6-0 |
| 20 | 539101238 | 5 | F6801-6-6-0 |
| 21 | 539104393 | 1 | R. OUTSIDE TUBE |
| 22 | 539104394 | 1 | R. INSIDE TUBE |
| 23 | 539104395 | 1 | L.INSIDE TUBE |
| 24 | 539104396 | 1 | L. OUTSIDE TUBE |
| 25 | 539104722 | 1 | 7" TUBE |
| 26 | 539104723 | 1 | "T" ASM |
| 27 | 539104896 | 1 | HOSE |
| 28 | 539105154 | 1 | "T" ASM |
| 29 | 539105168 | 1 | CAP |
| 30 | 539103115 | 4 | 3/4 "O" RING |
| 31 | 539103116 | 4 | 1/2 "O" RING |
| 32 | 539103117 | 6 | 3/8 "O" RING |
| 33 | 539103118 | 8 | 3/8 "O" RING FLARE |
| 34 | 539103119 | 8 | 3/8 "O" RING FLARE |
| 35 | 539102233 | 2 | CLEVIS PIN |
| 36 | 539102234 | 2 | PUSH NUT |
| 37 | 539102685 | 1 | HOSE CLAMP (NOT SHOWN) |

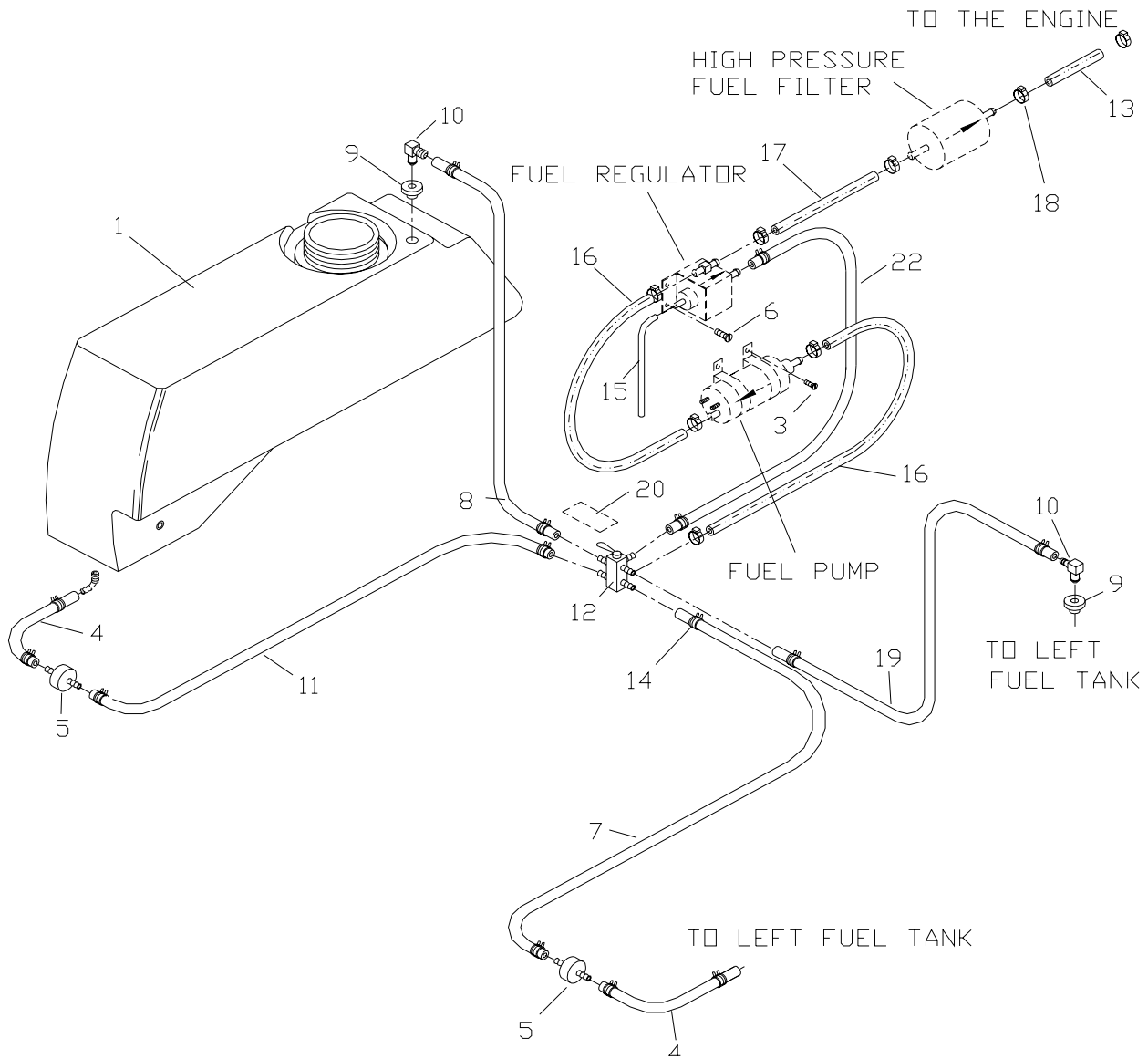
FUEL ASSEMBLY



FUEL ASSEMBLY

| ITEM | PART NO. | QTY. | DESCRIPTION |
|------|-----------|------|---------------------------|
| 1 | 539104962 | 2 | FUEL CAP |
| 2 | 539104410 | 1 | RT. FUEL TANK |
| | 539104409 | 1 | LT. FUEL TANK |
| 3 | 539102502 | 6 | STUD |
| 4 | 539102650 | 2 | 90 DEG. HOSE BARB |
| 5 | 539912222 | 6 | HOSE CLAMP |
| 6 | 539105281 | 1 | FUEL LINE 30" (2 ON KAW.) |
| 7 | 539104897 | 2 | TANK SPACER |
| 8 | 539990692 | 18 | 5/16 FLAT WASHER |
| 9 | 539102845 | 8 | SPRING |
| 10 | 539990184 | 8 | 5/16C LOCKNUT |
| 11 | 539990187 | 2 | 5/16 LOCK WASHER |
| 12 | 539102335 | 2 | HCS 5/16C X 4 |
| 13 | 539102679 | 1 | FUEL VALVE |
| 14 | 539105280 | 1 | FUEL LINE 41" |
| 15 | 539104980 | 1 | FUEL LINE 16" (KOHLER) |
| 16 | 539990209 | 2 | HCS 5/16C X 1 |

EFI FUEL ASSEMBLY



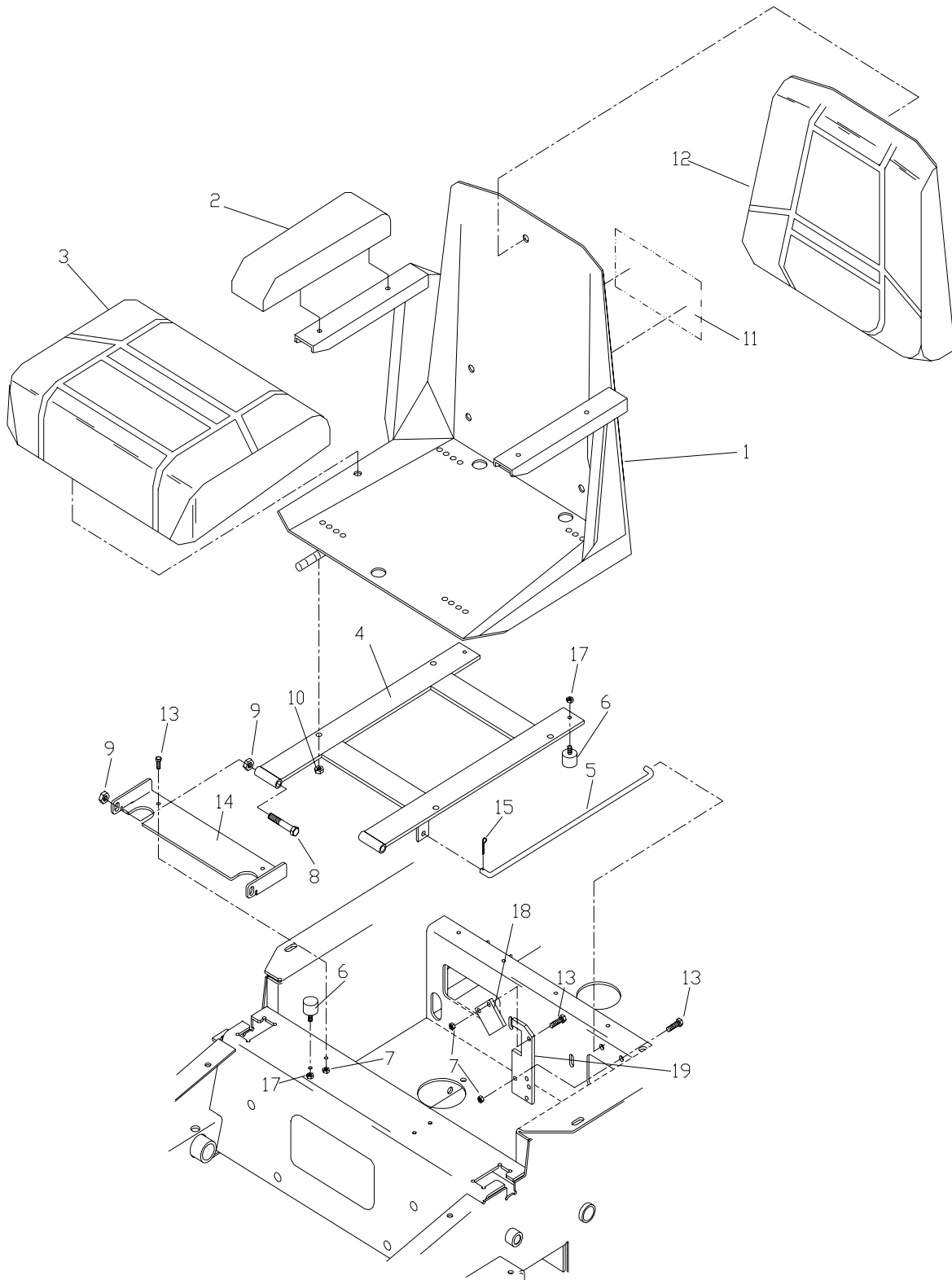
EFI FUEL ASSEMBLY

| ITEM | PART NO. | QTY. | DESCRIPTION |
|------|-----------|------|-----------------------------|
| 1 | 539105330 | 1 | RT. FUEL TANK |
| 2 | 539105329 | 1 | LT. FUEL TANK (NOT SHOWN) |
| 3 | 539991034 | 4 | SELF TAPPING SCREW |
| 4 | 539977351 | 2 | FUEL LINE |
| 5 | 539914359 | 2 | FILTER |
| 6 | 539105532 | 6 | 1/4-20 SELF TAPPING SCREW |
| 7 | 539105531 | 1 | FUEL LINE |
| 8 | 539105526 | 1 | FUEL LINE |
| 9 | 539105245 | 2 | RUBBER GROMMET |
| 10 | 539105244 | 2 | ELBOW |
| 11 | 539105527 | 2 | FUEL LINE |
| 12 | 539105331 | 1 | FUEL VALVE |
| 13 | 539107764 | 1 | HOSE, FUEL INJ .31 ID X 30" |
| 14 | 539912222 | 14 | HOSE CLAMP |
| 15 | 539105411 | 1 | VENT HOSE |
| 16 | 539107887 | 2 | HOSE, FUEL INJ .31 ID X 27" |
| 17 | 539105398 | 1 | HOSE, FUEL INJ .31 ID X 18" |
| 18 | 539105529 | 8 | CLAMPS |
| 19 | 539105530 | 1 | FUEL LINE |
| 20 | 539105334 | 1 | DECAL, FUEL VALVE |
| 21 | 539104962 | 2 | FUEL CAP(NOT SHOWN) |
| 22 | 539105281 | 1 | HOSE, FUEL .25 ID X 30" |

NOTE: Items 13, 16, and 17 are high pressure fuel lines

Refer to Kohler engine manual for information on the fuel regulator, fuel pump, and the high pressure fuel filter.

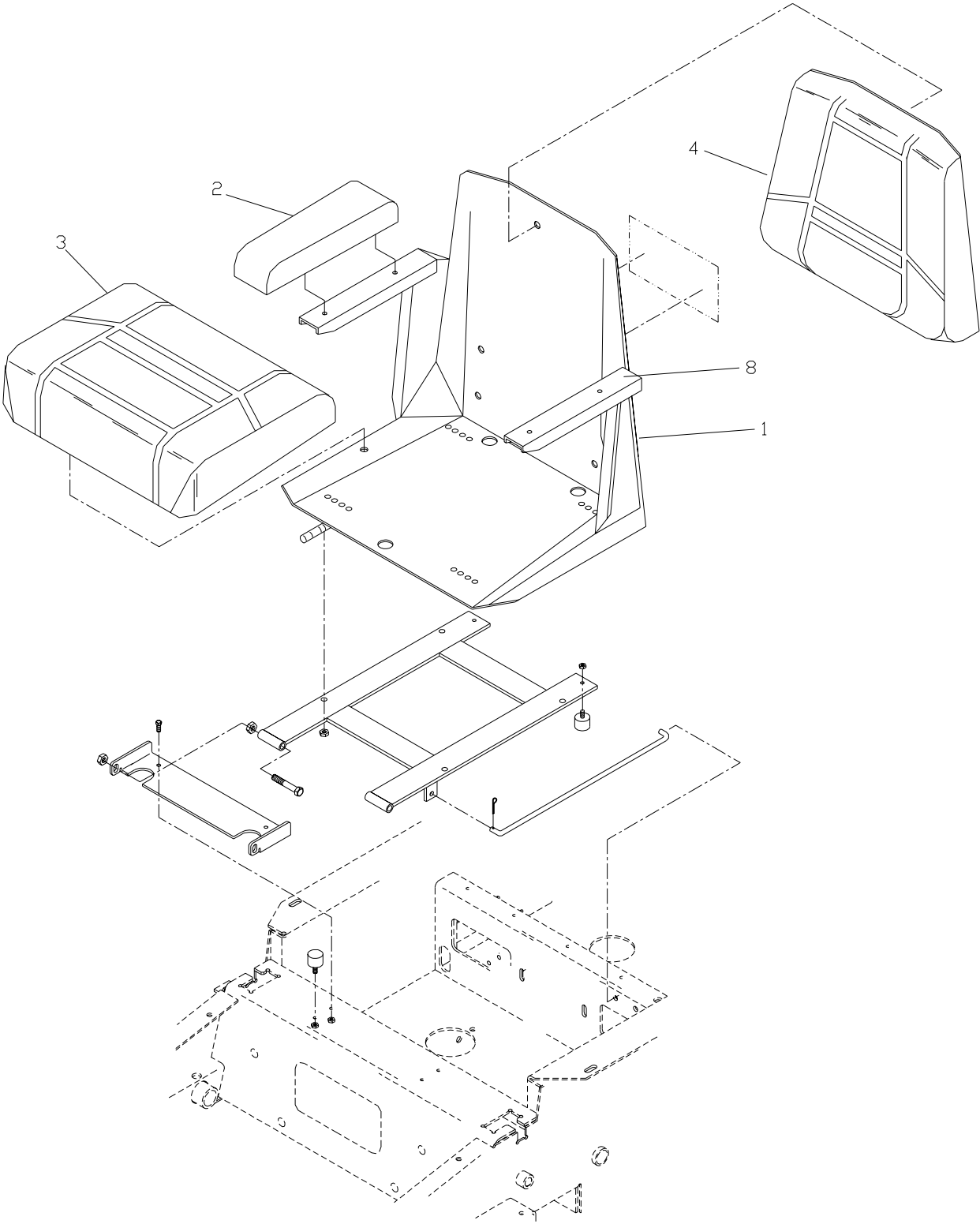
SEAT ASSEMBLY



SEAT ASSEMBLY

| ITEM | PART NO. | QTY. | DESCRIPTION |
|------|-----------|------|------------------------|
| 1 | 539104584 | 1 | SEAT, COMPLETE |
| 2 | 539102844 | 2 | ARM REST CUSHION |
| 3 | 539102539 | 1 | SEAT CUSHION W/SWITCH |
| 4 | 539105283 | 1 | SEAT MOUNT |
| 5 | 539104525 | 1 | SEAT ROD |
| 6 | 539105039 | 4 | STUD / PLATE MOUNT |
| 7 | 539990372 | 5 | 1/4C LOCKNUT |
| 8 | 539101341 | 2 | HCS 3/8C X 3 |
| 9 | 539990546 | 4 | NUT 3/8C CTR. LOCK |
| 10 | 539990184 | 4 | NUT 5/16C CTR. LOCK |
| 11 | 539104789 | 1 | DECAL, CROWN |
| 12 | 539104565 | 1 | SEAT BACK CUSHION |
| 13 | 539990580 | 5 | HCS 1/4C X 3/4 |
| 14 | 539105224 | 1 | SEAT BKT. W/DECAL |
| 15 | 539990365 | 1 | COTTER PIN |
| 16 | 539105294 | 1 | SEAT RAILS (NOT SHOWN) |
| 17 | 539976978 | 4 | NUT 1/4C NYLOC |
| 18 | 539102917 | 1 | SEAT LATCH |
| 19 | 539105282 | 1 | SEAT LATCH MOUNT |

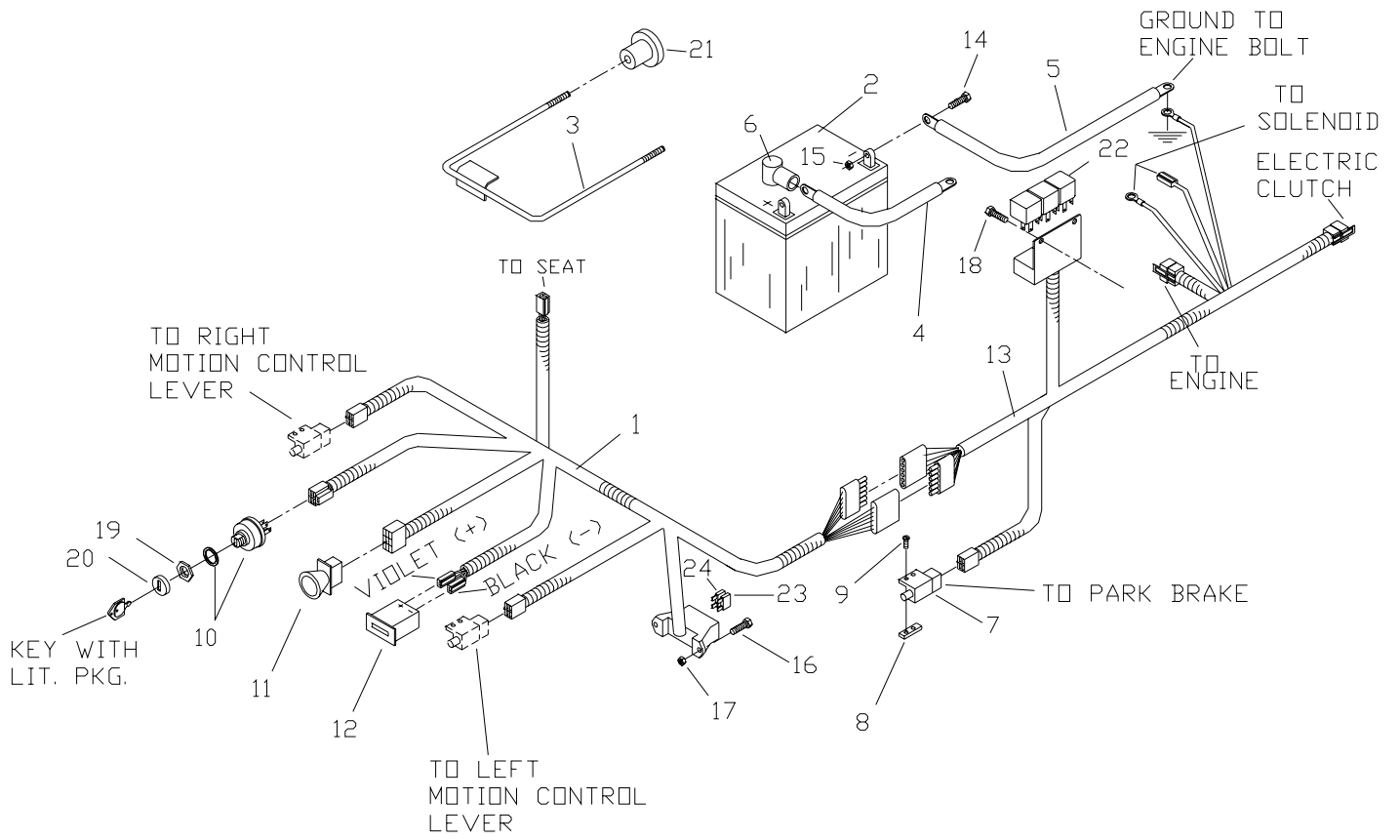
SUSPENSION SEAT ASSEMBLY



SUSPENSION SEAT ASSEMBLY

| ITEM | PART NO. | QTY. | DESCRIPTION |
|------|-----------|------|--------------------|
| 1 | 539105211 | 1 | SEAT, COMPLETE |
| 2 | 539105539 | 2 | ARM REST CUSHION |
| 3 | 539105541 | 1 | SEAT CUSHION |
| 4 | 539105540 | 1 | BACK CUSHION |
| 5 | 539105542 | 1 | SWITCH, SEAT |
| 6 | 539105544 | 2 | SEAT RAILS |
| 7 | 539105545 | 1 | SEAT HARNESS |
| 8 | 539106099 | 2 | SEAT ARM REST BKT. |

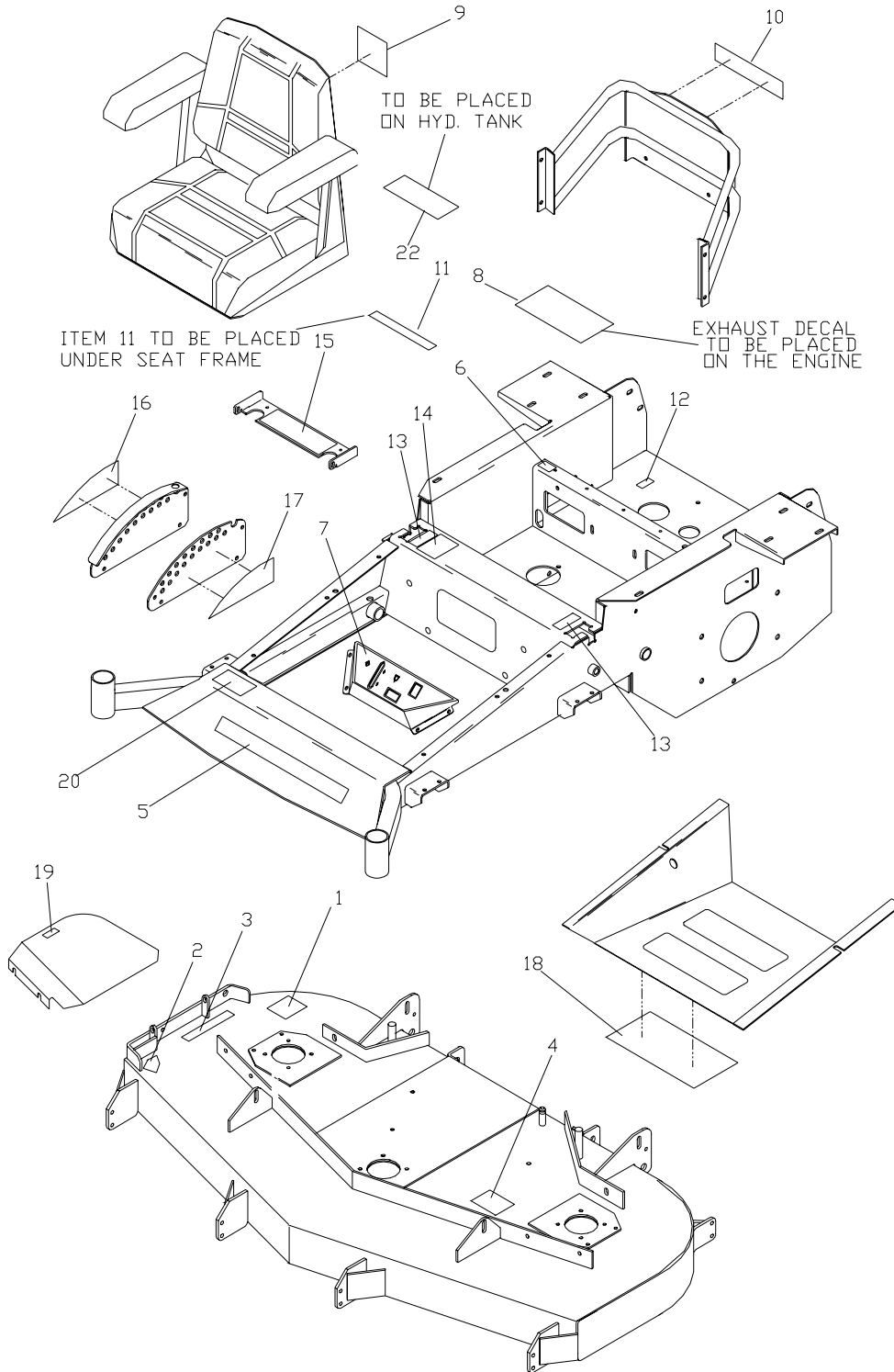
WIRING ASSEMBLY



WIRING ASSEMBLY

| ITEM | PART NO. | QTY. | DESCRIPTION |
|------|-----------|------|---------------------------|
| 1 | 539104414 | 1 | CONSOLE HARNESS |
| 2 | 539102463 | 1 | 12V BATTERY |
| 3 | 539104344 | 1 | BATTERY HOLD DOWN |
| 4 | 539104974 | 1 | POSITIVE CABLE |
| 5 | 539102758 | 1 | NEGITIVE CABLE |
| 6 | 539102759 | 2 | INSULATOR |
| 7 | 539101080 | 1 | INTERLOCK SWITCH |
| 8 | 539102678 | 1 | TAPPED PLATE |
| 9 | 539976952 | 2 | #10-24 X 5/8 |
| 10 | 539101770 | 1 | IGNITION SWITCH |
| 11 | 539101768 | 1 | BLADE SWITCH |
| 12 | 539102540 | 1 | HOUR METER |
| 13 | 539104964 | 1 | FRAME HARNESS |
| 14 | 539976934 | 2 | HCS 5/16C X 3/4 |
| 15 | 539990184 | 2 | NUT 5/16C CTR. LOCK |
| 16 | 539102617 | 2 | #10-24 X 7/8 SCREW |
| 17 | 539976977 | 2 | #10-24 HEX NYLOC NUT |
| 18 | 539991034 | 2 | SELF TAPPING SCREW |
| 19 | 539103177 | 1 | NUT IGN. SWITCH |
| 20 | 539103178 | 1 | CAP, IGN. SWITCH |
| 21 | 539105169 | 2 | KNOB |
| 22 | 539105243 | 3 | RELAY |
| 23 | 539101771 | 1 | 7.5 AMP 32V ATO FUSE |
| 24 | 539102086 | 1 | 20.0 AMP 32V ATO FUSE |
| 25 | 539105300 | 1 | KOHLER PIGTAIL(NOT SHOWN) |
| 26 | 539105247 | 1 | GAGE HARNESS(NOT SHOWN) |

DECAL PLACEMENT ASSEMBLY



DECAL PLACEMENT ASSEMBLY

| ITEM | PART NO. | QTY. | DESCRIPTION |
|------|-----------|------|------------------------|
| 1 | 539105232 | 1 | DECAL, ANTI SCALP |
| 2 | 539100344 | 1 | DECAL, DANGER |
| 3 | 539913010 | 1 | DECAL, WARNING |
| 4 | 539105012 | 1 | DECAL, BELT ROUTING |
| 5 | 539104790 | 1 | DECAL, HUSQVARNA |
| 6 | 539102670 | 1 | DECAL, FUEL VALVE |
| 7 | 539105010 | 1 | DECAL, CONSOLE |
| 8 | 539100128 | 1 | DECAL, EXHAUST |
| 9 | 539104789 | 1 | DECAL, CROWN |
| 10 | 539104787 | 1 | DECAL, HUSQVARNA |
| 11 | 539102669 | 1 | DECAL, BATTERY |
| 12 | 539101881 | 1 | DECAL, PROP 65 |
| 13 | 539103333 | 2 | DECAL, MOTION CONTROL |
| 14 | 539103328 | 1 | DECAL, THROWN OBJECTS |
| 15 | 539103331 | 1 | DECAL, WARNING |
| 16 | 539104898 | 1 | DECAL, HEIGHT |
| 17 | 539104899 | 1 | DECAL, HEIGHT |
| 18 | 539105011 | 1 | DECAL, SERVICE |
| 19 | 539102892 | 2 | DECAL, NO STEP |
| 20 | 539105071 | 1 | DECAL, NASCAR |
| 21 | 539105320 | 2 | DECAL, 5221(NOT SHOWN) |
| | 539105321 | 2 | DECAL, 5223 |
| | 539105322 | 2 | DECAL, 5223L |
| | 539105323 | 2 | DECAL, 5225 |
| | 539105324 | 2 | DECAL, 6125 |
| | 539105548 | 2 | DECAL, 6125EFI |
| 22 | 539105301 | 1 | DECAL, MOBIL 1 |

 **Husqvarna**