



## **Parts Manual**

## **Models:**

**968999131/DT22H5NRA**

**968999212/DT22B5NRA**

**968999213/DT22B5FA**

**968999243/DT22H5FA**

**968999244/DT22B5DSA (SD22)**

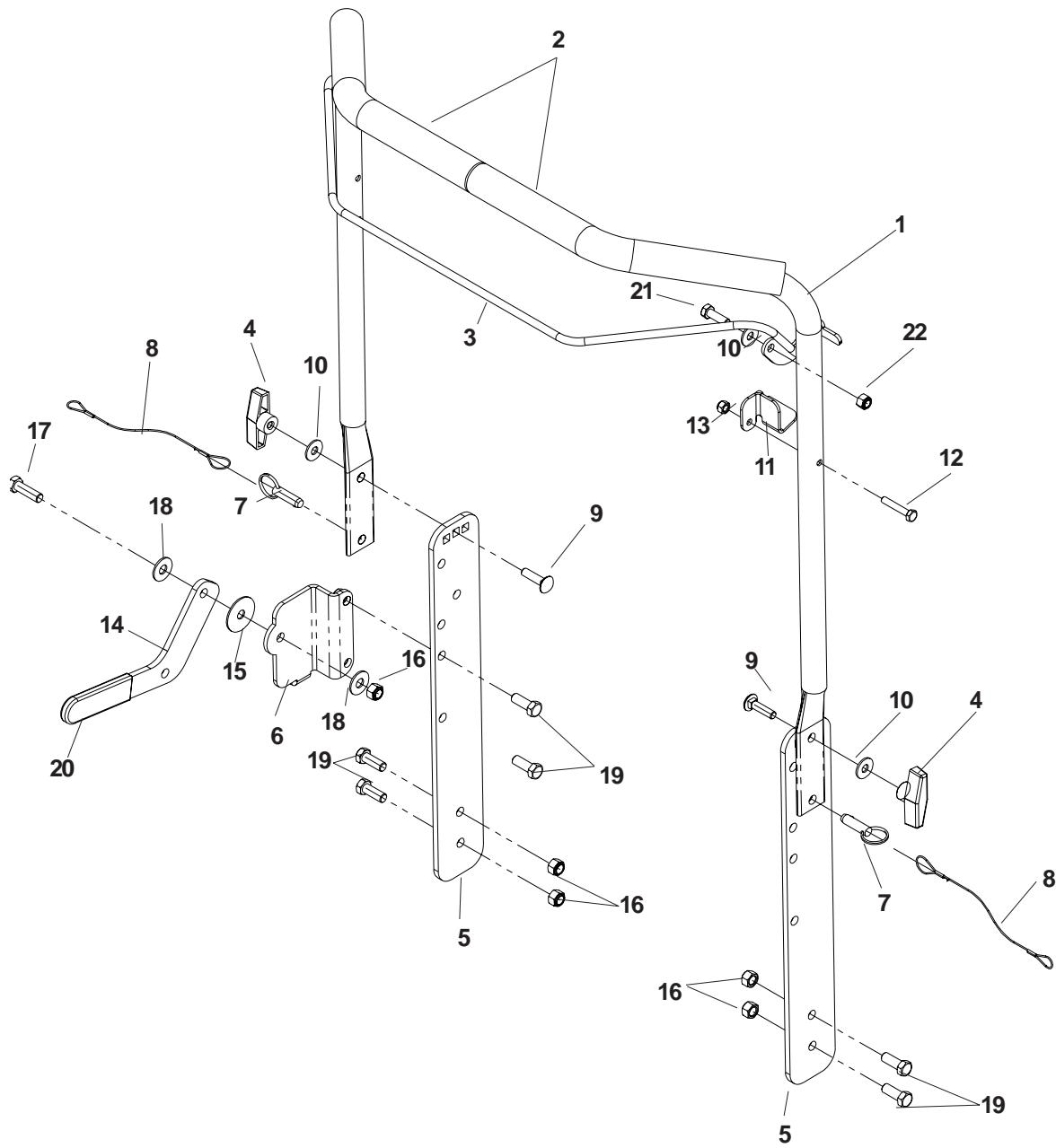
**968999247/DT22NEFA**

©2005 Husqvarna. All Rights Reserved.  
Beatrice, NE. Printed in U.S.A.

# INDEX

HANDLE ASSEMBLY .....	4-5
BODY ASSEMBLY .....	6-7
FLAIL REEL ASSEMBLY .....	8
DELTA REEL ASSEMBLY .....	9
SPRING REEL ASSEMBLY .....	10
DECALS .....	11
BAGGER ASSEMBLY .....	12-13
SEEDER ASSEMBLY .....	14-15

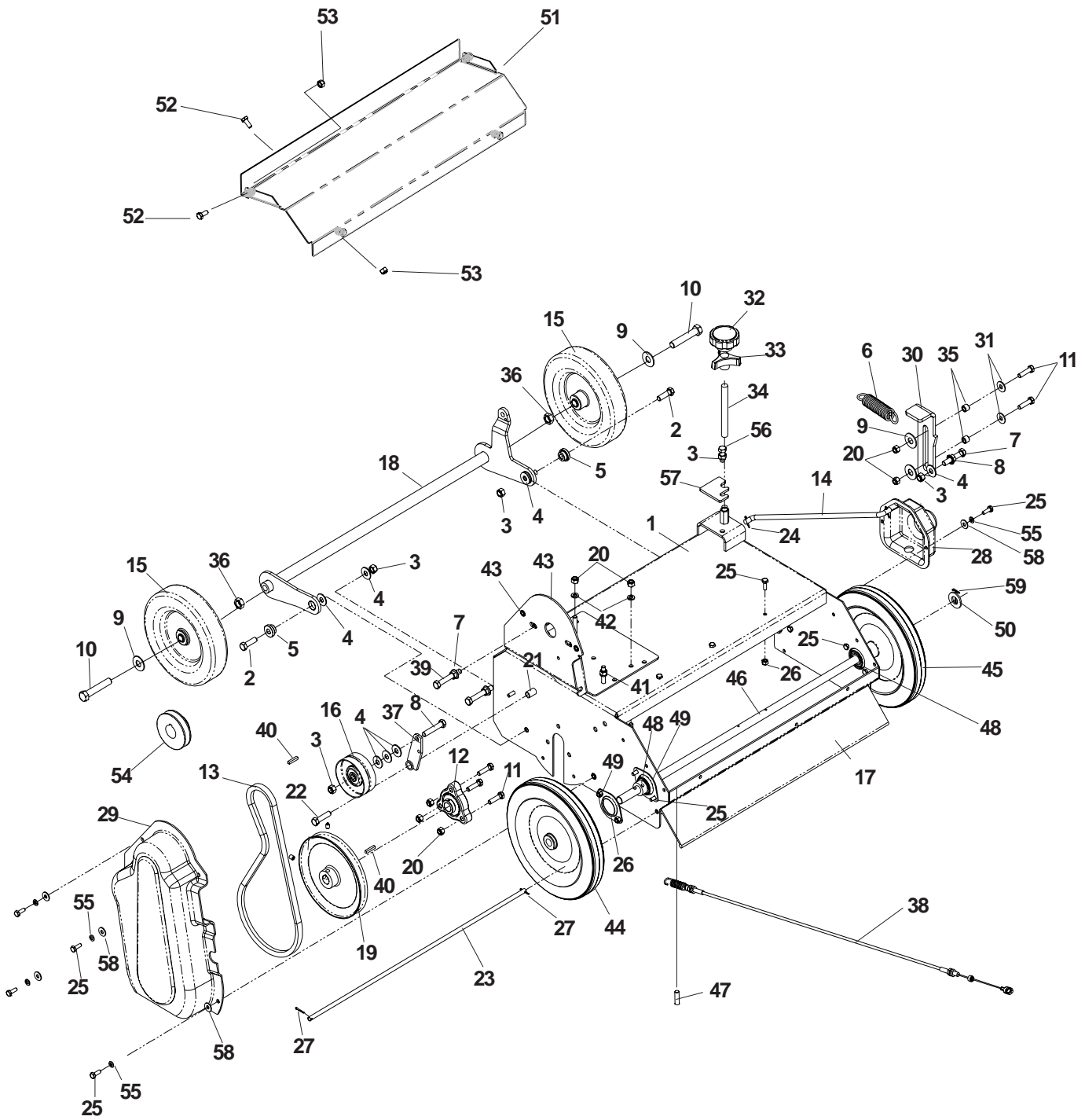
# HANDLE ASSEMBLY



# HANDLE ASSEMBLY

ITEM	PART NO.	QTY.	DESCRIPTION
1	539106758	1	HANDLE
2	539052561	2	FOAM GRIP
3	539106760	1	BAIL
4	539100481	2	KNOB
5	539106755	2	HANDLE SIDE
6	539106654	1	MOUNT
7	539100556	2	PIN
8	539102563	2	LANYARD
9	539100472	2	RHSNB 5/16C X 1 1/4
10	539990692	3	WASHER, 5/16, FLAT
11	539106688	1	CABLE TAB
12	539990639	1	HCS 1/4C X 1 1/2
13	539976978	1	NUT, 1/4C, NYLOC
14	539106645	1	LEVER
15	539102998	1	WASHER, FRICTION
16	539976979	7	NUT, 3/8C, NYLOC
17	539976941	1	HCS 3/8C X 1 1/4
18	539990517	2	WASHER, 3/8, FLAT
19	539990563	6	HCS 3/8C X 1
20	539976526	1	ADJ. LEVER GRIP
21	539990209	1	HCS 5/16C X 1
22	539990717	1	NUT, 5/16C, NYLOC

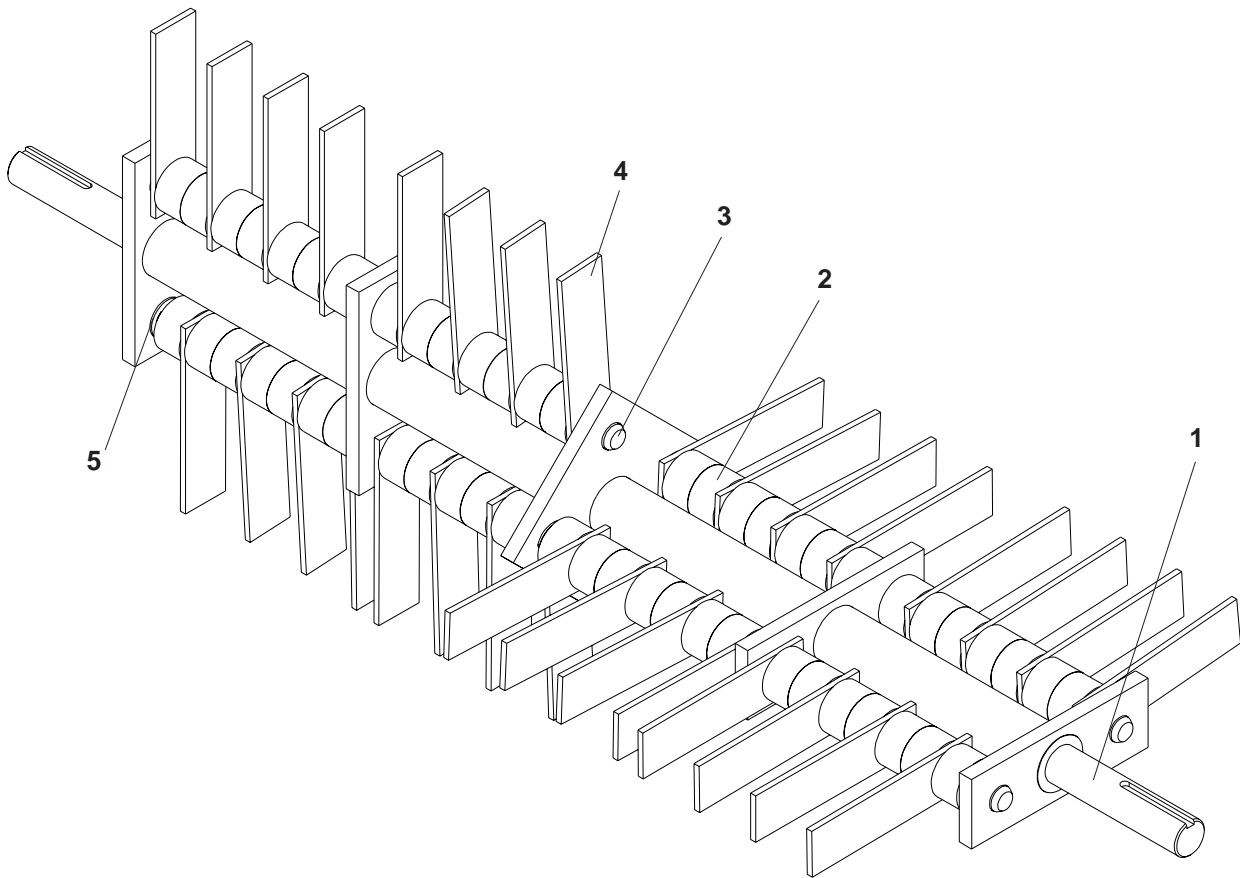
# BODY ASSEMBLY



# BODY ASSEMBLY

ITEM	PART NO.	QTY.	DESCRIPTION	ITEM	PART NO.	QTY.	DESCRIPTION
1 ..	539106762	..... 1	BODY	33 ..	540030485	..... 1	KNOB
2 ..	539976941	..... 2	HCS 3/8C X 1 1/4	34 ..	540052761	..... 1	ROD, THREADED
3 ..	539976979	..... 6	NUT, 3/8C, NYLOC	35 ..	539102827	..... 1	SPACER, PULLEY
4 ..	539990517	..... 8	WASHER, 3/8, FLAT	36 ..	539990625	..... 2	NUT, 1/2 HEX, JAM
5 ..	539106847	..... 2	BUSHING	37 ..	539108067	..... 1	IDLER ARM, ORANGE
6 ..	539106850	..... 1	SPRING	38 ..	539106849	..... 1	CABLE
7 ..	539990613	..... 5	NUT, 3/8C	39 ..	539990637	..... 2	HCS 3/8C X 2 1/2
8 ..	539990588	..... 2	HCS 3/8C X 2	40 ..	540005226	..... 2	KEY, 3/16 X 3/16 X 1
9 ..	539990550	..... 4	WASHER, 1/2, FLAT	41 ..	539990669	..... 4	HCS 5/16C X 1 3/4
10 ..	539101332	..... 2	HCS 1/2C X 2 3/4	42 ..	539990187	..... 4	LOCKWASHER, 5/16
11 ..	539990627	..... 8	HCS 5/16C X 1 1/4	43 ..	539106772	..... 1	BACKING PLATE
12 ..	539100488	..... 2	C.I. FLANGE	44 ..	540000058	..... 1	WHEEL, 10 X 1 3/4,
			BEARING				DRILLED
13 ..	539100439	..... 1	BELT	45 ..	540053401	..... 1	WHEEL, 10 X 1 3/4,
14 ..	539106805	..... 1	LINKAGE				W/BUSHINGS
15 ..	540075051	..... 2	WHEEL, 8 X 1 3/4	46 ..	539106663	..... 1	AXLE, REAR
16 ..	539110311	..... 1	IDLER PULLEY, FLAT	47 ..	540000364	..... 1	ROLL PIN, 1/4 X 1 1/8
17 ..	539106643	..... 1	REAR FLAP	48 ..	540000319	..... 2	BEARING, 5/8"
18 ..	539106759	..... 1	FRONT AXLE				W/COLLAR
19 ..	539108541	..... 1	PULLEY	49 ..	540000321	..... 4	FLANGE, FOR
			W/SET SCREW				BEARING 5/8"
20 ..	539990717	..... 12	NUT, 5/16, NYLOC	50 ..	539000436	..... 1	WASHER, 5/8, SAE
21 ..	539100482	..... 1	BUSHING	51 ..	539106757	..... 1	REAR COVER
22 ..	539990655	..... 1	HCS 3/8C X 1 1/2	52 ..	539990072	..... 4	HCS 1/4C X 5/8
23 ..	539106672	..... 1	FLAP ROD	53 ..	539976978	..... 2	NUT, 1/4C, NYLOC
24 ..	539990365	..... 2	COTTER PIN	54 ..	539108543	..... 1	PULLEY, ENGINE
25 ..	539990580	..... 13	HCS 1/4C X 3/4				W/SET SCREW
26 ..	539976978	..... 13	NUT, 1/4C, NYLOC	55 ..	539990052	..... 6	LOCKWASHER, 1/4
27 ..	539990365	..... 2	COTTER PIN	56 ..	539990563	..... 1	SCREW, 3/8C X 1
28 ..	539106754	..... 1	SHAFT GUARD	57 ..	539108022	..... 1	DEPTH SHIM
29 ..	539108069	..... 1	BELT GUARD	58 ..	539990598	..... 6	WASHER, 1/4, FLAT
30 ..	539106816	..... 1	SLIDER	59 ..	539990297	..... 1	COTTER PIN,
31 ..	539990692	..... 2	WASHER, 5/16, FLAT				1/8 X 1 1/2
32 ..	540000035	..... 1	KNOB	60 ..	539108147	..... 6	KNURLED INSERT,
							1/4-20

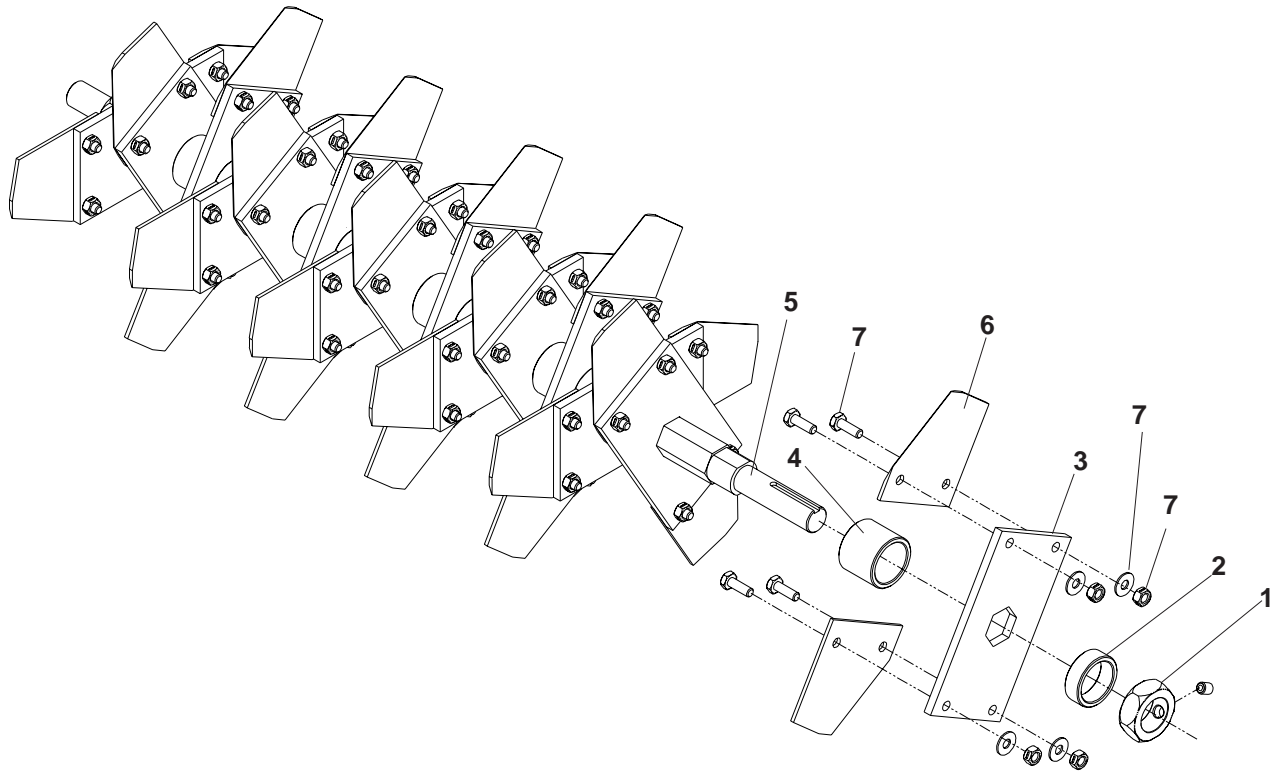
# FLAIL REEL ASSEMBLY



ITEM	PART NO.	QTY.	DESCRIPTION
.....	539107183	..... 1	..... 22" FLAIL REEL (COMPLETE)
1	539106641	..... 1	..... SHAFT
2	539108113	..... 1	..... SPACER SET (56 SPACERS)
3	539108111	..... 1	..... SHAFT & HARDWARE SET(4 SHAFTS)
4	539108110	..... 1	..... BLADE SET (32 BLADES)
.....	539108112	..... 1	..... BLADES W/SHAFTS & HARDWARE SET (32 BLADES)
5	539101949	..... 8	..... E-RING 1/2

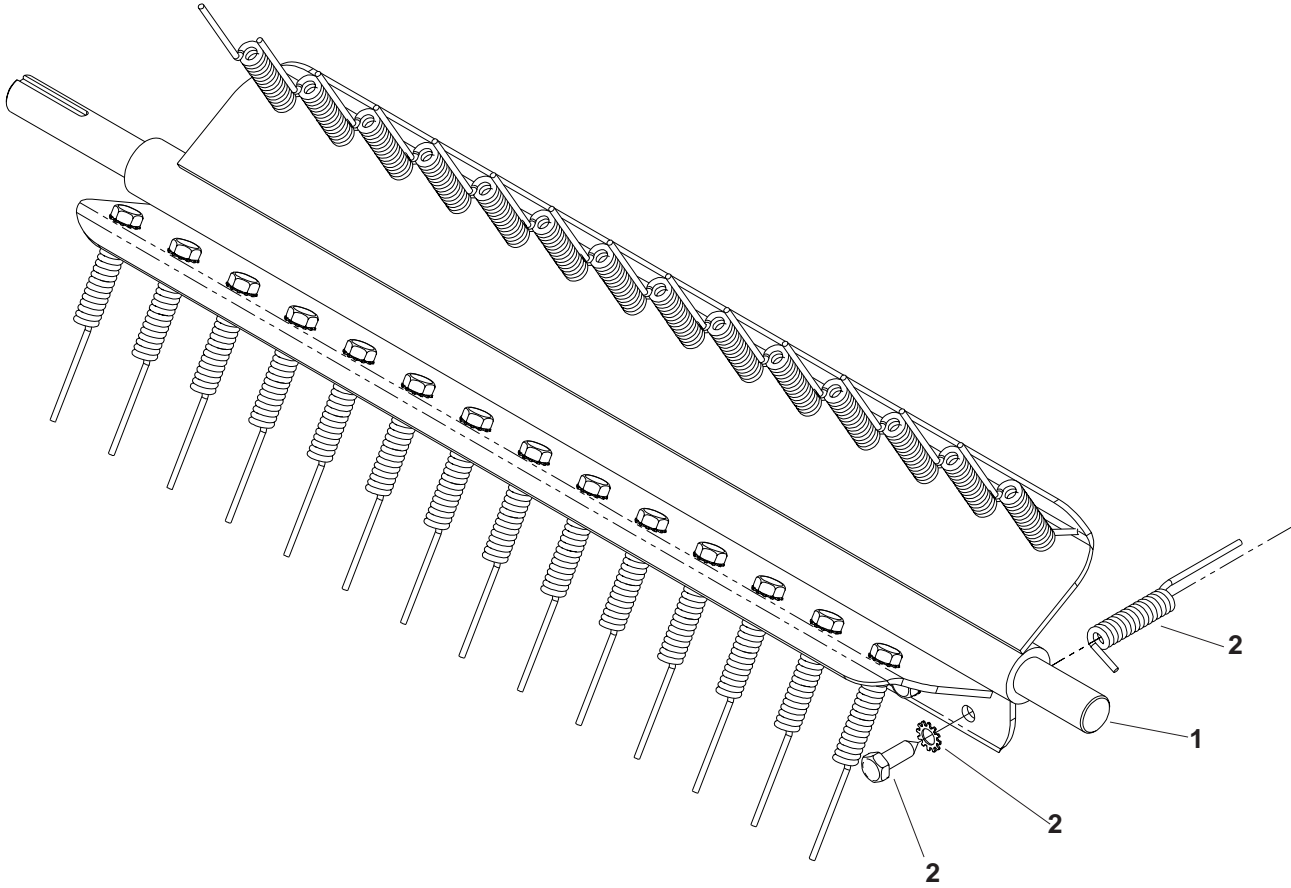


# DELTA REEL ASSEMBLY



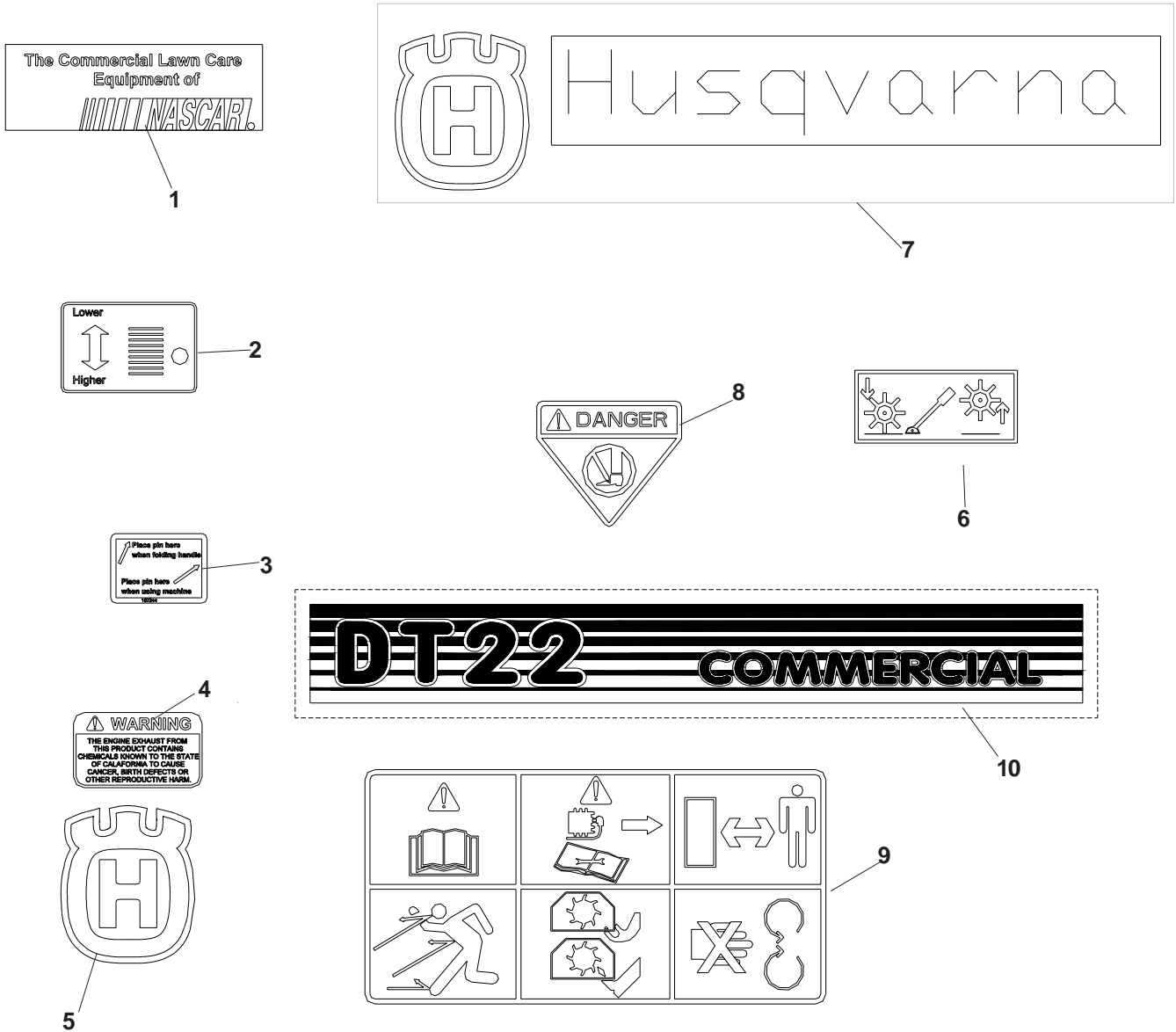
ITEM	PART NO.	QTY.	DESCRIPTION
.....	539107184	..... 1	..... 22" DELTA REEL (COMPLETE)
1	..... 539100530	..... 2	..... JAM NUT W/SETSCREW
2	..... 539106653	..... 2	..... END SPACER
3	..... 539106651	..... 15	..... BLADE MTG. PLATE
4	..... 539106652	..... 14	..... SPACER - LONG
5	..... 539106650	..... 1	..... SHAFT
6	..... 539108116	..... 1	..... BLADE W/HARDWARE SET (30 BLADES)
7	..... 539108117	..... 1	..... SCREW & NUT SET (60 EACH)

# SPRING REEL ASSEMBLY



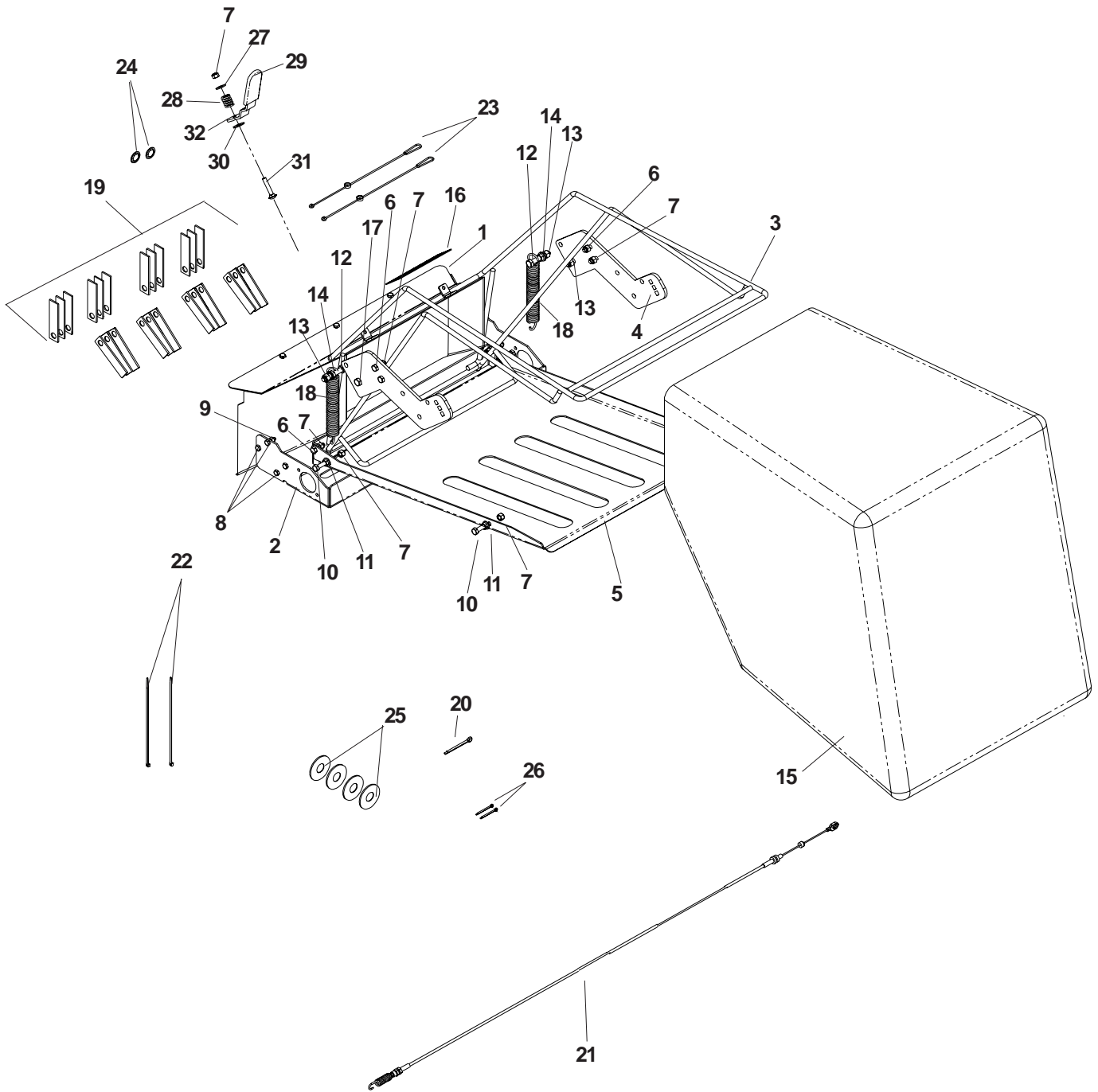
ITEM	PART NO.	QTY.	DESCRIPTION
.....	539107185	..... 1	..... 22" SPRING REEL (COMPLETE)
1	539106683	..... 1	..... SHAFT
2	540108119	..... 1	..... SPRING W/HARDWARE SET (42 SPRINGS)

# DECALS



ITEM	PART NO.	QTY	DESCRIPTION
1	539105071	1	DECAL, NASCAR
2	539107337	1	DECAL, HEIGHT
3	539107244	1	DECAL, HANDLE PIN
4	539101881	1	DECAL, PROP 65
5	539104789	1	DECAL SMALL CROWN
6	540200028	1	DECAL, HEIGHT ADJUST
7	540200732	1	DECAL, 12" HUSQVARNA W/CROWN
8	540200076	1	DECAL, FOOT DANGER
9	539107359	1	DECAL, GRAPHIC
10	539107189	1	DECAL, DT22

# BAGGER ASSEMBLY



# BAGGER ASSEMBLY

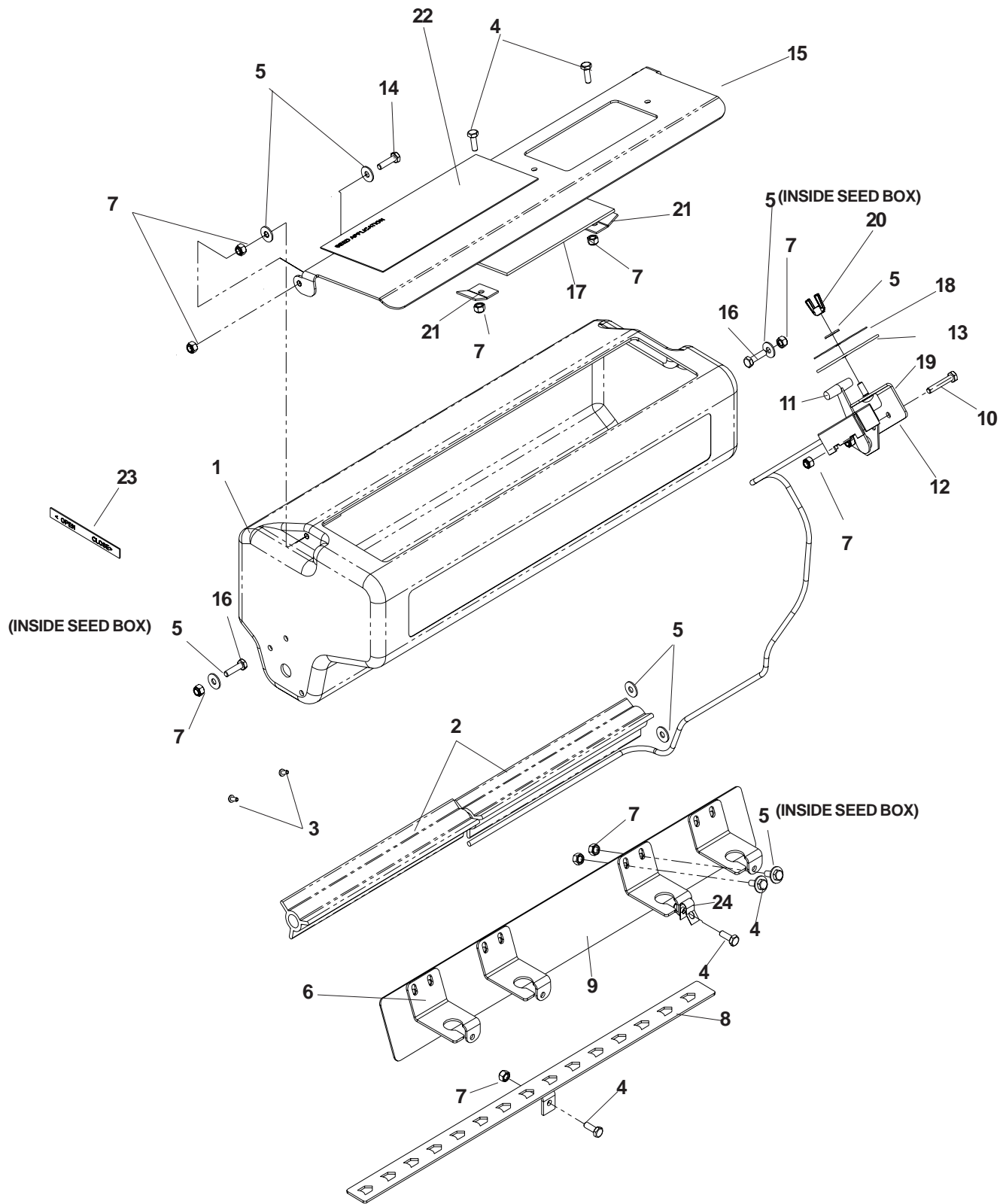
ITEM	PART NO.	QTY	DESCRIPTION
1	539106799	1	CHUTE
2	539106803	1	TRAY
3	539107242	1	BAG FRAME, BLACK
4	539106846	2	EXTENDER
5	539106835	1	SAFETY DOOR
6	539990209	6	SCREW, 5/16 X 1
7	539990717	10	NUT, 5/16, NYLOC
8	539990580	13	SCREW, 1/4 X 3/4
9	539976978	13	NUT, 1/4, NYLOC
10	539990669	3	SCREW, 5/16 X 1 3/4
11	539990585	3	NUT, 5/16, SERRATED WASHER
12	539990588	2	SCREW, 3/8 X 2
13	539976979	4	NUT, 3/8, NYLOC
14	539990613	2	NUT, 3/8, SERRATED WASHER
15	540005464	1	BAG
16	539976583	1	DECAL, WARNING
17	539990563	2	SCREW, 3/8 X 1
18	539107315	2	SPRING, BAGGER
19	539109771	1	BLADE SET (56)
20	539990297	1	COTTER PIN 1/8 X 1 1/2 (FOR REAR AXLE)
21	539106827	1	CABLE, BAGGER
22	539976856	2	WIRE TIE
23	539102563	2	LANYARD
24	540053411	2	RETAINING RING
25	539000436	4	WASHER, 5/8, SAE (FOR REAR AXLE)
26	539099037	2	COTTER PIN, 3/32 X 3/4
27	539990692	1	WASHER, 5/16
28	539976438	1	SPRING
29	539110865	1	GRIP
30	539990517	1	WASHER, 3/8
31	539990861	1	RHSNB, 5/16-18 X 1 3/4
32	539110982	1	BAG CLAMP

**NOTE:** Ref. No. 22 is used for attaching cable to extender.  
 Ref. No. 23 is used for reattaching pin to extender.  
 Ref. No. 24 is used for reinstalling tire to axle.

Some models use a metal removable lanyard. For those models the plastic lanyard is not necessary (item 23).

Some models use a cotter pin in the rear axle. For those models (item 24) retaining ring is not necessary.

# SEEDER ASSEMBLY



# SEEDER ASSEMBLY

ITEM	PART NO.	QTY	DESCRIPTION
1	539109374	1	SEEDBOX
2	539106661	2	AGITATOR
3	540000113	2	SCREW, #8-32 X 3/8, TAPPING
4	539990580	12	HCS 1/4C X 3/4
5	539990598	20	WASHER, 1/4, FLAT
6	539106677	4	GUIDE
7	539976978	20	NUT, 1/4C, NYLOC
8	539106678	1	GATE
9	539109375	1	SHIELD
10	539990639	2	HCS 1/4C X 1 1/2
11	540052551	1	SEEDER CABLE
12	539106680	1	MOUNT
13	539107357	1	SEED DIAL
14	539977761	6	HCS 1/4C X 1
15	539106684	1	SEED DOOR
16	539990548	2	HCS 1/4C X 1
17	539106806	1	SEED WINDOW
18	540200141	1	DECAL, SEED DIAL
19	539990074	1	RHSNB 1/4C X 3/4
20	539990997	1	WINGNUT, 1/4C, NYLOC
21	539107246	2	WINDOW CLIP
22	540200140	1	DECAL, SEED APPLICATION
23	540200143	1	DECAL, OPEN/CLOSE
24	540052931	1	CABLE CLAMP
	540053411	2	PUSH NUTS, 5/8 (REAR AXLE) (NOT SHOWN)

Some models use a cotter pin on the rear axle. For those models pushnuts are not necessary.

 **Husqvarna**