

Parts Manual

Models:

968999127 / WHF4215ETS

968999129 / WHF4818ETS

968999130 / WHF5218ETS

Model Number: _____

Serial Number: _____

Date of Purchase: _____

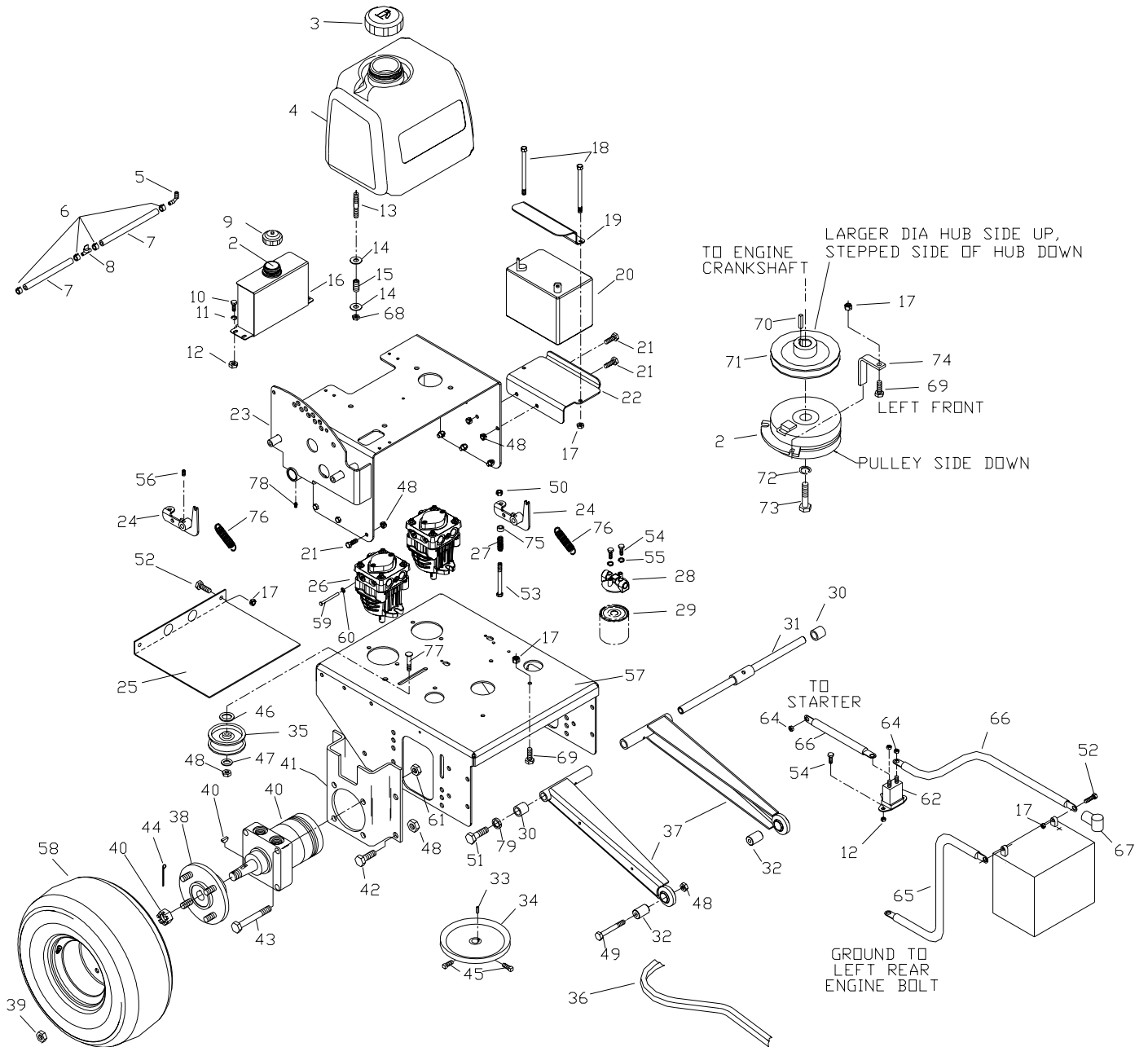
Dealer Information: _____

Notes: _____

Table of Contents

POWER UNIT ASSEMBLY	4
HYDRAULIC ASSEMBLY	6
42" FRONT DECK ASSEMBLY	8
48" FRONT DECK ASSEMBLY	10
52" FRONT DECK ASSEMBLY	12
FRAME ASSEMBLY	14
HANDLE ASSEMBLY	16
WIRING ASSEMBLY	18
WIRING SCHEMATIC	20

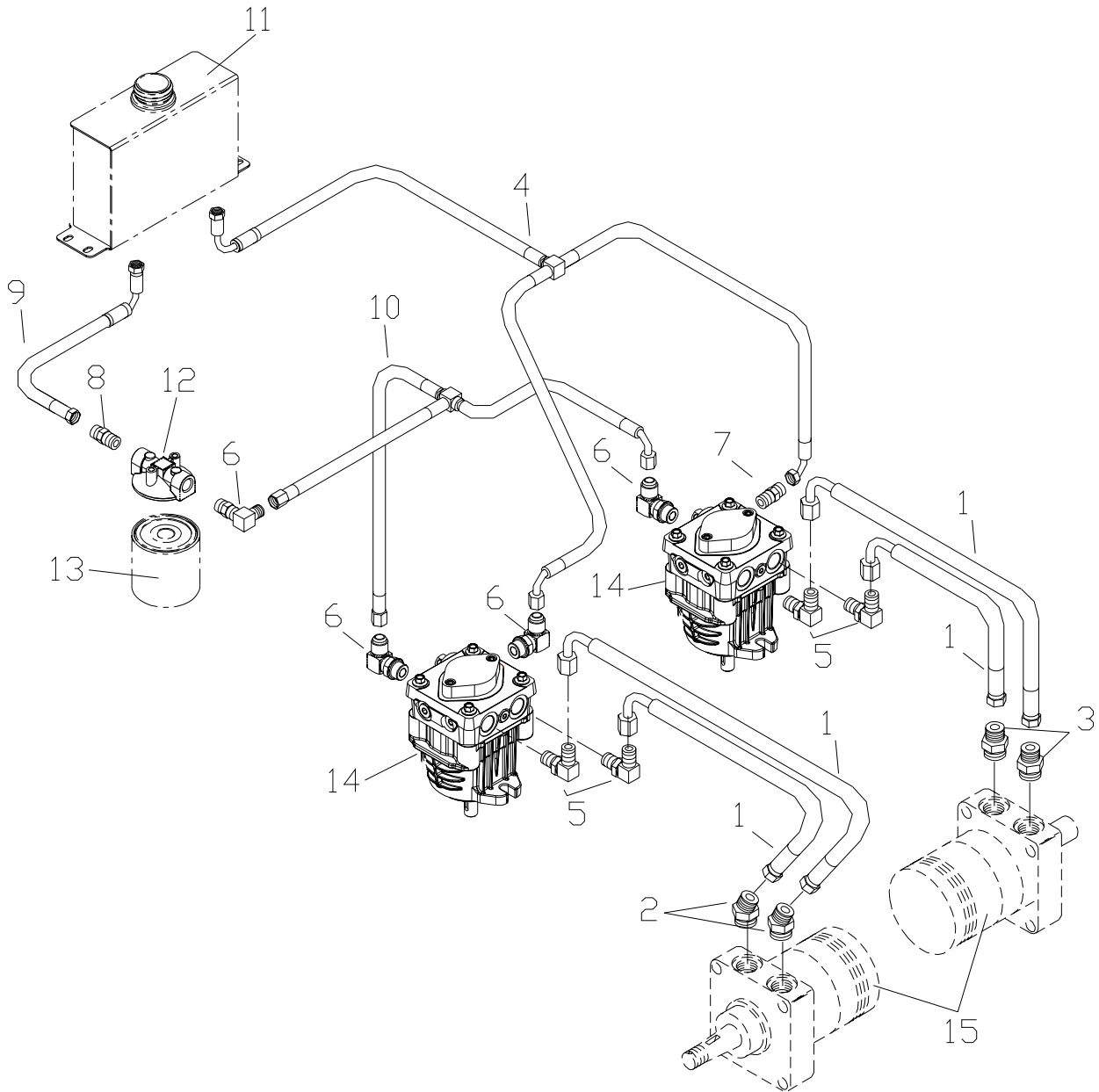
Power Unit Assembly



Power Unit Assembly

ITEM	PART NO.	QTY	DESCRIPTION	ITEM	PART NO.	QTY	DESCRIPTION
1	539101220	1	THROTTLE CABLE	41	539106491	2	MOTOR MOUNT
2	539105804	1	CLUTCH	42	539990622	8	HFCS 1/2 X 1.250
3	539106188	1	FUEL CAP	43	539101332	8	HCS 3/8 X 2.750
4	539105630	1	FUEL TANK	44	539990297	2	COTTER PIN
5	539102650	1	FUEL FITTING	45	539102717	4	SET SCR. 5/16
6	539912222	4	HOSE CLAMP	46	539990550	2	WASHER 1/2 FLAT
7	539932956	2	HOSE 10"	47	539990517	1	WASHER 3/8 FLAT
8	539916325	1	FUEL VALVE	48	539990546	14	NUT 3/8 CTR. LOCK
9	539101202	1	OIL CAP	49	539990629	2	HCS 3/8 X 2.250
10	539990580	4	HCS 1/4 X .750	50	539976979	2	NUT 3/8 NYLOC
11	539990598	4	WASHER 1/4 FLAT	51	539990646	2	HCS 1/2 X 1.00
12	539990761	6	NUT 1/4 CTR. LOCK	52	539976934	4	HCS 5/16 X .750
13	539102502	4	STUD	53	539106492	2	HCS 3/8 X 2.750
14	539990692	8	WASHER 5/16 FLAT	54	539990072	4	HCS 1/4 X .625
15	539102845	4	SPRING	55	539990052	2	WASHER 1/4 LOCK
16	539105985	1	OIL TANK	56	539105079	2	SET SCR. 5/16
17	539990184	6	NUT 5/16 CTR. LOCK	57	539106572	1	REAR DECK
18	539105826	2	HCS 5/16 X 7.000	58	539105805	2	TIRE /WHEEL ASM.
19	539105942	1	BATTERY STRAP		539105535	1	TIRE
20	539102463	1	BATTERY		539912234	1	VALVE
21	539990134	8	HCS 3/8 X .750		539104628	1	RIM
22	539105943	1	BATTERY TRAY	59	539102223	2	CLEVIS PIN
23	539105590	1	TANK SUPPORT	60	539102234	2	PUSH NUT
24	539105913	2	PUMP ARM	61	539101331	8	NUT 1/2 NYLOC
25	539104547	1	BELT SHIELD	62	539101714	1	SOLINOID
26	539104529	2	PUMP	64	539976978	3	NUT 1/4 NYLOC
27	539101224	2	SPRING	65	539102758	1	NEG CABLE
28	539101165	1	FILTER HEAD	66	539103306	2	POS. CABLE
29	539102606	1	FILTER	67	539102759	4	INSULATOR
30	539105806	2	SPACER	68	539990717	4	NUT 5/16 NYLOC
31	539106446	1	STRUT SHAFT	69	539990669	4	HCS 5/16 X 1.750
32	539105641	2	SPACER, FRONT	70	539101995	1	KEY 1/4 X 1.125
33	539101177	2	KEY, METRIC	71	539105610	1	PULLEY
34	539102228	2	PULLEY	72	539990247	1	WASHER 7/16 LOCK
35	539919078	1	IDLER PULLEY	73	539991120	1	HCS 7/16 X 2.500
36	539101228	1	BELT	74	539103251	1	TIE DOWN
37	539105577	2	STRUT	75	539923515	2	SPACER
38	539101109	2	HUB	76	539916159	2	SPRING
39	539101173	8	LUG NUT	77	539100145	1	RHSNB 3/8 X 2.000
40	539103527	2	HYD. MOTOR	78	539976998	1	ZERK
	539103664	1	SEAL KIT	79	539990254	2	WASHER 1/2 LOCK

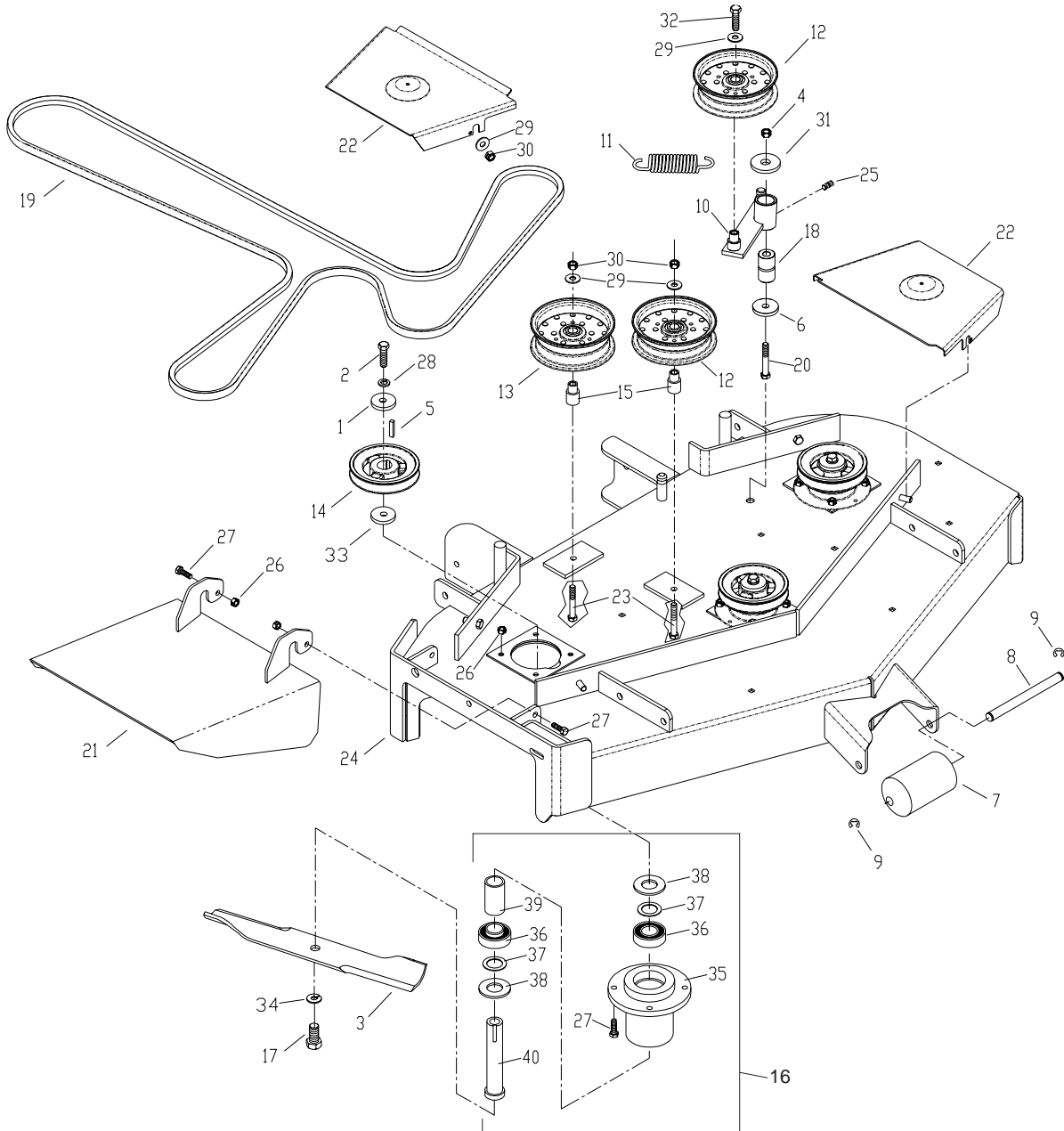
Hydraulic Assembly



Hydraulic Assembly

ITEM	PART NO.	QTY	DESCRIPTION
1	539101245	4	HOSE
2	539101243	2	45 DEGREE ELBOW
3	539101239	2	STRAIGHT CONNECTOR
4	539102229	1	TEE HOSE
5	539101242	4	90 DEGREE ELBOW
6	539101238	4	90 DEGREE ELBOW
8	539103316	2	STRAIGHT CONNECTOR
9	539101248	1	HOSE
10	539102230	1	TEE HOSE
11	539105985	1	OIL TANK
12	539101165	1	FILTER HEAD
13	539102606	1	FILTER
14	539104529	2	PUMP
15	539103527	2	HYD. MOTOR
	539103664	1	SEAL KIT

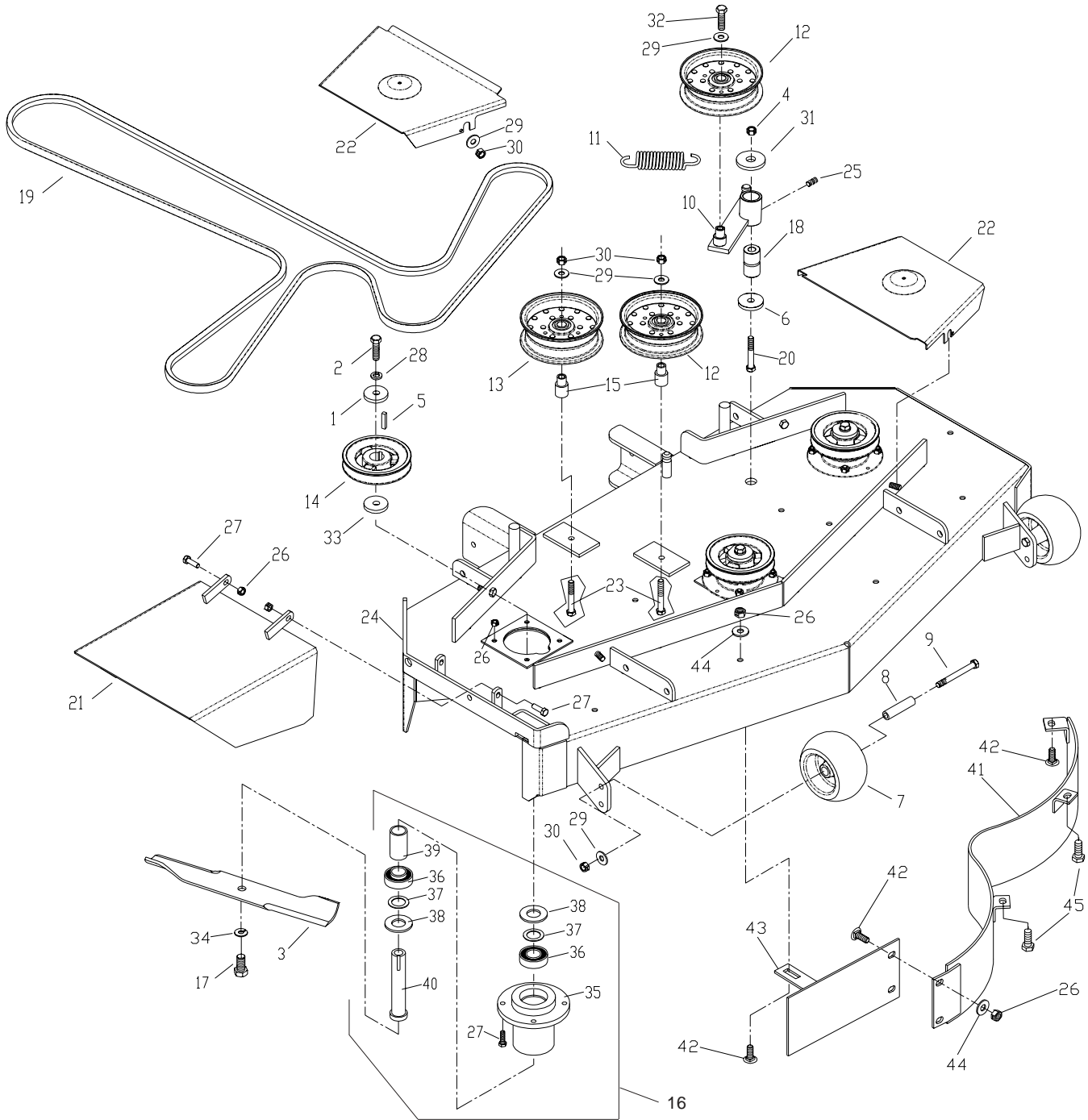
42" Front Deck Assembly



42" Front Deck Assembly

ITEM	PART NO.	QTY	DESCRIPTION
1	539106504	3	HEAVY WASHER
2	539100141	3	HCS 7/16 X 1.500
3	539103274	3	BLADE 14.875
4	539101331	1	NUT 1/2 NYLOC
5	539101995	3	KEY 1/4 X 1.125
6	539102243	1	SUPPORT WASHER
7	539976828	1	ANTI-SCALP ROLLER
8	539103437	1	ROLLER AXLE
9	539101949	2	E-RING 1/2
10	539103230	1	IDLER ARM
11	539103256	1	SPRING
12	539103257	2	IDLER PULLEY
13	539103258	1	IDLER PULLEY
14	539103283	3	PULLEY
15	539103295	2	IDLER BUSHING
16	539104403	3	COMPLETE HOUSING
17	539103299	3	HCS 5/16 X 1.250
18	539103427	1	PIVOT BUSHING
19	539105642	1	BELT
20	539103433	1	HCS 1/2 X 3.250
21	539105361	1	DEFLECTOR CHUTE
22	539105363	2	BELT SHIELD
23	539990637	2	HCS 3/8 X 2.500
24	539106575	1	DECK W/DECALS
25	539976998	1	ZERK
26	539990184	20	NUT 5/16 CTR. LOCK
27	539990209	14	HCS 5/16 X 1.000
28	539990247	3	WASHER 7/16 LOCK
29	539990517	7	WASHER 3/8 FLAT
30	539990546	6	NUT 3/8 CTR. LOCK
31	539990550	1	WASHER 1/2 FLAT
32	539990582	1	HCS 3/8 X 1.00 SERR. HD.
33	539102675	3	MACH. BUSHING
34	539990333	3	WASHER 5/8 LOCK
35	539104852	3	HOUSING
36	539102677	6	BEARING
37	539102244	6	MACH. BUSHING
38	539102675	6	MACH. BUSHING
39	539102676	3	SPACER
40	539104402	3	SPINDLE
41	539105439	1	MAIN BAFFLE
42	539990799	4	RHSNB 5/16 X .625
43	539105435	1	CENTER BAFFLE
44	539990692	6	WASHER 5/16 FLAT
45	539976934	2	HCS 5/16 X .750

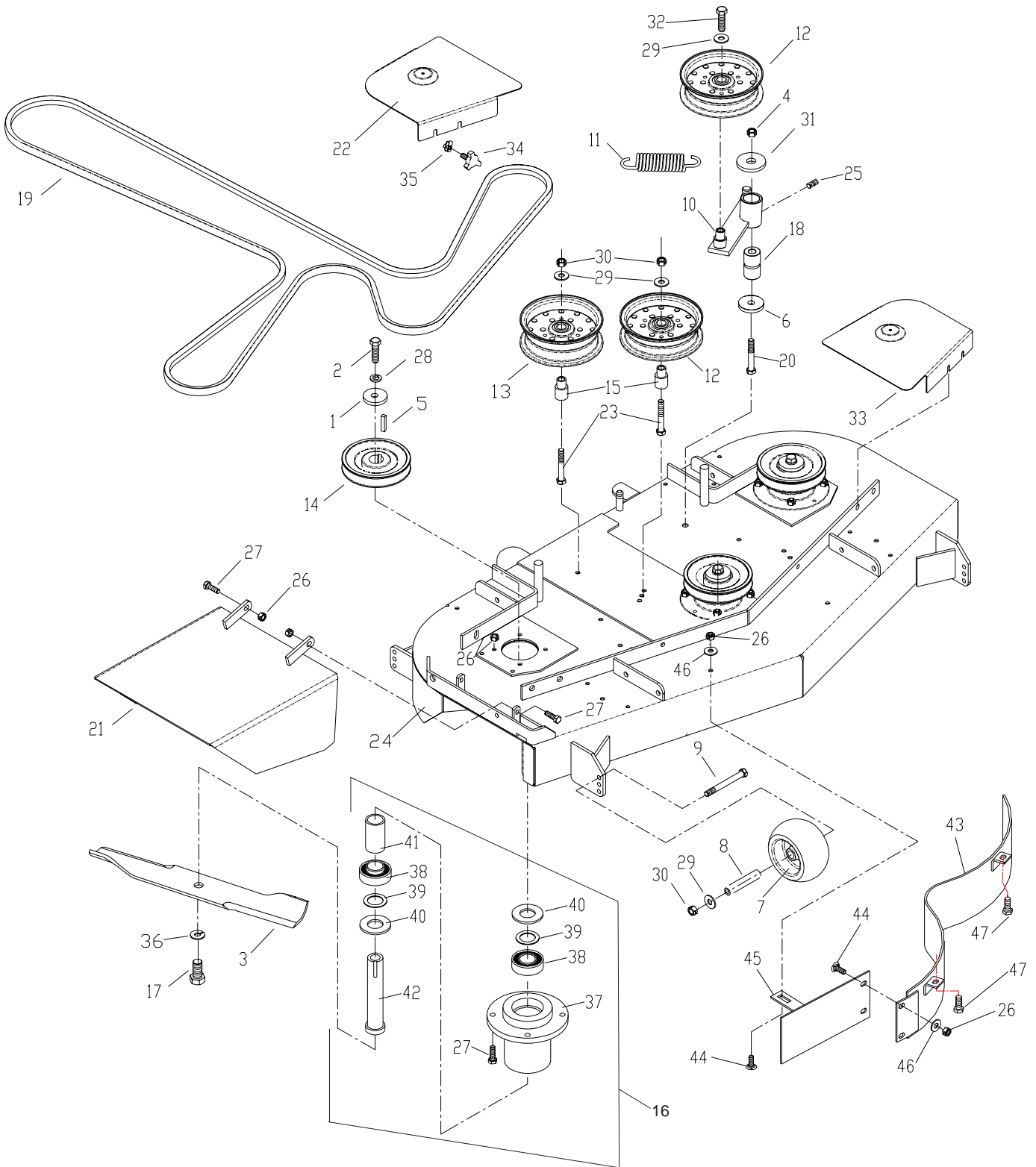
48" Front Deck Assembly



48" Front Deck Assembly

ITEM	PART NO.	QTY	DESCRIPTION
1	539106504	3	HEAVY WASHER
2	539100141	3	HCS 7/16 X 1.500
3	539100340	3	BLADE 16.250
4	539101331	1	NUT 1/2 NYLOC
5	539101995	3	KEY 1/4 X 1.125
6	539102243	1	SUPPORT WASHER
7	539102643	2	ANTI-SCALP ROLLER
8	539102698	2	BUSHING
9	539102754	2	HCS 3/8 X 3.500
10	539103230	1	IDLER ARM
11	539103256	1	SPRING
12	539103257	2	IDLER PULLEY
13	539103258	1	IDLER PULLEY
14	539103283	3	PULLEY
15	539103295	2	IDLER BUSHING
16	539104403	3	COMPLETE HOUSING
17	539103299	3	HCS 5/16 X 1.250
18	539103427	1	PIVOT BUSHING
19	539105644	1	BELT
20	539103433	1	HCS 1/2 X 3.250
21	539104546	1	DEFLECTOR CHUTE
22	539104605	2	BELT SHIELD
23	539990637	2	HCS 3/8 X 2.500
24	539106576	1	DECK W/DECALS
25	539976998	1	ZERK
26	539990184	20	NUT 5/16 CTR. LOCK
27	539990209	14	HCS 5/16 X 1.000
28	539990247	3	WASHER 7/16 LOCK
29	539990517	7	WASHER 3/8 FLAT
30	539990546	6	NUT 3/8 CTR. LOCK
31	539990550	1	WASHER 1/2 FLAT
32	539990582	1	HCS 3/8 X 1.00 SERR. HD.
33	539102675	3	MACH. BUSHING
34	539990333	3	WASHER 5/8 LOCK
35	539104852	3	HOUSING
36	539102677	6	BEARING
37	539102244	6	MACH. BUSHING
38	539102675	6	MACH. BUSHING
39	539102676	3	SPACER
40	539104402	3	SPINDLE
41	539105448	1	MAIN BAFFLE
42	539990799	4	RHSNB 5/16 X .625
43	539105444	1	CENTER BAFFLE
44	539990692	6	WASHER 5/16 FLAT
45	539976934	2	HCS 5/16 X .750

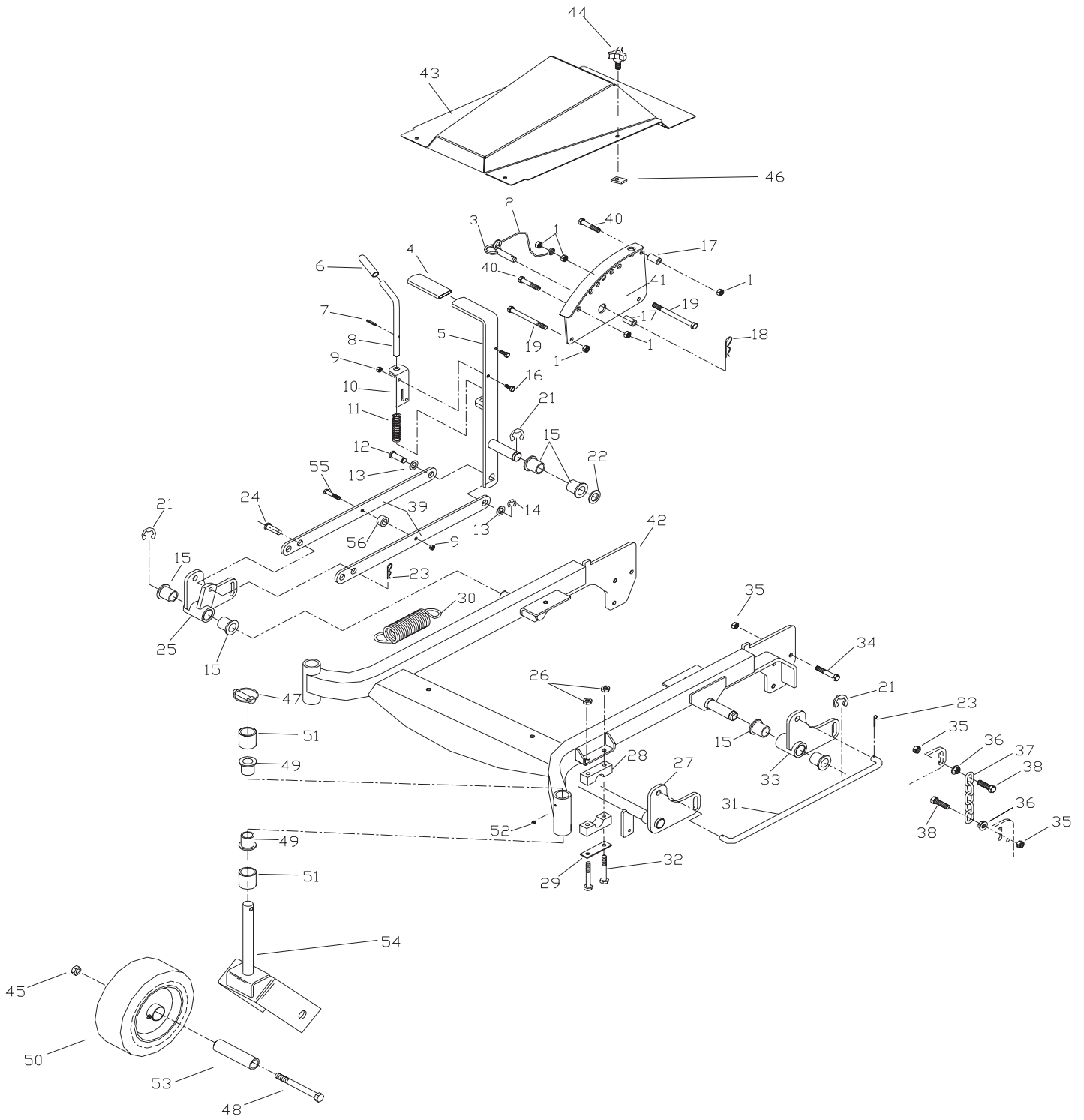
52" Front Deck Assembly



52" Front Deck Assembly

ITEM	PART NO.	QTY	DESCRIPTION
1	539106504	3	HEAVY WASHER
2	539100141	3	HCS 7/16 X 1.500
3	539100341	3	BLADE 18.00
4	539101331	1	NUT 1/2 NYLOC
5	539101995	3	KEY 1/4 X 1.125
6	539102243	1	SUPPORT WASHER
7	539102643	2	ANTI-SCALP ROLLER
8	539102698	2	BUSHING
9	539102754	2	HCS 3/8 X 3.500
10	539103230	1	IDLER ARM
11	539105192	1	SPRING
12	539103257	2	IDLER PULLEY
13	539103258	1	IDLER PULLEY
14	539104421	3	PULLEY
15	539103295	2	IDLER BUSHING
16	539104403	3	COMPLETE HOUSING
17	539103299	3	HCS 5/16 X 1.250
18	539103427	1	PIVOT BUSHING
19	539105643	1	BELT
20	539103433	1	HCS 1/2 X 3.250
21	539107312	1	DEFLECTOR CHUTE
22	539106448	2	BELT SHIELD
23	539990637	2	HCS 3/8 X 2.500
24	539106582	1	DECK W/DECALS
25	539976998	1	ZERK
26	539990184	19	NUT 5/16 CTR. LOCK
27	539990209	14	HCS 5/16 X 1.000
28	539990247	3	WASHER 7/16 LOCK
29	539990517	5	WASHER 3/8 FLAT
30	539990546	5	NUT 3/8 CTR. LOCK
31	539990550	1	WASHER 1/2 FLAT
32	539990582	1	HCS 3/8 X 1.00 SERR. HD.
33	539106449	1	BELT SHIELD
34	539104411	6	KNOB
35	539104763	6	U-CLIP
36	539990333	3	WASHER 5/8 LOCK
37	539104852	3	HOUSING
38	539102677	6	BEARING
39	539102244	6	MACH. BUSHING
40	539102675	6	MACH. BUSHING
41	539102676	3	SPACER
42	539104402	3	SPINDLE
43	539105457	1	MAIN BAFFLE
44	539990799	3	RHSNB 5/16 X .625
45	539105453	1	CENTER BAFFLE
46	539990692	5	WASHER 5/16 FLAT
47	539976934	2	HCS 5/16 X .750

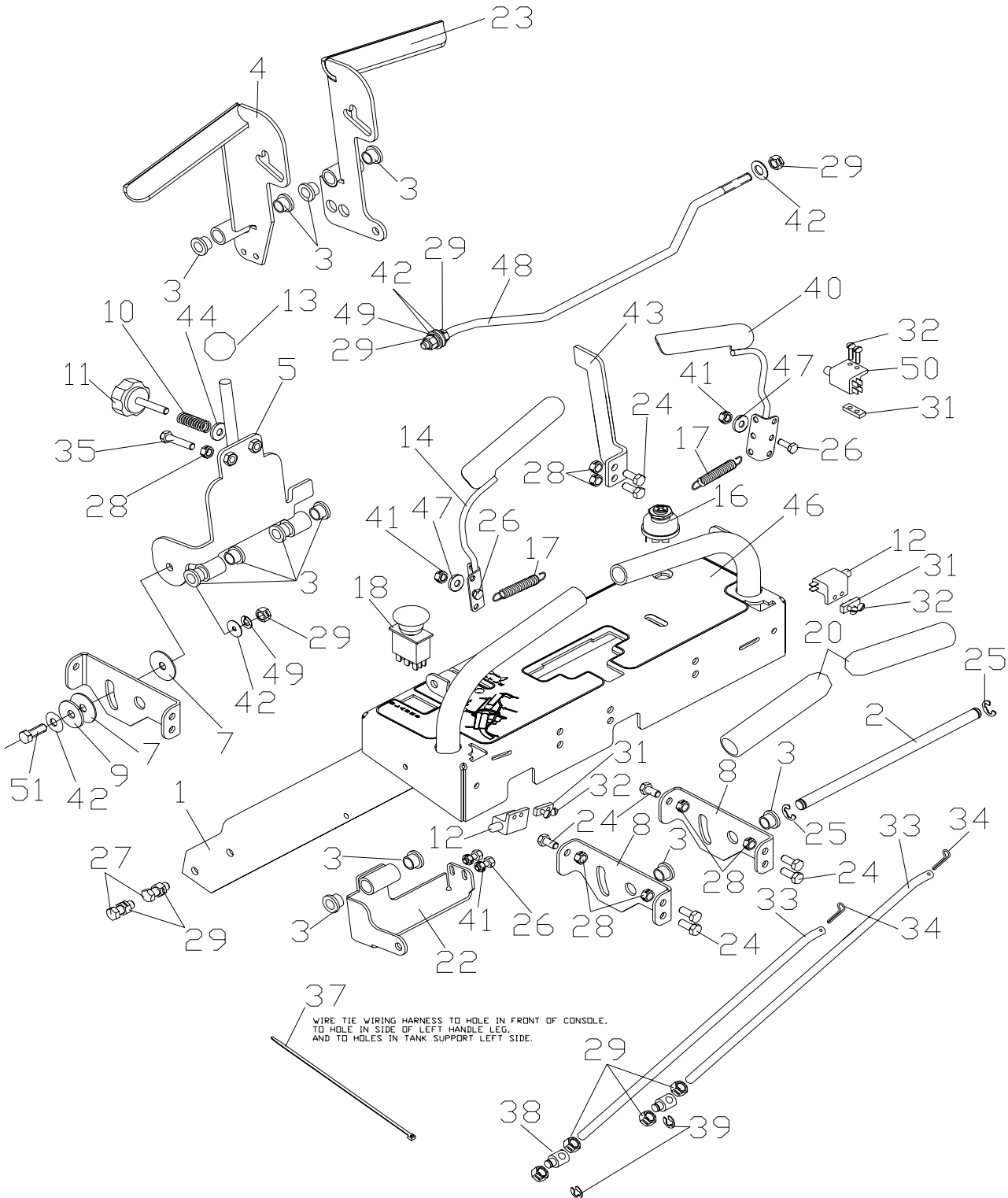
Frame Assembly



Frame Assembly

ITEM	PART NO.	QTY	DESCRIPTION	ITEM	PART NO.	QTY	DESCRIPTION
1	539990546	5	NUT 3/8 CTR. LOCK	33	539104607	1	BELLCRANK LT.
2	539102563	1	LANYARD	34	539100143	8	HCS 7/16 X 1.000
3	539102526	1	LIFT PIN	35	539990839	16	NUT 7/16 CTR. LOCK
4	539102515	1	GRIP	36	539102582	8	NUT 7/16 WHIZ
5	539105604	1	LIFT LEVER	37	539102641	4	LIFT CHAIN
6	539101050	1	GRIP	38	539101175	8	HCS 7/16 X 1.500
7	539106532	1	PIN	39	539106622	2	FLAT LINKAGE
8	539104523	1	PIN	40	539990588	3	HCS 3/8 X 2.000
9	539990761	3	NUT 1/4 CTR. LOCK	41	539105582	1	HEIGHT ADJ. PLATE
10	539103534	1	PIN MOUNT	42	539106595	1	FRAME
11	539101058	1	SPRING	43	539106064	1	HOOD
12	539105060	1	CLEVIS PIN	44	539104411	4	KNOB
13	539991043	2	MACH. BUSHING	45	539101331	2	NUT 1/2 NYLOC
14	539105069	1	E-RING .625	46	539104763	4	U-CLIP
15	539101232	6	FLANGE BUSHING	47	539101874	2	LYNCH PIN 7/16
16	539990580	2	HCS 14/ X .750	48	539101907	2	HCS 1/2 X 5.500
17	539104530	2	SPACER	49	539106656	4	MACH. BUSHING
18	539976989	1	HAIRPIN	50	539104594	2	WHEEL AND TIRE ASM.
19	539990591	2	HCS 3/8 X 4.500	539106993	2	TIRE ASM -
20	539104761	2	ZERK	AFTER 04/2002
21	539101802	3	E-RING .875	539103495	1	TIRE
22	539923787	1	MACH. BUSHING	539106995	1	TIRE - AFTER 04/2002
23	539990365	1	COTTER PIN	539104600	1	RIM
24	539977703	1	CLEVIS PIN	539106994	1	RIM - AFTER 04/2002
25	539104606	1	BELLCRANK RT.	539912234	1	VALVE
26	539990184	4	NUT 5/16 CTR. LOCK	539103300	1	ZERK
27	539104608	1	LIFT WLDMT.	539102484	1	END CAP
28	539104808	4	PILLOW BLOCK	539977356	1	NOTCHED END CAP
29	539104807	2	REINF. PLATE	539105307	1	ROLLER BEARING
30	539102642	1	SPRING	51	539106598	4	SPACER
31	539105652	2	CONNECTING ROD	52	539976998	2	ZERK
32	539991046	4	HCS 5/16 X 2.500	53	539105543	2	SPACER
				54	539106588	2	CASTER YOKE
				55	539100266	1	HCS 1/4 X 1.250
				56	539923515	1	SPACER

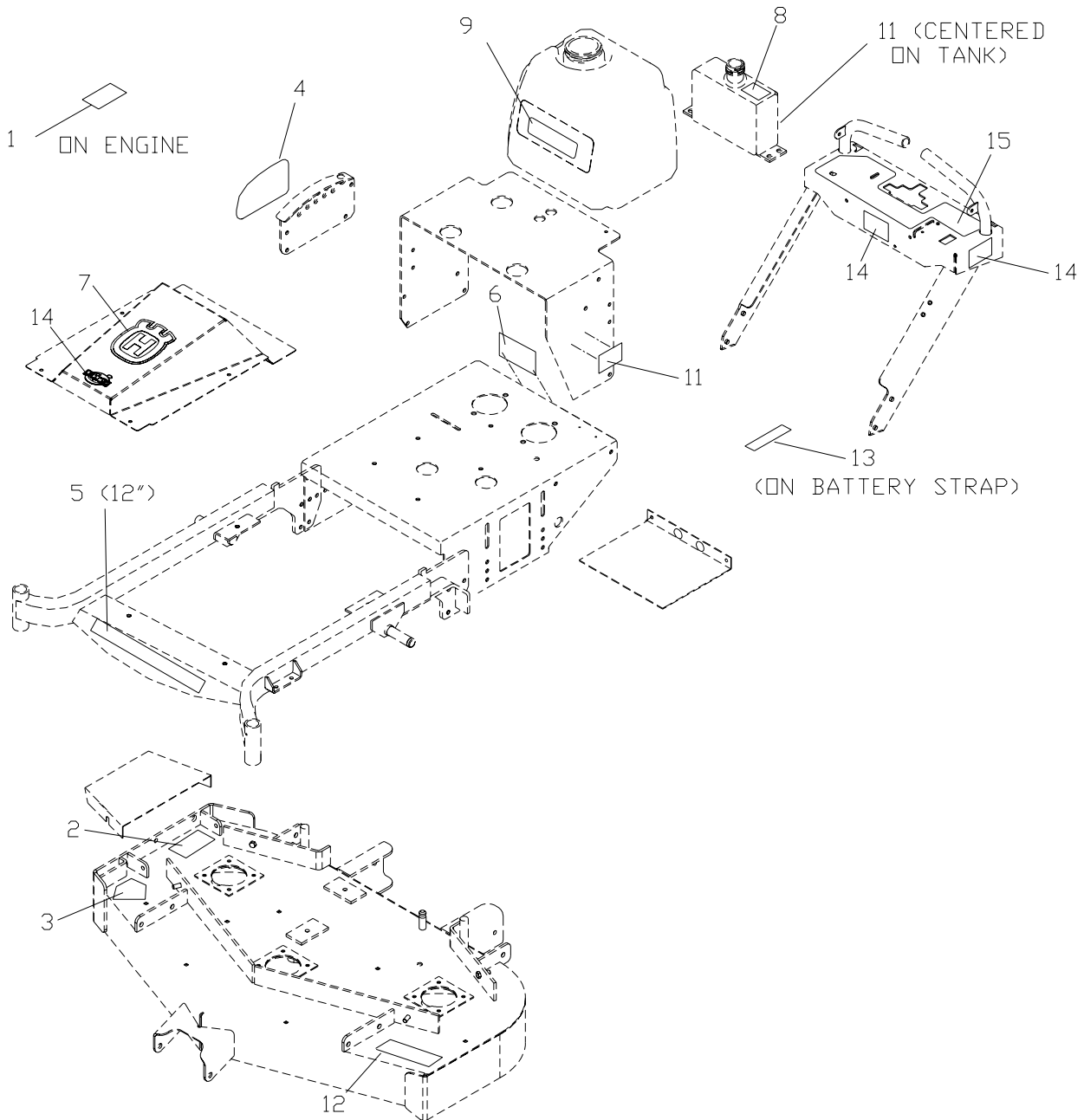
Handle Assembly



Handle Assembly

ITEM	PART NO.	QTY	DESCRIPTION
1	539106601	1	HANDLE
2	539105877	1	SHAFT
3	539100032	12	FLANGE BUSHING
4	539105818	1	PADDLE LH.
5	539105820	1	NEUTRAL BAR
7	539102998	2	FRICTION WASHER
8	539105830	2	CROSSBRACE
9	539990550	1	WASHER 1/2 FLAT
10	539101224	1	SPRING
11	539103003	1	KNOB
12	539923408	2	SWITCH N.C.
13	539100147	1	KNOB
14	539105834	1	OP LEVER LH.
16	539101770	1	IGNITION SWITCH W/KEY
	539104812	1	KEY, PADDED (NOT SHOWN)
	539103177	1	NUT, SWITCH(NOT SHOWN)
	539103178	1	CAP, SWITCH(NOT SHOWN)
17	539977250	2	SPRING
18	539101768	1	CLUTCH SWITCH
20	539105842	2	GRIP
22	539105880	1	TAB WLDMT. LH.
23	539105824	1	PADDLE RH.
24	539976934	8	HCS 5/16 X .750
25	539101949	2	E-RING 1/2
26	539990072	4	HCS 1/4 X .625
27	539990563	4	HCS 3/8 X 1.000
28	539990184	9	NUT 5/16 CTR. LOCK
29	539990546	12	NUT 3/8 CTR. LOCK
31	539102678	3	TAPPED PLATE
32	539976952	6	SCREW #10-24
33	539105840	2	LINKAGE
34	539990365	2	COTTER PIN
35	539990627	1	HCS 5/16 X 1.250
37	539976856	3	WIRE TIE
38	539106480	2	SWIVEL
39	539990870	2	RET. RING
40	539105952	1	OP LEVER RH.
41	539990761	4	NUT 1/4 CTR. LOCK
42	539990517	5	WASHER 3/8 FLAT
43	539105963	1	STOP PLATE
44	539990692	1	WASHER 5/16 FLAT
46	539105996	1	CONSOLE DECAL
47	539990598	2	WASHER 1/4 FLAT
48	539105821	1	NUETRAL BAIL
49	539990118	2	WASHER 3/8 LOCK
50	539101080	1	SAFETY SWITCH
51	539990143	1	HCS 3/8 X 1.250

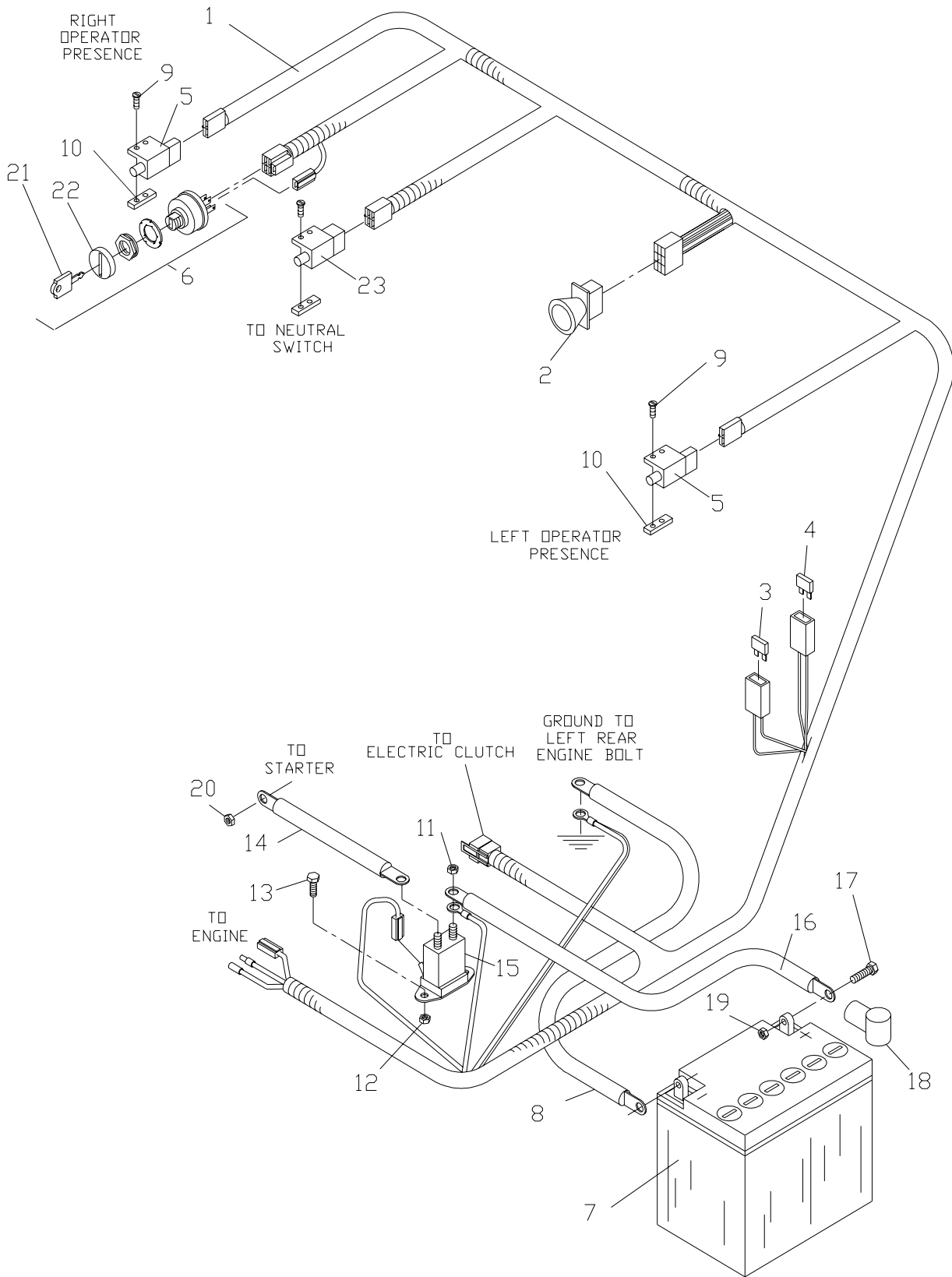
Decal Assembly



Decal Assembly

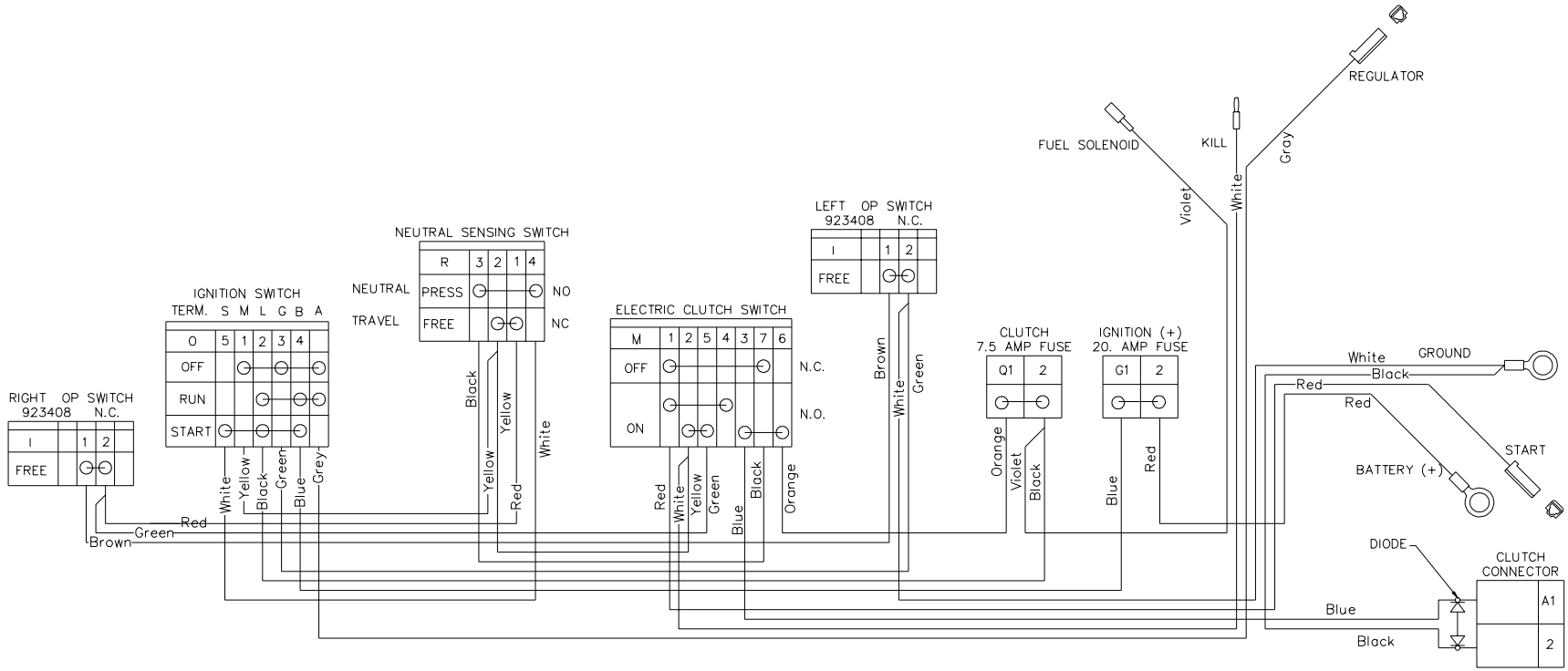
ITEM	PART NO.	QTY	DESCRIPTION
1	539101881	1	DECAL, PROP 65
2	539105746	1	DECAL, DANGER
3	539913010	1	DECAL, WARNING
4	539105629	1	DECAL, HEIGHT ADJ.
5	539200732	1	DECAL, HUSQVARNA
6	539105744	1	DECAL, BELT DRIVES
7	539105803	1	DECAL, LARGE CROWN
8	539105301	1	DECAL, MOBIL 1
9	539105993	1	DECAL, WHF4215
	539105991	1	DECAL, WHF4818
	539105994	1	DECAL, WHF5218
11	539104789	2	DECAL, CROWN
12	539105071	1	DECAL, NASCAR
13	539105745	1	DECAL, BATTERY
14	539106599	4	DECAL, ETS
15	539105996	1	DECAL, CONSOLE

Wiring Assembly



Wiring Assembly

ITEM	PART NO.	QTY	DESCRIPTION
1	539105627	1	WIRING HARNESS
2	539101768	1	CLUTCH SWITCH
3	539102086	1	FUSE 20 AMP
4	539101771	1	FUSE 7.5 AMP
5	539923408	2	SWITCH N. C.
6	539101770	1	IGNITION SWITCH
	539103177	1	NUT, SWITCH
7	539102463	1	BATTERY
8	539102758	1	NEG. CABLE
9	539976952	6	SCREW #10-24
10	539102678	3	TAPPED PLATE
11	539976978	2	NUT 1/4
12	539990372	2	NUT 1/4 LOCK
13	539990072	2	HCS 1/4 X .625
14	539102757	1	POS. CABLE
15	539101714	1	SOLINOID
16	539103306	1	POS. CABLE LONG
17	539976934	2	HCS 5/16 X .750
18	539102759	1	INSULATOR
19	539990184	2	NUT 5/16 CTR. LOCK
20	539976978	1	NUT 1/4 NYLOC
21	539104812	1	KEY
22	539103178	1	COVER
23	539101080	1	2 POLE SWITCH



Wiring Schematic

 **Husqvarna**