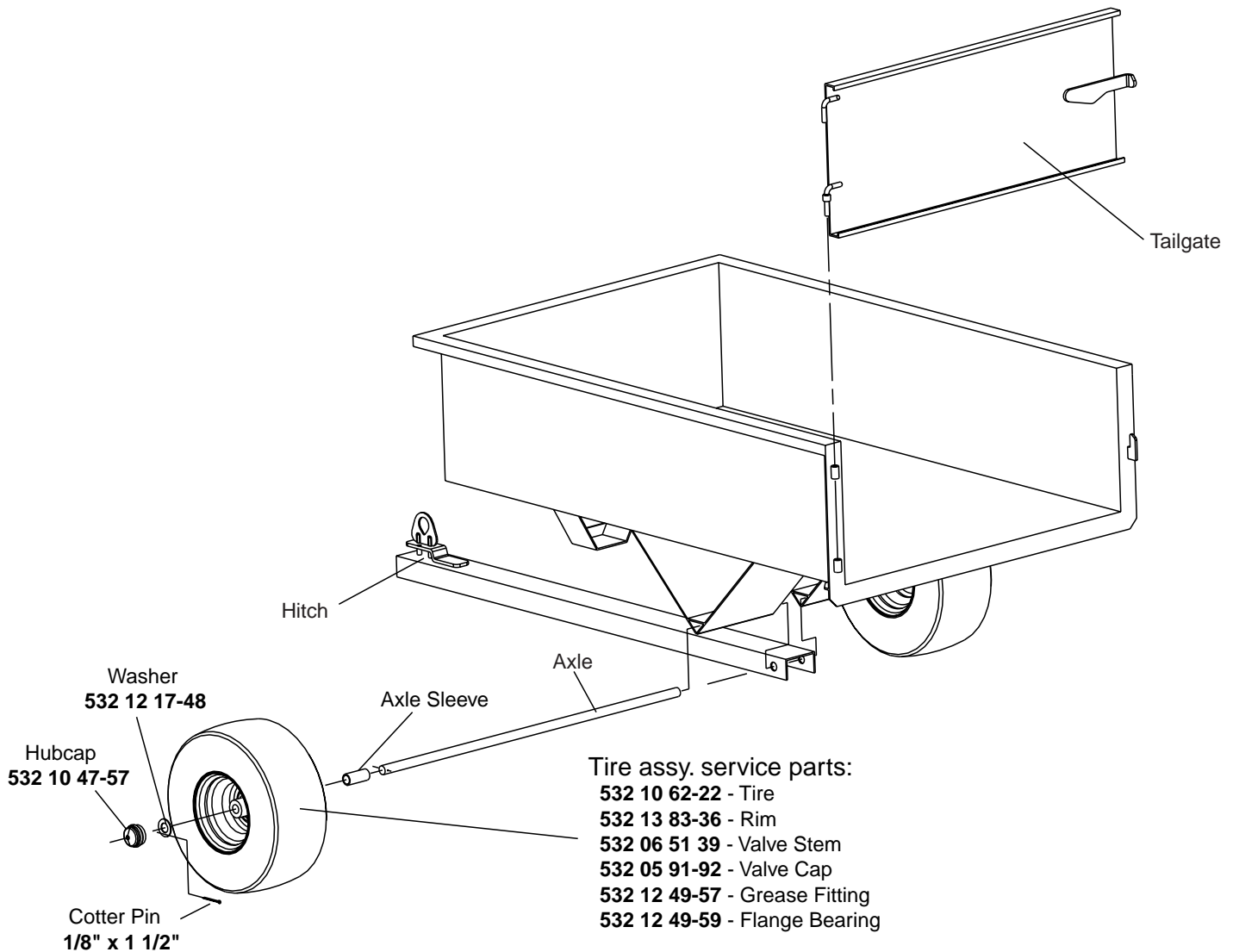


# Husqvarna HDC-10

## Heavy Duty Dump Cart



### Assembly Instructions

1. Remove all parts from box.
2. Remove foam packing sleeves from axle.
3. Place axle in one side of axle support (V shape on underside of cart).
4. Install hitch (black channel) with 3/4" hole aligned with axle (make sure hitch & dump handle are facing up). Push axle through to secure hitch.
5. Install axle sleeve (black steel tubing).
6. Install tire assembly (valve stem facing out).
7. Install large flat washer.
8. Install cotter pin and bend around to clear outside diameter of washer.
9. Install black hubcap over washer.
10. Repeat installation on other side.
11. Using a grease gun, lubricate grease fitting on each wheel until grease is visible between axle and wheel bushing.