



Operators Manual

Models:

968999131/DT22H5NRA

968999212/DT22B5NRA

968999213/DT22B5FA

968999243/DT22H5FA

968999244/DT22B5DSA (SD22)

968999247/DT22NEFA

TABLE OF CONTENTS

Operating Instructions for Lawn Dethatcher with supplement for accessories

| | | | |
|--|-----------|------------------------------------|-----------|
| Introduction | 3 | Operation | 16 |
| Congratulations | 3 | Before you start | 16 |
| Use | 3 | Starting | 16 |
| Insure your machine | 3 | Finishing | 16 |
| Good service | 3 | Maintenance | 17 |
| Serial number | 3 | Maintenance schedule | 17 |
| Symbols and decals | 4 | Cutting unit | 18 |
| Decals and machine-bound instructions ... | 4 | Two minute rule | 22 |
| Location of decals | 5 | Cleaning and washing | 22 |
| Translation of instructions | 6 | Lubrication | 23 |
| Safety instructions | 7 | Lubrication schedule | 23 |
| General use | 7 | General | 23 |
| Preparations | 8 | Blades | 24 |
| Operating | 9 | Handle | 24 |
| Movement/Transport | 9 | Troubleshooting | 25 |
| Storage | 9 | Storage | 26 |
| Children | 10 | Winter storage | 26 |
| Fuel system | 10 | Service | 26 |
| Maintenance | 11 | Assembly instructions | 27 |
| Presentation | 12 | Assembly – delivery service | 27 |
| Presentation | 12 | Service journal | 28 |
| Controls | 13 | | |
| Main components and operating instruments | 13 | | |
| Engine | 14 | | |
| Cutting unit | 14 | | |
| Blade versatility | 15 | | |
| Setting blade height | 15 | | |

INTRODUCTION

Congratulations

Thank you for purchasing a Husqvarna lawn care product. Through your confidence in us, you have chosen an exceptionally high quality product.

This manual is a valuable document. It describes your new Husqvarna machine. Read the manual carefully before attempting to use the machine. Following the instructions (use, service, maintenance, etc.) can considerably increase the lifespan of your machine and even increase its resale value. Please contact your dealer for more information.

If you sell your Husqvarna machine, make sure to give the operator's manual to the new owner.

Use

The dethatcher is used to remove the layer of thatch and surface-treat lawns, i.e. power-raking, de-mossing and collecting thatch in the form of old grass or moss. With an attachment, it can also be used for seeding, both in initial sowing or overseeding.

Insure your machine

Contact your insurance company to check on insurance coverage for your new machine. You should have all-inclusive insurance for liability, fire, damage and theft.

Good service

Before the machine was delivered it underwent inspection and was adjusted by your dealer. When you need spare parts or support in service questions, warranty issues, etc., please consult the following professional:

| | |
|---|----------------|
| | |
| This Operator's Manual belongs to machine with serial number: | Engine number: |

Serial number

The machine's serial number can be found on the printed plate attached to the rear side panel of the machine. The plate includes the following information:

- The machine's type designation (MODEL).
- The machine's serial number (S/N).

Please state the type designation and serial number when ordering spare parts.

The engine's serial number is printed on the engine.

The engine type is specified on the crankcase under the air filter but also appears on the decal on the starter.

Please state engine serial number and type when ordering replacement engine parts.

SYMBOLS AND DECALS

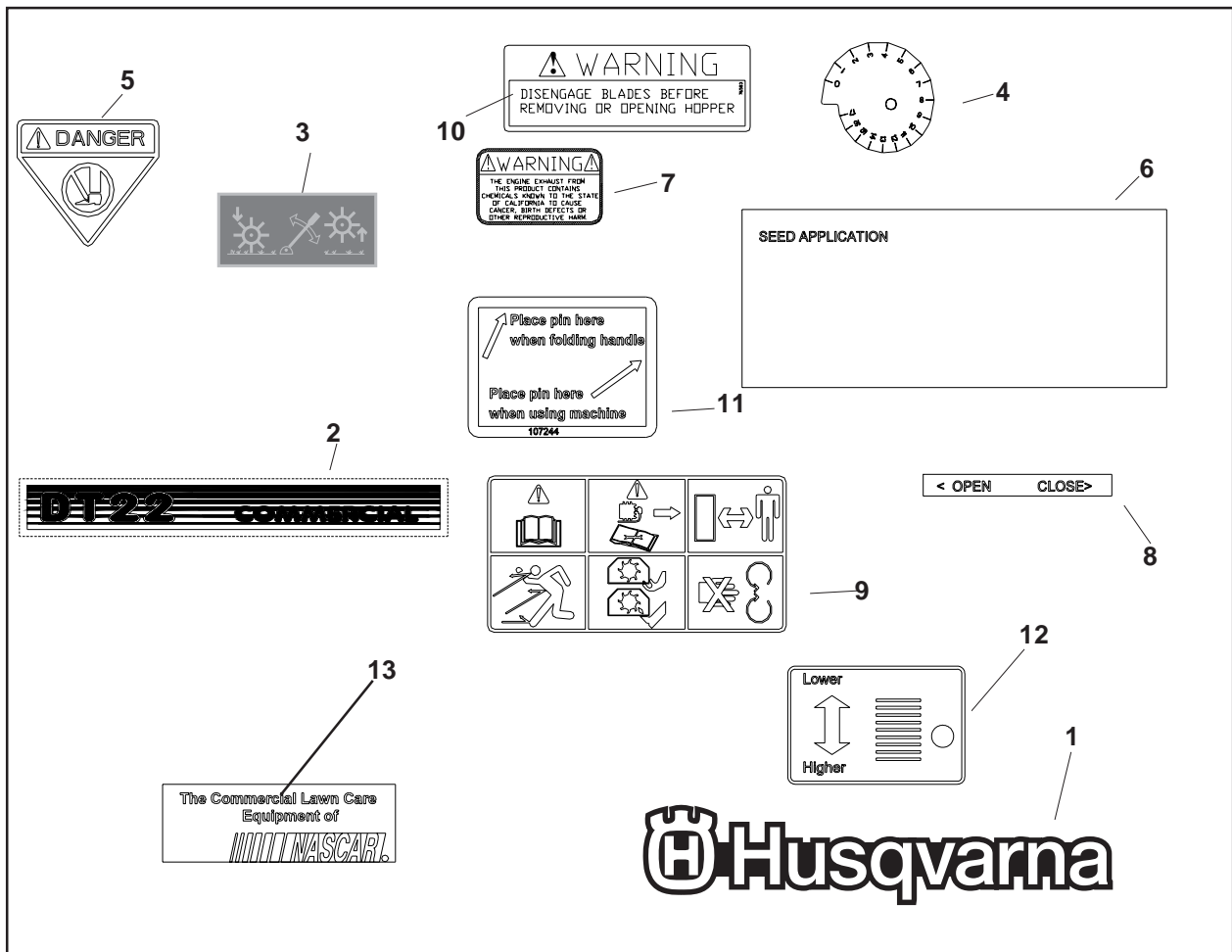


Used in this publication to notify the reader of a risk of **personal injury**, particularly if the reader **DOES NOT** follow the instructions given in the manual.



Used in this publication to notify the reader of a risk of **material damage**, particularly if the reader **DOES NOT** follow the instructions given in the manual. Used also when there is a potential for misuse or misassembly.

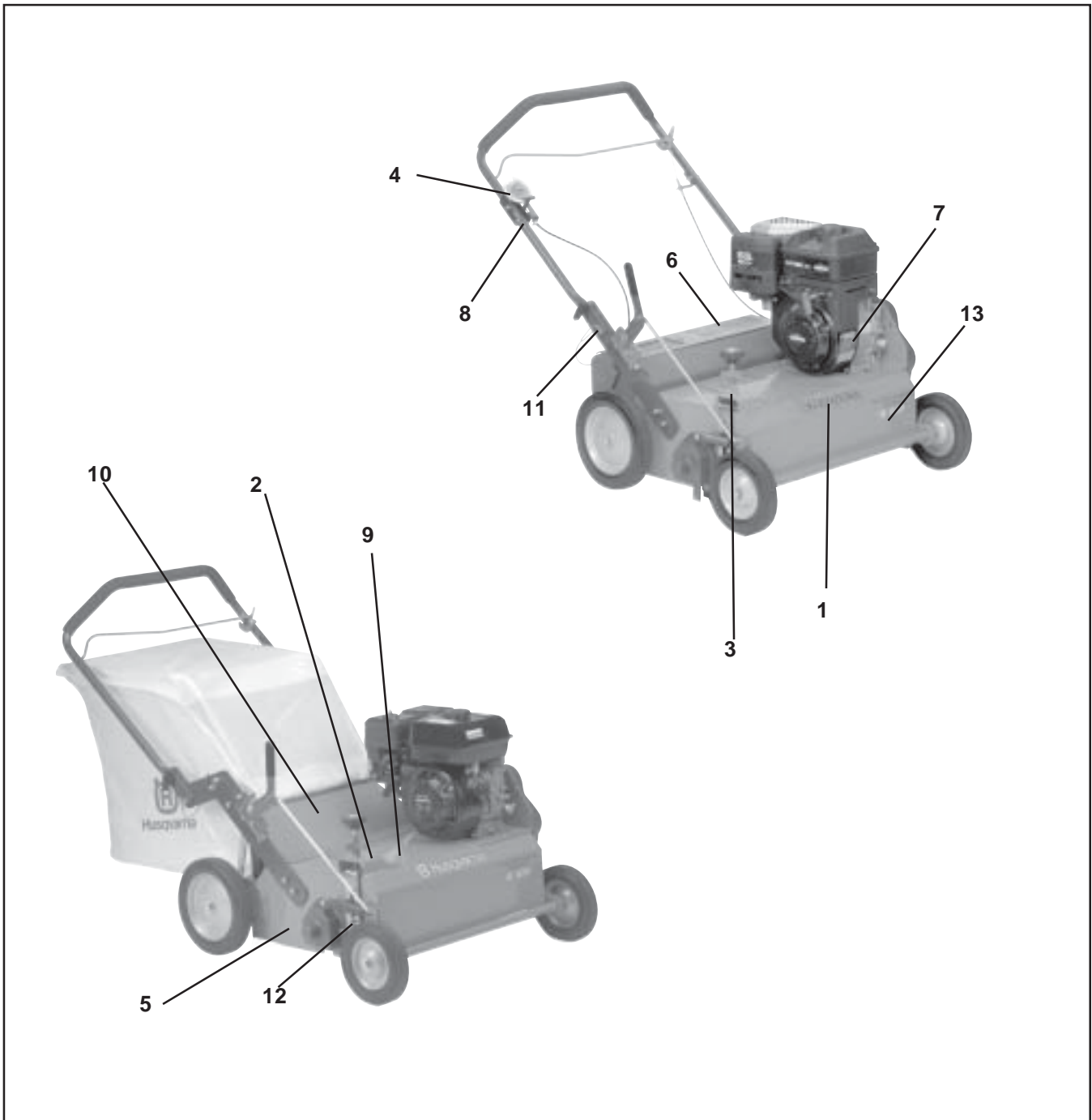
Decals and machine-bound instructions



1. Husqvarna logo
2. Model designation DT22
3. Height adjust
4. Seeder Dial
5. DANGER watch your feet
6. Seed application chart
7. Warning for carbon monoxide
8. Open/Close (Seedbox)
9. Caution graphics
10. Warning for bagger
11. Handle folding instructions
12. Height
13. Nascar Decal

SYMBOLS AND DECALS

Location of decals



1. Husqvarna logo
2. Model designation DT22
3. Height adjust
4. Seeder Dial
5. DANGER watch your feet
6. Seed application chart
7. Warning for carbon monoxide

8. Open/Close (Seedbox)
9. Caution graphics
10. Warning for bagger
11. Handle folding instructions
12. Height
13. Nascar Decal

SYMBOLS AND DECALS

Translation of instructions

Decal 6

Seed application chart

Values are approximate; quantities of seed depend on the speed at which the machine is run. Faster running speed results in sparser sowing.

Preparing the lawn

- Cut the grass to approximately 1/2" lower than you normally would.
- Do not water before sowing.
- Remove the layer of old grass cuttings (thatch).
- Aerate the lawn with a ground aerator of the coring type.
- Fertilize the lawn.

Seed application recommendations

- For best results, sow in two directions with a 45° angle between.
- Water generously immediately afterward and continue watering moderately for 10–14 days to keep the soil moist.
- After germination, water sporadically to encourage root growth.

Decal 7

Warning

Engine exhaust, some of its constituents and certain vehicle components contain or emit chemicals considered by the State of California to cause cancer, birth defects or other reproductive harm. The engine emits carbon monoxide, which is a colorless, poisonous gas. Do not use the machine in enclosed spaces.

Decal 9

Important information

Read and make sure you understand the Operator's Manual before use or maintenance.

To obtain a replacement manual, please contact your dealer.

Observe all safety instructions; otherwise you may injure yourself or others around you.

Make sure that the machine is in serviceable condition prior to use.

Make sure that all protective devices are in place when the machine is in use.

Stop the engine and wait until all machine movement comes to a standstill before service, adjustment or cleaning.

Do not run the engine in poorly ventilated spaces.

Make sure nobody is in the vicinity of the machine before starting and during use.

Avoid slopes that are too steep to use the machine safely.

Clear any debris from the lawn prior to use.

SAFETY INSTRUCTIONS

General use

The object of this manual is to help you use your Husqvarna machine safely and to give you information about how to maintain your machine. Please read the manual carefully before attempting to use the machine.

If after reading the operator's manual you are still unsure about the safety risks associated with use of the machine, you should not use the machine. Please contact your dealer for more information.

These safety instructions only address the basics for safe use. It would be impossible in the safety instructions to describe all possible risk situations that could arise when using the machine. You can, however, prevent accidents by always using common sense.

To obtain extra copies of the operator's manual, please contact your dealer.

IMPORTANT INFORMATION

Do not use the machine until you have read the operator's manual carefully and understand the instructions given. All maintenance work or adjustments not described in this manual must be performed by an authorized Husqvarna service workshop.

- Read this manual carefully and make sure you understand it before using the machine or performing any maintenance. If the user cannot read this manual, it is the responsibility of the machine owner to explain the contents to the user.
- Follow all safety instructions. Failure to do so may result in injury to yourself or others.
- Accident prevention regulations, other general safety regulations, occupational safety rules and traffic regulations must be followed without fail.
- All users shall be trained in use of the machine. The owner is responsible for training users.
- Engage an authorized Husqvarna workshop for all service and repairs not described in this manual.



WARNING!

Under no circumstances may the original design of the machine be modified without written approval from the manufacturer. Such modifications not only affect the performance and durability of the machine but may even pose a safety risk for users and those in the vicinity. Unauthorized modifications to the design of the machine may absolve the manufacturer from liability for any resulting personal injury or property damage. Modifying the machine without written approval from the manufacturer may void the guarantee.

- Husqvarna original spare parts are designed and specified to maintain high quality and correct fit for optimal durability and lifespan. From a safety point of view, you should only use Husqvarna original spare parts.
- Check that all safety decals are in place. See the chapter "Symbols and Decals".
- Learn how to use the machine and its controls safely and learn to recognize the safety decals.
- Only use the machine for sowing and dethatching lawns. It is not intended for any other use.
- Check that the machine is in serviceable condition prior to use; see the chapter "Maintenance/Maintenance schedule".
- Only use the machine in daylight or in other well-lit conditions. Keep the machine a safe distance from holes or other irregularities in the ground. Pay attention to other possible risks.
- Only allow the machine to be used by adults who are familiar with its use.

SAFETY INSTRUCTIONS

- Never allow children or persons not trained in the use of the machine to use or service it. Local laws may regulate the age of the user.
- People and animals can distract you causing you to lose control of the machine. For this reason, you should always concentrate and focus on the task at hand.
- Never leave the machine unsupervised with the engine running.
- Make sure that other people are nearby when you are using the machine so that you can call for help should an emergency arise.
- The machine is tested and approved only with the equipment originally provided or recommended by the manufacturer.



WARNING!

The engine can become very hot. To avoid being burned, you must turn off the engine and wait until all parts have cooled before touching the engine.



WARNING!

Overexposure to vibration may lead to circulatory or nerve damage, particularly in people who have impaired circulation. Contact your doctor if you experience symptoms that could have been caused by overexposure to vibration. Examples of common symptoms include numbness, pain, muscle weakness, change of skin color or an uncomfortable feeling of tingling. These symptoms appear most frequently in the fingers, hands or wrists.



WARNING!

Always use approved protective clothing and approved protective equipment when using the machine. Protective clothing and protective equipment cannot eliminate the risk of accidents, but wearing proper clothing and the correct equipment will reduce the degree of injury should an accident occur. Ask your dealer about approved protective clothing and approved protective equipment recommended by Husqvarna.

Preparations

- Make sure that you always have first aid equipment at hand when using the machine.
- Make sure nobody else is in the vicinity of the machine when you start the engine, engage the drive or run the machine.
- Make sure animals and people maintain a safe distance from the machine.
- Clear the area of objects such as stones, toys, steel wire, etc. that could become caught in moving machine parts and thrown out.
- Find and locate all fixed objects in the ground, such as sprinkler systems, poles, water valves, bases for washing lines, etc. Be certain to check for hidden electrical cables or similar in the surface of the lawn. Always run the machine around these objects. Never intentionally run the machine over foreign objects.
- Make sure all guard plates and protective shields are in place and intact when using the machine.
- Make sure no clothing, long hair or jewelry can catch in moving machine parts.
- Never use the machine when barefoot. Always wear protective shoes or protective boots with anti-slip and preferably with steel toes.
- Wear approved ear-protection when running the machine. Ask your dealer about approved ear-protection.

SAFETY INSTRUCTIONS

Operating

- Do **not** use the machine on grades of more than 20°. We recommend working across slopes rather than up and down. This will yield a more even result. Do **not** leave the machine standing on a slope unattended.
- Do **not** use the machine if you are tired, if you have consumed alcohol, or if you are taking other drugs or medication that can affect your vision, judgment or co-ordination.
- Never use the machine indoors or in spaces lacking proper ventilation.
- Do not use the machine on any surface other than grass.
- Make sure you have a proper foothold when using the machine, particularly when backing. Walk, don't run. Never work on wet grass. Poor traction may cause you to slip.
- Keep your hands and feet away from moving parts.
- Keep your hands and feet away from the work tools.
- Slow down and be especially careful on slopes. Make sure to run the machine in the recommended direction on slopes. Be careful when working close to sudden changes in level.
- Smoking, open flames or sparks in the vicinity of the machine are **strictly** forbidden. Gasoline is extremely flammable and carelessness in handling can result in personal injury or fire.
- Stop and inspect the equipment if you run over or into anything. If necessary, make repairs before beginning again.
- Whatever happens, you should always park the machine on even ground, disengage the drive, turn off the engine and wait until all moving parts have stopped before leaving the operating position behind the machine.



WARNING!

Engine exhaust, some of its constituents and certain vehicle components contain or emit chemicals considered to cause cancer, birth defects or other reproductive harm. The engine emits carbon monoxide, which is a colorless, poisonous gas. Do not use the machine in enclosed spaces.

Movement/Transport

- To turn and steer the machine, press down on the handle and turn on the back wheels.
- Turn off the engine and allow it to cool at least 2 minutes before transport.
- Collapse the handle if the machine is equipped with a collapsible handle.
- Be careful and use safe lifting and moving techniques when loading/unloading the machine.
- We recommend having two people to lift the machine.
- Fasten the machine properly in place with approved fasteners, such as tension belts, chains or rope. Always check that you are in compliance with applicable traffic regulations before transporting the machine.

Storage

- Allow the engine to cool before storing the machine. Never store the machine near a open flame.
- Store the machine with the fuel valve closed.
- Store the machine and fuel in such a way that there is no risk that leaking fuel or fumes can come in contact with flames or sparks from electrical machines, electric engines, relays, switches, boilers or similar.
- Store the machine in a locked space away from children and adults untrained in use of the machine.

SAFETY INSTRUCTIONS

Children

Serious accidents can occur if you fail to be on guard for children in the vicinity of the machine. Never assume that children will stay put where you last saw them.

- Keep children away from the machine.
- Keep children away from the work area and under close supervision by another adult.
- Keep an eye out and shut off the machine if children enter the work area.
- Never allow children to operate the machine.
- Be particularly careful near corners, bushes, trees or other objects that block your view.

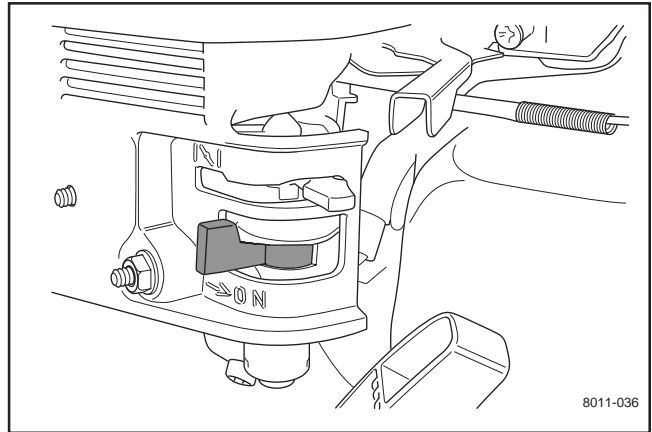
Fuel system



WARNING!

Gasoline and gasoline fumes are poisonous and extremely flammable. Be especially careful when handling gasoline, as carelessness can result in personal injury or fire.

- Only store fuel in containers approved for that purpose.
- Never remove the fuel cap and fill the fuel tank when the engine is running.
- Always stop the engine when refueling.
- Do not smoke when filling the gasoline tank and do not pour gasoline in the vicinity of sparks or open flame.
- Never fill the fuel tank indoors.
- Before starting the machine after refueling, it should be moved at least 10 feet from the location where it was filled.
- Turn off the fuel supply for storage or transport.
- If leaks arise in the fuel system, the engine must not be started until the problem has been resolved.



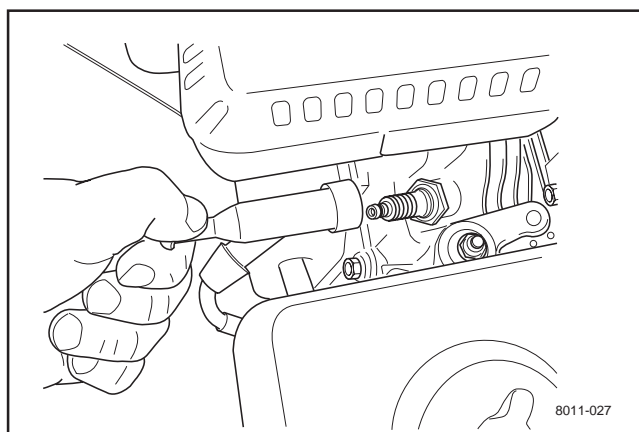
Close the fuel valve.

- Check the fuel level before each use and leave space for the fuel to expand, because the heat from the engine and the sun can otherwise cause the fuel to expand and overflow.
- Avoid overfilling. If you spill gasoline on the machine, wipe up the spill and wait until it has evaporated before starting the engine. If you spill gasoline on your clothing, change your clothing.

SAFETY INSTRUCTIONS

Maintenance

- Never make adjustments with the engine running.
- Disengage the drive units, shut off the engine and wait until all moving parts come to a complete stop before making adjustments, performing maintenance or cleaning the machine.
- Disconnect the spark plug cable before beginning repair work.
- Keep all components in serviceable condition and make sure all nuts, bolts, etc. are tight. Replace worn or damaged decals.
- Be careful when checking work tools. Use gloves when performing maintenance work.
- Never allow persons not trained in the use of the machine to perform service on it.
- Always park the machine on even ground before performing maintenance or making adjustments.
- Do not disassemble the engine. This can invalidate your engine warranty. Contact your dealer if you have any questions regarding service or guarantee matters. Follow all maintenance instructions.
- Do not change the setting of governors and avoid running the engine with overly high RPM. If you run the engine too fast, you risk damaging the machine components.
- Do not modify safety equipment. Check regularly to be sure it works properly. The machine must not be run with defective or disassembled safety equipment.
- The muffler is designed to maintain sound levels at an approved level and keep direct exhaust away from the user. Exhaust gases from the engine are extremely hot and may contain sparks that can cause fires or burn the user.
- Never use a machine with a defective muffler.
- Reduce the risk of fire by removing grass, leaves and other debris that may have caught in the machine.



Disconnect the spark plug cable before repair work.



WARNING!

Wait until all moving parts are completely still before performing maintenance on the machine.

Turn off the engine and remove the spark plug cable.

PRESENTATION

Presentation

Congratulations on your choice of an exceptionally high quality product. This operator's manual describes the Husqvarna dethatcher. The machine is available in 22" width.

The machine is equipped with a 5.5 hp Honda or 5.5 hp Briggs & Stratton, four-cycle engine.



The 22" dethatcher can be equipped with a catcher. It is available as an accessory at your Husqvarna dealer. It can be mounted after purchase.



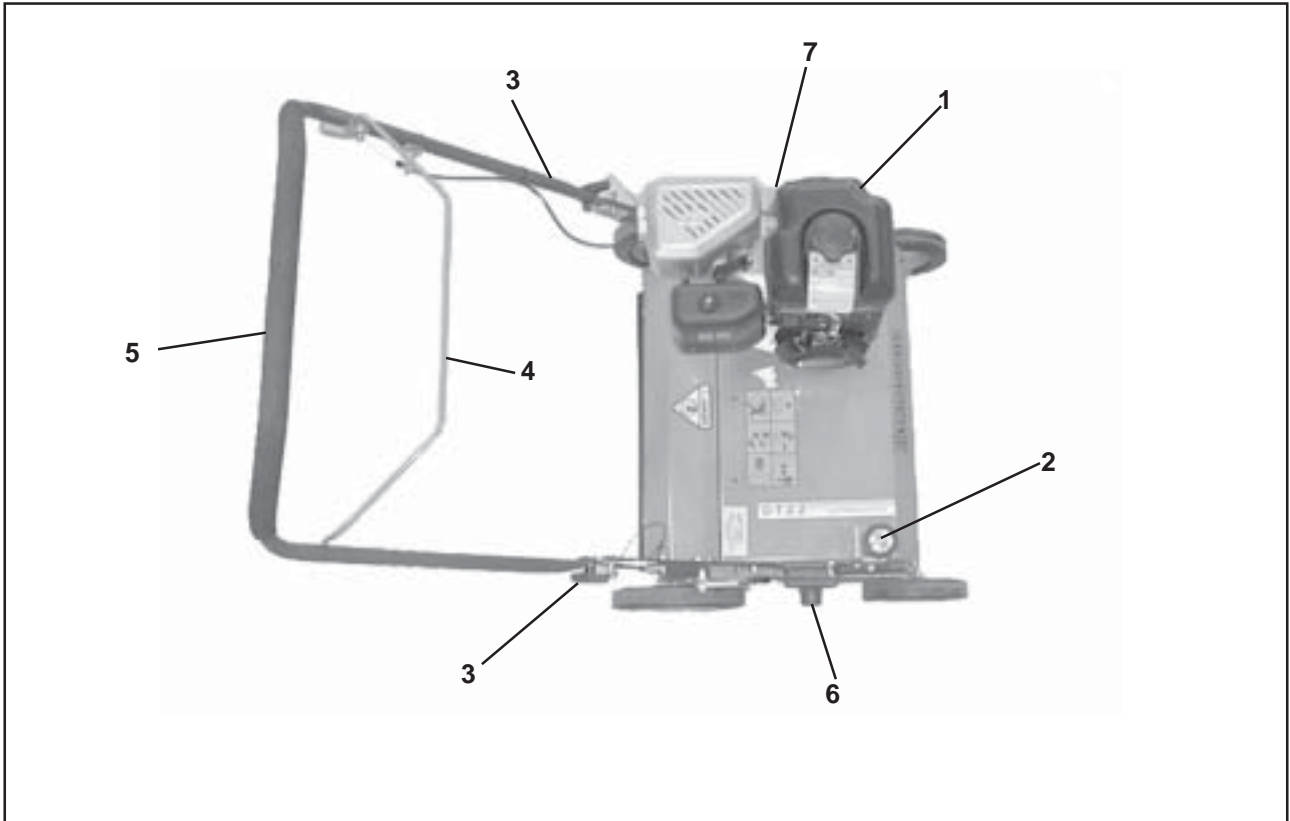
Alternatively, the 22" dethatcher can be equipped with a seeder. It is available as an accessory at your Husqvarna dealer. It can be mounted after purchase.

It is not possible to use a catcher and seeder simultaneously.



CONTROLS

Main components and operating instruments



- | | |
|--------------------------------|----------------|
| 1. Engine | 5. Handle |
| 2. Depth lever | 6. Shaft guard |
| 3. Knob for collapsible handle | 7. Belt shield |
| 4. Clutch bail | |

CONTROLS

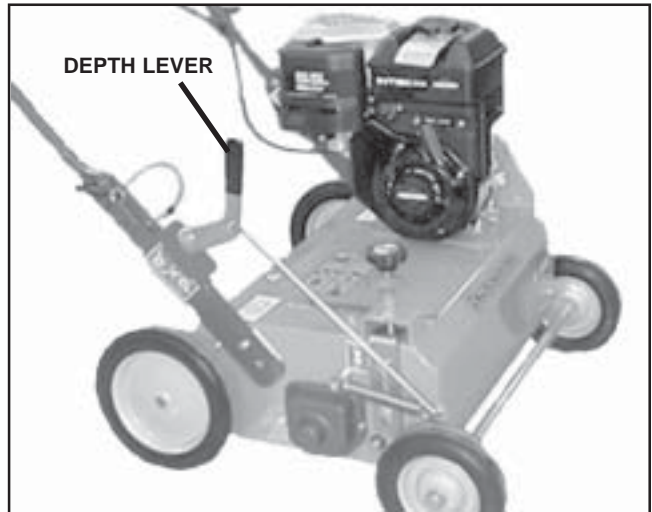
Engine

Refer to your engine manual.

Cutting unit

Depth lever

Use the depth lever to raise and lower the blades between working and transport position. When the lever is up, the blades are in working position. Blades should penetrate the soil to a depth of 1/8" to 1/4" with a maximum penetration of 1/2". Check your seed bag for the manufacturer's recommended depth of application.

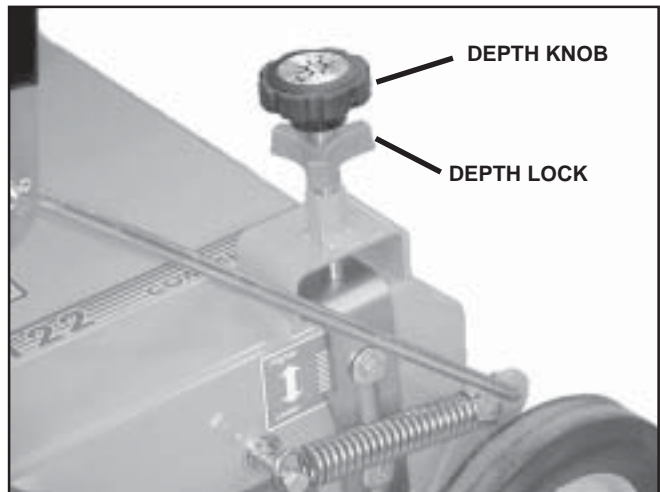


Depth knob

The knob is used to adjust the cutting depth of the blades. Turning the knob counterclockwise increases the working depth. A shim has been added at the factory to keep the blades from penetrating the soil too deeply. As the blades wear, remove the shim and store below the depth lock until new blades are added, then replace the shim in the original position.

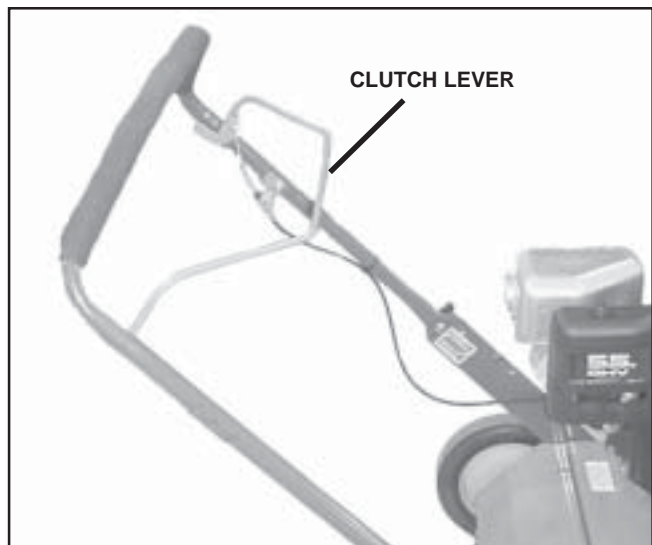
Depth lock

The red knob under the depth knob is used to lock the depth knob to prevent it being changed by machine vibrations. Undo the depth lock by turning it counterclockwise before turning the depth knob. Secure the depth knob with the depth lock after adjusting settings.



Clutch

The clutch tightens the drive belt and engages the drive for the blades. When the clutch lever is pressed against the handle, the blades begin to rotate. Hold the clutch tightly when working so that the belt does not slip.

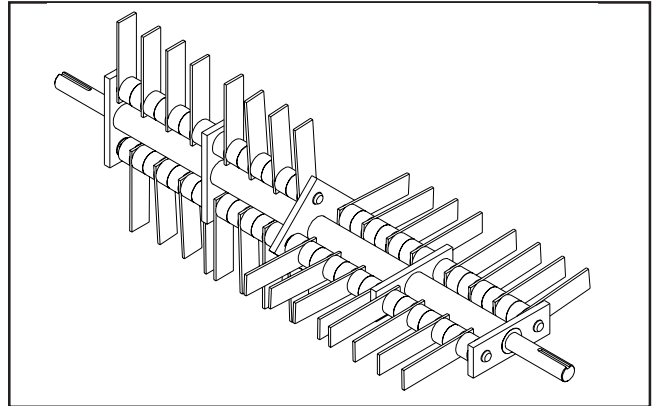


CONTROLS

Blade versatility

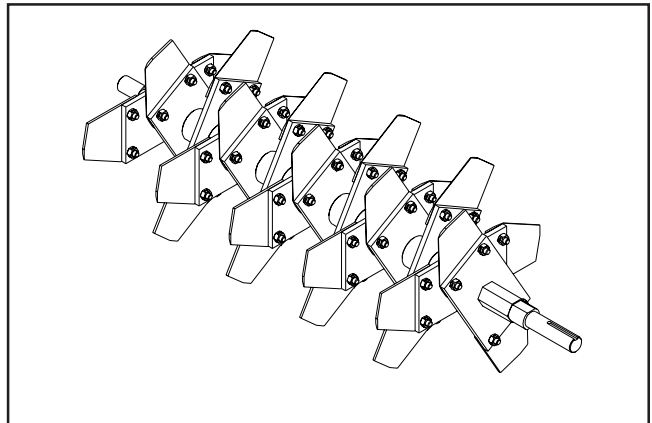
Flail blade

Thatch is the dense layer of clippings, roots and stems that forms between the soil and the base of the grass. As thatch builds up, it prevents water, air and fertilizer from being absorbed into the soil. This causes shallow root development leading to vulnerability to drought and frost. Excessive thatch also creates an ideal environment for insects and lawn diseases. Power-raking with flail blades removes this thatch layer and restores your lawn to good health. Flail blades offer the most aggressive dethatching of all the blades offered.



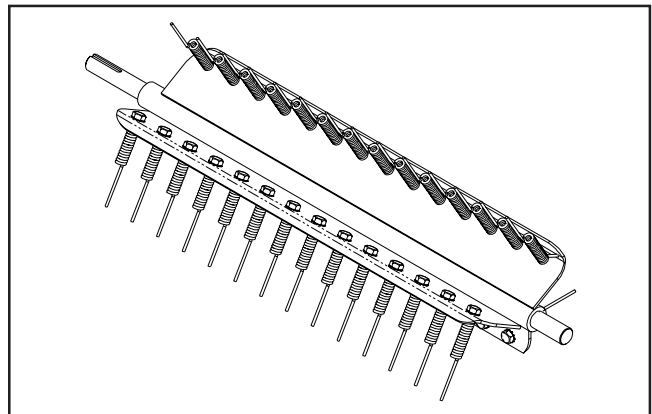
Delta blade

Delta blades were created primarily for overseeding existing lawn. They effectively incorporate grass seed into the soil. This is an easy, reliable method for rejuvenating poor lawns. The delta blade is also useful as a vertical mower for cutting running stem grasses and opening up the soil to oxygen, water, nutrients and other chemicals. Delta blades are also beneficial on slopes, terraces and in high clay content soils where water runoff is a problem. Blades should penetrate the soil to a depth of 1/8" to 1/4" with a maximum penetration of 1/2". Check your seed bag for the manufacture's recommended depth of application.



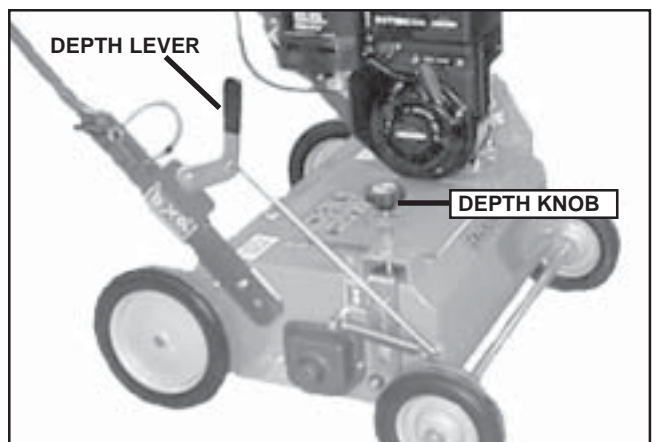
Spring tine

Ideal for the established lawn that is not in need of a complete renovation but requires dethatching (dry-spots, fungus, etc.). Spring tines are designed to pluck dead grass and thatch out of the lawn without tearing or damaging existing root structure. With the flexible tines, the lawn is combed only 3/16" into the soil, so it cannot penetrate the root structure. Spring tines provide less aggressive dethatching than flail blades.



Setting blade height

The blades are raised and lowered using a depth lever on the right side of the machine. The knob in front of the lever controls the depth. Turning the knob counterclockwise increases blade depth.



OPERATION

Before you start

- Mow the lawn 1/2" shorter than normal.
- Allow the lawn to dry. Wet conditions can cause extensive damage to healthy grass.

FLAIL BLADES OR SPRING TINES:

- **Flail Blades or Spring Tines:** Set blade or tine depth so that the blades or tines just touch on a flat surface such as a sidewalk or driveway.
- **Delta Blades:** Set blades to penetrate the soil to a depth of 1/8" to 1/4" with a maximum penetration of 1/2". Check your seed bag for the manufacturer's recommended depth of application
- Set blade depth so that the blades just touch on a flat surface such as a sidewalk or driveway.
- Lawns with deep thatch exceeding 3/4" may be best dethatched in two treatments (spring and fall) to avoid major shock to an older lawn.

Starting

- Set the transport lever in working position.
- To engage the clutch in heavy thatch, bear down on the handle and raise the front wheels slightly. Hold the clutch engaged against the handle and carefully lower the machine into the turf.
- Do a small test area at a slow walking pace.
- If the engine speed drops excessively, the depth setting is too deep.
- If the machine pulls forward and bucks roughly, the depth setting is too deep. Check for stones or fixed objects in the lawn.

Finishing

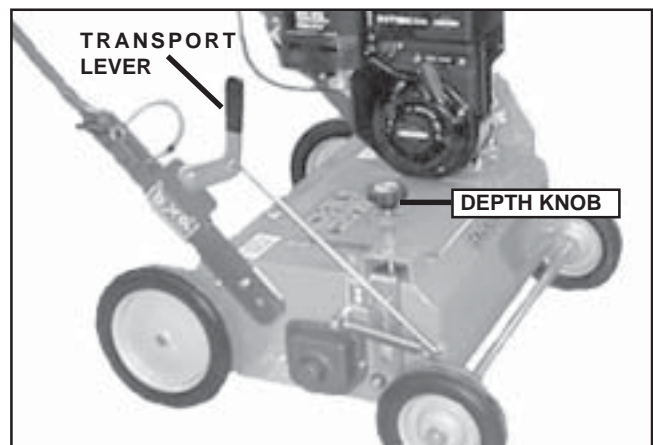
- Remove all extracted thatch from the grass and compost/dispose of properly.
- Other methods for improving your lawn may include aeration and fertilization.

IMPORTANT INFORMATION

Clear the lawn of any debris.

Clearly mark rocks and other fixed objects.

Be especially sure to check for hidden electrical cables or similar in the surface of the lawn.



MAINTENANCE


Maintenance schedule

The following is a list of maintenance procedures that must be performed on the machine. For those points not described in this manual, visit an authorized service workshop.

| Maintenance | Daily maint. before starting | Maintenance interval months/hours | | | |
|---|------------------------------|-----------------------------------|------|-------|--------|
| | | 1/25 | 3/50 | 6/100 | 12/300 |
| Check the engine oil level | ● | | | | |
| Replace engine oil ¹⁾ | | | | ● | |
| Check the air filter | ● | | | | |
| Clean the air filter ²⁾ | | | ● | | |
| Replace air filter cartridge ²⁾ | | | | | ● |
| Clean sludge reservoir for fuel system | | | | ● | |
| Check and clean the spark plug | | | | ● | |
| Replace the spark plug | | | | | ● |
| Check idle speed | | | | | ● |
| Check and adjust play in valves ⁴⁾ | | | | | ○ |
| Clean fuel tank ⁴⁾ | | | | | ○ |
| Check, replace fuel lines as necessary ^{4, 5)} | | | | | ○ |
| Check clutch and clutch cable | ○ | | | | |
| Check flail blade lock washers | ○ | | | | |
| Check decals and warning signs | ○ | | | | |
| Check the seed holes for the seeder | ○ | | | | |
| Check wear and tension on the belts | | ● | | | |
| Check blade wear and condition | | ● | | | |
| Check the chassis, bolts and set screws | | | ○ | | |
| Check the seed control lever for the seeder | | ○ | | | |
| Check the wire mountings on the seeder | | ○ | | | |
| Lubrication; see the Lubrication schedule | | | | | |

¹⁾ First change after 20 hours. ²⁾ In dusty conditions maintenance is required at shorter intervals. ³⁾ With daily use, the machine shall be lubricated twice weekly. ⁴⁾ Performed by authorized service workshop. ⁵⁾ Performed every second year.

- = Described in this manual.
- = Not described in this manual.



WARNING!

No service operations may be performed on the engine or unit unless:

- The engine is stopped.
- The ignition cable has been removed from the spark plug.
- The machine is securely parked where it will not tip or begin rolling.

MAINTENANCE

Cutting unit

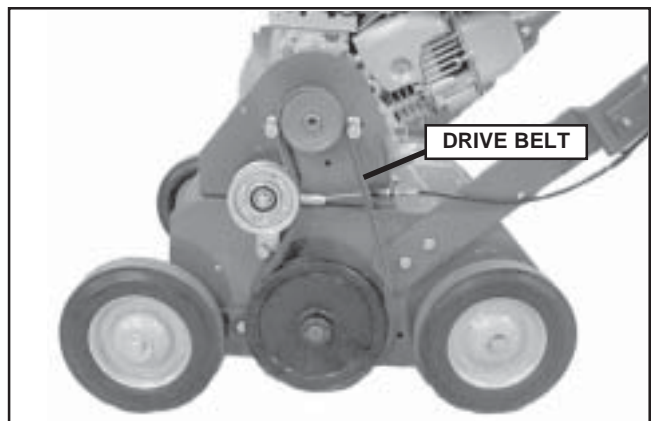
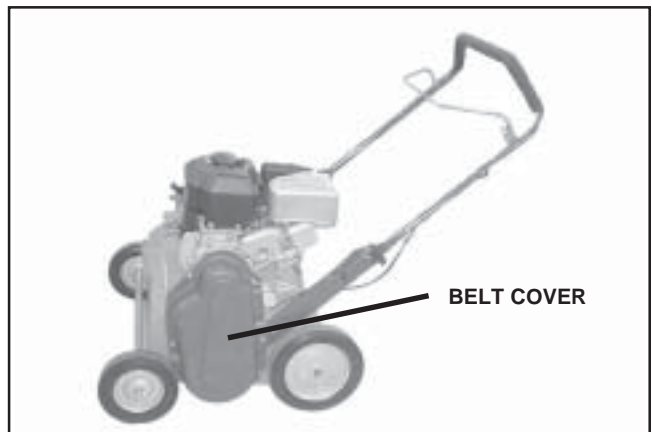
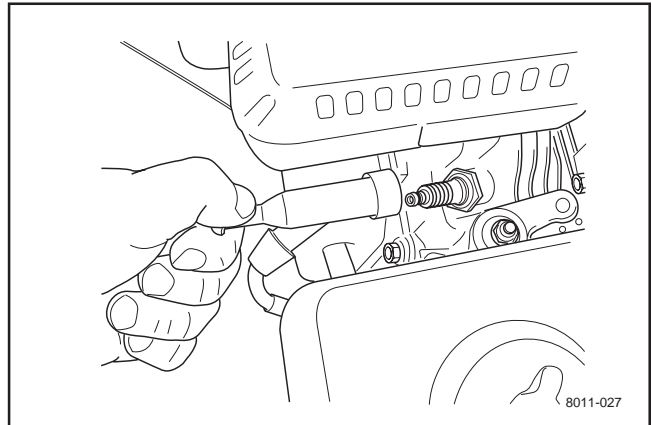
Checking the drive belt

1. Allow the engine to cool.
2. Remove the spark plug cable.
3. Remove the belt guard (see illustration) on the left side of the machine.
4. Check that the belt is running in the proper track; the pulleys should guide the belt in a straight line.
5. Check that the belt and pulleys are not oily. If they are, first try to clean them with spirits. If they are heavily coated, take the machine to an authorized service workshop to fix the oil leakage and replace the belt.
6. Check the belt for cracks, heat damage or worn edges. If these symptoms appear, replace the drive belt; see "Replacing the drive belt".
7. Check that guide and tensioning equipment for the belt is not loose and is properly set; see "Replacing the drive belt".
8. Refit the belt guard.

Replacing the drive belt

Replace the drive belt as follows:

1. Allow the engine to cool.
2. Remove the spark plug cable.
3. Remove the belt guard.
4. Remove the old belt.
5. Check for wear on the pulleys and replace as necessary.
6. Check the pulley setting against the rotor pulley and adjust as necessary. The belt should run in the track.
7. Fit a new belt by first pulling it over the lower pulley and then the engine pulley. Check that the tensioning pulley and belt guides end up outside the belt loop.
8. Adjust the belt guides as necessary and refit the belt guard.

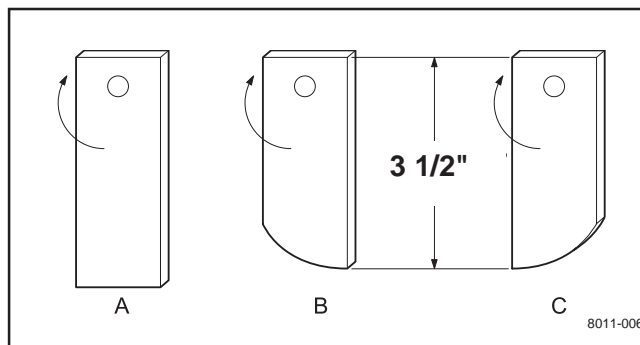


MAINTENANCE

Wear/Rotation/Replacing flail blades

After you have used your dethatcher for some time, the blades will begin to wear on the striking edge. When this happens, their dethatching performance will diminish. A new combing edge may be obtained by rotating the entire rotor shaft assembly laterally (end to end). This procedure can be repeated until the blades reach their wear limit; see illustration.

Rotate the rotor shaft as follows:



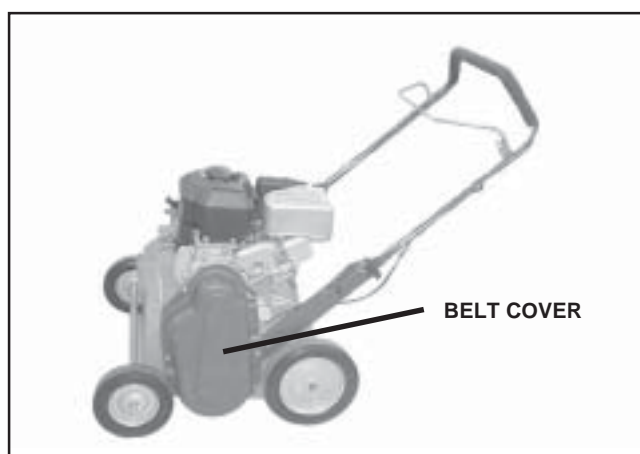
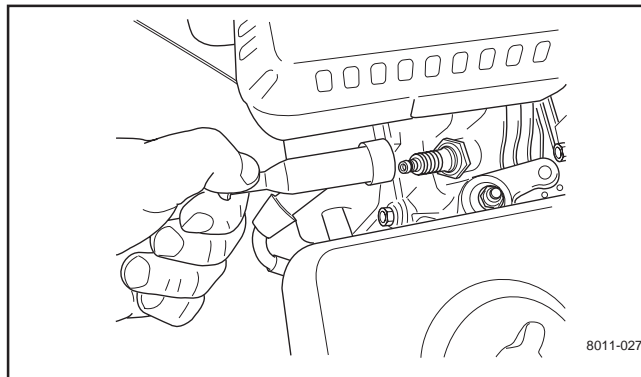
- A. New blade
- B. Worn blade
- C. After rotation

IMPORTANT INFORMATION

Only the flail blade rotor shaft can be rotated to achieve even wear.

Rotating the rotor shaft

1. Allow the engine to cool.
2. Disconnect the spark plug.
3. Remove the belt guard (see illustration).
4. Remove the belt and pulley from the rotor shaft.
5. Remove the 6 bearing bolts and allow the rotor shaft to slide out.
6. Check the shaft, bearing, blade length, blade e-rings and spacers.
7. Rotate the shaft end for end.
8. Refit the bearing bolts.
9. Refit the pulley and check that it is aligned with top pulley.
10. Refit the drive belt.
11. Check the pulley alignment to the engine shaft pulley. The drive belt should run smoothly in its track. Adjust as necessary. Tighten the pulleys.
12. Refit the belt guard.
13. Reattach the spark plug cable.



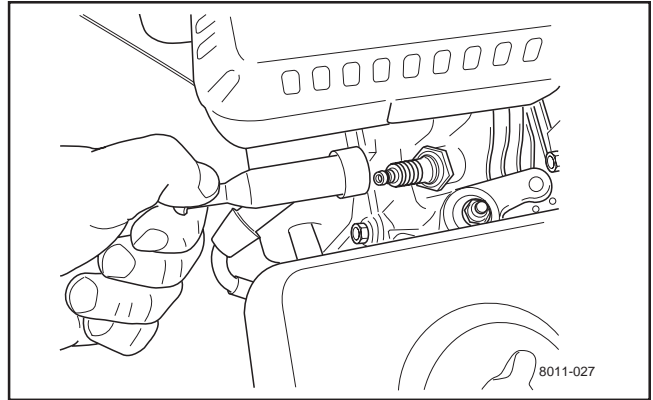
MAINTENANCE

Replacing worn flail blades

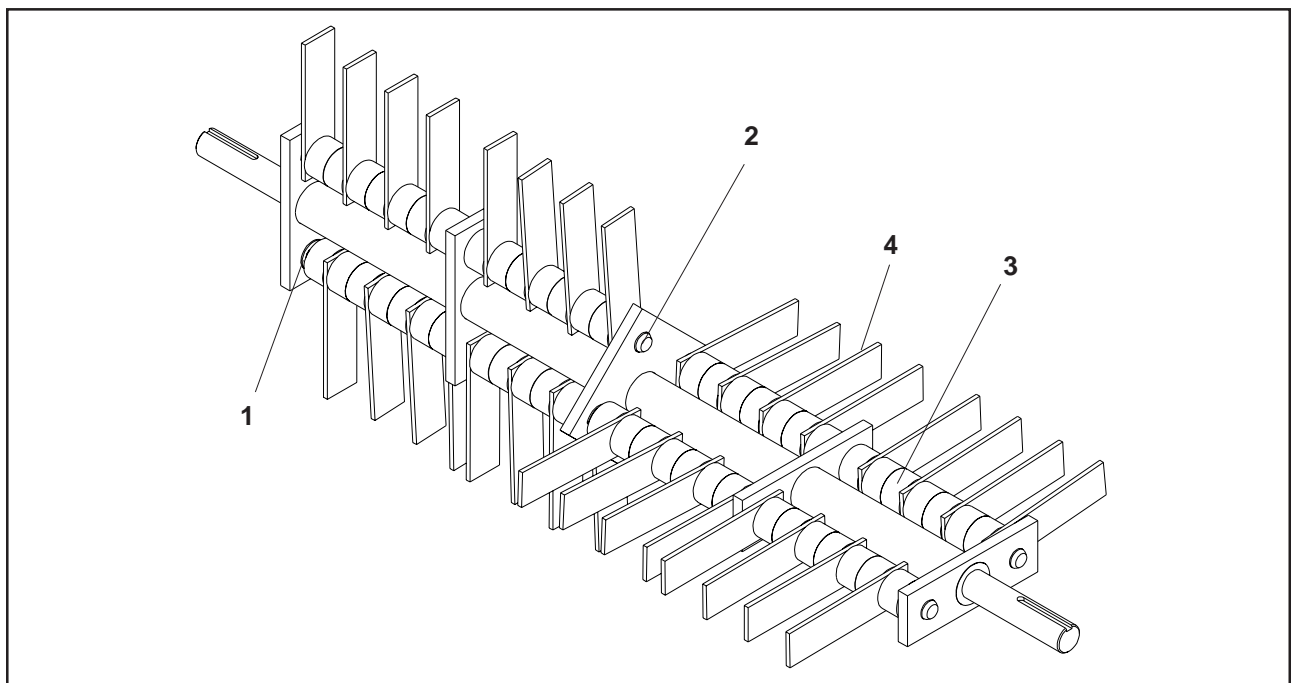
1. Allow the engine to cool.
2. Disconnect the spark plug.
3. Tip the machine forward; see the section "Two minute rule".

IMPORTANT INFORMATION

When tipping the machine forward observe the "Two minute rule".



4. Remove e-rings (1) (locking washer type) that hold the blade shaft (2) in place (see the illustration).
5. Inspect the blade shafts and replace if bent or worn.
6. Drive the blade shafts out towards the center. The blades (4) and the plastic spacers (3) will fall off.
7. Fit the new blades and replace the plastic spacers as necessary. Refer to the illustration of the components for blade/spacer placement.
8. Install e-rings.
9. Repeat this procedure for the remaining three shafts.
10. Reattach the spark plug cable.



MAINTENANCE

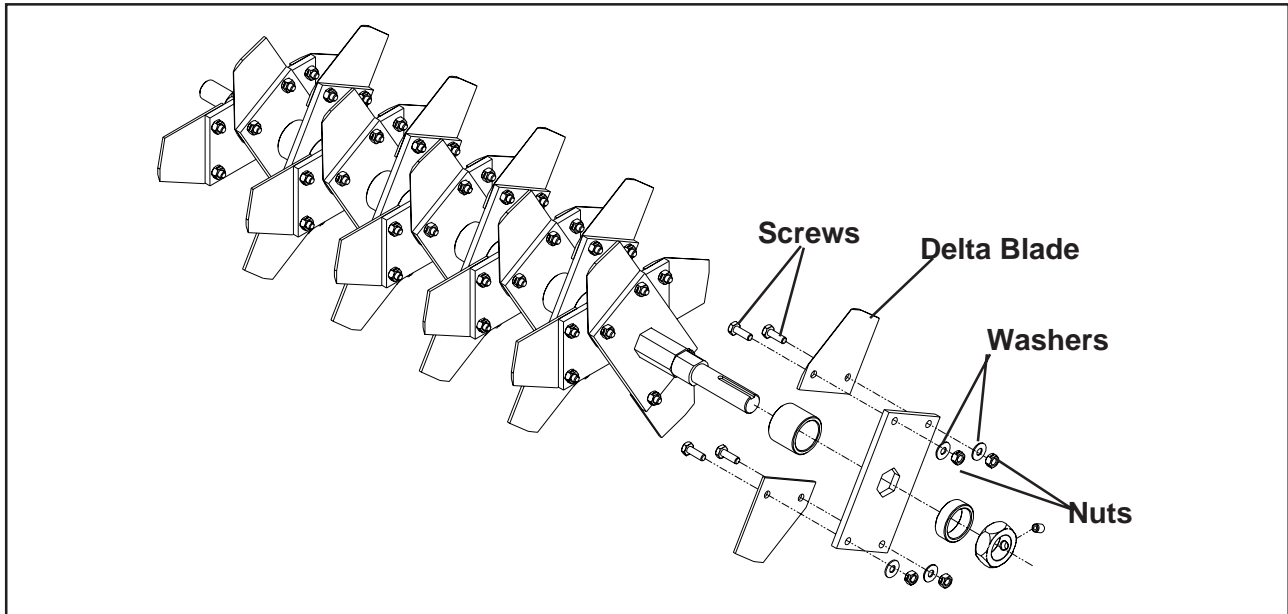
Wear/Replacing delta blades

Over time and due to wear, the blades will diminish in length. Once the blades have worn down by about 3/4", the overall length of the blade at the longest point of the blade will be about 2 1/2", and it will be necessary to replace the blades.

It is possible to replace delta blades without

removing the rotor shaft. Remove the delta blade by removing the two screws with nuts holding the blade in place.

Turn the new blade until it is properly aligned; see illustration.

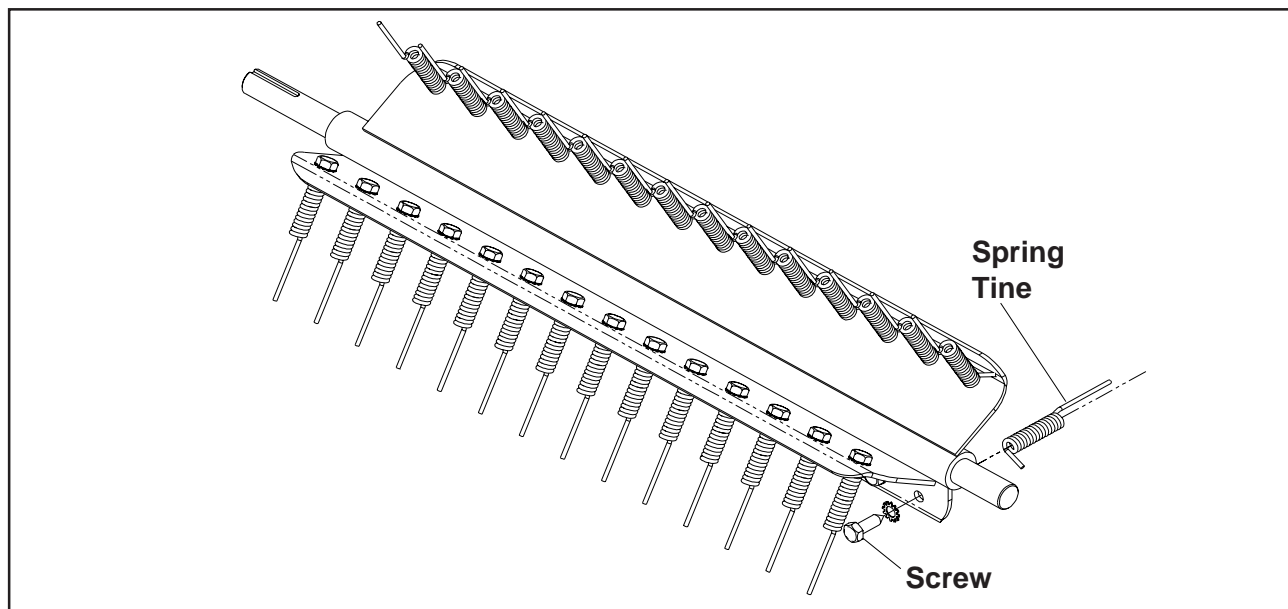


Wear/Replacing spring tines

Over time and due to wear, the tines will diminish in length. When the tines can no longer be adjusted to comb 1/4" into the soil, the tines must be replaced.

Spring tines can be replaced without removing the

rotor shaft by using a 1/2" socket wrench. Remove the screw and replace the spring tine using the wrench. Fit the new spring tine before removing the tine on the opposite side.



MAINTENANCE

Two minute rule

The machine may be tipped forward to facilitate access for cleaning or service, but **no longer than 2 minutes**.

If the machine is held in this position for too long, the engine can be damaged by gasoline draining into the crankcase. Should this happen, perform an extra oil change on the engine. Remove the spark plug and turn the engine over a few revolutions with the starter handle before starting the engine again.

Cleaning and washing

Regular cleaning and washing will increase the machine's lifespan. Make it a habit to clean the machine directly after use, before the dirt sticks.

Check before rinsing that the fuel tank lid is properly in place to avoid getting water in the tank.

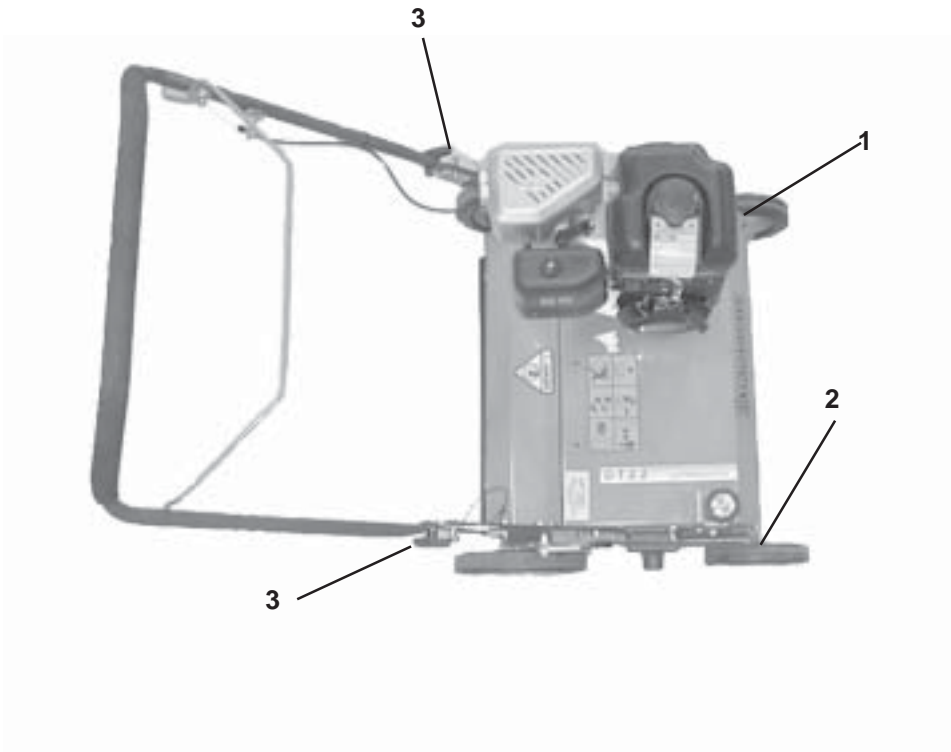
Use caution when using high-pressure spray because warning decals, instruction signs and the engine can be damaged. **Do not exceed 1000 PSI water pressure when cleaning.**

Lubricate the machine after cleaning. This is particularly important if the machine is to be stored.

LUBRICATION

Lubrication schedule

1. Check engine oil daily, change every six months or 100 hours.
2. Check and lubricate wheel bearings once a month.
3. Lubricate folding handle points once a week.



General

Stop the engine and remove the ignition cable before attempting to lubricate the machine.

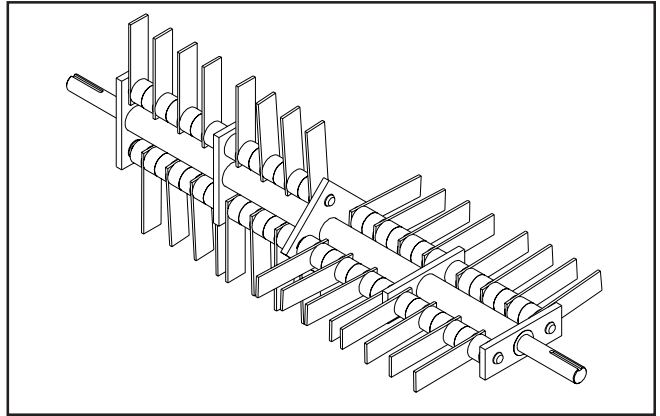
Wipe away excessive grease after lubrication.

It is important to avoid getting lubricant on the belt or the drive surfaces on the belt pulleys. Should this happen, attempt to clean them with spirits. If the belt continues to slip after cleaning, it must be replaced.

LUBRICATION

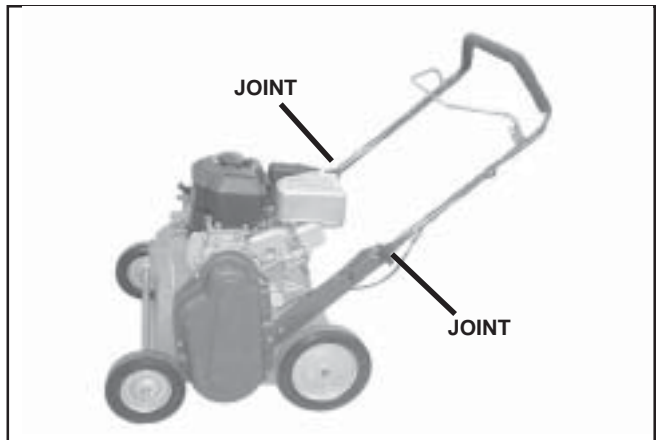
1. Blades

Cover the blades with a thin coat of oil to avoid rust. This is particularly important prior to winter storage or if the machine will not be used for a period of longer than 30 days.



2. Handle

Lubricate the joints at both sides of the handle with an oil can.



TROUBLESHOOTING

| Symptom | Cause | Action |
|--|---|---|
| <u>The engine will not start</u> | | |
| • User error | Fuel valve closed. | Open the fuel valve. |
| | Choke valve open. | Close the choke with cold engine. |
| • Fuel system | Engine switch in OFF position. | Turn the engine switch to ON. |
| | Fuel tank empty. | Fill with fuel. |
| | Machine stored without observing proper procedure from chapter "Storage/Winter storage" | Clean tank, sludge reservoir and empty carburetor. Fill the tank with fresh fuel. |
| | Contamination, water or ice in fuel system. | Clean tank, sludge reservoir, fuel lines and carburetor. Fill the tank with fresh fuel. |
| • Spark plug | Carburetor problems. | Contact an authorized service workshop. |
| | Wrong spark plug type. | Replace the spark plug. |
| Short circuit. | Build-up on electrodes. replace spark plug. | Check electrode gap and clean or |
| | Gasoline or oil on the spark plug. | Clean the spark plug. Air the engine out. Start with full throttle. |
| • No spark after checking spark plug | Faulty engine switch, cable or ignition. | Contact an authorized service workshop. |
| • Low compression | Serious interior engine damage or faulty valves. | Contact an authorized service workshop. |
| <u>Engine is under powered or runs unevenly</u> | | |
| • Air filter | Clogged air filter. | Clean or replace the air filter. |
| • Fuel system | Machine stored without observing proper procedure from chapter "Storage/Winter storage" | Clean tank, sludge reservoir and empty carburetor. Fill the tank with fresh fuel. |
| | (Blue exhaust) | Tank filled with 2-cycle mixed oil. |
| (Voluminous blue-white exhaust) | Tank filled with diesel. | Clean tank, sludge reservoir and empty carburetor. Fill the tank with proper fuel. |
| (Black exhaust) | Choke left on. | Open choke valve. |
| | Clogged air filter. | Clean or replace the air filter. |
| | Carburetor problems. | Contact an authorized service workshop. |
| • Ignition system | Wrong spark plug type. | Replace the spark plug. |
| | Build-up on electrodes. replace spark plug. | Check electrode gap and clean or |
| Short circuit. | Faulty ignition unit. | Contact an authorized service workshop. |
| • Low compression (possible blue exhaust) | Serious interior engine damage or faulty valve. | Contact an authorized service workshop. |

STORAGE

Winter storage

At the end of the season, the machine should be readied for storage (or if it will not be in use for longer than 30 days). Fuel allowed to stand for long periods of time (30 days or more) can leave sticky residues that can plug the carburetor and disrupt engine function.

Fuel stabilizers are an acceptable option to reducing sticky residues during storage. If alkylate gasoline (Aspen) is used, stabilizers are unnecessary because this fuel is stable. However, you should avoid switching between regular and alkylate gasoline as sensitive rubber components can harden. Add stabilizer to the fuel in the tank or in the storage container. Always use the mixing ratios specified by the manufacturer of the stabilizer. Run the engine for at least 10 minutes after adding the stabilizer so that it reaches the carburetor. Do not empty the fuel tank and the carburetor if you have added stabilizer.



WARNING!

Never store an engine with fuel in the tank indoors or in poorly ventilated spaces where fuel vapor can come in contact with open flame, sparks or a pilot light such as in a boiler, hot water tank, clothing drier, etc.

Handle the fuel with caution. It is very flammable and careless use can cause serious damage to person and property. Drain the fuel into an approved container outdoors and far away from open flame. Never use gasoline for cleaning. Use a degreaser and warm water instead.

Service

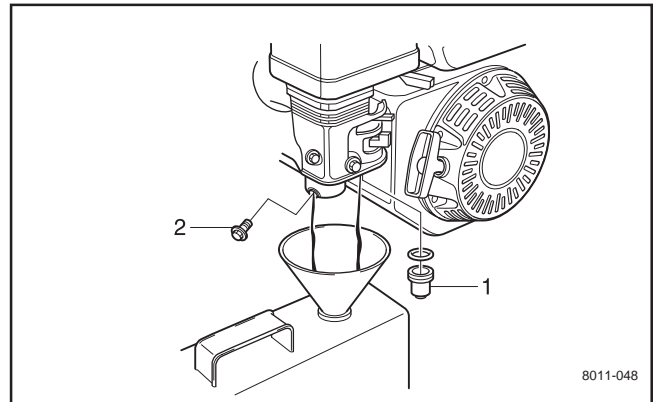
When ordering spare parts, please specify the purchase year, model, type, and serial number.

Always use genuine Husqvarna spare parts.

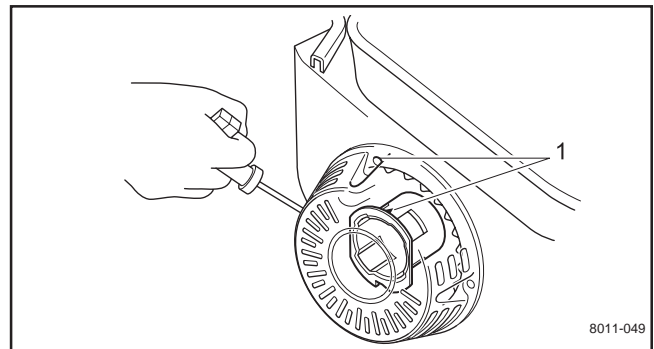
An annual check-up at an authorized service workshop is a good way to ensure that your machine performs its best the following season.

To ready the machine for storage, follow these steps:

1. Clean the machine carefully, particularly the chassis and working equipment. Mend damage to the paint to prevent rust.
2. Inspect the machine for worn or damaged parts and tighten any nuts or bolts that may have become loose.
3. Change the engine oil; dispose of properly.
4. Open the fuel valve. Empty the fuel tank (1) and the carburetor (2).



5. Close the fuel valve.
6. Remove the spark plug and pour about a tablespoon of engine oil in the cylinder. Turn over the engine so that the oil is evenly distributed and then refit the spark plug. Put the engine in the compression phase where the triangle mark on the sleeve of the starter is aligned with the upper hole in the starter. Note: Compression phase occurs every second revolution.



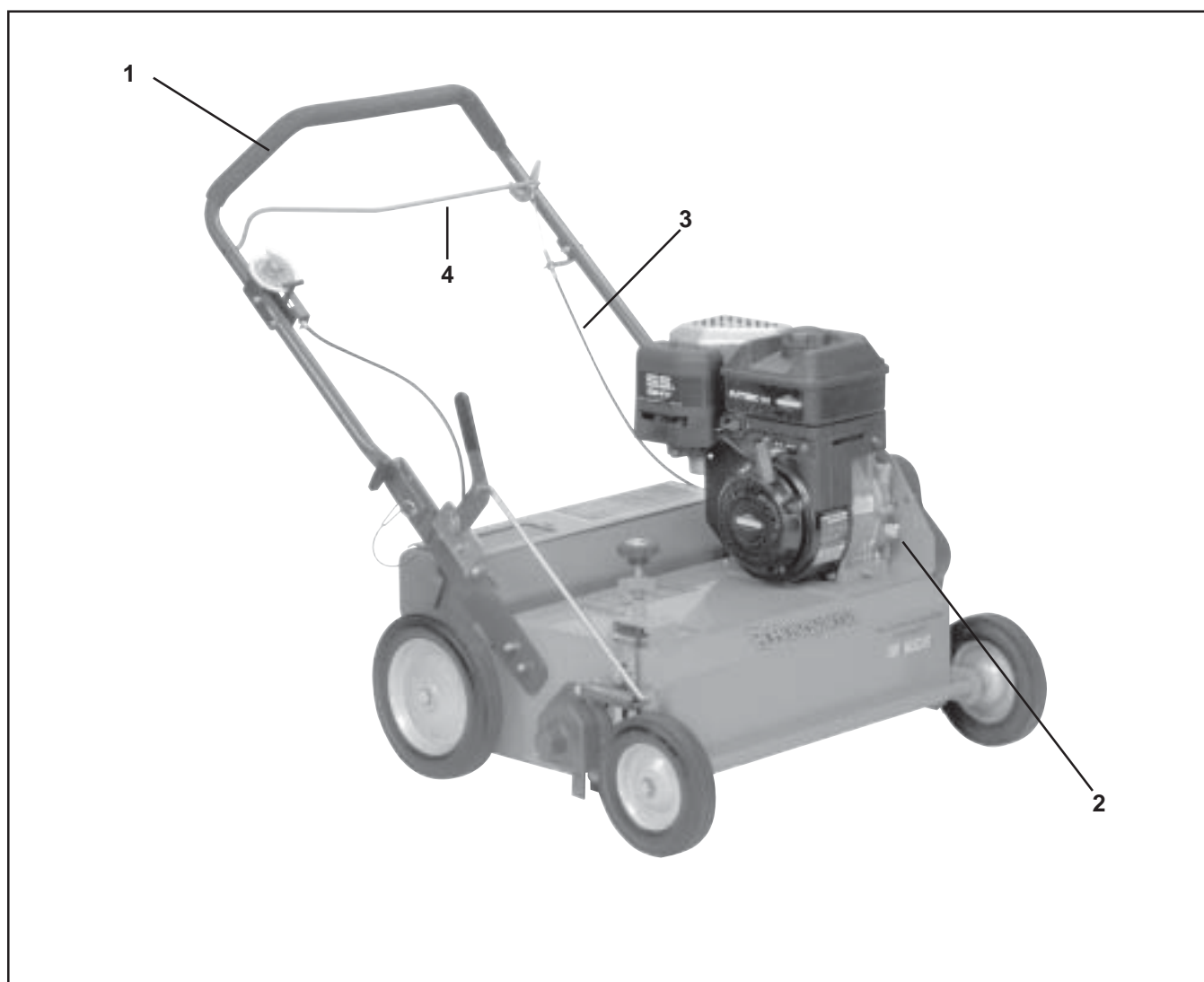
7. Lubricate all grease nipples, joints and shafts as described in the chapter "Lubrication/Lubrication schedule".
8. Store the machine in a clean, dry place and cover it for extra protection.

ASSEMBLY INSTRUCTIONS

Assembly – delivery service

1. Rotate the handle and tighten it in place.
2. Fill the engine with the manufacturer-recommended oil. See section "Lubrication/Engine oil".
3. Test the clutch. Make sure that the clutch expansion spring disengages easily.
4. The engine RPM is preset by the manufacturer. Idle speed is 1250–1400 RPM. Maximum engine speed is 3600 RPM.

See the engine manual for instructions on adjusting the regulator and carburetor if the engine speed is not within these limits.



1. Handle
2. Oil refill engine
3. Clutch cable
4. Clutch bail

SERVICE JOURNAL

| Action | Date, stamp, signature |
|---|--|
| <p>Delivery service</p> <ol style="list-style-type: none"> 1. Break the packaging and make sure the machine has not been damaged in transport. <input style="float: right;" type="checkbox"/> 2. Where applicable, assembly accompanying components. <input style="float: right;" type="checkbox"/> 3. Check that the machine design corresponds to the customer order. <input style="float: right;" type="checkbox"/> 4. Check that the right amount of oil is in the engine and transmission. <input style="float: right;" type="checkbox"/> 5. Check that the working equipment is properly set. <input style="float: right;" type="checkbox"/> 6. Check that the drive pulleys are aligned. <input style="float: right;" type="checkbox"/> 7. Check that belts are properly adjusted. <input style="float: right;" type="checkbox"/> 8. Lubricate the machine as described in the lubrication schedule. <input style="float: right;" type="checkbox"/> 9. Fill the fuel tank and start the engine. <input style="float: right;" type="checkbox"/> 10. Check all operating instruments. <input style="float: right;" type="checkbox"/> 11. Check decals and information attached to the unit. <input style="float: right;" type="checkbox"/> 12. Check the engine speed (RPM), see Technical Data. <input style="float: right;" type="checkbox"/> 13. Check for leakage. <input style="float: right;" type="checkbox"/> 14. Inform the customer about: <ul style="list-style-type: none"> The need and advantages of following the service schedule. <input style="float: right;" type="checkbox"/> The need and advantages of leaving the machine for service every 300 hours. <input style="float: right;" type="checkbox"/> The effects of service and maintaining a service journal on the machine's resale value. <input style="float: right;" type="checkbox"/> 15. Fill in the sales papers, etc. | <p style="text-align: center;">Delivery service has been carried out.</p> <p style="text-align: center;">No remaining notes.</p> <p style="text-align: center;">Certified:</p> |
| <p>After the first 20 hours</p> <ol style="list-style-type: none"> 1. Change engine oil. <input style="float: right;" type="checkbox"/> 2. Check that belts are properly adjusted. <input style="float: right;" type="checkbox"/> 3. Tighten screws and nuts. <input style="float: right;" type="checkbox"/> | |

SERVICE JOURNAL

| Action | Date, stamp, signature |
|--------|------------------------|
| | |
| | |
| | |
| | |
| | |
| | |
| | |
| | |
| | |
| | |
| | |
| | |
| | |
| | |
| | |
| | |
| | |
| | |
| | |
| | |
| | |
| | |
| | |
| | |
| | |

 **Husqvarna**