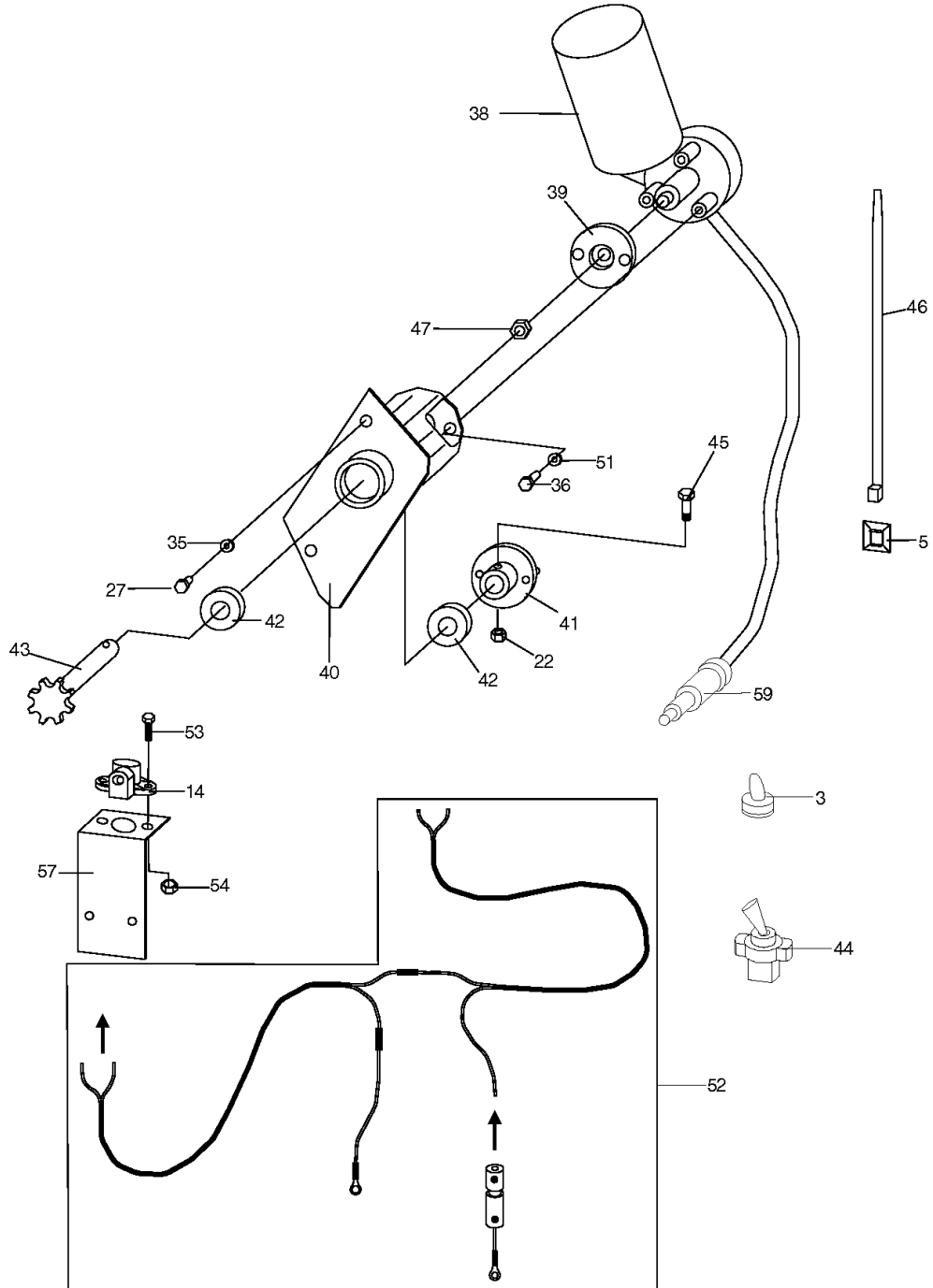




# SPARE PARTS LIST

ACCESSORIES AND TOOLS

T-80563, 953524901, 2003-01

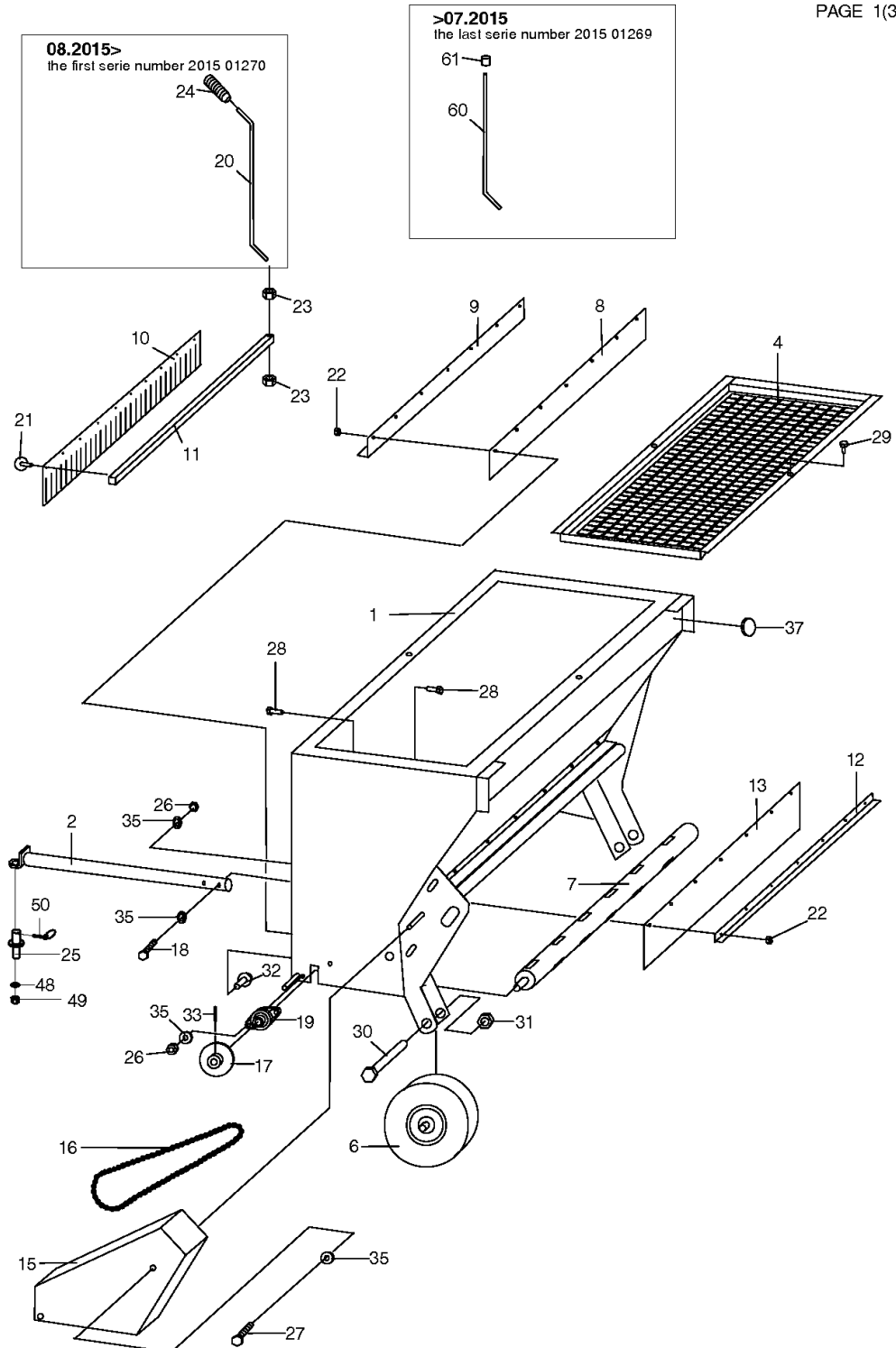


**953 52 49-01**  
T-80563

## ELECTRICAL

T-80563, 953524901, 2003-01

Ref	Part No	Description	Remark	QTY KIT
3	531 02 12-83	GRIP		1
5	531 02 12-85	SELF-FASTENING		4
14	531 02 12-93	SOCKET		1
22	531 02 11-98	NUT		17
27	531 02 11-46	SCREW		4
35	531 02 11-84	WASHER		12
36	531 02 11-96	SCREW		3
38	531 02 12-79	MOTOR		1
39	535 41 50-05	CLUTCH		1
40	531 02 12-80	HOUSING		1
41	535 41 50-06	CLUTCH		1
42	531 02 11-88	BEARING		2
43	535 41 50-07	SHAFT		1
44	535 41 50-08	BRAKER		1
45	501 56 09-01	SCREW		1
46	535 41 50-10	BAND		15
47	531 02 11-32	NUT		1
52	531 02 12-81	CABLE ASSY		1
51	535 41 50-11	WASHER		2
53	531 02 12-82	SCREW		2
54	535 41 50-12	NUT		2
57	535 41 50-15	PLATE		1
59	525 73 12-01	CONNECTION		1



**953 52 49-01**  
T-80563

## STEERING

T-80563, 953524901, 2003-01

Ref	Part No	Description	Remark	QTY KIT
1	531 02 12-74	FRAME		1
2	531 02 12-75	PIPE		1
4	531 02 12-84	PROTECTOR		1
6	531 02 12-86	SUPPORT WHEEL		2
7	531 02 12-87	SHAFT		1
8	531 02 12-88	LIST, RUBBER		1
9	531 02 12-76	PLATE		1
10	531 02 12-89	SPRING BLADE		1
11	531 02 12-90	TUBE		1
12	531 02 12-91	PLATE		1
13	531 02 12-92	LIST, RUBBER-		1
15	531 02 12-77	CHAIN GUARD		1
16	531 02 12-78	CHAIN		1
17	531 02 12-94	CHAIN WHEEL		1
18	531 02 12-95	SCREW		2
19	531 00 51-08	BEARING		2
20	501 48 72-01	ROD		1
21	531 02 12-97	RIVET		10
22	531 02 11-98	NUT		17
23	531 02 11-29	NUT		2
24	506 54 20-01	HANDLE		1
25	531 00 53-13	PIN RETAINING SCREW		1
26	531 02 12-19	NUT		6
27	531 02 11-46	SCREW		4
28	531 02 12-99	SCREW		14
29	531 00 52-28	SCREW		2
30	535 41 50-01	SCREW		2
31	531 02 11-42	NUT		2
32	535 41 50-02	SCREW		4
33	535 41 50-03	PIN RETAINING SCREW		1
35	531 02 11-84	WASHER		12
37	535 41 50-04	REFLECTOR		2
48	531 02 12-24	WASHER		1
49	531 00 53-16	NUT		1
50	531 00 52-17	PIN RETAINING SCREW		1
60	531 02 12-96	PIPE		1
61	531 02 12-98	PLUG		1