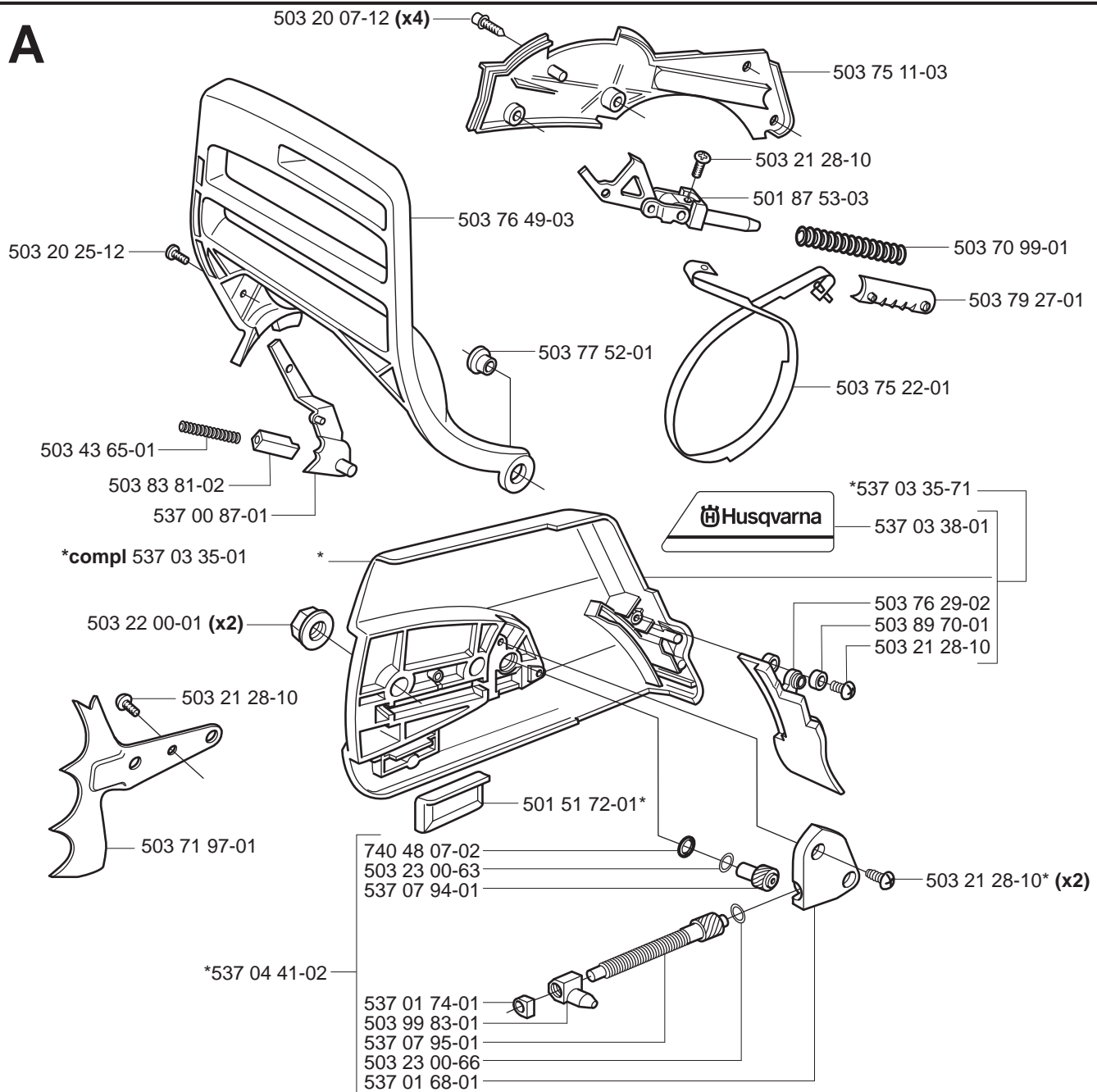


365 Special, 365 Special EPA

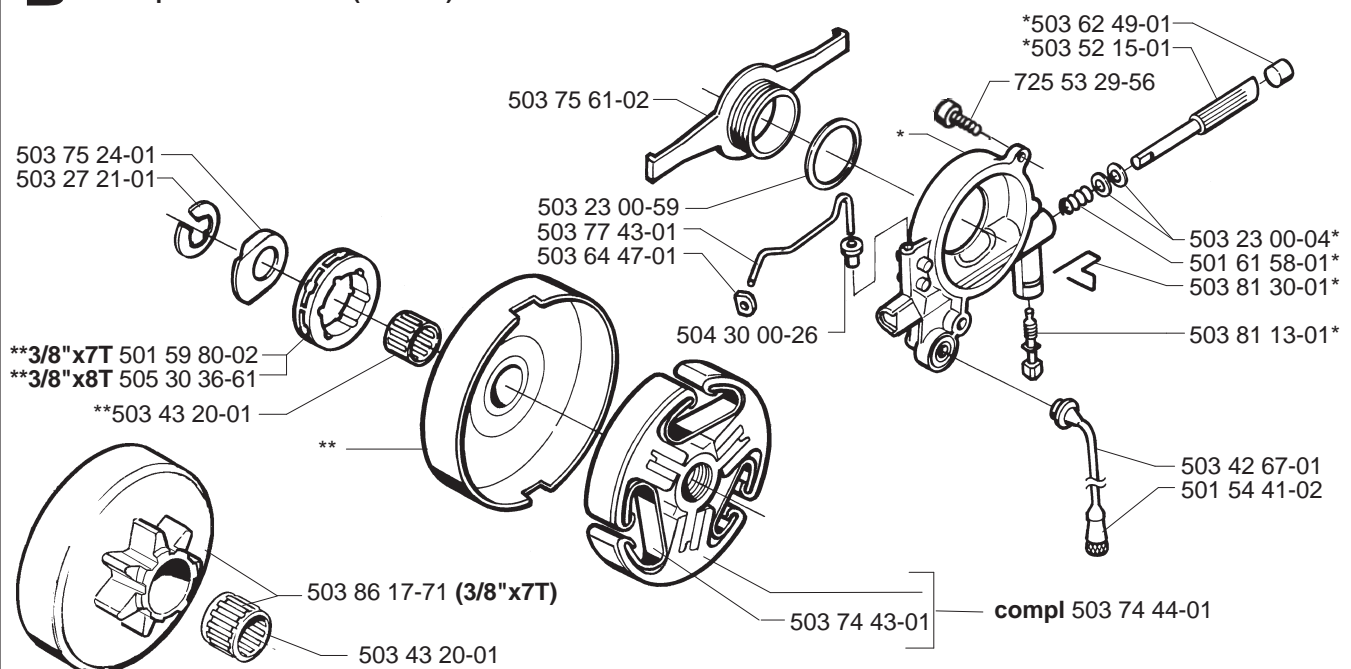
Spare parts	Replaces	
Ersatzteile	Ersetzt	
Pièces détachées	Remplace	
Reserve onderdelen	Vervangt	
Repuestos	Reemplaza	
Reservdelar	Ersätter	106 26 03-62

A**B**

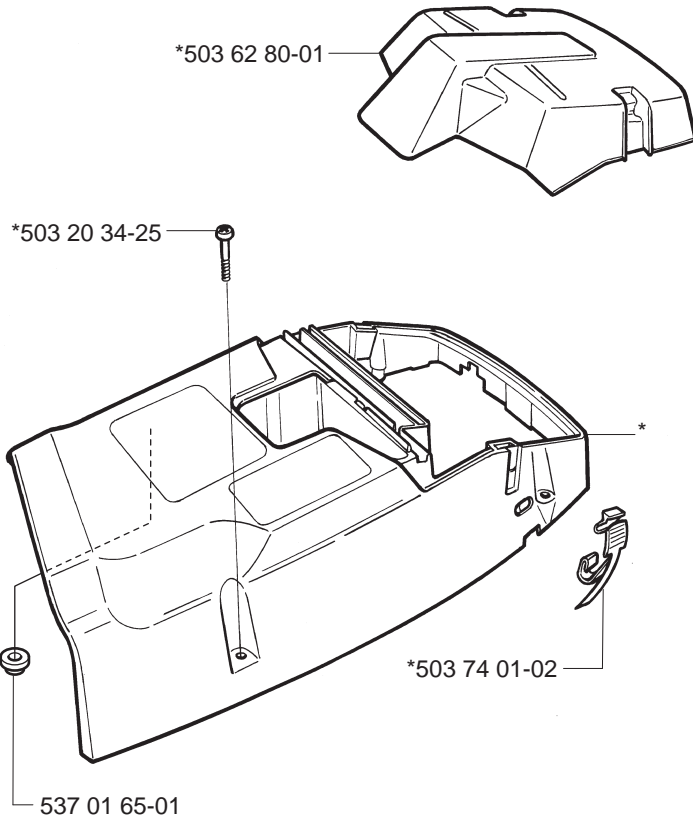
**compl 537 03 62-02 (3/8"x7T)

**compl 537 03 62-03 (3/8"x8T)

*compl 503 52 13-01

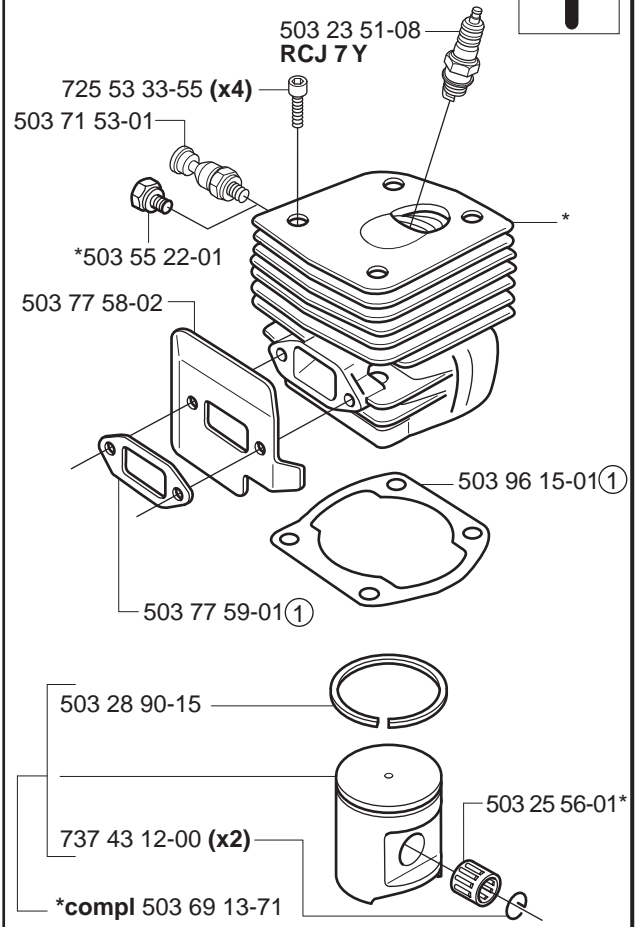


C *compl 503 62 78-07

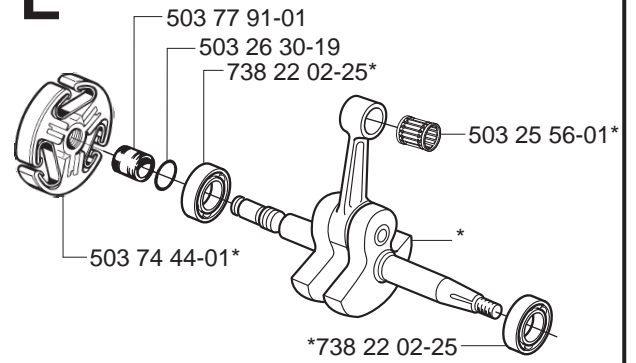


503 98 74-01*

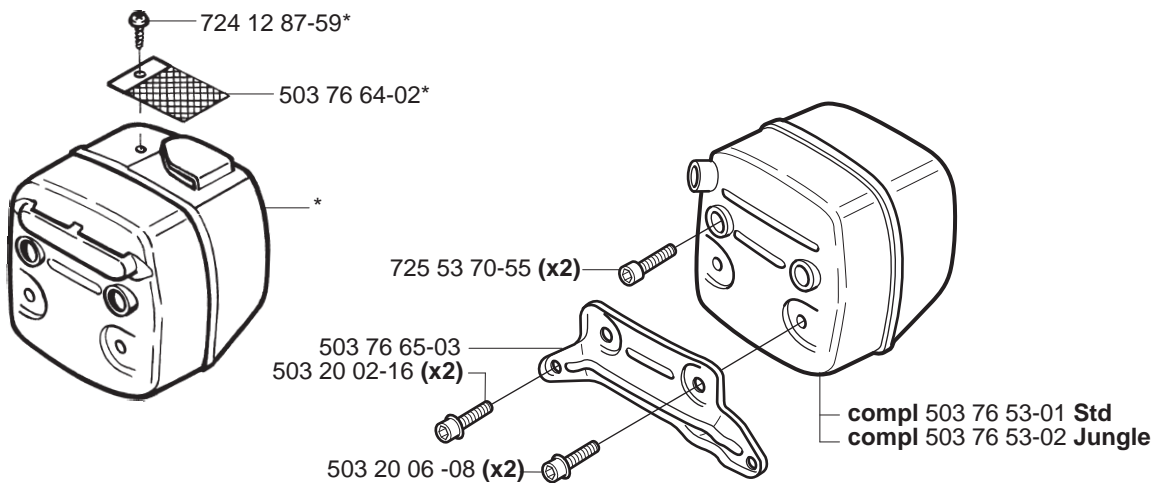
D *compl 503 69 10-73
*compl 503 93 90-05 EPA

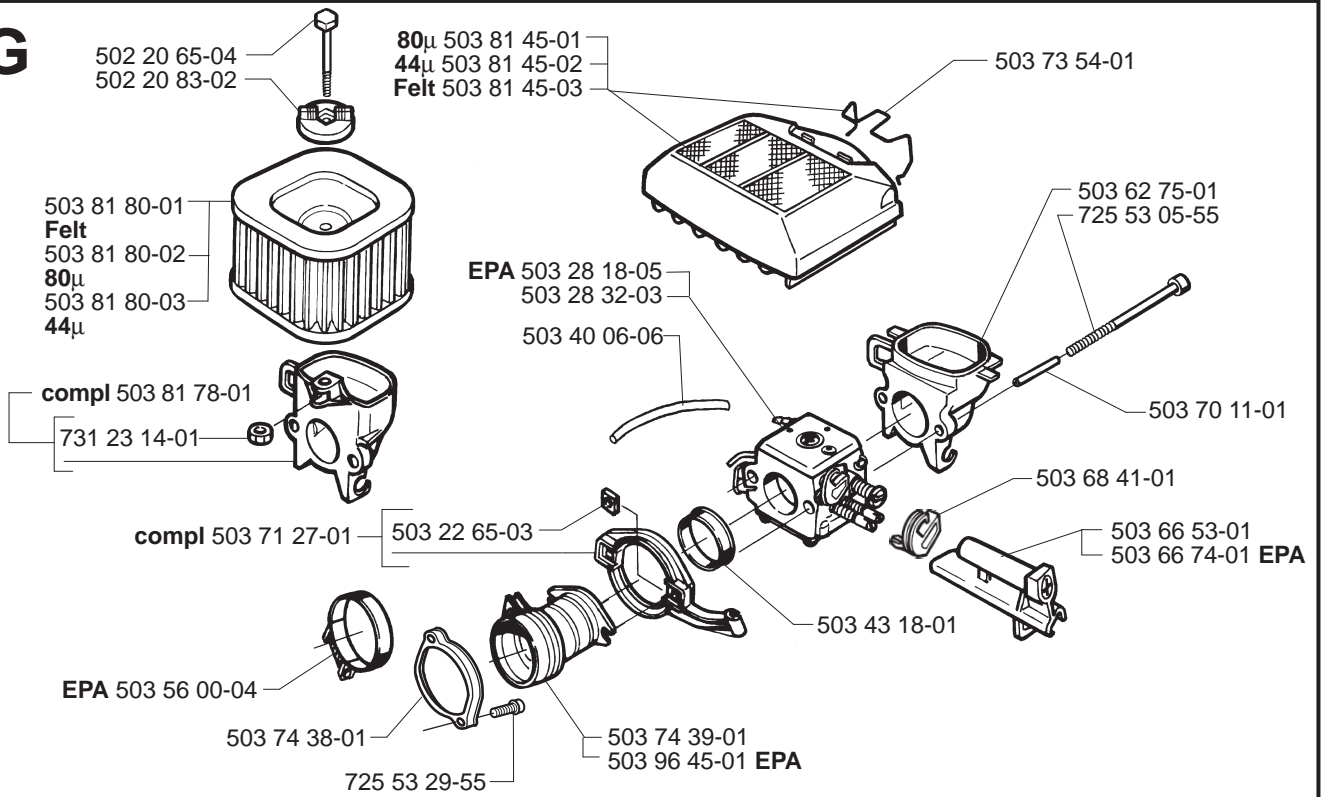
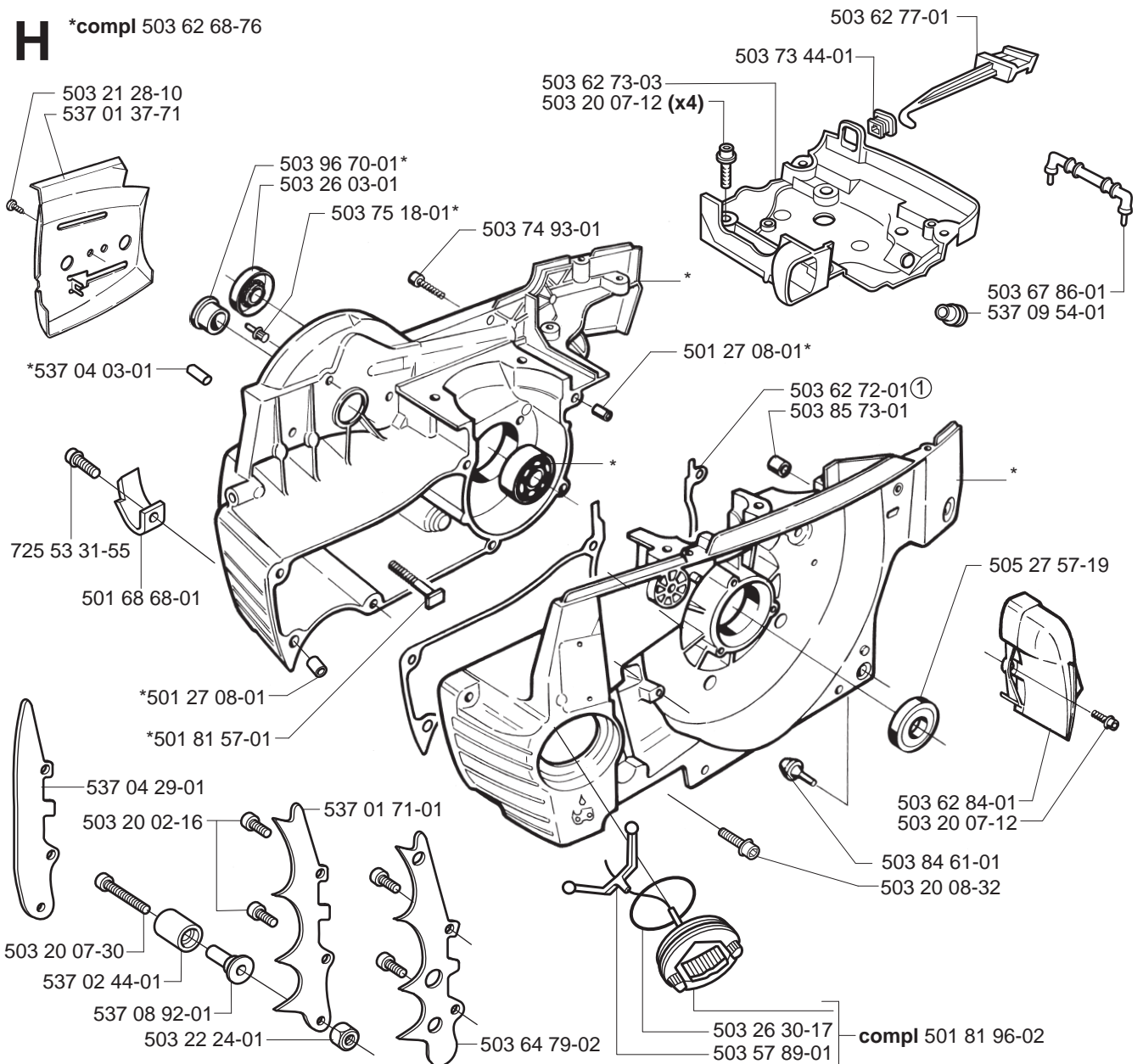


E *compl 503 74 87-02



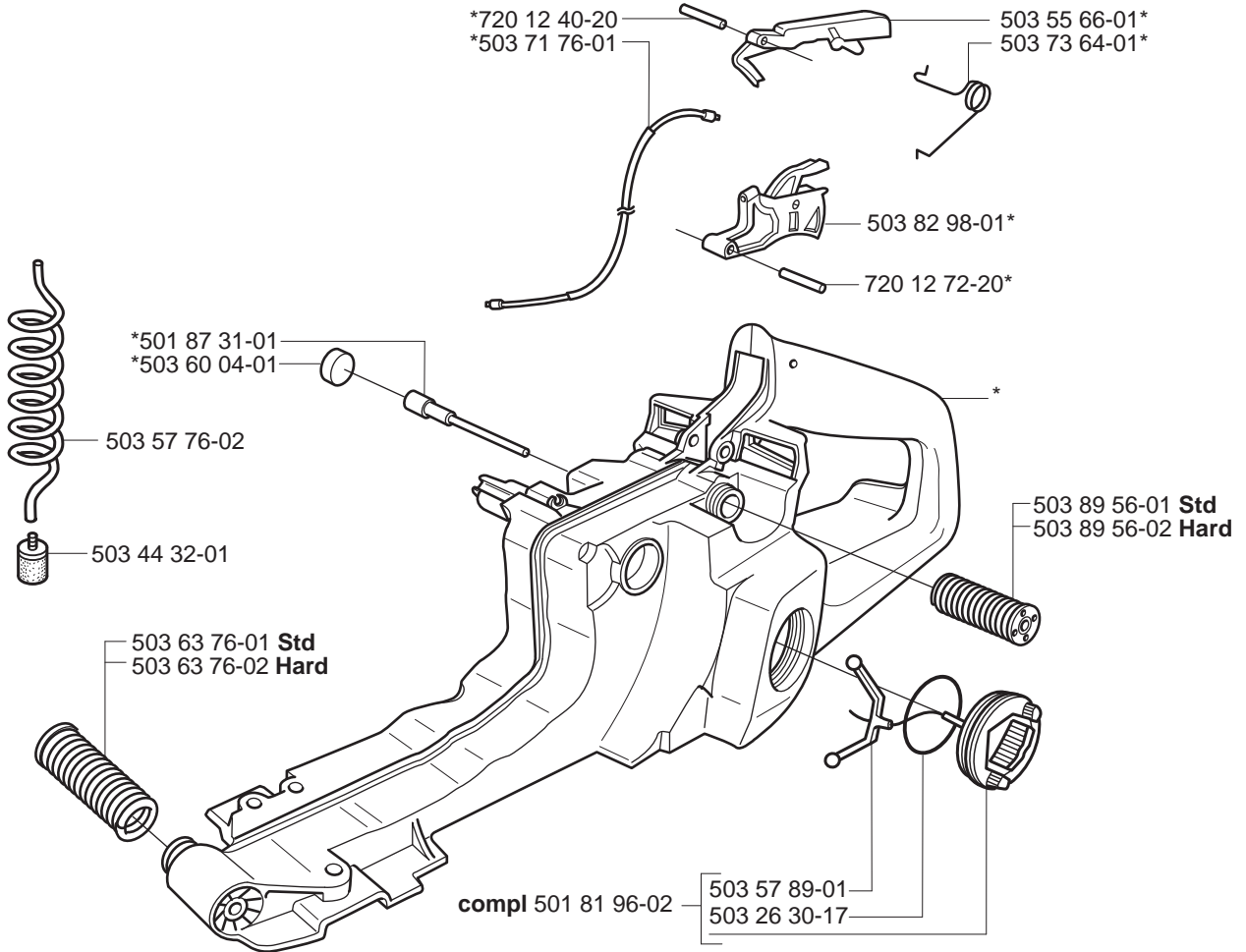
F compl 503 76 52-01 FG
*compl 503 76 54-02 DF



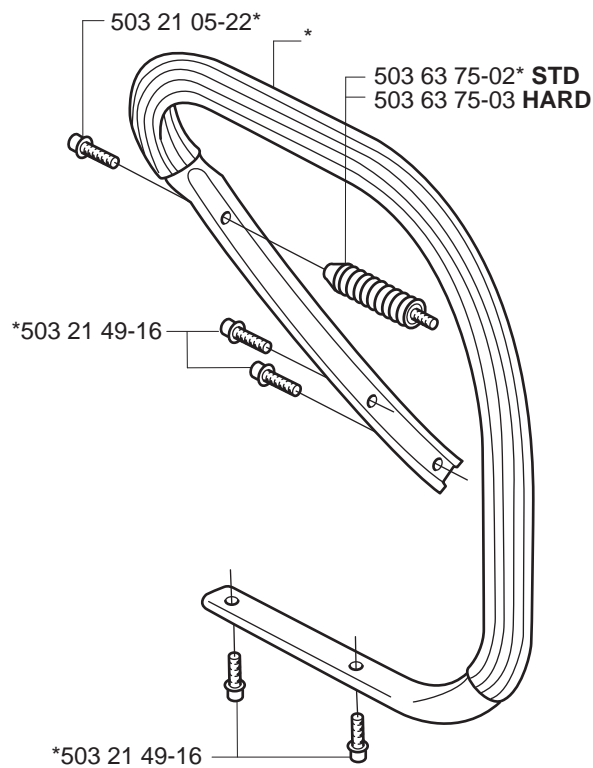
G**H*****compl 503 62 68-76**

J

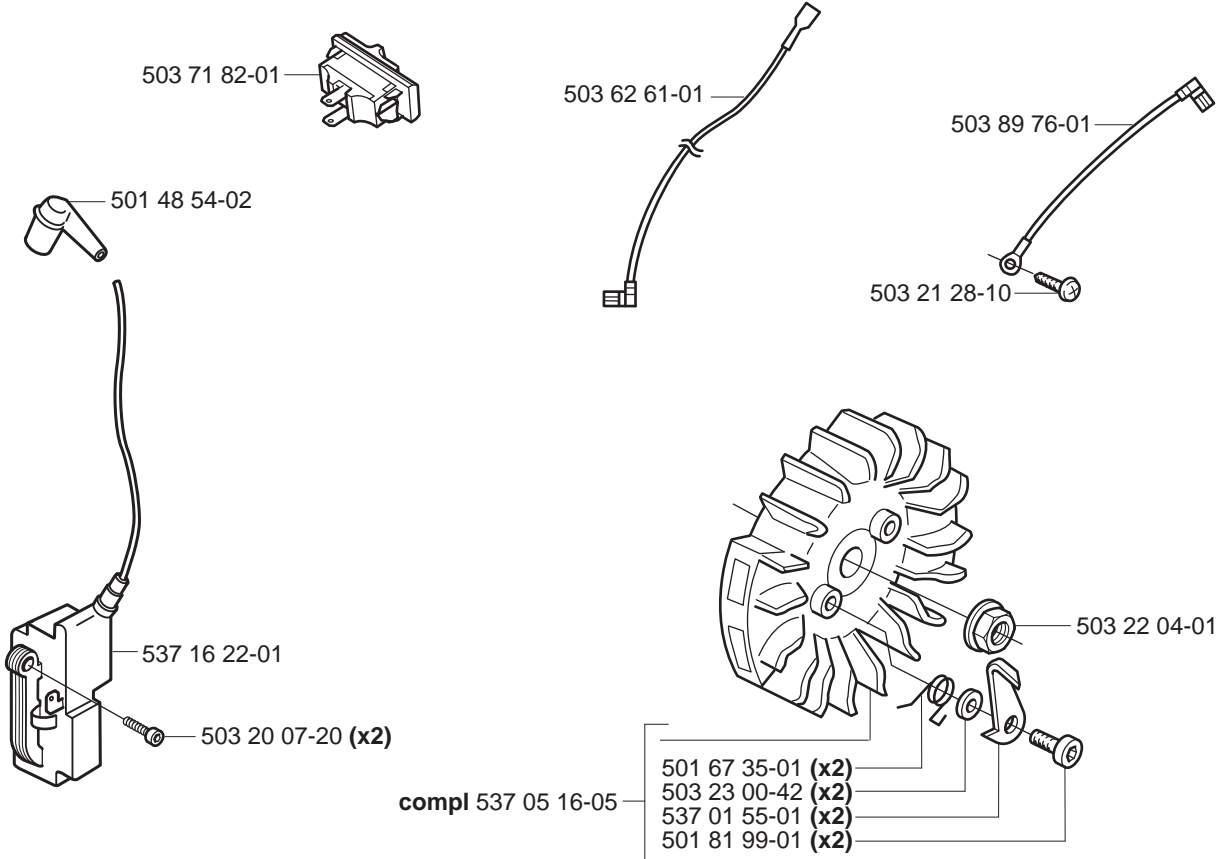
*compl 503 71 32-75

**K**

*compl 503 62 67-71

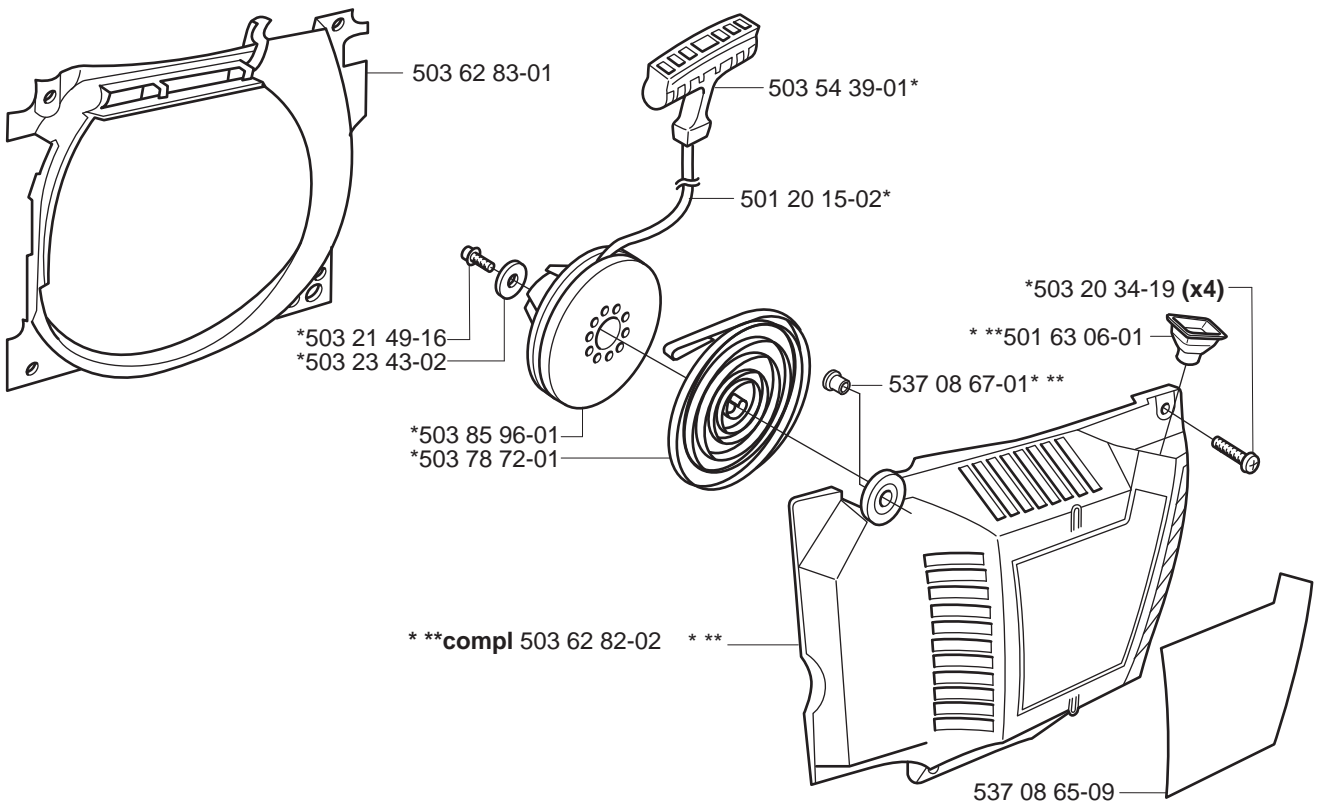


L



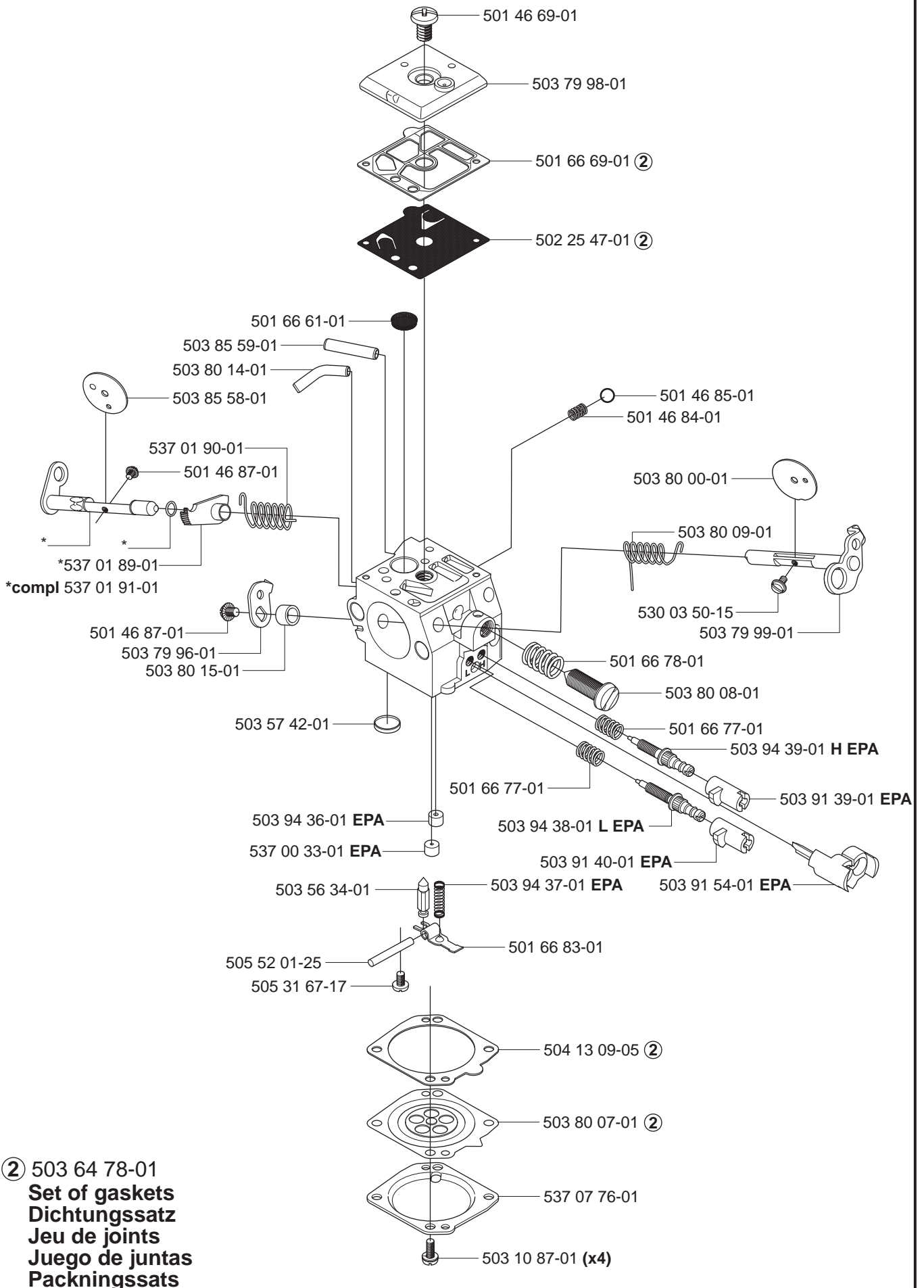
M

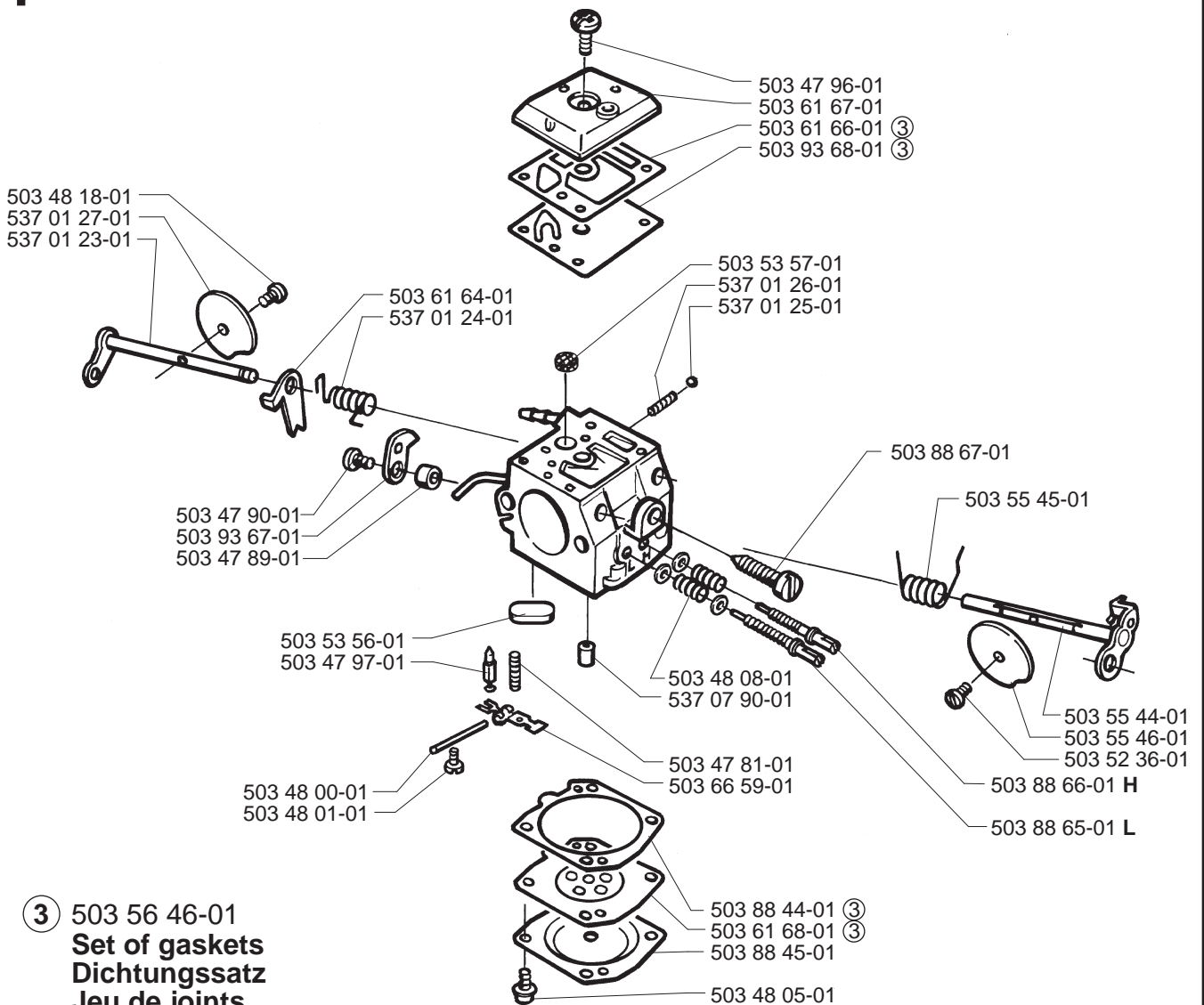
*compl 503 62 81-71



N

compl 503 28 18-05 EPA

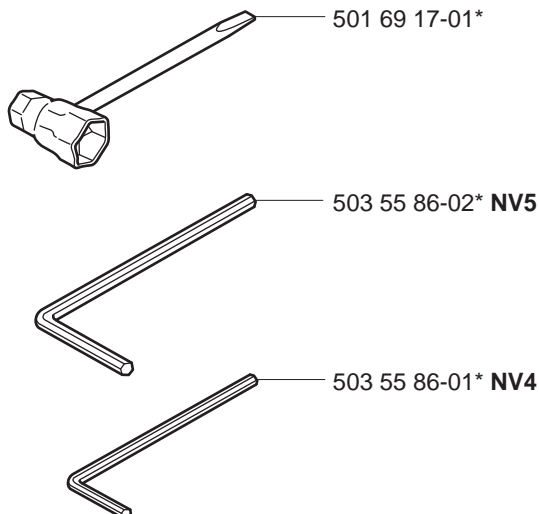
Walbro HD-12B EPA



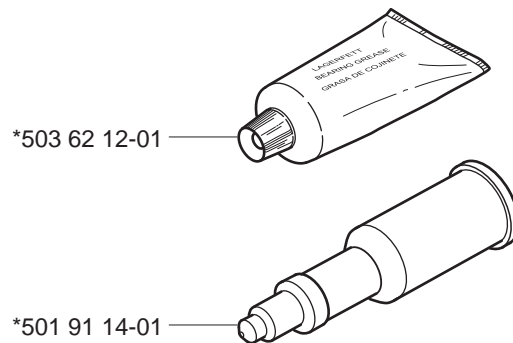
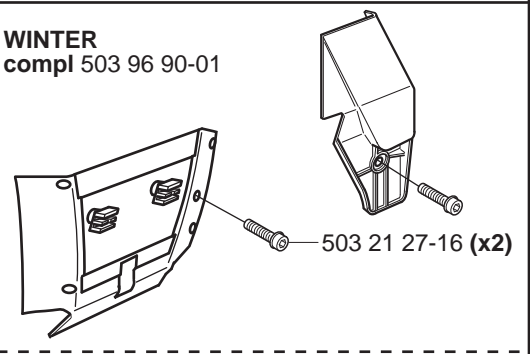
- 3** 503 56 46-01
Set of gaskets
Dichtungssatz
Jeu de joints
Juego de juntas
Packningssats

Q **Accessories**
Zubehöre
Accessories
Accesorios
Tillbehör

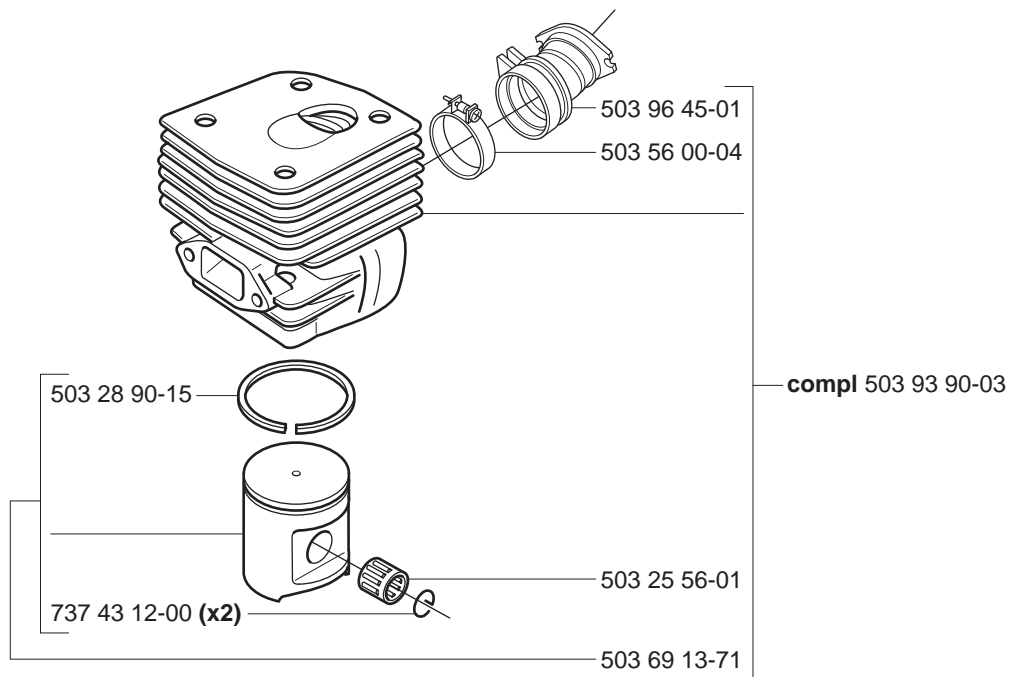
*compl 503 55 85-01



WINTER
compl 503 96 90-01



R 1 From 030501340 (2003) - To 033501081 (2003)



PART NUMBER	SQUARE NOTE	PART NUMBER	SQUARE NOTE	PART NUMBER	SQUARE NOTE	PART NUMBER	SQUARE NOTE
501 20 15-02	M	503 47 81-01	P	503 71 53-01	D	503 91 54-01	N EPA
501 27 08-01	H	503 47 89-01	P	503 71 76-01	J	503 93 67-01	P
501 27 08-01	H	503 47 90-01	P	503 71 82-01	L	503 93 68-01	P 3
501 46 69-01	N	503 47 96-01	P	503 71 97-01	A	503 93 90-03	R N
501 46 84-01	N	503 47 97-01	P	503 73 44-01	H	503 93 90-05	D
501 46 85-01	N	503 48 00-01	P	503 73 54-01	G	503 94 36-01	N EPA
501 46 87-01	N	503 48 01-01	P	503 73 64-01	J	503 94 37-01	N EPA
501 48 54-02	L	503 48 05-01	P	503 74 01-02	C	503 94 38-01	N EPA
501 51 72-01	A	503 48 08-01	P	503 74 38-01	G	503 94 39-01	N EPA
501 54 41-02	B	503 48 18-01	P	503 74 39-01	G	503 96 15-01	D N 1
501 59 80-02	B	503 52 13-01	B	503 74 43-01	B	503 96 45-01	G,R EPA
501 61 58-01	B	503 52 15-01	B	503 74 44-01	B,E	503 96 70-01	H
501 63 06-01	M	503 52 36-01	P	503 74 87-02	E N	503 96 90-01	Q
501 66 61-01	N	503 53 56-01	P	503 74 93-01	H	503 98 74-01	C
501 66 69-01	N 2	503 53 57-01	P	503 75 11-03	A	503 99 83-01	A
501 66 77-01	N	503 54 39-01	M	503 75 18-01	H	504 13 09-05	N 2
501 66 78-01	N	503 55 22-01	D	503 75 22-01	A	504 30 00-26	B
501 66 83-01	N	503 55 44-01	P	503 75 24-01	B	505 27 57-19	H
501 67 35-01	L	503 55 45-01	P	503 75 61-02	B	505 30 36-61	B
501 68 68-01	H	503 55 46-01	P	503 76 29-02	A	505 31 67-17	N
501 69 17-01	Q	503 55 66-01	J	503 76 49-03	A	505 52 01-25	N
501 81 57-01	H	503 55 85-01	Q	503 76 53-01	F	530 03 50-15	N
501 81 96-02	H,J	503 55 86-01	Q	503 76 53-02	F	537 00 33-01	N EPA
501 81 99-01	L	503 55 86-02	Q	503 76 54-02	F	537 00 87-01	A
501 87 31-01	J	503 56 00-04	G,R	503 76 64-02	F	537 01 23-01	P
501 87 53-03	A	503 56 34-01	N	503 76 65-03	F	537 01 24-01	P
501 91 14-01	Q	503 56 46-01	P Compl 3	503 77 43-01	B	537 01 25-01	P
502 20 65-04	G	503 57 42-01	N	503 77 52-01	A	537 01 26-01	P
502 20 83-02	G	503 57 76-02	J	503 77 58-02	D	537 01 27-01	P
502 25 47-01	N 2	503 57 89-01	H	503 77 59-01	D 1	537 01 37-71	H
503 10 87-01	N	503 57 89-01	J	503 77 91-01	E	537 01 55-01	L
503 20 02-16	F,H	503 60 04-01	J	503 78 72-01	M	537 01 65-01	C
503 20 06-08	F	503 61 64-01	P	503 79 27-01	A	537 01 68-01	A
503 20 07-12	A,H N	503 61 66-01	P 3	503 79 96-01	N	537 01 71-01	H
503 20 07-20	L N	503 61 67-01	P	503 79 98-01	N	537 01 74-01	A
503 20 07-30	H N	503 61 68-01	P 3	503 79 99-01	N	537 01 89-01	N
503 20 08-32	H	503 62 12-01	Q	503 80 00-01	N	537 01 90-01	N
503 20 25-12	A	503 62 49-01	B	503 80 07-01	N 2	537 01 91-01	N
503 20 34-19	M	503 62 61-01	L	503 80 08-01	N	537 02 44-01	H
503 20 34-25	C	503 62 67-71	K	503 80 09-01	N	537 03 35-01	A
503 21 05-22	K	503 62 68-76	H	503 80 14-01	N	537 03 35-71	A
503 21 27-16	Q	503 62 72-01	H 1	503 80 15-01	N	537 03 38-01	A
503 21 28-10	A,H,L	503 62 73-03	H	503 81 13-01	B	537 03 62-02	B N
503 21 49-16	K,M N	503 62 75-01	G	503 81 30-01	B	537 03 62-03	B N
503 22 00-01	A	503 62 77-01	H	503 81 45-01	G	537 04 03-01	H
503 22 04-01	L	503 62 78-07	C	503 81 45-02	G	537 04 29-01	H
503 22 24-01	H	503 62 80-01	C	503 81 45-03	G	537 04 41-02	A
503 22 65-03	G	503 62 81-71	M	503 81 78-01	G	537 05 16-05	L
503 23 00-04	B	503 62 82-02	M	503 81 80-01	G	537 07 76-01	N
503 23 00-42	L	503 62 83-01	M	503 81 80-02	G	537 07 90-01	P
503 23 00-59	B	503 62 84-01	H	503 81 80-03	G	537 07 94-01	A
503 23 00-63	A	503 63 75-02	K	503 82 98-01	J	537 07 95-01	A
503 23 00-66	A	503 63 75-03	K	503 83 81-02	A	537 08 65-09	M
503 23 43-02	M	503 63 76-01	J	503 84 61-01	H	537 08 67-01	M
503 23 51-08	D	503 63 76-02	J	503 85 58-01	N	537 08 92-01	H
503 25 56-01	D,E,R	503 64 47-01	B	503 85 59-01	N	537 09 54-01	H
503 26 03-01	H	503 64 72-01	H Compl 1	503 85 73-01	H	537 16 22-01	L
503 26 30-17	H,J	503 64 78-01	N Compl 2	503 85 96-01	M	720 12 40-20	J
503 26 30-19	E	503 64 79-02	H N	503 86 17-71	B	720 12 72-20	J
503 27 21-01	B	503 66 53-01	G	503 88 44-01	P 3	724 12 87-59	F
503 28 18-05	G,N EPA	503 66 59-01	P	503 88 45-01	P	725 53 05-55	G
503 28 32-03	G,P	503 66 74-01	G EPA	503 88 65-01	P	725 53 29-55	G
503 28 90-15	D,R	503 67 86-01	H	503 88 66-01	P	725 53 29-56	B
503 28 90-15	R	503 68 41-01	G	503 88 67-01	P	725 53 31-55	H
503 40 06-06	G	503 69 10-73	D	503 89 56-01	J	725 53 33-55	D
503 42 67-01	B	503 69 13-71	D,R	503 89 56-02	J	725 53 70-55	F
503 43 18-01	G	503 70 11-01	G	503 89 70-01	A	731 23 14-01	G
503 43 20-01	B	503 70 99-01	A	503 89 76-01	L	737 43 12-00	D,R
503 43 65-01	A	503 71 27-01	G	503 91 39-01	N EPA	738 22 02-25	E
503 44 32-01	J	503 71 32-75	J	503 91 40-01	N EPA	740 48 07-02	A

1 = 503 64 72-01
2 = 503 64 78-01
3 = 503 56 46-01

Set of gaskets, Dichtungssats,
Jeu de joints, Juego de juntas,
Packningssats

N = New part, Neues teil,
Nouvelle piece, Nueva pieza
Ny detalj

EPA = Environmental Protection Agency
(for USA only)