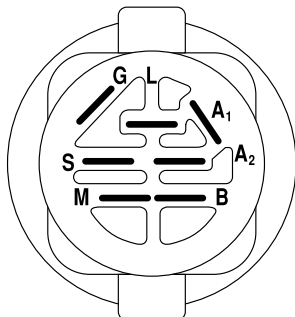
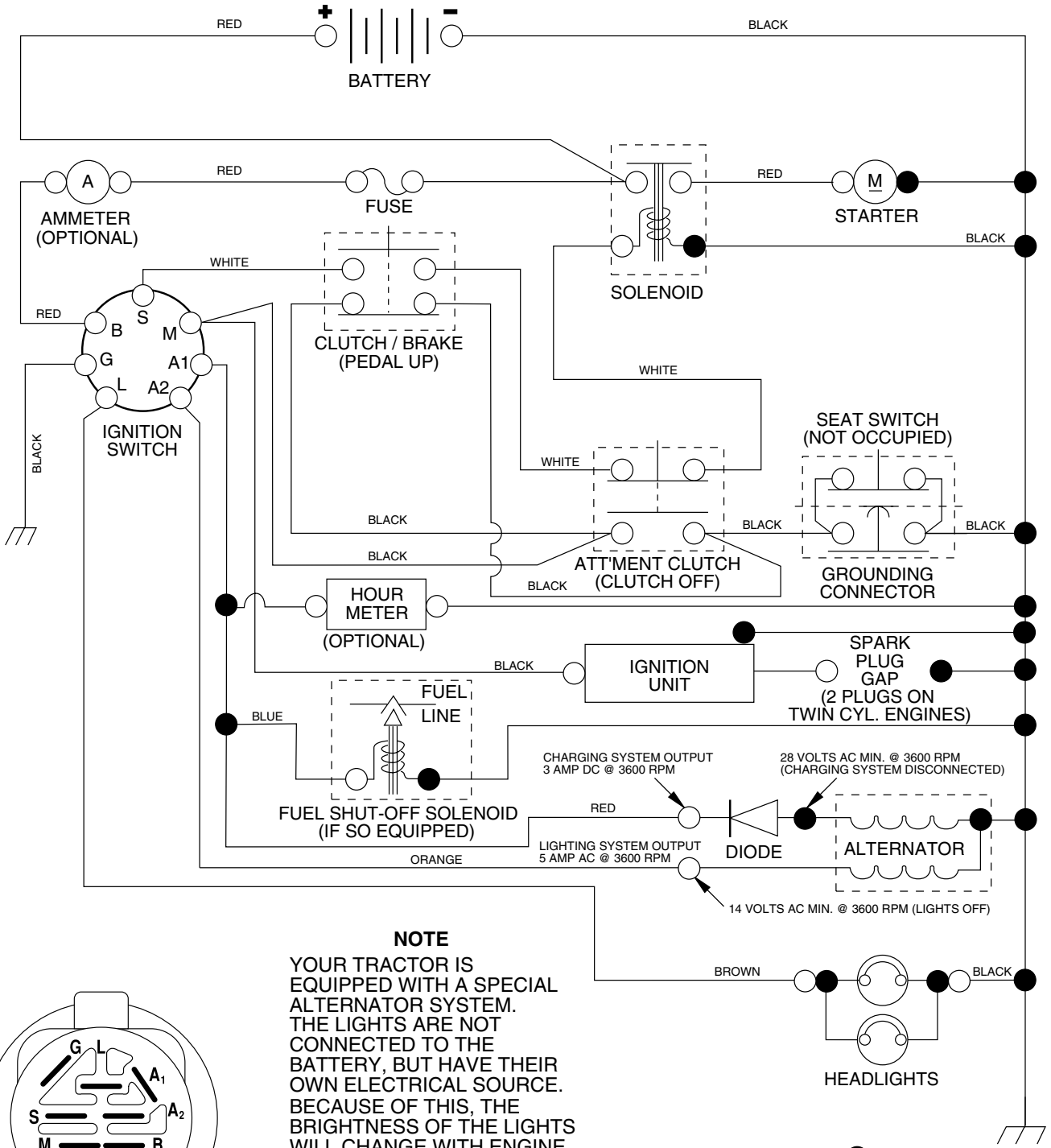


LTH130

Spare parts
Ersatzteile
Pièces détachées
Reserve onderdelen
Repuestos
Reservdelar

REPAIR PARTS

TRACTOR - MODEL NO. LTH130 (HALTH130C), PRODUCT NO. 954 11 00-61 SCHEMATIC



IGNITION SWITCH

POSITION	CIRCUIT	"MAKE"
OFF	M+G+A1	NONE
RUN/LIGHT	B+A1	A2+L
RUN	B+A1	NONE
START	B + S + A1	NONE

NOTE
YOUR TRACTOR IS EQUIPPED WITH A SPECIAL ALTERNATOR SYSTEM. THE LIGHTS ARE NOT CONNECTED TO THE BATTERY, BUT HAVE THEIR OWN ELECTRICAL SOURCE. BECAUSE OF THIS, THE BRIGHTNESS OF THE LIGHTS WILL CHANGE WITH ENGINE SPEED. AT IDLE THE LIGHTS WILL DIM. AS THE ENGINE IS SPEEDED UP, THE LIGHTS WILL BECOME THEIR BRIGHTEST.

WIRING INSULATED CLIPS

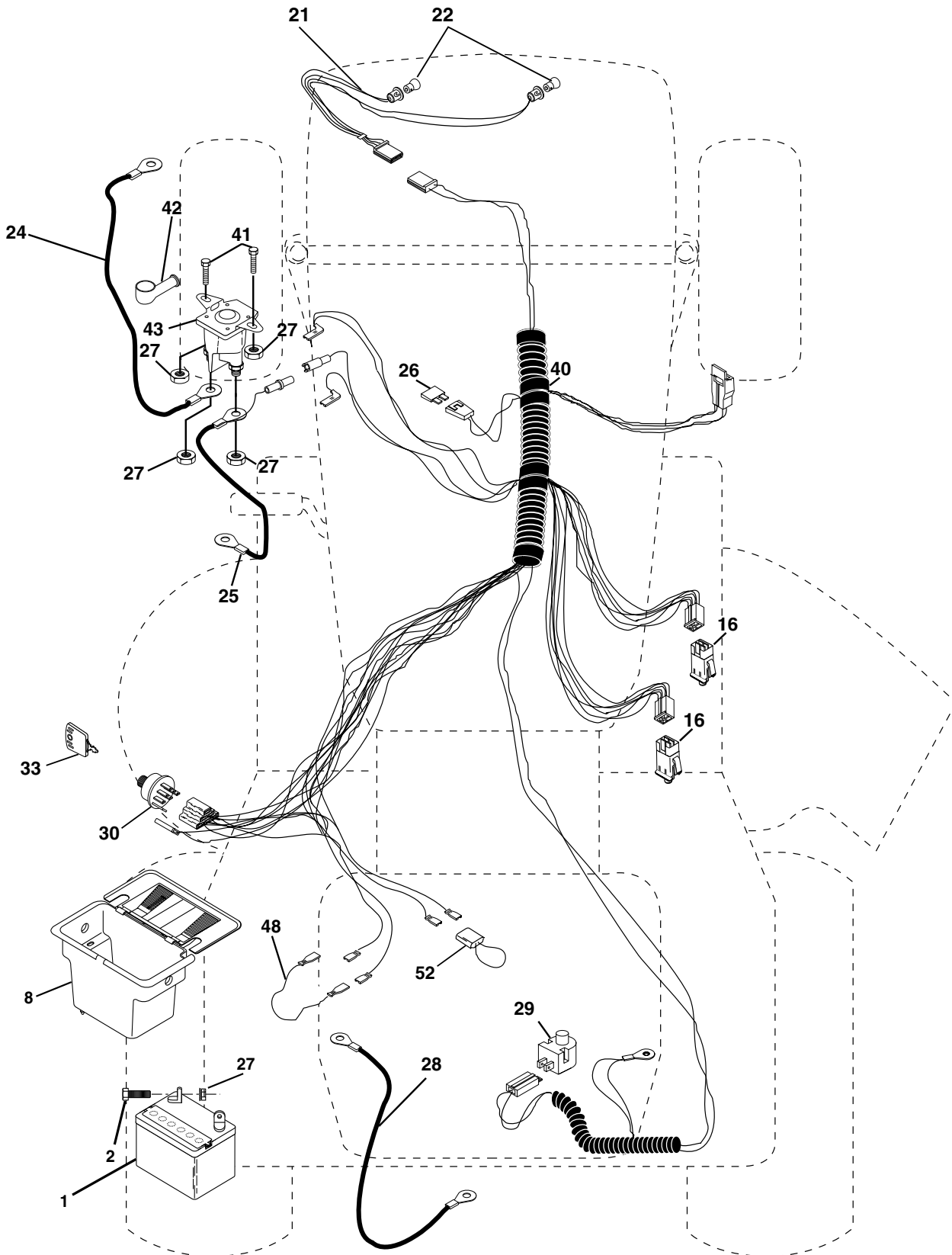
NOTE: IF WIRING INSULATED CLIPS WERE REMOVED FOR SERVICING OF UNIT, THEY SHOULD BE REPLACED TO PROPERLY SECURE YOUR WIRING.

NON-REMOVABLE CONNECTIONS

REMOVABLE CONNECTIONS

REPAIR PARTS

TRACTOR - MODEL NO. LTH130 (HALTH130C), PRODUCT NO. 954 11 00-61
ELECTRICAL



REPAIR PARTS

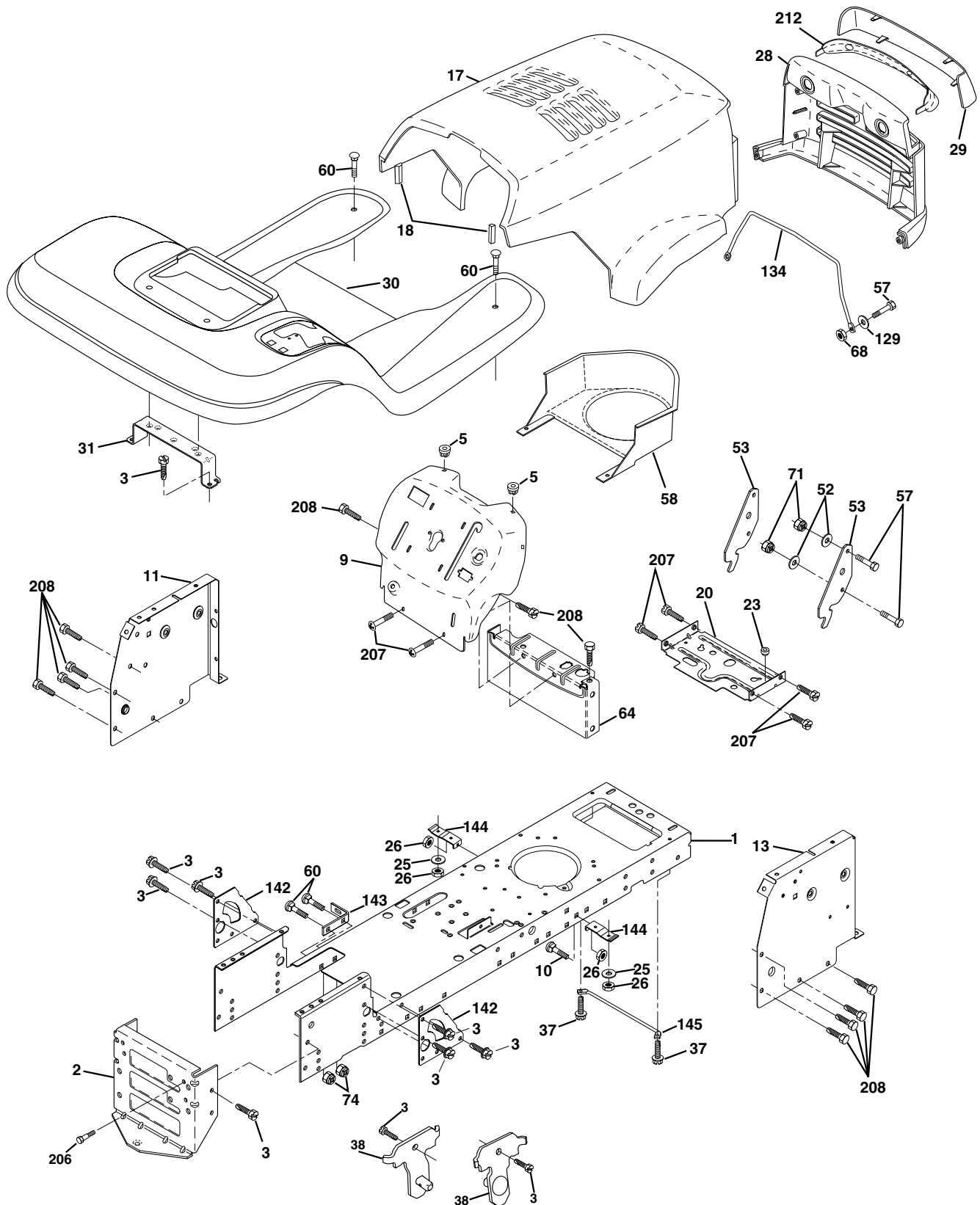
TRACTOR - MODEL NO. LTH130 (HALTH130C), PRODUCT NO. 954 11 00-61
ELECTRICAL

KEY NO.	PART NO.	DESCRIPTION
1	532144925	Battery 12 Volt 25 AMP
2	874760412	Bolt Hex Hd 1/4-20unc X 3/4
8	532156417	Case Battery Mech Hinge
16	532153664	Switch Interlock Push-In
21	532166181	Harness Asm Light W/4152j
22	532004152	Bulb Light #1156
24	532124780	Cable Battery 6 Ga 11" red
25	532146147	Cable Battery 6 Ga 44" red w/16 wire
26	532166180	Fuse 30 AMP Auto Green
27	873510400	Nut Keps Hex 1/4-20 Unc
28	532124773	Cable Ground 6 Ga 12" black
29	532121305	Switch Plunger Nc Gray
30	532163968	Switch Ign
33	532140401	Key Ign Molded Generic
40	532170217	Harness Ign.
41	871110408	Bolt Blk Fin Hex 1/4 - 20 x 1/2
42	532131563	Cover Terminal Red
43	532145673	Solenoid
48	532140844	Adapter Ammeter Rectangular
52	532141940	Protection Wire Loop

NOTE: All component dimensions given in U.S. inches.
1 inch = 25.4 mm.

REPAIR PARTS

TRACTOR - MODEL NO. LTH130 (HALTH130C), PRODUCT NO. 954 11 00-61
CHASSIS AND ENCLOSURES



REPAIR PARTS

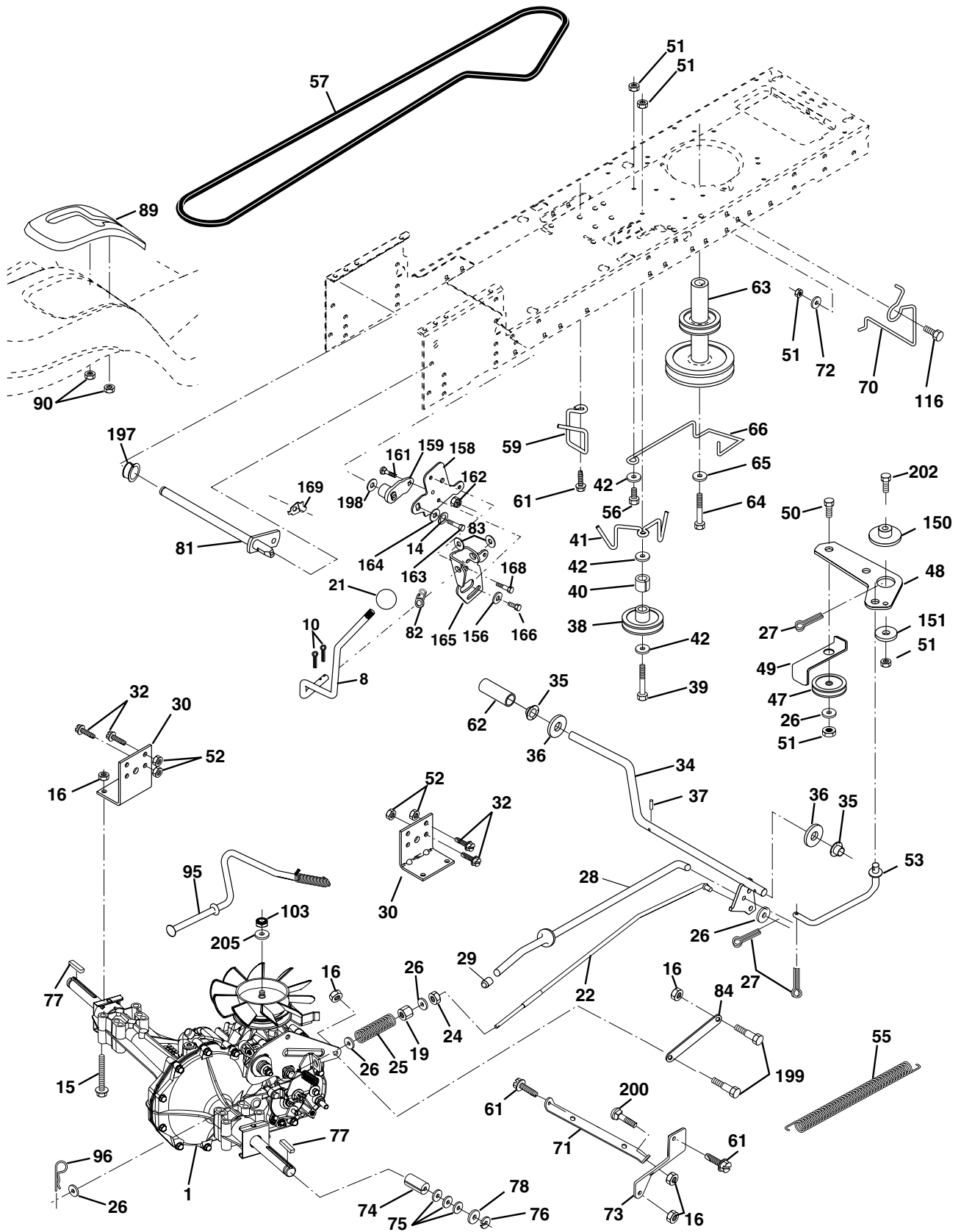
TRACTOR - MODEL NO. LTH130 (HALTH130C), PRODUCT NO. 954 11 00-61 CHASSIS AND ENCLOSURES

KEY NO.	PART NO.	DESCRIPTION
1	532169830	Chassis Stamping
2	532169061	Drawbar
3	817060612	Screw 3/8-16x3/4
5	532155272	Bumper Hood/Dash
9	532171853	Dash P/L
10	872140608	Bolt Carriage 3/8-16 x 1
11	532155927	Panel Dash Lh
13	532173025	Panel Dash Rh
17	532165378	Hood LT/PL Husqvarna
18	532126938	Bumper Hood
20	532156437	Plate Mtg Battery Fuel Tank Fr
23	532124028	Bushing
25	819131312	Washer 13/32 X 13/16 X 12 Ga
26	873800600	Nut Lock Hex W/Ins 3/8-16 Unc
28	532165379	Grille LT/PL Husqvarna
29	532165380	Lens LT/PL Husqvarna
30	532171854	Fender Footrest STLT Pnt
31	532139976	Bracket Support Fender
37	817490508	Screw Thdrol 6/16-18 x 1/2 TYT
38	532169834	Bracket, Asm. Pivot, Mower Rear
52	819091416	Washer 9/32 x 7/8 x 16 Ga.
53	532150067	Bracket Pnt. Pick off LT/PL Husqvarna
57	874780412	Bolt Hex 1/4-20 x 3/4
58	532150127	Air Duct Engine P/L
60	872140606	Bolt Rdhd Sqnk 3/8-16unc x 3/4
64	532154798	Dash Lower STLT
68	873510400	Nut keps Hex 1/4-20 unc
71	873680400	Nut Crownlock 1/4-20unc
74	873680600	Nut Crownlock 3/8-16 UNC
129	819091016	Washer 9/32 x 5/8 x 16 Ga.
134	532160219	Rod Support Hood LT/PL Husq.
142	532165867	Plate Reinforcement STLT
143	532154966	Bracket Swaybar Chassis
144	532154207	Bracket Pnt Footrest STLT
145	532156524	Rod Pivot Chassis/Hood
206	532170165	Bolt Shoulder 5/16-18 TT
207	817670508	Screw Thdrol 5/16-18 x 1/2
208	817670608	Screw Thdrol 3/8-16 x 1/2
212	532156195	Insert Lens Reflective
--	532005479	Plug Button

NOTE: All component dimensions given in U.S. inches
1 inch = 25.4 mm

REPAIR PARTS

TRACTOR - MODEL NO. LTH130 (HALTH130C), PRODUCT NO. 954 11 00-61
DRIVE



REPAIR PARTS

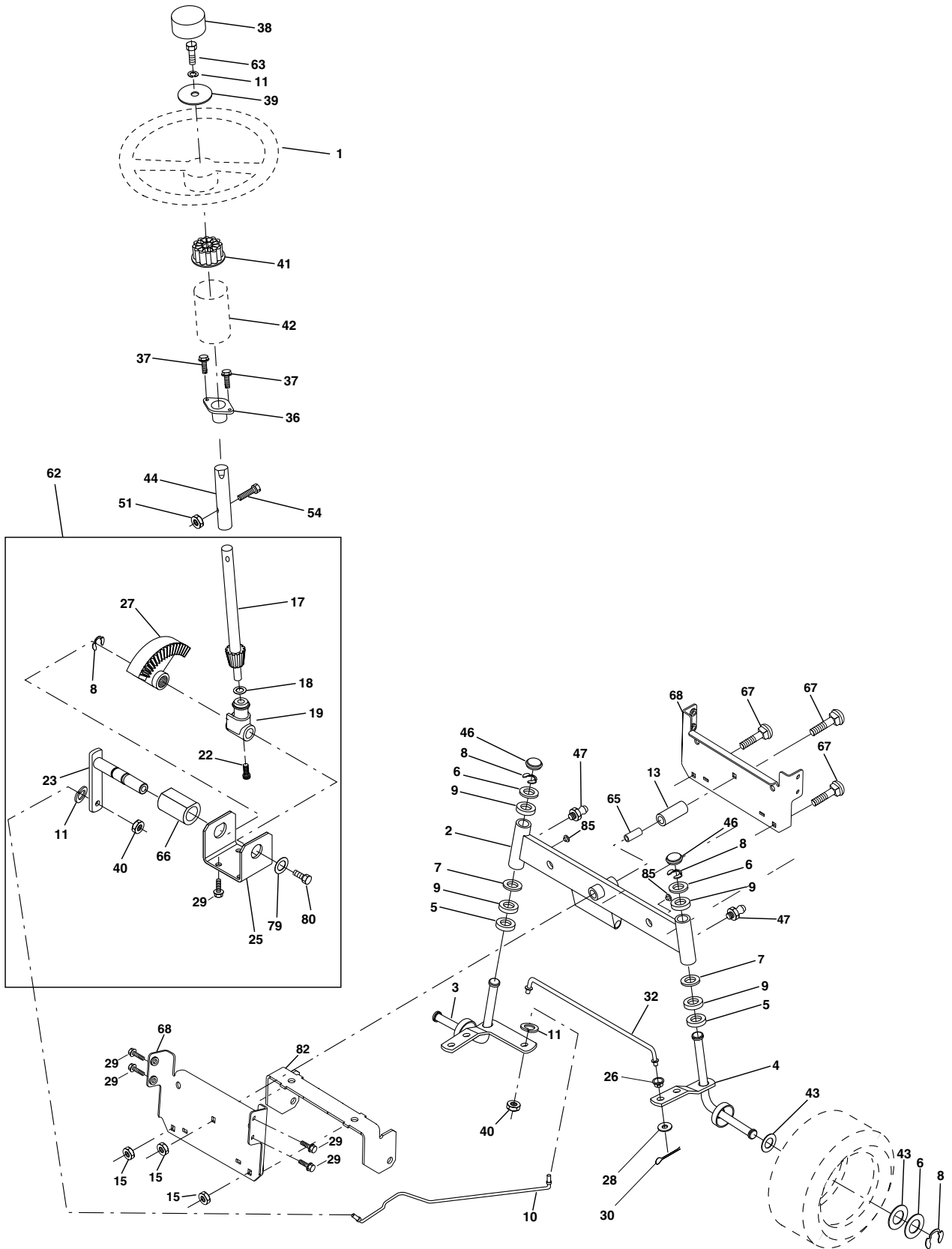
**TRACTOR - MODEL NO. LTH130 (HALTH130C), PRODUCT NO. 954 11 00-61
DRIVE**

KEY PART NO. NO.	DESCRIPTION	KEY PART NO. NO.	DESCRIPTION
1	----- Transaxle Hydro Gr Model 322-0510 (Order parts from transaxle mfg.)	65	810040700 Washer
8	532165866 Rod Shift Fender STLT	66	532154778 Keeper Belt Engine
10	876020416 Pin Cotter 1/8 x 1 CAD	70	532134683 Guide Belt Mower Drive RH
14	810040400 Washer Lock Hvy Helical 1/4	71	532169183 Strap Torque Lh Hydro
15	874490544 Bolt Hex Flg Hd 5/16-18 x Gr.5	72	819132012 Washer 13/32 x 1-1/4 x 12 Ga.
16	873800500 Nut Lock Hex W/Ins. 5/16-18 Unc	73	532169182 Strap Torque Rh Hydro
19	873800600 Nut Lock Hex W/Wsh 3/8-16 Unc	74	532137057 Spacer, Axle
21	532121274 Knob, Duckhead	75	532121749 Washer 25/32 x 1-1/4 x 16 Gauge
22	532169498 Rod, Brake Hydro	76	812000001 E-Ring
24	873350600 Nut	77	532123583 Key, Square
25	532106888 Spring, Brake Rod	78	532121748 Washer 25/32 x 1-5/8 x 16 Gauge
26	819131316 Washer	81	532165596 Shaft Asm. Cross Hydro
27	876020412 Pin Cotter 1/8 x 3/4 CAD.	82	532165711 Spring Torsion T/A
28	532145204 Rod, Parking Brake	83	819171216 Washer 17/32 x 3/4 x 16 Ga.
29	532071673 Cap, Parking Brake	84	532169843 Link Transaxle
30	532174973 Bracket, Transaxle	89	532166510 Console, Shift
32	874760512 Bolt Hex Hd 5/16-18 Unc x 3/4	90	532124346 Nut Self-Thd wsh-Hd 1/4 Zinc
34	532155071 Shaft, Foot Pedal	95	532170201 Control Asm Bypass Hydro
35	532120183 Bearing, Nylon	96	532124788 Retainer Spring 1" Zinc/Cad
36	819211616 Washer	103	873940800 Nut Hex Jam Toplock 1/2-20 Unf
37	532124963 Pin, Roll	116	872110610 Boulon 3/8-16 x 1.25
38	532131494 Pulley, Idler, Flat	150	532165850 Bushing Bellcrank Grd Drive
39	874760644 Bolt	151	819133210 Washer 13/32 x 2 x 10 Ga.
40	532124965 Spacer, Split	156	532166002 Washer Srted 5/16 IDx 1.0 x .125 Tk
41	532165838 Keeper, Belt Idler	158	532165589 Bracket Shift Mount
42	819131312 Washer 13/32 x 13/16 x 12 Gauge	159	532165494 Hub Tapered Flange Shift LT
47	532127783 Pulley, Idler, V-Groove	161	872140406 Bolt Rdhd Sqnk 1/4-20 x 3/4 Gr. 5
48	532154407 Bellcrank Clutch Grnd Drv Stl	162	873680400 Nut Crownlock 1/4-20 Unc
49	532123205 Retainer, Belt	163	874780416 Bolt Hex Fin 1/4-20 Unc x 1 Gr. 5
50	874760624 Bolt Hex Hd 3/8-16 Unc x 1-1/2	164	819091010 Washer 5/8 x .281 x 10 Ga
51	873680600 Nut	165	532165623 Bracket Pivot Lever
52	873680500 Nut Crownlock 5/16-18	166	532166880 Screw 5/16-18 x 5/8 TT Yellow
53	532105710 Link, Clutch	168	532165492 Bolt Shoulder 5/16-18 x .561 TT
55	532105709 Spring, Return, Clutch	169	532165580 Plate Fastening Cross Shf. STLT/ CRD
56	874760620 Bolt Fin Hex 3/8-16 Unc x 1-1/4	197	532169613 Nyliner Snap-In 5/8" ID
57	532140294 V-Belt, Ground Drive	198	532169593 Washer Nyl. 7/8 ID x .105"
59	532169691 Keeper, Center Span	199	532169612 Bolt Shoulder 5/16-18 Unc
61	817060612 Screw 3/8-16 x 3/4	200	872140508 Bolt Rdhd Sqnk 5/16-18 Unc x 1
62	532124872 Cover, Pedal	202	872110612 Bolt
63	532140186 Pulley, Clutch Eng	205	819171616 Washer 17/32 x 1 x 16 Ga.
64	871170764 Bolt Hex 7/16-20 x 4 Ga. 5		

NOTE: All component dimensions given in U.S. inches
1 inch = 25.4 mm

REPAIR PARTS

TRACTOR - MODEL NO. LTH130 (HALTH130C), PRODUCT NO. 954 11 00-61
STEERING ASSEMBLY



REPAIR PARTS

TRACTOR - MODEL NO. LTH130 (HALTH130C), PRODUCT NO. 954 11 00-61 STEERING ASSEMBLY

KEY NO.	PART NO.	DESCRIPTION
1	532124415	Wheel Steering
2	532154427	Axle Asm
3	532169840	Spindle Asm LH
4	532169839	Spindle Asm RH
5	532124931	Bearing Race Thrust Harden
6	532121748	Washer 25/32 X 1-5/8 X 16 Ga
7	819272016	Washer 27/32 x 1-1/4 x 16 Ga
8	812000029	Ring Klip #t5304-75
9	532124937	Bearing Col Strg Blk
10	532169832	Link Drag
11	810040600	Washer Lock Hvy Hlcl Spr 3/8
13	532136518	Spacer Brg Axle Front
15	532145212	Nut Hex Flange Lock
17	532156546	Shaft Asm Strg
18	532057079	Washer Thrust 515x 750x 033
19	532160395	Support Shaft
22	532165857	Screw Hex
23	532165851	Shaft Asm Pittman
25	532154406	Bracket Steering
26	532126847	Bushing Link Drag
27	532136874	Gear Sector
28	819131416	Washer 13/32 x 7/8 x 16 Ga
29	817060612	Screw 3/8-16x3/4
30	876020412	Pin Cotter 1/8 x 3/4
32	532130465	Rod Tie
36	532155099	Bushing Strg
37	532152927	Screw
38	532124416	Insert Cap Strg Wh
39	819133812	Washer 13/32 X 2-3/8 x 12 Ga
40	532124701	Lock nut
41	532100711	Adaptor Wheel Strg
42	532169634	Boot Steering Shaft
43	532121749	Washer 25/32 X 1 1/4 X 16 Ga
44	532153720	Extension Steering Shaft LR/LT
46	532121232	Cap Spindle Fr Top Blk
47	532124836	Fitting Grease
51	873800500	Nut Lock Hex w/Ins 5/16-18
54	874780520	Bolt Fin Hex 5/16-18 Unc x 1-1/4
62	532167902	Kit, Steering Assembly Svc
63	874780616	Bolt Fin Hex 3/8-16unc x 1 Gr. 5
65	532160367	Spacer Brace Axle
66	532154404	Bearing Arm Pittman
67	872140618	Bolt, Rdhd Sq 3/8-16 x 2-1/4
68	532169827	Axle, Brace
79	819132012	Washer 13/32 x 1-1/4 x 12 Ga
80	874950612	Bolt Hex Nylon 3/8-16 x 3/4
82	532169635	Bracket Susp Chassis Front
85	532133835	Fastener Christmas Tree

NOTE: All component dimensions given in U.S. inches.
1 inch = 25.4 mm.

REPAIR PARTS

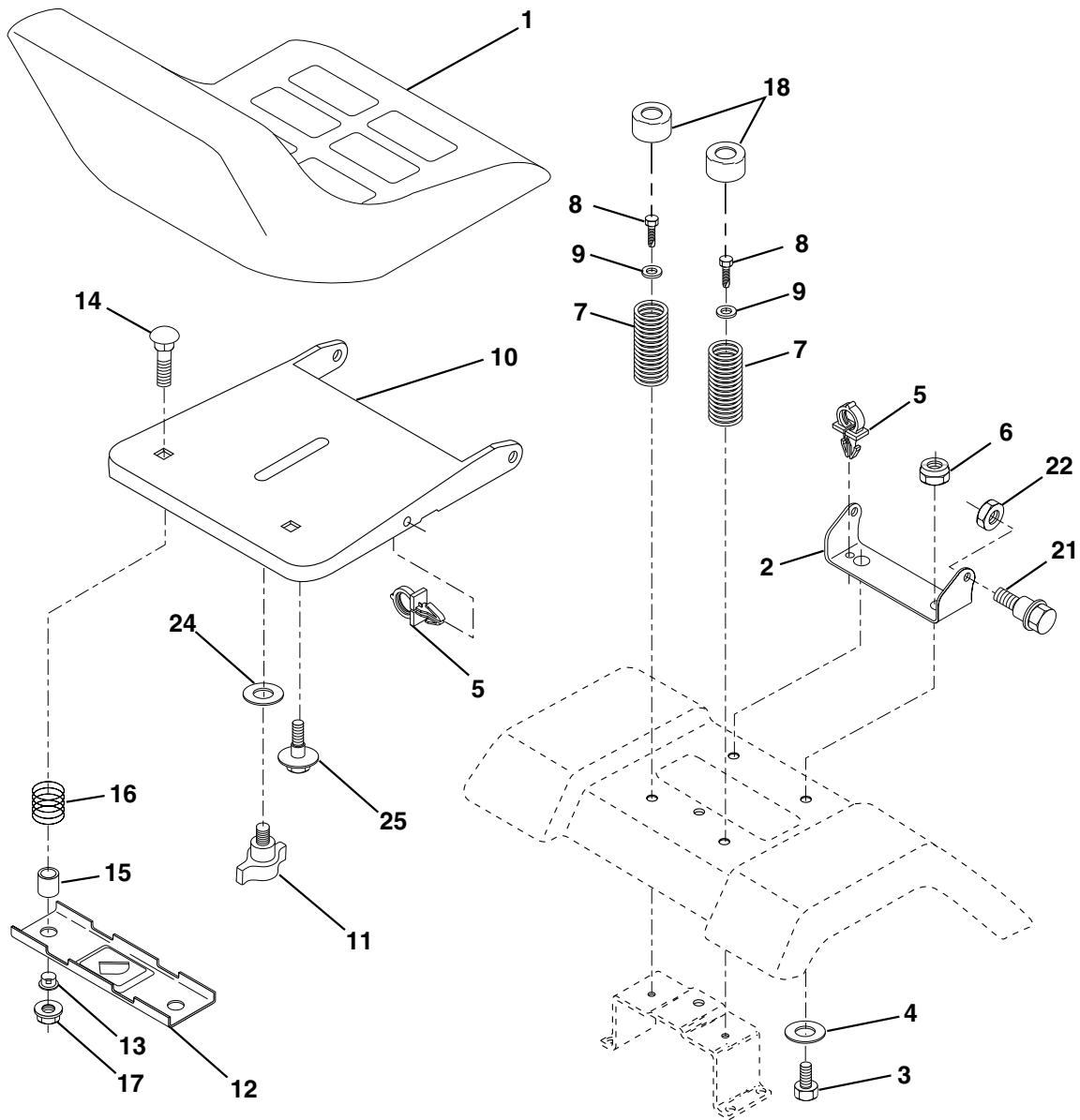
TRACTOR - MODEL NO. LTH130 (HALTH130C), PRODUCT NO. 954 11 00-61
ENGINE

KEY NO.	PART NO.	DESCRIPTION
1	532140310	Control Th/ch 23.5 LH Flag
2	817720410	Screw Hex Thd Cut 1/4-20x5/8 T
3	-----	Engine B&S Model No. 28R707 (Order Parts From Engine Manufacturer)
4	532137348	Muffler LT B&S
13	532165291	Gasket Eng 1 313 Id Tin Plated
14	813280324	Nipple Pipe 3/8 Npt X 3"
15	813200300	Elbow Std 90 Degree 3/8-18 Npt
16	811050600	Washer Lock Ext Tooth 3/8
23	532169837	Shield Brn/Dbr Guard
29	532137180	Kit Spark Arrestor (Flat Scrn)
31	532161911	Tank Fuel Front 2 00
32	532140527	Cap Asm Fuel W/sym Vented
33	532123487	Clamp Hose Black
37	532137040	Line Fuel 20"
38	-----	Plug Oil Drain (Order From Engine Manufacturer)
40	532124028	Bushing Snap Nyl Blk Fuel Line
44	817670412	Screw Hexwsh Thdrol 1/4-20x3/4
45	817000612	Screw Hexwsh Thdrol 3/8-16 x 3/4
46	819091416	Washer 9/32 X 7/8 X 16 Ga
62	810040500	Washer Lock Hvy Hlcl Spr 5/16
72	871070512	Screw Hexhd Cap 5/16-18 x 3/4
78	817060620	Screw 3/8-16x1-1/4
81	873510400	Nut Keps Hex 1/4-20 unc

NOTE: All component dimensions given in U.S. inches
1 inch = 25.4 mm

REPAIR PARTS

TRACTOR - MODEL NO. LTH130 (HALTH130C), PRODUCT NO. 954 11 00-61
SEAT ASSEMBLY



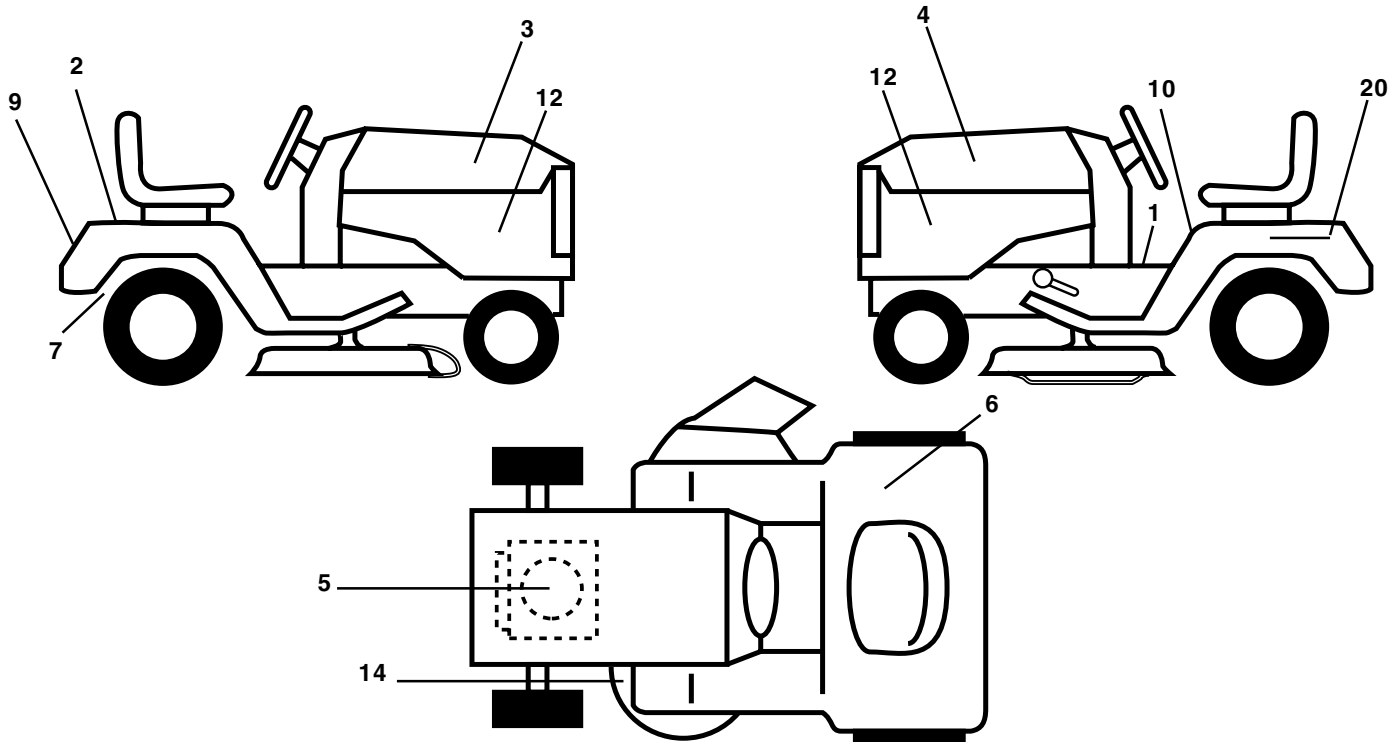
KEY NO.	PART NO.	DESCRIPTION
1	532140838	Seat
2	532140551	Bracket Pivot Seat 8 720
3	871110616	Bolt Fin Hex 3/8-16unc X 1
4	819131610	Washer 13/32 X 1 X 10 Ga
5	532145006	Clip Push-In
6	873800600	Nut Hex w/Ins. 3/8-16 Unc
7	532124181	Spring Seat Cprsn 2 250 Blk Zi
8	817000616	Screw 3/8-16 X 1-1/2
9	819131614	Washer 13/32 X 1 X 14 Ga.
10	532155925	Pan Seat
11	532166369	Knob Seat
12	532121246	Bracket Mounting Switch

KEY NO.	PART NO.	DESCRIPTION
13	532121248	Bushing Snap Blk Nyl 50 Id
14	872050412	Bolt Rdhd Sqnk 1/4-20x1-1/2
15	532134300	Spacer Split 28x 96 Yel Zinc
16	532121250	Spring Cprsn 1 27 Blk Pnt
17	532123976	Nut Lock 1/4 Lge Flg Gr 5 Zinc
18	532124238	Cap Spring Seat
21	532171852	Bolt Shoulder 5/16-18 Unc
22	873800500	Nut Hex Lock W/Ins 5/16-18
24	819171912	Washer 17/32 X 1-3/16 X 12 Ga.
25	532127018	Bolt Shoulder 5/16-18 X 62

NOTE: All component dimensions given in U.S. inches.
1 inch = 25.4 mm

REPAIR PARTS

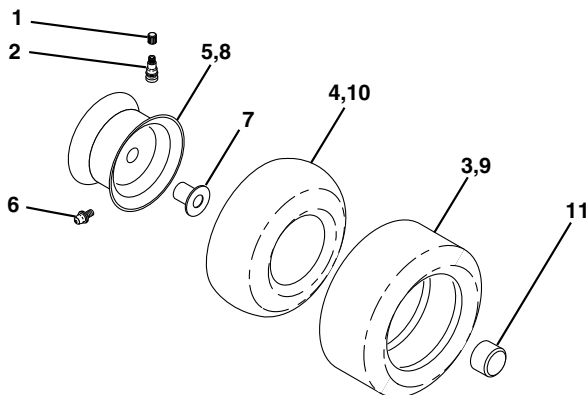
TRACTOR - MODEL NO. LTH130 (HALTH130C), PRODUCT NO. 954 11 00-61
DECALS



KEY NO.	PART NO.	DESCRIPTION
1	532156811	Decal Fender Stlt Oper Inst
2	532168869	Decal Tick Mark
3	532150725	Decal Hood RH
4	532150726	Decal Hood LH
5	532170848	Decal HP Engine
6	532124433	Decal 80 DBA
7	532169210	Decal Bypass Lt Hydro
9	532150617	Decal Fender Logo

KEY NO.	PART NO.	DESCRIPTION
10	532157002	Decal Fender Danger
12	532159713	Decal PNL Side
14	532160396	Decal V-Belt Schematic
20	532145005	Decal Bat Dan/Psn
--	532171284	Pad Footrest LH STLT
--	532171285	Pad Footrest RH STLT
--	532138311	Decal Handle Lft Height Adjust
--	532175275	Manual Owner's

WHEELS & TIRES

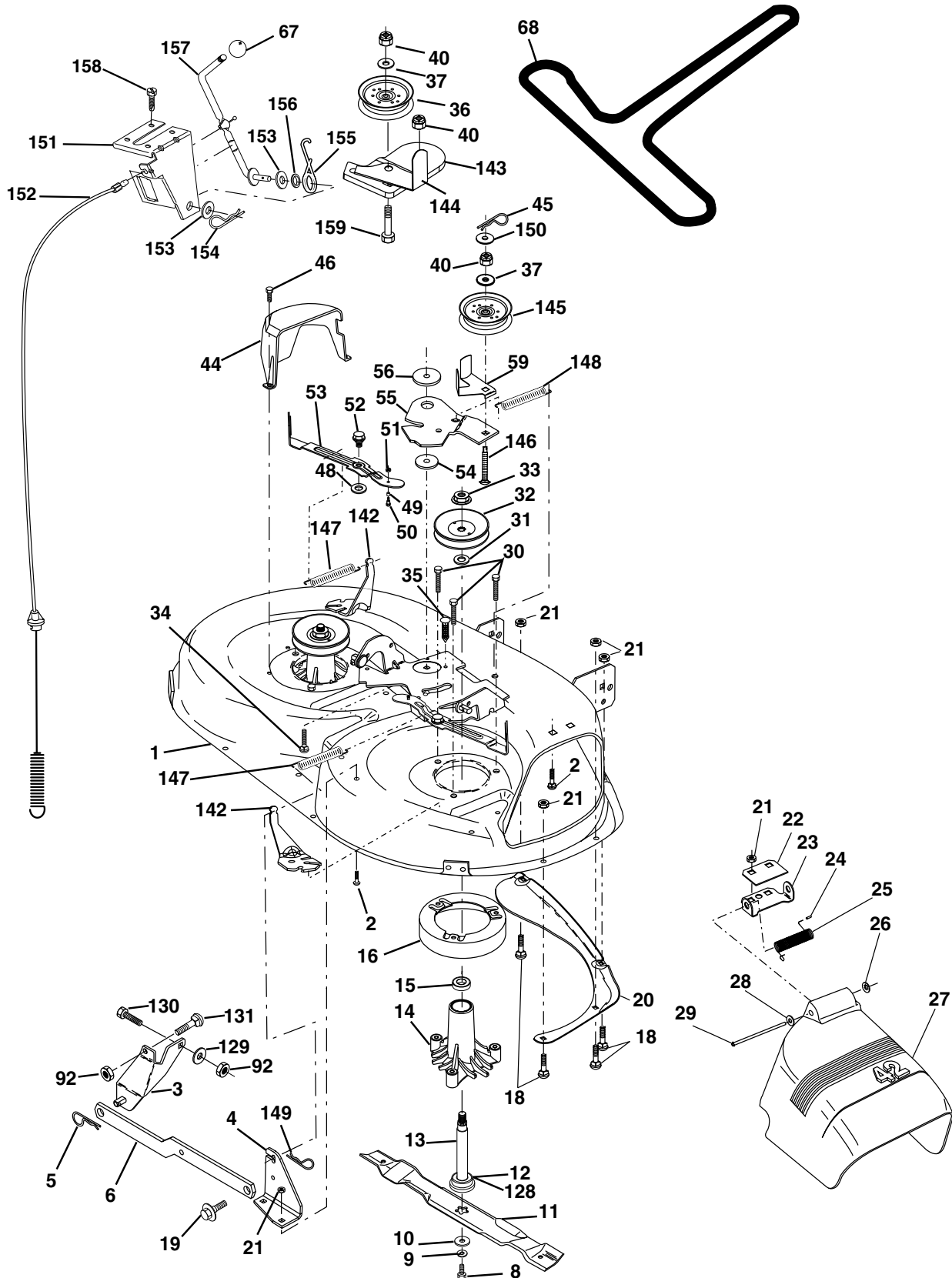


KEY NO.	PART NO.	DESCRIPTION
1	532059192	Cap Valve Tire
2	532065139	Stem Valve
3	532106222	Tire F Ts 15 X 60 - 6 Service
4	532059904	Tube Front (Service Item Only)
5	532138336	Rim Asm 6"front
6	532124957	Fitting Grease (Front Wheel Only)
7	532124959	Bearing Flange (Front Wheel Only)
8	532138337	Rim Asm 8"rear
9	532124635	Tire R Ts 18 x 8.5-8 C Service
10	532124926	Tube Rear (Service Item Only)
11	532175039	Cap Axle Blk 1 50 X 1 00
--	532144334	Sealant, Tire (10 oz. Tube)

NOTE: All component dimensions given in U.S. inches
1 inch = 25.4 mm

REPAIR PARTS

TRACTOR - MODEL NO. LTH130 (HALTH130C), PRODUCT NO. 954 11 00-61
MOWER DECK



REPAIR PARTS

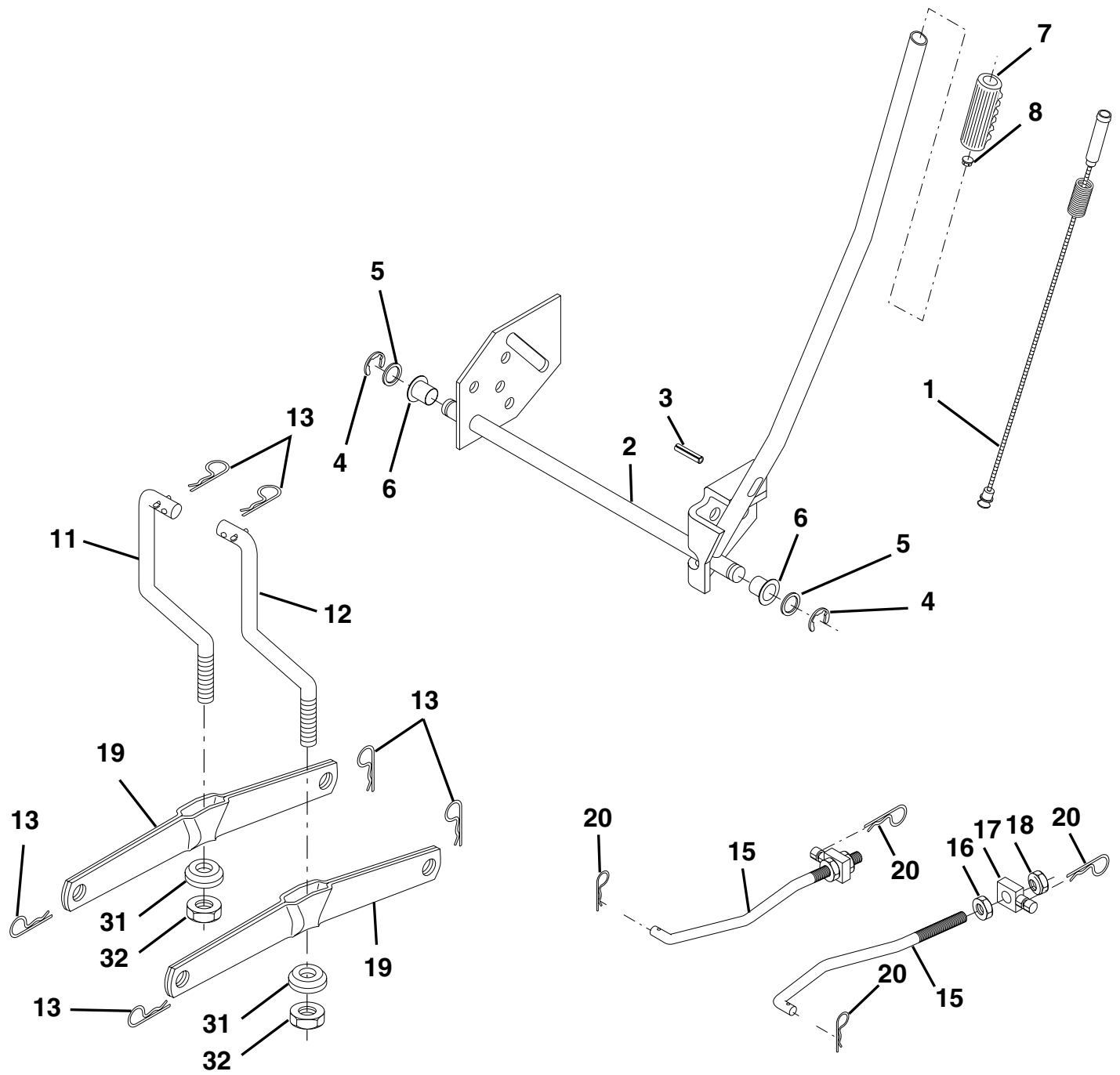
TRACTOR - MODEL NO. LTH130 (HALTH130C), PRODUCT NO. 954 11 00-61 MOWER DECK

KEY NO.	PART NO.	DESCRIPTION	KEY NO.	PART NO.	DESCRIPTION
1	532165892	Deck Asm MWR 42"weldment	50	532131340	Bolt Shldr 10-24 Zinc Gr 5 42"
2	872140506	Bolt Rdhd Sqnk 5/16-18unc X3/4	51	532069180	Nut Lock #10-24 Unc
3	532138017	Bracket Asm Fr Sway Bar 38/42	52	532139888	Bolt Shoulder 5/16-18 Unc Blkz
4	532165460	Bracket Asm Deck 42"sway Bar	53	532131845	Arm Asm Pad Brake
5	532124670	Retainer Spring	54	532133943	Washer Hardened
6	532130832	Arm Suspension Rear	55	532155046	Arm Idler 42"mower LT/YT
8	532850857	Bolt 3/8 - 24 X 1.25 Gr 8	56	532165723	Spacer Retainer Mower
9	810030600	Washer Lock Hvy 3/8	59	532141043	Guard TUV Idler
10	532140296	Washer Hard Blade Mower Vented	67	532106932	Knob Rd 3/8-16 Plstc Thds Blk
11	532134149	Blade 42", Mulching	68	532144959	V-Belt Mower 42"
12	532129895	Bearing Ball #6024 (Mandrel)	92	873800600	Nut Lock Hex W/Ins 3/8-16 Unc
13	532137645	Shaft Asm W/lower Bearing	128	532153390	Washer Felt
14	532128774	Housing Mandrel Vented	129	819131312	Washer 13/32 x 13/16 x 12 Ga.
15	532110485	Bearing Ball Mandrel	130	874780616	Bolt Fin Hex 3/8-16 UNC x 1 Gr. 5
16	532140329	Stripper Mower Vented	131	872140608	Bolt Rdhd Sqnk 3/8-16 x 1
18	872140505	Bolt Rdhd Sqnk 5/16-18 X 5/8	142	532165890	Arm Spring Brake Mower
19	532132827	Bolt Shoulder	143	532157109	Bracket Arm Idler 42"
20	532159770	Baffle Vortex 42	144	532158634	Keeper Belt 42" Clutch Cable
21	873680500	Nut Crownlock 5/16-18 UNC	145	532165888	Pulley Idler Flat
22	532134753	Stiffener Bracket 42"deck	146	532171977	Bolt Carriage Idler
23	532131267	Bracket Deflector Mower 42"	147	532131335	Spring Extension
24	532105304	Cap Sleeve 80x 112 Blk Mower	148	532169022	Spring Return Idler
25	532123713	Spring Torsion Deflector 2 52	149	532165898	Retainer Spring Yellow
26	532110452	Nut Push Phos & Oil	150	819091216	Washer 9/32 x 3/4 x 16 Ga.
27	532171859	Shield Deflector Mower 42" Blk	151	532169670	Bracket Clutch Cable
28	819111016	Washer 11/32 X 5/8 X 16 Ga	152	532169676	Clutch Cable 42"
29	532131491	Rod Hinge 42"6 75 Wlg	153	532169674	Washer Flat 3/8" Type B
30	532157722	Screw Thd Rolling Washer Head	154	532169675	Spring Retainer
31	532129963	Washer Spacer Mower Vented	155	532169671	Spring Retention Lvr Cltch Cab
32	532153535	Pulley Mandrel 42"	156	532169672	Spacer Clutch Cable
33	532137266	Nut 9/16 Toplock Fling Oil Dip	157	532169669	Rod Clutch Cable 3/8"
34	872110614	Bolt Rdhd 3/8-16uncx1-3/4 Gr5	158	817720410	Screw Hex Thd Cut 1/4-20 x 5/8
35	532133835	Fastner Christmas Tree	159	872140614	Bolt Rdhd Sqn 3/8-16 Unc x 1-3/4
36	532131494	Pulley Idler Flat 3 060	--	532130794	Mandrel Asm Service (Includes Key
37	819131316	Washer 13/32 X 13/16 X 16			Nos. 8-10, 12-15, 31 and 33)
40	873680600	Nut Crownlock 3/8-16 UNC	--	532169583	Deck Serv 42" (Standard Deck -
44	532140088	Guard Mandrel LH Black			Order noseroller, and gauge wheel
45	532124788	Spring Retainer 1" Zinc/cad			components separately Key Nos.
46	532137729	Screw Hex Thd Cut 1/4-20x5/8 T			90-95, and 111-120)
48	532133944	Washer Hardened Smaller			
49	532174284	Roller Asm Cam Follower 42"dec			

NOTE: All component dimensions given in U.S. inches
1 inch = 25.4 mm

REPAIR PARTS

TRACTOR - MODEL NO. LTH130 (HALTH130C), PRODUCT NO. 954 11 00-61
MOWER LIFT



REPAIR PARTS

TRACTOR - MODEL NO. LTH130 (HALTH130C), PRODUCT NO. 954 11 00-61
MOWER LIFT

KEY NO.	PART NO.	DESCRIPTION
1	532159460	Wire Asm Inner W/plunger 17 32
2	532159471	Shaft Asm Lift LH Inf Hgt P/L
3	532105767	Pin Groove 1 500 Zinc
4	812000002	E Ring #5133-62
5	819211621	Washer 21/32 X 1 X 21 Ga
6	532120183	Bearing Nylon Blk 629 Id
7	532109413	Grip Handle
8	532124526	Button Plunger Black
11	532139865	Link Lift LH
12	532139866	Link Lift RH
13	532124670	Retainer Spring
15	532173288	Link Front
16	873350800	Nut Jam Hex 1/2-13 Unc
17	532130171	Trunnion Blk Zinc
18	873800800	Nut Lock w/wsh 1/2-13 unc
19	532139868	Arm Suspension Rear
20	532163552	Retainer Spring
31	532169865	Bearing pvt. Lift
32	873540600	Nut Crownlock 3/8-24

NOTE: All component dimensions given in U.S. inches
1 inch = 25.4 mm