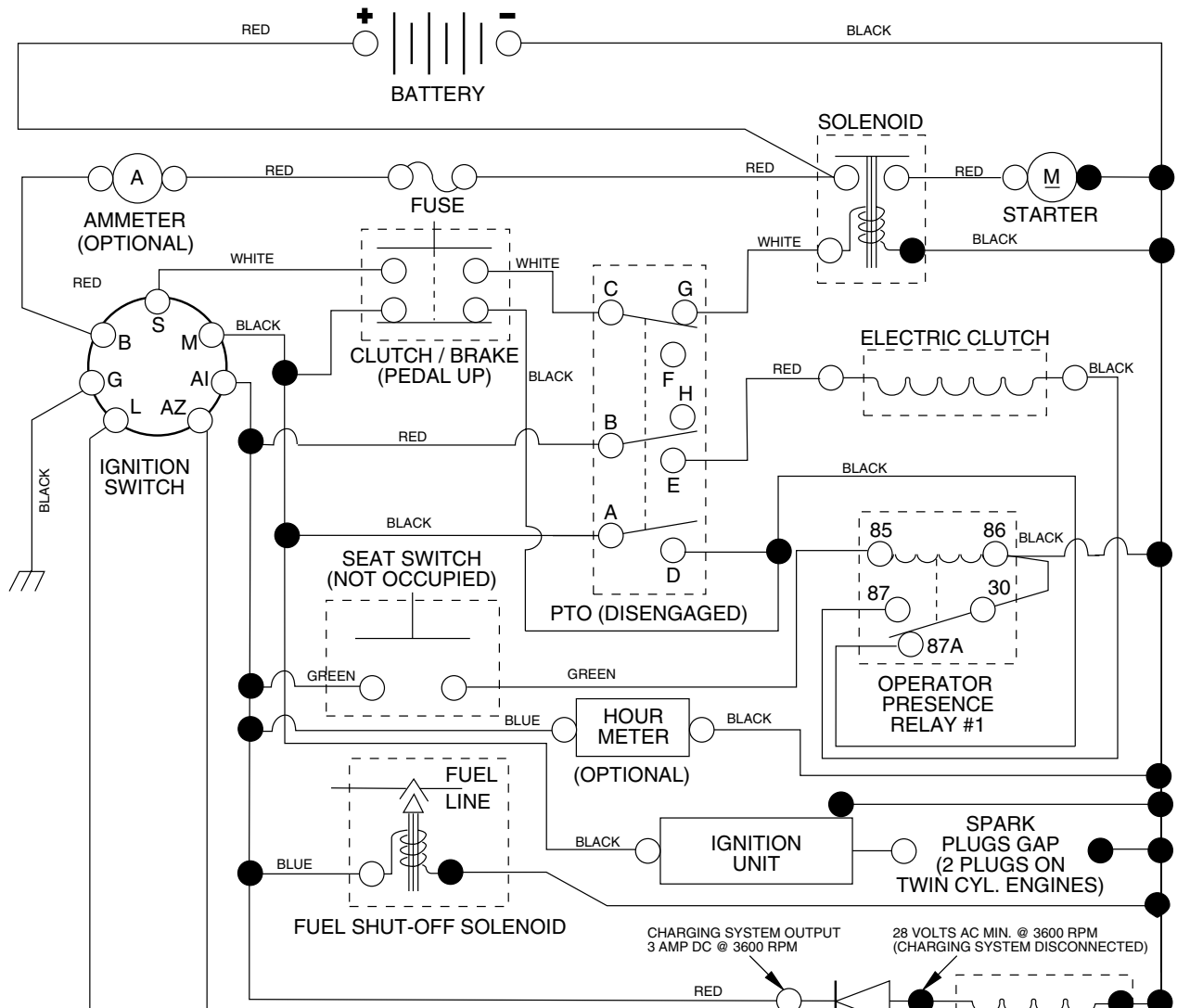


# YTH170

**Spare parts**  
**Ersatzteile**  
**Pièces détachées**  
**Reserve onderdelen**  
**Repuestos**  
**Reservdelar**

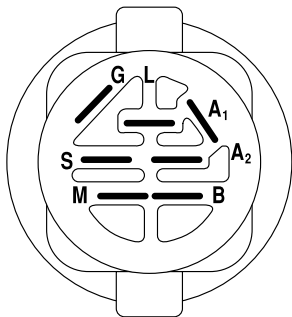
# REPAIR PARTS

## TRACTOR - MODEL NO. YTH170 (HAYTH170E), PRODUCT NO. 954 11 00-71 SCHEMATIC



**NOTE**

YOUR TRACTOR IS EQUIPPED WITH A SPECIAL ALTERNATOR SYSTEM. THE LIGHTS ARE NOT CONNECTED TO THE BATTERY, BUT HAVE THEIR OWN ELECTRICAL SOURCE. BECAUSE OF THIS, THE BRIGHTNESS OF THE LIGHTS WILL CHANGE WITH ENGINE SPEED. AT IDLE THE LIGHTS WILL DIM. AS THE ENGINE IS SPEEDED UP, THE LIGHTS WILL BECOME THEIR BRIGHTEST.

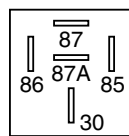


**IGNITION SWITCH**

POSITION	CIRCUIT	"MAKE"
OFF	M+G+A1	NONE
RUN/LIGHT	B+A1	A2+L
RUN	B+A1	NONE
START	B + S + A1	NONE

**WIRING INSULATED CLIPS**

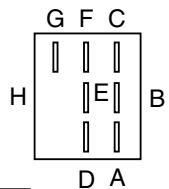
**NOTE:** IF WIRING INSULATED CLIPS WERE REMOVED FOR SERVICING OF UNIT, THEY SHOULD BE REPLACED TO PROPERLY SECURE YOUR WIRING.



**RELAY**

**PTO SWITCH**

POSITION	CIRCUIT
OFF	C + G, B + H
ON	C + F, B + E, A + D

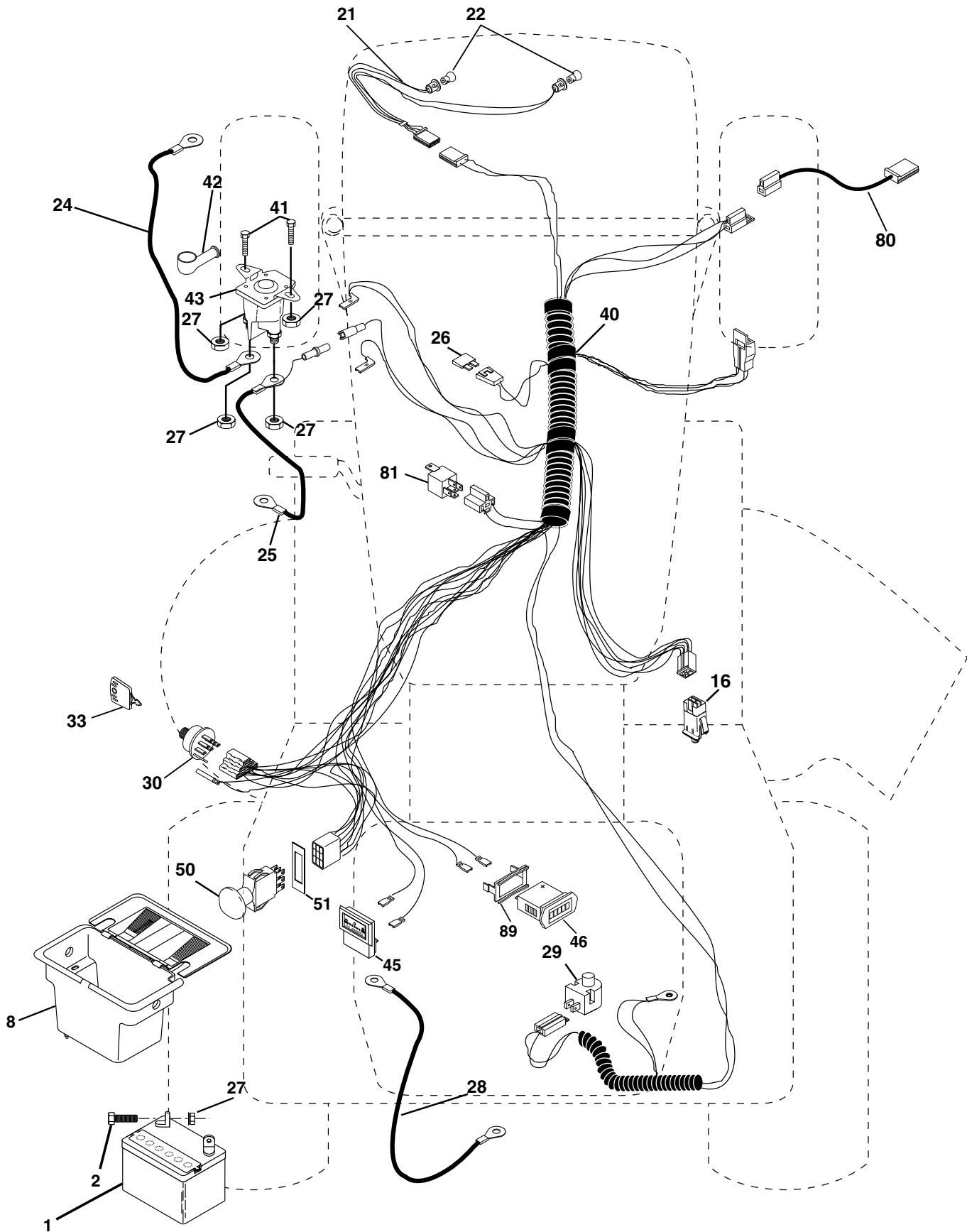


NON-REMOVABLE CONNECTIONS

REMOVABLE CONNECTIONS

# REPAIR PARTS

TRACTOR - MODEL NO. YTH170 (HAYTH170E), PRODUCT NO. 954 11 00-71  
ELECTRICAL



# REPAIR PARTS

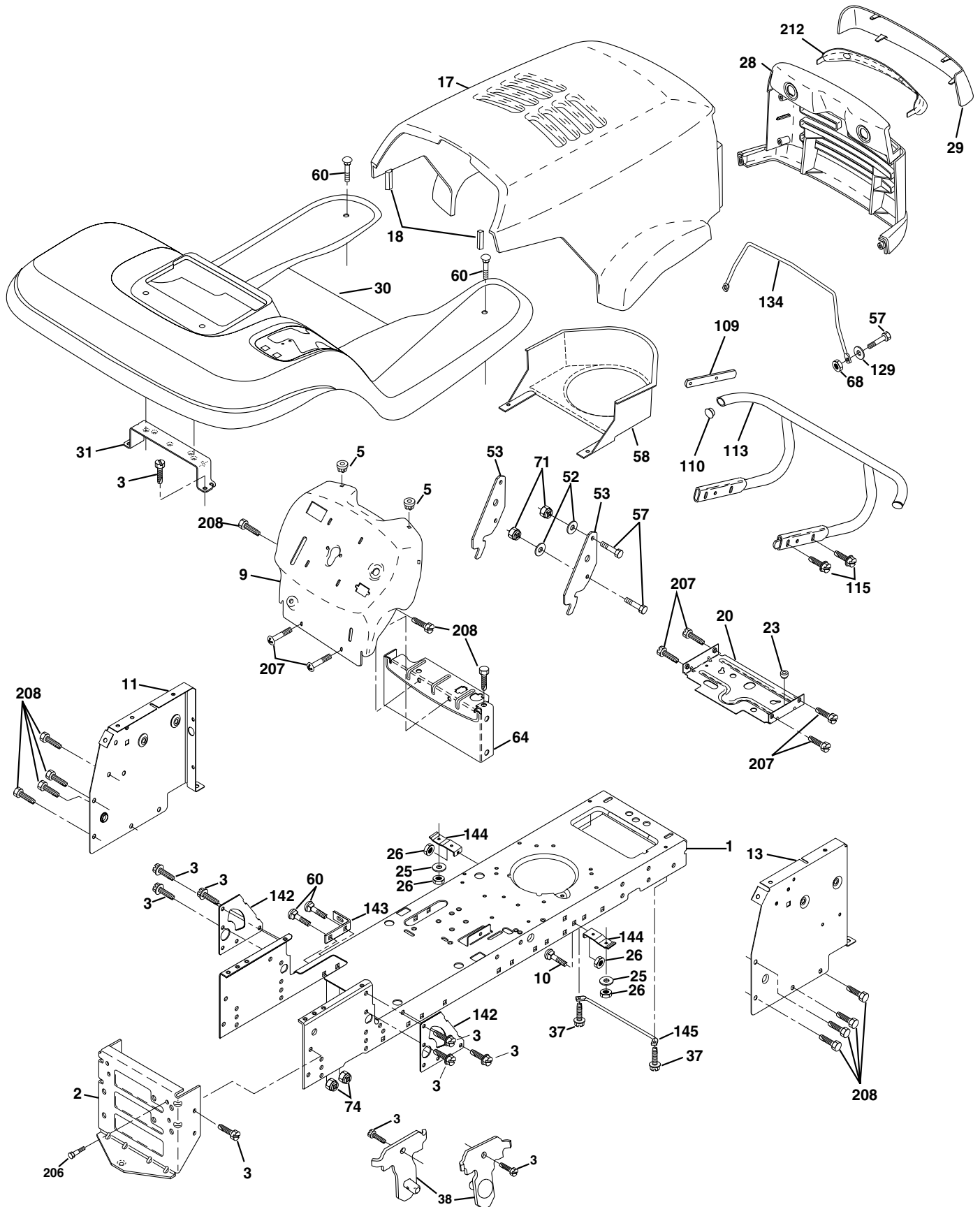
TRACTOR - MODEL NO. YTH170 (HAYTH170E), PRODUCT NO. 954 11 00-71  
ELECTRICAL

KEY NO.	PART NO.	DESCRIPTION
1	532163465	Battery 12 Volt 28 AMP Wet
2	874760412	Bolt Hex Hd 1/4-20unc X 3/4
8	532156417	Case, Battery Mech Hinge
16	532153664	Switch Interlock Push-In
21	532166181	Harness Asm Light W/4152j
22	532004152	Bulb Light #1156
24	532124780	Cable Starter 6 Ga 11" Red
25	532146147	Cable Battery 6 Ga 44" w/16W
26	532166180	Fuse 15 AMP
27	873510400	Nut, Keps Hex 1/4-20 UNC
28	532124773	Cable Ground 6 Ga 12" black
29	532160784	Switch Plunger Normal OP Olive
30	532163968	Switch Ign
33	532140401	Key Ign Molded
40	532170221	Harness Ign.
41	871110408	Bolt Blk Fin Hex 1/4 - 20 x 1/2
42	532131563	Cover Terminal Red
43	532145673	Solenoid
45	532121433	Ammeter, retangular 6 amp
46	532169635	Meter, Hour Snap-In
50	532169417	Switch PTO 3 PDT Black
51	532140405	Ring Retainer PTO
80	532146685	Harness, Clutch EVX
81	532109748	Relay Asm
89	532169639	Bracket Snap-In Hourmeter

**NOTE:** All component dimensions given in U.S. inches.  
1 inch = 25.4 mm.

# REPAIR PARTS

TRACTOR - MODEL NO. YTH170 (HAYTH170E), PRODUCT NO. 954 11 00-71  
CHASSIS AND ENCLOSURES



# REPAIR PARTS

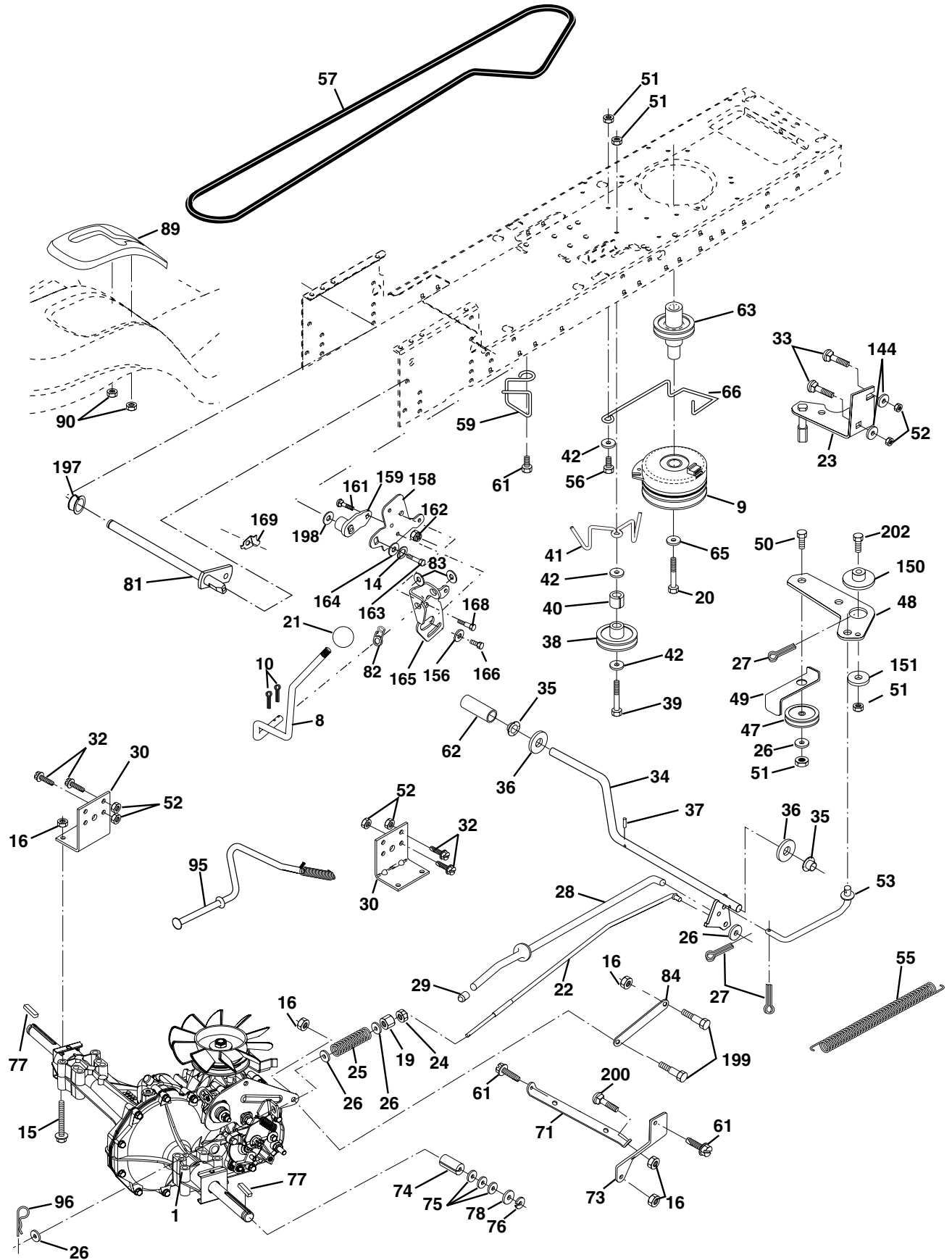
## TRACTOR - MODEL NO. YTH170 (HAYTH170E), PRODUCT NO. 954 11 00-71 CHASSIS AND ENCLOSURES

KEY NO.	PART NO.	DESCRIPTION
1	532169830	Chassis Weldment
2	532169061	Drawbar, Stretch
3	817060612	Screw 3/8-16x3/4
5	532155272	Bumper Hood/Dash
9	532171682	Dash
10	872140608	Bolt Carriage 3/8-16 x 1
11	532155927	Panel Dash Lh
13	532172106	Panel Dash Rh
17	532165378	Hood LT/PL Husqvarna
18	532126938	Bumper Hood
20	532156437	Plate Mtg Battery Fuel Tank Fr
23	532124028	Bushing
25	819131312	Washer 13/32 X 13/16 X 12 Ga
26	873800600	Nut Lock Hex W/Ins 3/8-16 Unc
28	532165379	Grille LT/PL Husqvarna
29	532165380	Lens LT/PL Husqvarna
30	532171854	Fender Footrest STLT Pnt
31	532139976	Bracket Support Fender
37	817490508	Screw Thdrol 6/16-18 x 1/2 TYT
38	532169834	Bracket Asm Pivot Mower Rear
52	819091416	Washer 9/32 x 7/8 x 16 Ga.
53	532150067	Bracket Pnt. Pick off LT/PL Husqvarna
57	874780412	Bolt Hex 1/4-20 x 3/4
58	532150127	Air Duct Engine P/L
60	872140606	Bolt Rdhd Sqnk 3/8-16unc x 3/4
64	532154798	Dash Lower STLT
68	873510400	Nut Keps Hex 1/4-20 UNC
71	873680400	Nut Crownlock 1/4-20 UNC
74	873680600	Nut Crownlock 3/8-16 UNC
109	532170310	Bracket Extension Bumper
110	532143679	Plug Plastic
113	532170311	Bumper Asm.
115	817060620	Screw 3/8-16 x 1-1/4
129	819091016	Washer 9/32 x 5/8 x 16 Ga.
134	532160219	Rod Support Hood LT/PL Husq.
142	532165867	Plate Reinforcement STLT
143	532154966	Bracket Swaybar Chassis
144	532154207	Bracket Pnt Footrest STLT
145	532156524	Rod Pivot Chassis/Hood
206	532170165	Bolt Shoulder 5/16-18
207	817670508	Screw Thdrol 5/16-18 x 1/2
208	817670608	Screw Thdrol 3/8-16 x 1/2
212	<b>532156195</b>	Insert Lens Reflect Husq. Lt.

**NOTE:** All component dimensions given in U.S. inches  
1 inch = 25.4 mm

# REPAIR PARTS

TRACTOR - MODEL NO. YTH170 (HAYTH170E), PRODUCT NO. 954 11 00-71  
DRIVE



# REPAIR PARTS

## TRACTOR - MODEL NO. YTH170 (HAYTH170E), PRODUCT NO. 954 11 00-71 DRIVE

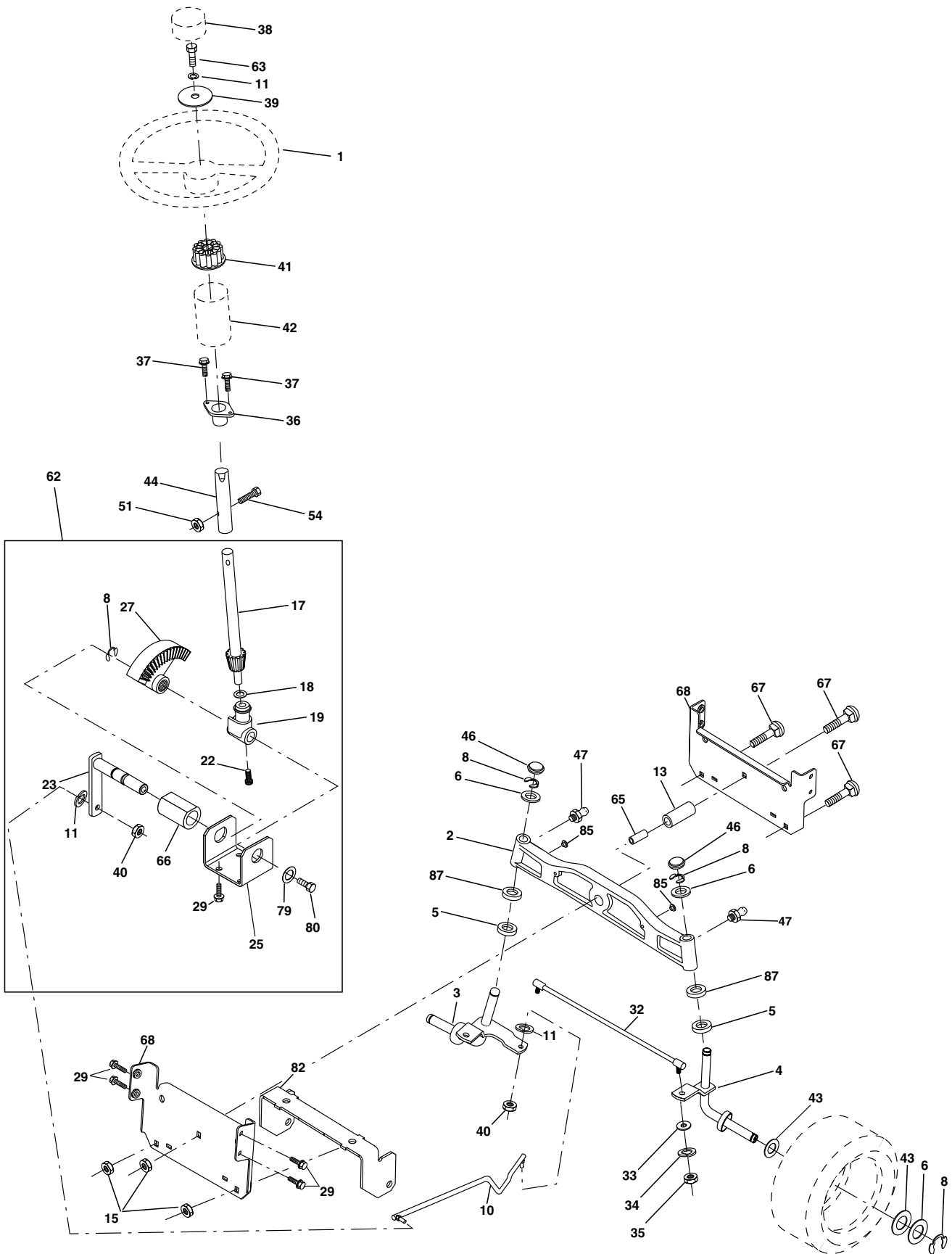
KEY NO.	PART NO.	DESCRIPTION	KEY NO.	PART NO.	DESCRIPTION
1	-----	Transaxle Hydro 314-0510 (Order parts from transaxle manufacturer)	61	817060612	Screw 3/8-16 x 3/4
8	532165866	Rod Shift Adjust Stlt	62	532123533	Cover, Pedal Premium
9	532145028	Clutch Electric	63	532145868	Pulley, Clutch Elect EVX
10	876020416	Pin Cotter 1/8 x 1 CAD	65	810040700	Washer Lock Hvy HLCL Spr 7/16
14	810040400	Washer Lock Hvy Helical	66	532154778	Keeper Belt Engine
15	874490544	Bolt Hex Flghd 5/16-18 x Gr. 5	71	532169183	Strap Torque Lh
16	873800500	Nut Lock Hex W/Ins. 5/16-18 Unc P	73	532169182	Strap Torque Rh
19	873800600	Nut Lock Hex W/Ins 3/8-16 Unc	74	<b>532137057</b>	Spacer, Axle
20	532150280	Bolt, Hex 7/16-20 x 4-1/4 Ga. 5	75	532121749	Washer 25/32 x 1-1/4 x 16 Ga.
21	532140845	Knob Deluxe 1/2-13 UNC BLK/BLK	76	812000001	E-Ring
22	532169498	Rod, Brake Hydro	77	532123583	Key, Square
23	532171258	Bracket Asm Anti-Rot	78	532121748	Washer 25/32 x 1-5/8 x 16 Ga
24	873350600	Nut Hex Jam 3/8-16 UNC	81	532165596	Shaft Asm Cross Tapered
25	532106888	Spring, Brake Rod	82	532165711	Spring Torsion T/A
26	819131316	Washer	83	819171216	Washer 17/32 x 3/4 x 16 Ga.
27	876020412	Pin Cotter 1/8 x 3/4 CAD.	84	532169594	Link Transaxle
28	532145204	Rod, Parking Brake	89	532166510	Console, Hydro Shift Stlt
29	532071673	Cap, Parking Brake	90	532124346	Nut Self-Thd Wsh-Hd 1/4 Zinc
30	532169592	Bracket, Transaxle	95	532170201	Control Asm. Bypass Hydro
32	874760512	Bolt Hex Hd 5/16-18 Unc x 3/4	96	532124788	Retainer Spring 1" Zinc/Cad
33	872140506	Bolt Carriage 5/16-18 UNC x 3/4	144	819111016	Washer 11/32 x 5/8 x 16 Ga.
34	532155071	Shaft, Foot Pedal	150	532165850	Bushing Bellcrank
35	532120183	Bearing, Nylon	151	819133210	Washer 13/32 x 2 x 10 Ga.
36	819211616	Washer	156	532166002	Washer Srrted 5/16ID x 1.125
37	532124963	Pin, Roll	158	532165589	Bracket Shift Mount
38	532131494	Pulley, Idler, Flat	159	532165494	Hub Tapped Flange Shift Lt
39	<b>874760644</b>	Bolt	161	872140406	BoltRdhd Sqnk 1/4-20 x 3/4 Gr 5
40	532124965	Spacer Split	162	873680400	Nut Crownlock 1/4-20 Unc
41	532165838	Keeper, Belt Idler	163	874780416	Bolt Hex Fin 1/4-20 Unc x 1 Gr 5
42	819131312	Washer 13/32 x 13/16 x 12 Ga	164	819091010	Washer 5/8 x .281 x 10 Ga
47	532127783	Pulley, Idler, V-Groove Plastic	165	532165623	Bracket Pivot Lever
48	532154407	Bellcrank Clutch Grnd	166	532166880	Screw 5/16-18 x .561
49	532123205	Retainer, Belt Style Spring	168	532165492	Bolt Shoulder 5/16-18 x .561
50	874760624	Bolt	169	532165580	Plate Fastening Cross Shf. STLTL/CRD
51	873680600	Nut	197	532169613	Nyliner Snap-In 5/8" ID
52	873680500	Nut Crown Lock 5/16-18	198	532169593	Washer Nyl 7/8 ID x .105
53	532105710	Link, Clutch	199	532169612	Bolt Shoulder 5/16-18 UNC
55	532105709	Spring, Return, Clutch	200	<b>872140508</b>	Bolt Rdhd Sqnk 5/16-18 UNC x 1
56	874760620	Bolt, Fin Hex 3/8-16 UNC x 1 1/4	202	872110612	Bolt Carr Sh 3/8-16 x 1-1/2 Gr. 5
57	532140294	V-Belt, Ground Drive			
59	532169691	Keeper, Center Span			

**NOTE:** All component dimensions give in U.S. inches.  
1 inch = 25.4 mm



# REPAIR PARTS

TRACTOR - MODEL NO. YTH170 (HAYTH170E), PRODUCT NO. 954 11 00-71  
STEERING ASSEMBLY



# REPAIR PARTS

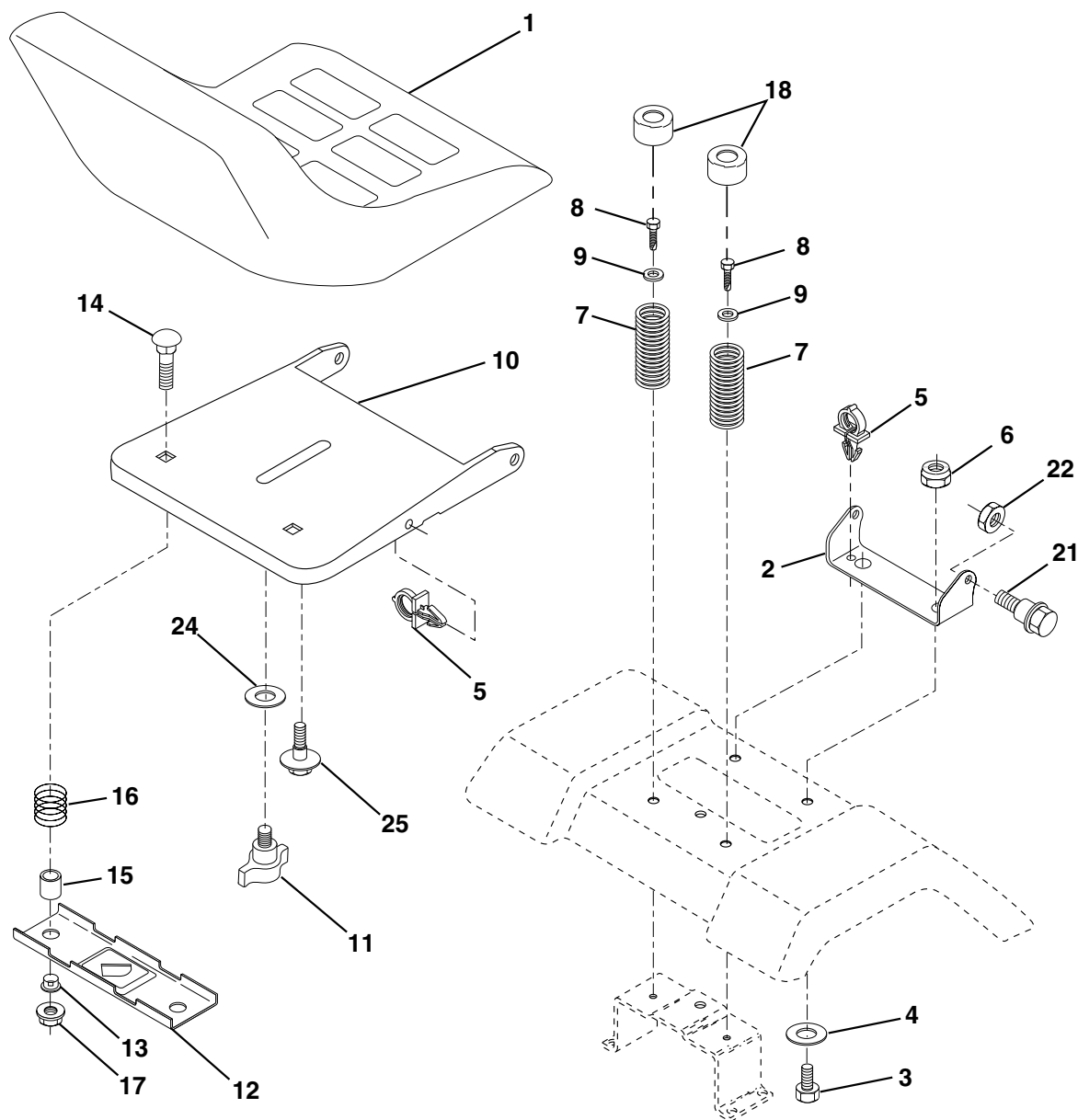
## TRACTOR - MODEL NO. YTH170 (HAYTH170E), PRODUCT NO. 954 11 00-71 STEERING ASSEMBLY

KEY NO.	PART NO.	DESCRIPTION
1	532124415	Wheel Steering
2	532165854	Axle Iron Casting
3	532169840	Spindle Asm LH
4	532169839	Spindle Asm RH
5	532124931	Bearing Race Thrust Harden
6	532121748	Washer 25/32 X 1-5/8 X 16 Ga
8	812000029	Ring Klip #t5304-75
10	532169832	Link Drag
11	810040600	Washer Lock Hvy Hlcl Spr 3/8
13	532136518	Spacer Brg Axle Front
15	532145212	Nut Hexflange Lock
17	532156546	Shaft Asm Strg
18	532057079	Washer Thrust 515x 750x 033
19	532160395	Support Shaft
22	532165857	Screw Hex Wsh Hd Tprx
23	532165851	Shaft Asm Pittman
25	532154406	Bracket Steering
27	532136874	Gear Sector
29	817060612	Screw 3/8-16x3/4
32	532171888	Rod Asm Tie Ball Adj.
33	819111216	Washer 11/32 x 3/4 x 16 Ga.
34	810040500	Washer Lock Hvy Hlcl Spr 5/16
35	873540500	Crownlock Nut 5/16-24 UNF
36	532155099	Bushing Strg
37	532152927	Screw
38	532124416	Insert Cap Strg Wh Au
39	819133812	Washer 13/32 X 2-3/8 X 12 Ga
40	532124701	Lock nut
41	532100711	Adaptor Wheel Strg
42	532169634	Boot Steering Shaft
43	532121749	Washer 25/32 X 1 1/4 X 16 Ga
44	532153720	Extension Steering Shaft LR/LT
46	532121232	Cap Spindle Fr Top Blk
47	532124836	Fitting Grease
51	873800500	Nut Lock Hex w/Ins 5/16-18
54	874780520	Bolt Fin Hex 5/16-18 Unc x 1-1/4
62	532167902	Kit, Steering Assembly Svc
63	874780616	Bolt Fin Hex 3/8-16unc x 1 Gr. 5
65	532160367	Spacer Brace Axle
66	532154404	Bearing Arm Pittman
67	872140618	Bolt Rdhd sq 3/8-16 UNC x 2-1/4
68	532169827	Brace, Axle
79	819132012	Washer 13/32 x 11/4 x 12 Ga
80	874950612	Bolt Hex Nylon 3/8-16 x 3/4
82	532169835	Bracket Susp Chassis Front
85	532133835	Fastener Christmas Tree
87	<b>532173966</b>	Washer Flat .781 x 1-1/2 x .14

**NOTE:** All component dimensions given in U.S. inches.  
1 inch = 25.4 mm.

# REPAIR PARTS

## TRACTOR - MODEL NO. YTH170 (HAYTH170E), PRODUCT NO. 954 11 00-71 SEAT ASSEMBLY



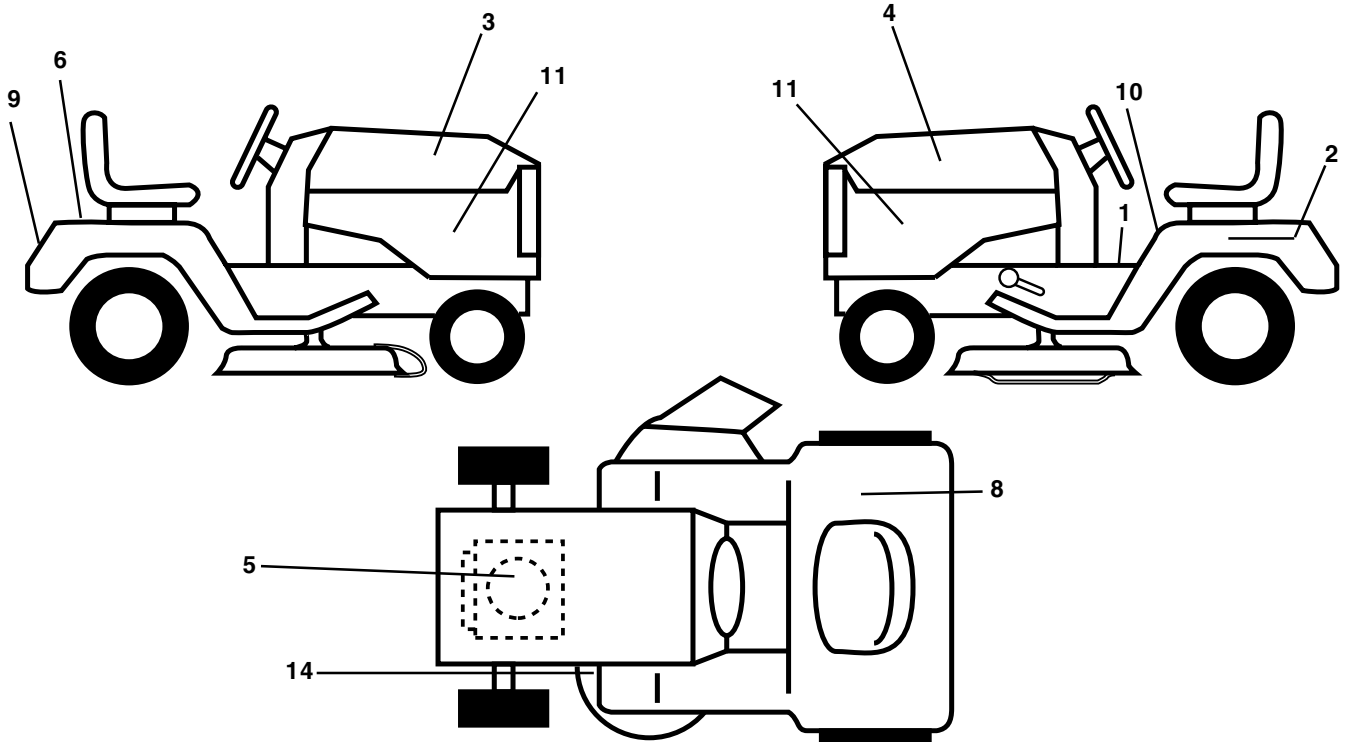
KEY NO.	PART NO.	DESCRIPTION
1	532140839	Seat
2	532140551	Bracket Pivot Seat 8 720
3	871110616	Bolt Fin Hex 3/8-16unc X 1
4	819131610	Washer 13/32 X 1 X 10 Ga
5	532145006	Clip Push-In
6	873800600	Nut Hex w/Ins. 3/8-16 Unc
7	532124181	Spring Seat Cprsn 2 250 Blk Zi
8	817000616	Screw 3/8-16 X 1-1/2
9	819131614	Washer 13/32 X 1 X 14 Ga.
10	532155925	Pan Seat
11	532166369	Knob Seat
12	532121246	Bracket Mounting Switch

KEY NO.	PART NO.	DESCRIPTION
13	532121248	Bushing Snap Blk Nyl 50 Id
14	872050412	Bolt Rdhd Sqnk 1/4-20x1-1/2
15	532134300	Spacer Split 28x 96 Yel Zinc
16	532121250	Spring Cprsn 1 27 Blk Pnt
17	532123976	Nut Lock 1/4 Lge Flg Gr 5 Zinc
18	532124238	Cap Spring Seat
21	532171852	Bolt Shoulder 5/16-18 Unc
22	873800500	Nut Hex Lock W/Ins 5/16-18
24	819171912	Washer 17/32 X 1-3/16 X 12 Ga.
25	532127018	Bolt Shoulder 5/16-18 X 62

**NOTE:** All component dimensions given in U.S. inches.  
1 inch = 25.4 mm

# REPAIR PARTS

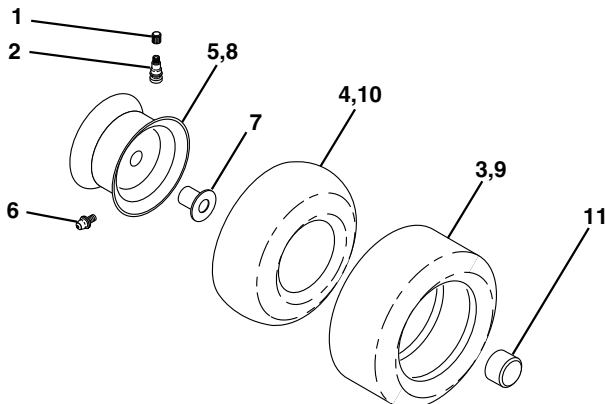
TRACTOR - MODEL NO. YTH170 (HAYTH170E), PRODUCT NO. 954 11 00-71  
DECALS



KEY NO.	PART NO.	DESCRIPTION
1	532156811	Decal Oper. Step Thru English
2	532145005	Decal Battery
3	532162849	Decal Hood RH
4	532162851	Decal Hood LH
5	532170856	Decal HP Engine
6	532168869	Decal Tick Mark Aust
8	532124433	Decal 80 DBA
9	532150617	Decal Fender Husq
10	532157002	Decal Fender Danger English

KEY NO.	PART NO.	DESCRIPTION
11	532159713	Decal Pnl Side B&S
12	532157007	Decal Fender Auto Husq Radius
14	532160396	Decal V-Belt Schematic
--	532171284	Pad Footrest LH STLT
--	532169210	Decal By Pass Lt Hydro
--	532171285	Pad Footrest RH STLT
--	532138311	Decal Handle Lft Height Adjust
--	<b>532175083</b>	Manual Owner's (English)

## WHEELS & TIRES

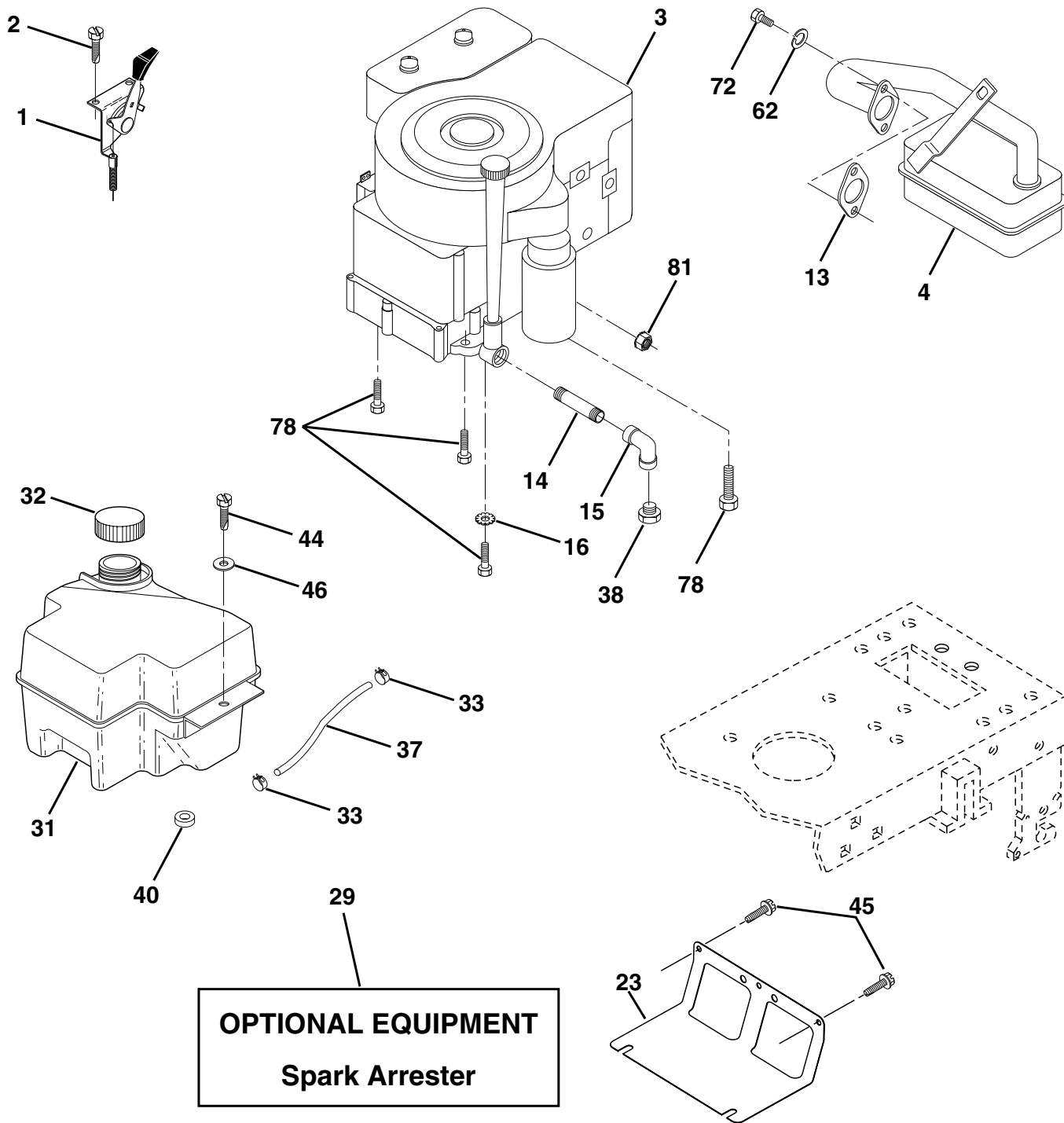


KEY NO.	PART NO.	DESCRIPTION
1	532059192	Cap Valve Tire
2	532065139	Stem Valve
3	532106222	Tire F Ts 15 X 6 0 - 6 Service
4	532059904	Tube Front (Service Item Only)
5	532138336	Rim Asm 6"front Silver Service
6	532124957	Fitting Grease (Front Wheel Only)
7	532124959	Bearing Flange (Front Wheel Only)
8	532138337	Rim Asm 8"rear Silver Service
9	532122082	Tire R Ts 20x10-8 C Service
10	532124926	Tube Rear (Service Item Only)
11	<b>532175039</b>	Cap Axle Blk 1 50 X 1 00
--	532144334	Sealant, Tire ( 10 oz. Tube)

**NOTE:** All component dimensions given in U.S. inches  
1 inch = 25.4 mm

# REPAIR PARTS

TRACTOR - MODEL NO. YTH170 (HAYTH170E), PRODUCT NO. 954 11 00-71  
ENGINE



# REPAIR PARTS

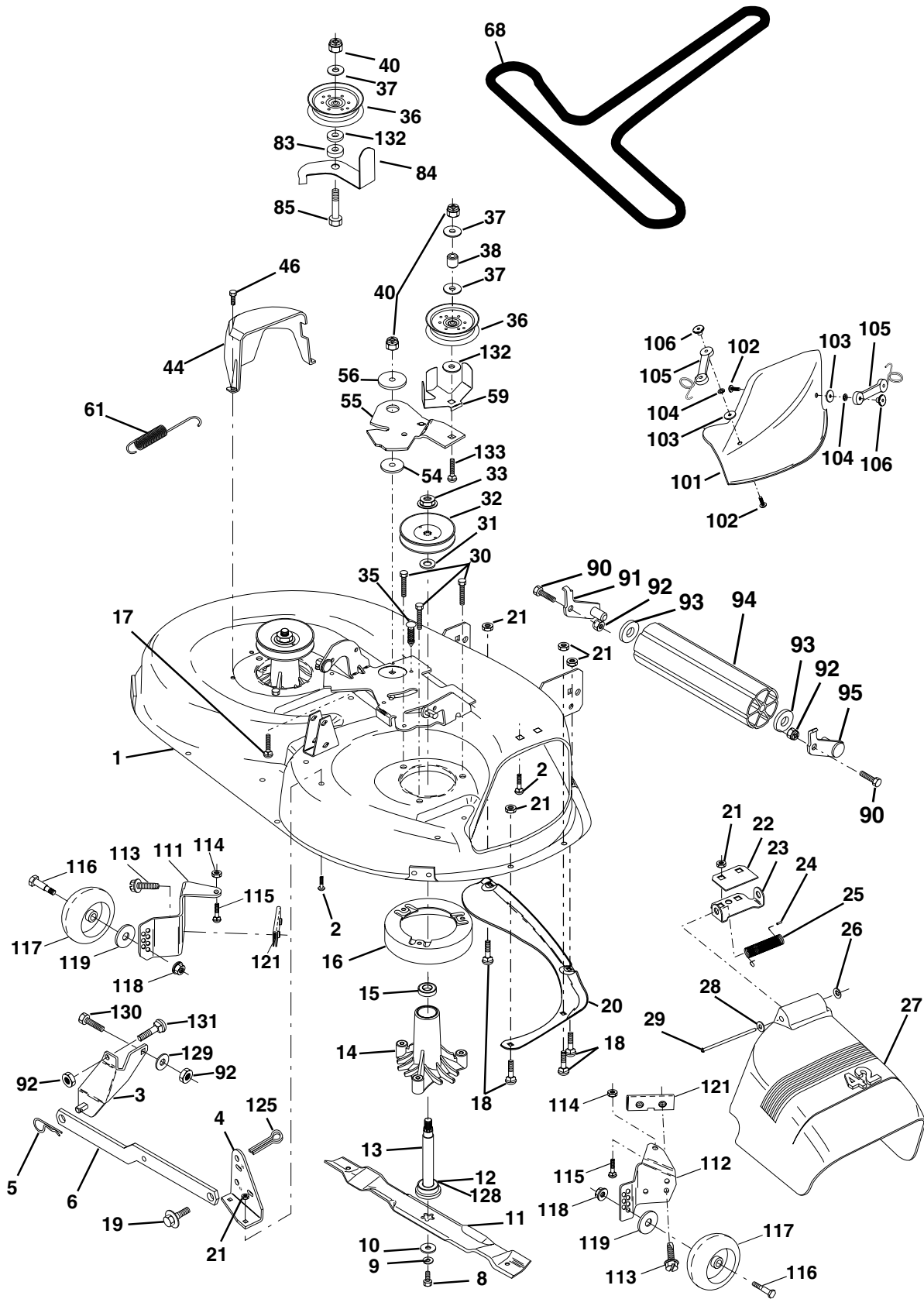
TRACTOR - MODEL NO. YTH170 (HAYTH170E), PRODUCT NO. 954 11 00-71  
ENGINE

KEY NO.	PART NO.	DESCRIPTION
1	532140310	Control Th/ch 23.5 LH. Flag
2	817720410	Screw Hex Thd Cut 1/4-20x5/8 T
3	-----	Engine B&S Model No. 311777 (Order parts from engine manufacturer)
4	532137352	Muffler Exh LT B&S
13	532165291	Gasket Eng 1.313 ID Tin Plated
14	813280324	Nipple Pipe 3/8 Npt X 3
15	813200300	Elbow Std 90 Degree 3/8-18 Npt
16	811050600	Washer Lock Ext Tooth 3/8
23	532169837	Shield Brn/Dbr Guard
29	532137180	Kit Spark Arrestor (Flat Scrn)
31	532161911	Tank Fuel 2.0 Gal Nat W/Cap
32	532140527	Cap Asm Fuel W/sym Vented
33	532123487	Clamp Hose Black
37	532137040	Line Fuel 20"
38	-----	Plug Oil Drain (Order From Engine Manufacturer)
40	532124028	Bushing
44	<b>817670412</b>	Screw Hexwsh Thdrol 1/4-20 x 3/4
45	817000612	Screw Hexwsh Thdr 3/8-16 x 3/4
46	819091416	Washer 9/32 x 7/8 x 16 Ga.
62	810040500	Washer Lock Hvy Hlcl Spr 5/16
72	871070512	Screw Hex Hd Cap 5/16-18 x 3/4
78	817060620	Screw 3/8-16 x 1-1/4
81	873510400	Nut Keps Hex 1/4-20 UNC

**NOTE:** All component dimensions given in U.S. inches  
1 inch = 25.4 mm

# REPAIR PARTS

TRACTOR - MODEL NO. YTH170 (HAYTH170E), PRODUCT NO. 954 11 00-71  
MOWER DECK



# REPAIR PARTS

## TRACTOR - MODEL NO. YTH170 (HAYTH170E), PRODUCT NO. 954 11 00-71 MOWER DECK

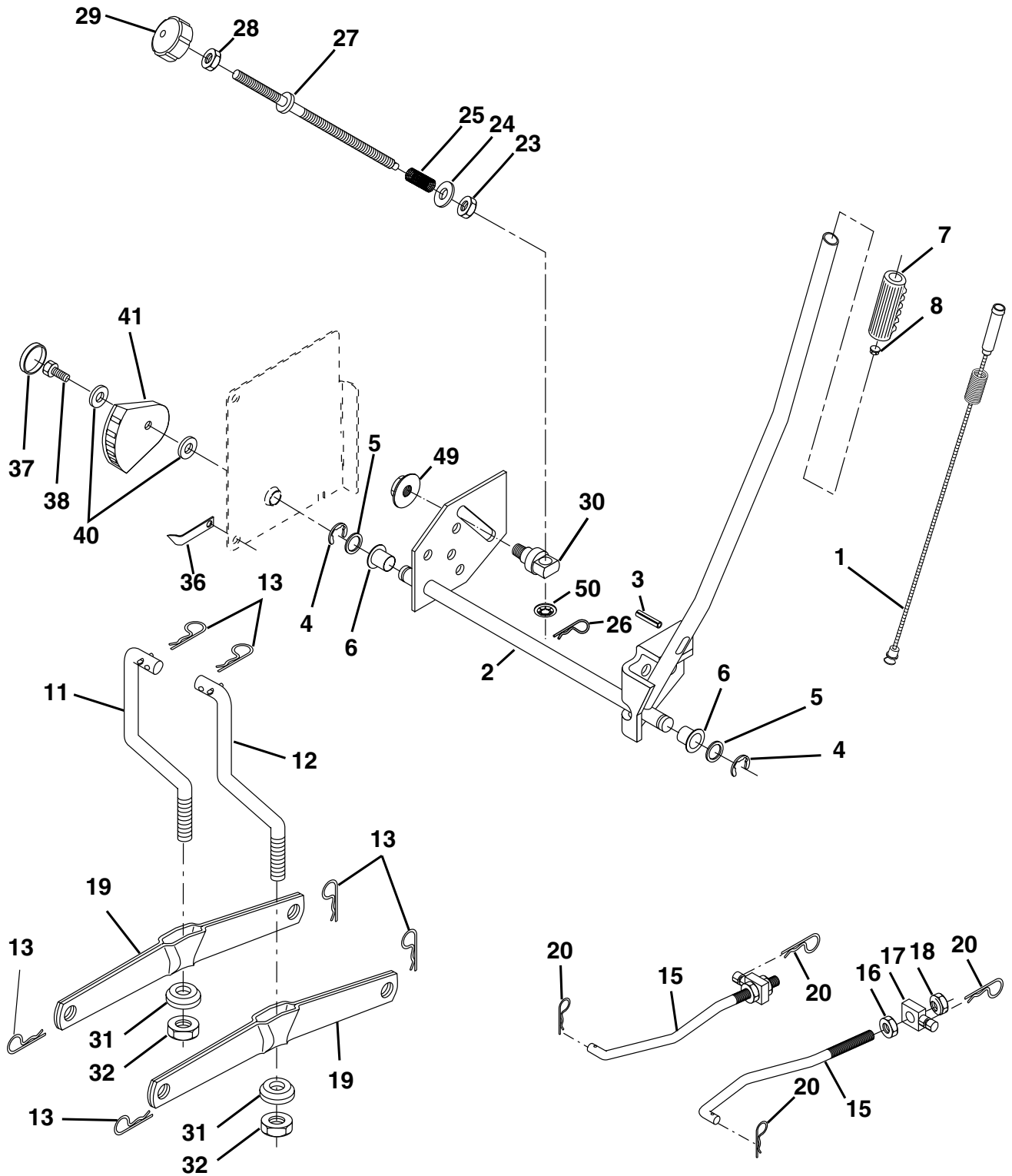
KEY NO.	PART NO.	DESCRIPTION	KEY NO.	PART NO.	DESCRIPTION
1	532164961	Housing Asm Mower 42"	68	532144200	V-Belt Mower
2	872140506	Bolt Rdhd Sqnk 5/16-18unc X3/4	83	532120958	Washer Sintered
3	532138017	Bracket Asm Fr Sway Bar 38/42	84	532156084	Keeper Belt Idler
4	532138440	Bracket Asm Deck 42"sway Bar	85	872140620	Bolt Carriage 3/8-16 x 2-1/2 Gr.5
5	532124670	Retainer Spring	90	874760616	Bolt Fin Hex 3/8-16unc X 1
6	532130832	Arm Suspension Rear	91	532132274	Bracket Asm Noseroller LH
8	532850857	Bolt 3/8-24x1 25 Gr8 Patched	92	873800600	Nut Lock Hex w/ins. 3/8-16 UNC
9	810030600	Washer Lock Hvy 3/8 Unplated	93	819171416	Washer 17/32 X 7/8 X 16 Ga
10	532140296	Washer Hard Blade Mower Vented	94	532132264	Roller Nose 38 & 42
11	532134149	Blade Mower Mulching 42"	95	532132273	Bracket Asm Noseroller RH
12	532129895	Bearing Ball #6204 (Mandrel)	101	532136420	Cover Mulching 42" Blk
13	532137645	Shaft Asm W/lower Bearing	102	<b>871081010</b>	Screw
14	532128774	Housing Mandrel Vented(machd)	103	819061216	Washer #10
15	532110485	Bearing Ball Mandrel	104	810071000	Washer Lock #10
16	532140329	Stripper Round Mower	105	532160793	Latch Asm Bagger
17	872110618	Bolt Rdhd Sqnk 3/8-16 X 2-1/4	106	532125004	Nut Weld .327/.304 #10-24
18	872140505	Bolt Carr 5/16-18 X 5/8	111	532155197	Bracket Wheel Gauge Lh 42" Deck
19	532132827	Bolt Shoulder	112	532155198	Bracket Gauge Wheel Rh 42" Deck
20	532159770	Baffle Vortex 42	113	<b>817060514</b>	Screw Tapping 5/16-18 unc
21	873680500	Nut Crown Lock 5/16-18	114	873510500	Nut Keps 5/16 - 18 UNC
22	532134753	Stiffener Bracket 42"deck	115	872110504	Bolt Carriage 5/16 - Unc x 1/2
23	532131267	Bracket Deflector Mower 42"	116	532137644	Bolt Shld
24	532105304	Cap Sleeve 80x 112 Blk Mower	117	532133957	Wheel Gauge Donut
25	532123713	Spring Torsion Deflector 2 52	118	873930600	Nut Centerlock 3/8 - 16 UNC
26	532110452	Nut Push Phos & Oil	119	819121414	Washer 3/8 x 7/8 x 14 Ga.
27	532171859	Shield Deflector Mower 42" Blk	121	532143723	Bracket
28	819111016	Washer 11/32 X 5/8 X 16 Ga	125	876020816	Cotter Pin
29	532131491	Rod Hinge 42"6 75 Wlg	128	532153390	Washer Felt
30	532157722	Screw Thdrol Washer Head	129	819131312	Washer 13/32 x 13/16 x 12 Ga.
31	532129963	Washer Spacer Mower Vented	130	874780616	Bolt Fin Hex 3/8-16unc x 1 Gr. 5
32	532153535	Pulley Mandrel 42"	131	872140608	Bolt Rdhd Sqnk 3/8-16 UNC
33	532137266	Nut 9/16top Lock Flng Cntr	132	819132203	Washer 13/32 x 1-3/8 x 3 Ga.
35	532133835	Fastner Christmas Tree	133	872110622	Bolt RDHD 3/8-16 UNC x 2-3/4 Gr.5
36	532131494	Pulley Idler Flat 3 060	--	532164965	Deck Serv 42" Elec Vent (Standard Deck - Order Nose Roller, Gauge Wheel and Mulcher Plate components separately Key Nos. 90-95, 101-106 and 111-121)
37	819131316	Washer 13/32 X 13/16 X 16 Ga	--	532130794	Mandrel Assembly (Includes Key Numbers 8-10, 12-15, 31 and 33)
38	532132823	Spacer Spring Stop Idler			
40	873680600	Nut Lock 3/8-16 Unc			
44	532140088	Guard Mandrel LH Black			
46	532137729	Screw Thdrol 1/4-20x5/8			
54	532133943	Washer Hardened			
55	532140084	Arm Idler 42"mower LT/YT			
56	532165723	Spacer Retainer Mower			
59	532141043	Guard, Belt			
61	532131950	Spring Ext. Elect			

**NOTE:** All component dimensions given in U.S. inches  
1 inch = 25.4 mm



# REPAIR PARTS

TRACTOR - MODEL NO. YTH170 (HAYTH170E), PRODUCT NO. 954 11 00-71  
MOWER LIFT



# REPAIR PARTS

TRACTOR - MODEL NO. YTH170 (HAYTH170E), PRODUCT NO. 954 11 00-71  
MOWER LIFT

KEY NO.	PART NO.	DESCRIPTION
1	532159460	Wire Asm Inner W/plunger
2	532159471	Shaft Asm Lift RH w/Inf
3	532105767	Pin Groove 1 500 Zinc
4	812000002	E Ring #5133-62
5	819211621	Washer 21/32 X 1 X 21 Ga
6	532120183	Bearing Nylon Blk 629 Id
7	532125631	Grip Handle Fluted Blk
8	532124526	Button Plunger Black
11	532139865	Link Lift LH Fixed Length
12	532139866	Link Lift RH Fixed Length
13	532124670	Retainer Spring
15	<b>532173288</b>	Link Front
16	873350800	Nut Jam Hex 1/2-13 Unc
17	532130171	Trunnion Blk Zinc
18	873800800	Nut Lock w/Wsh 1/2-13unc
19	532139868	Arm Suspension Rear
20	532163552	Retainer Spring
23	532110807	Nut Special
24	819131016	Washer 13/32 X 5/8 X 16 Ga
25	532124874	Spring 2-1/8"
26	532169484	Retainer Clip
27	532126971	Rod Adj Lift Zinc 7.49 Wrk Lg
28	873350600	Nut Hex Jam 3/8-16 Unc
29	532138057	Knob Inf 3/8-16 Unc Blk W/sym
30	532150233	Trunnion Infin Height
31	<b>532169865</b>	Bearing Pvt Lift
32	873540600	Nut Crownlock 3/8 - 24
36	532155097	Pointer Height Indicator
37	532123935	Plug Hole Blk 1.485/1.515 Dia.
38	817060516	Screw 5/16-18 x 1
40	819112410	Washer 11/32 x 1-1/2 10 Ga.
41	532155098	Indicator Height STLT
49	532145212	Nut Hex Flange Lock
50	532110452	Nut Phos & Oil

**NOTE:** All component dimensions given in U.S. inches  
1 inch = 25.4 mm