

# LT125

**Spare parts**

**Ersatzteile**

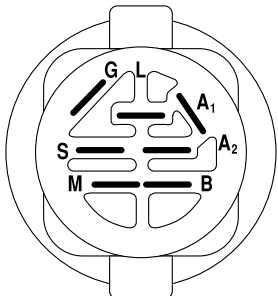
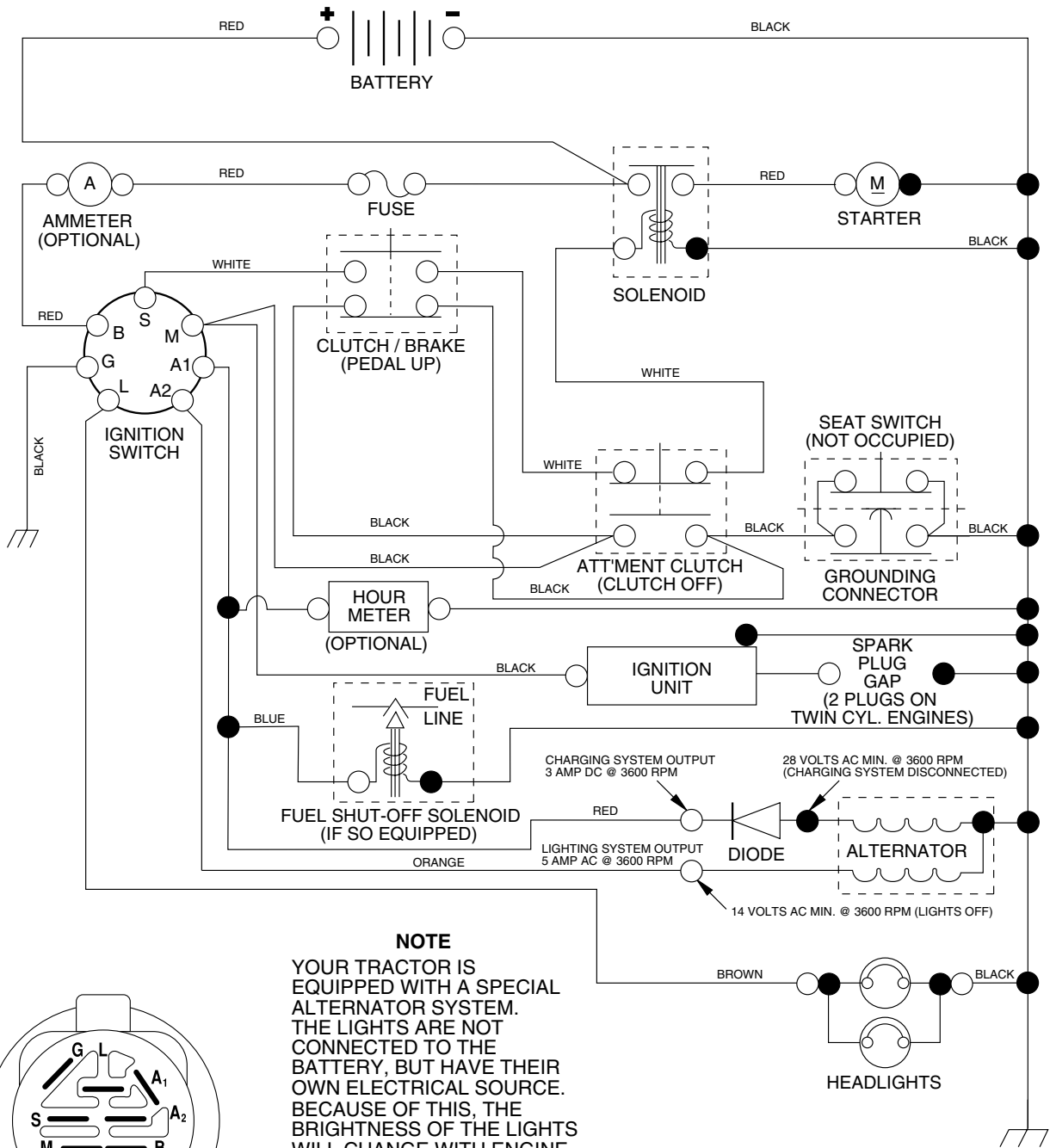
**Pièces détachées**

**Reserve onderdelen**

**Repuestos**

**Reservdelar**

# TRACTOR - MODEL NO. LT125 (HAU12536B), PRODUCT NO. 954 17 00-94 SCHEMATIC



**IGNITION SWITCH**

POSITION	CIRCUIT	"MAKE"
OFF	M+G+A1	NONE
RUN/LIGHT	B+A1	A2+L
RUN	B+A1	NONE
START	B + S + A1	NONE

**NOTE**

YOUR TRACTOR IS EQUIPPED WITH A SPECIAL ALTERNATOR SYSTEM. THE LIGHTS ARE NOT CONNECTED TO THE BATTERY, BUT HAVE THEIR OWN ELECTRICAL SOURCE. BECAUSE OF THIS, THE BRIGHTNESS OF THE LIGHTS WILL CHANGE WITH ENGINE SPEED. AT IDLE THE LIGHTS WILL DIM. AS THE ENGINE IS SPEEDED UP, THE LIGHTS WILL BECOME THEIR BRIGHTEST.

NON-REMOVABLE CONNECTIONS

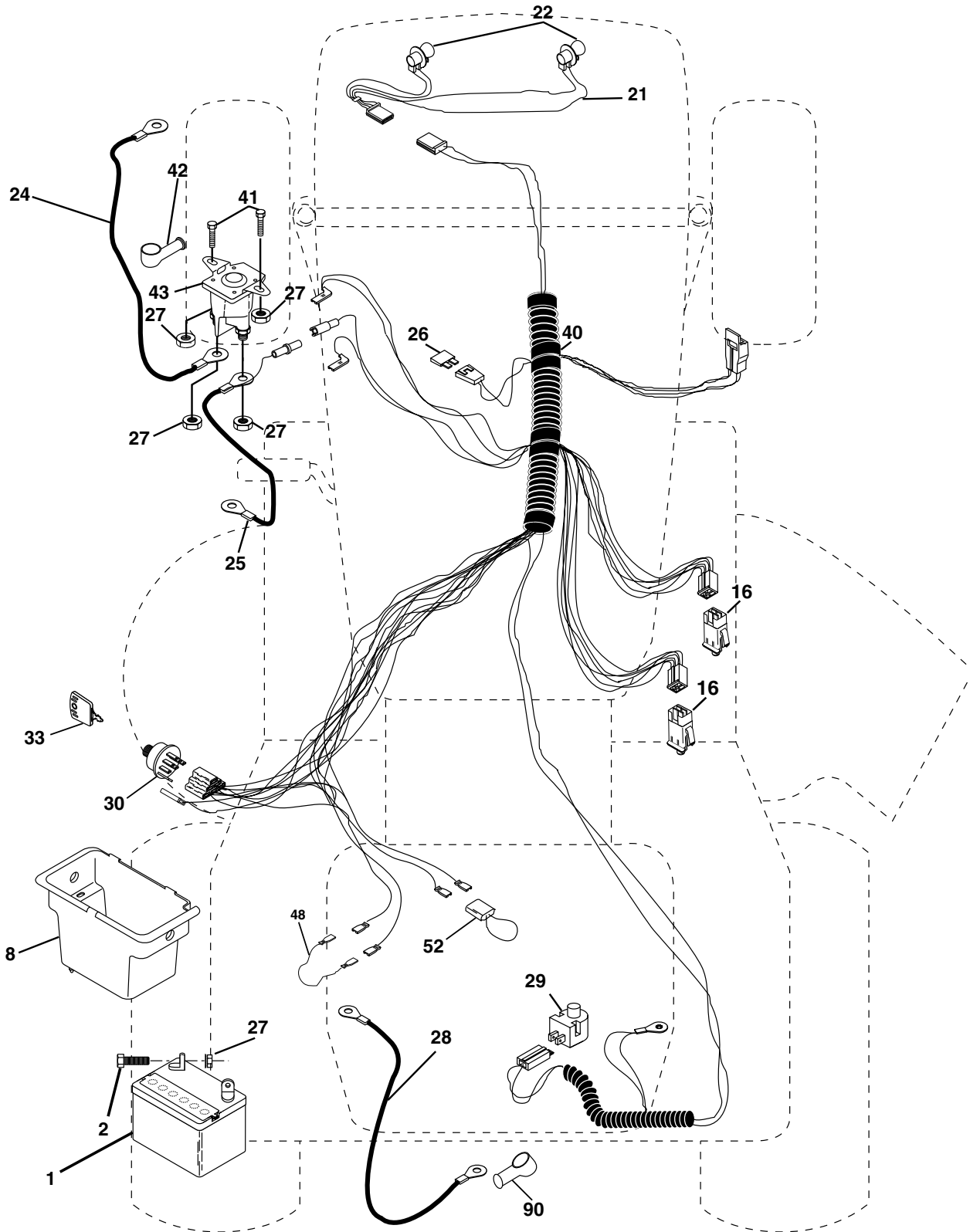
REMOVABLE CONNECTIONS

**WIRING INSULATED CLIPS**

**NOTE:** IF WIRING INSULATED CLIPS WERE REMOVED FOR SERVICING OF UNIT, THEY SHOULD BE REPLACED TO PROPERLY SECURE YOUR WIRING.

# REPAIR PARTS

TRACTOR - MODEL NO. LT125 (HAU12536B), PRODUCT NO. 954 17 00-94  
ELECTRICAL



# REPAIR PARTS

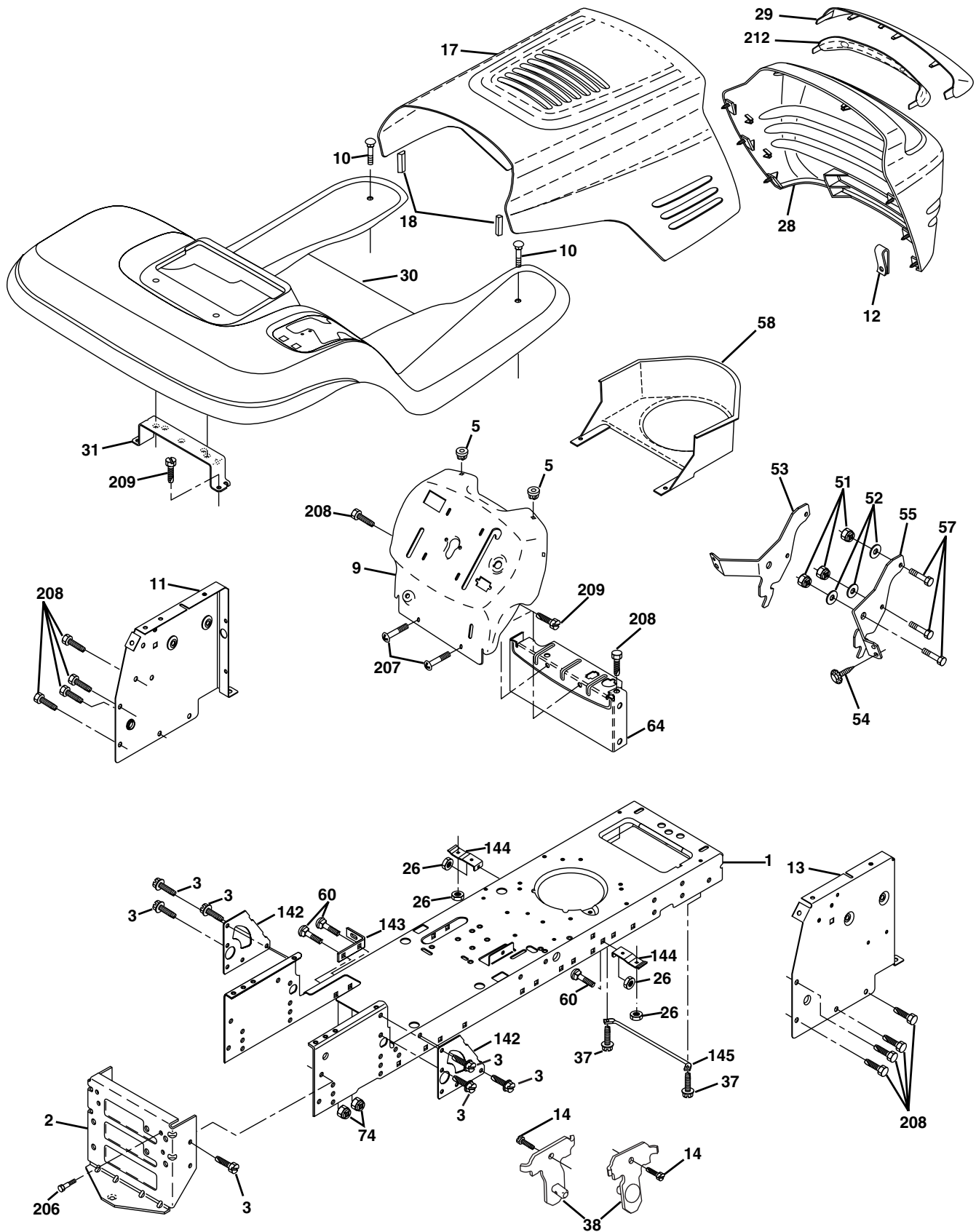
TRACTOR - MODEL NO. LT125 (HAU12536B), PRODUCT NO. 954 17 00-94  
ELECTRICAL

KEY NO.	PART NO.	DESCRIPTION
1	532 16 34-65	Battery 12 Volt 25 AMP
2	874 76 04-12	Bolt Hex Hd 1/4-20unc X 3/4
8	532 17 66-89	Box Battery
16	532 17 61-38	Switch Interlock Push-In
21	532 17 56-85	Harness Asm Light W/4152j
22	532 00 41-52	Bulb Light #1156
24	532 12 47-80	Cable Battery 6 Ga 11" red
25	532 14 61-47	Cable Battery 6 Ga 44" red w/16 wire
26	532 17 51-58	Fuse 20 AMP
27	873 51 04-00	Nut Keps Hex 1/4-20 Unc
28	532 12 47-73	Cable Ground 6 Ga 12" black
29	532 12 13-05	Switch Plunger Nc Gray
30	532 17 55-66	Switch Ign
33	532 14 04-01	Key Ign Molded Generic
40	532 17 97-20	Harness Ign.
41	871 11 04-08	Bolt Blk Fin Hex 1/4 - 20 x 1/2
42	532 13 15-63	Cover Terminal Red
43	532 17 88-61	Solenoid
48	532 14 08-44	Adapter Ammeter Rectangular
52	532 14 19-40	Protection Wire Loop
90	532 18 04-49	Cover Terminal Battery

**NOTE:** All component dimensions given in U.S. inches.  
1 inch = 25.4 mm.

# REPAIR PARTS

TRACTOR - MODEL NO. LT125 (HAU12536B), PRODUCT NO. 954 17 00-94  
CHASSIS AND ENCLOSURES



# REPAIR PARTS

## TRACTOR - MODEL NO. LT125 (HAU12536B), PRODUCT NO. 954 17 00-94 CHASSIS AND ENCLOSURES

KEY NO.	PART NO.	DESCRIPTION
1	532 17 46-19	Chassis Stamping
2	532 17 65-54	Drawbar
3	817 06 06-12	Screw 3/8-16x3/4
5	532 15 52-72	Bumper Hood/Dash
9	532 17 18-53	Dash P/L
10	872 14 06-08	Bolt Carriage 3/8-16 x 1
11	532 17 49-96	Panel Dash Lh
12	532 14 56-60	Clip Tinnerman
13	532 18 17-19	Panel Dash Rh
14	817 49 06-08	Screw Thdrol 3/8-16 x 1/2
17	532 16 22-37	Hood LT/PL Husqvarna
18	<b>532 18 49-21</b>	Bumper Extrusion
26	873 80 06-00	Nut Lock Hex W/Ins 3/8-16 Unc
28	532 17 98-45	Grille/Lens
29	532 17 66-45	Lens LT/PL
30	532 18 05-07	Fender Footrest STLT Pnt
31	532 13 99-76	Bracket Support Fender
37	817 49 05-08	Screw Thdrol 6/16-18 x 1/2 TYT
38	532 17 57-10	Bracket, Asm. Pivot, Mower Rear
51	873 80 04-00	Nut Lock Hex W/Ins 1/4-20
52	819 09 14-16	Washer 9/32 x 7/8 x 16 Ga.
53	532 14 46-97	Bracket Grille LH
54	532 16 14-64	Screw Hex Wshd 8-18 x 7/8
55	532 14 46-96	Bracket Grille RH
57	874 78 04-12	Bolt Hex 1/4-20 x 3/4
58	532 15 01-27	Air Duct Engine P/L
60	872 14 06-06	Bolt Rdhd Sqnk 3/8-16unc x 3/4
64	532 15 47-98	Dash Lower STLT
74	873 68 06-00	Nut Crownlock 3/8-16 UNC
142	532 17 57-02	Plate Reinforcement STLT
143	532 15 49-66	Bracket Swaybar Chassis
144	532 17 55-82	Bracket Pnt Footrest STLT
145	532 15 65-24	Rod Pivot Chassis/Hood
206	532 17 01-65	Bolt Shoulder 5/16-18 TT
207	817 67 05-08	Screw Thdrol 5/16-18 x 1/2
208	817 67 06-08	Screw Thdrol 3/8-16 x 1/2
209	<b>817 00 06-12</b>	Screw 3/8-16 x 3/4
212	532 15 62-29	Insert Lens Reflect
--	532 00 54-79	Plug Button

**NOTE:** All component dimensions given in U.S. inches  
1 inch = 25.4 mm



# REPAIR PARTS

TRACTOR - MODEL NO. LT125 (HAU12536B), PRODUCT NO. 954 17 00-94  
DRIVE

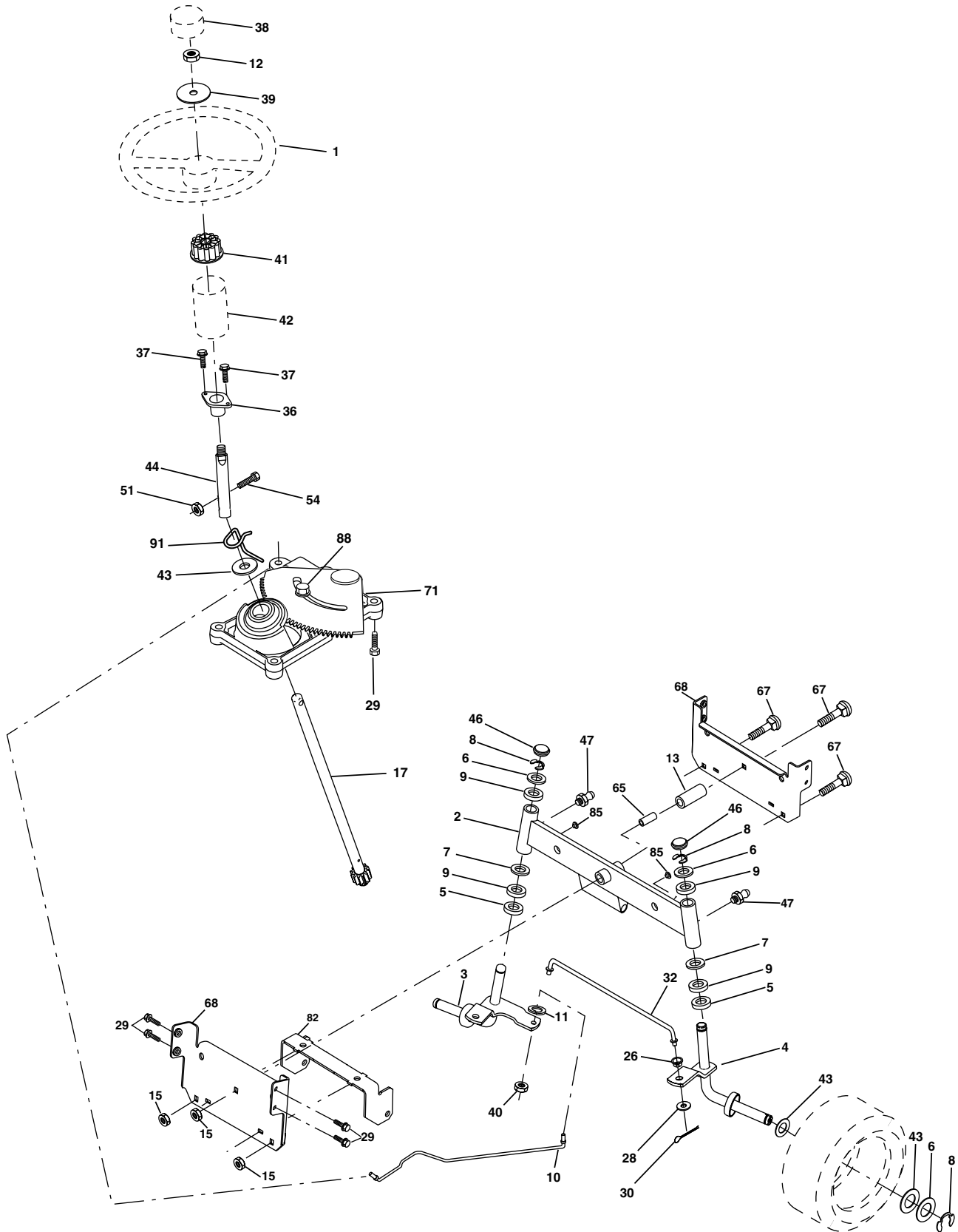
KEY PART NO. NO.	DESCRIPTION	KEY PART NO. NO.	DESCRIPTION
1	----- Transaxle, Peerless 205-544C (Order Parts From Transaxle Manufacturer)	64	871 17 07-64 Bolt Hex
2	532 14 66-82 Spring Return Brake T/a Zinc	65	810 04 07-00 Washer Lock Hvy Hlcl Spr 7/16
3	532 12 36-66 Pulley Transaxle 18" tires	66	532 15 47-78 Keeper Belt Engine Foolproof
4	812 00 00-28 Ring Retainer # 5100-62	70	532 13 46-83 Guide Belt Mower Drive RH
5	532 12 15-20 Strap Torque 30 Degrees	74	532 13 70-57 Spacer Axle
6	817 06 05-12 Screw Thdrol 5/16-18 X 3/4 TYT	75	532 12 17-49 Washer 25/32 X 1 1/4 X 16 Ga
8	532 16 58-66 Rod Shift Fender Adjust STLT	76	812 00 00-01 E-ring #5133-75
10	876 02 04-16 Pin Cotter 1/8 X 1 Cad	77	532 12 35-83 Key Square 2 0 X 1845/ 1865
11	532 10 57-01 Washer Plate Shf 388 Sq Hole	78	532 12 17-48 Washer 25/32 X 1-5/8 X 16 Ga
13	874 55 04-12 Bolt 1/4-28 Unf Gr 8 W/Patch	79	532 12 50-96 Key Woodruff #9 3/16 x 3/4
14	810 04 04-00 Washer Lock Hvy Helical 1/4	80	532 13 14-86 Arm Shift
16	873 80 05-00 Nut Lock Hx W/Ins 5/16-18 Unc Pl	81	532 16 55-94 Shaft Asm Cross Tapered DA/PR 18"
18	874 78 06-16 Bolt, Fin Hex 3/8-16 UNC x 1 Gr. 5	82	532 16 57-11 Spring Torsion T/a
19	873 80 06-00 Nut Lock 3/8-16 Unc	83	819 17 12-16 Washer 17/32 X 3/4 X 16 Ga
21	532 12 12-74 Knob	84	532 16 62-28 Transaxle Link
22	532 13 08-04 Rod Brake Blk Zinc 26 840	85	532 15 03-60 Nut Lock Center 1/4 - 28 FNTHD
24	873 35 06-00 Nut Hex Jam 3/8-16 Unc	89	532 17 66-37 Console Shift STLT
25	532 10 68-88 Spring Rod Brake 2 00 Zinc	90	532 12 43-46 Nut Self-thd Wsh-hd 1/4 Zinc
26	819 13 13-16 Washer 13/32 X 13/16 X 16 Ga	96	532 12 47-88 Retainer Spring 1"
27	876 02 04-12 Pin Cotter 1/8 X 3/4 Cad	112	819 09 12-10 Washer 9/32 x 3/4 x 10 Ga.
28	532 17 57-65 Rod Brake Parking LT/YT	113	532 12 72-85 Strap Torque LT
29	532 07 16-73 Cap Brake Parking Black	116	872 14 06-08 Bolt Rdhd Sq Neck 3/8-16 x 1
30	532 17 49-73 Bracket Mtg Transaxle	120	873 90 06-00 Nut Lock Flg. 3/8-16
32	874 76 05-12 Bolt Hex Hd 5/16-18unc X 3/4	145	874 49 05-40 Bolt Hex Flg Hd 5/16-18 Gr 5
34	532 17 55-78 Shaft Asm Pedal Foot	150	532 17 54-56 Spacer Retainer
35	532 12 01-83 Bearing Nylon Blk 629 Id	151	819 13 32-10 Washer 13/32 x 2 x 10 Ga.
36	819 21 16-16 Washer 21/32 X 1 X 16 Ga	156	532 16 60-02 Washer Srrted 5/16ID x 1.125
37	532 12 49-63 Pin Roll 3/16 X 1"	158	532 16 55-89 Bracket Shift Mount
38	532 17 91-14 Pulley Composite	159	<b>532 18 39-00</b> Hub Shift
39	874 76 06-48 Bolt Fin Hex 3/8-16 unc X 3	161	872 14 04-06 Bolt Rdhd Sqnk 1/4-20 x 3/4 Gr 5
41	532 17 55-56 Keeper Belt Idler Flat	162	873 68 04-00 Nut Crownlock 1/4-20 Unc
47	532 12 77-83 Pulley Idler V Groove Plastic	163	874 78 04-16 Bolt Hex Fin 1/4-20 Unc x 1 Gr 5
48	532 15 44-07 Bellcrank Clutch Grnd Drv Stl	164	819 09 10-10 Washer 5/8 x .281 x 10 Ga
49	532 12 32-05 Retainer Belt Style Spring	165	532 16 56-23 Bracket Pivot Lever
50	874 76 06-24 Bolt Hex Hd 3/8-16unc X 1-1/2	166	532 16 68-80 Screw 5/16-18 x 5/8
51	873 68 06-00 Nut Crownlock 3/8-16 Unc	168	532 16 54-92 Bolt Shoulder 5/16-18 x .561
52	873 68 05-00 Nut Crownlock 5/16-18 Unc	169	532 16 55-80 Plate Fastening STLT/CRD
53	532 10 57-10 Link Clutch	170	532 17 83-94 Keeper Belt T/A
55	532 10 57-09 Spring Return Clutch 6 75	197	532 16 96-13 Nyliner Snap-In 5/8" ID
56	817 06 06-20 Screw 3/8-16 x 1-1/4	198	532 16 95-93 Washer Nyl 7/8 Id x .105" Hyd
57	532 13 08-01 V-Belt Ground Drive 95 25	202	872 11 06-14 Bolt Carr Sh 3/8-16 x 1-3/4 Gr 5
59	532 16 96-91 Keeper Belt Span Ctr	212	532 14 52-12 Nut Hex Flg Lock
61	817 12 06-14 Screw 3/8-16 x .875		
62	532 12 48-72 Cover Pedal		
63	532 17 54-10 Engine Pulley LT/YT		

**NOTE:** All component dimensions given in U.S. inches  
1 inch = 25.4 mm



# REPAIR PARTS

TRACTOR - MODEL NO. LT125 (HAU12536B), PRODUCT NO. 954 17 00-94  
STEERING ASSEMBLY



# REPAIR PARTS

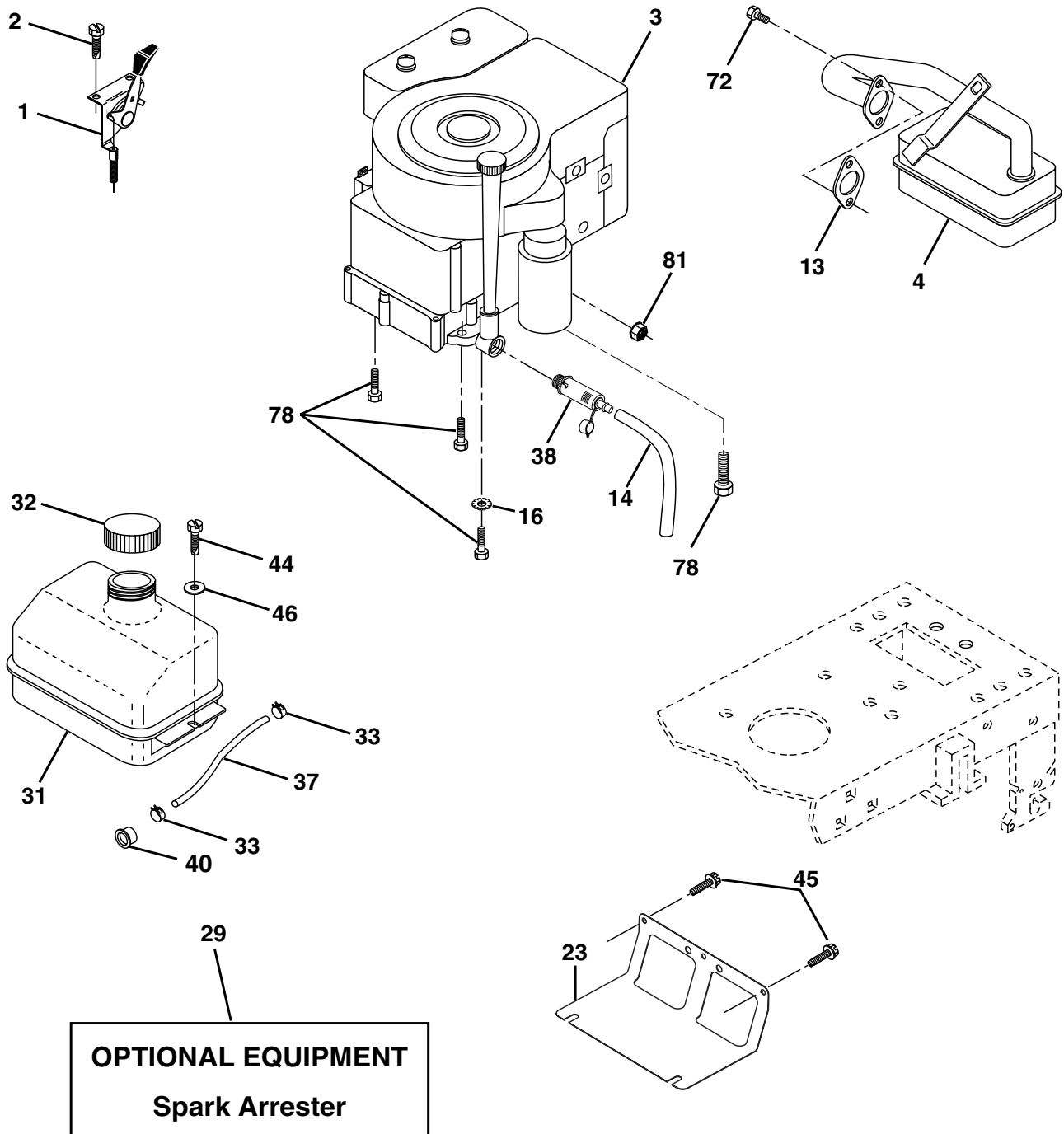
## TRACTOR - MODEL NO. LT125 (HAU12536B), PRODUCT NO. 954 17 00-94 STEERING ASSEMBLY

KEY NO.	PART NO.	DESCRIPTION
1	532 12 44-15	Wheel Steering
2	532 17 51-31	Axle Asm
3	532 16 98-40	Spindle Asm LH
4	532 16 98-39	Spindle Asm RH
5	532 12 49-31	Bearing Race Thrust Harden
6	532 12 17-48	Washer 25/32 X 1-5/8 X 16 Ga
7	819 27 20-16	Washer 27/32 X 1-1/4 X 16 Ga
8	812 00 00-29	Ring Klip #15304-75
9	532 12 49-37	Bearing Col Strg Blk
10	532 17 51-21	Link Drag
11	810 04 06-00	Washer Lock Hvy Hlcl Spr 3/8
12	873 94 08-00	Nut Hex Jam Toplock 1/2-20 Unf
13	532 13 65-18	Spacer Brg Axle Front
15	532 14 52-12	Nut Hex Flange Lock
17	532 18 06-41	Shaft Asm Strg
26	532 12 68-47	Bushing Link Drag Blk LR
28	819 13 14-16	Washer 13/32 X 7/8 X 16 Ga
29	817 06 06-12	Screw 3/8-16x3/4
30	876 02 04-12	Pin Cotter 1/8 X 3/4 Cad
32	532 13 04-65	Rod Tie Wire Form 19 75 Mech
36	532 15 50-99	Bushing Strg
37	532 15 29-27	Screw
38	532 12 44-16	Insert Cap Strg Wh
39	819 18 38-12	Washer 9/16 x 2-3/8
40	532 12 47-01	Lock nut
41	532 10 07-11	Adaptor Wheel Strg
42	532 16 96-34	Boot Steering Shaft
43	532 12 17-49	Washer 25/32 X 1-1/4 X 16 Ga
44	532 18 06-40	Extension Steering Shaft LR/LT
46	532 12 12-32	Cap Spindle Fr Top Blk
47	532 18 32-26	Fitting Grease
51	873 54 04-00	Nut Crownlock 1/4-28
54	871 13 04-20	Bolt Hex 1/4-28unf x 1-1/4
63	874 78 06-16	Bolt Fin Hex 3/8-16unc x 1 Gr. 5
65	532 16 03-67	Spacer Brace Axle
67	872 11 06-18	Bolt, Rdhd Sqnk 3/8-16 x 2-1/4
68	532 16 98-27	Axle, Brace
71	532 17 51-46	Steering Asm.
82	532 16 98-35	Bracket Susp Chassis Front
85	532 13 38-35	Fastener Christmas Tree
88	532 17 51-18	Bolt Shoulder 7/16-20
91	532 17 55-53	Clip Steering

**NOTE:** All component dimensions given in U.S. inches.  
1 inch = 25.4 mm.

# REPAIR PARTS

TRACTOR - MODEL NO. LT125 (HAU12536B), PRODUCT NO. 954 17 00-94  
ENGINE



# REPAIR PARTS

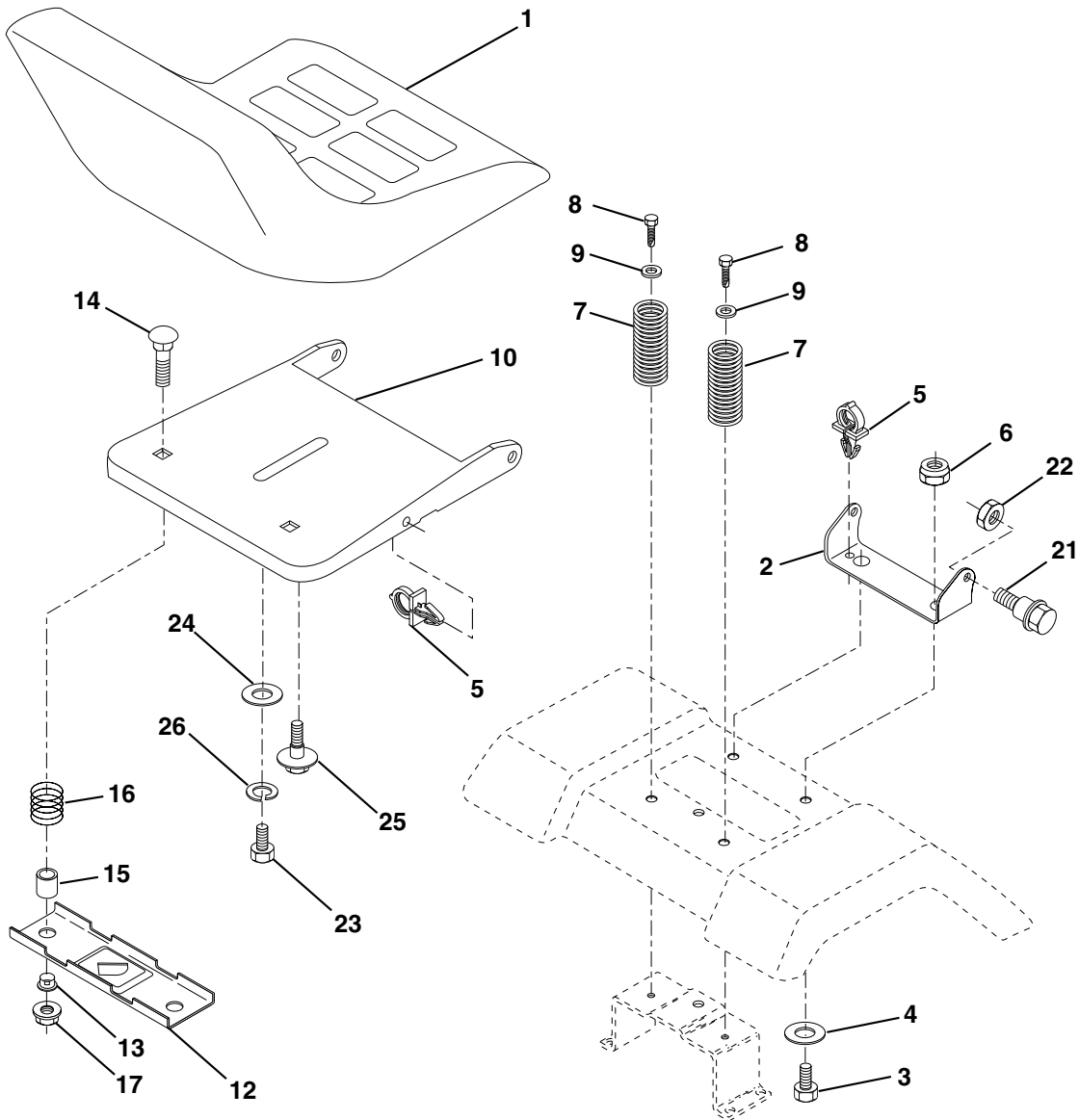
TRACTOR - MODEL NO. LT125 (HAU12536B), PRODUCT NO. 954 17 00-94  
ENGINE

KEY NO.	PART NO.	DESCRIPTION
1	532 17 05-51	Control Th/ch Flag
2	817 72 04-08	Screw Hex Thd Cut 1/4-20 x 1/2
3	-----	Engine B&S Model No. <b>21A807</b> (Order Parts From Engine Manufacturer)
4	<b>532 17 97-58</b>	Muffler
13	532 16 52-91	Gasket Eng 1 313 Id Tin Plated
14	532 14 84-56	Tube Drain Oil Easy
16	811 05 06-00	Washer Lock Ext Tooth 3/8
23	532 16 98-37	Shield Brn/Dbr Guard
29	532 13 71-80	Kit Spark Arrestor (Flat Scrn)
31	<b>532 18 49-00</b>	Tank Fuel Front
32	532 14 05-27	Cap Asm Fuel W/sym Vented
33	532 12 34-87	Clamp Hose Black
37	532 13 70-40	Line Fuel 20"
38	532 18 16-54	Plug Drain Oil Easy
40	532 12 40-28	Bushing Snap Nyl Blk Fuel Line
44	817 67 04-12	Screw Hexwsh Thdrol 1/4-20x3/4
45	817 00 06-12	Screw Hex Wsh Thdrol 3/8-16 x 3/4
46	819 09 14-16	Washer 9/32 X 7/8 X 16 Ga
72	<b>532 18 39-06</b>	Screw Socket Head 5/16-18 x 1
78	817 06 06-20	Screw 3/8-16x1-1/4
81	873 51 04-00	Nut 1/4-20

**NOTE:** All component dimensions given in U.S. inches  
1 inch = 25.4 mm

# REPAIR PARTS

TRACTOR - MODEL NO. LT125 (HAU12536B), PRODUCT NO. 954 17 00-94  
SEAT ASSEMBLY



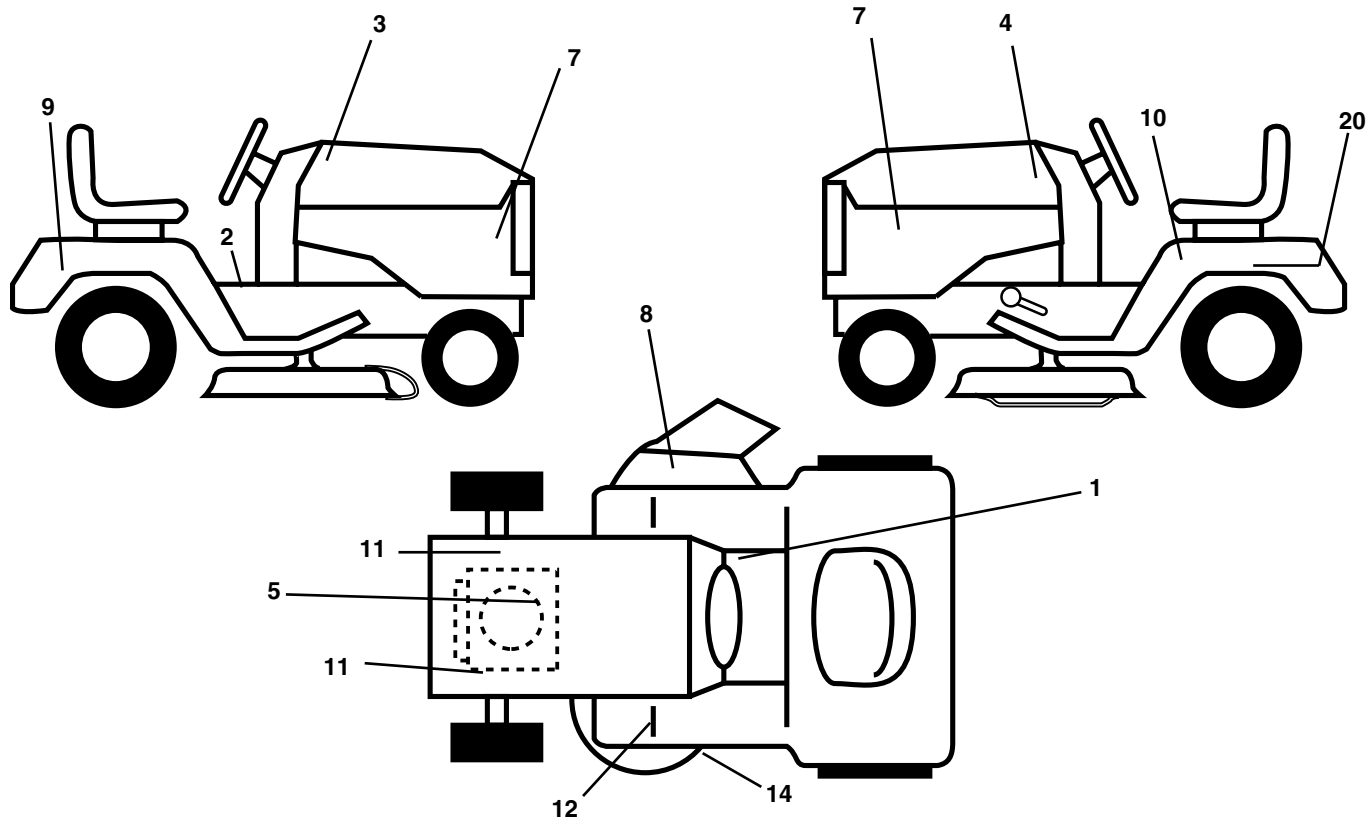
KEY NO.	PART NO.	DESCRIPTION
1	532 14 08-38	Seat
2	532 14 05-51	Bracket Pivot Seat 8 720
3	871 11 06-16	Bolt Fin Hex 3/8-16unc X 1
4	819 13 16-10	Washer 13/32 X 1 X 10 Ga
5	532 14 50-06	Clip Push-In
6	873 80 06-00	Nut Hex w/Ins. 3/8-16 Unc
7	532 12 41-81	Spring Seat Cprsn 2 250 Blk Zi
8	817 00 06-16	Screw 3/8-16 X 1-1/2
9	819 13 16-14	Washer 13/32 X 1 X 14 Ga.
10	532 18 24-93	Pan Seat
12	532 12 12-46	Bracket Mounting Switch
13	532 12 12-48	Bushing Snap Blk Nyl 50 Id

KEY NO.	PART NO.	DESCRIPTION
14	872 05 04-12	Bolt Rdhd Sqnk 1/4-20x1-1/2
15	532 13 43-00	Spacer Split 28x 96 Yel Zinc
16	532 12 12-50	Spring Cprsn 1 27 Blk Pnt
17	532 12 39-76	Nut Lock 1/4 Lge Flg Gr 5 Zinc
21	532 17 18-52	Bolt Shoulder 5/16-18 Unc
22	873 80 05-00	Nut Hex Lock W/Ins 5/16-18
23	871 11 08-14	Bolt Hex
24	819 17 19-12	Washer 17/32 X 1-3/16 X 12 Ga.
25	532 12 70-18	Bolt Shoulder 5/16-18 X 62
26	810 04 08-00	Washer Lock Hvy HLCL SPR 1/2

**NOTE:** All component dimensions given in U.S. inches.  
1 inch = 25.4 mm

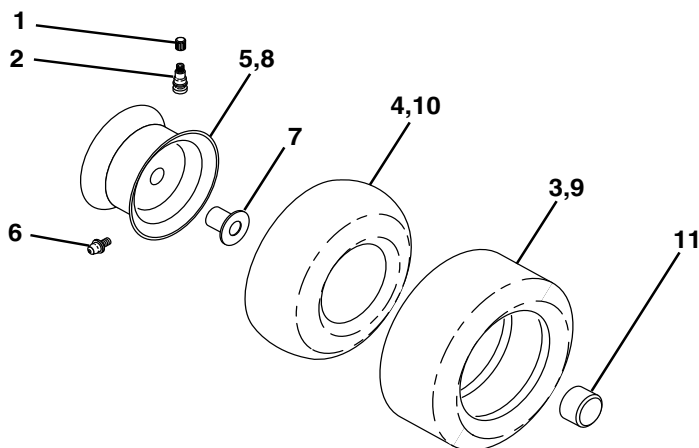
# REPAIR PARTS

TRACTOR - MODEL NO. LT125 (HAU12536B), PRODUCT NO. 954 17 00-94  
DECALS



KEY NO.	PART NO.	DESCRIPTION	KEY NO.	PART NO.	DESCRIPTION
1	532 16 88-69	Decal Tick Mark	11	532 15 97-36	Decal Chassis Hot Muffler
2	532 14 08-37	Decal Saddle Brake Parking	12	532 15 97-37	Decal Brake/ Clutch Symbol Lt
3	532 17 58-48	Decal Hood RH	14	532 13 68-32	Decal V-Belt Schematic
4	532 17 58-49	Decal Hood LH	20	532 14 50-05	Decal Bat Dan/Psn
5	<b>532 18 47-65</b>	Decal HP Engine	--	532 17 12-84	Pad Footrest LH STLT
7	532 15 97-13	Decal Pnl Side	--	532 16 25-98	Decal Drawbar
8	532 18 21-66	Decal Mower Cutting	--	532 17 12-85	Pad Footrest RH STLT
9	532 15 06-17	Decal Fender Husq	--	532 13 83-11	Decal Handle Lift Height Adjust
10	532 14 54-98	Decal Read Owner's Manual Syms.	--	<b>532 18 60-12</b>	Manual Owner's (English)

## WHEELS & TIRES

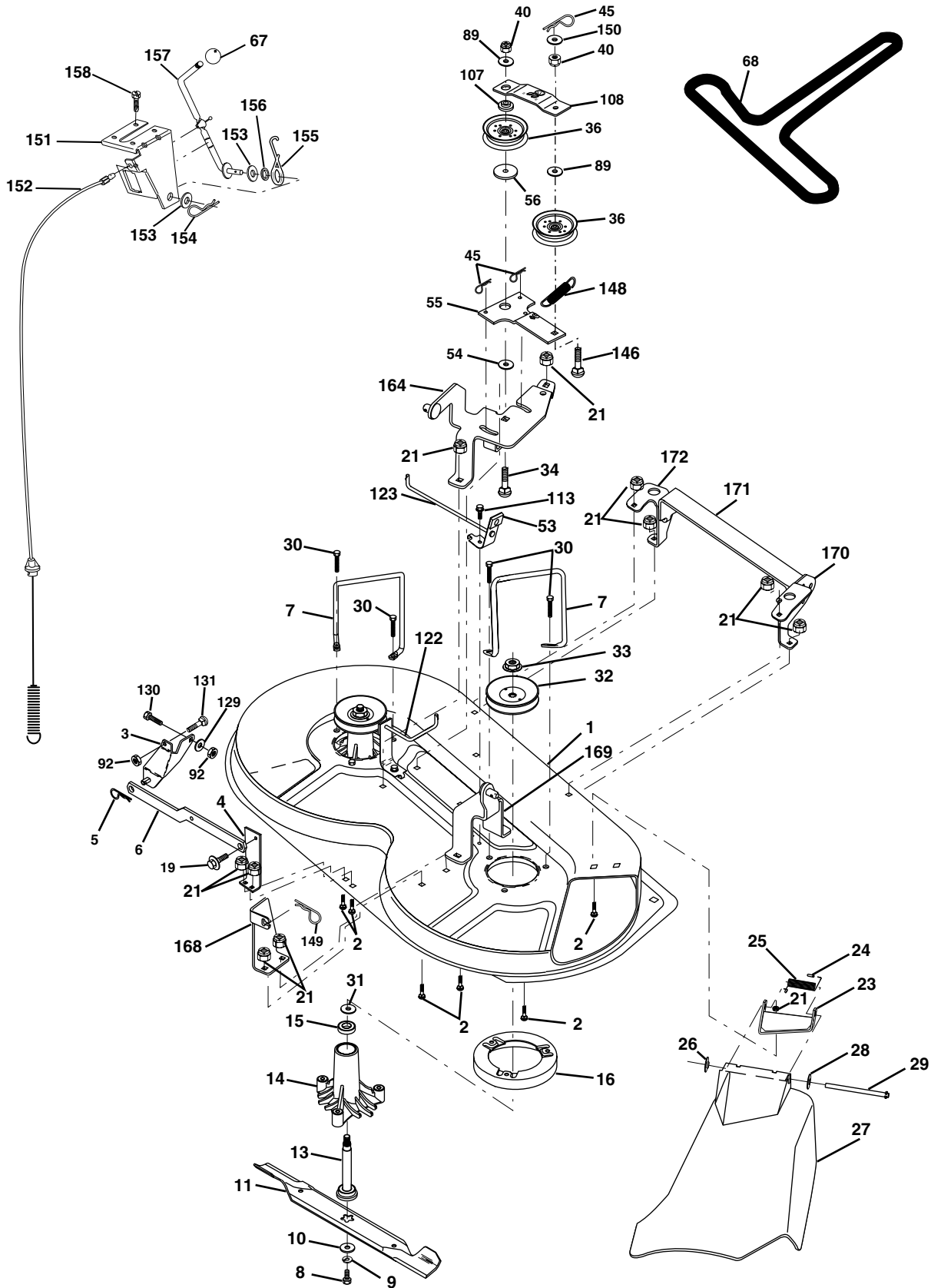


KEY NO.	PART NO.	DESCRIPTION
1	532 05 91-92	Cap Valve Tire
2	532 06 51-39	Stem Valve
3	532 10 62-22	Tire F Ts 15 X 6 0 - 6 Service
4	532 05 99-04	Tube Front (Service Item Only)
5	532 13 83-36	Rim Asm 6"front Silver Service
6	532 12 49-57	Fitting Grease (Front Wheel Only)
7	532 12 49-59	Bearing Flange (Front Wheel Only)
8	532 13 83-37	Rim Asm 8"rear Silver Service
9	532 12 46-35	Tire R Ts 18x9 5-8 C Service
10	532 12 49-26	Tube Rear (Service Item Only)
11	532 17 50-39	Cap Axle Blk 1 50 X 1 00
--	532 14 43-34	Sealant, Tire ( 10 oz. Tube)

**NOTE:** All component dimensions given in U.S. inches  
1 inch = 25.4 mm

# REPAIR PARTS

TRACTOR - MODEL NO. LT125 (HAU12536B), PRODUCT NO. 954 17 00-94  
MOWER DECK



# REPAIR PARTS

## TRACTOR - MODEL NO. LT125 (HAU12536B), PRODUCT NO. 954 17 00-94 MOWER DECK

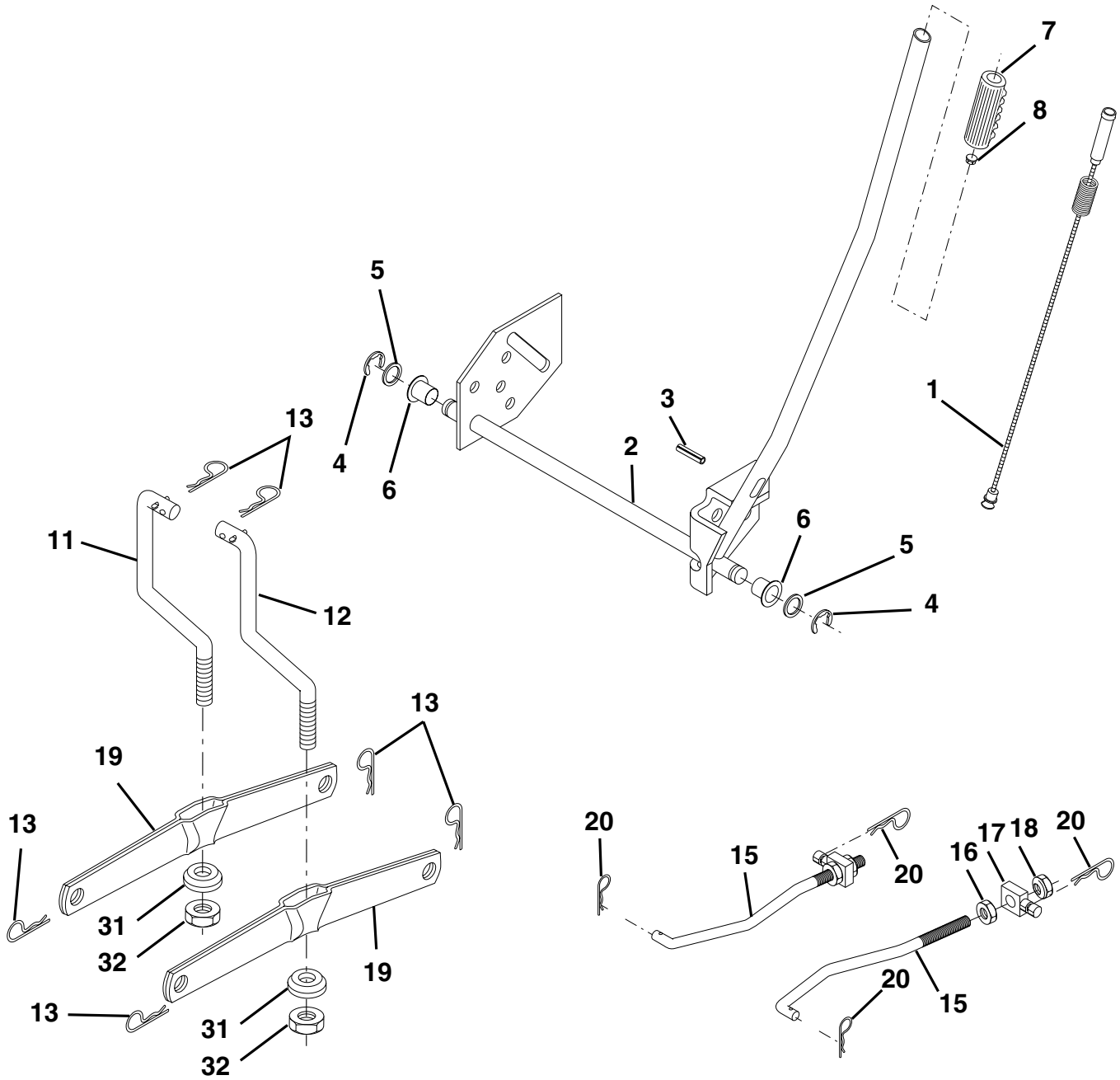
KEY NO.	PART NO.	DESCRIPTION	KEY NO.	PART NO.	DESCRIPTION
1	532 17 45-95	Mower Deck Assembly	55	532 13 38-40	Idler Arm Assembly
2	872 14 05-06	Bolt	56	532 16 57-23	Spacer, Retainer
3	532 13 80-17	Bracket Assembly, Sway Bar	67	532 10 69-32	Knob RD 3/8-16 Plstc Thd
4	532 17 56-54	Bracket Sway Bar	68	532 17 49-78	Belt
5	532 12 46-70	Retainer Spring	69	876 02 03-12	Pin, Cotter 3/32 x 3/4
6	532 17 80-24	Bar Sway Deck	89	819 13 16-12	Washer 13/32 x 1 x 12 Ga
7	532 14 06-08	Keeper Belt	92	873 80 06-00	Nut Lock Hex w/Ins 3/8-16
8	532 85 08-57	Bolt, Hex 3/8-24 x 1.25 Gr. 8	107	532 13 35-02	Spacer, Retainer
9	810 03 06-00	Washer, Lock Hvy Hlcl 3/8	108	532 13 35-03	Stiffener, Idler Arm
10	532 14 02-96	Washer, Hardened (The following blades are available)	113	817 49 05-08	Screw Thdrol 5/16-18 x 1/2
11	532 13 84-96	Blade, Mower	122	532 17 45-05	Rod, Brake, LH
	<b>532 14 01-01</b>	Blade, 36" Mulching (For Mulching Mowers Only)	123	532 17 45-04	Rod, Brake, RH
	<b>532 13 84-96</b>	Blade, 36" Hi-Lift (For Bagging and Discharging)	129	819 13 13-12	Washer 13/32 x 13/16 x 12
13	532 13 76-45	Shaft Assembly, Mandrel,	130	874 78 06-16	Bolt Fin Hex 3/8-16 x 1
14	532 12 87-74	Housing, Mandrel, Vented	131	872 14 06-08	Bolt Rdhd Sqnk 3/8-16 x 1
15	532 11 04-85	Bearing, Ball, Mandrel	146	532 16 58-91	Bolt Carriage Idler
16	532 17 44-93	Stripper, Mower Deck	148	532 16 90-22	Spring Return Idler
19	532 13 28-27	Bolt, Shoulder	149	532 16 58-98	Retainer Spring Yellow Zinc
21	873 68 05-00	Nut Crownlock 5/16-18	150	819 09 12-16	Washer 9/32 x 3/4 x 16 Ga.
23	532 13 66-31	Bracket, Mower Deflector	151	532 16 96-70	Bracket Clutch
24	532 10 53-04	Cap, Sleeve	152	532 17 60-79	Cable Clutch
25	532 12 37-13	Spring, Torsion, Deflector	153	532 16 96-74	Washer Flat 3/8" Type B
26	532 11 04-52	Nut, Push	154	532 16 96-75	Spring Retainer
27	532 17 61-62	Shield, Deflector	155	532 16 96-71	Spring Retention Lever
28	819 11 10-16	Washer 11/32 x 5/8 x 16 Ga.	156	532 16 96-72	Spacer
29	532 12 19-80	Rod, Hinge	157	532 16 96-69	Rod Clutch
30	532 17 39-84	Screw Thdrol	158	817 72 04-08	Screw Hex Thd Cut 1/4-20 x 1/2
31	532 12 99-63	Washer, Spacer	164	532 17 49-76	Bracket Asm Idler Support
32	532 15 35-31	Pulley, Mandrel	168	532 17 23-77	Bracket Deck Cable
33	532 17 83-42	Nut, Toplock, Flanged	169	532 17 49-77	Bracket Asm Suspension
34	872 11 06-14	Bolt Rdhd 3/8-16 x 1-3/4	170	532 17 23-59	Bracket Suspension RF
36	532 13 14-94	Pulley, Idler, Flat	171	532 16 52-37	Bracket Support Susp. Frt
40	873 68 06-00	Nut Crownlock 3/8-16	172	532 17 23-55	Bracket Suspension LF
45	532 12 47-88	Retainer, Spring	--	532 13 07-94	Mandrel Assembly (Includes Housing, Shaft and Shaft Hardware Only - Pulley Not Included)
53	532 13 08-40	Brake Assembly	--	532 17 52-54	Replacement Mower, Complete
54	<b>532 17 85-15</b>	Washer, Hardened			

**NOTE:** All component dimensions given in U.S. inches  
1 inch = 25.4 mm



# REPAIR PARTS

TRACTOR - MODEL NO. LT125 (HAU12536B), PRODUCT NO. 954 17 00-94  
MOWER LIFT



# REPAIR PARTS

TRACTOR - MODEL NO. LT125 (HAU12536B), PRODUCT NO. 954 17 00-94  
MOWER LIFT

KEY NO.	PART NO.	DESCRIPTION
1	532 15 94-60	Wire Asm Inner/Spring W/plunger
2	532 15 94-71	Shaft Asm Lift
3	532 10 57-67	Pin Groove
4	812 00 00-02	E Ring #5133-62
5	819 21 16-21	Washer PLTD 21/32 X 1 X 21ga
6	532 12 01-83	Bearing Nylon Blk 629 Id
7	532 10 94-13	Grip Handle
8	532 12 45-26	Button Plunger Black
11	532 13 98-65	Link Lift LH
12	532 13 98-66	Link Lift RH
13	532 12 46-70	Retainer Spring
15	532 17 32-88	Link Front
16	873 35 08-00	Nut Jam Hex 1/2-13 Unc
17	532 17 56-89	Trunnion
18	873 80 08-00	Nut Lock W/wsh 1/2-13unc
19	532 13 98-68	Arm Suspension Rear
20	532 16 35-52	Spring, Retainer
31	532 16 98-65	Bearing Pvt. Lift
32	873 54 06-00	Nut Crownlock 3/8-24

**NOTE:** All component dimensions given in U.S. inches  
1 inch = 25.4 mm