

Illustrated Parts List

TS 20

8 H.P. 30" (76,2 cm)

SLEEVE HITCH

TILLER ATTACHMENT

MODEL NUMBER TS200FR



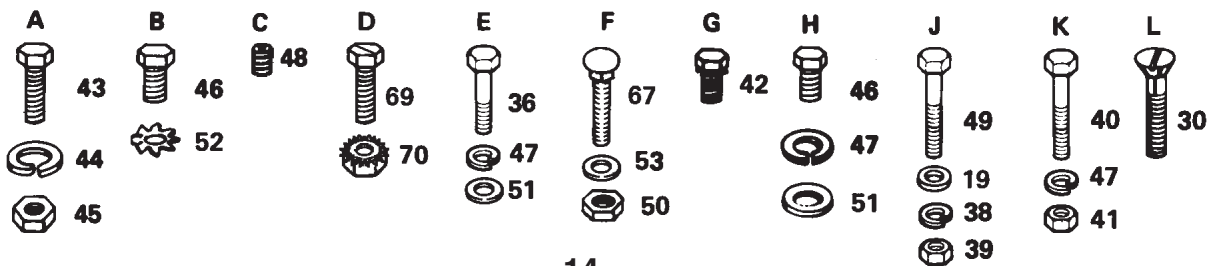
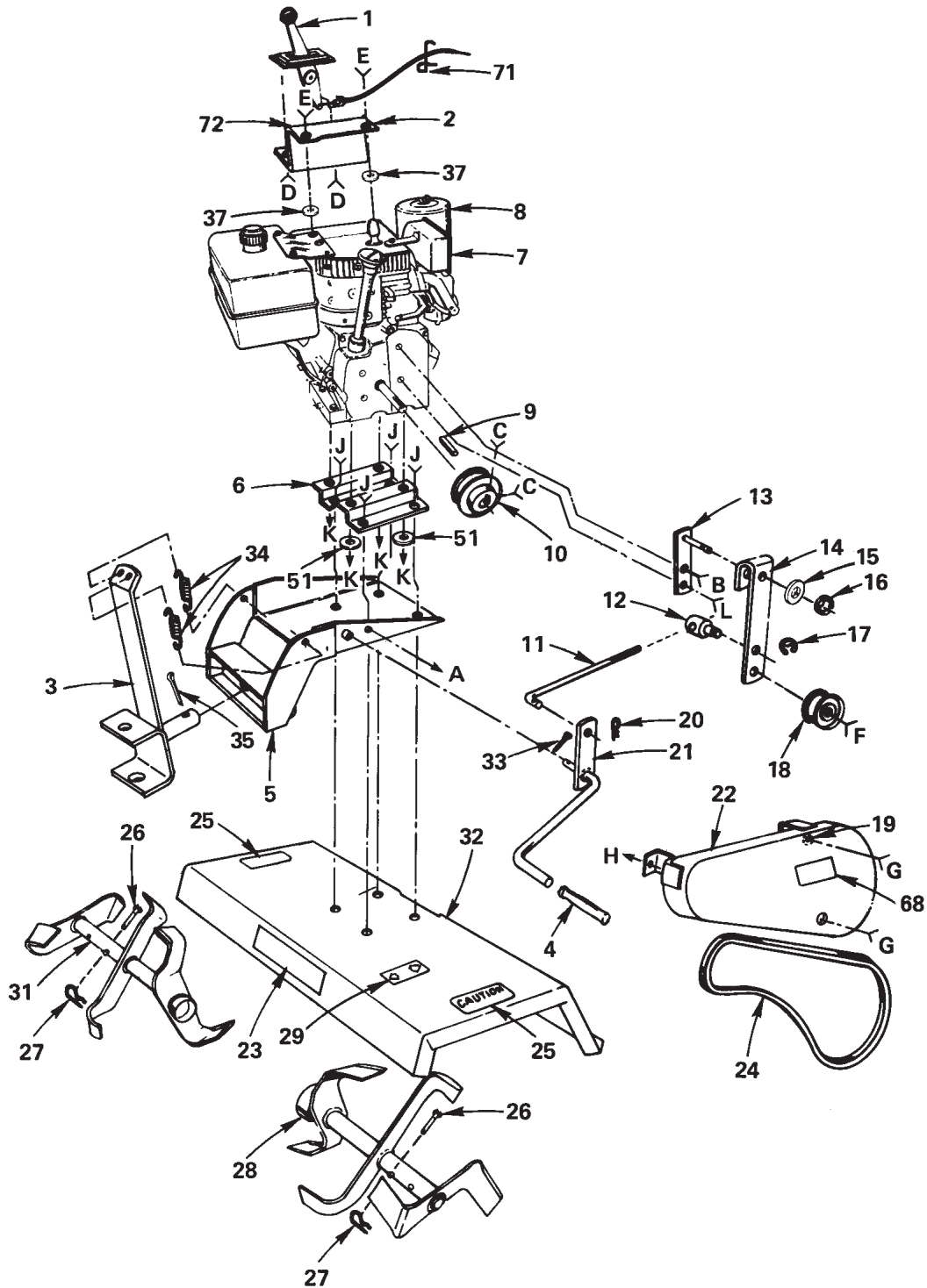
Electrolux

02480

REPAIR PARTS

8 HP TILLER ATTACHMENT -- MODEL NUMBER TS200FR

ENGINE AND TINES



REPAIR PARTS

8 HP TILLER ATTACHMENT - - MODEL NUMBER TS200FR

ENGINE AND TINES

KEY NO.	PART NO.	DESCRIPTION	KEY NO.	PART NO.	DESCRIPTION
1	124533X	Control Throttle	35	76020824	Cotter Pin 1/4 x 1-1/2
2	6924J	Bracket, Throttle Control	36	74760516	* Bolt, Hex 5/16-18 x 1 Gr. 2
3	677A860	Hitch Yoke Assembly	37	19131311	Washer 13/32 x 13/16 x 11 Ga.
4	4379H	Grip, Handle	38	10040600	* Washer Lock, Hvy. Hel. Spring
5	677A855	Hitch Channel Assembly	39	73220600	* Nut, Hex 3/8-16 UNC
6	6922R	Plate, Adapter	40	74760524	* Bolt, Hex 5/16-18 x 1-1/2 Gr. 2
7	-----	Engine 8 H.P., Tecumseh	41	73220500	* Nut, Hex 5/16-18 UNC
8	104867X	Decal, Instruction, Engine	42	15760512	Hex Bolt with Sems Ext. Washer Lock 5/16-18 UNC x 3/4
9	4914H	Square Key 1/4 x 1-1/4	43	74760416	* Hex Bolt 1/4-20 x 1
10	8249R	Engine Sheave	44	10040400	* Washer Lock 1/4
11	6652H	Belt Tightener Link	45	73220400	* Hex Nut 1/4-20 UNC
12	6656H	Adjusting Pin	46	74770512	* Hex Bolt 5/16-24 x 3/4
13	624A12	Idler Support Plate and Pivot	47	10040500	* Washer Lock 5/16
14	2360J	Idler Arm	48	23200506	Hex Socket Set Screw 5/16-18x3/8
15	19151116	Washer 15/32 x 11/16 x 16 Ga. (0 - 2 as required)	49	74760624	* Hex Bolt 3/8-16 x 1-1/2
16	12000015	* E-Ring	50	73750600	* Hex Lock Nut 3/8-16 UNC
17	6683H	E-Ring	51	19111116	* Washer 11/32 x 11/16 x 16 Ga.
18	4933H	Idler Pulley	53	19121214	Washer
19	19131414	Washer 13/32 x 7/8 x 14 Ga.	52	11050500	Washer Lock External Tooth 5/16
20	4497H	Clip, Hairpin	67	72250614	Bolt, Carriage 3/8-16 x 1-3/4
21	626A430	Lever and Arm	69	71191008	Screw
22	634A726	Belt Guard and Supports	70	73731000	Nut, Keps #10-24 UNC
24	102655X	V-Belt	71	4171R	Clip - Insulated
25	120076X	Decal, Caution	72	168461	Decal, Throttle
26	4929H	Drilled Pan Hd. Rivet 3/8 x 1-3/4	--	110719X	Decal, Oper./Lubrication (Engine)
27	3146R	Clip, Hairpin	--	104959X	Decal, Tecumseh Logo (Engine)
28	626A401	Tine Weldment, L.H.	--	169689	Owner's Manual, English
29	174043	Decal, On/Off	--	169690	Owner's Manual, French
30	71180512	Screw, Fl. Hd. Mach. 5/16-24			
31	626A402	Tine Weldment, R.H.			
32	8224R	Tine Shield			
33	76020516	Cotter Pin 5/32 x 1			
34	8905R	Spring			

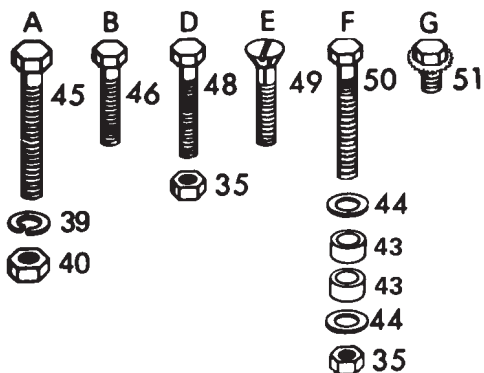
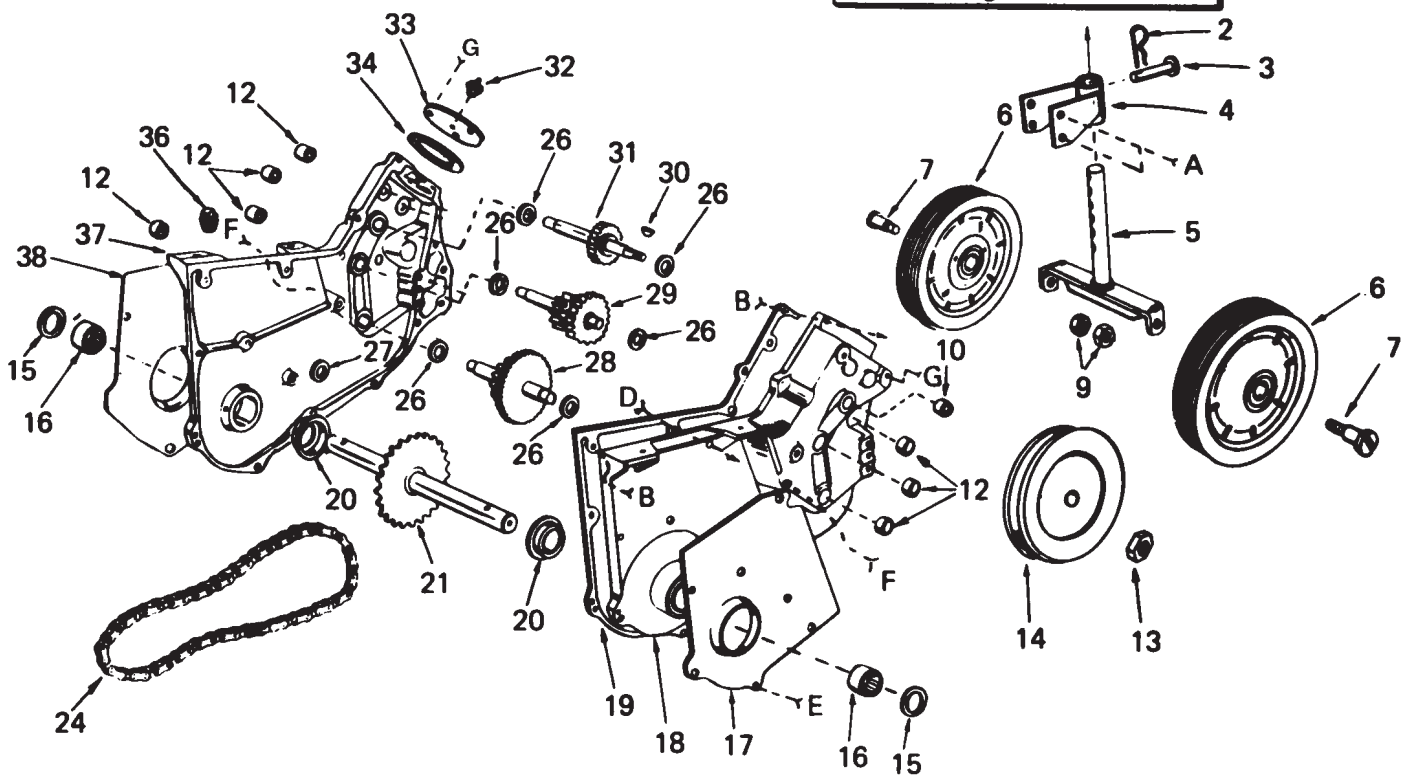
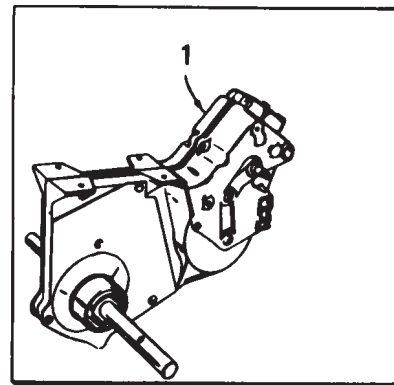
*STANDARD HARDWARE--PURCHASE LOCALLY

NOTE: All component dimensions given in U.S. inches.
1 inch = 25.4 mm.

REPAIR PARTS

8 HP TILLER ATTACHMENT - - MODEL NUMBER TS200FR

TRANSMISSION AND GAUGE WHEELS



REPAIR PARTS

8 HP TILLER ATTACHMENT - - MODEL NUMBER TS200FR

TRANSMISSION AND GAUGE WHEELS

KEY NO.	PART NO.	DESCRIPTION
1	634A562	Transmission
2	9135R	Retainer Spring
3	4929H	Drilled Pan Head Rivet 3/8 x 1-3/4
4	634A61	Gauge Wheel Sleeve and Brackets
5	634A559	Gauge Wheel Adjusting Shaft and Bracket
6	169374	Wheel
7	4898H	Shoulder Bolt
9	73560600	Locknut 3/8-16 UNC Nylock
10	5020J	Needle Bearing
12	4895H	Needle Bearing
13	9204 H	Locknut 1/2-20 UNF
14	4932H	Input Sheave
15	4910H	Oil Seal
16	3039R	Needle Bearing
17	4877H1	Gear Case Shield L.H.
18	634A553	Gear Case and Bearings L.H. Half (Inc. Key No's. 10,12,16 & 20)
19	2601R	Gasket
20	4870H	Thrust Cap
21	634A555	Tine Shaft and Sprocket
24	2600R	Roller Chain
26	1370H	Thrust Washer
27	4912H	Gasket
28	634A59	2nd Reduction Shaft and Gears
29	634A58	1st Reduction Shaft and Gears
30	9858M1	Woodruff Key 3/16 x 5/8
31	634A57	Input Shaft and Pinion
32	5855H	Relief Valve
33	6672H	Gear Shift Cover
34	4913H	Gasket
35	1685H	Locknut 5/16-18 UNC
36	13060400	Pipe Plug 1/2-14 N.P.T.
37	634A554	Gear Case and Bearings R.H. Half (Inc. Key No's. 12, 16 & 20)
38	4878H1	Gear Case Shield R.H.
39	10040600	* Washer Lock 3/8
40	73220600	* Hex Nut 3/8-16 UNC
43	7850H	Spacer
44	19111116	* Washer 11/32 x 11/16 x 16 Ga.
45	74760636	* Hex Bolt 3/8-16 x 2-1/4
46	17860524	Hex Hd. Roll-Lok Thd. Forming Screw 5/16-18 x 1-1/2
48	74760532	* Hex Bolt 5/16-18 x 2
49	20000524	Flat Hd. Slotted Roll-Lok Thd. Forming Screws 5/16-18 x 3/4
50	74780596	Hex Bolt 5/16-18 x 6 Gr. 5
51	15760512	Screw Mach. Hex Hd. 5/16-18 x 3/4

*STANDARD HARDWARE--PURCHASE LOCALLY

NOTE: All component dimensions given in U.S. inches.
1 inch = 25.4 mm.

 **Electrolux**

02480