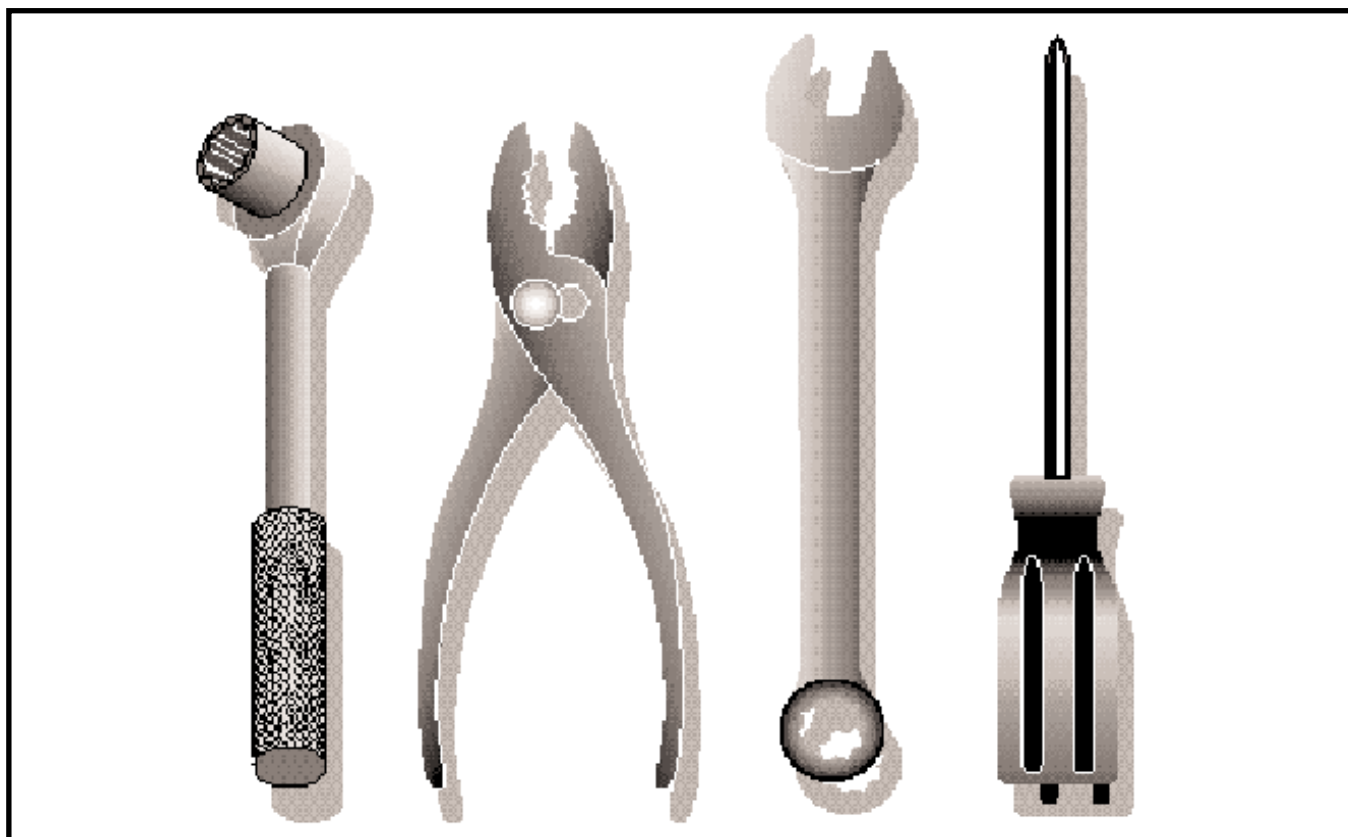


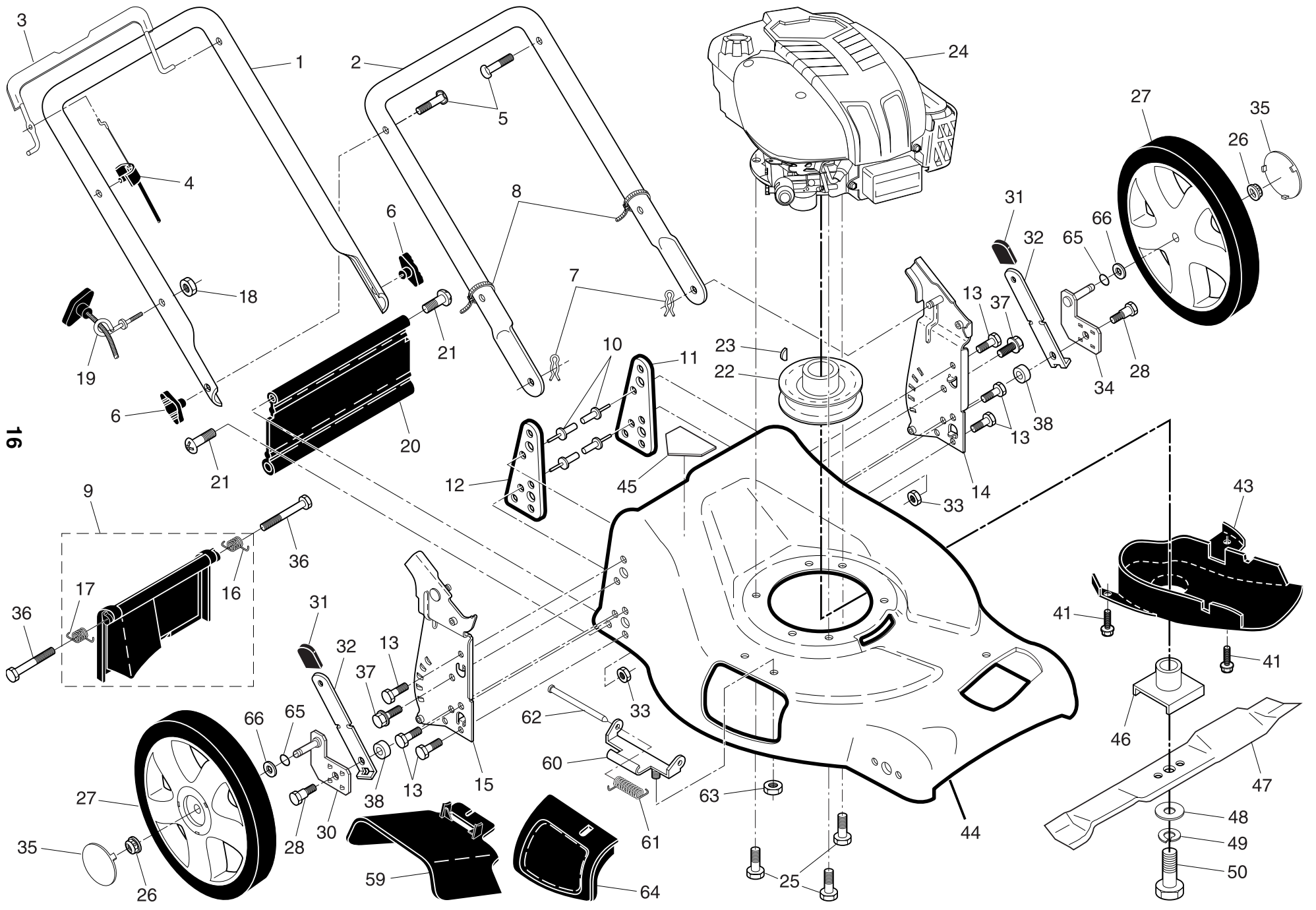
Walk Mower

7021CH1 B

954224095



ROTARY LAWN MOWER - - MODEL NUMBER 7021CH1 (7021CH1B) - PRODUCT NUMBER 954 22 40-95



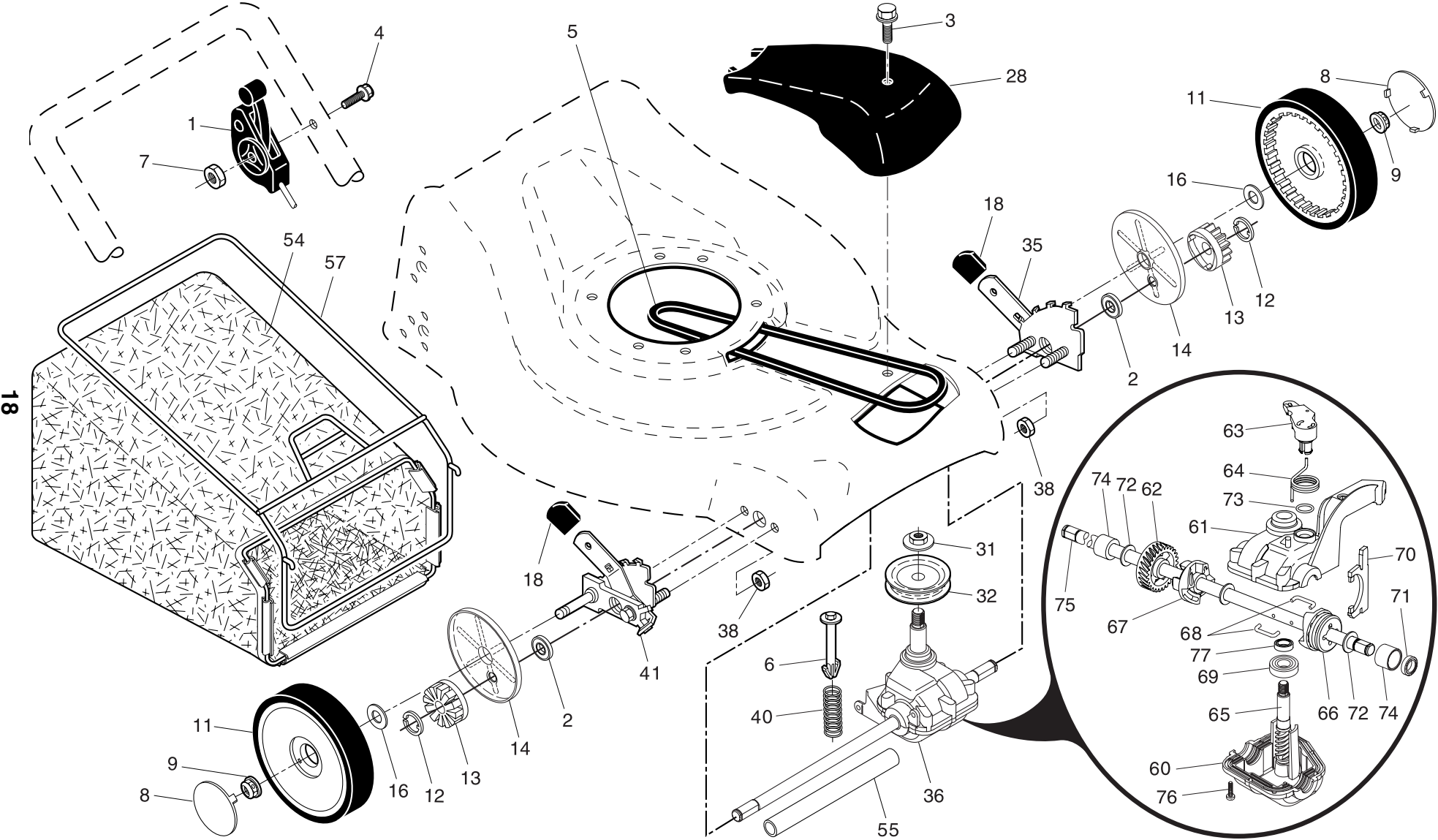
ROTARY LAWN MOWER - - MODEL NUMBER 7021CH1 (7021CH1B) - PRODUCT NUMBER 954 22 40-95

17

KEY NO.	PART NO.	DESCRIPTION	KEY NO.	PART NO.	DESCRIPTION
1	532 19 25-18	Upper Handle	31	532 18 55-75	Selector Knob
2	532 15 34-18	Lower Handle	32	532 18 25-37	Selector Spring
3	532 18 55-78	Control Bar	33	873 80 05-00	Locknut
4	532 18 27-55	Engine Zone Control Cable	34	532 18 25-42	Axle Arm Assembly, Rear, LH
5	532 13 19-59	Handle Bolt	35	532 18 55-73	Hubcap
6	532 18 55-77	Handle Knob	36	532 18 41-93	Bolt
7	532 05 17-93	Hairpin Cotter	37	532 15 00-78	Thread Cutting Screw w/Sems 5/16-18 x 3/4
8	532 06 64-26	Wire Tie	38	532 18 39-01	Washer
9	532 18 04-79	Kit, Rear Door (Includes Key #16 and 17)	41	532 19 23-25	Screw, Debris Shield
10	532 12 84-15	Pop Rivet	43	532 17 50-83	Debris Shield
11	532 18 25-38	Support Bracket, LH	44	532 18 55-83	Kit, Lawn Mower Housing (Includes Key Numbers 10, 11, 12 and 45)
12	532 18 25-39	Support Bracket, RH	45	532 10 73-39	Danger Decal
13	817 06 04-10	Screw 1/4-20 x 5/8	46	532 18 45-90	Blade Adapter
14	532 18 25-43	Handle Bracket Assembly, LH	47	532 18 90-28	Blade, 21"
15	532 18 25-45	Handle Bracket Assembly, RH	48	532 85 10-74	Hardened Washer
16	532 18 00-71	Spring, Rear Door, LH	49	532 85 02-63	Helical Washer 3/8
17	532 18 00-72	Spring, Rear Door, RH	50	532 85 10-84	Hex Head Machine Screw 3/8-24 x 1-3/8 Grade 8
18	532 13 20-04	Nut, Hex	59	532 18 55-82	Discharge Deflector
19	532 17 95-85	Rope Guide	60	532 17 57-35	Hinge Bracket Assembly
20	532 18 90-05	Rear Skirt	61	532 17 52-85	Spring
21	532 08 86-52	Hinge Screw 1/4-20 x 1-1/4	62	532 17 56-50	Rod, Hinge
22	532 18 49-41	Engine Pulley	63	873 80 04-00	Locknut, Hex
23	532 18 77-23	Hi-Pro Key	64	532 18 55-76	Mulcher Door
24	- - -	Engine, Briggs & Stratton, Model Number 12H602 (For engine service and replacement parts, call Briggs & Stratton at 1-800-233-3723)	65	532 18 81-52	O-Ring
25	532 15 04-06	Screw, Hex Head, Threaded, Rolled 3/8-16 x 1-1/8	66	532 08 83-48	Washer, Flat 3/8
26	532 08 39-23	Nut, Hex, Flanged	--	532 16 23-00	Warning Decal (not shown)
27	532 18 55-72	Wheel Assembly, Rear	--	532 19 04-66	Owner's Manual, English/French
28	532 16 08-28	Shoulder Bolt 5/16-18 x .33			
30	532 18 25-41	Axle Arm Assembly, Rear, RH			

NOTE: All component dimensions given in U.S. inches.
1 inch = 25.4 mm

ROTARY LAWN MOWER - - MODEL NUMBER 7021CH1 (7021CH1B) - PRODUCT NUMBER 954 22 40-95



ROTARY LAWN MOWER - - MODEL NUMBER 7021CH1 (7021CH1B) - PRODUCT NUMBER 954 22 40-95

KEY NO.	PART NO.	DESCRIPTION
1	532 18 45-88	Drive Control Assembly
2	532 16 99-11	Bearing, Wheel Adjuster
3	532 17 52-62	Pan Head Tapping Screw #10-24 x 2-3/4
4	532 15 87-55	Screw
5	532 17 54-36	V-Belt
6	532 15 04-95	Retainer, Spring
7	532 19 17-30	Nut, Hex, Flanged 1/4-20
8	532 18 06-26	Hubcap
9	532 14 52-12	Locknut
11	532 18 07-67	Wheel & Tire Assembly
12	812 00 00-58	E-Ring
13	532 13 70-54	Pinion
14	532 18 05-04	Dust Cover
16	532 06 77-25	Washer 1/2
18	532 18 55-74	Selector Knob
28	532 18 55-79	Drive Cover
31	532 13 20-10	Hex Flange Nut
32	532 18 94-07	Pulley, Drive
35	532 15 15-21	Kit, Wheel Adjuster, LH (Includes Knob and Bearing)
36	532 18 01-84	Gear Case Assembly, Complete
38	873 80 04-00	Locknut 1/4-20
40	532 13 70-90	Spring, Tension
41	532 15 15-20	Kit, Wheel Adjuster, RH (Includes Knob and Bearing)

KEY NO.	PART NO.	DESCRIPTION
54	532 18 97-65	Grassbag Assembly
55	532 17 57-39	Driveshaft Cover
57	532 18 88-15	Frame, Grassbag
60	532 18 34-97 *	Case, Lower
61	532 18 34-98 *	Case, Upper
62	532 18 34-99	Gear, 27 Teeth
63	532 18 35-00	Lever, Clutch
64	532 18 35-01	Spring, Return
65	532 18 35-02	Shaft, Input
66	532 18 35-03	Dog, Movable
67	532 18 35-04	Dog, Fixed
68	532 18 35-05	Wire, Formed
69	532 18 35-06	Bearing, Ball
70	532 18 35-07	Fork, Shift
71	532 18 35-08	Seal, Output Shaft
72	532 18 35-09	Washer
73	532 18 35-10	Seal, Case
74	532 18 35-11	Bushing
75	532 18 35-12	Shaft, Output
76	532 18 35-13	Screw
77	532 18 35-14	Seal, Input Shaft

* Use Dow Corning #709 to reseal Gear Case Halves.

NOTE: All component dimensions given in U.S. inches.
1 inch = 25.4 mm