

## Parts Manual

**Model:**  
**968999239**  
**SG13A / CE**

©2004 Husqvarna.  
All Rights Reserved.  
Printed Beatrice, Nebraska

---

# TABLE OF CONTENTS

---

## Stump Grinder SG13A

Deck Assembly .....	4
Upper Handle Bar .....	6
Belt Cover .....	8
Shroud & Blade Assembly .....	10
Decals .....	12
Wiring Diagram & Wire Harness.....	14



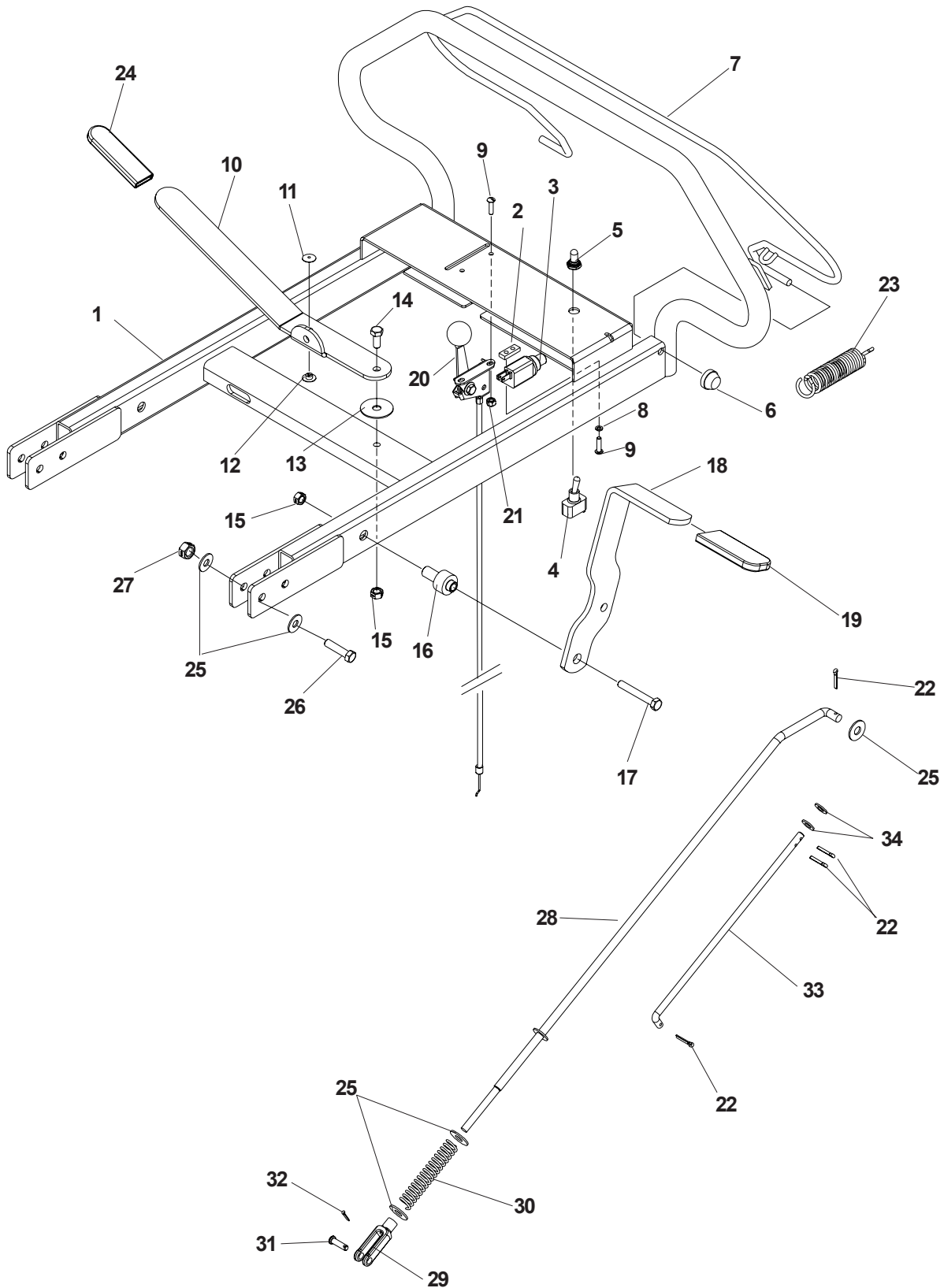
---

## DECK ASSEMBLY

---

ITEM	PART NO.	QTY.	DESCRIPTION
1	539109316	1	DECK
2	540020221	2	BRACKET, KIT (INCLUDES ONE BRACKET & HARDWARE)
3	539109321	1	HANDLE, LOWER
4	540020024	1	BRAKE, CALIPER
5	540108649	1	BRACKET, HANDLE POSTIONING
6	540020082	2	PIN, HANDLE ADJUSTMENT
7	539109283	1	FENDER
8	539990563	4	HCS 3/8-16 X 1, GR5
9	539990546	8	NUT 3/8-16, CENTER LOCK
10	539990517	9	WASHER, 3/8, FLAT
11	539976934	14	HCS 5/16-18 X 3/4, GR5
12	539990184	14	NUT 5/16-18, CENTER LOCK
13	539020094	1	DEFLECTOR, NEOPRENE, REAR
14	539200781	1	STRAP, DEFLECTOR
15	540020084	1	DEFLECTOR, SIDE, NEOPRENE
16	540020074	1	WHEEL W/DISC, 12" SNOW HOG
17	540020085	1	AXLE
18	540020025	1	WHEEL, 12" SNOW HOG
19	540020028	2	SET COLLAR, 3/4" BORE
20	539990761	3	NUT 1/4-20, CENTER LOCK
21	539100266	1	HCS 1/4-20 X 1 1/4, GR5
22	539990052	2	LOCKWASHER, 1/4
23	539990598	6	WASHER, 1/4, FLAT
24	539990580	2	HCS 1/4-20 X 3/4, GR5
25	539109389	2	HCS 3/8-16 X 3 1/2, GR5
26	539990130	2	NUT 3/8-16
27	539020020	1	CLUTCH, CENTRIFUGAL, 2-GROOVE
	539110762	1	KIT, SNAP RINGS & BEARINGS (NOT SHOWN)
	539110763	1	KIT, CLUTCH SHOES & SPRINGS (NOT SHOWN)
28	539917033	1	KEY, 1/4 SQ X 2 1/2"
29	539990164	1	HCS 3/8-24 X 1 1/2, GR5
30	539000427	1	WASHER 1/2, FLAT
31	539990118	5	LOCK WASHER, 3/8
32	539990365	2	COTTER PIN
33	539990250	2	WASHER 1/2, SAE FLAT
34	539990923	4	RHSNB 3/8-16 X 1 3/4, GR5
35	540020092	1	DEFLECTOR, EXHAUST
36	539108495	3	SCREW #8-32 X 3/8, SELF TAP, PHIL
37	539990692	9	WASHER 5/16, FLAT
38	540020034	2	SPRING, COMPRESSION

# UPPER HANDLE BAR



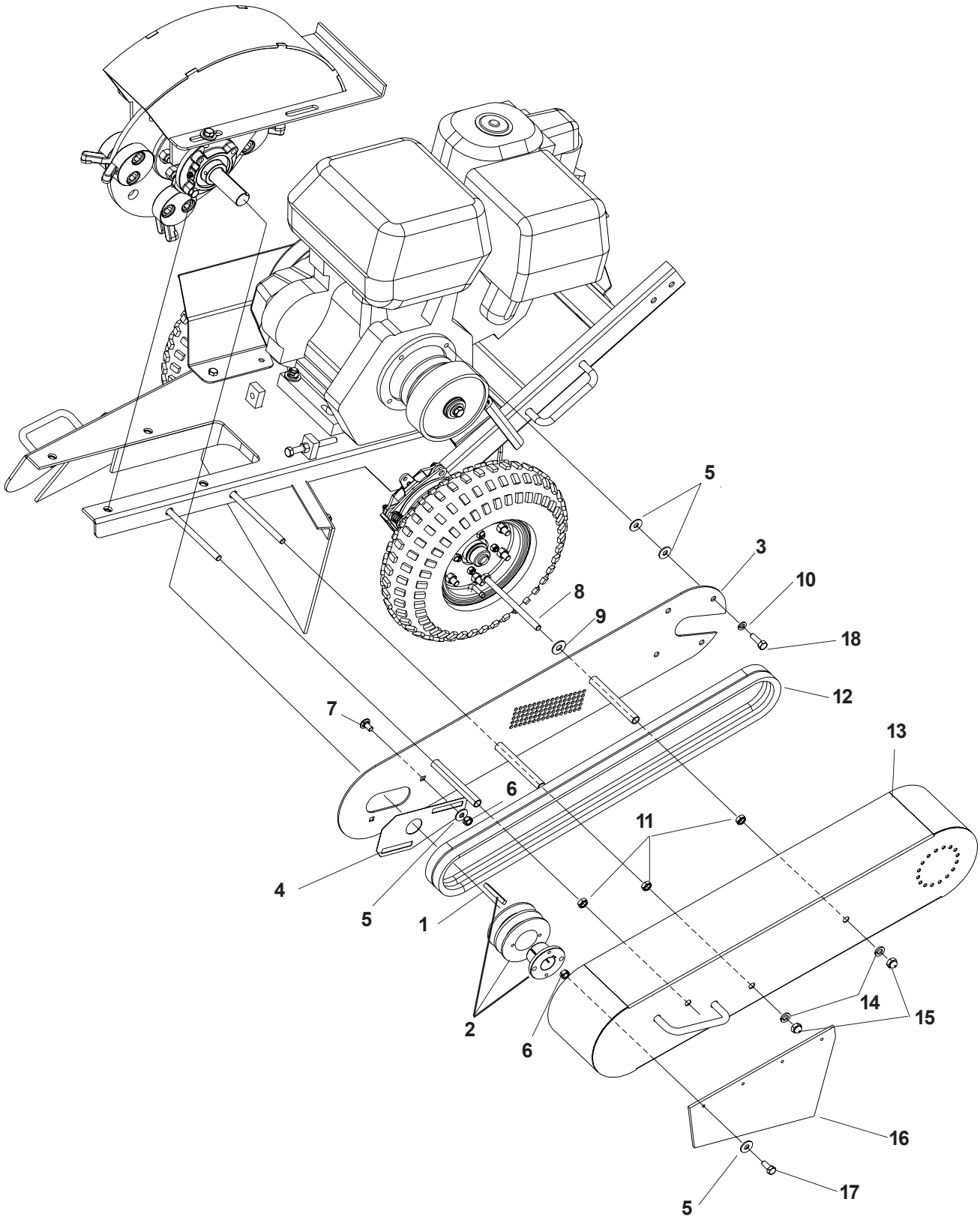
---

## UPPER HANDLE BAR

---

ITEM	PART NO.	QTY.	DESCRIPTION
1	539109951	1	HANDLE W/DECAL, UPPER
2	539102678	1	PLATE, TAPPED
3	540020017	1	SWITCH, NC PLUNGER TYPE
4	540020016	1	SWITCH, TOGGLE
5	539020041	1	BOOT, TOGGLE SWITCH
6	539108792	2	NUT 5/16, PUSH CAP
7	540020201	1	BAIL KIT (ALSO INCLUDES ITEM 6 & 23)
8	539107360	2	LOCKWASHER 5/16
9	539108535	4	SCREW #10-24 X 3/4, SLTD RD
10	540108647	1	HANDLE, POSITION ADJ.
11	540109089	1	RIVET, SNAP-MALE HALF
12	540109090	1	RIVET, SNAP-FEMALE HALF
13	539102998	1	WASHER, FRICTION
14	539976934	1	HCS 5/16-18 X 3/4, GR5
15	539990184	2	NUT 5/16C, CENTER LOCK
16	540109279	1	BUSHING
17	539976938	1	HCS 5/16-18 X 2 1/4, GR5
18	540108995	1	HANDLE, WHEEL BRAKE
19	540108996	1	GRIP, PARK BRAKE
20	539020023	1	THROTTLE CONTROL W/KNOB
21	539976977	2	NUT #10-24, NYLOC
22	539990365	4	COTTER PIN
23	540020035	1	SPRING
24	539110865	1	GRIP, BLACK VINYL
25	539990517	11	WASHER 3/8, FLAT
26	539990588	4	HCS 3/8-16 X 2, GR5
27	539990546	4	NUT 3/8C, CENTER LOCK
28	539108992	1	ROD, PARK BRAKE
29	539976481	1	YOKE, 3/8F
30	539100102	1	SPRING, COMPRESSION
31	539108975	1	PIN, CLEVIS 1/4 X 7/8
32	539976988	1	PIN, HAIR, 5/64 X 1 7/16
33	539108648	1	ROD, POSITION ADJUSTMENT
34	539990188	2	WASHER 5/16, SAE FLAT

# BELT COVER





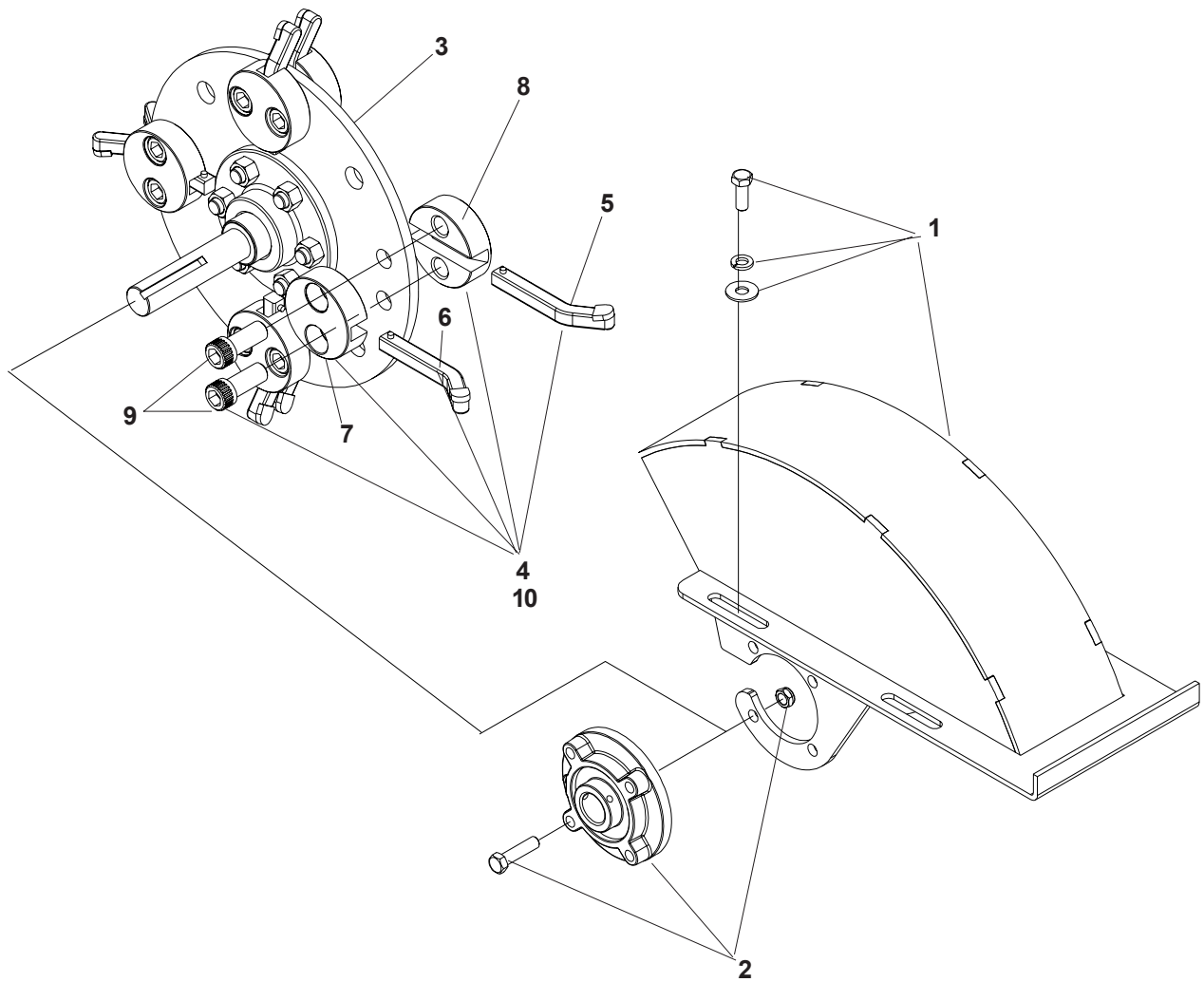
---

## BELT COVER

---

ITEM	PART NO.	QTY.	DESCRIPTION
1	539910210	1	KEY 1/4 SQ X 2
2	539111401	1	PULLEY, TAPERLOCK, 2V
3	540020213	1	BELT GUARD BACK
4	539108213	1	PLATE, COVER
5	539990692	14	WASHER 5/16, FLAT
6	539990184	6	NUT 5/16C, CENTER LOCK
7	539990799	2	RHSNB 5/16-18 X 5/8, GR5
8	539108505	1	HCS 3/8-16 X 5 1/2, GR5
9	539990517	1	WASHER 3/8 FLAT
10	539990187	4	LOCKWASHER 3/8
11	539109332	3	NUT 3/8-16, JAM
12	539200751	1	V-BELT, "B" SECT. SET OF 2
13	540020212	1	COVER, BELT GUARD
14	539990118	3	LOCKWASHER 3/8
15	539108746	3	NUT 3/8-16, ACORN
16	540020089	1	DEFLECTOR, NEOPRENE, LEFT SIDE
17	539976934	4	HCS 5/16-18 X 3/4, GR5
18	539108398	4	HCS 5/16-24 X 1, GR5

# SHROUD AND BLADE ASSEMBLY



---

## SHROUD AND BLADE ASSEMBLY

---

ITEM	PART NO.	QTY.	DESCRIPTION
1	540020225	1	KIT, CUTTING WHEEL SHROUD (includes)
			SHROUD W/DECAL
			BOLT, 3/8-16 X 1 (4 EA)
			LOCKWASHER 3/8 (4 EA)
			WASHER 3/8, FLAT (4 EA)
2	539020226	1	BEARING, FLANGE (includes)
			BEARING (1 EA)
			BOLT 3/8-16 X 1 3/4 (4 EA)
			NUT 3/8, LOCK (4 EA)
3	539020227	1	CUTTING WHEEL ASSEMBLY (NO TEETH)
4	540020228	1	COMPLET SET OF CUTTING TEETH (includes)
			COUNTER BORE POCKET (4 EA)
			THREADED POCKETS (4 EA)
			LEFT TOOTH (4 EA)
			RIGHT TOOTH (4 EA)
			SOCKET HEAD SCREWS (8 EA)
5	540020229	1	RIGHT TOOTH
6	540020230	1	LEFT TOOTH
7	540020231	1	COUNTER BORE POCKET
8	540020232	1	THREADED POCKET
9	540020233	1	SOCKET HEAD SCREW (2 EA)
			TWO SCREWS ARE REQUIRED PER POCKET
10	539200752	1	CUTTING TEETH, COMPLETE (includes)
			RIGHT TOOTH (4 EA)
			LEFT TOOTH (4 EA)



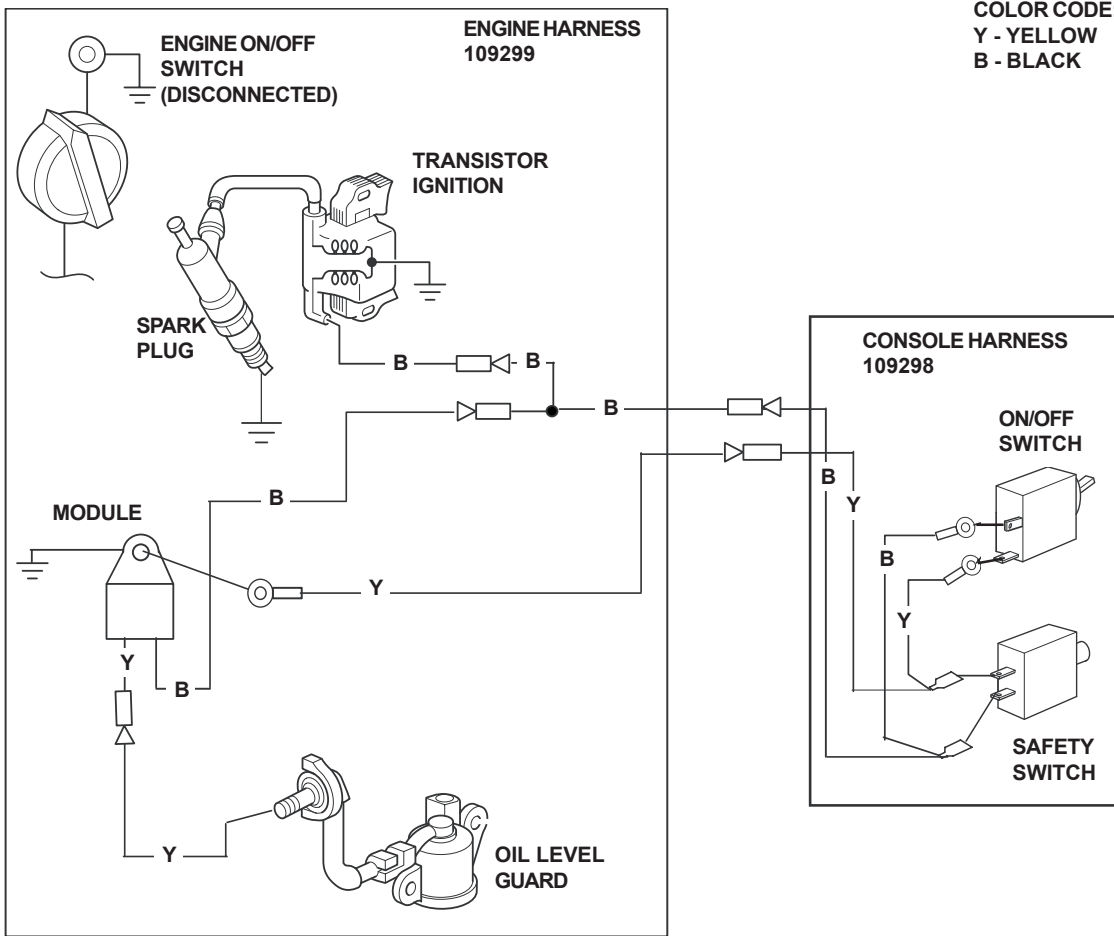
---

## DECALS

---

ITEM	PART NO.	QTY.	DESCRIPTION
1	539104790	1	DECAL, LOGO HUSQVARNA
2	539104789	1	DECAL, CROWN
3	540200830	1	DECAL, ON/OFF
4	540108987	1	DECAL, HANDLE ADJUSTMENT
5	539105743	1	DECAL, NO STEP
6	539109341	1	DECAL, SG13A STUMP GRINDER
7	539101881	1	DECAL, PROP 65
8	540008369	1	DECAL, DANGER FOOT
9	540200829	1	DECAL, THROTTLE
10	540200126	1	DECAL, EAR AND EYE WARNING
11	540200027	1	DECAL, CAUTION LIST
12	539109702	1	DECAL, CE968999239
13	539105071	1	DECAL, NASCAR
14	540200762	1	DECAL, 107DBA SOUND POWER
15	539110590	1	DECAL, OPN STUMP GRINDER

# WIRING DIAGRAM





 **Husqvarna**