

Husqvarna



Parts manual

Models:

AR19/968982102

AR19B/968999277

AR19B/968999358

AR19H/968999363

AR25H/968981104

AR25/968982105

Index

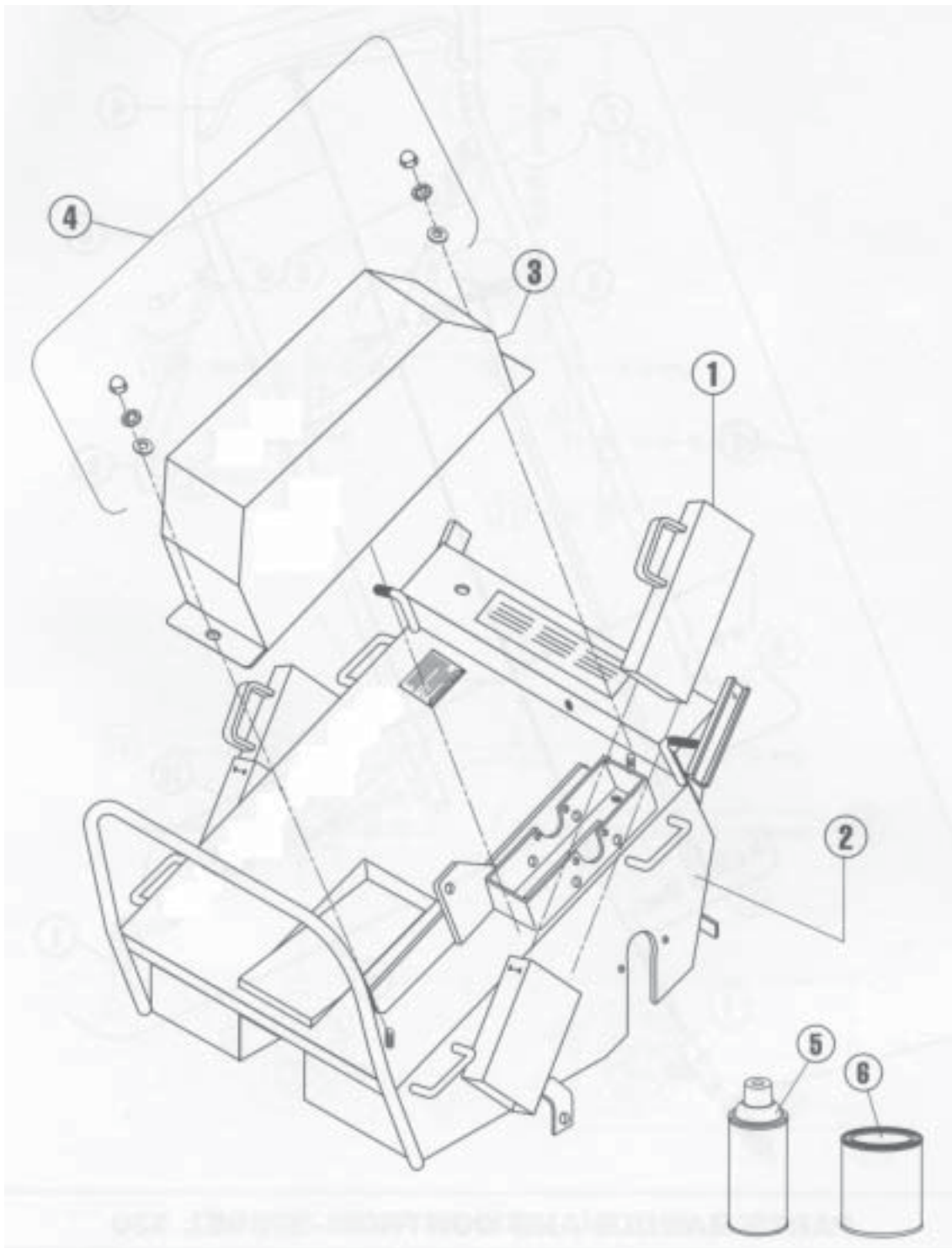
Replacement Parts List

Page

Unit Assembly and Parts Diagrams

Main Frame - Model AR19	3
Handle and Control - Model AR19	4
Rear Wheel Model - AR19	5
Power Train and Tine Rotor - Model AR19	6
Main Frame - Model AR25	8
Handle and Control - Model AR25	9
Rear Wheel - Model AR25	10
Power Train and Tine Rotor - Model AR25	12

MAIN FRAME - MODEL AR19

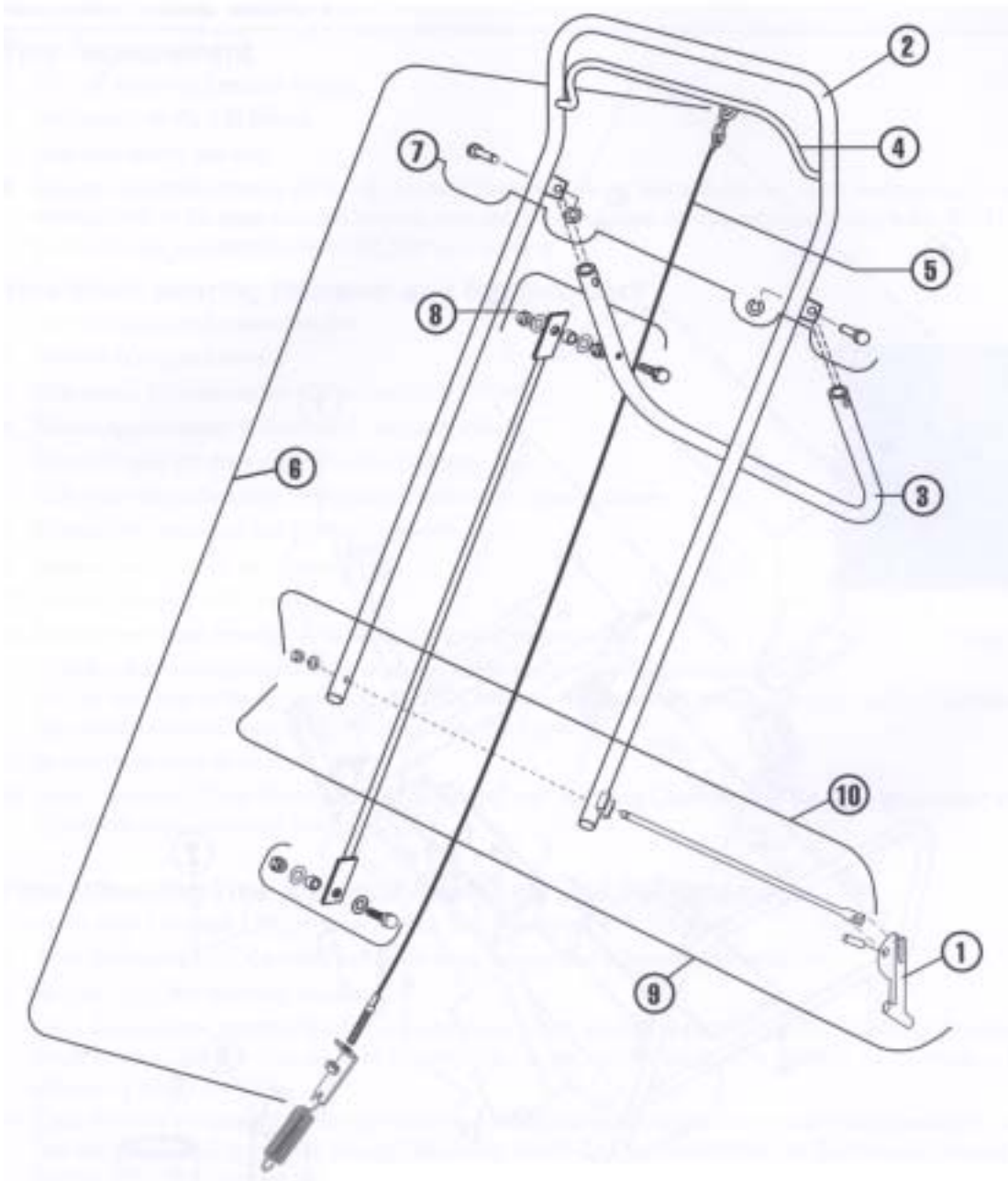


ITEM PART NO.

DESCRIPTION

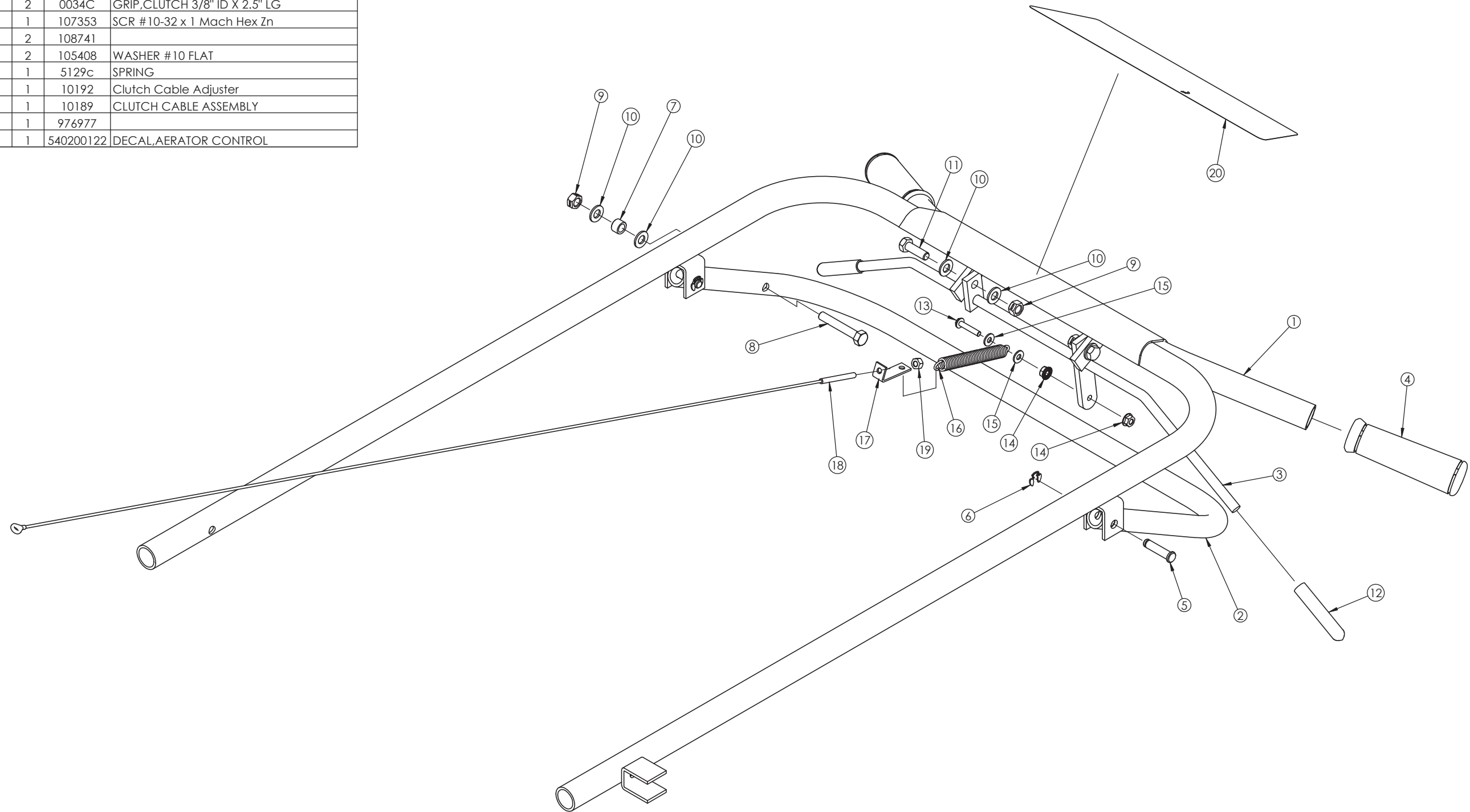
- 1 540007600 Weight, 36 lbs., solid steel
- 2 540007601 Housing with decals
- 3 540007602 Drive guard with decals
- 4 540007200 Drive guard fastener kit
- 5 540000732 Paint, orange, 12.5 oz. can
- 6 540000729 Paint, orange, 1qt. can
- 7 540007603 Decal kit, AR19

HANDLE AND CONTROL - MODEL AR19

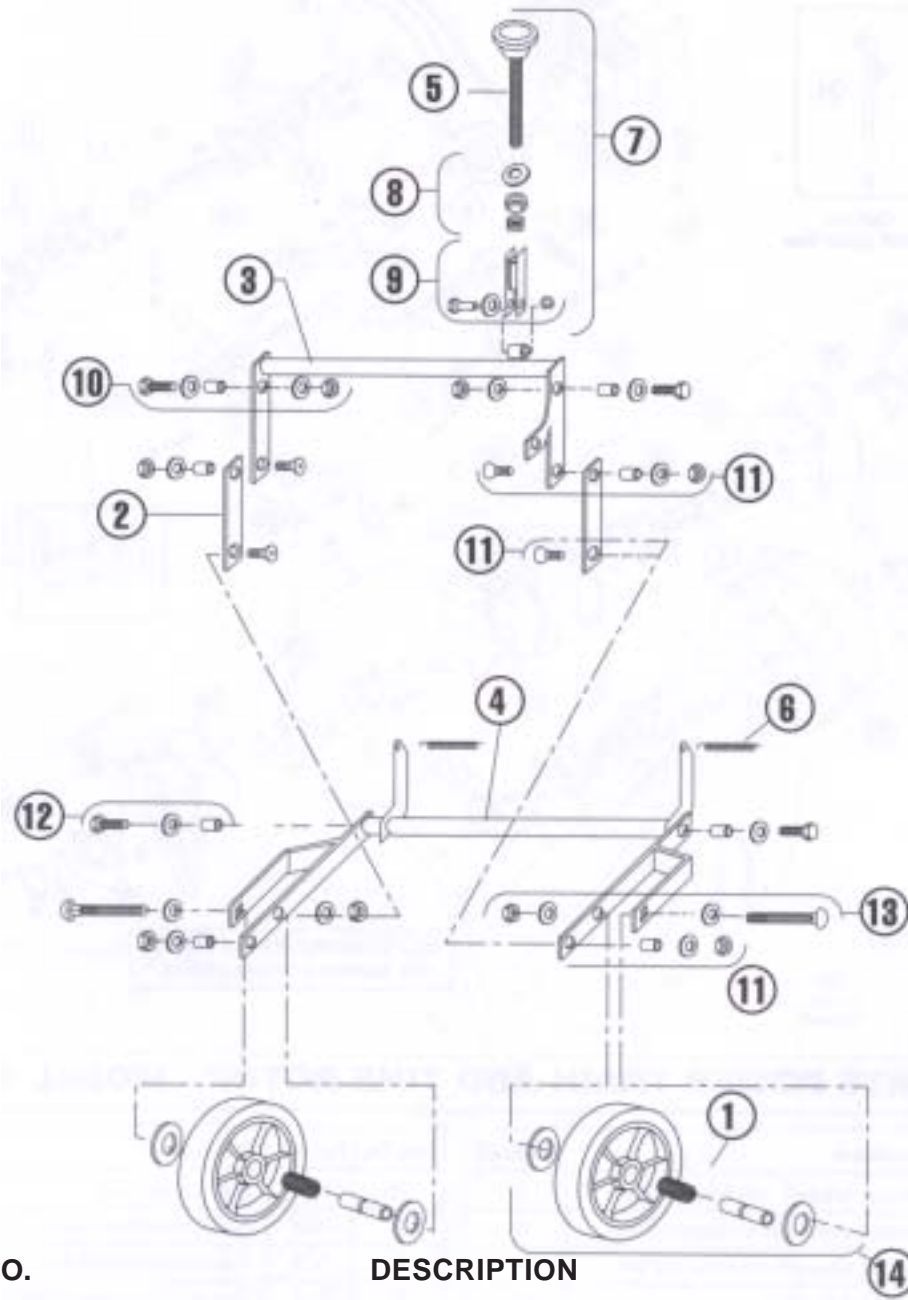


ITEM	PART NO.	DESCRIPTION
1	540005256	Cam, locking
2	540007610	Handle
3	540007611	Handle, control, rear wheel
4	540007612	Bail
5	540007189	Clutch cable
6	540007222	Clutch cable kit complete assembly except 540005129
7	540007223	Pin kit, rear wheel control handle
8	540007224	Control rod kit, rear wheel
9	540007613	Cam rod kit, with cam
10	540007614	Cam rod kit, without cam

ITEM NO.	QTY.	PART NO.	DESCRIPTION
1	1	111598	HANDLE AY,AR19 DARK GRAY
2	1	540200253	LOWER HANDLE,AERATOR DARK GRAY
3	1	540200168	BAIL AERATOR CLUTCH
4	2	0033C	GRIP,HANDLE 1" ID-BLACK
5	2	03895	CLEVIS PIN, 5/16 x 1.174
6	2	109303	RING RETAINING EXT 5/16
7	1	10191	Bshg .334 id x .5 od x .5/16 Lg
8	1	108395	Hcs 5/16-18 x 2 Tpbllt Gr5 Zd
9	4	990184	
10	6	990188	WASHER, 5/16 SAE FLT ZD
11	2	990209	
12	2	0034C	GRIP,CLUTCH 3/8" ID X 2.5" LG
13	1	107353	SCR #10-32 x 1 Mach Hex Zn
14	2	108741	
15	2	105408	WASHER #10 FLAT
16	1	5129c	SPRING
17	1	10192	Clutch Cable Adjuster
18	1	10189	CLUTCH CABLE ASSEMBLY
19	1	976977	
20	1	540200122	DECAL,AERATOR CONTROL

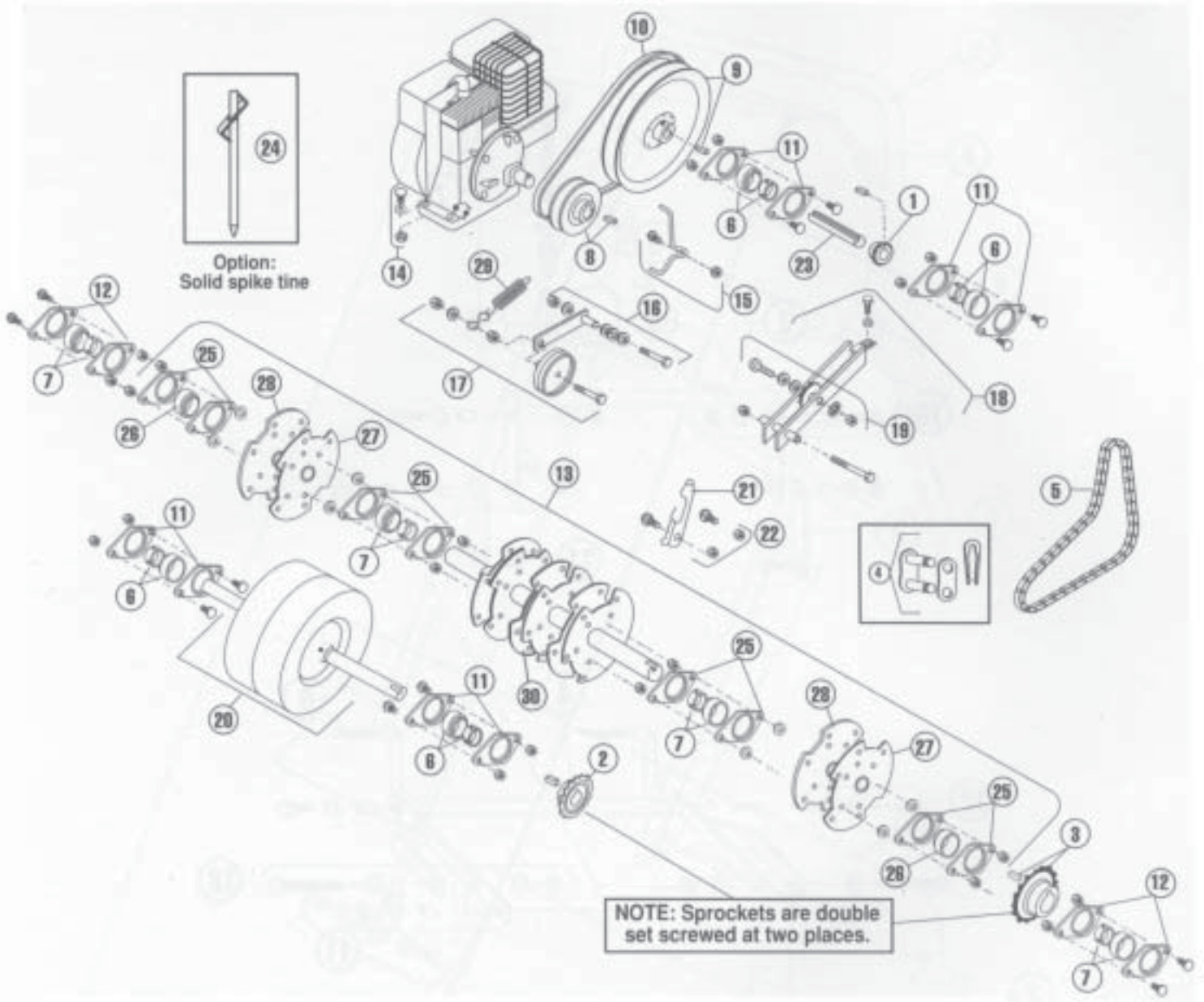


REAR WHEEL - MODEL AR19



ITEM	PART NO.	DESCRIPTION
1	540000048	Bearing, roller with bushing and seals
2	540007107	Lift link
3	540007133	Torque arm, depth adjustment
4	540007620	Wheel carriage, axle
5	540007163	Knob, depth/stability
6	540007195	Spring, axle
7	540007213	Control kit, depth/stability
8	540007214	Knob spring kit, depth/stability
9	540007215	Bracket kit, depth/stability
10	540007216	Fastener kit, torque arm/housing
11	540007217	Fastener kit, linkage
12	540007218	Fastener kit carriage/housing
13	540007621	Bolt kit, rear wheel
14	540007220	Wheel kit, rear, with roller bearing, bushing and seals

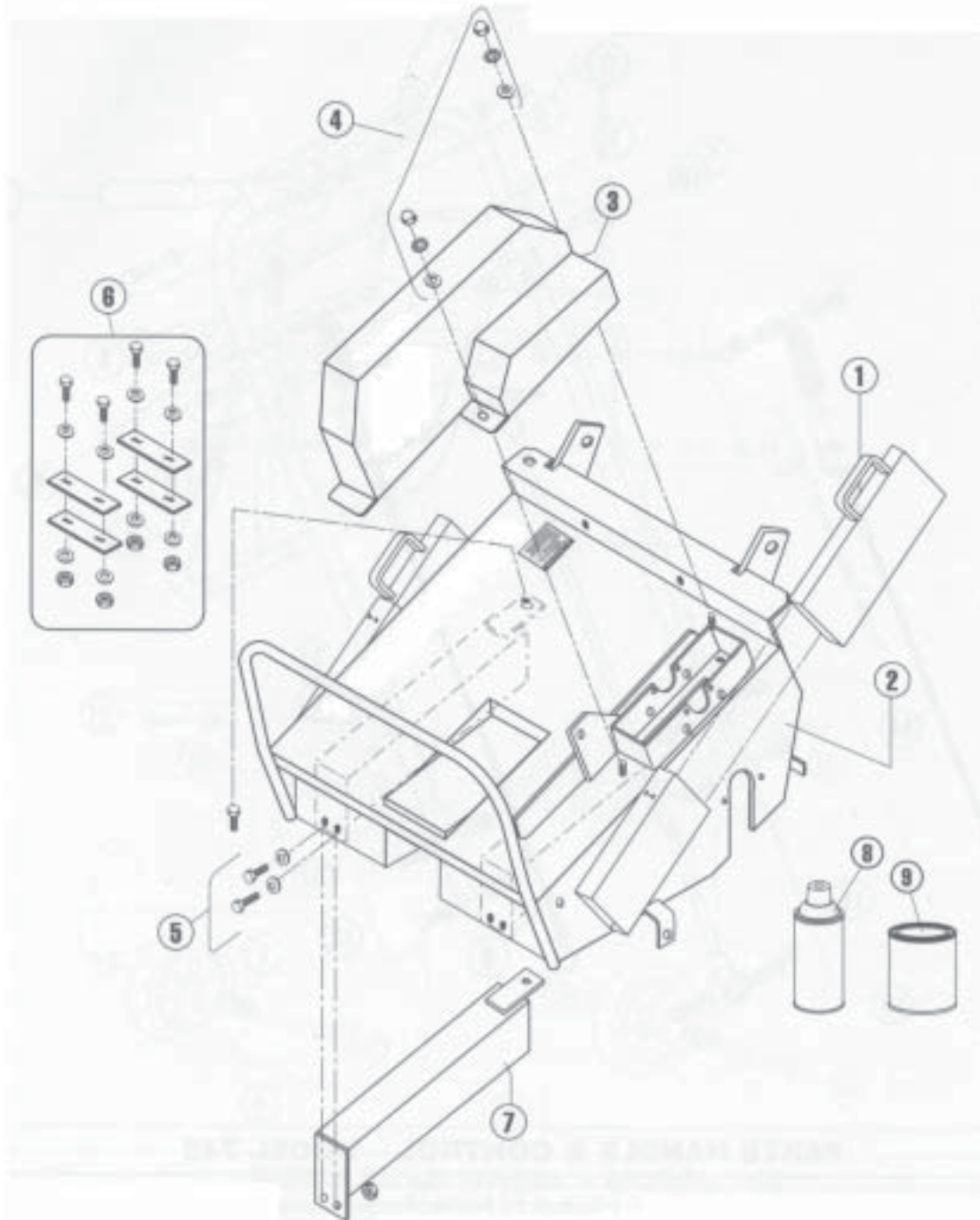
POWER TRAIN AND TINE ROTOR - MODEL AR19



POWER TRAIN AND TINE ROTOR - MODEL AR19

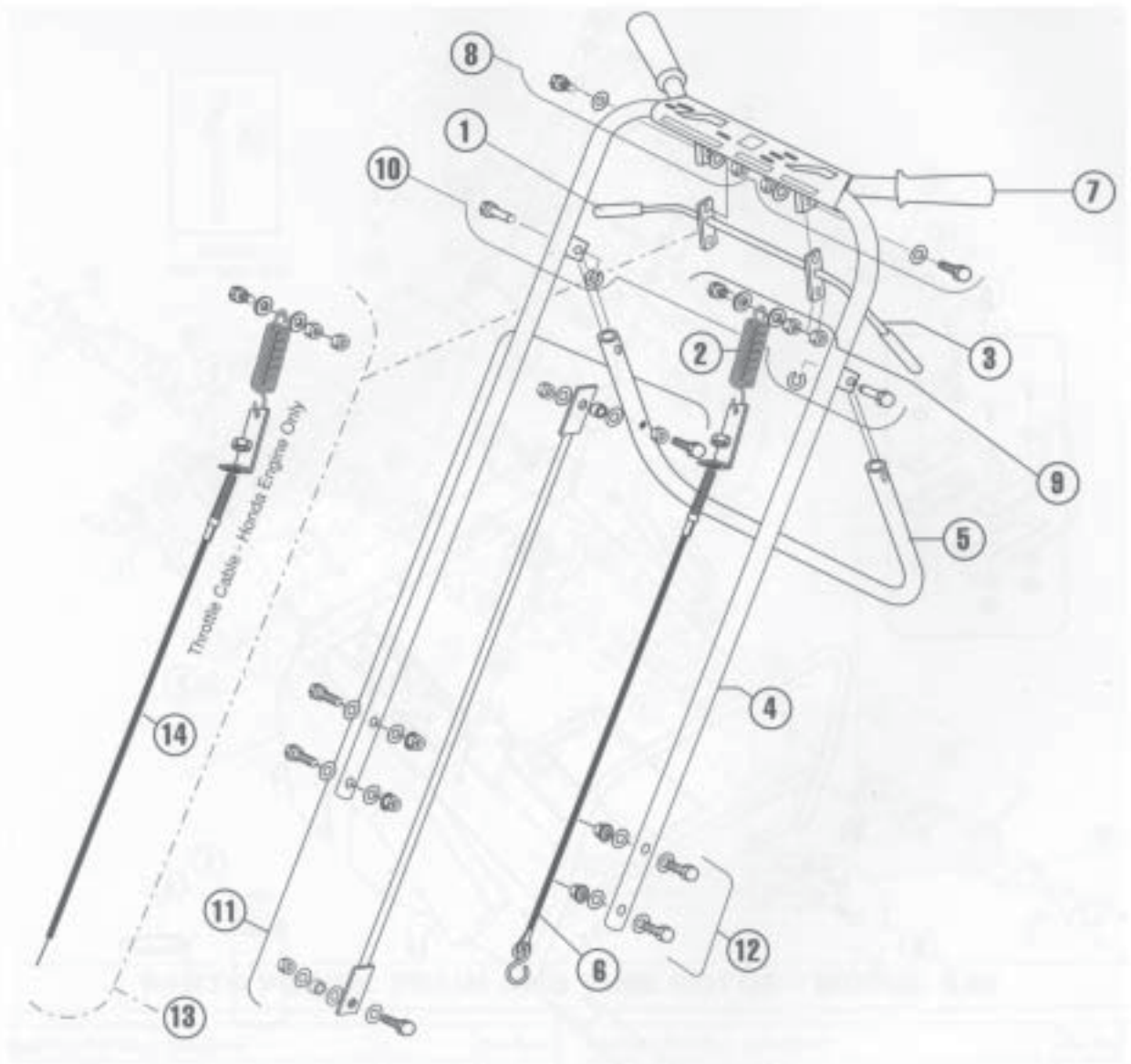
ITEM	PART NO.	DESCRIPTION
1	540007630	Sprocket, jackshaft, with key and spacer
2	540000302	Sprocket, wheel, with set screws and key
3	540000303	Sprocket, rotor, with set screws and key
4	540000307	Master link for 540000308
5	540000308	Chain, #40 perma lube roller
6	540000315	Bearing, 3/4" with lock collar
7	540000317	Bearing, 1" with lock collar
8	540000328	V-pulley, A-4" with set screws and key
9	540000332	V-pulley, A-10" with set screws and key
10	540000336	V-belt, A-44" special
11	540005185	Stamping kit w/fasteners (for 3/4" bearing)
12	540005786	Stamping kit w/fasteners (for 1" bearing)
13	540007631	Rotor shaft, tine without bolts
14	540007204	Fastener kit, engine
15	540007205	Belt keeper kit
16	540007206	Idler arm kit, pulley
17	540007632	Idler pulley kit
18	540007633	Idler arm kit, chain
19	540007634	Idler sprocket kit, chain
20	540007635	Front wheel and shaft kit
21	540007636	Tine set, closed spoon, 30 each
	540007112	Tine set, closed spoon, 6 each
22	540007637	Tine/spike fastener kit, 72 ea. bolts and nuts
	540007103	Tine/spike fastener kit, 12 ea. bolts and nuts
23	540007232	Jackshaft, with key
24	540007638	Spike set, 30 each
25	540007105	Stamping kit, w/nuts and washers (for 1" bearing)
26	540007108	Bearing 1" (does not include lock collar)
27	540007639	Left rotor plate
28	540007640	Right rotor plate
29	540005129	Spring clutch
30	540007641	Rotor shaft, center

MAIN FRAME - MODEL AR25



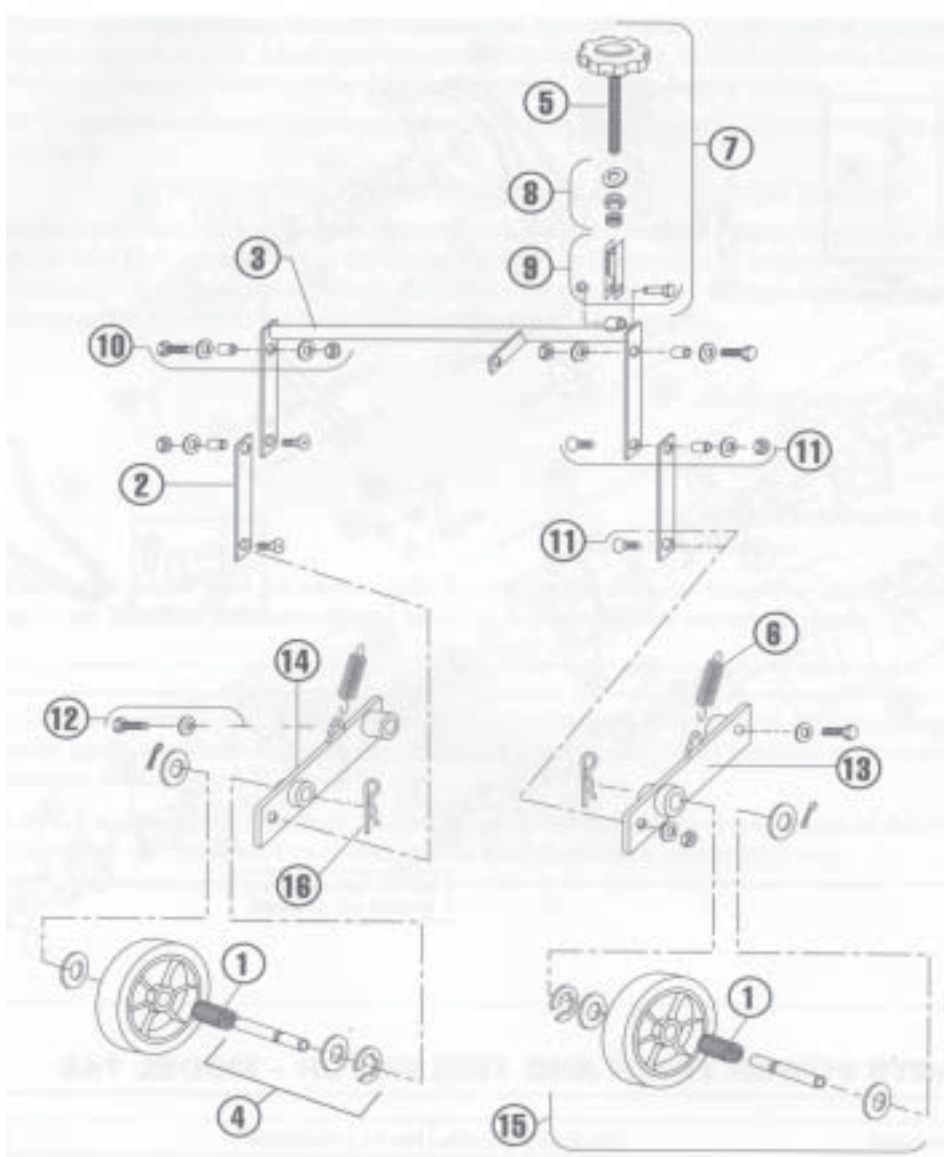
ITEM	PART NO.	DESCRIPTION
1	540007600	Weight, 36 lbs., solid steel, removable
2	540007400	Housing with decals
3	540007401	Drive guard with decals
4	540007200	Drive guard fastener kit
5	540007402	Fastener kit, weight
6	540007203	Plate kit, for Honda engine
7	540007403	36 lb. weight, mounted
8	540000732	Paint, orange, 12.5 oz. can
9	540000729	Paint, orange, 1qt. can
10	540007404	Decal kit, AR25

HANDLE AND CONTROL - MODEL AR25



ITEM	PART NO.	DESCRIPTION
1	540000034	Grip, clutch
2	540005129	Spring, clutch
3	540007149	Clutch control, with grips
	540007405	Clutch/throttle control, Honda engines only
4	540007406	Handle with grips
5	540007174	Handle, control, rear wheel
6	540007189	Clutch cable
7	540007191	Grips, pair
8	540007221	Fastener kit, clutch control to handle
9	540007222	Clutch cable kit (complete assembly, except 540005129)
10	540007223	Pin kit, rear wheel control handle
11	540007224	Rear wheel control rod kit
12	540007117	Fastener kit, handle
13	540007407	Throttle cable kit - Honda engine only (complete assembly except 540005129)
14	540007408	Throttle cable

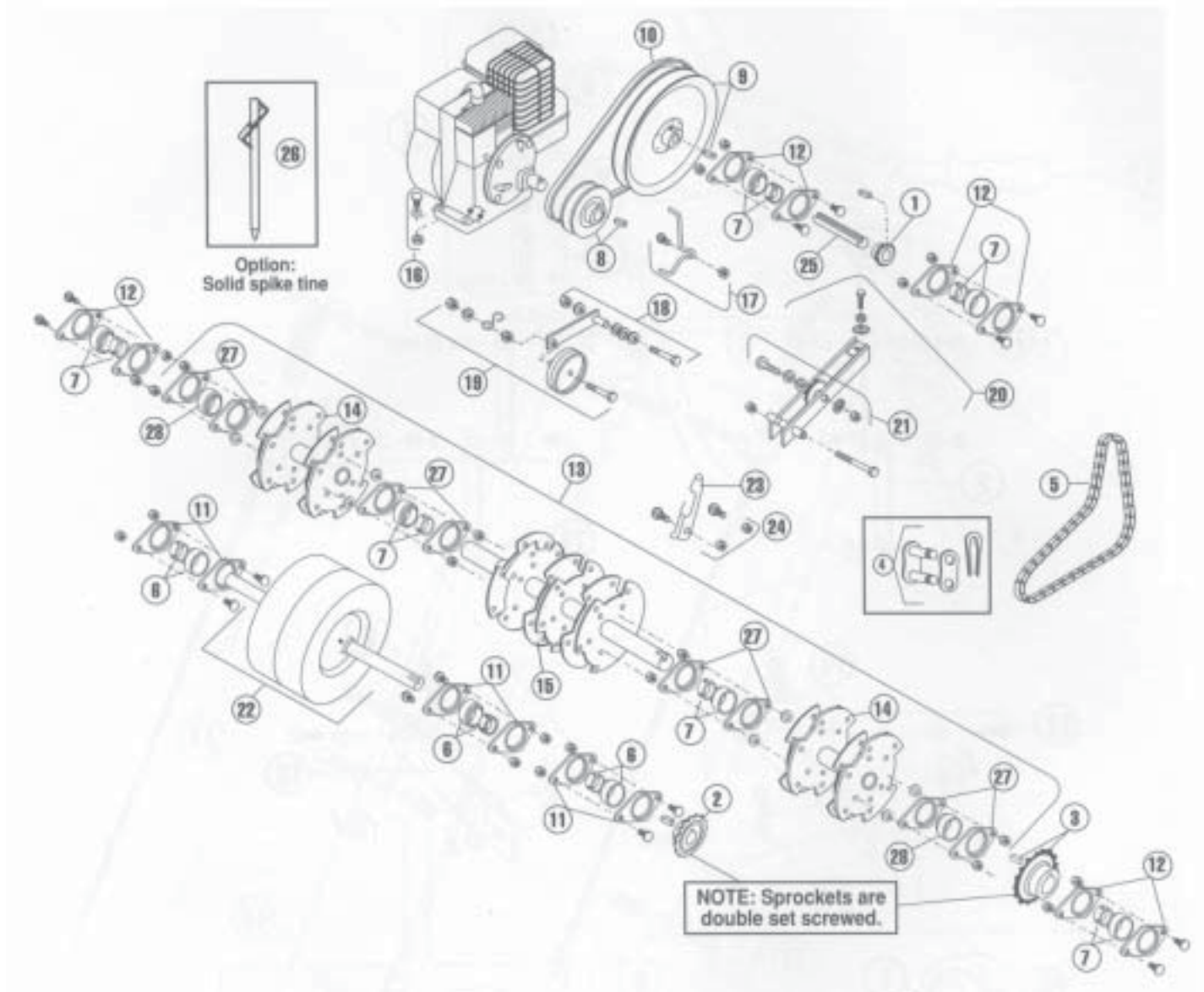
REAR WHEEL - MODEL AR25



REAR WHEEL - MODEL AR25

ITEM	PART NO.	DESCRIPTION
1	540007409	Bearing, roller with seals
2	540007107	Lift link
3	540007119	Torque arm, depth adjustment
4	540007410	Axle kit, axle, E-clip, 2 washers, cotter pin, hairpin cotter
5	540007163	Knob, depth/stability
6	540007195	Spring, axle
7	540007213	Control kit, depth/stability
8	540007214	Knob spring kit, depth/stability
9	540007215	Bracket kit, depth/stability
10	540007216	Fastener kit, torque arm/housing
11	540007217	Fastener kit, linkage
12	540007411	Fastener kit carriage/housing
13	540007412	Wheel arm right
14	540007413	Wheel arm left
15	540007414	Wheel assembly wheel, bearing, 2 seals, axle, 2 washers, E-clip, cotter pin, hairpin cotter
16	540007415	Cotter key, hairpin

POWER TRAIN AND TINE ROTOR - MODEL AR25





Technical assistance:
For technical assistance please contact your Local Dealer.