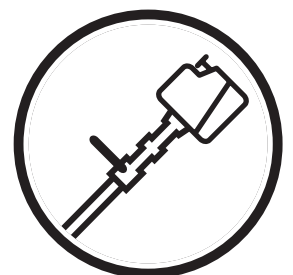


**Operator's manual (p 2-35)**  
**Manuel d'utilisation (p 36-69)**

**336**



Lire attentivement et bien assimiler le manuel d'utilisation avant d'utiliser la machine.  
Please read these instructions carefully and make sure you understand them before using the machine.

**CANADA**

# KEY TO SYMBOLS

## Symbols



CAUTION! Chain saws can be dangerous! Careless or incorrect use can result in serious or fatal injury to the operator or others.



Please read the instructions carefully and make sure you understand them before using the saw.



Always wear:

- Approved protective helmet
- Approved hearing protection
- Protective glasses or visor



Both of the operator's hands must be used to operate the chain saw.



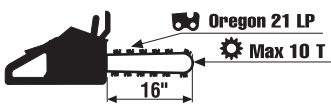
Never operate a chain saw holding it with one hand only.



Contact of the guide bar tip with any object should be avoided.



Tip contact may cause the guide bar to move suddenly upward and backward, which may cause serious injury.



Recommended cutting equipment in this example:

- Bar length 16 inches
- Max. nose radius 10 Teeth
- Chain type Oregon 21LP



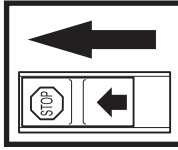
Other approved bar and chain combinations in Operator's Manual.



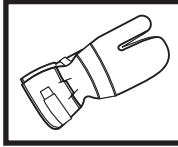
Measured maximum kickback value with brake for the bar and chain combination on the label.



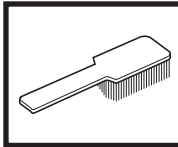
Measured maximum kickback value without triggering the brake, for the bar and chain combination on the label.



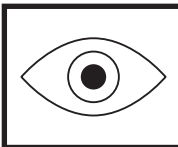
Switch off the engine by moving the stop switch to the STOP position before carrying out any checks or maintenance.



Always wear approved protective gloves.



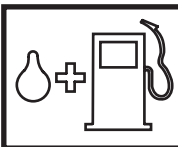
Regular cleaning is required.



Visual check.



Protective glasses or a visor must be worn.



Refuelling




Chain oil and chain oil flow adjustment

# CONTENTS


## Before using a new saw

- Read the instructions carefully.
- Check cutting equipment is correctly fitted and adjusted. See page 25.
- Refuel and start the saw. Check the carburetor settings. See pages 26-29.
- Do not use the saw until sufficient chain oil has reached the chain, see page 14.


**IMPORTANT!** If the carburetor mixture is too lean it greatly increases the risk of engine failure. Poor maintenance of the air filter will cause carbon build-up on the spark plug and lead to difficult starting. If the chain is badly adjusted it will cause increased wear or damage to the bar, drive sprocket and chain.




**WARNING!**  
Under no circumstances may the design of the machine be modified without the permission of the manufacturer. Always use genuine spare parts/accessories. Non-authorized modifications and/or accessories can result in serious personal injury or the death of the operator or others. Your warranty may not cover damage or liability caused by the use of non-authorized accessories or replacement parts.




A chain saw is a dangerous tool if used carelessly or incorrectly and can cause serious, even fatal injuries. It is very important that you read and understand these instructions.



**Warning!** The inside of muffler contain chemicals that may be carcinogenic. Avoid contact with these elements in the event of damaged muffler.



When using a chain saw, a fire extinguisher should be available.



Keep handles dry, clean and free of oil.



Beware of carbon monoxide poisoning. Operate the chainsaw in well ventilated areas only.



Do not attempt a pruning or limbing operation in a standing tree unless specifically trained to do so.

**WARNING**

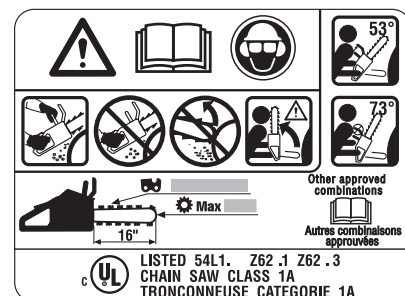
The engine exhaust from this product contains chemicals known to the State of California to cause cancer, birth defects or other reproductive harm.


Husqvarna AB has a policy of continuous product development and therefore reserves the right to modify the design and appearance of products without prior notice.


## Contents

<b>Key to symbols</b> .....	2
<b>Safety instructions</b>	
Personal protective equipment .....	4
Chain saw safety equipment .....	4
Inspecting, maintaining and servicing chain saw safety equipment .....	8
Cutting equipment .....	10
How to avoid kickback .....	16
General safety precautions .....	18
General working instructions .....	19
<b>What is what?</b>	
What is what? .....	24
<b>Assembly</b>	
Mounting guide bar and chain .....	25
<b>Fuel handling</b>	
Fuelmix .....	26
Fuelling .....	27
<b>Start and stop</b>	
Start and stop .....	28
<b>Maintenance</b>	
Carburetor .....	29
Starter device .....	30
Air filter .....	31
Spark plug .....	31
Muffler .....	31
Adjustment of the oil pump .....	32
Cooling system .....	32
Daily maintenance .....	32
Weekly maintenance .....	33
Monthly maintenance .....	33
<b>Technical Data</b>	
336 .....	34
<b>Emission Control Warranty Statement</b>	
Your warranty rights and obligations .....	35

You will find the following labels on your chain saw:



**IMPORTANT ENGINE INFORMATION**  
  
 HUSQVARNA AB HUSKVARNA SWEDEN EM  
 THIS ENGINE CONFORMS TO U.S. EPA PH 1  
 EMISSION REGULATION FOR SMALL  
 NONROAD ENGINES. REFER TO OPERATOR'S  
 MANUAL FOR MAINTENANCE  
 SPECIFICATIONS AND ADJUSTMENTS.

**IMPORTANT ENGINE INFORMATION**  
  
 336 35cc  
 YHVXS.0354RA  
 HUSQVARNA AB HUSKVARNA SWEDEN EM  
 THIS ENGINE CONFORMS TO U.S. EPA PH 1  
 EMISSION REGULATION FOR SMALL  
 NONROAD ENGINES. REFER TO OPERATOR'S  
 MANUAL FOR MAINTENANCE  
 SPECIFICATIONS AND ADJUSTMENTS.

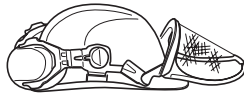
# SAFETY INSTRUCTIONS

## PERSONAL PROTECTIVE EQUIPMENT

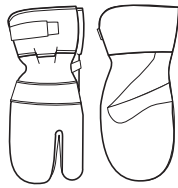


**MOST CHAIN SAW ACCIDENTS HAPPEN WHEN THE CHAIN TOUCHES THE OPERATOR. You must wear approved protective equipment whenever you use a chain saw. Personal protective equipment cannot eliminate the risk of injury but it will reduce the degree of injury if an accident does happen. Ask your chain saw dealer for help in choosing the right equipment.**

- PROTECTIVE HELMET
- HEARING PROTECTION
- PROTECTIVE GLASSES OR VISOR



- GLOVES WITH SAW PROTECTION



- PROTECTIVE TROUSERS WITH SAW PROTECTION



- BOOTS WITH SAW PROTECTION, STEEL TOE-CAP AND NON-SLIP SOLE

Generally clothes should be close-fitting without restricting your freedom of movement.



- ALWAYS HAVE A FIRST AID KIT NEARBY



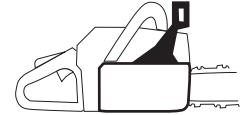
## CHAIN SAW SAFETY EQUIPMENT

This section explains the various safety features of the saw, how they work, and basic inspection and maintenance you should carry out to ensure safe operation. (See the "What is what?" section to find out where these components are on Your saw).

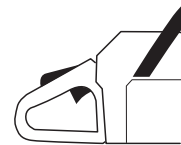


**NEVER USE A CHAIN SAW THAT HAS FAULTY SAFETY EQUIPMENT! Carry out the inspection, maintenance and service routines listed in this section.**

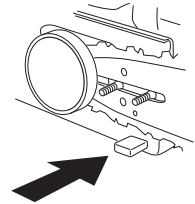
- Chain brake and front hand guard



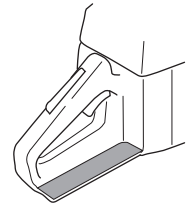
- Throttle lock



- Chain catcher



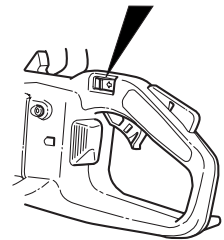
- Right hand guard



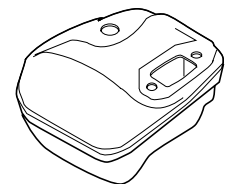
- Vibration damping system



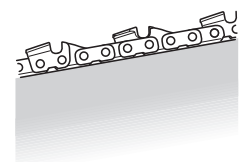
- Stop switch



- Muffler



- Cutting equipment (see "Cutting equipment" section).

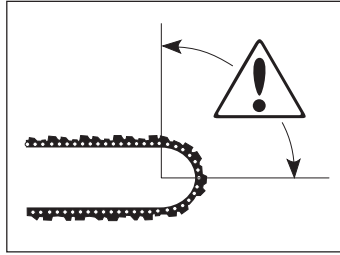


# SAFETY INSTRUCTIONS

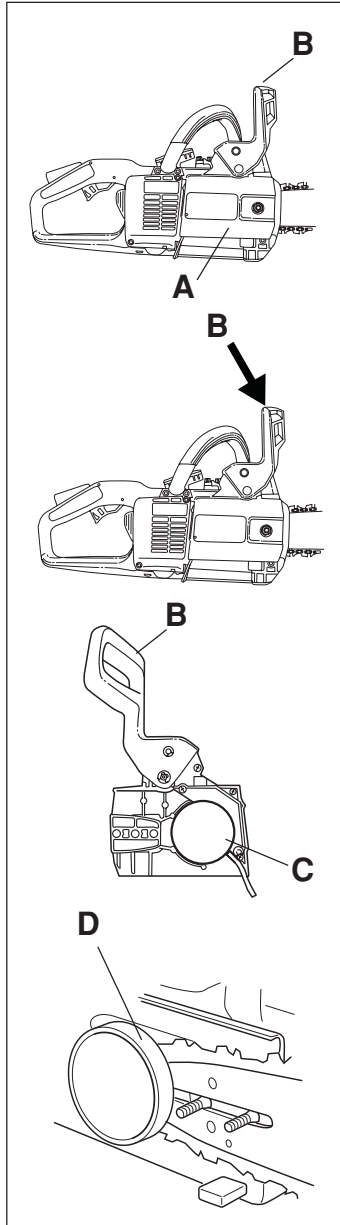
## 1 Chain brake and front hand guard

YOUR chain saw is equipped with a chain brake that is designed to stop the chain immediately if you get a kickback. The chain brake reduces the risk of accidents, but only you can prevent them.

Take care when using your saw and make sure the kickback zone of the bar never touches any object.



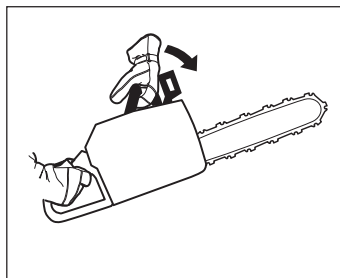
- 1 The chain brake (A) can either be activated manually (by your left hand) or automatically by the inertia release mechanism (a free-swinging pendulum). On most of our models the front hand guard acts as a counterweight in case of kickback.



The brake is applied when the front hand guard (B) is pushed forwards.

This movement activates a spring-loaded mechanism that tightens the Brake Band (C) around the engine drive system (D) (Clutch Drum).

- 2 The front hand guard is not designed solely to activate the chain brake. Another important safety feature is that it prevents the chain from hitting your left hand if you lose your grip on the front handle.



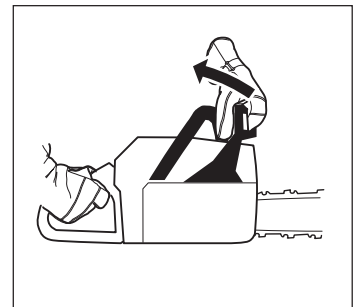
## 3a Starting

The chain brake should be activated when starting.

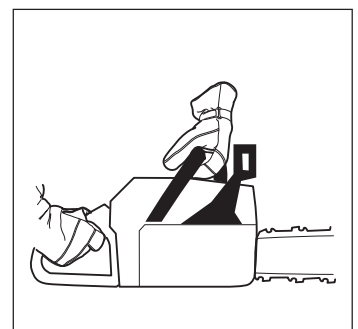
- b You can also use the chain brake as a temporary brake when you change position or if you put the saw down for a short time. You should also apply the chain brake manually if there is a risk of the chain accidentally hitting anyone or anything close by.



- 4 To release the chain brake pull the front hand guard backwards, towards the front handle.



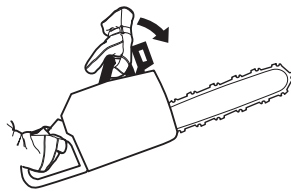
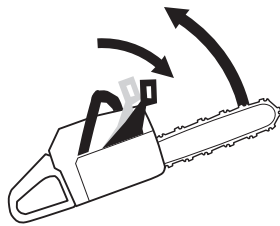
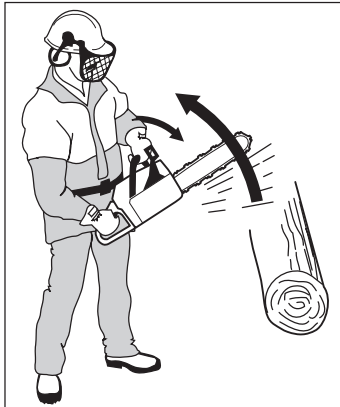
- 5 As mentioned in section A, kickback can be very sudden and violent. **Most kickbacks are minor and do not always activate the chain brake. If this happens you should hold the chain saw firmly and not let go.**



# SAFETY INSTRUCTIONS

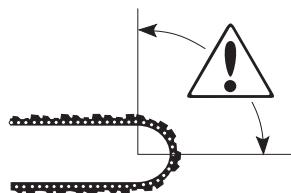
- 6 The way the chain brake is triggered, either manually or automatically, depends on the force of the kickback and the position of the chain saw in relation to the object that the kickback zone of the bar strikes.

If you get a violent kickback while the kickback zone of the bar is farthest away from you the chain brake will be activated by the movement of the counterweight (INERTIA ACTIVATED).



If the kickback is less violent or the kickback zone of the bar is closer to you the chain brake will be activated manually by the movement of your left hand.

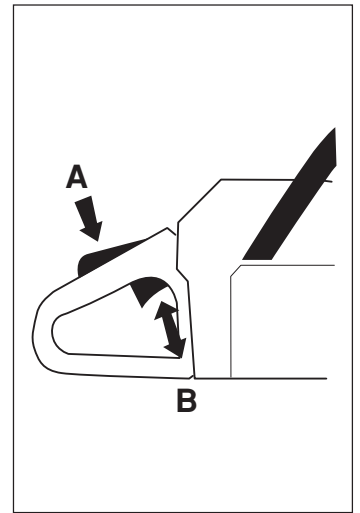
- 7 During felling your left hand grasps the front handle in such a way that it cannot activate the front hand guard. In this position the chain brake can only be activated by the inertia action of the counterweight.



The inertia activated chain brake increases your safety but there are certain factors to remember (see point 6 above).

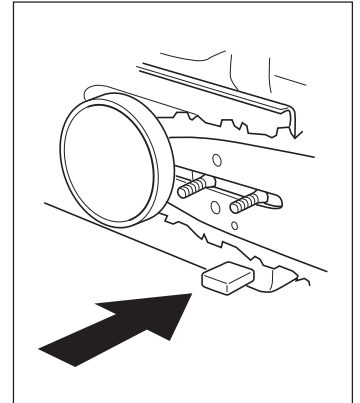
## 2 Throttle lock

The throttle lock is designed to prevent accidental operation of the throttle control. When you press the lock (A) (i.e. when you grasp the handle) it releases the throttle trigger (B). When you release the handle the throttle trigger and the throttle lock both move back to their original positions. This movement is controlled by two independent return springs. This arrangement means that the throttle control is automatically locked at the idle setting when you release the handle.



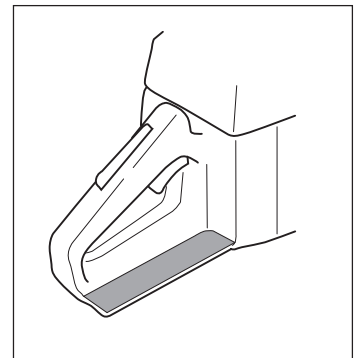
## 3 Chain catcher

The chain catcher is designed to catch the chain if it snaps or jumps off. This should not happen if the chain is properly tensioned (see section on "Assembly") and if the bar and chain are properly serviced and maintained. (See section on "General working instructions").



## 4 Right hand guard

Apart from protecting your hand if the chain jumps or snaps, the right hand guard stops branches and twigs from interfering with your grip on the rear handle.



# SAFETY INSTRUCTIONS

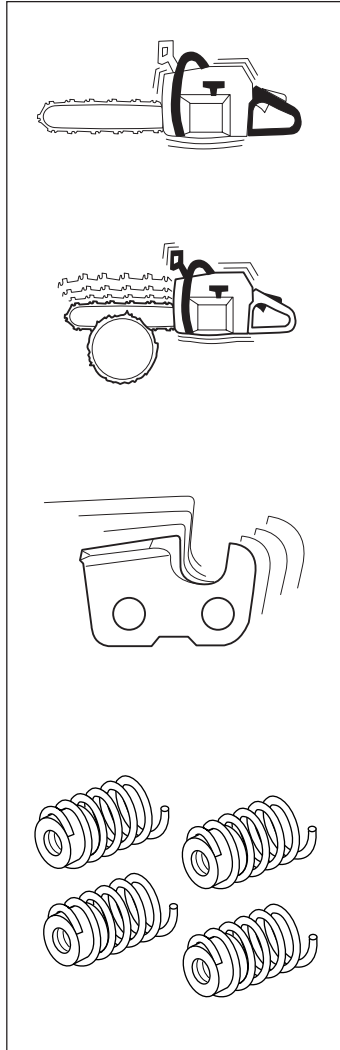
## 5 Vibration damping system

Your chain saw is equipped with a vibration damping system that is designed to minimise vibrations in the handles and make operation easier.

When you use a chain saw vibrations are generated by the uneven contact between the chain and the wood you are cutting.

Cutting hardwoods (most broadleaf trees) creates more vibration than cutting softwoods (most conifers). Cutting with a chain that is blunt or faulty (wrong type or badly sharpened, see page 11-14) will increase the vibration level.

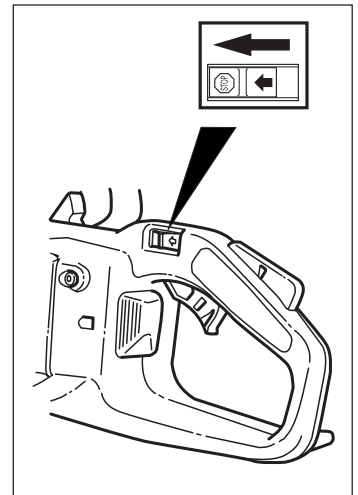
The vibration damping system reduces the vibrations transmitted from the engine and chain to the handles of the chain saw. The body of the saw, including the cutting equipment, is insulated from the handles by vibration damping units.



**Overexposure to vibration can lead to circulatory damage or nerve damage in people who have impaired circulation. Contact your doctor if you experience symptoms of overexposure to vibration. These symptoms include numbness, loss of feeling, tingling, pricking, pain, loss of strength, changes in skin colour or condition. These symptoms normally appear in the fingers, hands or wrists.**

## 6 Stop switch

Use the stop switch to switch off the engine.



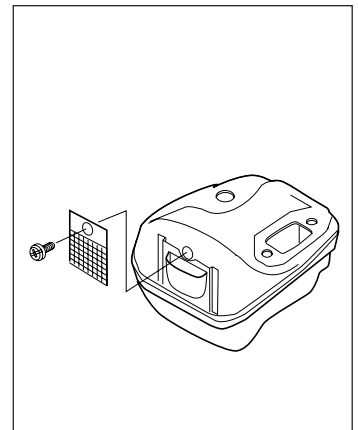
## 7 Muffler

The muffler is designed to keep noise levels to a minimum and to direct exhaust fumes away from the user.



**The exhaust fumes from the engine are hot and may contain sparks which can start a fire. Never start the saw indoors or near combustible material!**

In countries with a hot climate there is a high risk of forest fires. The chain saw is therefore fitted with a SPARK ARRESTOR MESH.



With this type of muffler it is very important that you follow the instructions on checking, maintaining and servicing your saw (see the section on "Inspecting, maintaining and servicing chain saw safety equipment").



**The muffler gets very hot in use and remains so for a short time afterwards. DO NOT TOUCH THE MUFFLER IF IT IS HOT!**



# SAFETY INSTRUCTIONS

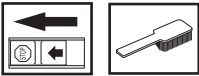
## Inspecting, maintaining and servicing chain saw safety equipment



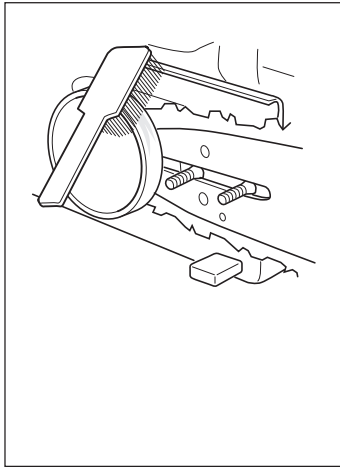
**SPECIAL TRAINING IS REQUIRED to service and repair chain saws. This is especially true of chain saw safety equipment. If your chain saw fails any of the checks described below take it to your SERVICE AGENT. When you buy any of our products we guarantee the availability of professional repairs and service. If the retailer who sells your saw is not a SERVICING DEALER, ask him for the address of your nearest SERVICE AGENT.**

### 1 Chain brake and front hand guard

#### 1 Checking brake band wear



Brush off any sawdust, resin and dirt from the chain brake and clutch drum. Dirt and wear can impair operation of the brake.

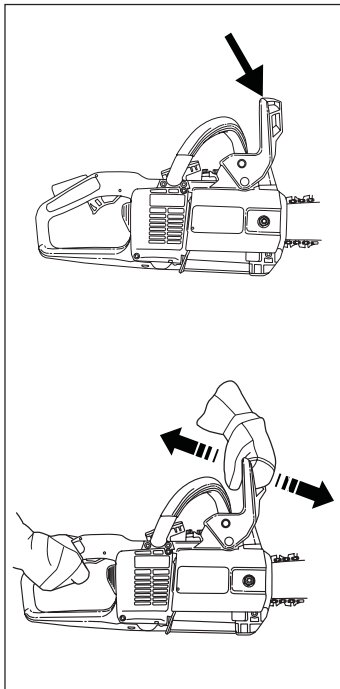


Regularly check that the brake band is at least 0.6 mm thick at its thinnest point.

#### 2 Checking the front hand guard



A) Make sure the **FRONT HAND GUARD** is not damaged and that there are no visible defects such as cracks.



B) Move the front hand guard forwards and back to make sure it runs freely and that it is securely anchored to the clutch cover.

### 3 Checking the inertia brake release



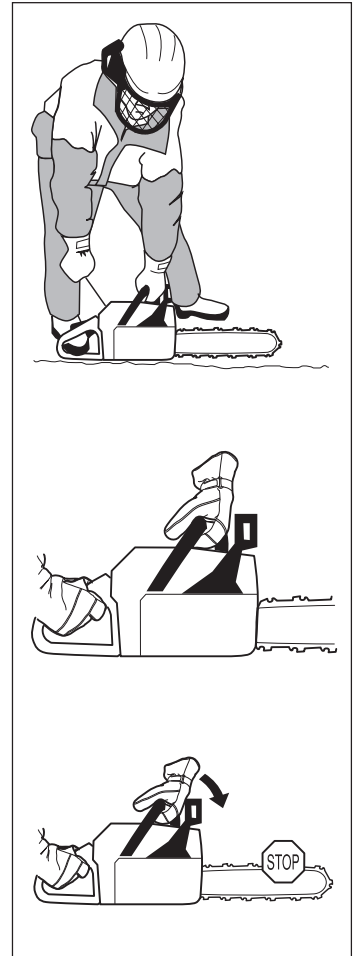
Hold the chain saw over a stump or other firm object. Let go of the front handle so that the bar falls onto the stump.



When the bar hits the stump the brake should be applied.

### 4 Checking the brake trigger

Place the chain saw on firm ground and start it. Make sure the chain does not touch the ground or any other object. See instructions under the heading Start and stop.



Grasp the saw firmly, wrapping your fingers and thumbs around the handles.

Apply full throttle and activate the chain brake by tilting your wrist forward onto the front hand guard. Do not let go of the front handle.

The chain should stop immediately.

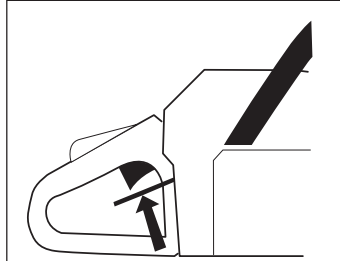


# SAFETY INSTRUCTIONS

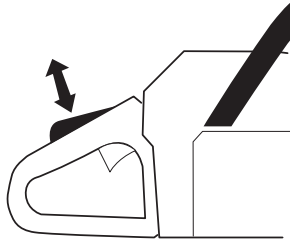
## 2 Throttle lock



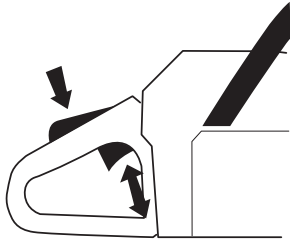
1 Make sure the throttle control is locked at the idle setting when you release the throttle lock.



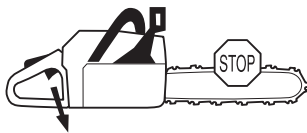
2 Press the throttle lock and make sure it returns to its original position when you release it.



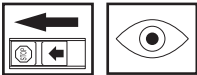
3 Check that the throttle control and throttle lock move freely and that the return springs work properly.



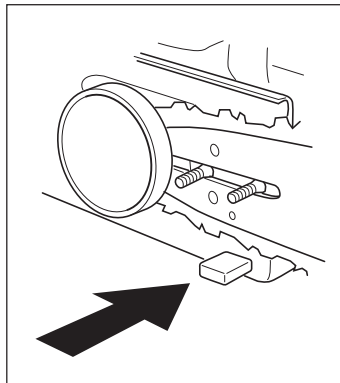
4 Start the saw and apply full throttle. Release the throttle control and check that the chain stops and remains stationary. If the chain rotates when the throttle is on idle setting you should check the carburetor idle adjustment. See the section on "Maintenance".



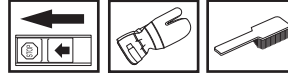
## 3 Chain catcher



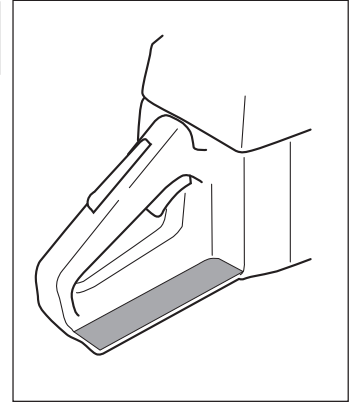
Check that the CHAIN CATCHER is not damaged and is firmly attached to the body of the saw.



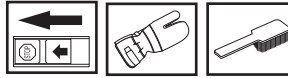
## 4 Right hand guard



Check that the right hand guard is not damaged and that there are no visible defects, such as cracks.



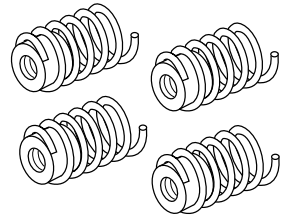
## 5 Vibration damping system



Regularly check the vibration damping units for cracks or deformation



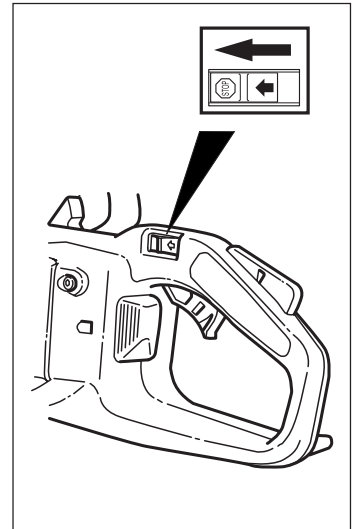
Make sure the vibration damping units are securely attached to the engine unit and handles.



## 6 Stop switch



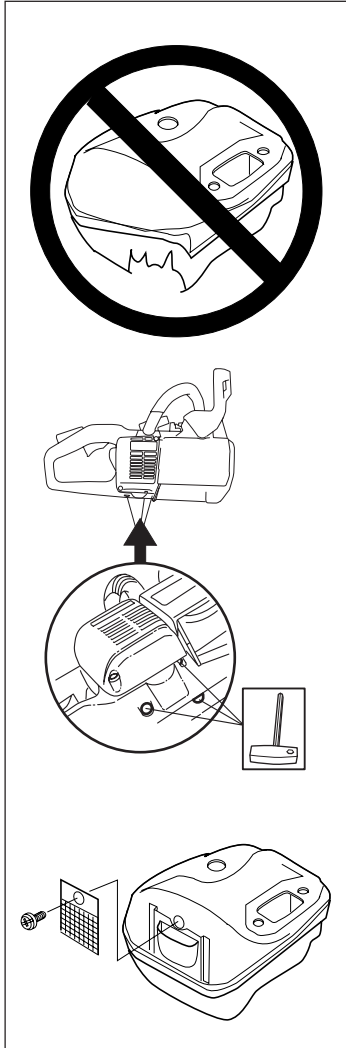
Start the engine and make sure the engine stops when you move the stop switch to the stop setting.



# SAFETY INSTRUCTIONS

## 7 Muffler

Never use a chain saw that has a faulty muffler.



Regularly check that the muffler is securely attached to the chain saw.



If the muffler on your saw is fitted with a spark arrestor mesh this must be cleaned regularly. A blocked mesh will cause the engine to overheat and may lead to serious damage.

Never use a muffler if the spark arrestor mesh is missing or defective.



**NEVER USE A CHAIN SAW WITH FAULTY SAFETY EQUIPMENT. CARRY OUT THE CHECKS AND MAINTENANCE MEASURES DESCRIBED IN THIS SECTION. IF YOUR CHAIN SAW FAILS ANY OF THESE CHECKS CONTACT YOUR SERVICE AGENT TO GET IT REPAIRED.**

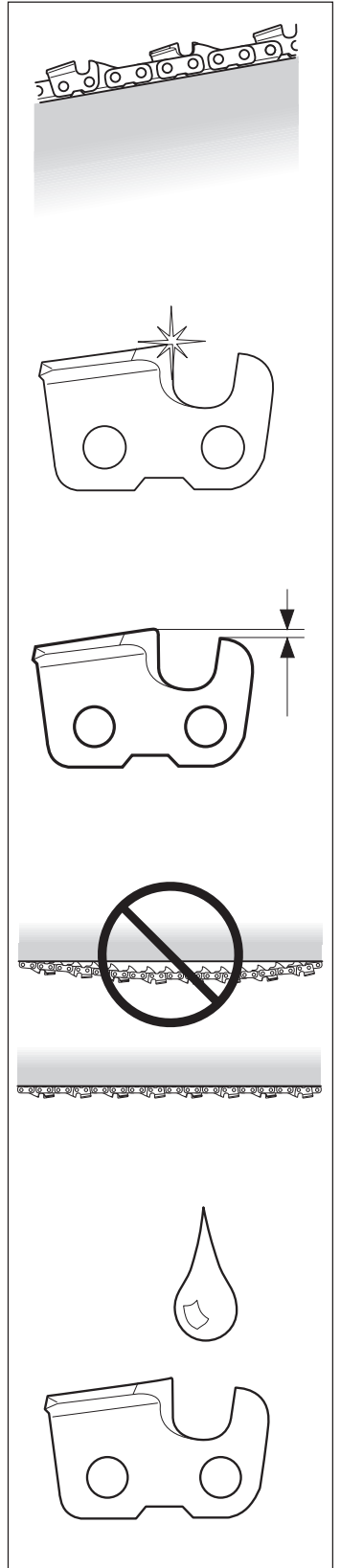
## CUTTING EQUIPMENT

This section describes how to choose and maintain your cutting equipment in order to:

- Reduce the risk of kickback.
- Reduce the risk of the chain breaking or jumping.
- Obtain maximum cutting performance.
- Extend the life of cutting equipment.

### The 5 basic rules

- 1 **Only use cutting equipment recommended by us!** See the "Technical data" section.
- 2 **Keep the chain cutting teeth properly sharpened! Follow our instructions and use the recommended file gauge.** A damaged or badly sharpened chain increases the risk of accidents.
- 3 **Maintain the correct raker clearance! Follow our instructions and use the recommended raker gauge.** Too large a clearance increases the risk of kickback.
- 4 **Keep the chain properly tensioned!** If the chain is slack it is more likely to jump off and lead to increased wear on the bar, chain and drive sprocket.
- 5 **Keep cutting equipment well lubricated and properly maintained!** A poorly lubricated chain is more likely to break and lead to increased wear on the bar, chain and drive sprocket.



# SAFETY INSTRUCTIONS

## 1 Cutting equipment designed to minimise kickback

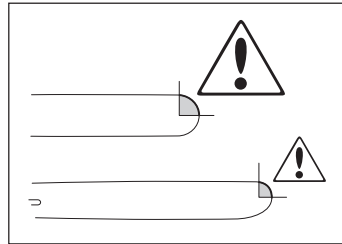


Faulty cutting equipment or the wrong combination of bar and chain increases the risk of kickback. Use only the bar and chain combinations recommended in the "Technical data" section.

The only way to avoid kickback is to make sure that the kickback zone of the bar never touches anything. By using cutting equipment with "built-in" kickback protection and keeping the chain sharp and well-maintained you can reduce the effects of kickback.

### A Bar

The smaller the tip radius the smaller the kickback zone and the lower the chance of kickback.



### B Saw chain

A saw chain is made up of a number of links, which are available in standard and low-kickback versions.

	None	Standard	Low-kickback
CUTTING LINK			
DRIVE LINK			
SIDE LINK			

Combining these links in different ways gives different degrees of kickback reduction. In terms of kickback reduction alone, four different types of link are available.

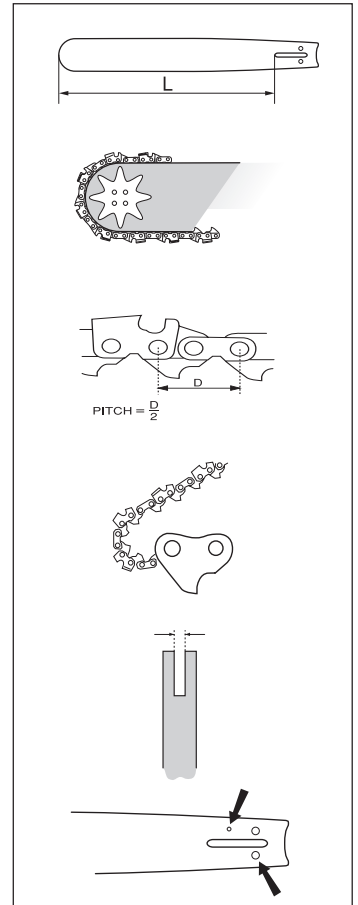
Kickback reduction	Cutting link	Drive link	Side link
LOW			
STANDARD			
HIGH			
EXTRA HIGH			

## C Some terms that describe the bar and chain

When the cutting equipment supplied with your saw becomes worn or damaged you will need to replace it. Use only the type of bar and chain recommended by us. See the "Technical data" section to find out which equipment is recommended for your saw.

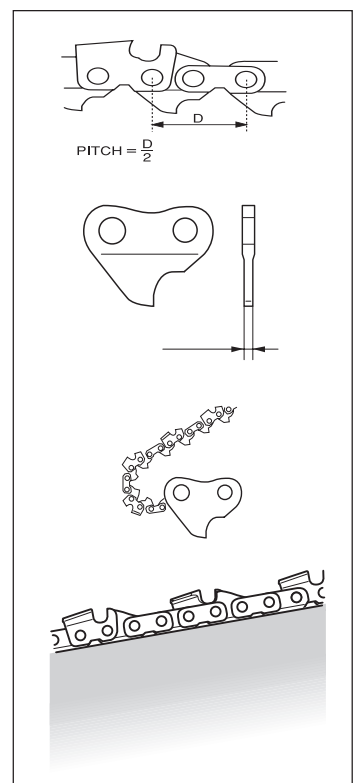
### Bar

- **LENGTH** (inches/cm)
- **NUMBER OF TEETH ON BAR TIP SPROCKET (T)**. Small number = small tip radius = low-kickback
- **CHAIN PITCH** (inches) The spacing between the drive links of the chain must match the spacing of the teeth on the bar tip sprocket and drive sprocket.
- **NUMBER OF DRIVE LINKS** The number of drive links is determined by the length of the bar, the chain pitch and the number of teeth on the bar tip sprocket.
- **BAR GROOVE WIDTH** (inches/mm) The groove in the bar must match the width of the chain drive links.
- **SAW CHAIN OIL HOLE AND HOLE FOR CHAIN TENSIONER** The bar must be matched to the chain saw design.



### Saw chain

- **SAW CHAIN PITCH** (inches) Spacing between drive links.
- **DRIVE LINK WIDTH** (mm/inches)
- **NUMBER OF DRIVE LINKS**
- **LEVEL OF KICKBACK REDUCTION** The level of kickback reduction offered by a chain is indicated by its model number. See the "Technical data" section to find the model numbers of chains that are recommended for use with your saw.



# SAFETY INSTRUCTIONS

## 2 Sharpening your chain and adjusting raker clearance

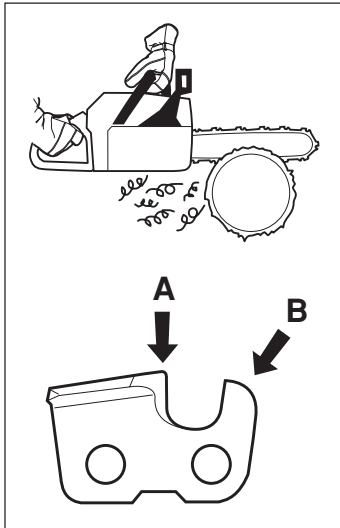


The risk of kickback is increased with a badly sharpened chain!

### A General information on sharpening cutting teeth

- Never use a blunt chain. When the chain is blunt you have to exert more pressure to force the bar through the wood and the cuttings will be very small. If the chain is very blunt it will not produce any cuttings at all, just wood powder.

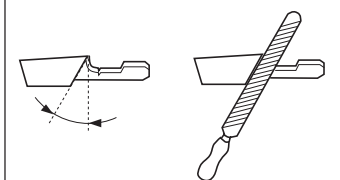
- A sharp chain eats its way through the wood and produces long, thick cuttings.



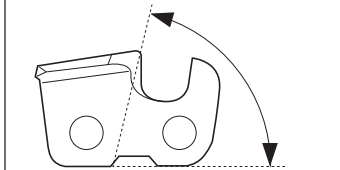
- The cutting part of the chain is called the CUTTING LINK and this consists of a CUTTING TOOTH (A) and the RAKER LIP (B). The cutting depth is determined by the difference in height between the two.

- When you sharpen a cutting tooth there are five important factors to remember.

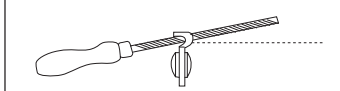
FILING ANGLE



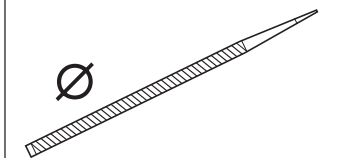
CUTTING ANGLE



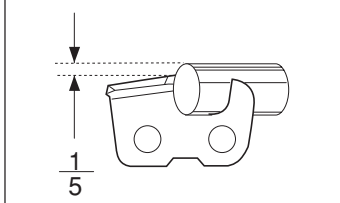
FILE POSITION



ROUND FILE DIAMETER

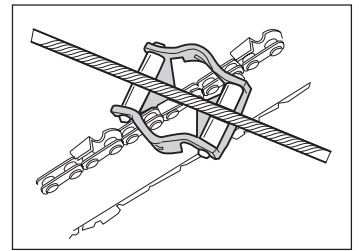


FILE DEPTH

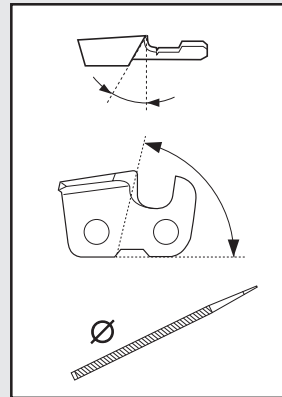


See the "Technical data" section for information about sharpening your saw chain.

It is very difficult to sharpen a chain correctly without the right equipment. We recommend you use a file gauge. This will help you obtain the maximum kickback reduction and cutting performance from your chain.



The following faults will increase the risk of kickback considerably.



- FILE ANGLE TOO LARGE
- CUTTING ANGLE TOO SMALL
- FILE DIAMETER TOO SMALL

### B Sharpening cutting teeth

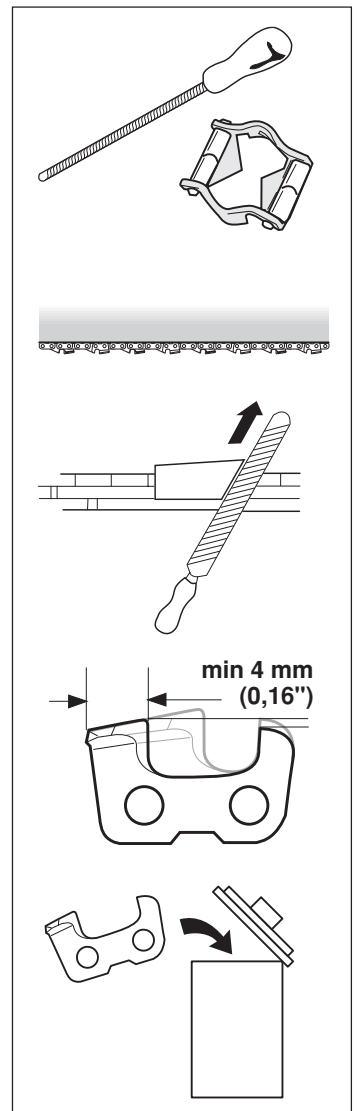
To sharpen cutting teeth you will need a ROUND FILE and a FILE GAUGE. See the "Technical data" section for information on the size of file and gauge that are recommended for your saw chain.

- 1 Check that the chain is correctly tensioned. A slack chain is difficult to sharpen correctly.

- 2 Always file cutting teeth from the inside face, reducing the pressure on the return stroke.

File all the teeth on one side first, then turn the saw over and file the teeth on the other side.

- 3 File all the teeth to the same length. When the length of the cutting teeth is reduced to 4 mm (0,16") the chain is worn out and should be replaced.



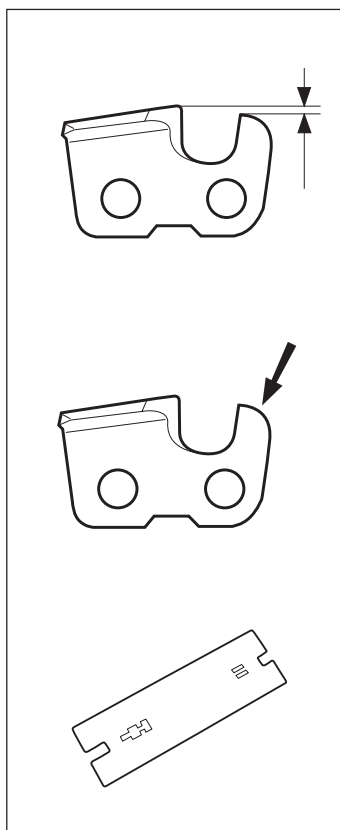
# SAFETY INSTRUCTIONS

## C General advice on setting raker clearance

- When you sharpen the cutting teeth you reduce the **RAKER CLEARANCE** (cutting depth). To maintain cutting performance you must file back the raker teeth to the recommended height.

See the "Technical data" section to find the raker clearance for your saw chain.

- On a low-kickback cutting link the front edge of the raker lip is rounded. It is very important that you maintain this radius or bevel when you adjust the raker clearance.
- We recommend the use of a raker gauge to achieve the correct clearance and bevel on the raker lip.



The risk of kickback is increased if the raker clearance is too large!

## D Setting the raker clearance

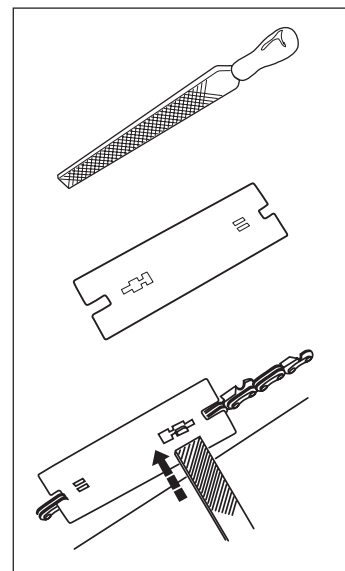


- Before setting the raker clearance the cutting teeth should be newly sharpened. We recommend that you adjust the raker clearance every third time you sharpen the chain. **NOTE!** This recommendation assumes that the length of the cutting teeth is not reduced excessively.

- To adjust the raker clearance you will need a **FLAT FILE** and a **RAKER GAUGE**.

- Place the gauge over the raker lip.

- Place the file over the part of the lip that protrudes through the gauge and file off the excess. The clearance is correct when you no longer feel any resistance as you draw the file over the gauge.



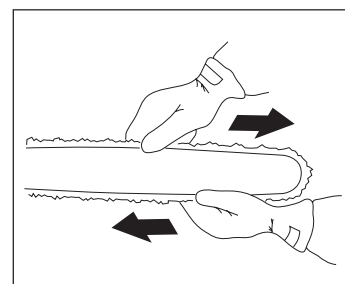
## 3 Tensioning the chain



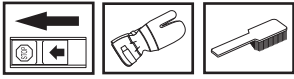
A slack chain may jump off and cause serious or even fatal injury.

- The more you use a chain the longer it becomes. It is therefore important to adjust the chain regularly to take up the slack.
- Check the chain tension every time you refuel. **NOTE!** A new saw chain has a running-in period during which you should check the tension more frequently.

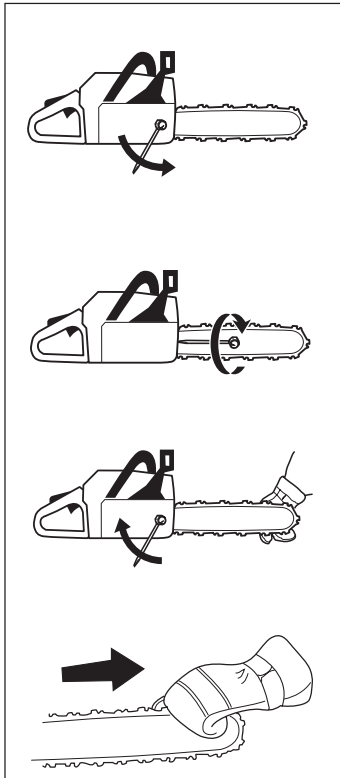
- Tension the chain as tightly as possible, but not so tight that you cannot pull it round freely by hand.



# SAFETY INSTRUCTIONS



- 1 Undo the bar nuts that hold the clutch cover and chain brake, using the combination spanner. Then tighten the nuts by hand as tight as you can.
- 2 Raise the tip of the bar and stretch the chain by tightening the chain tensioning screw using the combination spanner. Tighten the chain until it hangs slack on the underside of the bar.
- 3 Use the combination spanner to tighten the bar nuts while lifting the tip of the bar at the same time. Check that you can pull the chain round freely by hand and that it is not slack on the bottom of the bar.



The position of the chain tensioning screw varies from model to model. See the "What is what" section to find out where it is on your saw.

## 4 Lubricating cutting equipment



Poor lubrication of cutting equipment may cause the chain to snap and lead to serious, even fatal injuries.

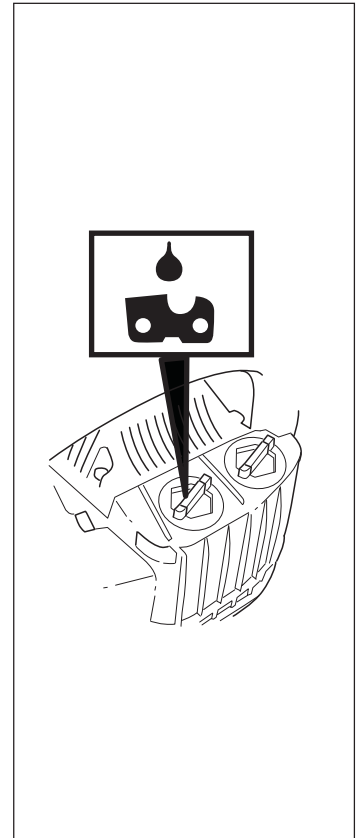
### A Chain oil

- Chainsaw chain oil must demonstrate good adhesion to the chain and also maintain its flow characteristics regardless of whether it is warm summer or cold winter weather.
- As a chainsaw manufacturer we have developed an optimal chain oil which has a vegetable oil base. We recommend the use of our own oil for both maximum chain life and to minimise environmental damage.
- If our own chain oil is not available, standard chain oil is recommended.
- In areas where oil specifically for lubrication of saw chains is unavailable, ordinary EP 90 transmission oil may be used.
- **Never use waste oil!**  
This is dangerous for yourself, the saw and the environment.

### B Filling with chain oil

- The chain saw has an automatic chain lubrication system. The oil flow is also adjustable.
- The sizes of the chain oil tank and fuel tank have been chosen so that the saw will run out of fuel before running out of oil. This means that you should never run with a dry chain.

However, this safety feature requires that you use the right sort of chain oil (if the oil is too thin it will run out before the fuel), and that you adjust the carburetor as recommended (a weak mixture may mean that the fuel lasts longer than the oil). You should also use the recommended cutting equipment (a bar that is too long will use more chain oil). The above conditions also apply to models with an adjustable oil pump.





# SAFETY INSTRUCTIONS

## C Checking chain lubrication

- Check the chain lubrication each time you refuel.

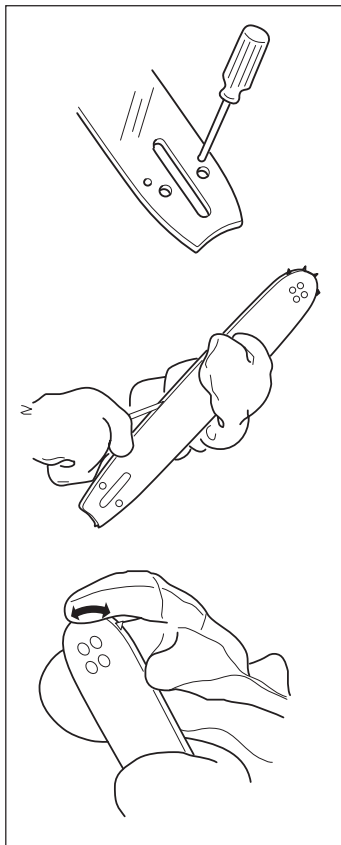
Aim the tip of the saw at a light coloured surface about 20 cm away. After 1 minute running at 3/4 throttle you should see a distinct line of oil on the light surface.



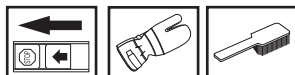
### If the chain lubrication is not working:

- 1 Check that the oil channel in the bar is not obstructed. Clean if necessary.
- 2 Check that the groove in the edge of the bar is clean. Clean if necessary.
- 3 Check that the bar tip sprocket turns freely and that the lubricating hole in the tip is not blocked. Clean and lubricate if necessary.

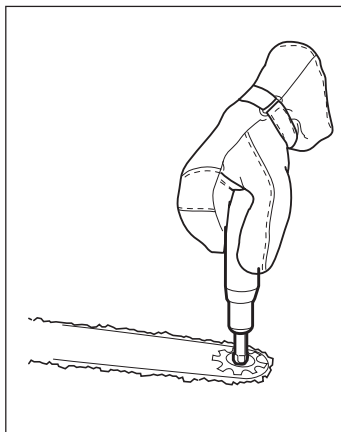
If the chain lubrication system is still not working after carrying out the above measures you should **contact your service agent**.



## D Lubricating the bar tip sprocket

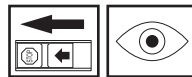


- Lubricate the bar tip sprocket each time you refuel. Use the special grease gun and a good quality bearing grease.



## E Checking wear on cutting equipment

### Saw chain

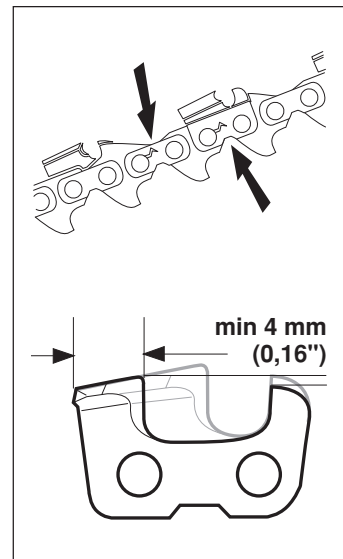


Check the saw chain daily for:

- Visible cracks in rivets and links.
- Whether the chain is stiff.
- Whether rivets and links are badly worn.

We recommend you compare the existing chain with a new chain to decide how badly it is worn.

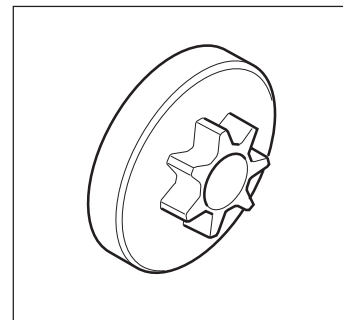
When the length of the cutting teeth has worn down to only 4 mm the chain must be replaced.



### F Chain drive sprocket



Regularly check the degree of wear on the drive sprocket. Replace if wear is excessive.





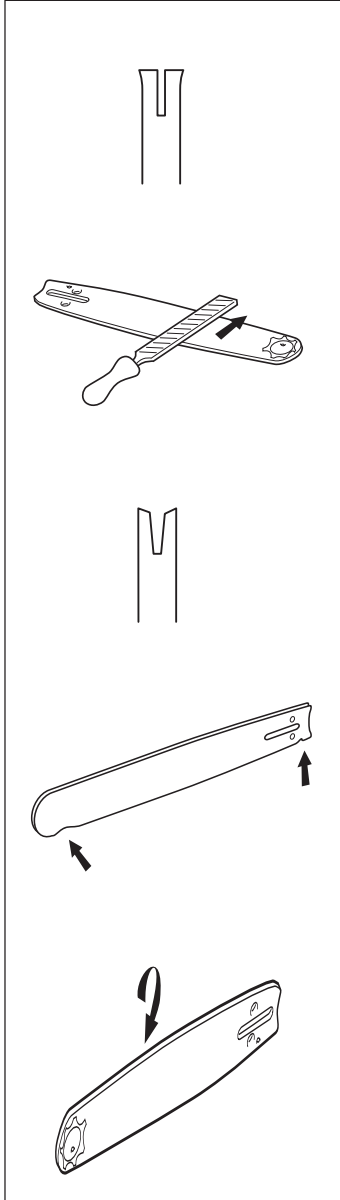
# SAFETY INSTRUCTIONS

## H Bar



Check regularly:

- Whether there are burrs on the edges of the bar. Remove these with a file if necessary.
- Whether the groove in the bar has become badly worn. Replace the bar if necessary.
- Whether the tip of the bar is uneven or badly worn. If a hollow forms on one side of the bar tip this is due to a slack chain.
- To prolong the life of the bar you should turn it over daily.



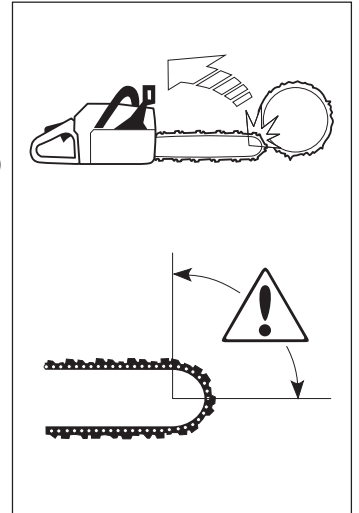
## HOW TO AVOID KICKBACK



Kickback can happen very suddenly and violently; kicking the saw, bar and chain back at the user. If this happens when the chain is moving it can cause very serious, even fatal injuries. It is vital you understand what causes kickback and that you can avoid it by taking care and using the right working technique.

### What is kickback?

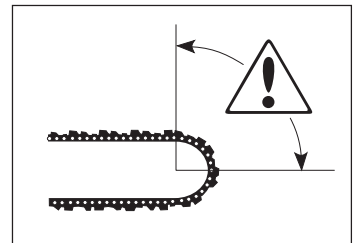
The word kickback is used to describe the sudden reaction that happens when the upper quadrant of the tip of the bar (known as the "kickback zone") touches an object and the saw is kicked backwards.



Kickback always occurs in the cutting plane of the saw. Normally the saw and bar are thrown backwards and upwards towards the user. However the saw may move in a different direction depending on the way it was being used when the kickback zone of the bar touched the object.



Kickback only occurs if the kickback zone of the bar touches an object.



**MOST CHAIN SAW ACCIDENTS HAPPEN WHEN THE CHAIN TOUCHES THE OPERATOR.**

- **WEAR PERSONAL PROTECTIVE EQUIPMENT** (see the section on "*Chain saw safety equipment*").
- **DO NOT TACKLE ANY JOB YOU ARE UNSURE OF** (see the section on "*Personal protective equipment*", "*How to avoid kickback*", "*General working instructions*" and "*Cutting equipment*").
- **AVOID SITUATIONS WHERE THERE IS A RISK OF KICKBACK** (see the section on "*Personal protective equipment*").
- **USE THE RECOMMENDED PROTECTIVE EQUIPMENT AND CHECK ITS CONDITION** (see section on "*General working instructions*").
- **CHECK THAT ALL SAFETY FUNCTIONS ARE WORKING** (see section on "*General working instructions*" and "*General safety precautions*").

# SAFETY INSTRUCTIONS

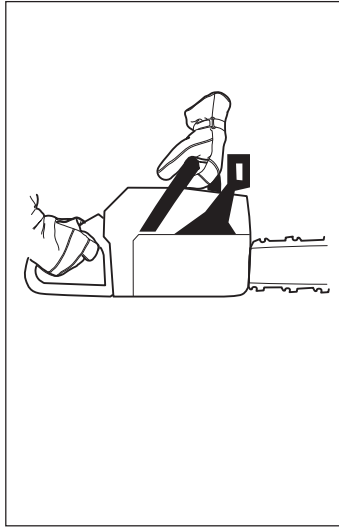
## General rules

1 If you understand what kickback is and how it happens then you can reduce or eliminate the element of surprise. By being prepared you reduce the risk. Kickback is usually quite mild, but it can sometimes be very sudden and violent.

2 Always hold the saw firmly with your right hand on the rear handle and your left hand on the front handle.

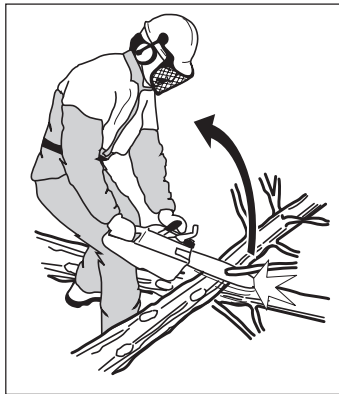
Wrap your fingers and thumb around the handles. You should use this grip whether you are right-handed or left-handed. This grip minimises the effect of kickback and lets you keep the saw under control.

**Do not let go of the handles!**



3 Most kickback accidents happen during limbing. Make sure you are standing firmly and that there is nothing in the way that might make you trip or lose your balance.

Lack of concentration can lead to kickback if the kickback zone of the bar accidentally touches a branch, nearby tree or some other object.



4 Never use the saw above shoulder height and try not to cut with the tip of the bar.

**Never use the saw one-handed!**



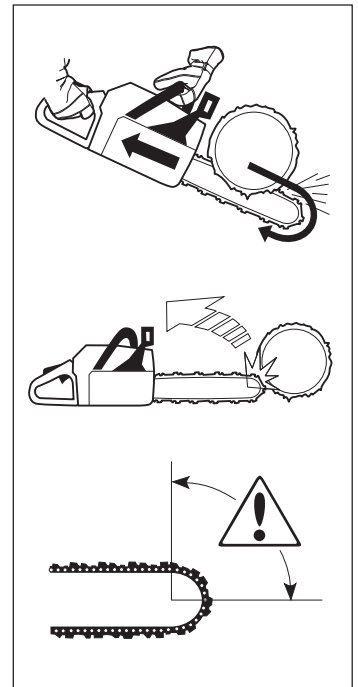
5 In order to keep control of your saw, always maintain a firm foothold. Never work on a ladder, in a tree or any other insecure support.



6 Always use a fast cutting speed, i.e. full throttle.

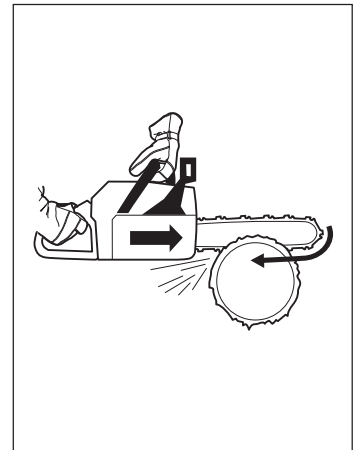
7 Take great care when you cut with the top edge of the bar, i.e. when cutting from the underside of the object. This is known as cutting on the push stroke. The chain tries to push the saw back towards the user.

Unless the user resists this pushing force there is a risk that the saw will move so far backwards that only the kickback zone of the bar is in contact with the tree. This will cause kickback.



Cutting with the bottom edge of the bar, i.e. from the top of the object downwards, is known as cutting on the pull stroke.

In this case the saw pulls itself towards the tree and the front edge of the saw provides a natural rest when cutting. Cutting on the pull stroke gives you better control over the saw and the position of the kickback zone.



8 Follow the instructions on sharpening and maintaining your bar and chain. When you replace the bar and chain use only combinations that are recommended by us. See the sections on "Cutting equipment" and "Technical data".



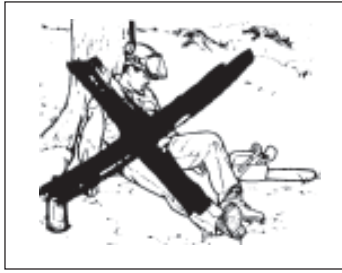
**The risk of kickback is increased if you use the wrong cutting equipment or a chain that is not sharpened correctly. The wrong combination of bar and chain can increase the risk of kickback!**

# SAFETY INSTRUCTIONS

## GENERAL SAFETY PRECAUTIONS

1 Chain saws are designed solely for cutting wood. The only cutting equipment that can be used with this chain saw are the combinations of bars and chains recommended in the "Technical data" section.

2 Never use a chain saw if you are tired, if you have drunk alcohol, or if you are taking medication that affects your vision, your judgement or your co-ordination.



3 Always wear suitable protective clothing. See the section on "Personal protective equipment".

4 Never use a chain saw that has been modified in any way from its original specification.

5 Never use a chain saw that is faulty. Carry out the regular checks, maintenance and service routines described in this manual. Some maintenance and service measures must be carried out by trained specialists. See the section on "Maintenance".



## 6 STARTING

• Never start a chain saw unless the bar, chain and all covers are fitted correctly. (See the section on "Assembly").

• Never start a chain saw indoors. Exhaust fumes can be dangerous.

• Before starting the saw make sure there are no people or animals nearby who might be put at risk.

• The chain brake should be activated when starting (see instructions under the heading Start and stop). Do not drop start. This method is very dangerous because you may lose control of the saw (see instructions under the heading Start and stop).

• Place the saw on the ground and hold the rear handle down with your right foot. Grasp the front handle firmly using your left hand. Make sure the chain saw is steady and the chain is not touching the ground. Then grasp the starter handle with your right hand and pull the starter cord. Never wrap the starter cord around your hand.

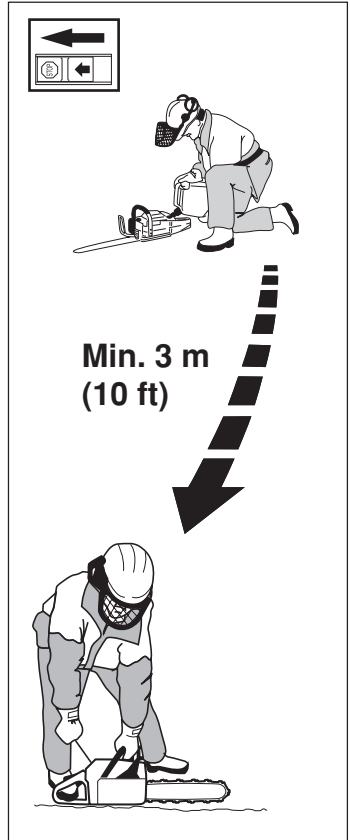


## 7 FUEL SAFETY (Refuelling, fuel mixture, storage.)



**Fuel and fuel vapour are highly inflammable. Take care when handling fuel and chain oil. Keep away from naked flames and do not breathe in fuel vapour.**

- Never try to refuel the saw while it is running.
- Make sure there is plenty of ventilation when refuelling or mixing fuel (2-stroke mixture).
- Move the saw at least 3 m from the refuelling point before starting it.
- Never start the chainsaw:
  - a) If you have spilt fuel or chain oil on the saw. Wipe off the spill and allow remaining fuel to evaporate.
  - b) If you spill fuel or chain oil on yourself or your clothes. Change your clothes.
  - c) If there is a fuel leak. Check regularly for leaks from the FUEL CAP and FUEL LINES.



- Always store the chain saw and fuel away from any sources of sparks or naked flames, e.g. machines, electric motors, relays, switches, boilers, etc.
  - Always store fuel in an approved container designed for that purpose.
  - For longer periods of storage or for transport of the saw, the fuel and chain oil tanks should be emptied. Ask where you can dispose of waste fuel and chain oil at your local gas station.
- 8 Never use any accessories other than those recommended in this manual. See the sections on "Cutting equipment" and "Technical data".



**The risk of accident is increased if you use the wrong cutting equipment or a chain that is not sharpened correctly. Using the wrong combination of bar and chain can increase the risk of accidents!**

# SAFETY INSTRUCTIONS

## GENERAL WORKING INSTRUCTIONS



This section describes basic safety rules for using a chain saw. This information is no substitute for professional skills and experience. If you get into a situation where you feel unsafe, stop and seek expert advice (look under FORESTRY SERVICES in the telephone directory). DO NOT ATTEMPT ANY TASK THAT YOU FEEL UNSURE OF!

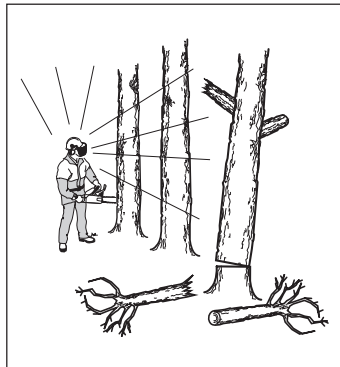
### Important

- 1 Before using a chain saw you must understand the effects of kickback and what causes it. (See the section on "How to avoid kickback".)
- 2 Before using a saw you must understand the difference between sawing with the top and bottom edges of the bar. (See the section on "How to avoid kickback".)

### 1 Basic safety rules

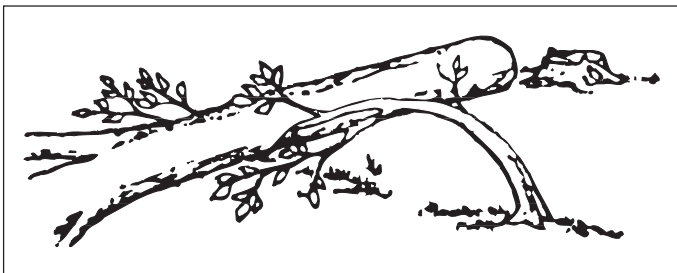
1 Look around you:

- to make sure there are no people, animals or other objects nearby that might affect your work.
- to make sure that none of the above might come within reach of your saw or be injured by falling trees.



Follow the instructions above, but do not use a chain saw in a situation where you cannot call for help in case of an accident.

- 2 Do not use the saw in bad weather, such as dense fog, heavy rain, strong wind, intense cold, etc. Working in cold weather is tiring and often brings added risks, such as icy ground, unpredictable felling direction, etc.
- 3 Take great care when removing small branches and avoid cutting bushes (i.e. cutting many small branches at the same time). Small branches can be grabbed by the chain and thrown back at you, causing serious injury.



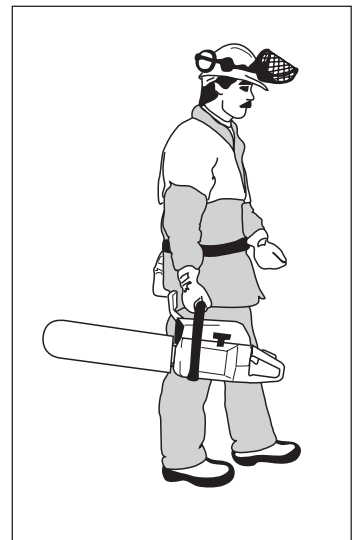
- 4 Check the area around you for possible obstacles such as roots, rocks, branches, ditches, etc., in case you have to move suddenly. Take great care when working on sloping ground.



- 5 Take the utmost care when cutting through branches or logs that are in tension. A log or branch that is in tension can suddenly spring back into its natural position before or after you cut it. If you stand on the wrong side or start cutting in the wrong place it may strike you or your chain saw. This could make you lose control and cause a serious accident.



- 6 Before moving your chain saw switch off the engine and lock the chain using the chain brake. Carry the saw with the bar and chain pointing backwards. Fit a guard to the bar before carrying the saw any distance.



- 7 Never put a chain saw down while the engine is running unless you have it in clear view and the chain brake is on. Switch the engine off before leaving your chain saw for any length of time.



# SAFETY INSTRUCTIONS

## 2 Basic cutting technique

### General

- **Always use full throttle when cutting!**
- **Reduce the speed to idle after every cut** (running the engine for too long at full throttle without any load can lead to serious engine damage).
- Cutting from above = Cutting on the pull stroke.
- Cutting from below = Cutting on the push stroke.

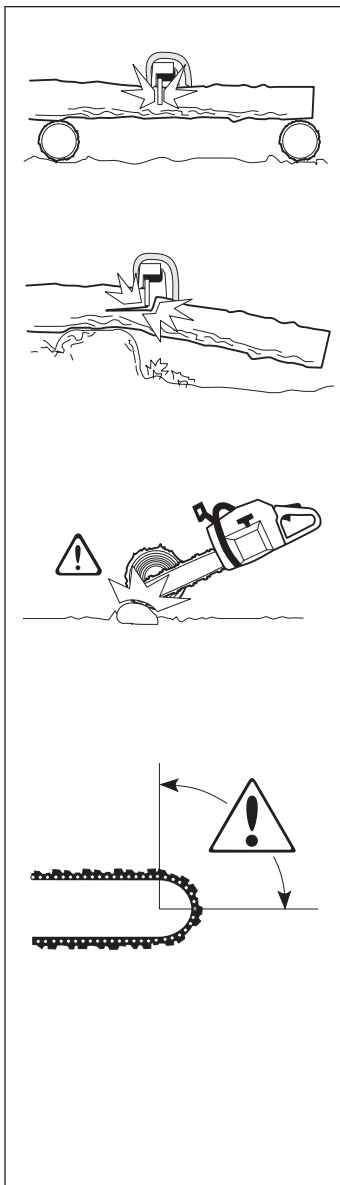
See the section on "How to avoid kickback" to find out why cutting on the push stroke increases the risk of kickback.

### Terms:

- Cutting = General term for cutting through wood.
- Limbing = Cutting limbs off a felled tree.
- Splitting = When the object you are cutting breaks off before the cut is complete.

### There are five important factors you should consider before making a cut:

- 1 Make sure the bar will not jam in the cut.
- 2 Make sure the log will not split.
- 3 Make sure the chain will not strike the ground or any other object during or after cutting.
- 4 Is there a risk of kickback?
- 5 Do the conditions and surrounding terrain affect your safety when working?



Two factors decide whether the chain will jam or the log will split. The first is how the log is supported and the second is whether it is in tension.

In most cases you can avoid these problems by cutting in two stages; from the top and from the bottom of the log. You need to support the log so that it will not trap the chain or split during cutting.

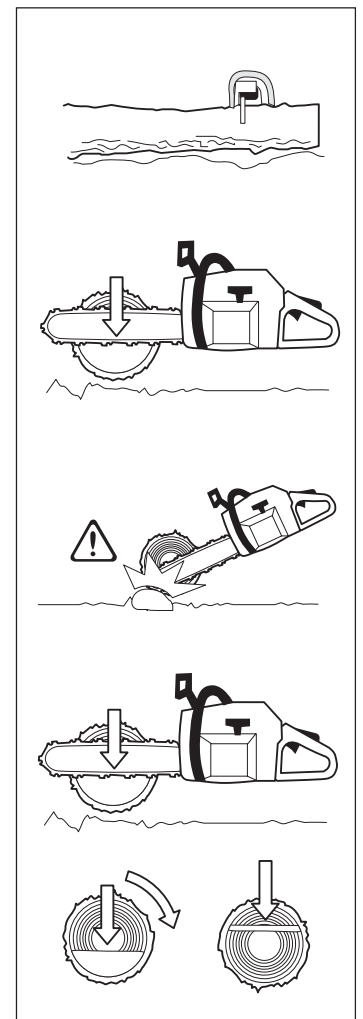


**If the chain jams in the cut: STOP THE ENGINE! Don't try to pull the saw free. If you do you may damage the chain when the saw suddenly breaks free. Use a lever to open up the cut and free the bar.**

The following instructions describe how to handle most types of situation that you will be faced with when using a chain saw.

### Cutting

- 1 The log is lying on the ground. There is little risk of the chain jamming or the log splitting. However there is a risk that the chain will touch the ground when you finish the cut.



Cut all the way through the log from above. Try not to touch the ground as you finish the cut. Maintain full throttle but be prepared in case the chain snatches.

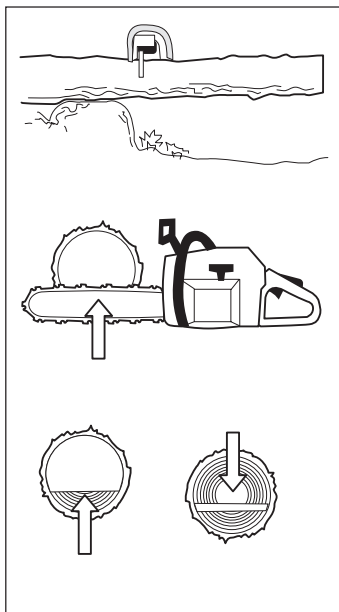
- A If it is possible to turn the log you should stop cutting about 2/3 of the way through.

- B Turn the log and finish the cut from the opposite side.



# SAFETY INSTRUCTIONS

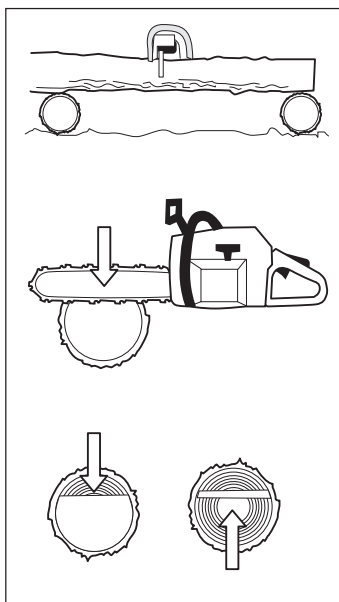
2 The log is supported at one end. There is a high risk that it will split.



A Start by cutting from below (about 1/3 of the way through).

B Finish by cutting from above so that the two cuts meet.

3 The log is supported at both ends. There is a high risk that the chain will jam.

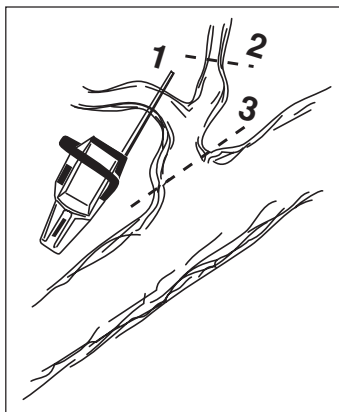


A Start by cutting from above (about 1/3 of the way through).

B Finish by cutting from below so that the two cuts meet.

## Limbing

When limbing thick branches you should use the same approach as for cutting. Cut difficult branches piece by piece.



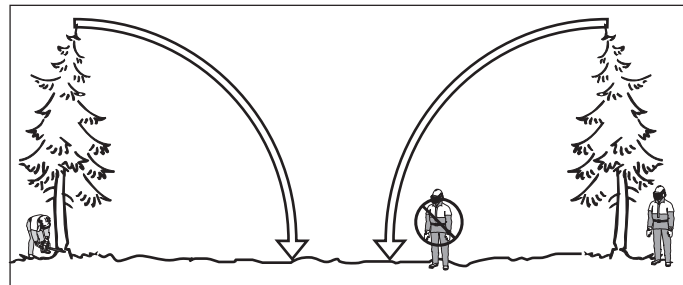
## 3 Tree felling technique



**It takes a lot of experience to fell a tree. Inexperienced users of chain saws should not fell trees. NEVER ATTEMPT A TASK YOU ARE UNSURE OF.**

### A Safe distance

The safe distance between a tree that is to be felled and anyone else working nearby is at least 2 1/2 tree lengths. Make sure that no-one else is in this "risk zone" before or during felling.



### B Felling direction

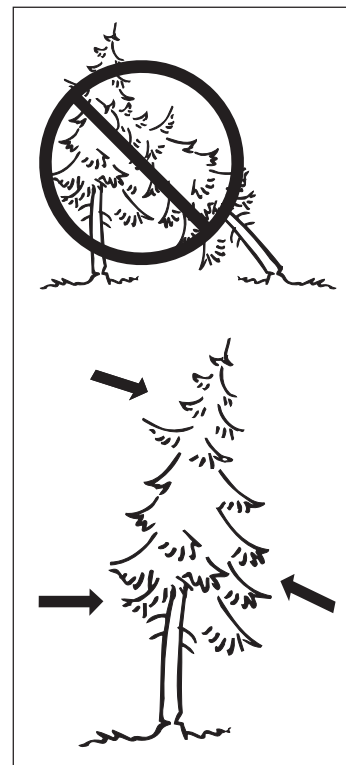
The aim is to fell the tree in the best possible position for subsequent limbing and cross-cutting. You want it to fall on ground where you can move about safely.

The main point to avoid is letting the tree fall onto another tree. It can be both difficult and dangerous to remove a tree in such a position (see point 4 in this section).

Once you have decided which way you want the tree to fall you must judge which way the tree would fall naturally.

Several factors affect this:

- Lean of the tree
- Bend
- Wind direction
- Arrangement of branches
- Weight of snow



You may find you are forced to let the tree fall in its natural direction because it is impossible or dangerous to try to make it fall in the direction you first intended.

Another very important factor, which does not affect the felling direction but does affect your safety, is to make sure the tree has no damaged or dead branches that might break off and hit you during felling.

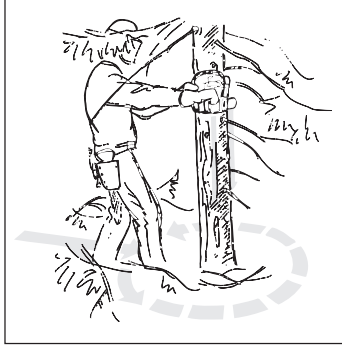


**During critical felling operations, hearing protectors should be lifted immediately when sawing is completed so that sounds and warning signals can be heard.**

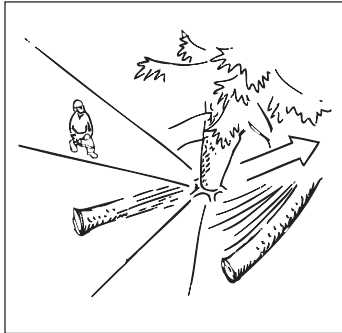
# SAFETY INSTRUCTIONS

## C Clearing the trunk and preparing your retreat

Remove any branches that are in the way. To do this it is best to work from the top down and keep the trunk between you and the chain saw. Never limb above shoulder height.



Remove any undergrowth from the base of the tree and check the area for obstacles (stones, branches, holes, etc.) so that you have a clear path of retreat when the tree starts to fall. Your path of retreat should be roughly 135 degrees behind the intended felling direction.

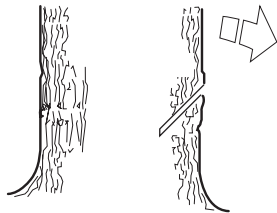


## D Felling

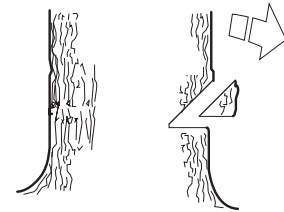
Felling is done using three cuts. First you make the DIRECTIONAL CUTS, which consist of the TOP CUT and the BOTTOM CUT; followed by the FELLING CUT. By placing these cuts correctly you can control the felling direction very accurately.

### DIRECTIONAL CUT

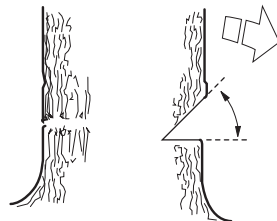
To make the DIRECTIONAL CUT you begin with the TOP CUT. Stand to the right of the tree and cut downwards at an angle.



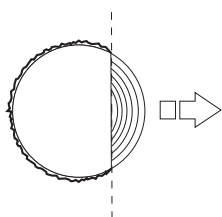
Next make the BOTTOM CUT so that it finishes at the end of the TOP CUT.



The directional cut should run 1/4 of the diameter through the trunk and the angle between the TOP CUT and BOTTOM CUT should be 45°.



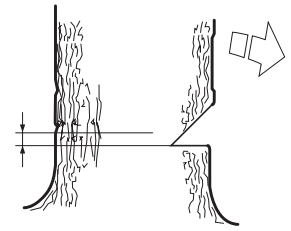
The line where the two cuts meet is called the DIRECTIONAL CUT LINE. This line should be perfectly horizontal and at right angles (90°) to the chosen felling direction.



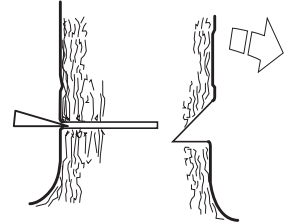
## FELLING CUT

The felling cut is made from the opposite side of the tree and it must be perfectly horizontal. Stand on the left side of the tree and cut with the bottom edge of the bar.

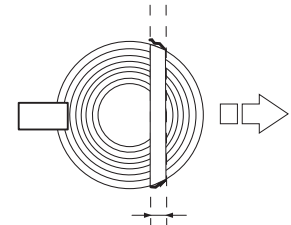
Make the FELLING CUT about 3-5 cm (1.5-2 inches) above the flat section of the DIRECTIONAL CUT.



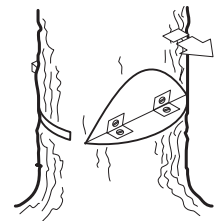
Use full throttle and bring the bar and chain slowly into the tree. Make sure the tree does not start to move in the opposite direction to your intended felling direction. Drive a WEDGE or BREAKING BAR into the cut as soon as it is deep enough.



Finish the FELLING CUT parallel with the DIRECTIONAL CUT LINE so that the distance between them is at least 1/10 of the trunk diameter. The uncut section of the trunk is called the HINGE.



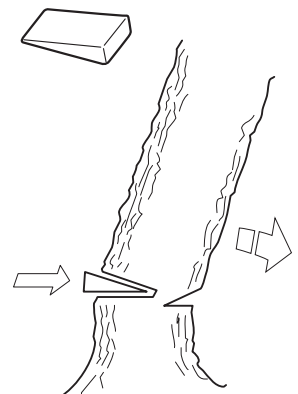
The HINGE act as hinges that control the felling direction of the falling tree.



All control over the felling direction is lost if the HINGE is too narrow or if the directional cut and felling cut are badly placed.



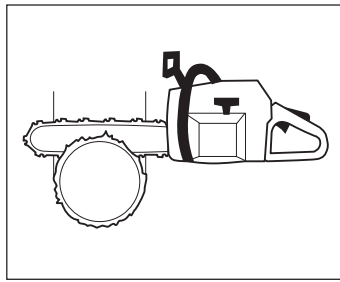
When the felling cut and directional cut are complete the tree should start to fall under its own weight or with the aid of a FELLING WEDGE.



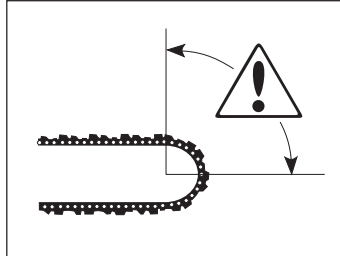


# SAFETY INSTRUCTIONS

We recommend that you use a bar that is longer than the diameter of the tree, so that you can make the FELLING CUT and DIRECTIONAL CUT with single cutting strokes. (See "Technical data" to find out which lengths of bar are recommended for your saw).



There are methods for felling trees with a diameter larger than the bar length. However these methods involve a much greater risk that the kickback zone of the bar will come into contact with the tree.



**UNLESS YOU HAVE SPECIAL TRAINING WE ADVISE YOU NOT TO FELL TREES WITH A DIAMETER LARGER THAN THE BAR LENGTH OF YOUR SAW!**

## E Limbing



**MOST KICKBACK ACCIDENTS HAPPEN DURING LIMBING! PAY CLOSE ATTENTION TO THE POSITION OF THE KICKBACK ZONE OF THE BAR WHEN YOU ARE LIMBING BRANCHES THAT ARE IN TENSION!**

Make sure there are no obstacles in your way. Work on the left side of the trunk. Work close to the saw for maximum control. If possible, let the weight of the saw rest on the trunk.

Keep the tree between you and the saw as you move along the trunk.



## F Cutting the trunk into logs

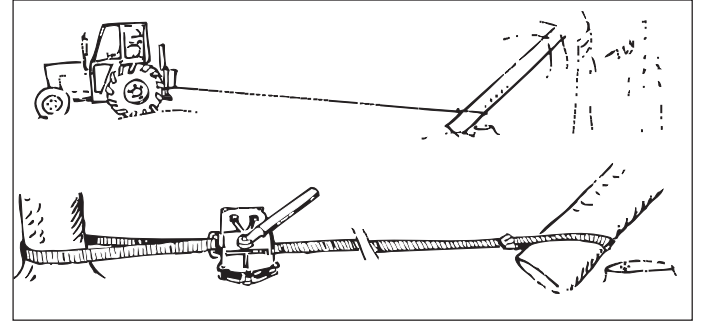
See chapter "General working instructions" point 2 "Basic cutting technique".

## 4 Freeing a tree that has fallen badly = high accident risk

### A Freeing a "Trapped tree"

The safest method is to use a winch.

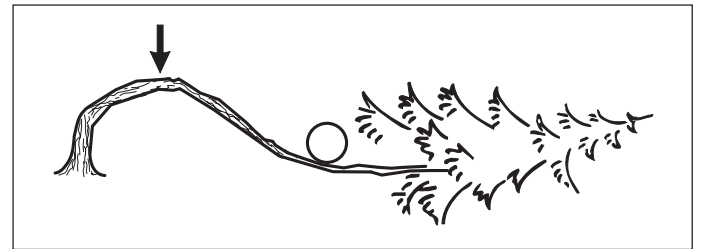
A Tractor-mounted      B Portable



### B Cutting trees and branches that are in tension

**Preparations:**

- Work out which way the tree or branch will move if released and where the natural "BREAKING POINT" is (i.e. the place it would break if it was bent even more).

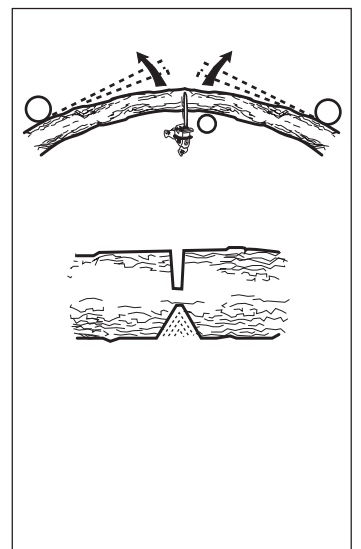


- Decide which is the SAFEST way to release the tension and whether YOU are able to do it safely. In complicated situations the only safe method is to put aside your chain saw and use a winch.

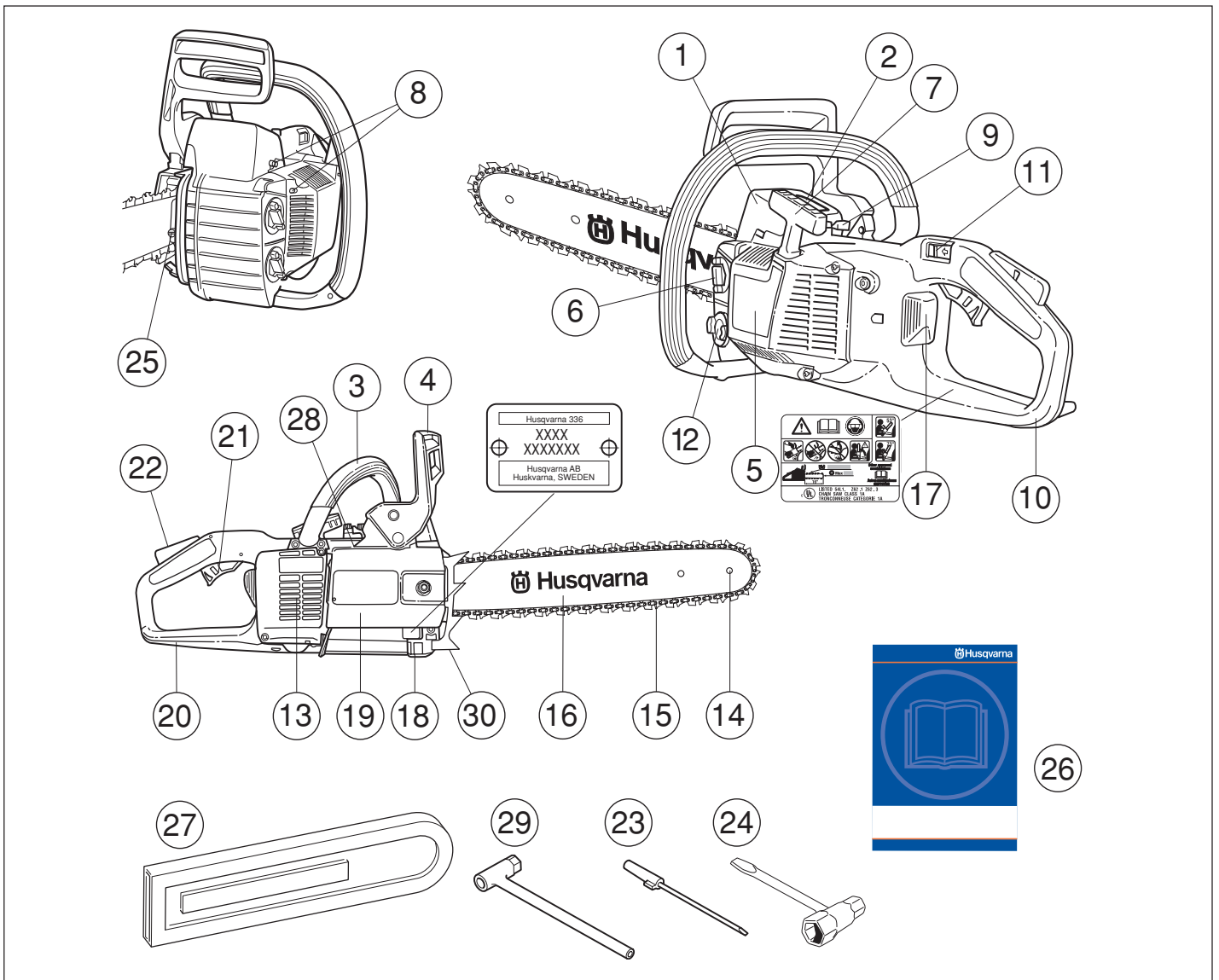
### General advice:

- Position yourself so that you will be clear of the tree or branch when it springs free.
- Make one or more cuts at or near the BREAKING POINT. Make as many cuts of sufficient depth as necessary to reduce the tension and make the tree or branch break at the BREAKING POINT.

**Never cut straight through a tree or branch that is in tension!**



# WHAT IS WHAT?



## What is what?

1. Filter cover.
2. Air Purge
3. Front handle.
4. Front hand guard.
5. Starter.
6. Chain oil tank.
7. Starter handle.
8. Adjuster screw, carburettor.
9. Choke control/Start throttle lock.
10. Rear handle.
11. Stop switch:
  - Ignition on/off switch.
12. Fuel tank.
13. Muffler.
14. Bar tip sprocket.
15. Saw chain.
16. Bar.
17. Spark plug cover.
18. Chain catcher. Catches chain if it jumps or breaks.
19. Clutch cover with integrated chain brake.
20. Right hand guard. Protects the right hand if the chain snaps or jumps off.
21. Throttle control.
22. Throttle lock. Prevents accidental operation of throttle control.
23. Screwdriver.
24. Combination spanner.
25. Chain tensioning screw.
26. Operator's manual.
27. Bar guard.
28. Adjuster screw, oil pump.
29. Spark plug spanner

# ASSEMBLY

## Mounting guide bar and chain

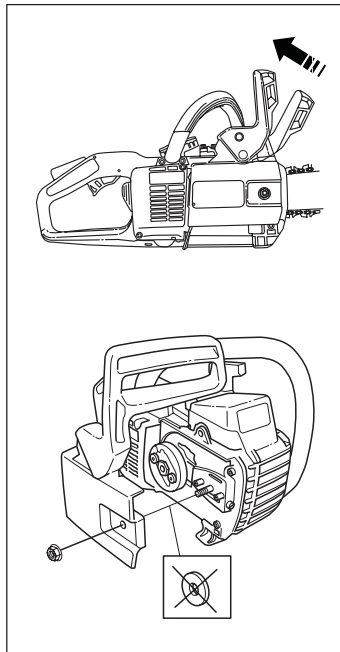


Always wear gloves, when working with the chain, in order to protect your hands from injury.

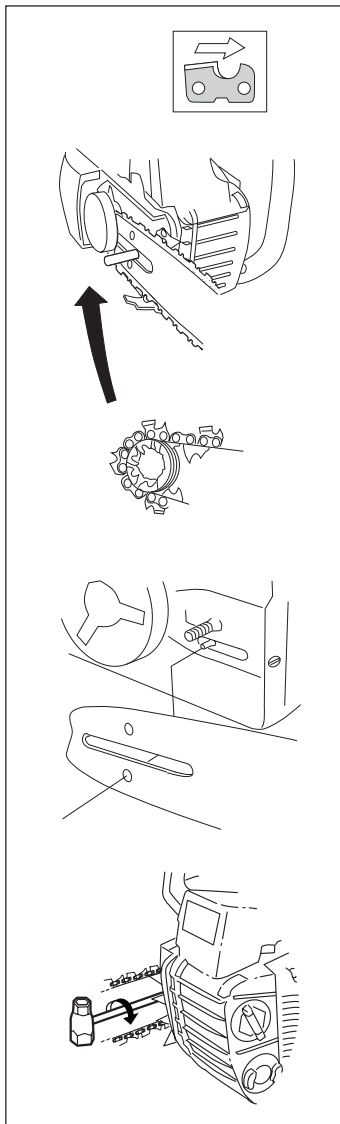


Check that the chain brake is in disengaged position by moving the front hand guard towards the front handle.

Unscrew the nut and remove the clutch cover (chain brake). Take off the transportation ring (A).



Fit the bar over the bar bolts. Place the bar in its rearmost position. Place the chain over the drive sprocket and in the groove on the bar. Begin on the top side of the bar. Make sure that the edges on the cutting links are facing forward on the top side of the bar.

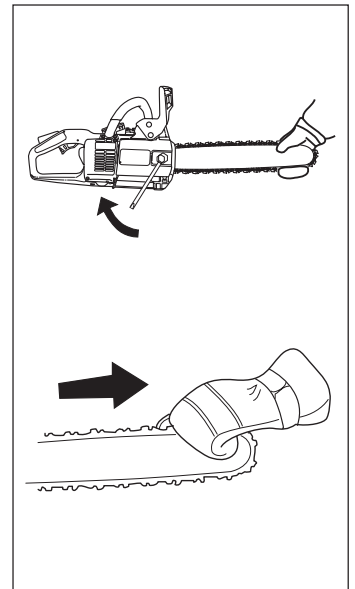


Fit the clutch cover and locate the chain adjuster pin in the hole on the bar. Check that the drive links of the chain fit correctly on the drive sprocket and that the chain is in the groove on the bar. Tighten the bar nuts finger tight. Tension the chain by using the combination wrench. Turn the chain adjuster screw clockwise. The chain should be tensioned until it fits snugly on the underside of the bar.



Hold up the tip of the bar and tighten the chain. The chain is correctly tensioned when there is no slack on the underside of the bar, but it can still be turned easily by hand. Hold up the bar tip and tighten the bar nuts with the combination wrench.

When fitting a new chain, the chain tension has to be checked frequently until the chain is run-in. Check the chain tension regularly. A correctly tensioned chain gives good cutting performance and long lifetime.



# FUEL HANDLING

## Fuelmix

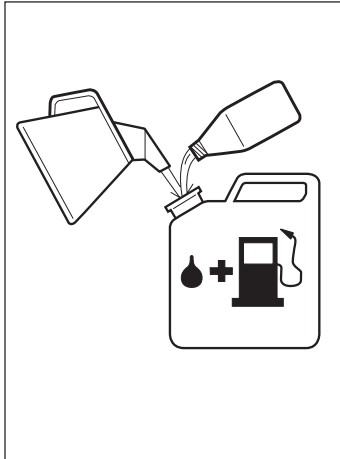
**IMPORTANT!** The chain saw is equipped with a two-stroke engine and must always be run using a mixture of gasoline and two-stroke engine oil. It is important to accurately measure the amount of oil to be mixed to ensure that the correct mixture is obtained. When mixing small amounts of fuel, even small inaccuracies can drastically affect the ratio of the mixture.



**Always provide for good ventilation when handling fuel.**



## Gasoline

- This engine is certified to operate on unleaded gasoline.
- Use good quality unleaded gasoline.
- The lowest recommended octane rating is 87. If you run the engine on lower octane rating than 87 so-called "knocking" can occur. This leads to an increased engine temperature, which can result in a serious engine breakdown.
- When working at continuous high revs a higher octane rating is recommended.



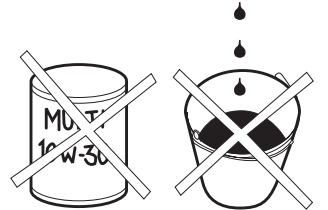
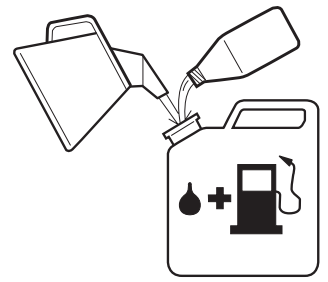
## Two-stroke oil

- For the best results use HUSQVARNA two-stroke oil, which is especially developed for chain saws. Mixing ratio 1:50 (2%).
- Never use two-stroke oil intended for water cooled outboard engines, so-called, outboard oil.
- Never use oil intended for four-stroke engines.

 Gasoline	 Oil 2%(1:50)
Lit.	Lit.
5	0,10
10	0,20
15	0,30
20	0,40
US gallon	US fl. oz.
1	2 1/2
2 1/2	6 1/2
5	12 7/8

## Mixing

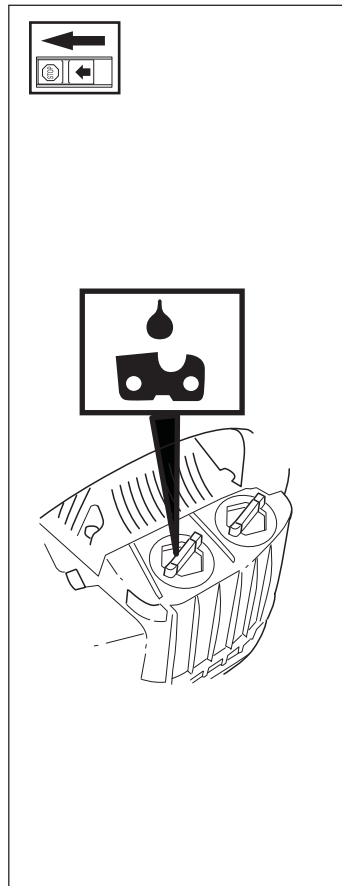
- Always mix the gasoline and oil in a clean container intended for fuel.
- Always start by filling half the amount of the gasoline to be used. Then add the entire amount of oil. Mix (shake) the fuel mixture. Add the remaining amount of gasoline.
- Mix (shake) the fuel mixture thoroughly before filling the saw's fuel tank.
- Do not mix more than max. one month's supply of fuel.
- If the saw is not used for some time the fuel tank should be emptied and cleaned.
- This engine is certified to operate on unleaded gasoline.



# FUEL HANDLING

## Chain oil

- The chain lubrication system is automatic. Always use special chain oil with good adhesive characteristics.
- In countries where no special chain oil is available, EP 90 transmission oil can be used.
- Never use waste oil. This results in damage to the oil pump, the bar and the chain.
- It is important to use oil of the right viscosity according to the air temperature.
- In temperatures below 0°C (32°F) some oils become too viscous. This can overload the oil pump and result in damage to the oil pump components.
- Contact your servicing dealer when choosing chain oil.



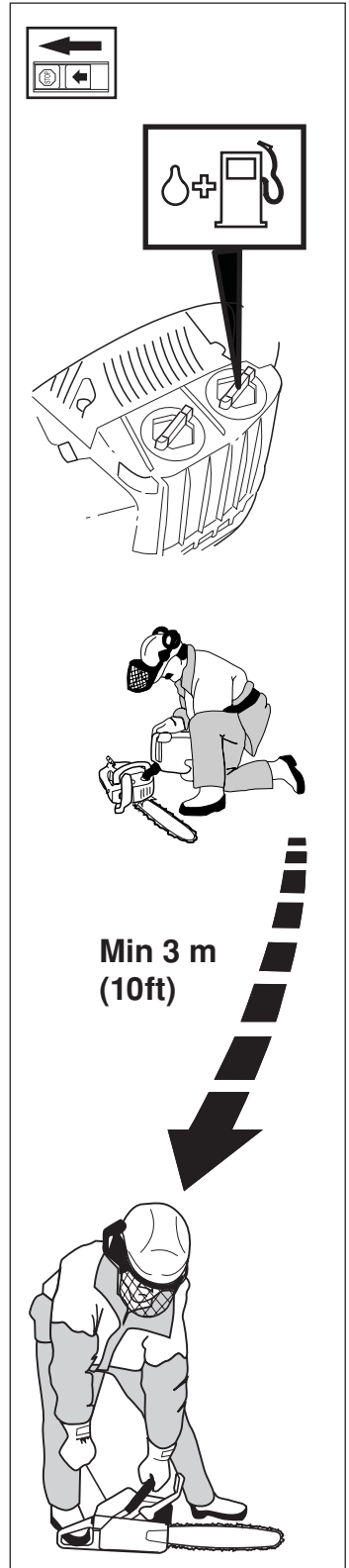
## Fuelling



Taking the following precautions, will lessen the risk of fire.

- Do not smoke or place warm objects in the vicinity of the fuel.
- Always shut off the engine before refuelling.
- Slowly open the fuel cap, when filling fuel, so that possible overpressure is slowly released.
- Tighten the fuel cap carefully after fuelling.
- Always move the saw from the fuelling area before starting.

Clean around the fuel cap. Clean the fuel and chain oil tanks regularly. The fuel filter should be changed at least once a year. Contamination in the fuel tanks causes malfunction. Make sure the fuel is well mixed by shaking the container before fuelling. The volume of chain oil and fuel tanks are adjusted to each other. Therefore, always fill chain oil and fuel at the same time.



# START AND STOP

## Start and stop



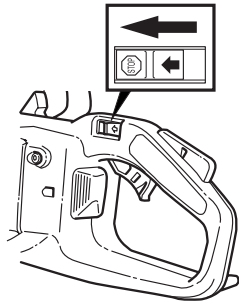
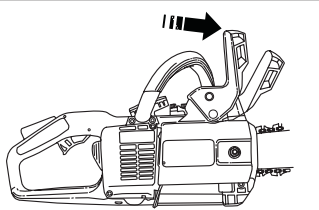
### WARNING!

- Never start the saw engine without the bar, chain and clutch cover (chain brake) assembled - or else the clutch can come loose and cause personal injuries.
- Always move the saw away from the fueling area before starting.
- Place the saw on clear ground and make sure that the chain is not contacting anything. Also, make sure that you have a secure footing.
- Keep people and animals well away from the working area.

## Cold engine

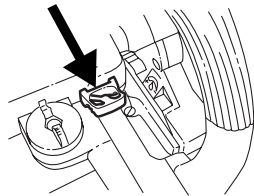
### STARTING:

The chain brake should be activated when starting the chain saw. Activate the chain brake by pushing the front hand guard forwards.



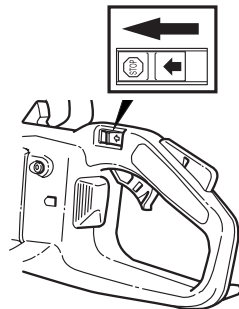
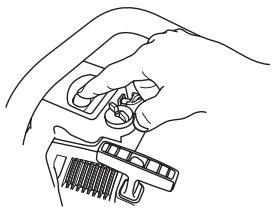
IGNITION: Set the stop switch to the start position.

CHOKE: Set the choke control in the choke position.



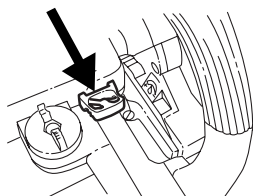
### AIR PURGE:

Press the air purge diaphragm repeatedly until fuel begins to fill the diaphragm. The diaphragm need not be completely filled.



## Warm engine

Use the same procedure as for starting cold engine but without choke. Fast idle is received by first set the choke control in choke position, and then back again.



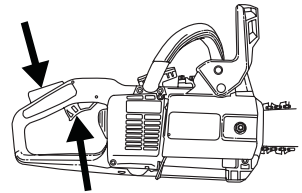
## Start

Activate the chain brake by pushing the front hand guard forward.

Grip the front handle with your left hand and hold the saw down by putting your right foot in the rear handle. Pull the starter handle with your right hand and pull out the starter cord slowly until the starter pawls engage. Then pull sharply. **Never twist the starter cord around your hand.**

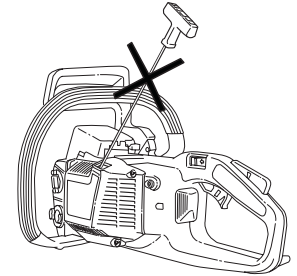


As the chain brake is still engaged the speed of the engine must be set to idling as soon as possible, this is achieved by quickly disengaging the throttle lock. This prevents unnecessary wear to the clutch, clutch drum and brake band.



Slide the control to its start throttle position when the engine fires and make repeated attempts until the engine starts.

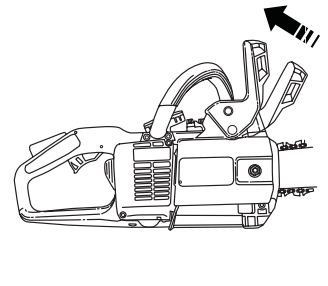
When the engine starts, quickly apply full throttle to automatically disengage fast idle.



Disengage the chain brake by pulling the front hand guard backwards.

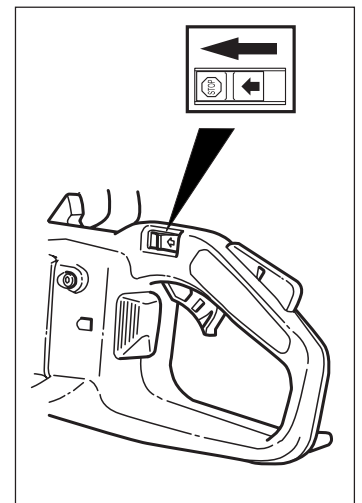
**CAUTION!** Do not release the starter handle from fully pulled out position as this can cause damage on the saw.

Reactivate the chain brake by pushing the front hand guard back towards the front handle. The chain saw is now ready for use.



## Stop

The engine is stopped by switching off the ignition.



## Storage

The saw should always be stored upright on a flat surface.



# MAINTENANCE

## Carburetor

Your Husqvarna product has been designed and manufactured to specifications that reduce harmful emissions. After your unit has been run 8-10 tanks of fuel the engine has broken in. To ensure that your unit is at peak performance and producing the least amount of harmful emissions after break in, have your authorized servicing dealer, who has a revolution counter at his disposal, to adjust your carburetor for optimum operating conditions.

### Functioning, Basic setting, Final setting



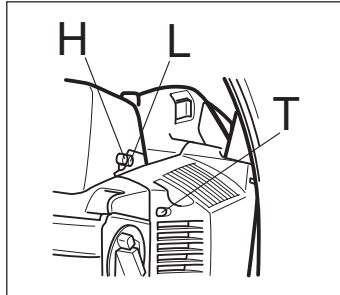
**WARNING! Do not start the saw without the bar, chain and clutch cover (chain brake) assembled. If you do, the clutch might come loose and cause severe injuries.**

### Operation

- The carburetor governs the engine speed via the throttle. Air/fuel are mixed in the carburetor. The air/fuel mixture is adjustable. To take advantage of the engine's optimal output the setting must be correct.
- The setting of the carburetor means that the engine is adapted to local conditions, for example, the climate, altitude, fuel and the type of 2-stroke oil.

- The carburetor has three adjustment possibilities:

L = Low speed jet.  
H = High speed jet.  
T = Adjustment screw for idling.



- The fuel quantity required in relation to the air flow, provided by opening the throttle, is adjusted by the L and H-jets. If they are screwed clockwise the air/fuel ratio becomes leaner (less fuel) and if they are turned counter-clockwise the ratio becomes richer (more fuel). A leaner mixture gives a higher engine speed and a richer mixture give a lower engine speed.
- The T screw regulates the idling speed. If the screw T is turned clockwise this gives a higher idling speed; counter-clockwise a lower idling speed.

### Basic setting and running in

The carburetor is set to its basic setting when test run at the factory. The basic setting should be kept during the machine's first working hours. Thereafter the carburetor should be finely adjusted. Fine adjustment should be carried out by a skilled technician.

NOTE! If the chain rotates while idling the T screw should be adjusted counter-clockwise until it stops.

**Recommended idling speed: 2 800 rpm.**



**Contact your servicing dealer, if the idle speed setting cannot be adjusted so that the chain stops. Do not use the saw until it has been properly adjusted or repaired.**

### Fine adjustment

- When the saw has been "run-in" the carburetor should be finely adjusted. **The fine adjustment should be carried out by qualified person.** First adjust the L-jet, then the idling screw T and then the H-jet.

### Conditions

- Before any adjustments are made the air filter should be clean and the cylinder cover fitted. Adjusting the carburetor while a dirty air filter is in use will result in a leaner mixture when the filter is finally cleaned. This can give rise to serious engine damage.
- Carefully turn the L needle to the mid point and H needle counter-clockwise against the stop.
- **Do not attempt to adjust the needles beyond the stops as damage can occur.**
- Now start the saw according to the starting instructions and run it warm for 10 minutes.  
**NOTE! If the chain rotates the T screw should be turned counter-clockwise until the chain stops.**
- Place the saw on a flat surface so that the bar points away from you and so that the bar and chain do not come into contact with the surface or other objects.

### Low speed needle L

Turn the low speed needle L clockwise until the stop. If the engine has bad acceleration or erratic idling, turn the L needle counter-clockwise until good idling and acceleration.

**NOTE! If the chain rotates in the idling position, turn the idling speed screw T counter-clockwise until the chain stops.**

### Final setting of the idling speed T

Adjust the idling speed with the screw T. If it is necessary to re-adjust, first turn the idle speed adjusting screw T clockwise, until the chain starts to rotate. Then turn, counter-clockwise until the chain stops. A correctly adjusted idle speed setting occurs when the engine runs smoothly in every position. It should also be good margin to the rpm when the chain starts to rotate.

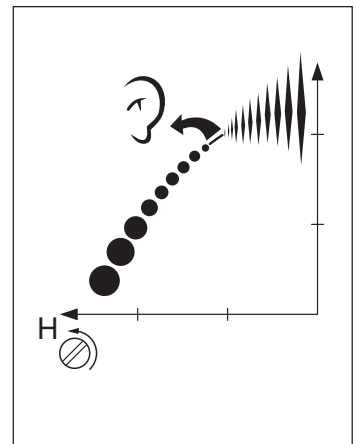


**Contact your servicing dealer, if the idle speed setting cannot be adjusted so that the chain stops. Do not use the saw until it has been properly adjusted or repaired.**

### High speed needle H

The high speed needle H influences the power of the saw. A too lean adjusted high speed needle H (high speed needle H turned too much clockwise) gives overrevs and damages the engine. Do not allow the engine to run at full speed for more than 10 seconds. Turn the high speed needle H counter-clockwise until the stop. If the engine runs roughly, turn the high speed needle slowly the minimum amount clockwise until the engine runs smoothly.

The high speed needle H is correctly set when the saw "4-cycles" a little. If the saw "whistles" the setting is too lean. If there is too much exhaust gas at the same time as the saw "4-cycles" much, the setting is too rich. Turn the high speed needle H until the setting sounds correct. **NOTE! For optimum setting of the carburetor, contact a qualified servicing dealer who has a revolution counter at his disposal.**



### Correctly adjusted carburetor

A correctly adjusted carburetor means that the saw accelerates without hesitation and the saw preferably 4-cycles a little at max speed. Furthermore, the chain must not rotate at idling. A too lean adjusted low speed needle L may cause starting difficulties and bad acceleration. A too lean adjusted high speed needle H gives lower power=less capacity, bad acceleration and/or damage to the engine. A too rich adjustment of the two speed needles L and H gives acceleration problems or too low working speed.



# MAINTENANCE

## Starter device



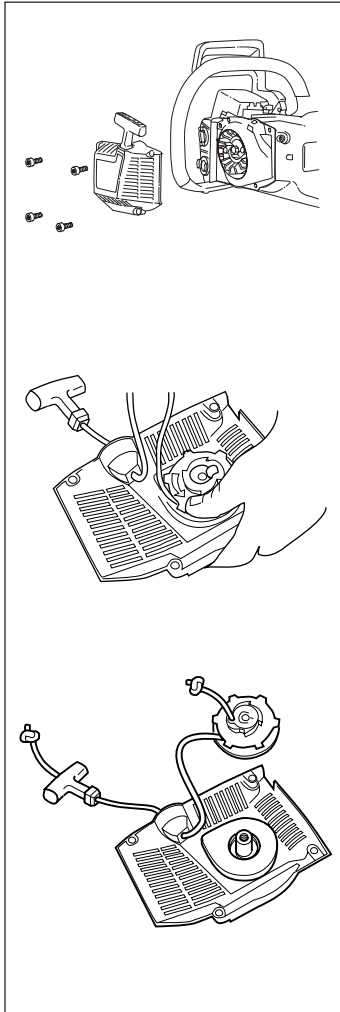
### WARNING!

- The recoil spring is in its tensioned position in its cassette in the starter device. If the spring is handled carelessly, it can pop out and cause personal injury..
- Always be careful, when changing the recoil spring or the starter cord. Always wear safety goggles for eye protection.

## Changing a broken or worn starter cord

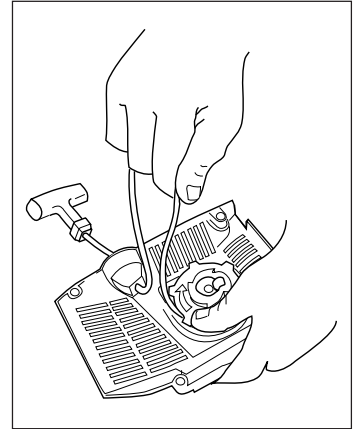


- Loosen the screws, that hold the starter device against the crankcase and remove the starter device.
- Pull out the cord approx. 30 cm and lift it up into the notch in the pulley. Zero-set the recoil spring by letting the pulley rotate slowly backwards. Undo the screw in the centre of the pulley and remove the pulley.
- Insert and fasten a new starter cord in the pulley. Wind approx. 3 turns of the starter cord on to the pulley. Assemble the starter pulley against the recoil spring, so the end of the spring engages to the pulley. Fit the screw in the centre of the pulley. Carry the starter cord through the hole in the starter housing and the starter handle. Make a knot on the starter cord.



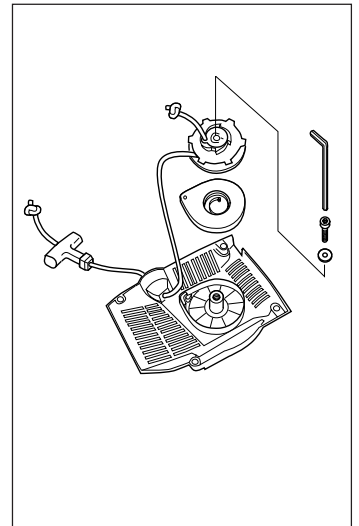
## Tensioning the recoil spring

- Lift the starter cord up in the notch on the starter pulley and turn the starter pulley 2 turns clockwise.
- NOTE! Check that the starter pulley can be turned at least half a turn, when the starter cord is entirely pulled out.



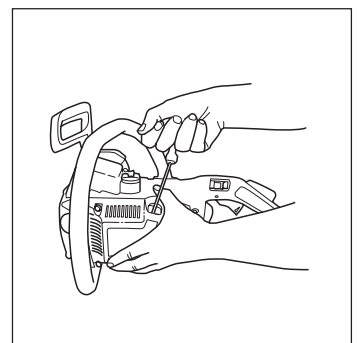
## Changing the broken recoil spring

- Lift the starter pulley. (See, "Changing a broken or worn starter cord").
- Dismantle the recoil spring cassette by lifting it up out of the starter device. Make sure that the spring does not pop out and cause personal injury.
- Lubricate the new recoil spring with thin oil without removing the spring out of the cassette.
- Fit the new spring cassette.
- Fit the cord pulley and retension the recoil spring.



## Starter device assembly

- Assemble the starter device, by pulling the starter cord out first, then place the starter against the crankcase. Then slowly release the starter cord so that the pulley engages with the pawls.
- Assemble and tighten the screws, which hold the starter.



# MAINTENANCE

## Air filter

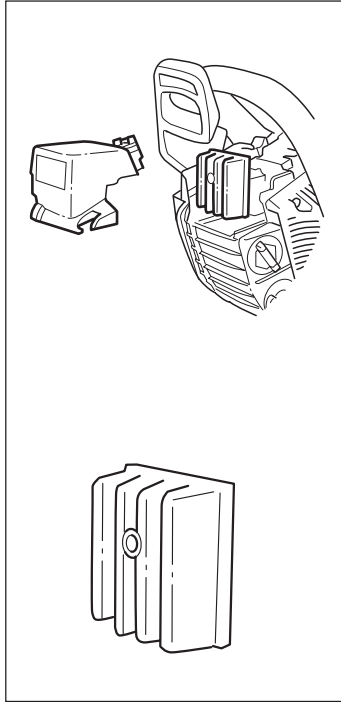
Dust and dirt should be regularly cleaned from the air filter and the area around the carburettor to avoid:

- Carburetor malfunctions
- Starting problems
- Engine power reduction
- Unnecessary wear on the engine parts
- Abnormal fuel consumption



Clean the air filter daily or more often if the air is exceptionally dusty in the working area.

- Disassemble the air filter by removing its cover and take out the filter. When reassembling, make sure that the filter is tight against the filter holder. Shake or brush clean the filter and the area around the carburettor.
- A more thorough cleaning of the filter is obtained by washing it in water and soap.



An air filter, which is used for some time, cannot be cleaned completely. Therefore it must be replaced by a new one, with regular intervals.

**IMPORTANT!** A damaged air filter must always be replaced.

## Spark plug

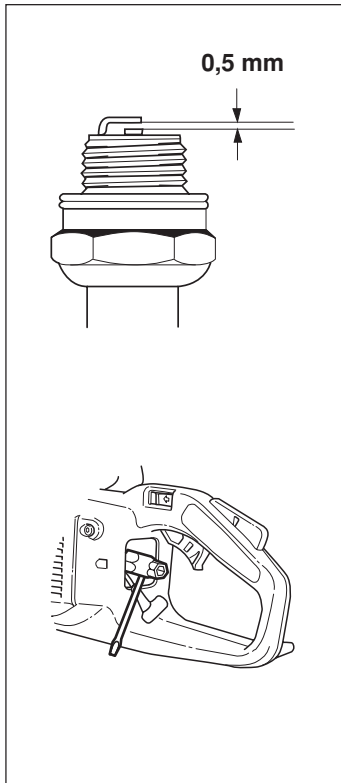


The spark plug condition is influenced by:

- An incorrect carburetor setting.
- Wrong fuel mixture (too much oil in the gasoline).
- A dirty air filter.

These factors cause deposits on the spark plug electrodes, which may result in malfunction and starting difficulties.

**If the engine is low on power, difficult to start or runs poorly at idling speed, always check the spark plug first.** If the spark plug is dirty, clean it and check the electrode gap. Readjust if necessary. The correct gap is 0,5 mm (0.02"). The spark plug should be replaced after about a month in operation or earlier if the electrodes are badly eroded.

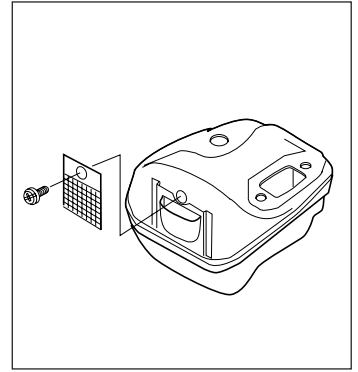


**IMPORTANT!** Always use the recommended spark plug type. An incorrect spark plug can severely damage the piston/cylinder.

## Muffler



The muffler is designed in order to reduce the noise level and to direct the exhaust gases away from the operator. The exhaust gases are hot and can contain sparks, which may cause fire if directed against dry and combustible material. Some mufflers are equipped with a special screen.



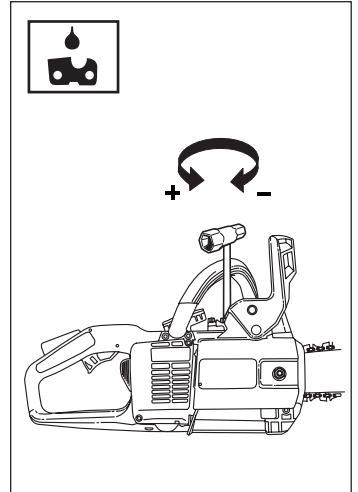
If your saw has this type of muffler, you should clean the screen at least once a week. This is done with a wire brush.

**CAUTION!** The screen must be replaced, if damaged. The saw will be overheated, if the screen is clogged. This results in damage on the cylinder and the piston. Never use a saw with a clogged or defective muffler.

## Adjustment of the oil pump



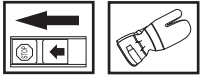
The oil pump is adjustable. Adjustments are made by turning the screw using a screwdriver or combination spanner. The saw is supplied from the factory set to 1 turn open. Turning the screw clockwise will reduce the oil flow and turning the screw anti-clockwise will increase the oil flow. **NOTE!** Max 1 1/2 turns.



**WARNING!** The engine must not be running when making adjustments.

# MAINTENANCE

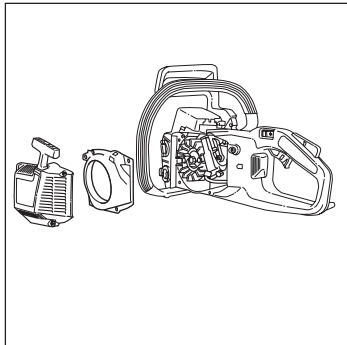
## Cooling system



To obtain optimal running temperature the saw is equipped with a cooling system.

The cooling system consists of:

1. Air intake on the starter unit.
2. Air guide plate.
3. Fan blades on the flywheel.
4. Cooling fins on the cylinder.

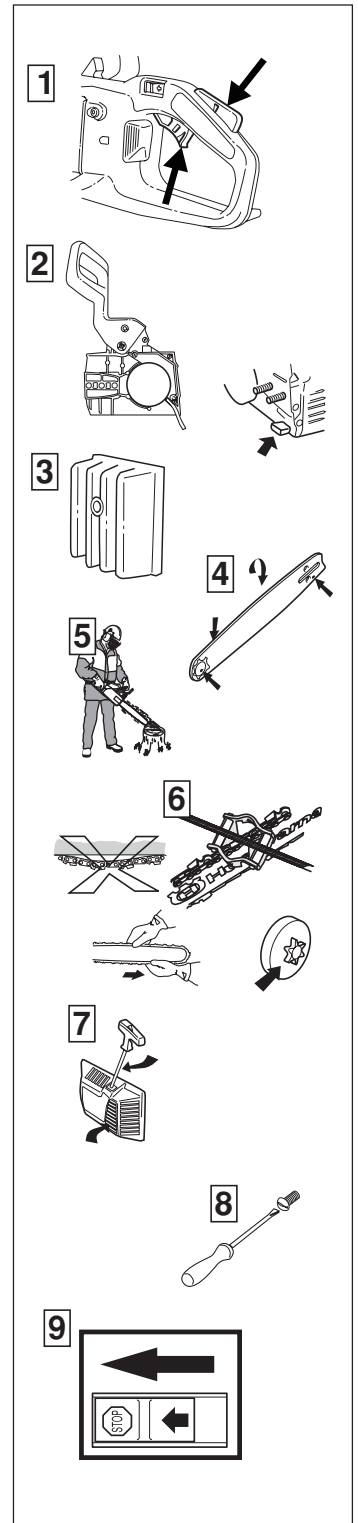


Clean the cooling system with a brush once a week, more often in demanding conditions. **A dirty or blocked cooling system results in the saw overheating which causes damage to piston and cylinder.**

Below you will find some general maintenance instructions. If you have more questions, contact your servicing dealer.

## Daily maintenance

1. Check the throttle trigger for smooth operation. If any binding occurs, or if engine fails to return to idle, the saw should be taken to your dealer, before it is used again. Also, be sure that the trigger cannot be pulled until the throttle trigger lockout is depressed.
2. Clean the chain brake and check its function according to the instructions. Make sure that the chain catcher is undamaged. Otherwise replace it immediately.
3. Clean the air filter and the area around the carburettor. Replace the air filter if necessary.
4. The bar should be turned daily for more even wear. Check the lubrication hole in the bar, to be sure it is not clogged. Clean the bar groove and lubricate the bar sprocket tip.
5. Check the function of the oiler to be sure the bar and chain receive proper lubrication.
6. Sharpen the chain and check its tension and condition. Check the drive sprocket for wear. Replace if necessary.
7. Check the starter and starter cord for wear or damage. Clean the air intake slots on the starter housing.
8. Check for any loose nuts and screws and retighten if necessary.
9. Test the stop switch to be sure it shuts off the engine.



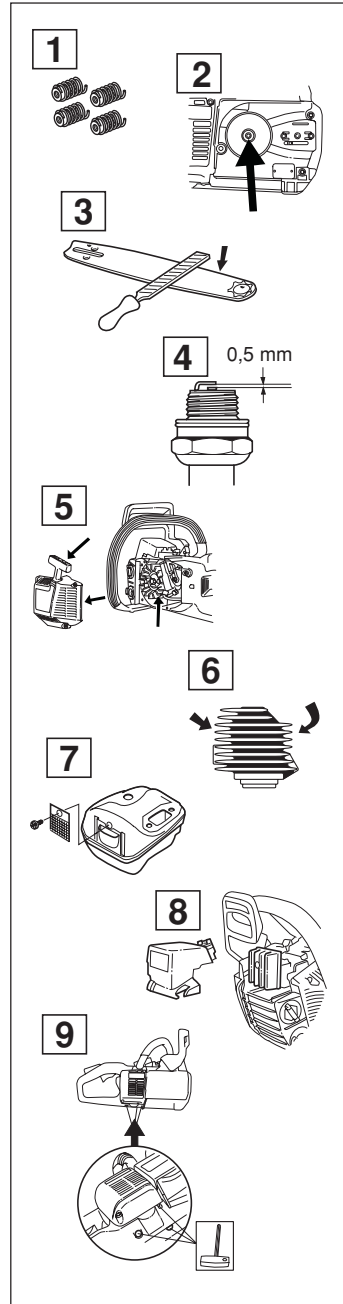
## Long-term storage

Empty the fuel/oil tanks in a well ventilated area. Store the fuel in approved cans in a safe place. Fit the bar guard. Clean the machine. See weekly maintenance.

# MAINTENANCE

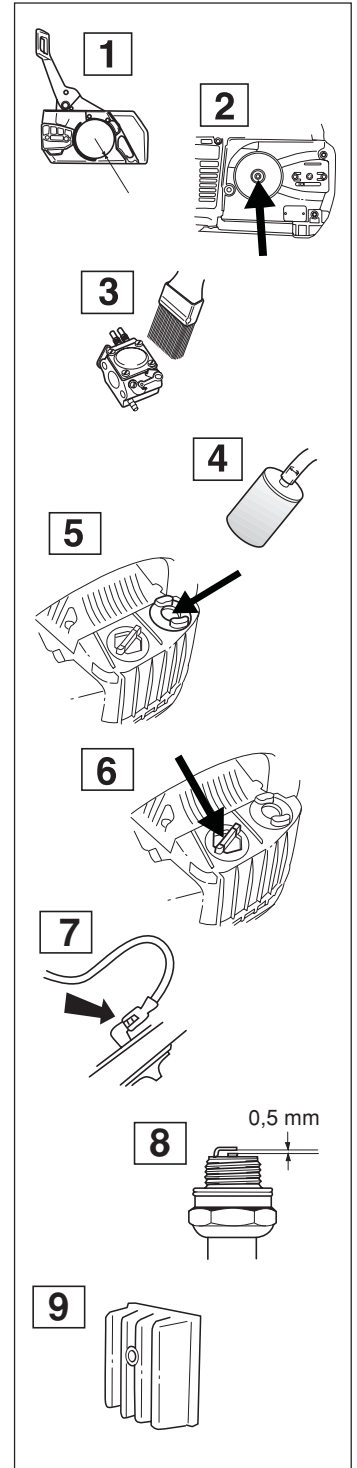
## Weekly maintenance

1. Check that the AV elements are not soft or torn.
2. Lubricate the clutch drum bearing.
3. File off burrs, if any, on the sides of the bar.
4. Clean the spark plug and check the gap. The correct gap is 0,5 mm (.02 inch).
5. Check the starter and the recoil spring. Clean the fins on the flywheel.
6. Clean the cooling fins on the cylinder.
7. Clean or change the screen in the muffler.
8. Clean the carburetor body and air box.
9. Retighten all bolts on the muffler.



## Monthly maintenance

1. Check the brake band on the chain brake for wear.
2. Check the clutch centre, clutch drum and clutch spring for wear.
3. Clean the outside of the carburetor.
4. Change the fuel filter.
5. Flush the inside of the fuel tank with gasoline.
6. Flush the inside of the oil tank with gasoline.
7. Check all cables and connections.
8. Change the spark plug.
9. Change the air filter.



# TECHNICAL DATA

**336**

**Engine**

Cylinder volume, cu.in/cm <sup>3</sup>	2,15/35,2
Cylinder bore, inch/mm	1,5/38
Stroke, inch/mm	1,22/31
Idle speed, rpm	2 800
Power, kW/ rpm	1,5/ 9 600

**Ignition system**

Manufacture	SEM
Type of ignition system	CD
Spark plug	NGK BPMR 7A Champion RCJ 7Y
Electrode gap, inch/mm	0,02/0,5

**Fuel and lubrication system**

Manufacturer	Zama
Carburetor type	C1Q EL20
Fuel capacity, US pint/litre	0,76/0,36
Oil pump capacity at 8 500 rpm, ml/min	3-7
Oil capacity, US pint/litre	0,43/0,2
Type of oil pump	Automatic

**Weight**

Without bar and chain, Lbs/kg	8,4/3,8
-------------------------------	---------

**Chain/bar**

Standard bar length, inches/cm	13"/33
Recommended bar lengths, inches/cm	12-16"/30-41
Usable cutting length, inches/cm	11-15"/28-38
Chain speed at max. power, m/sec	18,3
Pitch, inch	0,325"/8,25
Thickness of drive link, inch/mm	0,050"/1,3
Number of teeth on drive sprocket	7

**RECOMMENDED CUTTING EQUIPMENT FOR CANADA**

The following is a list of recommended cutting equipment for Class 1A and 1B Chainsaws.

The combinations of powerhead, bar and chain meet all requirements outlined in the CSA Z62.1-95 Chainsaws and Z62.3-96 Chainsaw Kickback standards.

The guide bar nose radius is determined by either the maximum number of teeth in the nose sprocket or the corresponding maximum nose radius of a solid bar.

As we are listing the maximum guide bar nose radius, you may use a guide bar with smaller nose radius than in our list. For guide bars of the same length, all sprocket-nose guide bars of the same pitch and having the same number of sprocket teeth may be considered to have equivalent kickback energy.

A hard nose bar having the same length and nose radius as a sprocket-nose bar may be considered to have equivalent or less kickback energy than the sprocket-nose bar.

We recommend that you as replacement use the listed bars and chains or "Type C Low-Kickback Saw Chains" which are available at your dealer.

Guide bar			Saw chain	
Length inch	Pitch inch	Max nose radius		
12	3/8	9T	Husqvarna S36x or Oregon 91VS	
14	3/8	9T		
16	3/8	9T		
13	0,325	10T	Husqvarna H30 or Oregon 95VP	
15	0,325	10T		
16	0,325	10T		

Type	Inch	Inch/mm	Inch/mm	Angle	Angle	Angle	Inch/mm	Inch/cm: dl
S36x 91VS	3/8"	0,050"/1,3	5/32" /4,5	60°	30°	0°	0,025"/0,65	12"/30:45 14"/34:52 16"/41:56
H30 95VP	0,325"	0,050"/1,3	3/16" /4,8	60°	30°	10°	0,025"/0,65	13"/33:56 15"/38:64 16"/41:66



# EMISSION CONTROL WARRANTY STATEMENT

## YOUR WARRANTY RIGHTS AND OBLIGATIONS

The EPA (The US Environmental Protection Agency), Environment Canada and Husqvarna Forest & Garden are pleased to explain the emissions control system warranty on your 2002 and later small nonroad engine. In U.S. and Canada, new small nonroad engines must be designed, built and equipped to meet the federal stringent anti-smog standards. Husqvarna Forest & Garden must warrant the emission control system on your small nonroad engine for the periods of time listed below provided there has been no abuse, neglect or improper maintenance of your unit. Your emission control system includes Parts such as the carburetor and the ignition system.

Where a warrantable condition exists, Husqvarna Forest & Garden will repair your small nonroad engine at no cost to you. Expenses covered under warranty include diagnosis, parts and labor.

## MANUFACTURER'S WARRANTY COVERAGE

The 2002 and later small nonroad engines are warranted for two years. If any emission related part on your engine (as listed above) is defective, the part will be repaired or replaced by Husqvarna Forest & Garden.

## OWNER'S WARRANTY RESPONSIBILITIES

As the small nonroad engine owner, you are responsible for the performance of the required maintenance listed in your Operator's Manual. Husqvarna Forest & Garden recommends that you retain all receipts covering maintenance on your small nonroad engine, but Husqvarna Forest & Garden cannot deny warranty solely for the lack of receipts or for your failure to ensure the performance of all scheduled maintenance.

As the small nonroad engine owner, you should, however, be aware that Husqvarna Forest & Garden may deny you warranty coverage if your small nonroad engine or a part of it has failed due to abuse, neglect, improper maintenance, unapproved modifications or the use of parts not made or approved by the original equipment manufacturer.

You are responsible for presenting your small nonroad engine to a Husqvarna Forest & Garden authorized servicing dealer as soon as a problem exists. The warranty repairs should be completed in a reasonable amount of time, not to exceed 30 days.

If you have any questions regarding your warranty rights and responsibilities, you should contact your nearest authorized servicing dealer or call Husqvarna Forest & Garden at **1-800-487-5963**.

## WARRANTY COMMENCEMENT DATE

The warranty period begins on the date small nonroad engine is delivered.

## LENGTH OF COVERAGE

Husqvarna Forest & Garden warrants to the initial owner and each subsequent purchaser that the engine is free from defects in materials and workmanship which cause the failure of a warranted part for a period of two years.

## WHAT IS COVERED

### REPAIR OR REPLACEMENT OF PARTS

Repair or replacement of any warranted part will be performed at no charge to the owner at an approved Husqvarna Forest & Garden servicing dealer. If you have any questions regarding your warranty rights and responsibilities, you should contact your nearest authorized servicing dealer or call Husqvarna Forest & Garden at **1-800-487-5963**.

### WARRANTY PERIOD

Any warranted part which is not scheduled for replacement as required maintenance, or which is scheduled only for regular inspection to the effect of "repair or replace as necessary" shall be warranted for 2 years. Any warranted part which is scheduled for replacement as required maintenance shall be warranted for the period of time up to the first scheduled replacement point for that part.

### DIAGNOSIS

The owner shall not be charged for diagnostic labor which leads to the determination that a warranted part is defective, if the diagnostic work is performed at an approved Husqvarna Forest & Garden servicing dealer.

### CONSEQUENTIAL DAMAGES

Husqvarna Forest & Garden may be liable for damages to other engine components caused by the failure of a warranted part still under warranty.

## WHAT IS NOT COVERED

All failures caused by abuse, neglect or improper maintenance are not covered.

### ADD -ON OR MODIFIED PARTS

The use of add-on or modified parts can be grounds for disallowing a warranty claim. Husqvarna Forest & Garden is not liable to cover failures of warranted parts caused by the use of add-on or modified parts.

## HOW TO FILE A CLAIM

If you have any questions regarding your warranty rights and responsibilities, you should contact your nearest authorized servicing dealer or call Husqvarna Forest & Garden at **1-800-487-5963**.

## WHERE TO GET WARRANTY SERVICE

Warranty services or repairs shall be provided at all Husqvarna Forest & Garden authorized servicing dealers.

## MAINTENANCE, REPLACEMENT AND REPAIR OF EMISSION-RELATED PARTS

Any Husqvarna Forest & Garden approved replacement part used in the performance of any warranty maintenance or repairs on emission-related parts, will be provided without charge to the owner if the part is under warranty.

## EMISSION CONTROL WARRANTY PARTS LIST

1. Carburetor and internal parts
2. Intake pipe, airfilter holder and carburetor bolts.
3. Airfilter and fuelfilter covered up to maintenance schedule.
4. Ignition System
  - a) Spark Plug, covered up to maintenance schedule
  - b) Ignition Module

## MAINTENANCE STATEMENT

The owner is responsible for the performance of all required maintenance, as defined in the operator's manual.

# EXPLICATION DES SYMBOLES

## Symboles sur la tronçonneuse



Attention! Cet outil à moteur peut être dangereux! Une utilisation erronée ou négligente peut occasionner des blessures graves, voire mortelles pour l'utilisateur et les autres.



Lire attentivement et bien assimiler le manuel d'utilisation avant de se servir de la tronçonneuse.



Toujours utiliser:

- Casque de protection homologué
- Protecteurs d'oreilles homologués
- Lunettes protectrices ou visière



Toujours utiliser les deux mains pour manipuler la tronçonneuse.



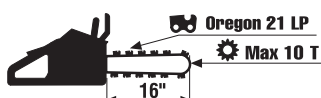
Ne jamais utiliser une seule main pour manipuler la tronçonneuse.



Éviter tout contact de la pointe du guide-chaîne avec un objet.



Un contact de la pointe peut provoquer un mouvement soudain du guide-chaîne vers le haut et l'arrière et ainsi causer des blessures graves.



Équipement de coupe recommandé dans cet exemple:

- Longueur de guide-chaîne: 16 pouces
- Rayon maximum du nez: 10 dents
- Type de chaîne: Oregon 21 LP



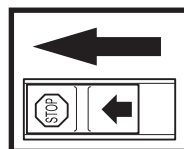
Autre combinaisons approuvées de guides et chaînes, consulter le Manuel d'utilisation.



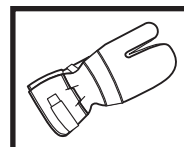
Taux de rebond maximum mesuré avec activation du frein de chaîne, pour la combinaison de guide-chaîne et chaîne indiquée sur l'étiquette.



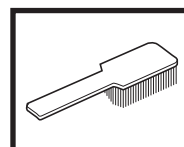
Taux de rebond maximum mesuré sans activer le frein de chaîne, pour la combinaison de guide-chaîne et chaîne indiquée sur l'étiquette.



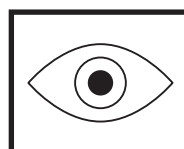
Couper le moteur en déplaçant l'interrupteur d'arrêt sur la position "STOP" avant d'entreprendre tout contrôle et/ou entretien.



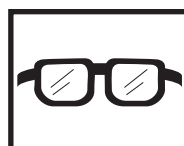
Toujours utiliser des gants de protection homologués.



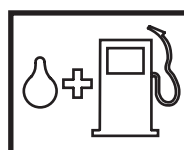
Un nettoyage régulier est indispensable.



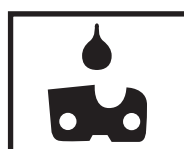
Examen oculaire.



Port de lunettes protectrices ou visière.



Plein d'essence



Réglage de l'huile de chaîne et de son débit



# SOMMAIRE

## Mesures à prendre avant d'utiliser la machine

- Lire attentivement le manuel d'utilisation.
- Vérifier le montage et le réglage de l'outil de coupe. Voir page 25.
- Faire le plein, démarrer la tronçonneuse et contrôler le réglage du carburateur. Voir pages 26-29.
- Ne pas utiliser l'outil avant que la chaîne ait reçu une quantité suffisante d'huile de chaîne. Voir page 14.

Important. Un réglage de carburateur trop pauvre multiplie le risque de panne de moteur.

Un filtre à air mal entretenu provoque un dépôt sur la bougie et gêne le démarrage.

Une chaîne mal ajustée augmente l'usure de la chaîne ou risque d'endommager le guide-chaîne, le pignon et la chaîne.



**Ne jamais modifier la machine sans l'autorisation du fabricant. N'utiliser que des accessoires et des pièces d'origine. Toute modification intempestive et l'emploi d'accessoires non homologués peuvent provoquer des accidents graves et même mortels, soit à l'utilisateur soit à d'autres personnes.**  
La garantie ne couvre pas les dommages ou la responsabilité causés par l'utilisation d'accessoires ou pièces de rechange non homologués.



**Cet outil à moteur peut être dangereux, toute utilisation défectueuse ou négligente peut avoir de graves conséquences : blessures personnelles ou danger de mort. Il importe de lire attentivement et de bien assimiler le manuel d'utilisation.**



**AVERTISSEMENT! L'intérieur du silencieux contient des produits chimiques pouvant être cancérigènes. Éviter tout contact avec ces éléments si le silencieux est endommagé.**



**Ayez un extincteur à portée de main, lorsque vous utilisez une tronçonneuse.**



**Maintenir les poignées sèches, propres et exemptes d'huile.**



**Faire attention à l'intoxication par monoxyde de carbone. Utiliser la tronçonneuse seulement dans des endroits bien aérés.**



**Ne pas tenter d'émonder ou d'ébrancher un arbre sur pied sauf si vous êtes spécialement formé pour le faire.**

## ATTENTION!

Les émissions du moteur de cet outil contiennent des produits chimiques qui, d'après l'État de Californie, peuvent causer le cancer, des malformations congénitales ou autre danger pour la reproduction.

Husqvarna AB travaille continuellement au développement de ses produits et se réserve le droit d'en modifier, entre autres, la conception et l'aspect.

## Sommaire

<b>Explication des symboles</b>	2
<b>Instructions de sécurité</b>	
Protection personnelle	4
Équipement de sécurité de la tronçonneuse	4
Contrôle, maintenance et entretien des équipements de sécurité	8
Équipement de coupe	10
Mesures anti-rebond	16
Instructions générales de sécurité	18
Méthodes de travail	19
<b>Quels sont les composants?</b>	
Quels sont les composants?	24
<b>Montage</b>	
Montage du guide-chaîne et de la chaîne	25
<b>Manipulation de carburant</b>	
Carburant	26
Remplissage	27
<b>Démarrage et arrêt</b>	
Démarrage et arrêt	28
<b>Entretien</b>	
Carburateur	29
Lanceur	30
Filtre à air	31
Bougie	31
Silencieux	31
Réglage de la pompe à huile	31
Système de refroidissement	32
Entretien quotidien	32
Entretien hebdomadaire	33
Entretien mensuel	33
<b>Caractéristiques techniques</b>	
336	34
<b>Déclaration de garantie pour la lutte contre les émissions</b>	
Vos droits et obligations en garantie	69

L'autocollant comportant ce symbol d'avertissement est placé sur la tronçonneuse :

	<b>IMPORTANT ENGINE INFORMATION</b> <b>Husqvarna</b> HUSQVARNA AB HUSKVARNA SWEDEN EM THIS ENGINE CONFORMS TO U.S. EPA PH 1 AND 1999 CALIFORNIA EMISSION REGULATIONS FOR SMALL OFF-ROAD ENGINES. REFER TO OPERATOR'S MANUAL FOR MAINTENANCE SPECIFICATIONS AND ADJUSTMENTS.
	<b>IMPORTANT ENGINE INFORMATION</b> <b>Husqvarna</b> 335 35cc YHVXS. 0354RA HUSQVARNA AB HUSKVARNA SWEDEN EM THIS ENGINE CONFORMS TO U.S. EPA PH 1 EMISSION REGULATION FOR SMALL NONROAD ENGINES. REFER TO OPERATOR'S MANUAL FOR MAINTENANCE SPECIFICATIONS AND ADJUSTMENTS.
	<b>Other approved combinations</b> Autres combinaisons approuvées

Cet autocollant confirme que le produit conforme à US EPA (Environmental Protection Agency) PH1 règlements de gaz d'échappement pour des produits à usage manuel.

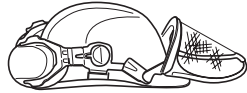
# INSTRUCTIONS DE SECURITE

## PROTECTION PERSONNELLE

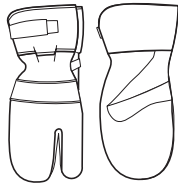


LA PLUPART DES ACCIDENTS DUS À DES TRONÇONNEUSES SE PRODUISENT QUAND LA CHAÎNE TOUCHE L'OPÉRATEUR. Il est donc nécessaire de se protéger conformément aux règlements. Les équipements de sécurité n'éliminent pas tous les risques, ils réduisent la gravité des blessures en cas d'accident. Demandez conseil à notre concessionnaire qui vous aidera à choisir votre équipement individuel.

- Casque de protection
- Protecteur d'oreilles
- Lunettes protectrices ou visière



- Gants protecteurs anti-chaîne



- Pantalons de protection avec protection des jambes contre les chocs



- Bottes renforcées anti-chaîne, à embout acier et semelle antidérapante



Ne pas porter de vêtements trop amples et qui gênent les mouvements.

- Trousse de premiers secours toujours disponible.



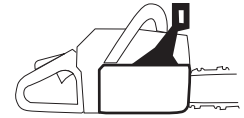
## EQUIPEMENT DE SECURITE DE LA TRONÇONNEUSE

Ce chapitre présente les équipements de sécurité de la tronçonneuse, leur fonction, comment les vérifier et les maintenir en état. (Voir au chapitre "Quels sont les composants ?" pour trouver leur emplacement.)

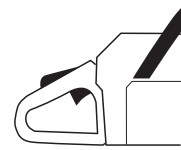


NE PAS UTILISER UNE TRONÇONNEUSE DONT LES EQUIPEMENTS DE SÉCURITÉ SONT DEFECTUEUX. Suivre les directives de maintenance, entretien et réparations.

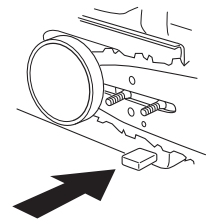
- Frein de chaîne avec arceau protecteur



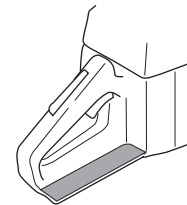
- Blocage de l'accélération



- Pare-chaîne



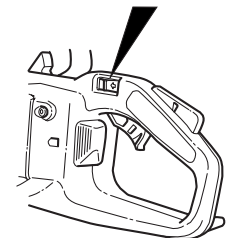
- Protection de la main droite



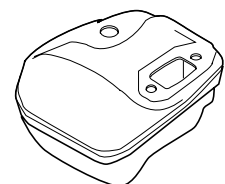
- Système anti-vibrations



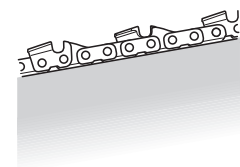
- Bouton d'arrêt



- Silencieux



- Équipement de coupe (voir au chapitre "Équipement de coupe").

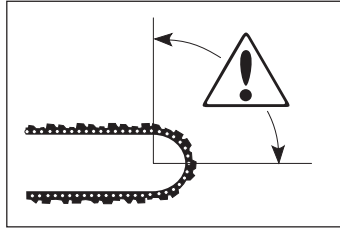


# INSTRUCTIONS DE SECURITE

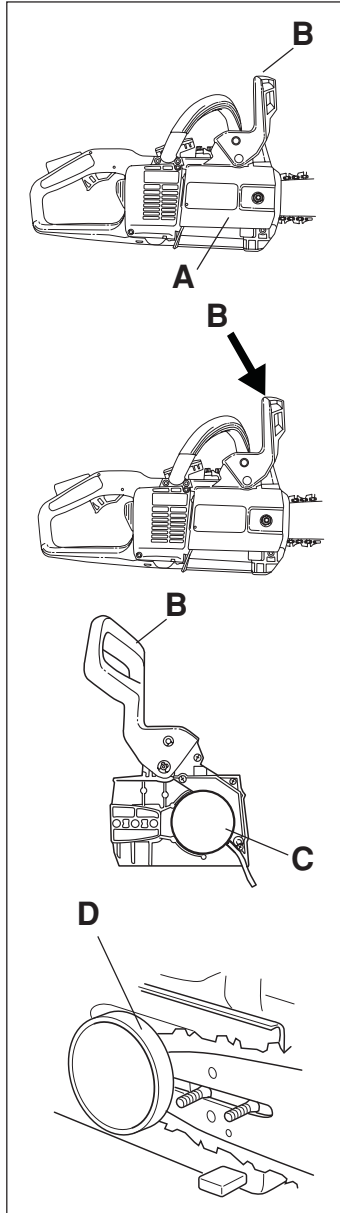
## 1 Frein de chaîne avec arceau protecteur

Votre tronçonneuse est équipée d'un frein de chaîne, destiné à bloquer automatiquement la chaîne en cas de rebond. Il réduit le risque d'accidents, mais il appartient à l'opérateur de les prévenir.

Attention en utilisant la tronçonneuse et s'assurer que la zone de rebond du guide-chaîne ne touche rien.



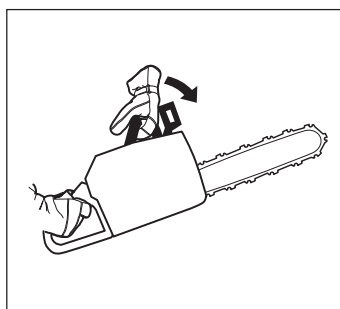
- 1 Le frein de chaîne (A) peut être activé manuellement (avec la main gauche) ou par inertie (poids oscillant par rapport à la tronçonneuse; dans la plupart de nos modèles, c'est l'arceau protecteur qui fait office de contrepoids au sens du rebond.)



Pousser l'arceau (B) vers l'avant pour activer le frein de chaîne.

Ce mouvement active mécaniquement un ressort qui tend le ruban du frein (C) autour du système d'entraînement de la chaîne, autrement dit le "tambour d'embrayage" (D).

- 2 L'arceau de sécurité n'active pas seulement le frein de chaîne. Il réduit aussi le risque que la main gauche se blesse à la chaîne en lâchant prise sur la poignée avant.



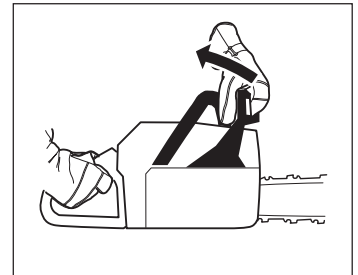
### 3a Démarrage

Le frein de chaîne doit être activé lors du démarrage.

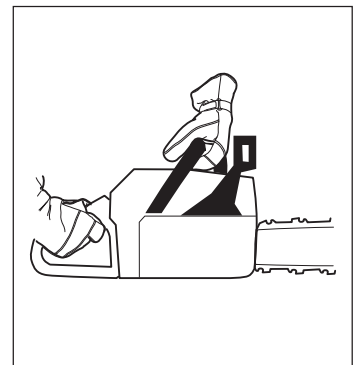


- b Le frein de chaîne sert de frein de stationnement de courte durée et pour le transport. Donc le frein de chaîne non seulement réduit les risques d'accident en cas de rebond mais, activé manuellement, constitue une mesure de sécurité.

- 4 Tirer l'arceau vers la poignée arrière pour désactiver le frein de chaîne.



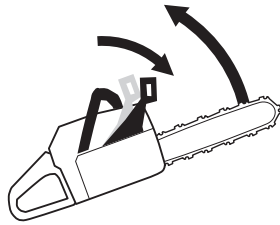
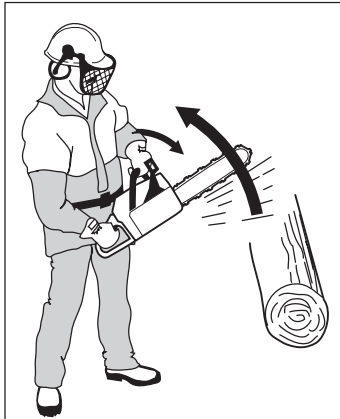
- 5 Un rebond peut être rapide et violent (voir A). **Toutefois la plupart des rebonds sont courts et n'activent pas nécessairement le frein de chaîne. En ce cas, tenir l'outil solidement et ne pas le lâcher.**



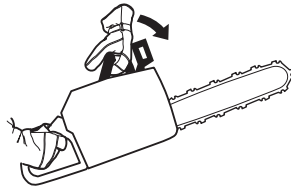
# INSTRUCTIONS DE SECURITE

- 6 Le mode d'activation du frein de chaîne (manuel ou automatique) dépend de l'ampleur du rebond et de la position de l'outil par rapport à l'objet rencontré par la zone dangereuse du nez.

En cas de rebond violent, et si le nez se trouve loin de l'opérateur, c'est PAR INERTIE que le frein de chaîne se trouve alors activé (effet de contrepoids).



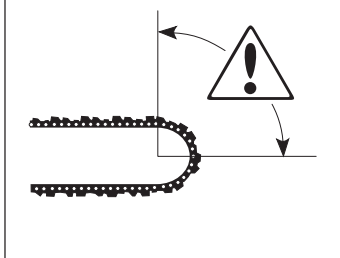
En cas de rebond moins violent, et si le nez se trouve proche de l'opérateur, le frein de chaîne sera activé manuellement (main gauche).



- 7 En position d'abattage, tenir la poignée avant de la main gauche ce qui ne permet pas d'activer manuellement le frein de chaîne. Dans cette position (la main gauche ne pouvant activer l'arceau de protection) le frein de chaîne ne peut être activé que par inertie.

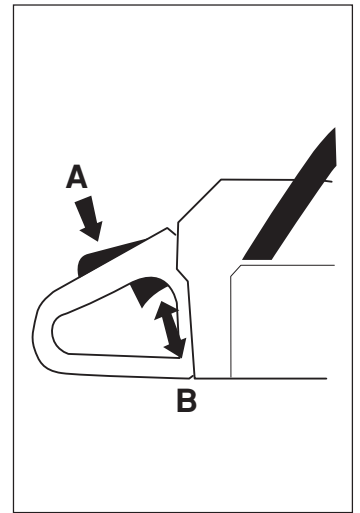


L'activation automatique présente un grand avantage, mais sans seulement sous certaines conditions (voir 6).



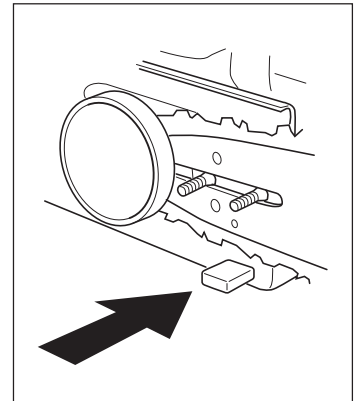
## 2 Blocage de l'accélération

Cette fonction a pour but d'empêcher toute accélération involontaire. Quand on enfonce le cliquet (A) dans la poignée (= en tenant celle-ci) la commande des gaz (B) se trouve libérée. En lâchant la poignée, la commande des gaz et le cliquet reviennent en position initiale, et ce grâce à deux ressorts de renvoi indépendants. L'accélérateur est alors automatiquement bloqué au "ralenti".



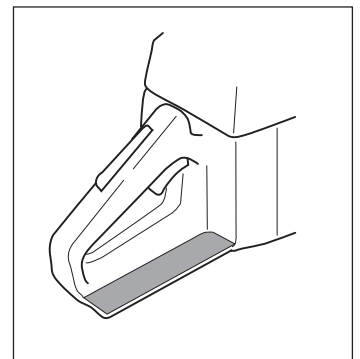
## 3 Pare-chaîne

A pour but de rattraper une chaîne sautée ou cassée. On peut éviter ces inconvénients en ayant une tension correcte de la chaîne (voir "Montage") ainsi qu'en entretenant correctement le guide et la chaîne (voir "Méthodes de travail").



## 4 Protection de la main droite

Protège la main si la chaîne saute ou se casse et empêche les branchettes et brindilles de gêner la prise arrière.



# INSTRUCTIONS DE SECURITE

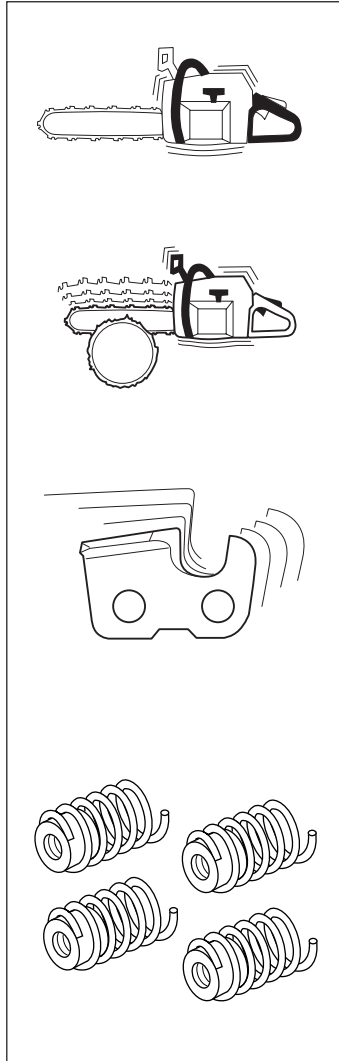
## 5 Système anti-vibrations

Sert à éviter au maximum les vibrations et assurer une utilisation aussi confortable que possible.

Les vibrations subies sont dues à un contact irrégulier entre la chaîne et la pièce en cours de sciage.

Le sciage de bois durs (la plupart des feuillus) donne davantage de vibrations que celui des bois tendres (la plupart des conifères). Si la chaîne est mal affûtée ou défectueuse (type inadéquat, voir à D) le taux de vibrations augmente.

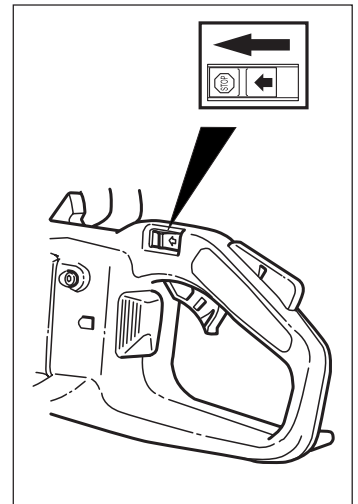
Le système anti-vibrations empêche les vibrations de se propager du moteur et du guide-chaîne aux poignées. Le corps de la tronçonneuse y compris le guide-chaîne sont fixés par blocs anti-vibrants.



**S'exposer à trop des vibrations excessives peut entraîner des troubles circulatoires ou nerveux chez les personnes sujettes à des troubles cardio-vasculaires. Consulter un médecin en cas de symptômes liés aux vibrations, tels qu'insensibilisation ou irritation locale, douleur, chatouillements, faiblesse musculaire, décoloration ou modification épidermique. Ces symptômes affectent généralement les doigts ou les poignets.**

## 6 Bouton d'arrêt

Sert à couper le moteur.



## 7 Silencieux

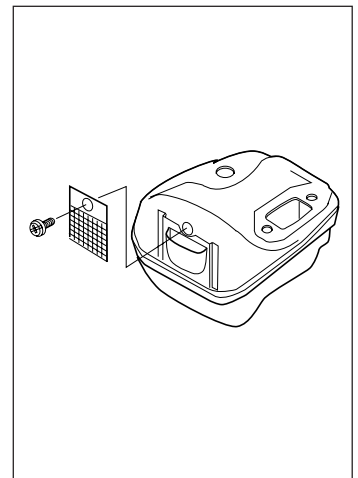
Permet de réduire au minimum le niveau sonore et détourner de l'opérateur les gaz d'échappement.



**Les gaz d'échappement du moteur sont très chauds et peuvent contenir des étincelles pouvant provoquer un incendie. En conséquence, ne jamais démarrer la tronçonneuse dans un local clos ou à proximité de matériaux inflammables!**

Dans les climats chauds et secs, les risques d'incendie de forêt sont élevés. Ces régions sont souvent soumises à des lois et réglementations exigeant que le silencieux (entre autres) soit équipé d'un pare-étincelles homologué.

En ce qui concerne le silencieux, il importe de bien suivre les instructions de contrôle, maintenance et entretien (Voir les "Instructions de contrôle, maintenance et entretien des équipements de sécurité").



**En cours de marche et après, le silencieux est très chaud. Ne pas le toucher avant refroidissement complet!**

# INSTRUCTIONS DE SECURITE

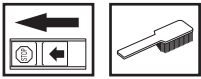
## Contrôle, maintenance et entretien des équipements de sécurité



Tout entretien ou réparation d'une tronçonneuse EXIGE UN OUTILLAGE SPÉCIAL, en particulier celles munies d'un équipement de sécurité. Si les contrôles suivants ne donnent pas un résultat positif, s'adresser à UN ATELIER SPÉCIALISÉ. L'achat de l'un de nos produits offre à l'acheteur la garantie d'un service qualifié. Si le point de vente n'assure pas ce service, s'adresser à L'ATELIER SPÉCIALISÉ le plus proche.

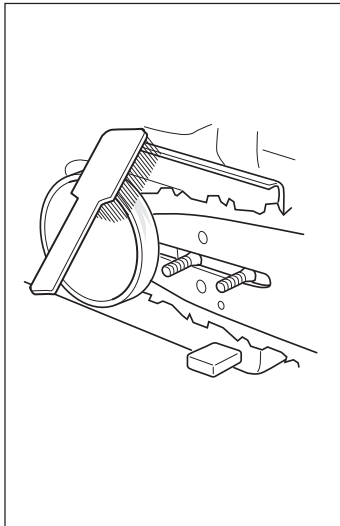
### 1 Frein de chaîne avec arceau de protection

#### 1 Contrôle d'usure du ruban de frein



Nettoyer le frein de chaîne et le tambour d'embrayage (copeaux, résine, saletés). La saleté et l'usure compromettent le bon fonctionnement.

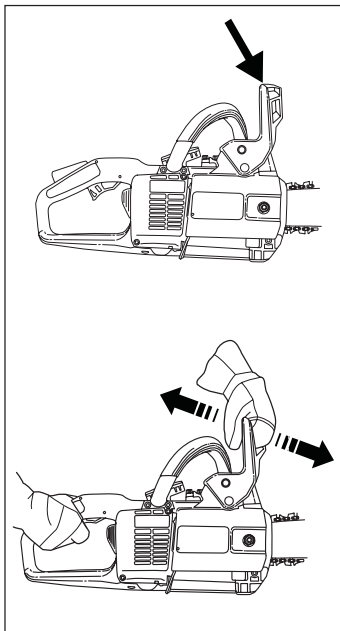
Vérifier le ruban régulièrement, qui doit être d'au moins 0,6 mm d'épaisseur à son point le plus faible.



#### 2 Contrôle de l'arceau anti-rebond



A Vérifier que L'ARCEAU est intact est sans aucun défaut (fissure ou autre).



B Actionner l'arceau d'avant en arrière pour s'assurer qu'il se meut librement et qu'il est solidement fixé à son articulation dans le carter d'embrayage.

### 3 Contrôle de la fonction d'inertie



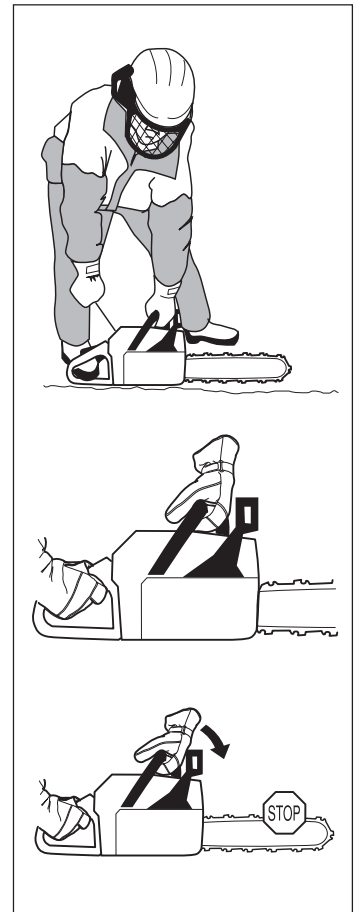
Tenir la tronçonneuse contre une souche ou un objet dur. Lâcher la poignée avant et laisser l'outil tomber de son propre poids, en pivotant autour de la poignée arrière, contre l'objet.



Dès que le nez rencontre l'obstacle, le frein doit se déclencher automatiquement.

### 4 Contrôle du frein de chaîne

Mettre la tronçonneuse en marche et la poser sur une surface solide, sans que la chaîne touche le sol ou tout autre obstacle.



Tenir fermement la tronçonneuse des deux mains, les doigts et le pouce épousant bien les poignées.

Donner le plein régime puis activer le frein de chaîne en poussant le poignet gauche contre l'arceau de sécurité. Ne pas lâcher la poignée avant. **La chaîne doit s'arrêter automatiquement.**

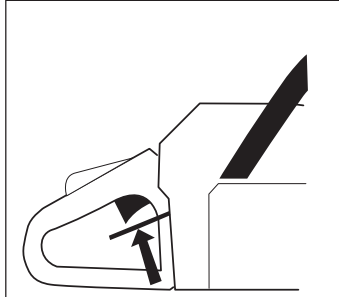


# INSTRUCTIONS DE SECURITE

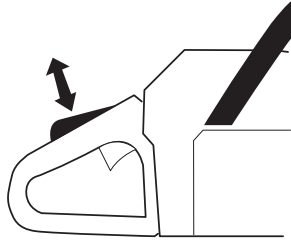
## 2 Blocage de ralenti accéléré



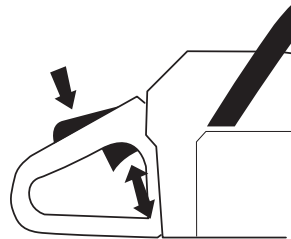
1 Vérifier d'abord que la commande des gaz est bloquée en "position ralenti" (le blocage étant en position initiale).



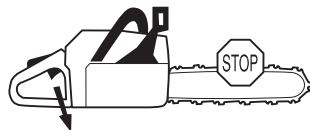
2 Appuyer sur le blocage d'accélérateur et s'assurer qu'il revient de lui-même en position initiale.



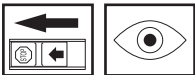
3 Vérifier que les deux commandes et leurs ressorts de renvoi fonctionnent.



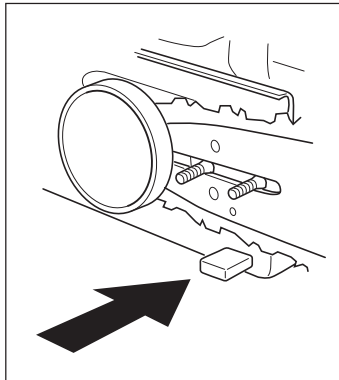
4 Mettre le tronçonneuse en marche et accélérer au maximum. Lâcher l'accélérateur et s'assurer que la chaîne s'arrête et reste en cette position. Si elle tourne tandis que la commande est au "ralenti", il faudra refaire le réglage de ralenti du carburateur. (Voir "Entretien").



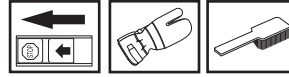
## 3 Capteur de chaîne



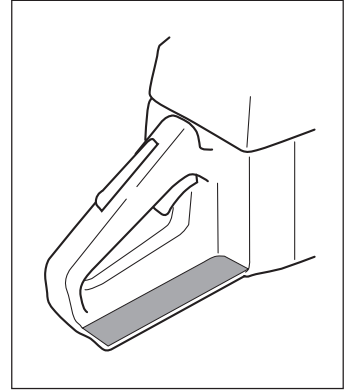
Vérifier que LE CAPTEUR DE CHAÎNE est en bon état et qu'il est bien fixé en place.



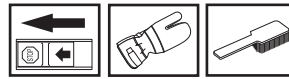
## 4 Protection de la main droite



S'assurer que la PROTECTION DE LA MAIN DROITE est intacte et sans défauts visibles, fissures, etc.



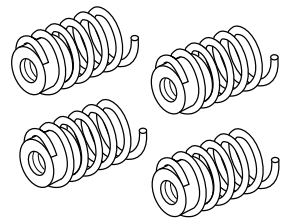
## 5 Système anti-vibrations



Vérifier régulièrement l'état des éléments : fissures ou déformations.



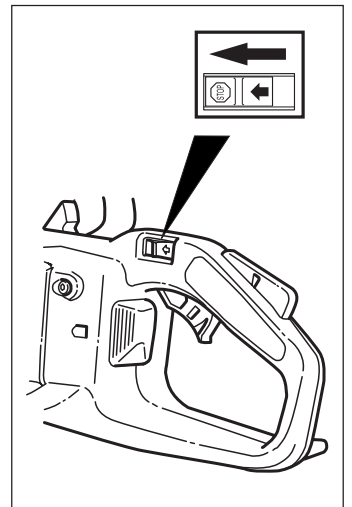
S'assurer que les éléments sont bien fixés entre le moteur et les poignées.



## 6 Bouton d'arrêt



Mettre la tronçonneuse en marche et s'assurer que le bouton d'arrêt fonctionne.



# INSTRUCTIONS DE SECURITE

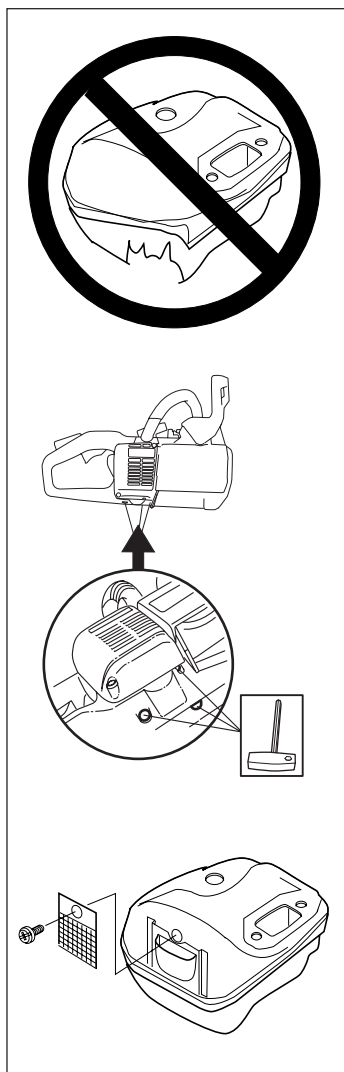
## 7 Silencieux

Ne pas utiliser une tronçonneuse dont le silencieux est défectueux.

Vérifier régulièrement la fixation du silencieux.



Si le silencieux comporte un grillage pare-étincelles, nettoyer régulièrement celui-ci, sinon il y a risque d'échauffement et de dommage au moteur. **Ne pas utiliser une tronçonneuse dont le pare-étincelles est défectueux.**



## EQUIPEMENT DE COUPE

Le choix judicieux de l'équipement de coupe et son entretien correct permettront :

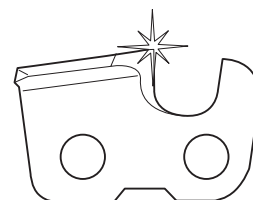
- De réduire le risque de rebond
- De réduire le risque de chaîne sautée ou de rupture de chaîne
- D'obtenir la meilleure coupe possible
- D'augmenter la durée de vie de l'équipement de coupe.

### Les 5 règles de base

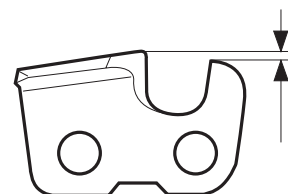
1 **N'utiliser que l'équipement de coupe recommandé** (voir "Caractéristiques techniques")



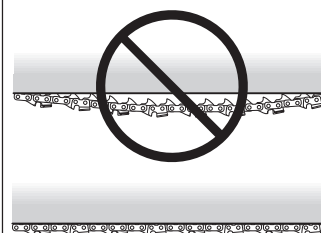
2 **Tenir les dents de la chaîne bien affûtées, suivre les instructions et utiliser le gabarit d'affûtage recommandé**, une chaîne émoussée augmente le risque d'accidents.



3 **Suivre les instructions d'entretien et utiliser la jauge de profondeur recommandée**, une profondeur incorrecte augmente le risque de rebond.



4 **Maintenir la tension de chaîne correcte**, une tension insuffisante augmente le risque de chaîne sautée, d'usure du guide, de la chaîne et du pignon.



5 **Maintenir l'équipement bien lubrifié et bien entretenu** un équipement insuffisamment lubrifié augmente le risque de chaîne sautée, d'usure du guide, de la chaîne et du pignon.



**Ne jamais utiliser une tronçonneuse dont les équipements de sécurité sont défectueux. Contrôler et entretenir ceux-ci suivant les instructions du manuel. Si les contrôles ci-dessus ne donnent pas de résultat positif, confier la tronçonneuse à un réparateur.**

# INSTRUCTIONS DE SECURITE

## 1 Equipement de coupe anti-rebond

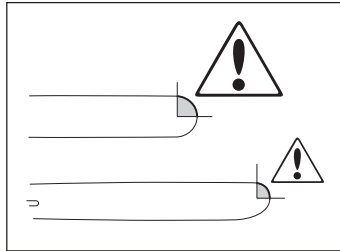


Un équipement de coupe défectueux ou une mauvaise combinaison chaîne et guide-chaîne augmentent le risque de rebond. N'utiliser que les combinaisons guide-chaîne/chaîne indiquées au chapitre "Caractéristiques techniques".

On ne peut éviter un rebond qu'en s'assurant que la zone dangereuse du nez n'entre pas en contact avec un objet. On réduira le risque de rebond en utilisant la version anti-rebond intégrée à la chaîne et une chaîne bien affûtée et bien entretenue.

### A Guide-chaîne

Plus le rayon du nez est court, plus le risque de rebond est limité.



### B Chaîne

Une chaîne comporte un certain nombre de maillons, tant en modèle standard qu'en version anti-rebond.

	Inexistant	Standard	Anti-rebond
Maillon coupant			
Maillon entraîneur			
Maillon latéral			

En combinant ces maillons de différentes façons, on obtiendra un taux de réduction de rebond plus ou moins élevé. Les quatre types suivants sont possibles :

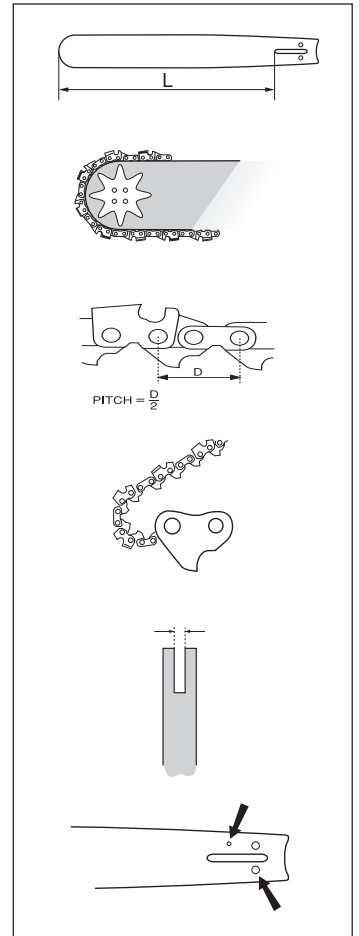
Taux de réduction de rebond	Maillon coupant	Maillon entraîneur	Maillon latéral
PETIT			
MOYEN			
GRAND			
TRÈS GRAND			

## C Terminologie concernant guide-chaîne et chaîne

En cas d'usure et de remplacement nécessaire, n'utiliser que les accessoires d'origine (guide-chaîne et chaîne), voir "Caractéristiques techniques" pour les modèles recommandés pour chaque tronçonneuse.

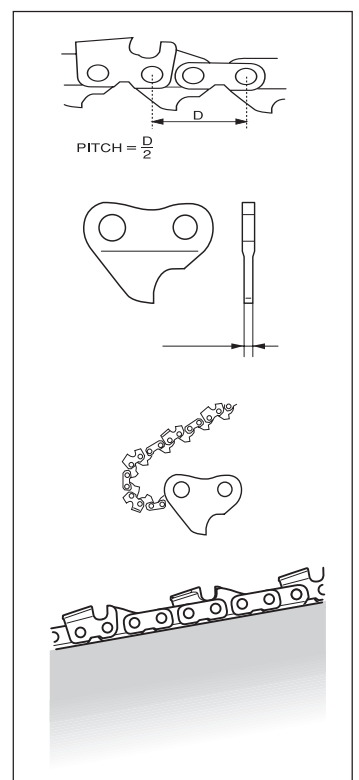
### Guide-chaîne

- LONGUEUR (cm)
- Nombre de dents par pignon (T). Nombre réduit = petit rayon = tendance au rebond limitée.
- PAS DE CHAÎNE (pouce). Le pignon du nez et le pignon d'entraînement doivent correspondre à l'espace entre les maillons.
- NOMBRE DE MAILLONS ENTRAÎNEURS (pce). La longueur du guide, le pas de chaîne et le nombre de dents au pignon donnent un nombre déterminé de maillons entraîneurs.
- LARGEUR DE GORGE DU GUIDE-CHAÎNE (mm). Celle-ci doit correspondre à la largeur des maillons entraîneurs de la chaîne.
- TROU DE GRAISSAGE DE CHAÎNE ET TROU DU TENDEUR DE CHAÎNE. Le guide-chaîne doit correspondre au modèle de tronçonneuse.



### Chaîne

- PAS DE CHAÎNE (pouce) = espace entre les maillons.
- LARGEUR DE GORGE DU GUIDE-CHAÎNE (mm).
- NOMBRE DE MAILLONS ENTRAÎNEURS (pce)
- TAUX DE RÉDUCTION DE REBOND. Seule l'indique la désignation de la chaîne. Voir "Caractéristiques techniques" quels numéros de désignation correspondant aux différents modèles de tronçonneuse.



# INSTRUCTIONS DE SECURITE

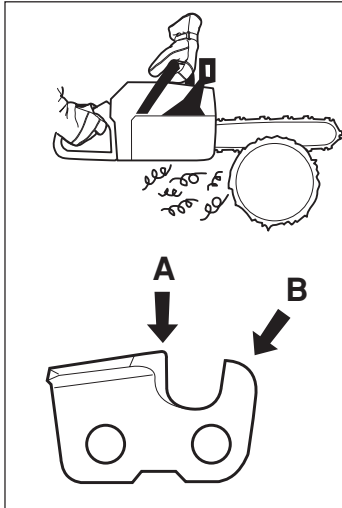
## 2 Affûtage et réglage de profondeur de la chaîne



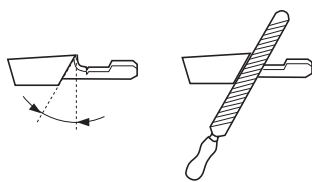
Une chaîne émoussée augmente le risque de rebond !

### A Généralités relatives à l'affûtage des dents

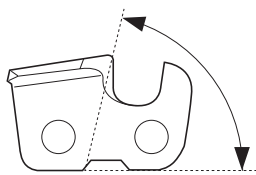
- Ne jamais utiliser une tronçonneuse dont les dents sont émoussées. Une chaîne est émoussée quand les dents de la chaîne doivent être forcées contre le bois et si les copeaux sont très petits. Une chaîne très usée ne produit aucun copeaux, rien que de la poudre.
- Une chaîne bien affûtée entame le bois par elle-même et sans forcer, laissant de gros et longs copeaux.
- LA PARTIE COUPANTE de la chaîne consiste en un MAILLON COUPANT qui comporte une dent (A) et UN LIMITEUR (ou cale) DE PROFONDEUR (B). L'espace entre les deux détermine la profondeur de coupe.
- En affûtant la dent il faut tenir compte de 5 dimensions :



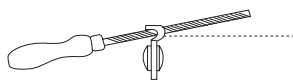
ANGLE D'AFFÛTAGE



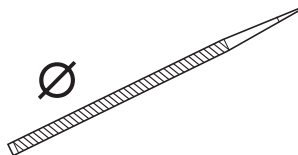
ANGLE D'IMPACT



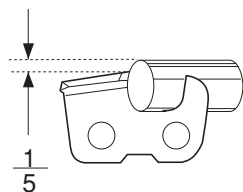
POSITION DE LA LIME



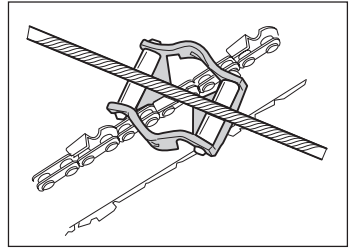
DIAMÈTRE DE LA LIME RONDE



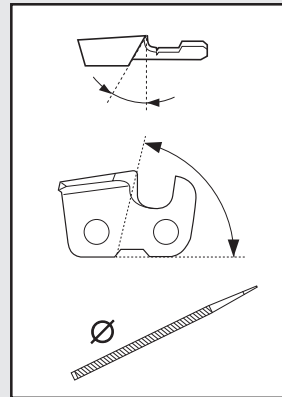
PROFONDEUR D'AFFÛTAGE



Affûter une chaîne sans outils spéciaux est très difficile. Il est donc recommandé d'utiliser notre gabarit, qui assure un affûtage maximal et une réduction optimale du risque de rebond.



Négliger comme suit les paramètres d'affûtage augmente nettement le risque de rebond :



- Angle d'affûtage trop étroit
- Angle d'impact trop étroit
- Diamètre de lime trop court

### B Affûtage de la dent

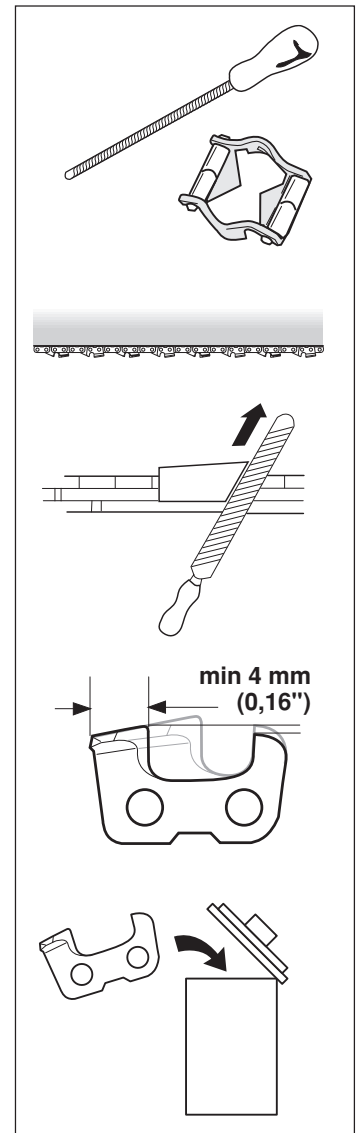
Cette opération nécessite UNE LIME RONDE et UN GABARIT. Voir aux "Caractéristiques techniques" les paramètres concernant le diamètre de lime et le gabarit correspondant à la chaîne utilisée.

- 1 S'assurer que la chaîne est tendue, sinon l'instabilité latérale gênera l'affûtage de la chaîne.

- 2 Toujours limer de l'intérieur de la dent vers l'extérieur, soulager la lime pendant le mouvement de retour.

Commencer par limer toutes les dents du même côté, retourner la tronçonneuse et limer de l'autre côté.

- 3 Amener toutes les dents à la même hauteur. Si la hauteur de dent est inférieure à 4 mm, la chaîne est usée et doit être remplacée.



Voir aux "Caractéristiques techniques" les paramètres concernant le modèle de chaîne correspondant à votre tronçonneuse.

# INSTRUCTIONS DE SECURITE

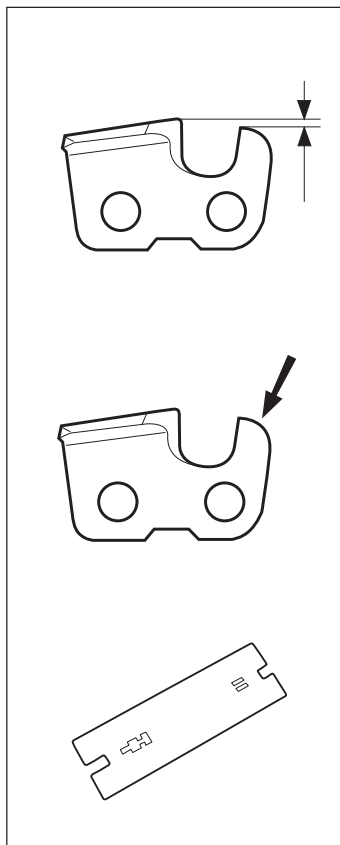
## C Généralités sur le réglage de profondeur

- En affûtant la dent, LA PROFONDEUR DE COUPE diminue. Prévoir celle-ci de façon à avoir la performance de coupe optimale.

Voir aux "Caractéristiques techniques" les cotes de profondeur correspondant à la chaîne utilisée.

- Sur le modèle de maillon AVEC RÉDUCTION DE REBOND, la cale de profondeur est arrondie par devant. Cette caractéristique doit être soigneusement conservée lors de l'affûtage.

- Nous recommandons la jauge de profondeur qui permet à la fois un affûtage correct et préserve la forme arrondie de la cale de profondeur.



**Une profondeur excessive augmente le risque de rebond !**

## D Réglage du limiteur profondeur

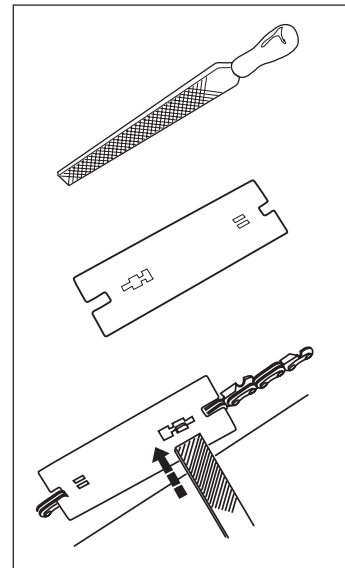


- Pour ce faire, les dents doivent être nouvellement affûtées. Un réglage de profondeur est recommandé tous les trois affûtages ATTENTION: à supposer que la longueur des dents n'est pas anormalement réduite.

- Cette opération nécessite UNE LIME PLATE et UNE JAUGE DE PROFONDEUR.

- Placer le gabarit sur la cale de profondeur.

- Placer la lime plate sur la partie dépassante de la cale de profondeur et limer celle-ci. Quand aucune résistance ne se fait sentir, la cale est à la hauteur correcte.



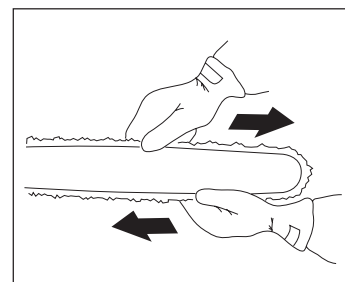
## 3 Tension de la chaîne



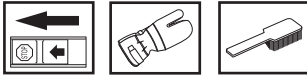
**Une tension insuffisante de la chaîne augmente le risque de chaîne sautée et donc de blessures graves et même mortelles.**

- Plus on utilise une chaîne plus elle s'allonge. Il importe de vérifier l'équipement de coupe après chaque utilisation.
- Il importe de vérifier la tension de la chaîne après chaque plein d'essence. ATTENTION: Une nouvelle chaîne exige une période de rodage durant laquelle il faudra vérifier la tension plus souvent.

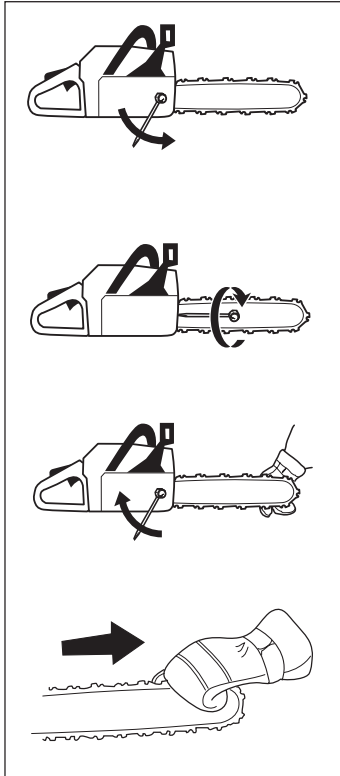
- En règle générale, il faut tendre la chaîne au maximum, mais pas au point de ne pouvoir la faire tourner manuellement.



# INSTRUCTIONS DE SECURITE



- 1 Avec la clé universelle, dévisser les écrous du guide-chaîne fixant le carter d'embrayage/frein de chaîne. Puis les resserrer à fond manuellement.
- 2 Soulever le nez du guide et tendre la chaîne en serrant le tendeur de chaîne avec la clé universelle. Tendre jusqu'à ce que la chaîne ne soit plus molle plus sous le guide.
- 3 Avec la clé universelle, serrer les écrous du guide-chaîne, tout en tenant levé le nez du guide. S'assurer que la chaîne peut tourner manuellement et ne pend pas sous le guide.



Sur nos tronçonneuses, le tendeur de chaîne peut être placé différemment. Voir au chapitre "Quels sont les composants?" pour comparer avec votre modèle.

## 4 Lubrification de l'équipement de coupe



**Un graissage insuffisant de l'équipement de coupe augmente le risque de rupture de chaîne et donc de blessures graves et même mortelles.**

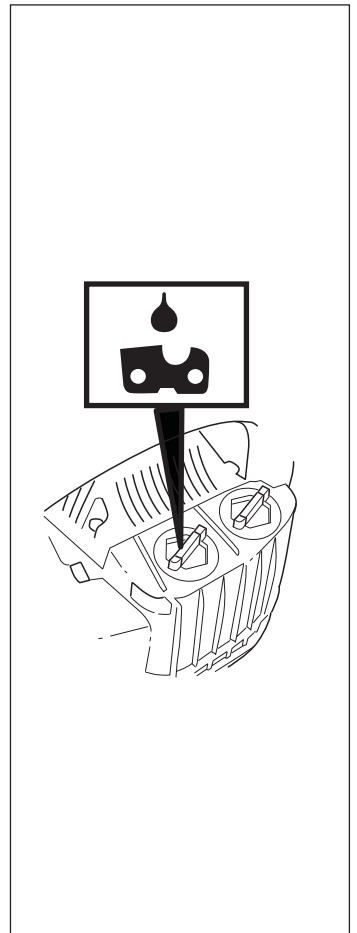
### A Huile de chaîne de tronçonneuse

- L'huile de chaîne devra bien adhérer à la chaîne et posséder d'excellentes qualités de fluidité par tous les temps, aussi bien en été qu'en hiver.
- En tant que fabricants de tronçonneuses nous avons développé une huile de chaîne hautement performante et qui, grâce à sa base végétale, est de plus biodégradable. Nous recommandons l'utilisation de cette huile pour une durée de vie maximale de la tronçonneuse et pour la protection de l'environnement.
- Si notre huile de chaîne n'est pas disponible nous recommandons l'utilisation d'une huile de chaîne ordinaire.
- Si aucune huile spécialement destinée au graissage des chaînes de tronçonneuses n'est disponible, l'huile de transmission EP 90 peut être utilisée.
- **Ne jamais utiliser d'huile usagée**  
L'huile usagée est dangereuse pour vous, pour la tronçonneuse et pour l'environnement.

### B Remplissage d'huile de chaîne

- Toutes nos tronçonneuses sont dotées d'un graissage automatique de chaîne, certaines avec débit réglable.
- Le réservoir à huile de chaîne et le réservoir à essence sont dimensionnés de telle sorte que la tronçonneuse tombe en panne d'essence avant l'épuisement de l'huile de chaîne. Donc la chaîne ne tourne jamais à sec d'huile.

Cette sécurité suppose : qu'on utilise une huile de chaîne appropriée (une huile trop fine viderait le réservoir d'huile avant l'essence), que le carburateur est bien réglé (un réglage trop pauvre empêcherait le carburant de s'épuiser avant l'huile) et que l'équipement de coupe est bien choisi (un guide-chaîne long demande davantage d'huile de chaîne).  
Les modèles avec pompe à débit réglable exigent les mêmes précautions.





# INSTRUCTIONS DE SECURITE

## C Contrôle de lubrification

- Vérifier la lubrification à chaque plein d'essence.

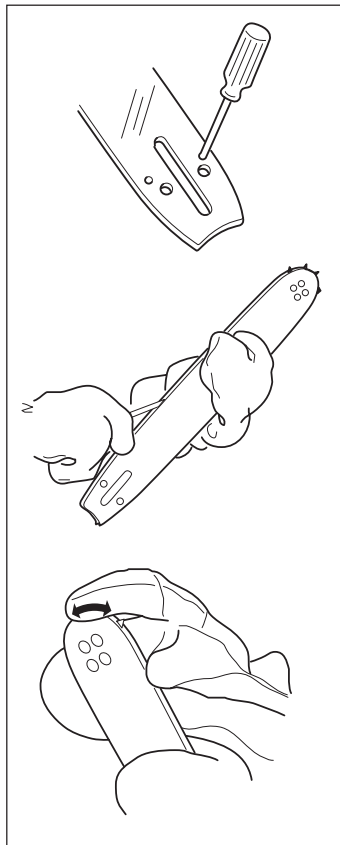
Diriger le nez du guide sur un objet clair, à 20 cm d'écart. Après 1 minute de marche aux 3/4 d'accélération, l'objet clair doit nettement présenter un film d'huile en forme de ruban.



### En cas de mauvais fonctionnement:

- 1 Vérifier le canal de graissage du guide-chaîne. Le nettoyer au besoin.
- 2 S'assurer que la gorge du guide est propre. La nettoyer au besoin.
- 3 Vérifier que le pignon du nez tourne librement et que l'orifice de graissage est propre. Nettoyer au besoin.

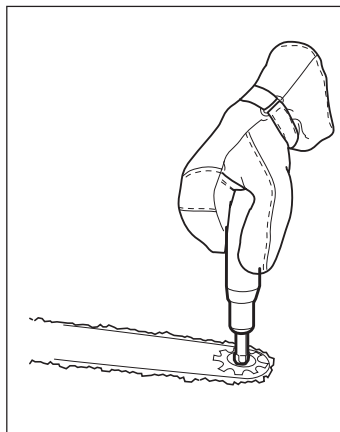
Si ces tests ne sont pas concluants, **s'adresser obligatoirement à un réparateur.**



## D Graissage du pignon d'entraînement

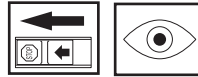


- Vérifier la roulette à chaque plein d'essence. Lubrifier avec une burette spéciale et une graisse pour roulement de bonne qualité.



## E Contrôle d'usure de l'équipement de coupe

### Chaîne

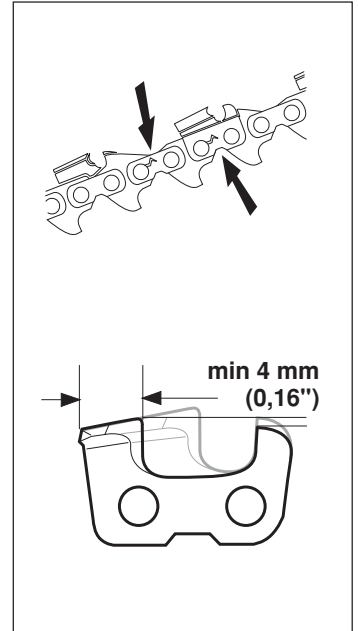


Vérifier l'état de la chaîne journalièrement, s'assurer :

- que rivets et maillons ne sont pas criqués
- que la chaîne n'est pas raide
- que rivets et maillons ne sont pas anormalement usés.

Il est recommandé de comparer avec une chaîne neuve pour évaluer le degré d'usure.

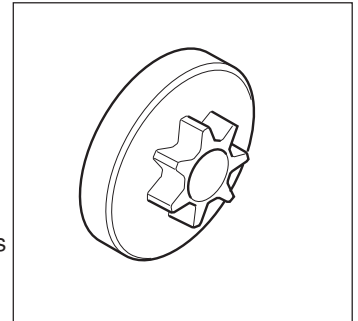
Si la hauteur de dent est inférieure à 4 mm, la chaîne est usée et doit être remplacée.



## F Pignon d'entraînement



Vérifier régulièrement le degré d'usure du pignon. Le remplacer en cas d'usure excessive. Le pignon doit être remplacé en même temps que la chaîne.



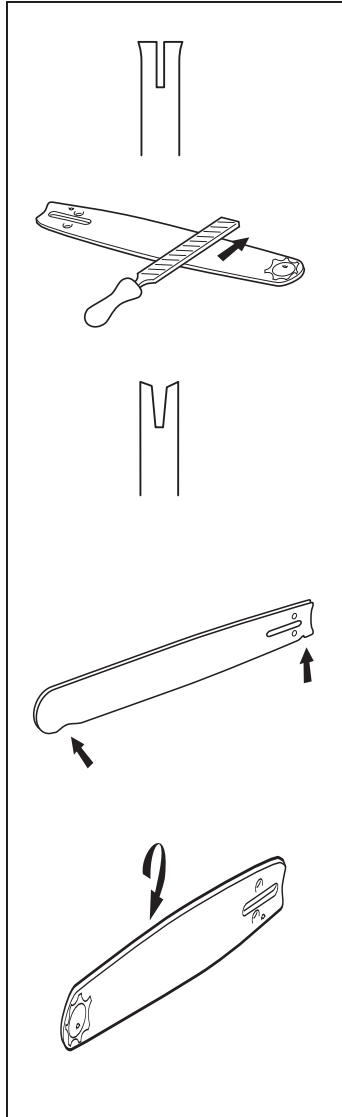
# INSTRUCTIONS DE SECURITE

## H Guide-chaîne



Vérifier régulièrement :

- Qu'il n'y a pas de bavures sur les côtés extérieurs de la gorge, les limer au besoin.
- Que la gorge n'est pas anormalement usée, la remplacer au besoin.
- Que le nez n'est pas anormalement usé : si un creux s'est formé à l'extrémité du rayon du nez (bord inférieur) la chaîne n'était pas suffisamment tendue.
- Retourner le guide quotidiennement pour assurer une durée de vie optimale.



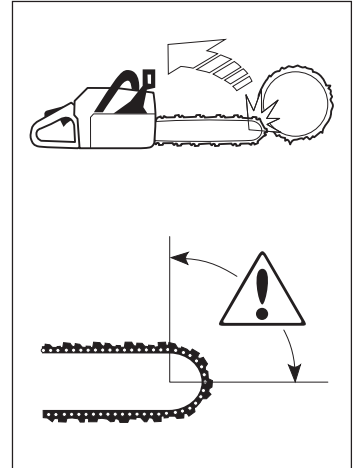
## MESURES ANTI-REBOND



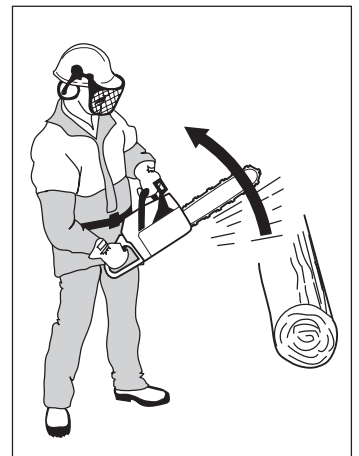
Un rebond peut-être soudain, rapide et violent, il renvoie la tronçonneuse, le guide-chaîne et la chaîne en direction de l'opérateur. Si la chaîne est alors en rotation, les blessures encourues sont graves et quelquefois mortelles. Il faut en être averti et savoir éviter ce phénomène pour bien utiliser la tronçonneuse. Une bonne méthode de travail est également nécessaire.

### Qu'est-ce qu'un rebond ?

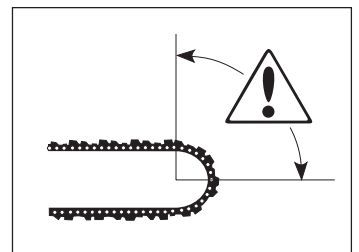
Un rebond peut se produire quand la pointe ou nez du guide-chaîne touche un objet quelconque. Le contact de la pointe peut alors causer une réaction de recul. Le quart supérieur du nez est appelé zone de rebond.



Le rebond se produit toujours dans le plan du guide-chaîne. En général, tronçonneuse et guide-chaîne sont relevés simultanément en direction de l'opérateur. Néanmoins, le direction du rebond peut varier suivant la position du nez au moment où il touche un objet quelconque.



Le rebond ne peut se produire que quand la pointe ou nez du guide-chaîne (zone de rebond) touche un objet quelconque.



La plupart des accidents surviennent quand la chaîne de la tronçonneuse touche l'opérateur.

- Utiliser les équipements de protection (voir au chapitre "Protection personnelle" et "Equipement de sécurité de la tronçonneuse").
- Eviter tous travaux pour lesquels on se sent mal préparé (voir aux chapitres "Protection personnelle", "Mesures anti-rebond" et "Equipement de coupe").
- Eviter les situations susceptibles de provoquer des rebonds (voir "Protection personnelle").
- Utiliser les équipements de coupe recommandés et en vérifier le bon état (voir "Méthodes de travail").
- Vérifier le fonctionnement des équipements de sécurité de la tronçonneuse (voir "Méthodes de travail" et "Instructions générales de sécurité").

# INSTRUCTIONS DE SECURITE

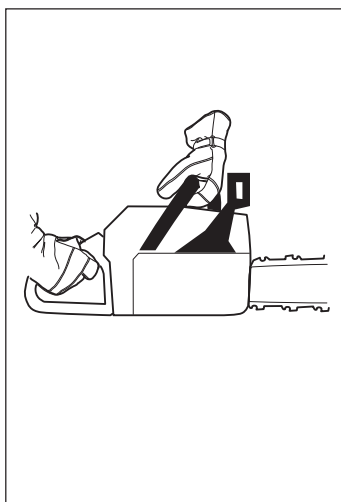
## Règles élémentaires

1 En comprenant en quoi consiste et comment se produit un rebond, on peut limiter l'effet de surprise, qui augmente le risque d'accident. La plupart des rebonds sont courts, mais certains peuvent être extrêmement rapides et violents.

2 Dès que le moteur tourne, maintenir l'outil fermement des deux mains, la main droite sur la poignée arrière, la gauche sur la poignée avant.

Tenir les poignées solidement avec les doigts et le pouce. Toujours tenir la tronçonneuse dans cette position, que l'on soit droitier ou gaucher. Une prise solide aide à maîtriser les rebonds et à mieux contrôler la machine.

**Ne pas lâcher !**



3 La plupart des accidents se produisent lors de l'ébranchage. Se tenir fermement sur les jambes. S'assurer que la zone de travail est bien dégagée, pour ne pas risquer de glisser ou de perdre l'équilibre. Ne pas tenir le nez du guide-chaîne au voisinage d'une souche, d'un rondin, d'une branche ou d'un arbre voisin auquel il risque de se cogner en cours de travail.

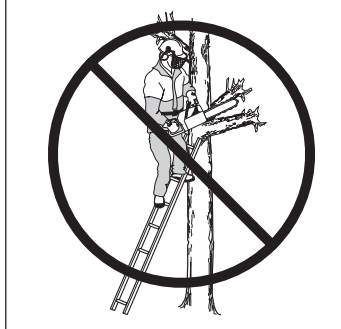


4 Ne jamais travailler à un niveau trop élevé, plus haut que les épaules. Eviter de couper avec la pointe du guide-chaîne.

**Ne jamais tenir la tronçonneuse d'une seule main !**

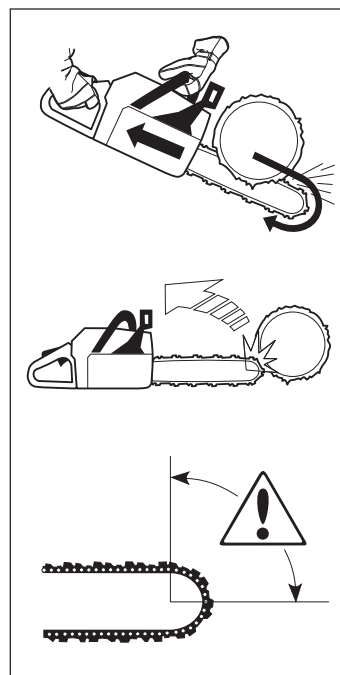


5 Afin de conserver le contrôle de la tronçonneuse, toujours conserver une position stable. Ne jamais travailler sur une échelle, dans un arbre ou sur tout autre support ne garantissant pas une bonne sécurité.



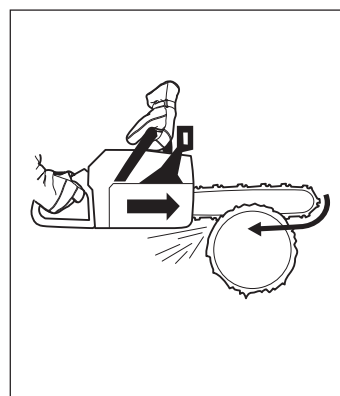
6 Toujours travailler à la vitesse maximale, c'est à dire à pleins gaz.

7 Attention en utilisant le tranchant supérieur du guide-chaîne, c'est à dire en sciant la pièce par en dessous (de bas en haut). Ceci s'appelle travailler en poussée, étant donné que la force réactionnelle de la chaîne pousse la tronçonneuse vers l'opérateur.



Il importe de résister à la poussée en arrière du guide-chaîne. En effet, si le guide-chaîne est repoussé assez en arrière pour que le nez se trouve à son tour engagé (zone dangereuse), un rebond peut se produire.

Si on coupe avec la partie inférieure de la chaîne, c'est à dire par en dessus (de haut en bas), la tronçonneuse est attirée vers le bois, en s'éloignant de l'opérateur. En ce cas, l'opérateur a un meilleur appui sur la pièce, et contrôle mieux à la fois son outil et la place du nez (zone dangereuse). C'est la méthode la plus sûre.



8 Suivre les instructions du fabricant relatives à l'affûtage et à l'entretien. N'utiliser que des pièces d'origine, et seulement les combinaisons chaîne et guide-chaîne recommandées. Voir au chapitre "Caractéristiques techniques", "Équipement de coupe".



### ATTENTION!

**Un équipement de coupe défectueux ou une chaîne mal affûtée augmentent le risque de rebond, de même qu'une mauvaise combinaison chaîne et guide-chaîne !**

# INSTRUCTIONS DE SECURITE

## INSTRUCTIONS GENERALES DE SECURITE

1 La tronçonneuse est destinée à ne couper que du bois. Le seul accessoire autorisé est la combinaison guide-chaîne et chaîne recommandée par le fabricant. Voir les "Caractéristiques techniques".

2 Eviter d'utiliser la tronçonneuse quand on est fatigué, quand on a bu de l'alcool ou pris un médicament apte à modifier l'acuité visuelle, la précision des gestes ou l'état général.



3 Toujours porter l'équipement de protection. Voir au chapitre "Protection personnelle".

4 Ne pas utiliser de tronçonneuse modifiée et non conforme au modèle original.

5 La tronçonneuse doit être en parfait état de marche. Suivre dans le mode d'emploi les instructions de maintenance et d'entretien. Certaines réparations doivent être confiées à un spécialiste. Voir au chapitre "Entretien".



### 6 MISE EN MARCHÉ

• Ne jamais démarrer une tronçonneuse tant que le guide, la chaîne et tous les capots n'ont pas été mis en place correctement.

• Ne pas mettre la machine en route à l'intérieur. Les gaz d'échappement sont nocifs.

• S'assurer que la zone de travail est bien dégagée, que les personnes et les animaux sont à l'abri de la chaîne.

• Le frein de chaîne doit être activé lors de la mise en marche. Voir les instructions au chapitre Démarrage et arrêt. Ne pas démarrer la tronçonneuse dans l'air (voir les instructions correctes de démarrage ci-dessous). Cette méthode est très dangereuse dans la mesure où l'utilisateur risque de perdre le contrôle de la tronçonneuse. Voir les instructions au chapitre Démarrage et arrêt.



• Poser la tronçonneuse au sol, le pied droit passé dans la poignée arrière. Tenir solidement la poignée avant avec la main gauche, en s'assurant que la tronçonneuse est bien d'aplomb et que la chaîne ne touche rien. Puis saisir avec la main droite la poignée du lanceur et tirer. Ne jamais enrouler la corde du lanceur autour de la main.

## 7 SECURITE CARBURANT (Remplissage/mélange de carburant/remisage)



**ATTENTION!**  
Le carburant et les vapeurs de carburant sont extrêmement inflammables. Attention en manipulant le carburant et l'huile de chaîne. Penser au risque d'explosion, d'incendie ou d'empoisonnement.

• Ne jamais faire de remplissage lorsque le moteur tourne.

• Assurer une bonne aération en faisant le remplissage et le mélange de carburant (essence et huile 2 temps).

• Avant de la mettre en route, déplacer la tronçonneuse à 3 mètres au moins de l'endroit où a été fait le plein.

• Ne jamais démarrer la tronçonneuse:

a) Si du carburant ou de l'huile de chaîne ont été répandus sur la machine. Essuyer soigneusement toute trace et laisser les restes d'essence s'évaporer.

b) Si l'on a renversé sur ses vêtements ou sur soi du carburant ou de l'huile de chaîne a été renversé. Changer de vêtements.

c) S'il y a eu fuite de carburant. Vérifier régulièrement que le bouchon de réservoir et la conduite de carburant ne fuient pas.

• Remiser la tronçonneuse et le carburant de sorte que ni fuites ni émanations ne puissent entrer en contact avec une étincelle ou flamme : machine électrique, contacteur ou interrupteur électrique, chaudière, etc.

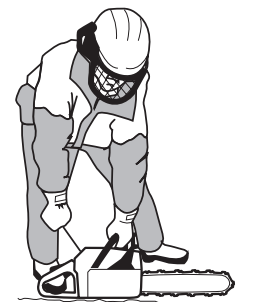
• N'utiliser que des récipients destinés à du carburant.

• En cas de longues périodes de remisage ou de transport de la tronçonneuse, les réservoirs de carburant et d'huile devront être vidés. Pour se débarrasser du surplus, s'adresser à la station service la plus proche.

8 N'utiliser que les accessoires recommandés. Voir "L'équipement de coupe" et les "Caractéristiques techniques".



Min. 3 m  
(10 ft)



**ATTENTION!**  
Un équipement de coupe défectueux ou une chaîne mal affûtée augmentent le risque de rebond, de même qu'une mauvaise combinaison chaîne et guide-chaîne !

# INSTRUCTIONS DE SECURITE

## METHODES DE TRAVAIL



Ce chapitre concerne les mesures élémentaires de sécurité en utilisant la tronçonneuse. Mais aucune information ne peut remplacer l'expérience et le savoir-faire de l'opérateur. En cas de doute ou de difficulté, il est recommandé de s'adresser à un spécialiste, soit le concessionnaire habituel, soit l'atelier le plus proche, soit enfin un professionnel expérimenté (consulter l'annuaire du téléphone à la rubrique exploitation forestière). **EVITER TOUT EMPLOI DE LA TRONÇONNEUSE POUR LEQUEL ON NE SE SENT PAS SUFFISAMMENT QUALIFIÉ!**

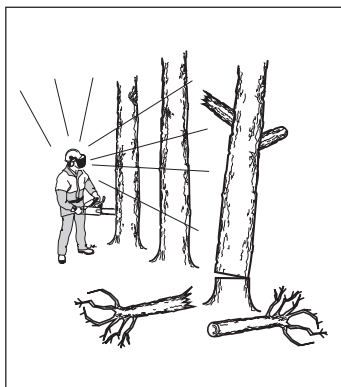
### Important

- 1 Il faut être averti du phénomène de rebond et savoir comment l'éviter pour pouvoir utiliser la tronçonneuse (voir au chapitre "Mesures anti-rebond").
- 2 Il faut connaître également les deux procédés : scier avec la partie supérieure ou la partie inférieure de la chaîne (voir "Mesures anti-rebond").

### 1 Règles élémentaires de sécurité

- 1 Bien observer la zone de travail :

- S'assurer que personne, témoin ou animal, ne risque de gêner l'usage de la tronçonneuse.
- S'assurer que personne n'est à portée de la chaîne et ne risque d'être blessé par une branche tombée.



Observer les règles ci-dessus et néanmoins s'assurer de pouvoir appeler à l'aide en cas d'accident.

- 2 Ne pas travailler par mauvais temps : brume, averse, vent violent, gel, etc. Travailler dans ces conditions est cause de fatigue et peut même être dangereux : sol glissant, chute d'arbre ou de branchage, etc.
- 3 Attention en élagant les petites branches, et éviter de scier un bosquet (ou plusieurs branchettes en même temps). Les branchettes peuvent se coincer dans la chaîne, être projetées vers l'opérateur et causer des blessures.



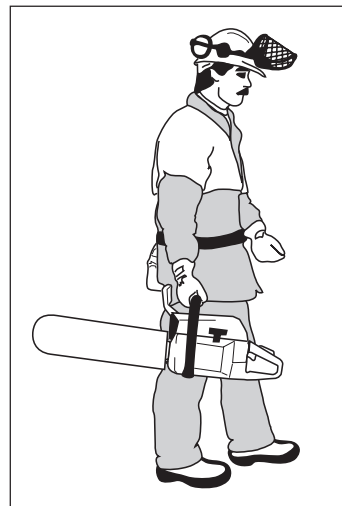
- 4 S'assurer que le passage est libre et solide, sans obstacles gênants : souches, pierres, branchages, fondrières, etc. Attention en travaillant en terrain incliné.



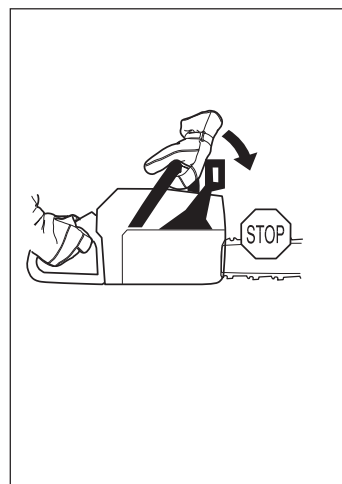
- 5 Attention en coupant des branches ou des troncs pliés. Une fois coupé, la branche ou le tronc peut revenir d'un seul coup en position initiale, ce qui est dangereux surtout si l'entaille ou l'opérateur se trouvent mal placés. La tronçonneuse peut être soumise à un choc violent et l'opérateur perdre l'équilibre, d'où risque de blessure grave.



- 6 Pour se déplacer, bloquer la chaîne avec le frein de chaîne et couper le moteur. Porter la machine avec le guide-chaîne tourné vers l'arrière. Pour un transport prolongé, utiliser le fourreau du guide-chaîne.



- 7 Ne jamais laisser sans surveillance la tronçonneuse avec le moteur en marche, et sans avoir bloqué la chaîne avec le frein de chaîne. En cas de stationnement prolongé, toujours couper le moteur.





# INSTRUCTIONS DE SECURITE

## 2 Méthodes de travail

### Généralités

- **Toujours travailler à pleins gaz.**
- **Mettre le moteur au ralenti après chaque coupe** (maintenir le régime maximal hors charge, c'est à dire sans que le moteur ait à supporter le travail de la chaîne, risque d'endommager gravement le mécanisme).
- Scier de haut en bas = méthode "tirée".
- Scier de bas en haut = méthode "poussée".

Voir au chapitre "Mesures anti-rebond" pour le risque de rebond avec la méthode "poussée".

### Terminologie

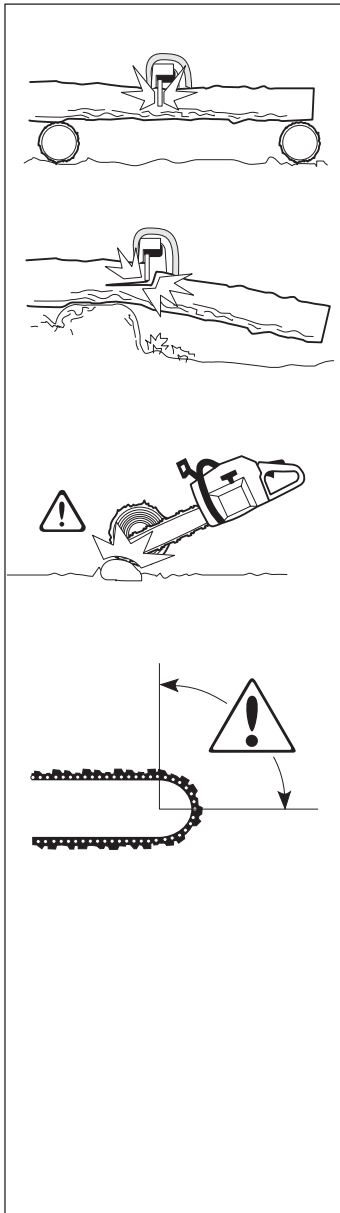
Sciage = consiste à scier le tronc de part en part.

Elagage = consiste à ébrancher un arbre abattu.

Fendage = consiste à casser la pièce avant que l'entaille ne soit terminée.

### Avant toute opération de sciage, observer les cinq facteurs suivants :

- 1 Ne pas coincer l'outil de coupe dans l'entaille.
- 2 Ne pas casser la pièce en cours de sciage.
- 3 La chaîne ne doit rien rencontrer pendant ou après le sciage.
- 4 Y a-t-il risque de rebond ?
- 5 L'aspect du site et du terrain peut-il gêner votre position de travail ?



Si la chaîne se coince ou si la pièce à scier se casse, cela dépend de deux raisons : le support de la pièce avant et après le sciage, et l'état de tension de la pièce.

On peut en général éviter les inconvénients indiqués ci-dessus en effectuant le sciage en deux temps, soit de haut en bas, soit de bas en haut. Il suffit de neutraliser la tendance naturelle de la pièce à coincer la chaîne ou à se fendre.



**Si la chaîne se coince dans l'entaille. COUPER LE MOTEUR ! Ne pas tirer sur la tronçonneuse pour la dégager. Vous risqueriez de vous blesser à la chaîne au moment où la tronçonneuse se décoince. Utiliser un bras de levier pour décoincer la tronçonneuse.**

La liste suivante indique comment se tirer des situations les plus couramment rencontrées par les utilisateurs de tronçonneuses.

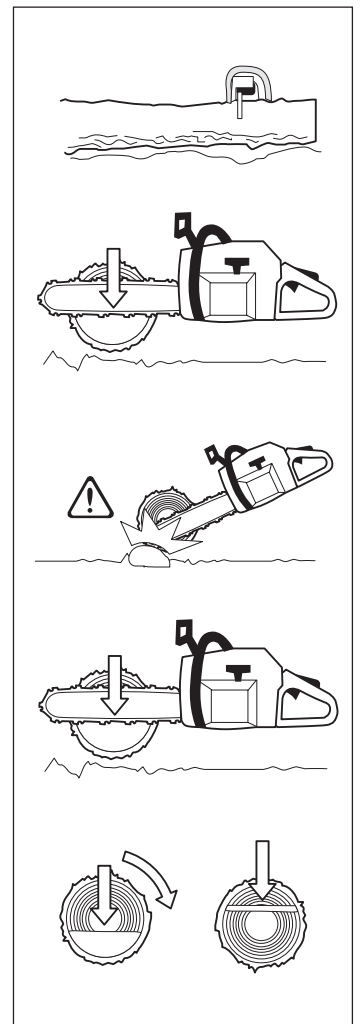
### Coupage

- 1 Le tronc est couché à même le sol. Il n'y a aucun risque de coincage de la chaîne ou de fendage de la pièce à scier. Par contre, il existe un risque important que la chaîne rencontre le sol après le sciage.

Couper le tronc de haut en bas. Faire attention à la fin de l'entaille pour éviter que la chaîne rencontre le sol. Maintenir le pleins gaz et se préparer à toute éventualité.

- A Si cela est possible (= s'il est possible de retourner le tronc), interrompre de préférence l'entaille aux 2/3 du tronc.

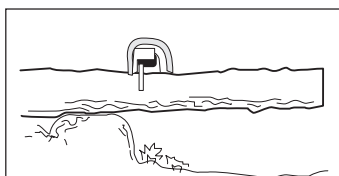
- B Retourner le tronc de manière à pouvoir couper le 1/3 restant de haut en bas.



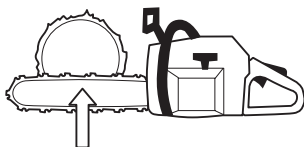


# INSTRUCTIONS DE SECURITE

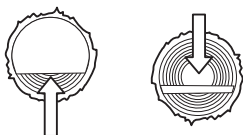
2 Risque important de fendage si une extrémité du tronc repose sur un support.



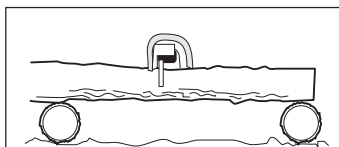
A Commencer par couper le tronc par en bas (environ 1/3 du diamètre).



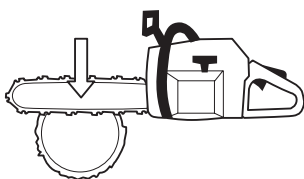
B Finir la coupe par en haut, de manière que les deux traits de coupe se rencontrent.



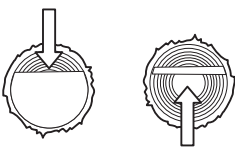
3 Les deux extrémités du tronc reposent sur des supports. Risque important de coinçage de la chaîne.



A Commencer par couper le tronc par en dessus (environ 1/3 du diamètre).



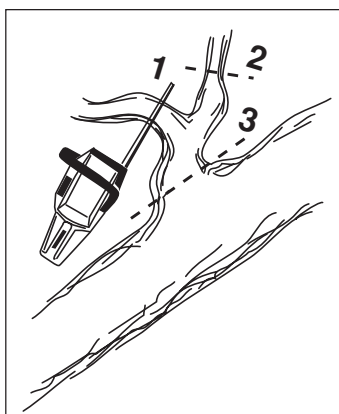
B Finir la coupe par en dessous, de manière que les traits de coupe se rencontrent.



## Ebranchage

Lors de l'ébranchage de branches épaisses, procéder comme pour le sciage ordinaire.

Couper les branches gênantes par étapes, une par une.



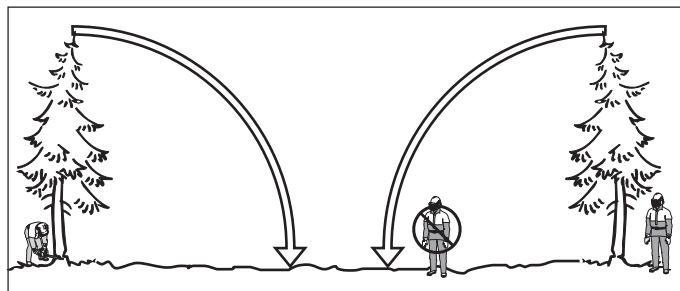
## 3 Techniques d'abattage



**L'abattage d'un arbre demande beaucoup d'expérience. Un utilisateur non expérimenté ne doit pas effectuer d'abattages. EVITEZ TOUT UTILISATION QUE VOUS NE MAÎTRISER PAR SUFFISAMMENT !**

### A Distance de sécurité

La distance de sécurité à respecter entre un arbre à abattre et le lieu de travail doit être d'au moins 2 1/2 fois la hauteur de l'arbre. Veiller à ce que personne ne se trouve dans la "zone dangereuse" avant et pendant l'abattage.



### B Sens d'abattage

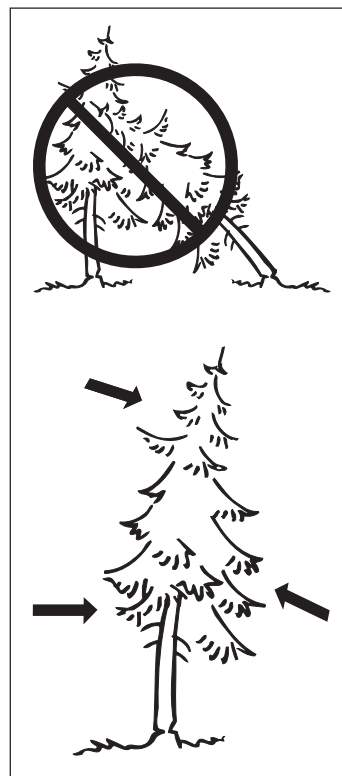
Le but consiste à placer l'arbre abattu de façon à faciliter l'ébranchage et le tronçonnage ultérieurs du tronc. Chercher à sécuriser au maximum la position de travail.

Il faut avant tout éviter que l'arbre abattu ne s'accroche à un autre arbre. Décrocher un arbre coincé peut s'avérer très dangereux (voir point 4 de ce chapitre).

Après avoir décidé du sens d'abattage de l'arbre, estimer dans quel sens l'arbre aura tendance à s'abattre naturellement.

Les facteurs déterminants sont :

- L'inclinaison
- La courbure
- La direction du vent
- La densité des branches
- Le poids éventuel de la neige



Cette estimation peut amener à juger plus prudent de laisser l'arbre tomber dans son sens naturel de chute, soit que le sens d'abattage décidé auparavant soit impossible à obtenir, soit qu'il constitue un danger.

Un autre facteur important (qui n'a aucune incidence sur le sens d'abattage mais concerne votre sécurité), c'est la présence éventuelle de branches mortes ou cassées qui, en se détachant, risquent de vous blesser.

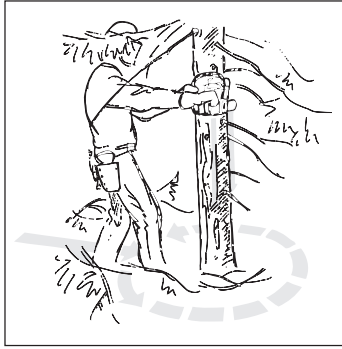


**Lors de délicates opérations d'abattage, les protecteurs d'oreilles devront être retirés dès la fin du tronçonnage afin que tout bruit ou signal d'avertissement puisse être entendu.**

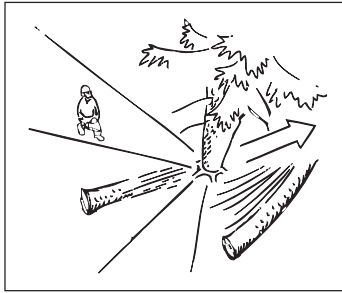
# INSTRUCTIONS DE SECURITE

## C Emondage des branches basses et voie de retraite

Eliminer les branches basses en procédant de haut en bas et en ayant le tronc entre soi et la tronçonneuse. Jamais plus haut que les épaules.



Dégager les taillis autour du tronc et éviter les obstacles tels que pierres, branches cassées, fondrières, etc. S'assurer d'une voie de retraite facile au moment de la chute. Celle-ci doit être à 135° derrière la chute prévue.



## D Abattage

L'abattage consiste en deux opérations : l'encoche et le trait de chute. Commencer par L'ENTAILLE SUPÉRIEURE (en diagonale) du côté de la chute. Puis bien regarder dans L'ENTAILLE INFÉRIEURE (horizontale) pendant son exécution, pour ne pas scier trop profondément. Les deux entailles formeront une charnière large et peu profonde, dont l'angle doit être suffisamment ouvert pour guider la chute aussi exactement que possible.

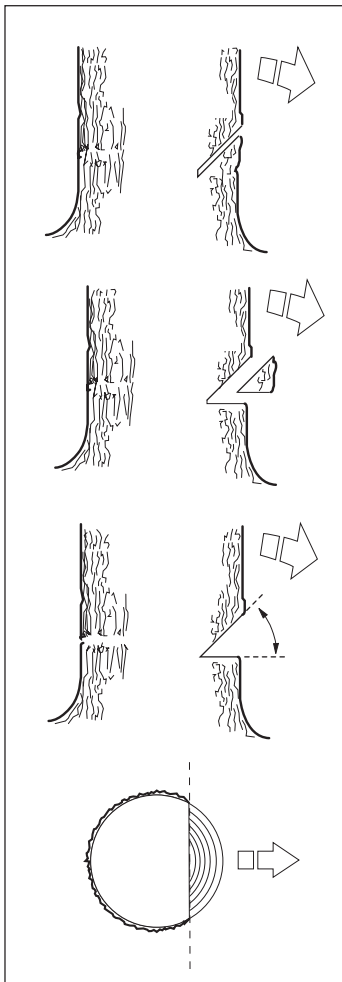
### Entaille d'abattage

Pour effectuer l'encoche, commencer par l'entaille supérieure. Se tenir à droite de l'arbre, méthode "tirée".

Puis effectuer l'entaille inférieure de façon que les deux entailles correspondent.

L'encoche doit faire 1/4 du diamètre du tronc et l'angle entre les deux entailles doit être d'au moins 45°.

La ligne de jointure entre les deux entailles s'appelle LE TRAIT DE CHUTE. Celui-ci doit être horizontal et former un angle de 90° avec la sens de chute prévu.



## ENTAILLE D'ABATTAGE

Cette entaille se fait de l'autre côté du tronc et doit être parfaitement horizontale. Se tenir à gauche de l'arbre, méthode "tirée".

Placer l'entaille d'abattage à environ 3-5 cm au-dessus du TRAIT DE CHUTE horizontal.

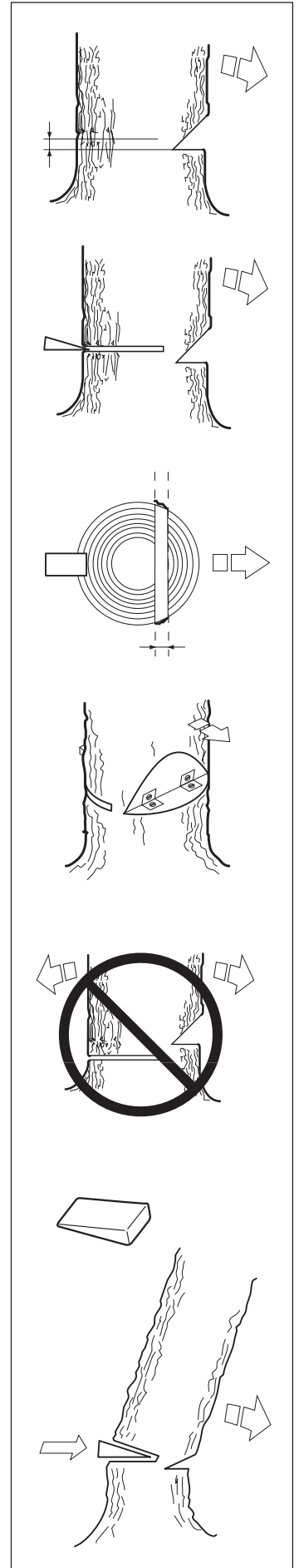
Scier à pleins gaz et enfoncer graduellement le guide-chaîne dans le tronc. Attention si l'arbre se déplace dans le sens opposé au sens de chute choisi. Introduire un COIN ou un BRAS DE LEVIER dans L'ENTAILLE D'ABATTAGE dès que la profondeur le permet.

L'ENTAILLE D'ABATTAGE doit s'achever parallèlement au TRAIT DE CHUTE, l'espace entre les deux étant 1/10 du diamètre du tronc. La partie non coupée s'appelle la CHARNIÈRE.

Celle-ci guide le tronc dans la direction de chute.

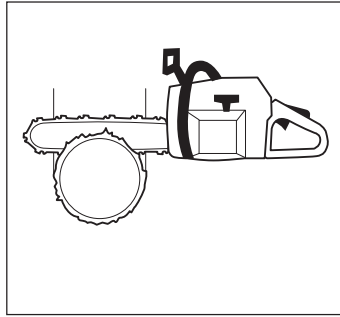
Ce contrôle fonctionne mal si la charnière est trop petite ou coupée trop profondément ou si les deux entailles ne coïncident pas.

Une fois les deux entailles terminées, l'arbre tombe de lui-même ou à l'aide d'un COIN.

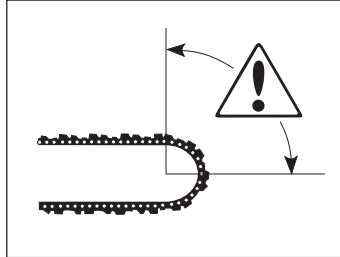


# INSTRUCTIONS DE SECURITE

Nous recommandons une longueur de guide-chaîne supérieure au diamètre du tronc, ce qui simplifie que L'ENTAILLE d'abattage et LE TRAIT DE CHUTE s'effectuent avec UN SIMPLE TRAIT DE SCIE (voir aux "Caractéristiques techniques" les longueurs de guide-chaîne recommandées pour chaque modèle de tronçonneuse).



Il existe des méthodes d'abattage pour les troncs dont le diamètre est supérieur à la longueur du guide-chaîne. Ces méthodes comportent un risque important que la zone de rebond du guide-chaîne entre en contact avec un objet.



**Il est déconseillé aux utilisateurs non expérimentés d'abattre un arbre dont le diamètre du tronc est supérieur à la longueur du guide-chaîne!**

## E Ebranchage



**La plupart des rebonds se produisent lors de l'ébranchage! Bien observer où se trouve la zone de rebond du guide-chaîne en coupant des branches pliées!**

Se tenir bien d'aplomb, et à gauche du tronc. Se tenir aussi proche que possible de la tronçonneuse pour mieux la maîtriser. Si possible, prendre appui sur le tronc avec le corps de la tronçonneuse.



Ne se déplacer qu'avec le tronc entre soi et la tronçonneuse.

## F Tronçonnage en rondins

Voir au chapitre "Instructions Générales de sécurité", "Méthodes de travail"

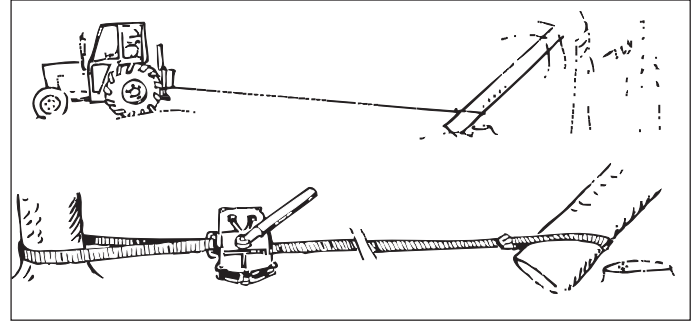
## 4 Solution à un abattage raté = grand risque d'accident

### A Récupération d'un arbre accroché

Le plus sûr est d'utiliser un treuil.

A Monté sur tracteur

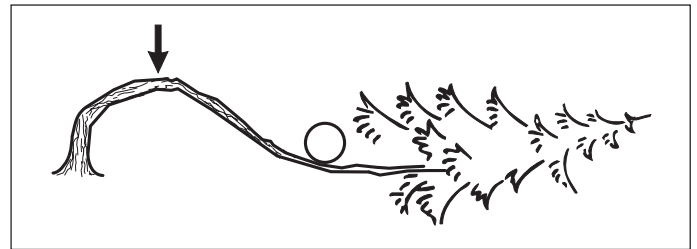
B Mobile



### B Sciage d'un arbre ou d'une branche pliés

Préparations:

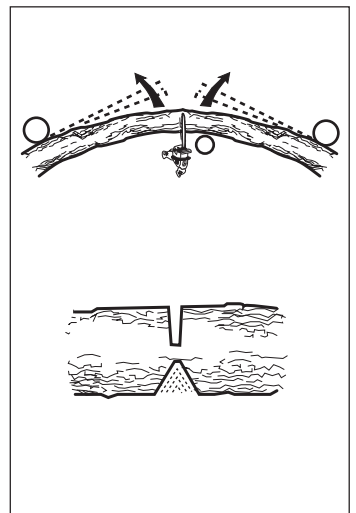
- Apprécier la direction dans laquelle l'arbre ou la branche est susceptible de se détendre, ainsi que son POINT DE RUPTURE (= en cas de flexion supplémentaire).



- S'assurer de pouvoir agir SANS RISQUE et si une solution est possible. En cas de difficulté, le plus sûr moyen est de ne pas se servir de la tronçonneuse et d'avoir recours à un treuil.

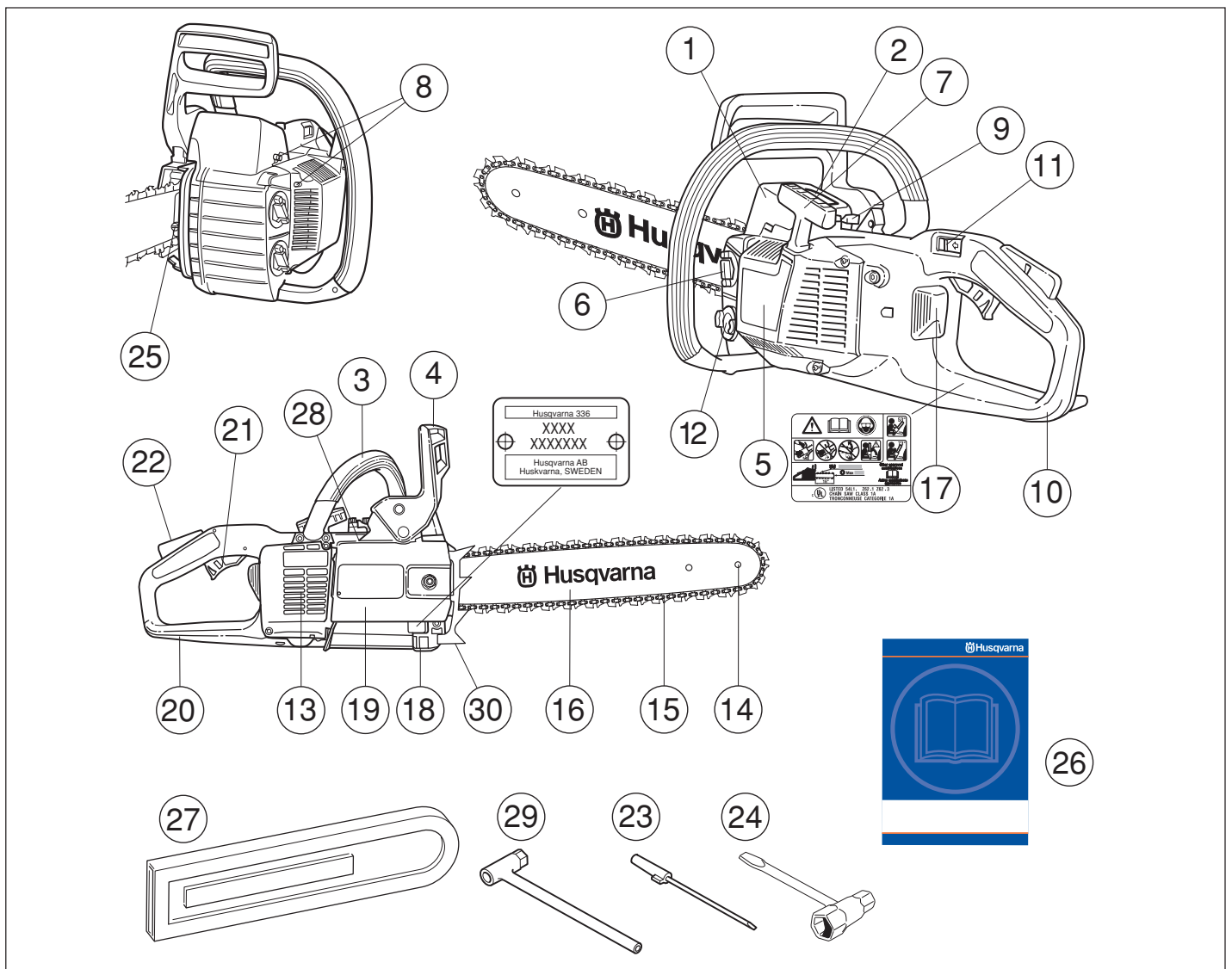
Règle générale :

- Se place de façon à ne pas se trouver dans le trajet en cas de détente.
- Faire plusieurs entailles à proximité du POINT DE RUPTURE en nombre et de profondeur suffisants pour provoquer la RUPTURE AU POINT susdit.



**Ne jamais scier de part en part un arbre ou une branche pliés!**

# QUELS SONT LES COMPOSANTS ?



## Quels sont les composants?

1. Carter de filtre.
2. Air Purge
3. Poignée avant.
4. Protection anti-rebond.
5. Lanceur.
6. Réservoir d'huile pour chaîne.
7. Poignée de lanceur.
8. Vis de réglage du carburateur.
9. Commande d'arrêt et starter:
  - Starter/gâchette de sécurité.
  - Position de marche.
10. Poignée arrière.
11. Interrupteur d'arrêt:
  - Allumage, marche/arrêt.
12. Réservoir de carburant.
13. Silencieux.
14. Pignon avant.
15. Chaîne.
16. Guide-chaîne.
17. Capot de bougie.
18. Capteur de chaîne. Bloque la chaîne en cas de saut ou de rupture de chaîne.
19. Carter d'embrayage avec frein de chaîne intégré.
20. Protection de la main droite. Protège la main droite en cas de saut ou de rupture de chaîne.
21. Gâchette d'accélérateur.
22. Blocage d'accélérateur. Empêche les accélérations involontaires.
23. Tournevis
24. Clé universelle.
25. Vis de tendeur de chaîne.
26. Manuel d'utilisation.
27. Fourreau protecteur du guide-chaîne.
28. Vis de réglage de la pompe huile.
29. Clé pour la bougie.
30. Patin d'ébranchage.

# MONTAGE

## Montage du guide-chaîne et de la chaîne

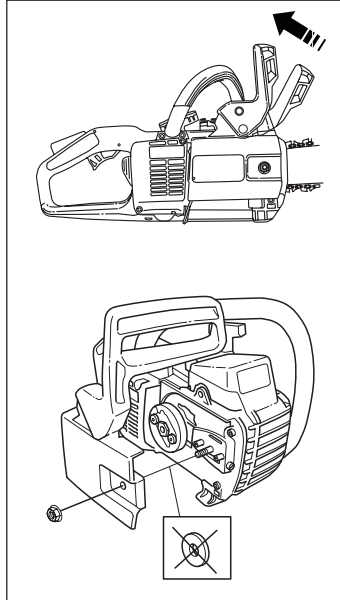


Utiliser des gants pour toute manipulation de la chaîne.

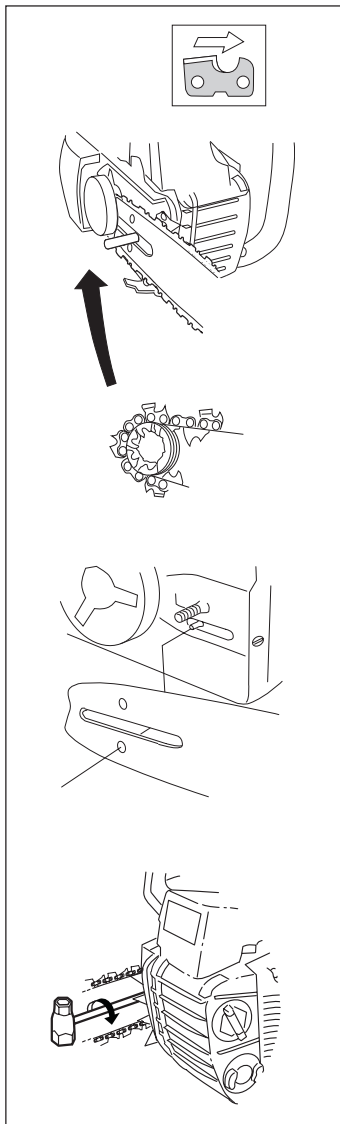


S'assurer que le frein de chaîne ne soit pas déclenché, en amenant l'arceau de protection contre l'étrier de la poignée avant.

Dévisser l'écrou et retirer le carter d'embrayage (frein de chaîne). Déposer la protection de transport (A).



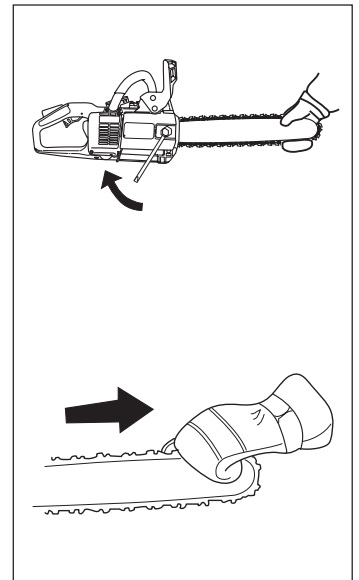
Positionner le guide-chaîne sur les goujons et l'amener à sa position la plus reculée. Placer la chaîne sur le pignon d'entraînement et sur le guide-chaîne. Commencer par le dessus du guide. S'assurer que la face tranchante des dents est vers l'avant sur le dessus du guide.



Monter le carter d'embrayage (frein de chaîne) et centrer le goujon de tension de la chaîne dans l'ouverture du guide. S'assurer que les maillons d'entraînement s'engagent dans le pignon et que la chaîne est correctement placée dans la gorge du guide. Serrer les écrous du guide à la main. Tendre la chaîne en tournant à droite la vis de tension de chaîne à l'aide de la clé universelle. Tendre la chaîne jusqu'à ce qu'elle ne pende plus sous le guide.



Tendre la chaîne tout en mettant le guide à l'horizontale. La chaîne est tendue correctement quand elle ne pend plus sous le guide et peut être avancée à la main sans difficulté. Serrer les écrous du guide à l'aide de la clé universelle tout en maintenant le guide horizontal. La tension d'une chaîne neuve doit être vérifiée fréquemment pendant son rodage. Vérifier régulièrement. Une tension correcte est synonyme de bonne capacité de coupe et de longue durée de vie.





# MANIPULATION DE CARBURANT

## Carburant

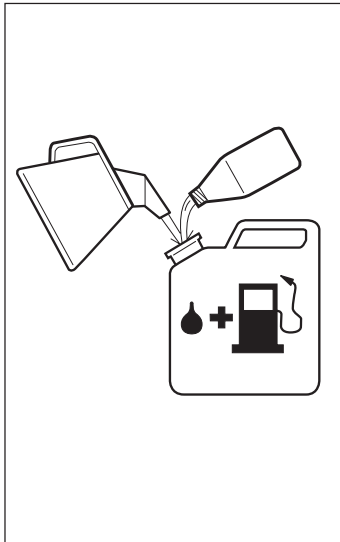
**IMPORTANT!** La tronçonneuse est équipée d'un moteur à deux temps et doit toujours être alimentée en mélange essence/huile. Afin d'assurer un rapport de mélange correct, il est important de mesurer avec précision la quantité d'huile à mélanger. Pour le mélange de petites quantités de carburant, même les moindres erreurs de la quantité d'huile affectent sérieusement le rapport de mélange.



**Veiller à une bonne aération pendant toute manipulation de carburant.**



## Essence

- **Ce moteur fonctionne avec une essence sans plomb.**
- Utiliser une essence de qualité, avec ou sans plomb.
- Taux d'octane minimum recommandé 87. Si l'on fait marcher le moteur à une essence de taux d'octane inférieur à 87, un cognement peut se produire, entraînant une augmentation de la température du moteur et ainsi le risque d'avaries graves du moteur.
- Pour les opérations utilisant un régime haut continu, il est recommandé d'utiliser un taux d'octane supérieur.



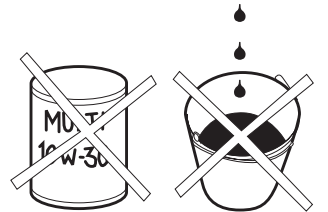
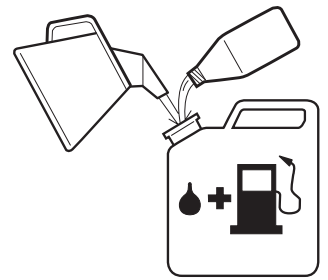
## Huile deux temps

- Pour les meilleurs résultats, utiliser l'huile deux-temps HUSQVARNA, une huile spécialement adaptée aux tronçonneuses. Mélanger à 1:50 (2 %).
- Ne jamais utiliser d'huile deux-temps pour moteurs hors-bord refroidis par l'eau, « outboardoil ».
- Ne jamais utiliser d'huile pour moteurs à quatre temps.

 Gasoline	 Oil 2%(1:50)
Lit.	Lit.
5	0,10
10	0,20
15	0,30
20	0,40
US gallon	US fl. oz.
1	2 1/2
2 1/2	6 1/2
5	12 7/8

## Mélange

- Toujours effectuer le mélange dans un récipient propre et approuvé pour l'essence.
- Toujours commencer par verser la moitié de l'essence à mélanger. Verser ensuite la totalité de l'huile. Mélanger en secouant le récipient. Enfin, verser le reste de l'essence.
- Mélanger (secouer) soigneusement le mélange avant de faire le plein.
- Ne jamais préparer plus d'un mois de consommation de carburant d'avance.
- Si la tronçonneuse n'est pas à utiliser pendant une certaine période, il faut vidanger et nettoyer le réservoir.
- **Ce moteur fonctionne avec une essence sans plomb.**

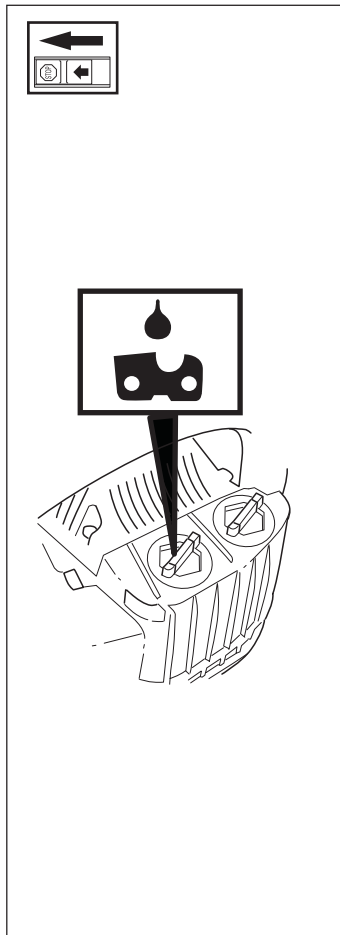




# MANIPULATION DE CARBURANT

## Huile pour chaîne

- La chaîne est lubrifiée automatiquement. Nous recommandons l'usage d'huile spéciale (huile pour chaîne), pourvue de bonnes qualités d'adhérence.
- Dans les pays où cette huile ne se trouve pas, utiliser de l'huile de transmission EP 90.
- Ne jamais utiliser d'huile usagée, ce qui endommagerait la pompe à huile, le guide-chaîne et la chaîne.
- Il est important d'utiliser une huile adaptée à la température de l'air (viscosité appropriée).
- Les températures inférieures à 0°C rendent certaines huiles visqueuses. Ceci peut causer une surcharge de la pompe à huile, endommageant les pièces de la pompe.
- Contacter votre réparateur pour vous faire conseiller sur le choix d'une huile.



## Remplissage



Les mesures préventives ci-dessous réduisent le risque d'incendie.

- Ne jamais fumer ni placer d'objet chaud à proximité de carburant.
- Ne jamais faire le plein avec le moteur en marche.
- Ouvrir le bouchon de réservoir lentement pour laisser baisser la surpression pouvant régner dans le réservoir.
- Serrer soigneusement le bouchon de réservoir après le remplissage.
- Toujours éloigner la tronçonneuse de l'endroit où l'on a fait le plein pour mettre la tronçonneuse en marche.

Essuyer le pourtour des bouchons de réservoir. Nettoyer régulièrement les réservoirs de carburant et d'huile pour chaîne. Remplacer le filtre à carburant au moins une fois par an. Des impuretés dans les réservoirs sont causes de mauvais fonctionnement. Veiller à obtenir un mélange homogène en secouant le récipient avant de remplir le réservoir. La contenance des réservoirs de carburant et d'huile pour chaîne étant adaptés l'un à l'autre, faire toujours le plein des deux à la même occasion.



# DÉMARRAGE ET ARRÊT

## Démarrage et arrêt



Ne jamais démarrer la tronçonneuse sans avoir monté guide-chaîne, chaîne et carter d'embrayage (frein de chaîne). L'embrayage risquerait de se détacher et d'occasionner un accident corporel. Toujours s'éloigner de l'endroit où l'on a fait le plein avant de démarrer. Placer la tronçonneuse sur un support stable. Veiller à être soi-même dans une position stable et à ce que la chaîne ne puisse entrer en contact avec quoi que ce soit. Veiller à ce qu'aucune personne non autorisée ne se trouve dans la zone la travail.

### Moteur froid

#### DÉMARRAGE :

Le frein de chaîne doit être activé lors du démarrage de la tronçonneuse. Activer le frein de chaîne en poussant l'arceau protecteur vers l'avant.

#### ALLUMAGE:

Ramener le contacteur d'arrêt en position de démarrage.

STARTER: Ramener le starter en mode starter.

#### POMPE A CARBURANT:

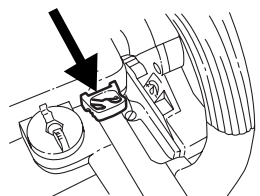
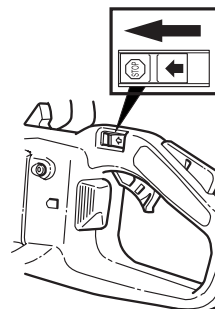
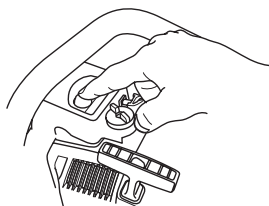
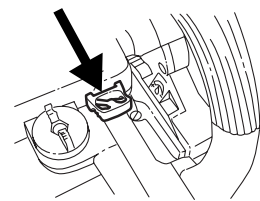
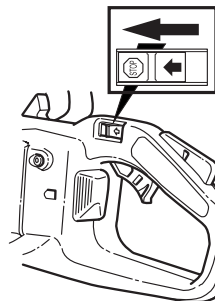
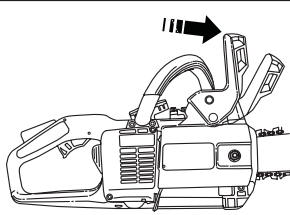
Appuyer sur la poche en caoutchouc de la pompe à carburant plusieurs fois jusqu'à ce que le carburant commence à remplir la poche. Il n'est pas nécessaire de remplir la poche entièrement.

Si la tronçonneuse est équipée d'un décompresseur (A) :

Enfoncer celui-ci pour réduire la pression dans le cylindre et faciliter le démarrage de la tronçonneuse. Toujours utiliser le décompresseur au démarrage. Une fois le moteur lancé, le décompresseur se remet automatiquement en position initiale.

### Moteur chaud

Suivre la même procédure que pour le démarrage moteur froid, mais sans starter. Le ralenti accéléré est sélectionné en tirant puis repoussant la commande de starter.



## Démarrage

Serrer le frein de chaîne en déplaçant l'arceau protecteur vers l'avant. Saisir la poignée avant avec la main gauche. Placer le pied droit sur la partie inférieure de la poignée arrière et appuyer la tronçonneuse sur le sol. Prendre la poignée du lanceur, tirer lentement avec la main droite jusqu'à sentir une résistance (les cliquets se mettent en prise) et tirer plusieurs fois rapidement et avec force jusqu'au démarrage du moteur. **Ne jamais enrouler la corde du lanceur autour de la main.**

Le frein de chaîne étant encore activé, le régime du moteur doit être mis sur le ralenti le plus vite possible en déconnectant rapidement la gâchette d'accélération. De cette manière, toute usure inutile de l'embrayage, du tambour d'embrayage et de la bande de frein peut être évitée.

Pousser la commande sur la position du ralenti accéléré quand le moteur s'allume et continuer les essais jusqu'à ce que le moteur démarre. Quand le moteur démarre, accélérer rapidement à fond, ce qui en même temps supprime le ralenti accéléré. Desserrer le frein de chaîne en déplaçant l'arceau protecteur vers l'arrière.

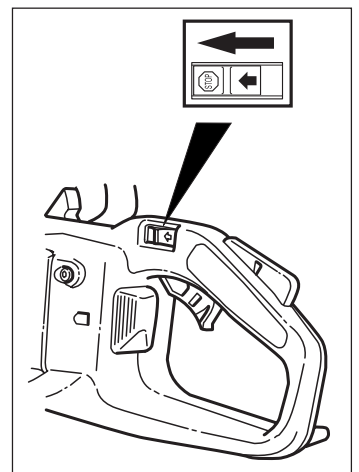
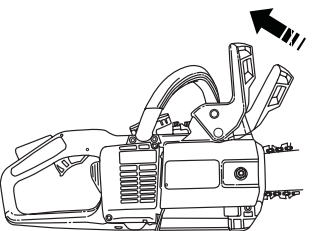
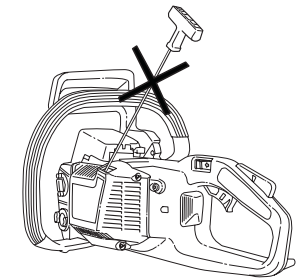
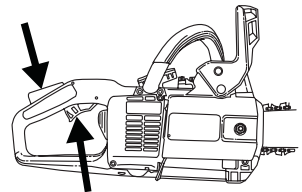
NOTA! Ne pas lâcher la poignée avec la corde du lanceur complètement sortie. Cela pourrait endommager la tronçonneuse. Réinitialiser le frein de chaîne en poussant la protection anti-rebond contre l'étrier de la poignée. La tronçonneuse est maintenant prête à être utilisée.

## Arrêt

Pour arrêter le moteur, couper l'allumage.

## Remisage

Tout remisage de la tronçonneuse doit être effectué sur une surface plane.



## Carburateur

Les caractéristiques techniques de cette tronçonneuse Husqvarna assurent des émissions de gaz nocifs réduites. Après 8-10 pleins, le moteur est "rodé". Pour s'assurer que son rendement est optimal et qu'il libère un minimum de gaz d'échappement nocifs après la période de rodage, il convient de demander à l'atelier de service autorisé, disposant d'un compte-tours, d'effectuer un réglage fin du carburateur.

## Fonctionnement, Réglage de base, Réglage fin



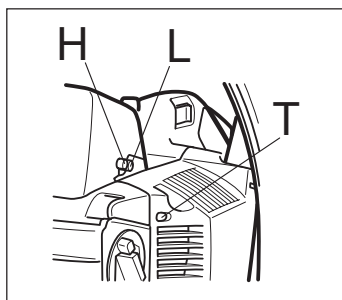
**Guide-chaîne, chaîne et carter d'embrayage (frein de chaîne) doivent être montés avant le démarrage de la tronçonneuse, sinon l'embrayage peut se détacher et causer un accident corporel.**

## Fonctionnement

- La gâchette accélérateur détermine via le carburateur le régime du moteur. Dans le carburateur l'air est mélangé à l'essence. Ce mélange est réglable. Pour pouvoir utiliser la puissance maximum, le réglage doit être correctement effectué.
- Le réglage du carburateur est l'adaptation du moteur aux conditions locales telles que le climat, l'altitude, le carburant et le type d'huile deux-temps.

- Le carburateur peut être réglé de trois façons.

L = Pointeau de bas régime  
H = Pointeau de haut régime  
T = Pointeau ralenti



- Les pointeaux L et H règlent le débit de carburant nécessaire par rapport au flux d'air permis par l'ouverture de la gâchette accélérateur. A les tourner à droite, cela donne un mélange plus pauvre (moins d'essence), à gauche donne un mélange plus riche (plus d'essence). Un mélange pauvre donne un régime plus haut et un mélange riche donne un régime plus bas.
- La vis T règle la position de la gâchette accélérateur au ralenti. Si l'on visse la vis T à droite, cela donne un régime de ralenti plus haut, et à gauche un régime de ralenti plus bas.

## Réglage de base et rodage

Le réglage de base du carburateur est effectué à l'usine lors des essais de fonctionnement. Le mélange de base est plus gras que le mélange optimal et doit être maintenu pendant les premières heures de service de la machine. Ensuite, il faut effectuer un réglage fin du carburateur. Le réglage fin doit être effectué par un technicien compétent.

REMARQUE! Si la chaîne tourne au ralenti, visser le pointeau T dans le sens inverse des aiguilles jusqu'à ce que la chaîne s'arrête.

Régime de ralenti recommandé: 2 800 tr/min.



**Si le réglage de ralenti est impossible sans que la chaîne soit entraînée, se mettre en rapport avec un atelier de service compétent. Ne pas utiliser la tronçonneuse avant de la faire ajuster ou réparer.**

## Réglage fin

- Une fois la tronçonneuse « rodée », le réglage fin doit s'effectuer par une personne compétente. Régler d'abord le pointeau L et ensuite la vis de ralenti T et finalement le pointeau H.

## Conditions

- A toutes opérations de réglage il faut que le filtre à air soit propre et le carter de cylindre monté. Si le carburateur est réglé le filtre à air étant sale, un mélange de carburant trop pauvre sera obtenu au prochain nettoyage du filtre. Ceci peut causer de graves endommagements du moteur.
- Serrer doucement les pointeaux L et H jusqu'à mi-chemin du filetage.
- Ne pas essayer de dépasser la position d'arrêt en réglant les pointeaux, une telle tentative pouvant endommager la machine.**
- Démarrer la tronçonneuse suivant les instructions et la réchauffer pendant 10 minutes. **Remarque: Si la chaîne tourne au ralenti, dévisser la vis T jusqu'à ce que la chaîne s'arrête.**
- Mettre la tronçonneuse sur une surface plane, le guide-chaîne pointant dans la direction opposée de vous, et en évitant que le guide-chaîne et la chaîne ne touchent le dessous ou d'autres objets.

## Pointeau L de bas régime

Tourner le pointeau L de bas régime dans le sens des aiguilles jusqu'à la butée. Si le moteur a une mauvaise accélération ou un ralenti irrégulier, tourner le pointeau L dans le sens inverse des aiguilles jusqu'à obtention d'une bonne accélération et ralenti. **REMARQUE!** Si la chaîne tourne dans la position de ralenti, tourner la vis de ralenti dans le sens inverse des aiguilles jusqu'à ce que la chaîne s'arrête.

## Réglage fin du ralenti T

Le ralenti se règle avec la vis réperée T. Si un réglage est nécessaire, visser la vis T jusqu'à ce que la chaîne commence à tourner. Ensuite, dévisser jusqu'à l'arrêt de la chaîne. Un ralenti correctement réglé permet au moteur de tourner régulièrement dans toutes les positions sans entraîner la chaîne, en offrant une marge avant la mise en rotation de la chaîne.

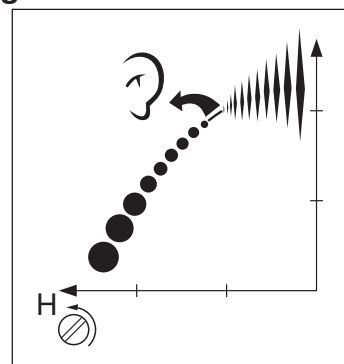


**Si le réglage de ralenti est impossible sans que la chaîne soit entraînée, se mettre en rapport avec un atelier de service compétent. Ne pas utiliser la tronçonneuse avant de la faire ajuster ou réparer.**

## Pointeau H de haut régime

Le pointeau H agit sur la puissance de la tronçonneuse. Un pointeau H réglé sur un mélange trop pauvre (pointeau H trop vissé) entraîne un régime trop élevé et endommage le moteur. Tourner le pointeau H dans le sens inverse des aiguilles jusqu'à la butée. Si le moteur tousse, tourner le pointeau H légèrement dans le sens des aiguilles jusqu'à ce que le moteur tourne régulièrement.

Le pointeau H de haut régime est correctement réglé si le moteur de la tronçonneuse tourne un peu à 4 temps. Si la tronçonneuse "siffle", le mélange est trop pauvre. Si les gaz d'échappement sont trop importants alors que le moteur tourne de trop à 4 temps, le mélange est trop riche. Tourner le pointeau H jusqu'à obtention du son correct. **REMARQUE!** Pour un réglage optimal du carburateur, contacter un atelier de service autorisé disposant d'un compte-tours.



## Carburateur correctement réglé

Un carburateur correctement réglé signifie que la tronçonneuse répond promptement au gaz et qu'elle tourne un peu au rythme 4-temps à plein gaz. Ne jamais permettre à la chaîne de tourner au ralenti. Si le pointeau L est trop vissé, il donne un mélange pauvre, ce qui peut rendre les démarrages difficiles et causer une accélération mauvaise. Un pointeau H trop vissé donne à la tronçonneuse une puissance plus basse, accélération mauvaise et/ou des détériorations du moteur. Un réglage trop riche des deux pointeaux L et H donne des problèmes d'accélération ou un régime de travail trop bas.

# ENTRETIEN

## Lanceur



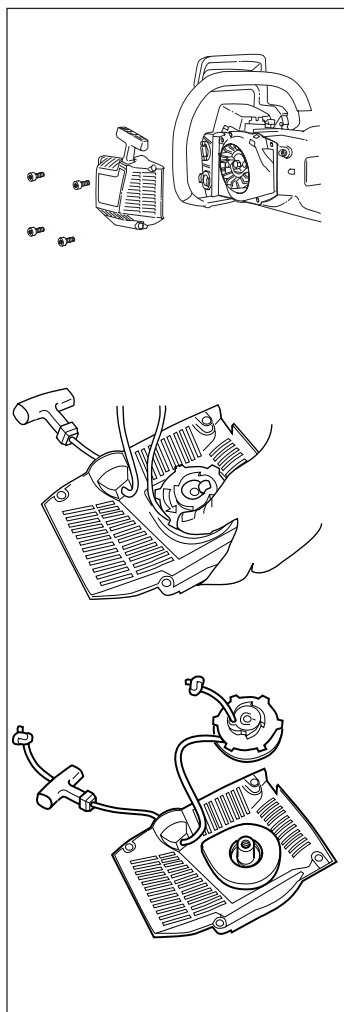
### AVERTISSEMENT!

- Le ressort de rappel est tendu et peut, en cas d'utilisation imprudente, sortir du boîtier et occasionner des accidents corporels.
- Observer la prudence pendant les opérations de remplacement du ressort ou de la corde. Porter des lunettes protectrices.

## Remplacement de corde de lanceur rompue ou usée



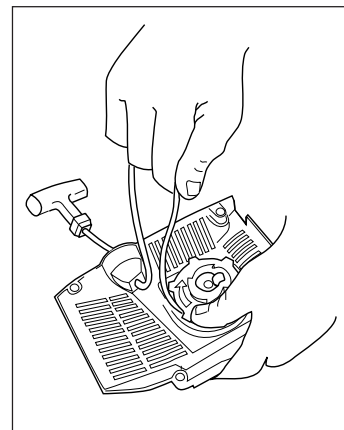
- Deposer les vis maintenant le lanceur contre le carter moteur et sortir le lanceur.
- Tirer la corde de lancement environ 30 cm et la mettre dans l'evideement de la poulie. Mettre a zero le ressort de rappel en laissant tourner prudemment la poulie en arriere. Devisser la vis au centre de la poulie et enlever la poulie.
- Installer et bloquer une nouvelle corde sur la poulie. Enrouler la corde 3 tours sur la poulie. Monter la poulie contre le ressort de rappel, de maniere a ce que celui-ci s'engage dans la poulie. Monter la vis dans le centre de la poulie. Passer la corde dans le trou du boîtier du lanceur et dans la poignee. Faire un naut robuste à l'extrémité de la corde.



## Mise du ressort sous tension

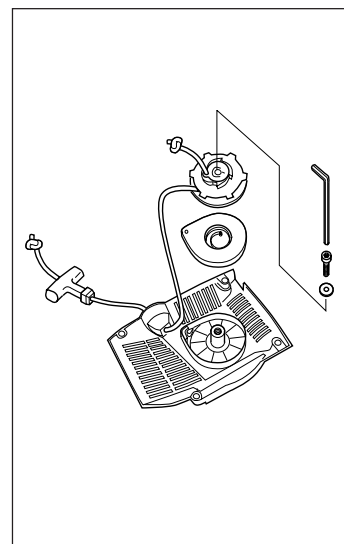
- Maintenir la corde contre l'encoche de la poulie et faire tourner la poulie environ deux tours à droit.

REMARQUE! Veiller à ce que la poulie puisse effectuer un demi-tour supplémentaire avec la corde entièrement déroulée.



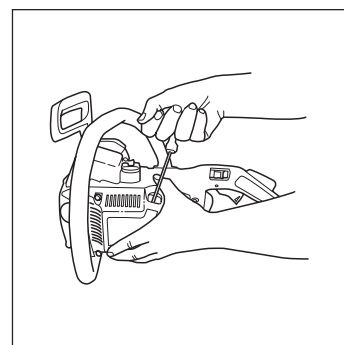
## Remplacement du ressort de rappel rompu

- Sortir la poulie du lanceur (voir remplacement de la corde).
- Retirer le boîtier du ressort de rappel en le soulevant. S'assurer que le ressort ne saute pas, ce qui blesserait l'opérateur.
- Lubrifier le ressort avec de l'huile fluide. Remonter la poulie, et mettre le ressort sous tension.
- Monter le boîtier avec le nouveau ressort.
- Monter la poulie et tendre le ressort de rappel.



## Montage du lanceur

- Dévider la corde avant de mettre le lanceur en place contre le carter moteur. Lâcher ensuite la corde lentement pour permettre aux cliquets de s'enclencher dans la poulie.
- Mettre en place et serrer les vis de maintien du lanceur.





# ENTRETIEN

## Filtre à air

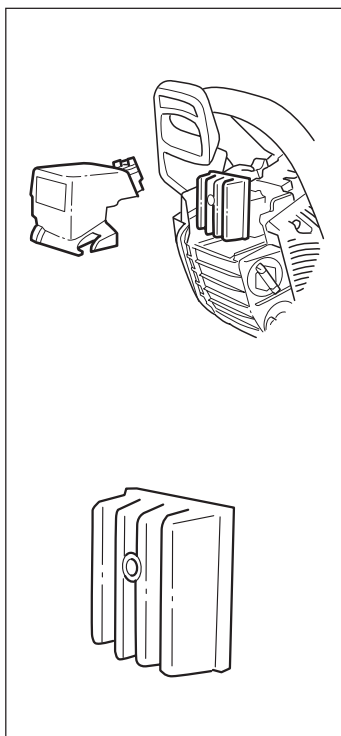
Le filtre à air et la zone autour du carburateur doivent être régulièrement nettoyés de toute poussière et saleté pour éviter:

- Mauvais fonctionnement du carburateur
- Problèmes de démarrage
- Perte de puissance
- Usure prématurée du moteur
- Consommation anormale de carburant.



Nettoyer le filtre tous les jours, et même plus souvent si l'environnement est très poussiéreux.

- Nettoyer le filtre tous les jours, et même plus souvent si l'environnement est très poussiéreux. Pour déposer le filtre à air, commencer par déposer le capot de cylindre. Au remontage, veiller à l'étanchéité filtre à air/support. Secouer ou brosser le filtre et nettoyer la zone autour du carburateur.
- Pour un nettoyage plus sérieux, laver le filtre à eau savonneuse.



Un filtre ayant servi longtemps ne peut plus être complètement nettoyé. Le filtre à air doit donc être remplacé à intervalles réguliers. **IMPORTANT! Tout filtre endommagé doit être remplacé immédiatement.**

## Bougie



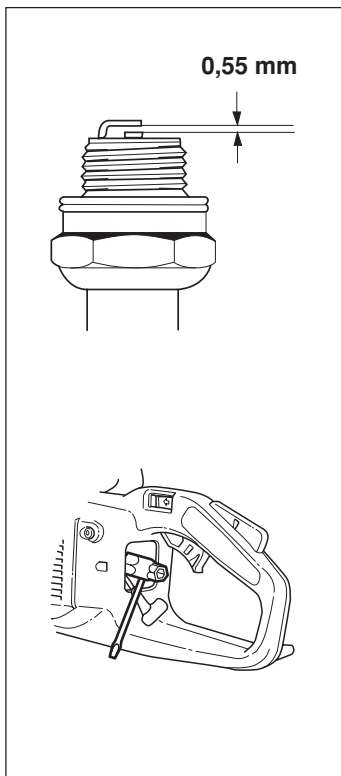
L'état de la bougie dépend de:

- L'exactitude du réglage du carburateur.
- L'exactitude du mélange (trop d'huile est également néfaste).
- La propreté du filtre à air. Ces facteurs peuvent concourir à l'apparition de calamine sur les électrodes, ce qui à son tour entraîne un mauvais fonctionnement du moteur et des démarrages difficiles.

**Si la tronçonneuse ne donne pas sa pleine puissance, si elle est difficile à mettre en marche ou si le ralenti est irrégulier, toujours commencer par contrôler l'état de la bougie.**

Si la bougie est encrassée, la nettoyer et vérifier que l'écartement des électrodes est 0,5 mm (0,020").

Remplacer la bougie une fois par mois, éventuellement plus souvent.

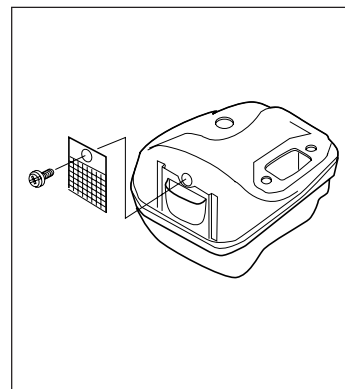


REMARQUE: Utiliser toujours le type de bougie recommandé! Une bougie incorrecte peut endommager le piston/le cylindre.

## Silencieux



Le silencieux est conçu pour atténuer le bruit et dévier le flux des gaz d'échappement. Ces gaz sont chauds et peuvent transporter des étincelles risquant de causer un incendie si elles entrent en contact avec un matériau sec et inflammable. Certains silencieux sont munis d'une grille pare-étincelles.



Cette grille doit être nettoyée une fois par semaine sur les tronçonneuses qui en sont équipées. Utiliser une brosse à bougies.

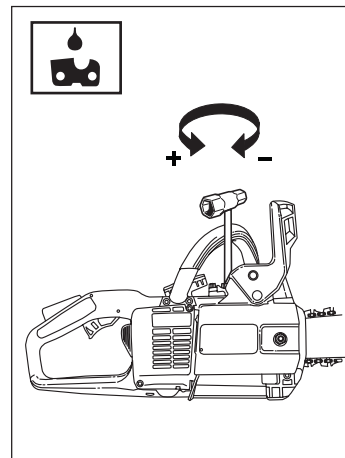
NB! Remplacer la grille si elle est endommagée. Une grille encrassée cause une surchauffe du moteur entraînant des détériorations. Ne jamais se servir d'une tronçonneuse dont le silencieux est endommagé.

## Réglage de la pompe à huile



La pompe à huile peut être réglée en tournant la vis à l'aide d'un tournevis ou d'une clé.

La tronçonneuse est livrée de l'usine avec un tour ouvert. Le débit d'huile diminue lorsque l'on tourne la vis dans le sens des aiguilles d'une montre. Il augmente lorsque l'on tourne la vis dans le sens contraire des aiguilles d'une montre. **REMARQUE! Max. 1 1/2 tour.**



**Attention! Arrêter le moteur avant d'effectuer le réglage.**

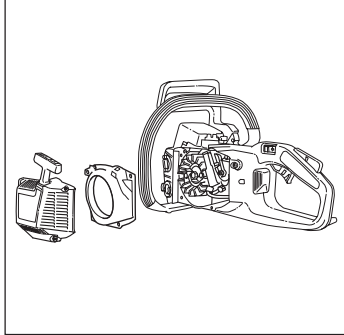
# ENTRETIEN

## Système de refroidissement



Pour obtenir une température de service aussi basse que possible, la tronçonneuse est dotée d'un système de refroidissement, comportant :

1. Une prise d'air dans le démarreur.
2. Une tôle-guide d'air.
3. Des ailettes de ventilation de volant
4. Des ailettes de refroidissement de cylindre.

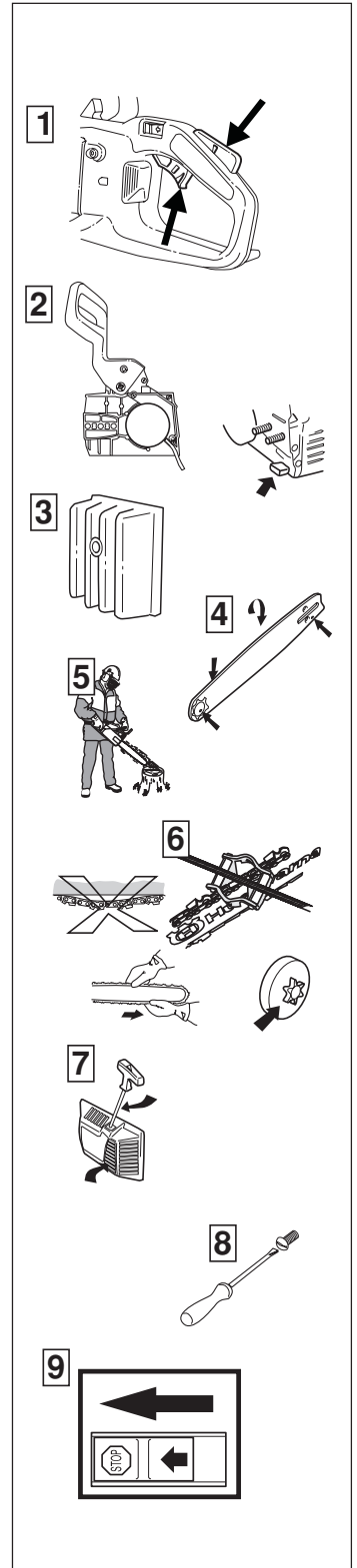


Une fois par semaine, nettoyer le système de refroidissement avec une brosse; dans les conditions sévères, plus souvent. **Un système de refroidissement sale ou colmaté provoque une surchauffe de la tronçonneuse, ce qui entraîne l'endommagement du cylindre et du piston.**

Nous donnons ici quelques conseils de caractère général. Pour des questions plus précises, contacter votre réparateur.

## Entretien quotidien

1. S'assurer du bon fonctionnement de la gâchette d'accélérateur. En cas de blocage ou si le moteur ne revient pas au régime de ralenti, contacter le distributeur, avant d'utiliser une nouvelle fois la machine. S'assurer également que la gâchette ne peut pas être tirée si la gâchette de sécurité n'a pas été enfoncée.
2. Nettoyer le frein de chaîne et en contrôler le bon fonctionnement. S'assurer que le capteur de chaîne est en bon état. Le remplacer si nécessaire.
3. Nettoyer le filtre à air et la zone autour du carburateur. Remplacer le filtre à air si nécessaire.
4. Retourner le guide-chaîne tous les jours pour répartir l'usure. S'assurer que le trou de lubrification n'est pas obturé. Nettoyer la gorge. Lubrifier la roulette si le guide en est équipé.
5. S'assurer que guide et chaîne sont correctement alimentés en huile.
6. Aiguiser la chaîne et en contrôler la tension et l'état général. Examiner le pignon d'entraînement de la chaîne et le remplacer s'il est usé.
7. Nettoyer la prise d'air du démarreur. Contrôler le démarreur et le câble de démarrage.
8. S'assurer que tous les vis et écrous sont bien serrés.
9. Vérifier le bon fonctionnement de l'interrupteur.



## Remisage de longue durée

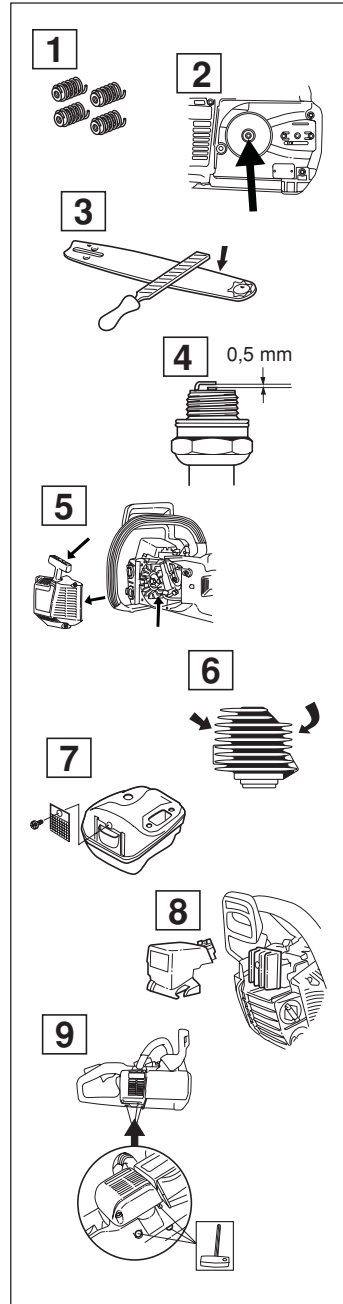
Vider les réservoirs de carburant/d'huile dans un local bien aéré. Conserver le carburant dans des bidons agréés et dans un endroit de toute sécurité. Monter le protège-guide. Nettoyer la machine. Voir l'entretien hebdomadaire.



# ENTRETIEN

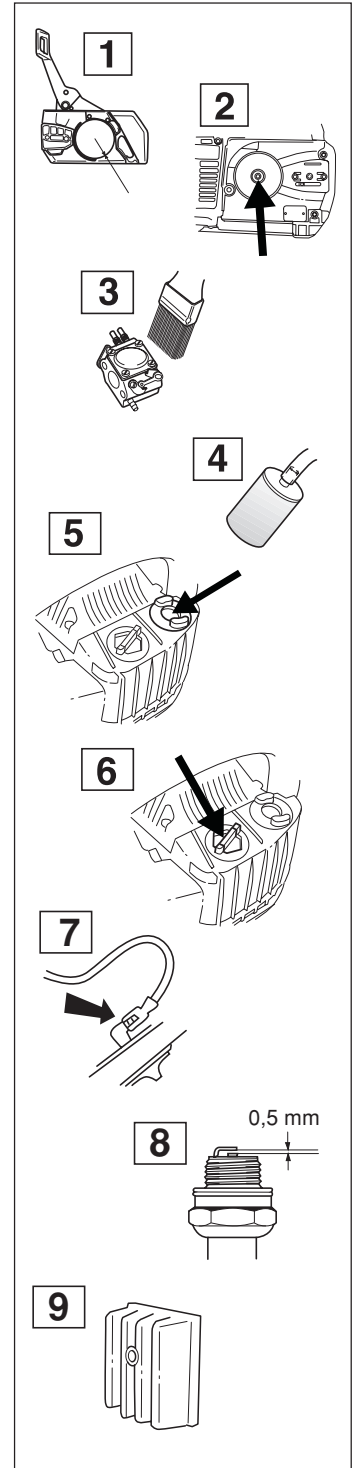
## Entretien hebdomadaire

1. S'assurer que les amortisseurs ne sont pas endommagés.
2. Graisser le roulement du tambour d'embrayage.
3. Limer les bavures éventuelles sur les côtés du guide-chaîne.
4. Nettoyer la bougie et vérifier l'écartement des électrodes (0,7 mm).
5. Nettoyer les ailettes du volant . Contrôler le démarreur et le ressort de rappel.
6. Nettoyer les ailettes de refroidissement du cylindre.
7. Nettoyer ou remplacer la grille pare-étincelles du silencieux.
8. Nettoyer le compartiment du carburateur.
9. Resserer toutes les vis du pot d'échappement.



## Entretien mensuel

1. Inspecter le degré d'usure de la bande de frein.
2. Inspecter le degré d'usure du moyeu, du tambour, et du ressort d'embrayage.
3. Nettoyer l'extérieur du carburateur.
4. Contrôler le filtre et le tuyau à carburant.
5. Nettoyer l'intérieur du réservoir d'essence.
6. Nettoyer l'intérieur du réservoir d'huile.
7. Inspecter tous les câbles et raccords.
8. Remplacer la bougie.
9. Remplacer le filtre à air.



# CARACTÉRISTIQUES TECHNIQUES

## 336

### Moteur

Cylindrée, po <sup>3</sup> /cm <sup>3</sup>	2,15/35,2
Alésage, po <sup>3</sup> /mm	1,5/38
Portée, po <sup>3</sup> /mm	1,22/31
Régime de ralenti, tr/min	2 800
Puissance, kW/tr/min	1,5/ 9 600

### Système d'allumage

Fabricant	SEM
Type du système d'allumage	CD
Bougie	NGK BPMR 7A Champion RCJ 7Y
Ecartement des électrodes, po <sup>3</sup> /mm	0,02/0,5

### Carburant, système de graissage

Fabricant	Zama
Type de carburateur	C1Q EL20
Contenance du réservoir de carburant, pint/litre	0,76/0,36
Débit de la pompe à huile à 8 500 tr/min, ml/min	3-7
Contenance du réservoir d'huile, pint/litre	0,43/0,2
Type de pompe à huile	Automatic

### Poids

Sans guide et chaîne, lb/kg	8,4/3,8
-----------------------------	---------

### Chaîne/guide-chaîne

Longueur de guide standard, pouces/cm	13"/33
Longueurs de guide recommandées, pouces/cm	12-16"/30-41
Longueur de coupe utile, pouces/cm	11-15"/28-38

Vitesse de chaîne à puissance maxi, m/sec	18,3
---	------

Pas, pouces/mm	0,325"/8,25
Épaisseur du maillon d'entraînement, pouces/mm	0,050"/1,3
Nombre de dents par pignon	7

## ÉQUIPEMENT DE COUPE RECOMMANDÉ POUR CANADA

Ce qui suit est une liste de combinaisons recommandées pour utilisation sur les Class 1A et 1B tronçonneuses. Les combinaisons de moteur, guide-chaîne et chaîne ont été élaborées en fonction des normes CSA Z62.1-95 pour tronçonneuses et Z62.3-96 en ce qui concerne l'effet de rebond des tronçonneuses.

Le rayon de la pointe du guide-chaîne est déterminé soit par le nombre maximal de dents de la roue dentée de la pointe, soit par le rayon de pointe maximal correspondant à un guide-chaîne massive.

Du fait que nous ayons listé les rayons maximums des guide-chaîne, vous pouvez utiliser un guide-chaîne avec un rayon de pointe inférieur à ceux de notre liste. Pour les guide-chaîne de mêmes longueurs, toutes les guide-chaîne à pointe à roue dentée et ayant le même nombre de dents peuvent être considérés comme ayant des valeurs énergétiques de rebond équivalentes. Un guide-chaîne à pointe dure de même longueur et avec un nombre de dents identique à un guide-chaîne muni d'une pointe à roue dentée peut être considéré comme ayant une valeur énergétique de rebond équivalente ou inférieure à celle du guide-chaîne muni d'une pointe à roue dentée.

Pour les remplacements, nous vous recommandons d'utiliser les guide-chaîne et chaînes listés, ou la chaîne de type C, "Low-Kickback".

Guide bar			Saw chain	
Length inch	Pitch inch	Max nose radius		
12	3/8	9T	Husqvarna S36x	or Oregon 91VS
14	3/8	9T		
16	3/8	9T		
13	0,325	10T	Husqvarna H30	or Oregon 95VP
15	0,325	10T		
16	0,325	10T		

Type	Pouces	Pouces/mm	Pouces/mm	Degré	Degré	Degré	Pouces/mm	Pouces/cm: dl
91VS	3/8"	0,050"/1,3	5/32" /4,0	85°	30°	0°	0,025"/0,65	12"/30:45 14"/34:52 16"/41:56
S36X	3/8"	0,050"/1,3	5/32" /4,0	85°	30°	0°	0,025"/0,65	12"/30:45 14"/34:52 16"/41:56

# DÉCLARATION DE GARANTIE POUR LA LUTTE CONTRE LES ÉMISSIONS

## VOS DROITS ET OBLIGATIONS EN GARANTIE

La US Environmental Protection Agency (EPA), Environment Canada, et Jonsered sont heureux de vous présenter la garantie du système de lutte contre les émissions pour votre produit motorisé manuel acheté en 2002 et pour ceux dont vous ferez l'acquisition ultérieurement. Aux États-Unis et Canada, les nouveaux produits manuels motorisés doivent être conçus, fabriqués et équipés pour répondre à des normes fédérales anti-smog rigoureuses.

Jonsered doit garantir le système de lutte contre les émissions de votre produit motorisé manuel pour les périodes de temps apparaissant ci-dessous pourvu qu'il n'y ait eu aucun abus, négligence ou entretien inadéquat de votre produit. Votre système de lutte contre les émissions comprend des pièces comme le carburateur et le système d'allumage.

Jonsered se charge de réparer votre produit motorisé manuel sans aucun frais de votre part pendant la période de garantie. Les dépenses couvertes pendant la période de garantie comprennent le diagnostic ainsi que les pièces et la main-d'œuvre.

### GARANTIE DU FABRICANT

Les produits motorisés manuels achetés en 2002, et ceux dont vous ferez l'acquisition ultérieurement, sont garantis deux ans. Si une pièce du système de lutte contre les émissions de votre produit s'avère défectueuse (voir pièces énumérées ci-dessus), Jonsered prendra en charge la réparation ou le remplacement de la pièce.

### CHARGES DE LA GARANTIE DE L'UTILISATEUR

En tant qu'utilisateur d'un produit motorisé manuel, vous devez effectuer l'entretien nécessaire apparaissant dans votre Manuel de l'utilisateur. Jonsered vous recommande de conserver tous les reçus couvrant l'entretien de votre produit motorisé manuel mais ne peut refuser la garantie uniquement pour cause d'absence de ces reçus ou d'un manquement de la part de l'utilisateur à effectuer l'entretien prévu. En tant qu'utilisateur d'un produit motorisé manuel, vous devez toutefois savoir que cette garantie peut ne pas couvrir les défauts de votre produit causés par l'abus, la négligence, l'entretien inadéquat, les modifications intempêtes ou l'emploi de pièces qui ne sont ni fabriquées ni homologuées par le fabricant de l'équipement d'origine. Vous êtes chargé de présenter votre produit motorisé manuel à un revendeur autorisé Jonsered dès qu'un problème se présente. Les réparations en garantie devraient être effectuées dans une période de temps raisonnable qui ne doit pas dépasser 30 jours. Si vous avez des questions concernant vos droits et charges en garantie, contactez votre revendeur autorisé le plus proche ou téléphonez à Jonsered, en Suède, au numéro suivant: + 46 36 14 65 00.

### DATE D'ENTRÉE EN VIGUEUR DE LA GARANTIE

La période de garantie commence à courir le jour de la livraison du produit motorisé manuel.

### DURÉE DE LA GARANTIE

Jonsered garantit à l'utilisateur original et aux acheteurs suivants que le moteur est exempt de défauts de matière et de fabrication pouvant causer la défaillance d'une pièce sous garantie pour un délai de deux ans.

## CE QUI EST COUVERT PAR LA GARANTIE RÉPARATION OU REMPLACEMENT DE PIÈCES

Un revendeur autorisé Jonsered se chargera de réparer et de remplacer les pièces de votre produit motorisé manuel pendant la période de garantie sans aucun frais de votre part. Si vous avez des questions concernant vos droits et charges en garantie, contactez votre revendeur autorisé le plus proche ou téléphonez à Jonsered, en Suède, au numéro suivant: + 46 36 14 65 00.

### PÉRIODE DE GARANTIE

Les pièces dont le remplacement n'est pas prévu dans le cadre de l'entretien nécessaire et qui sont couvertes par la garantie, ou encore qui doivent être soumises à un contrôle régulier au sens de «réparer ou remplacer au besoin», doivent être garanties deux ans. Les pièces pour lesquelles un remplacement est prévu dans le cadre de l'entretien nécessaire doivent être garanties pour la période de temps allant jusqu'au premier remplacement prévu pour ces pièces.

### DIAGNOSTIC

Les frais reliés à l'identification de défauts sur les pièces couvertes par la garantie ne seront pas à la charge de l'utilisateur pourvu que le travail de diagnostic soit effectué par un revendeur autorisé Jonsered.

### DOMMAGES INDIRECTS

Jonsered peut être tenu pour responsable des dommages causés à d'autres composants du moteur et qui résulteraient de la défaillance d'une pièce couverte par la garantie.

## CE QUI N'EST PAS COUVERT PAR LA GARANTIE

Aucune défaillance résultant de l'abus, de la négligence et de l'entretien contraire aux instructions n'est couverte par la garantie.

### AJOUT OU MODIFICATION DE PIÈCES

L'utilisation de pièces ajoutées ou modifiées peut entraîner le rejet d'un recours en garantie. Jonsered n'est pas tenu pour responsable de la défaillance des pièces couvertes par la garantie résultant de l'ajout ou de la modification de pièces.

### DEMANDE D'INDEMNITÉ

Si vous avez des questions concernant vos droits et charges en garantie, contactez votre revendeur autorisé le plus proche ou téléphonez à Jonsered, en Suède, au numéro suivant: + 46 36 14 65 00.

### SERVICE APRÈS-VENTE

Les revendeurs autorisés Jonsered offrent le service après-vente ainsi que les réparations.

## ENTRETIEN, REMPLACEMENT ET RÉPARATION DES PIÈCES DU SYSTÈME DE LUTTE CONTRE LES ÉMISSIONS

Les pièces de rechange approuvées par Jonsered et utilisées pour l'entretien ou la réparation en garantie de pièces du système de lutte contre les émissions seront fournies sans aucun frais de la part de l'utilisateur lorsque la pièce est couverte par la garantie.

## LISTE DES PIÈCES EN GARANTIE DU SYSTÈME DE LUTTE CONTRE LES ÉMISSIONS

1. Carburateur et pièces internes
2. Conduit d'entrée, porte-filtre du filtre à air et boulons du carburateur
3. Filtre à air et filtre à carburant garantis selon l'entretien prévu
4. Système d'allumage
  - a) Bougie garantie selon l'entretien prévu
  - b) Module d'allumage

## DÉCLARATION D'ENTRETIEN

L'utilisateur est chargé d'effectuer l'entretien prévu tel qu'il est défini dans le Manuel de l'utilisation.





114 01 09-32



2003W07