

**Operator  
And  
Parts Manual  
For  
48 Inch Consumer Z  
Grass Catcher**

**Model:  
968999211 / CZ48**

# SAFETY RULES



## SAFE OPERATION PRACTICES FOR RIDE-ON MOWERS



### DANGER !

THIS CUTTING MACHINE IS CAPABLE OF AMPUTATING HANDS AND FEET AND THROWING OBJECTS. FAILURE TO OBSERVE THE FOLLOWING SAFETY INSTRUCTIONS COULD RESULT IN SERIOUS INJURY OR DEATH.

## I. GENERAL OPERATION

- Read, understand and follow all instructions in the manual and on the machine before starting.
- Only allow responsible adults, who are familiar with the instructions, to operate the machine.
- Clear the area of objects such as rocks, stones, toys, wire etc., which could be picked up and thrown by the blades.
- Be sure the area is clear of all people and pets before mowing. Stop the machine if anyone enters the area.
- Never carry passengers or children even with blades off.
- Do not mow in reverse unless absolutely necessary. Always look down and behind before and while backing.
- Be aware of the mower discharge direction and do not direct it towards anyone. Do not operate the mower without either the entire grass catcher or the guard in place.
- Slow down before turning.
- Never leave the machine unattended when the engine is running. Always turn off the blades, set the parking brake, stop the engine and remove the key before leaving the machine.
- Turn off blades when not mowing.
- Stop engine before removing grass catcher or unclogging chute.
- Mow only in daylight or good artificial light.
- Do not operate the machine while under the influence of alcohol or drugs.
- Watch out for traffic when operating near or crossing roadways.
- Use extra care when loading and unloading the machine onto a trailer or truck.
- Data indicates that operators, age 60 years and above, are involved in a large percentage of riding mower-related injuries. These

operators should evaluate their ability to operate the riding mower safely enough to protect themselves and others from serious injury.

- **DO NOT** operate mower with grass catcher, unless the front weights are installed.
- Keep machine free of grass, leaves or other debris buildup which can touch hot exhaust/engine parts and burn. Do not allow the mower deck to plow leaves or other debris which can cause buildup to occur. Clean any oil or fuel spillage before operating or storing the machine. Allow machine to cool before storage.

## II. SLOPE OPERATION

Slopes are a major factor related to loss-of-control and tip-over accidents, which can result in severe injury or death. All slopes require extra caution. If you cannot back up the slope or if you feel uneasy on it, do not mow it.

### DO:

- Mow up and down slopes (10° Max.), not across.
- Remove obstacles such as rocks, tree limbs, etc.
- Watch for holes, ruts, or bumps. Uneven terrain could overturn the machine. **Tall grass can hide obstacles.**
- Use slow speed. Choose a low speed so that you will not have to stop while on the slope.
- Use extra care with grass catchers or other attachments. These can change the stability of the machine.
- Keep all movement on the slopes **slow** and **gradual**. Do not make sudden changes in speed or direction.
- Avoid starting or stopping on a slope. If tires lose traction, disengage the blades and proceed slowly **straight** down the slope.

# SAFETY RULES



## SAFE OPERATION PRACTICES FOR RIDE-ON MOWERS



### DO NOT:

- **Do not** turn on slopes unless necessary, and then, turn slowly and gradually downhill, if possible.
- **Do not** mow near drop-off, ditches, or embankments. The mower could suddenly turn over if a wheel is over the edge of a cliff or ditch, or if an edge caves in.
- **Do not** mow on wet grass. Reduced traction could cause sliding.
- **Do not** try to stabilize the machine by putting your foot on the ground.
- **Do not** use grass catcher on steep slopes.

### III. CHILDREN

Tragic accidents can occur if the operator is not alert to the presence of children. Children are often attracted to the machine and the mowing activity. **Never** assume that children will remain where you last saw them.

- **NEVER allow children to operate the machine.**
- Keep children out of the mowing area and under the watchful care of another responsible adult.
- Be alert and turn off the machine if children enter the area.
- Before and when backing, look behind and **down** for small children.
- Never carry children. They may fall off and be seriously injured or interfere with safe machine operation.
- Use extra care when approaching blind corners, shrubs, trees, or other objects that may obscure vision.

### IV. SERVICE

- The operation of any mower can result in foreign objects thrown into the eyes, which can result in severe eye damage. Always wear safety glasses or eye shields while operating your mower or performing any adjustments or repairs. We recommend a wide vision safety mask over spectacles or standard safety glasses.
- Use extra care in handling gasoline and other fuels. They are flammable and vapors are explosive.
  - Use only an approved container.
  - Never remove gas cap or add fuel with the engine running. Allow engine to cool before refueling. Do not smoke.
  - Never refuel the machine indoors.
  - Never store the machine or fuel container inside where there is an open flame, such as a water heater.
- Never run a machine inside a closed area.
- Keep nuts and bolts, especially blade attachment bolts, tight and keep equipment in good condition.
- Never tamper with safety devices. Check their proper operation regularly.
- Keep machine free of grass, leaves, or other debris buildup. Clean oil or fuel spillage. Allow machine to cool before storing.
- Stop and inspect the equipment if you strike an object. Repair, if necessary, before restarting.
- Never make adjustments or repairs with the engine running.
- Grass catcher components are subject to wear, damage, and deterioration, which could expose moving parts or allow objects to be thrown. Frequently check components and replace with manufacturer's recommended parts, when necessary.
- Mower blades are sharp and can cut. Wrap the blade(s) or wear gloves, and use extra caution when servicing them.
- Check brake operation frequently. Adjust and service as shown in the Operator's manual.

# SAFETY RULES



## SAFE OPERATION PRACTICES FOR RIDE-ON MOWERS



### CAUTION

Look for this symbol to point out important safety precautions. It means **CAUTION!!! BECOME ALERT!!! YOUR SAFETY IS INVOLVED.**



### WARNING

**DO NOT** tow any trailers, etc. with this mower. They may jackknife or over turn causing damage to the mower and possibly serious injury to the operator.



### CAUTION

In order to prevent accidental starting when setting up, transporting, adjusting or making repairs, always disconnect spark plug wire and place wire where it cannot contact spark plug.



### WARNING

Engine exhaust, some of its constituents, and certain vehicle components contain or emit chemicals known to the State of California to cause cancer and birth defects or other reproductive harm.



### WARNING

Battery posts, terminals and related accessories contain lead and lead compounds, chemicals known to the State of California to cause cancer and birth defects or other reproductive harm. Wash hands after handling.

**CONGRATULATIONS** on your purchase of a new Grass Catcher. It has been designed, engineered and manufactured to give you the best possible dependability and performance.

Should you experience any problem you cannot easily remedy, please contact your nearest authorized service center/ department. They have competent, well-trained technicians and the proper tools to service or repair this mower.

Please read and retain this manual. The instructions will enable you to assemble and maintain your Grass Catcher properly. Always observe the "SAFETY RULES".

**NOTE:** To make debris disposal easier 30 gallon (3.0 mil) plastic trash bags may be inserted in plastic grass containers.

## KNOW YOUR GRASS CATCHER

READ THIS OPERATION MANUAL AND SAFETY RULES BEFORE ASSEMBLING OR OPERATING YOUR GRASS CATCHER. Compare the illustrations with the carton contents to familiarize yourself with the parts before starting the assembly. Study the operating instructions and safety precautions thoroughly to insure proper functioning of your Grass Catcher and to prevent injury to yourself and others. Save this manual for future reference.



### WARNING

The operation of any mower can result in foreign objects thrown into the eyes, which can result in severe eye damage. **ALWAYS wear safety glasses or eye shields before starting your mower and while mowing. We recommend a wide vision safety mask for over the spectacles or standard safety glasses.**

---

## TABLE OF CONTENTS

---

SAFETY RULES .....	2-4	CUSTOMER RESPONSIBILITIES .....	12
CARTON CONTENTS .....	6	STORAGE .....	12
ASSEMBLY .....	7 - 10	PARTS .....	14 - 15
OPERATION .....	11		

## UNPACKING INSTRUCTIONS

- Remove all parts and packing materials from carton.
- Check carton contents against list. Be sure all parts are there.

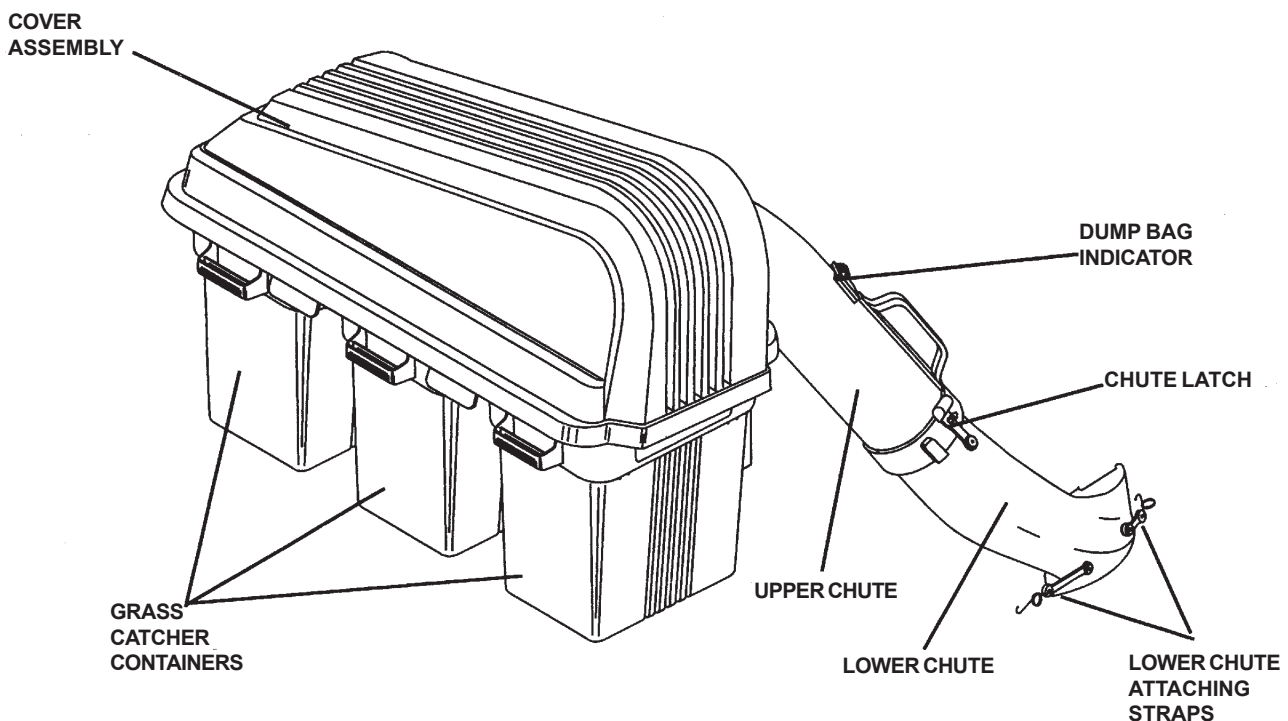
## TOOLS REQUIRED FOR ASSEMBLY

- (2) 1/2" Wrenches
- (1) 9/16" Wrench
- (1) 9/16" Socket wrench

## PARTS IDENTIFICATION

## CARTON CONTENTS:

- |                       |                             |
|-----------------------|-----------------------------|
| 3 - Container Tops    | 2 - Straps                  |
| 3 - Container Bottoms | 4 - Bolts 3/8-16 x 4 1/2"   |
| 1 - Upper Chute       | 4 - Nuts 3/8-16, centerlock |
| 1 - Lower Chute       | 2 - Bolts 5/16-18 x 1 1/4"  |
| 1 - Catcher Mount     | 4 - Washers 5/16, flat      |
| 1 - Cover Assembly    | 2 - Washers, support        |
| 2 - Front Weights     | 2 - Nuts 5/16-18, nyloc     |



**NOTE:** When right hand (R.H.) and left hand (L.H.) are mentioned in this manual, it means when you are seated on the mower in the operator's position.



### CAUTION

#### BEFORE ASSEMBLING GRASS CATCHER TO MOWER:

- Set parking brake.
- Place motion control levers in "NEUTRAL " position.
- Turn ignition key "OFF" and remove key.
- Make sure the blades and all moving parts have completely stopped.
- Disconnect spark plug and place wire where it cannot come in contact with plug.

# ASSEMBLY

## 1 BAGGER SUPPORT ASSEMBLY (See Figures 1A and 1B)

1. Remove rear engine guard by removing the six bolts that attach the guard to the frame.
2. Attach hitch (Part No. 539108014) to the frame using the same holes and same six bolts that attached the rear engine guard.

**\*NOTE:** If your unit does not have the holes or slots on the fenders, you will need to mark and drill them before continuing.

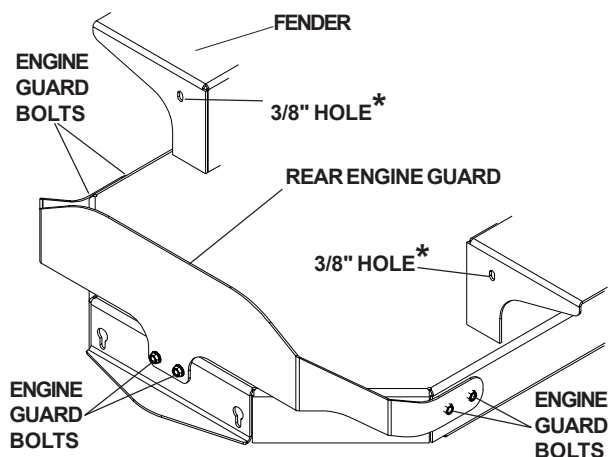


FIGURE 1A

3. Using the hardware shown, attach the upper arms of the hitch to the rear fenders of the frame.

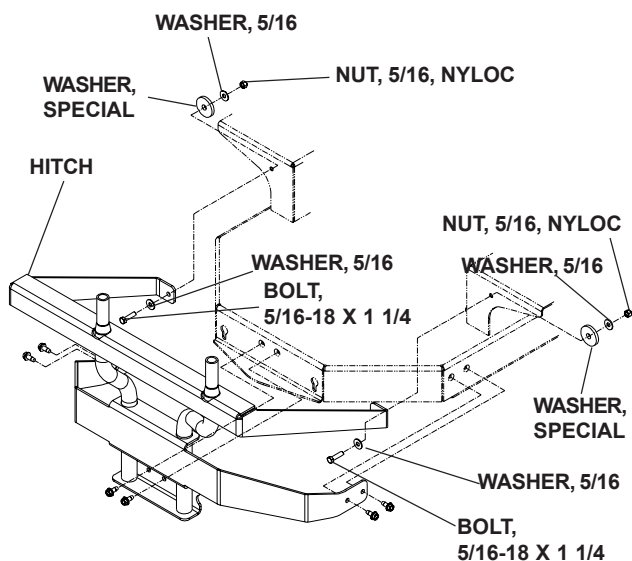


FIGURE 1B

## 2 MOUNTING COVER ASSEMBLY TO SUPPORT ASSEMBLY (See Figure 2)

**NOTE:** For ease of assembly, you may wish to obtain the assistance of another person for mounting cover assembly to mower.

1. Position cover assembly on ground behind mower as shown.
2. Lift and rotate cover to align cover brackets with support assembly tubes.
3. Slide cover assembly down onto the support tubes.

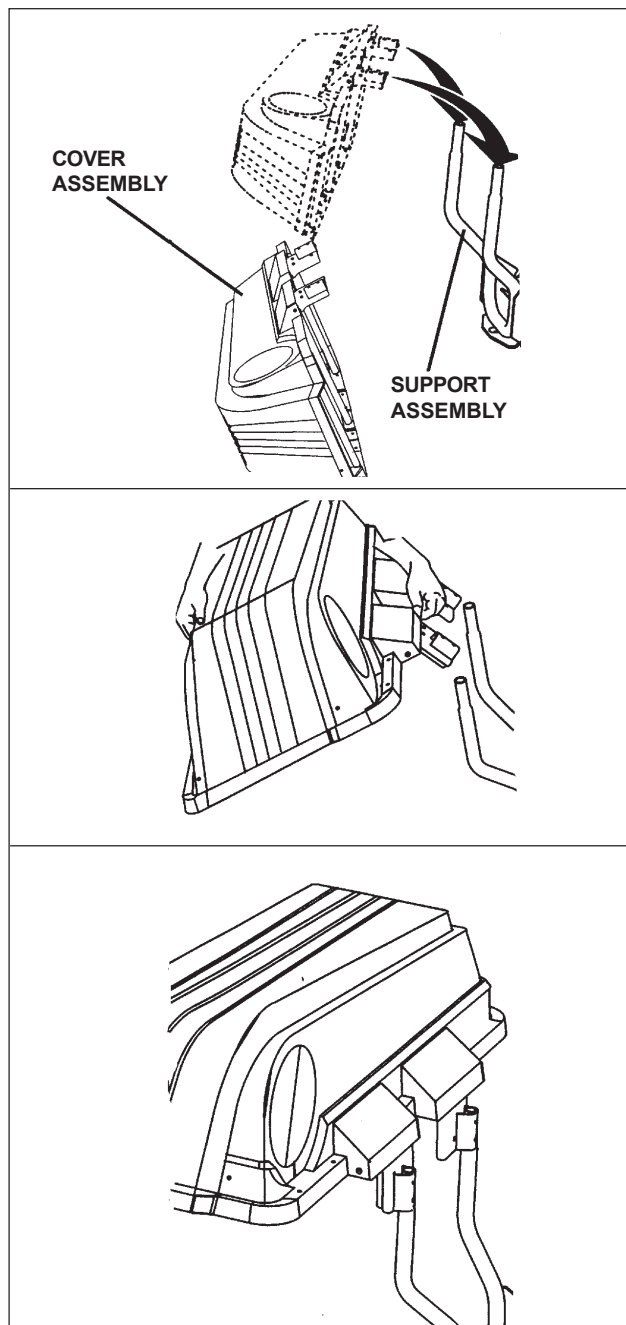


FIGURE 2

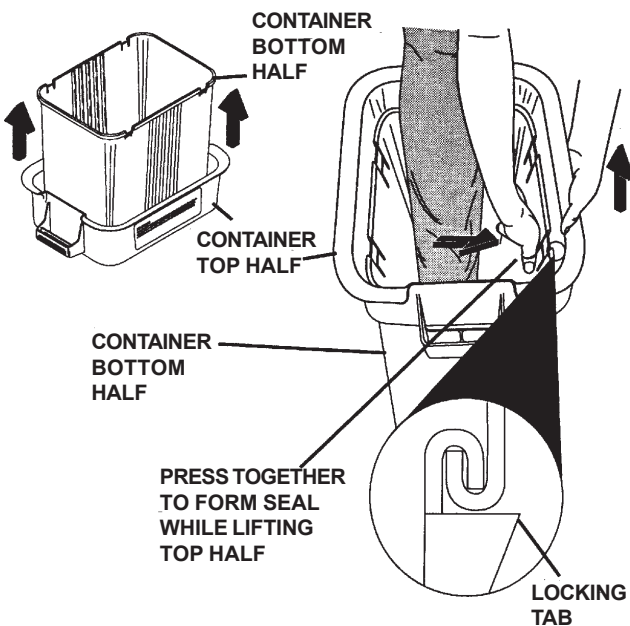


# ASSEMBLY

## 3 CONTAINER ASSEMBLY (See Figure 3)

1. Place bottom half inside of top half, as shown.
2. Place one foot inside bottom half and lift top half to meet bottom half.
3. Press halves tightly together while lifting top to lock into place as shown.

**IMPORTANT:** BEFORE LOCKING THE TABS, HOOKED EDGES ON BOTH HALVES MUST OVERLAP TO FORM SEAL AS SHOWN IN IN-SET.



**ASSEMBLY CHECK:** Squeeze sides of lower half of container and check that there is no gap between upper and lower halves. If a gap appears, unlock tabs to separate container halves and repeat instructions above.

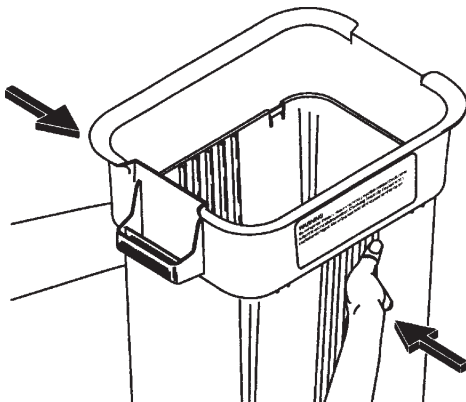


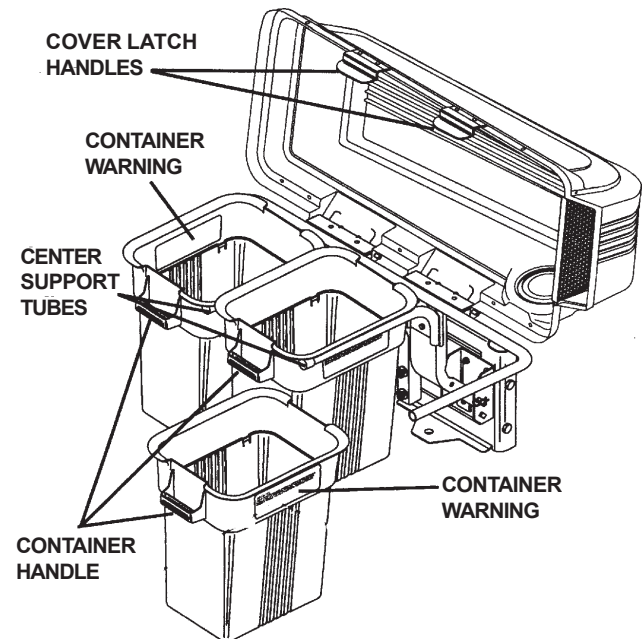
FIGURE 3

## 4 CONTAINER MOUNTING (See Figure 4)

1. Install one container to left side first with warning to the outside of unit. Install another container to center position and one in right position.

**NOTE:** Right container should always overlap left container at center supports.

2. Close cover and lock latch handles over center support tubes.



**DO NOT** operate mower unless container is properly installed. Container is subject to wear and deterioration, check containers frequently, replace when cracked or damaged. Use only a recommended replacement container.

FIGURE 4



# ASSEMBLY

## 5 LOWER CHUTE (See Figure 5)

1. Turn mower engine off.
2. Raise and hold deflector shield in upright position.
2. Place slot in lower chute over tab on mower deck and position lower chute over deck opening as shown.
3. Hook rear latch into flange hole on back of mower deck.
4. Hook front latch into tab hole on front of mower deck.



### CAUTION

Before raising deflector shield, turn mower engine off. **DO NOT** remove deflector shield from mower. Raise and hold shield when attaching lower chute and allow it to rest on chute while in operation.

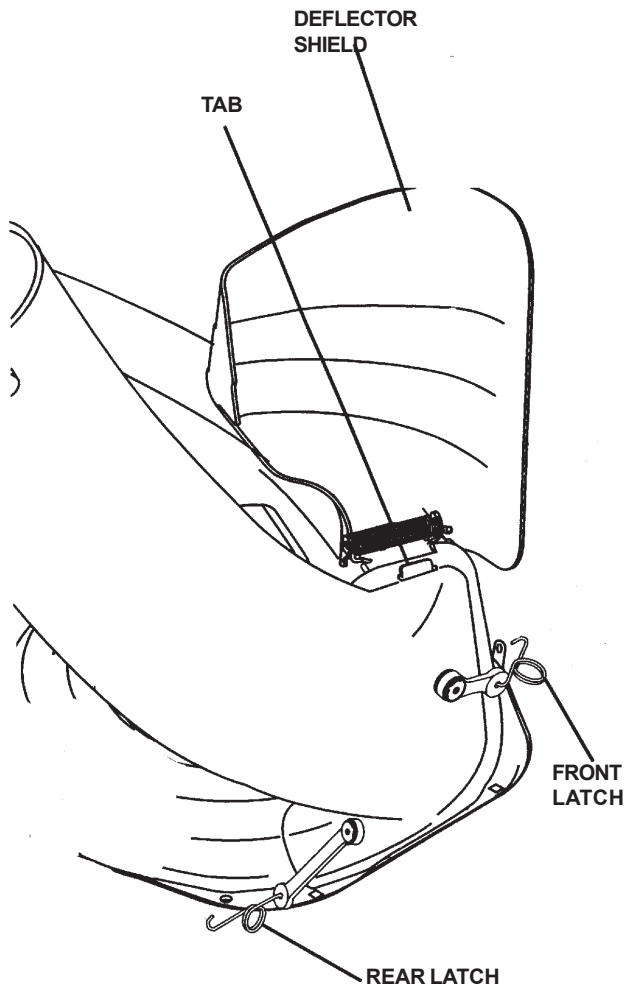


FIGURE 5

## 6 UPPER CHUTE (See Figures 6A & 6B)

1. Lower mower deck to its lowest cutting position.
2. Assemble upper chute by inserting curved end into hole in back of cover.

**NOTE:** Handle carefully so as not to damage dump bag indicator.

3. Push in and turn upper chute until it is in line with lower chute.
4. Align the bosses on lower chute with alignment slots on upper chute with alignment slots on upper chute and slide together.
5. Secure with rubber latch by hooking hole in latch over latch pin.

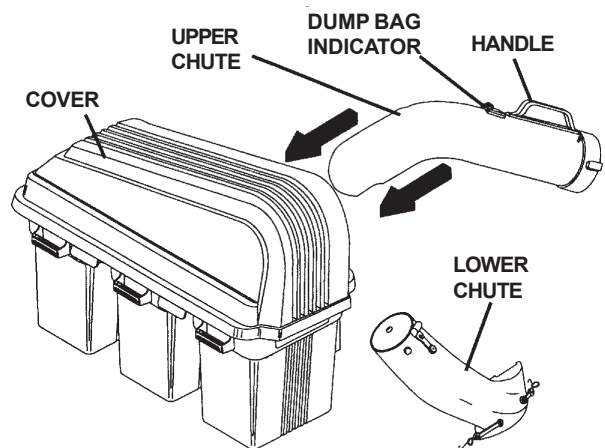


FIGURE 6A

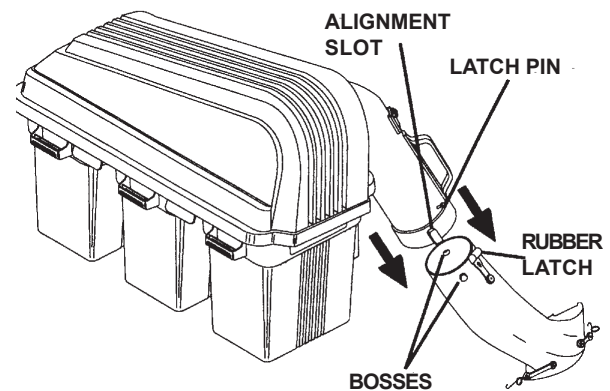


FIGURE 6B

## 7 LEVEL MOWER DECK

Be sure deck is properly leveled for best mower performance. See your mower operator's manual for instructions.

# ASSEMBLY

## 8 FRONT WEIGHTS (See Figure 8)

1. Turn casters so they are facing the front as shown.
2. Bolt the weights to the front tube of the frame as shown.



### CAUTION

**DO NOT** operate mower with grass catcher, unless the front weights are installed.

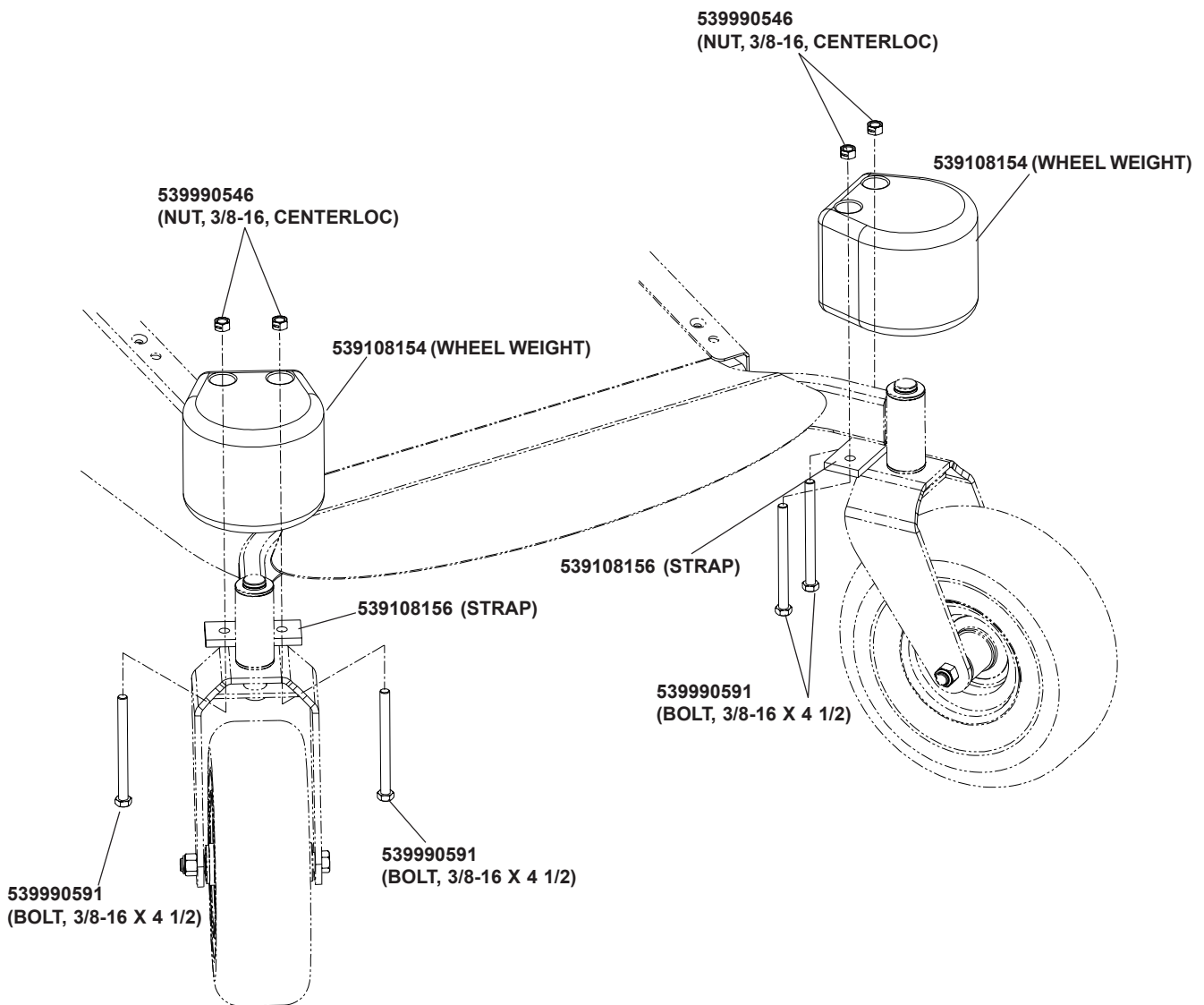


FIGURE 8

---

# OPERATION

---

## TIPS FOR IMPROVED BAGGING OPERATION:

Follow the mower operation instructions in your mower operator's manual.

When operating your grass catcher on a lawn where grass and leaf bagging equipment has not been used, you are picking up thatch and debris that has accumulated for long periods of time. The amount collected and the total time of operation may be greater than you will experience with regular use of your grass catcher.

- Always run throttle at full speed when bagging.
- Select a speed low enough to give good mower cutting performance, good quality cut and good bagging performance.

**NOTE:** It may be necessary to overlap width of cut to suit your conditions.

- If grass is extremely tall, it should be mowed twice. The first time relatively high, the second time to desired height.
- Use left hand side of mower for trimming.
- Plastic trash bags (3.0 mil, 30 gallon) can be inserted inside grass catcher containers for ease of debris disposal. To remove the plastic trash bags when full:
  - a. Unlatch and raise cover.
  - b. Remove one container at a time by grasping container handles and pulling toward the rear, off of the tube rails.
  - c. With the container resting on the ground, close and secure the top of the plastic lawn bag.
  - d. Tip the container on its side and slide the filled bag from the container.
  - e. Install a new plastic lawn bag with the edges of the bag draped over upper lip of the Container (for replacement bags refer to REPLACEMENT PARTS).
  - f. Repeat for other containers.
  - g. Reinstall containers making sure right container overlaps left container at center supports.
  - h. Close cover and secure latches over center support tubes.
- Avoid cutting wet grass or in the morning while the dew is still heavy. Grass clippings collected under these conditions tend to be sticky and adhere to the walls of the flow path causing clogging.
- Your bagger is equipped with a dump bag indicator. As the bags become full, the flow indicating ball will drop down in its slot, indicating that the bags are full or the chutes have become clogged. Care should be taken not to damage the parts and that the ball moves freely at the beginning of each use.
- If the grass catcher fails to pick up cut grass or leaves, it is an indication that clogging has occurred in the system or that the grass catcher containers are full.
  - a. Disengage blades, place motion control levers in neutral position.
    - Unlatch and raise cover.
    - Slide out containers and dispose of clippings.
    - Replace containers, close cover, and latch.
  - b. Unlatch chutes and check for clogging.
    - Remove all debris in chute.
    - Reassemble and latch chutes.
  - c. Check to insure dump bag indicator has not become clogged.
    - The air passage hole must be clear of debris.  
Gently insert a small twig or wire into passageway to clear.



### CAUTION

- **DO NOT** operate mower with grass catcher partially installed.
- **Disengage blades and stop engine before leaving mower seat to empty containers, unclogging chutes, etc.**
- **Close cover before starting.**
- **Disengage mower blades when crossing driveways or gravel surfaces and other areas where thrown objects could be a hazard.**
- **DO NOT attempt to vacuum up cans or other potentially hazardous projectiles.**

---

# CUSTOMER RESPONSIBILITIES

---

## GENERAL RECOMMENDATIONS:

Always observe safety rules when performing any maintenance.

- Before each use check for loose fasteners.
- Clean unit thoroughly after each use.

## BLADE CARE:

For best results mower blades must be kept sharp. Replace bent or damaged blades.

- See BLADE CARE instructions in your mower operator's manual.

## STORAGE:

When grass catcher is to be stored for a period of time, clean it thoroughly, remove all dirt, grass, leaves, etc. Store in a clean, dry place.



### CAUTION

**Do not leave grass in bagger containers. Empty containers after each use and before storing. Failure to do so may result in spontaneous combustion which could develop into a fire.**



### CAUTION

**BEFORE PERFORMING ANY MAINTENANCE, SERVICE OR ADJUSTMENTS:**

- Set parking brake.
- Place motion control levers in "NEUTRAL" position.
- Place clutch control in "DISENGAGED" position.
- Turn ignition key to "OFF" position.
- Make sure blades and all moving parts have completely stopped.
- Disconnect spark plug wire(s) from spark plug(s) and place wire where it cannot come in contact with plug.

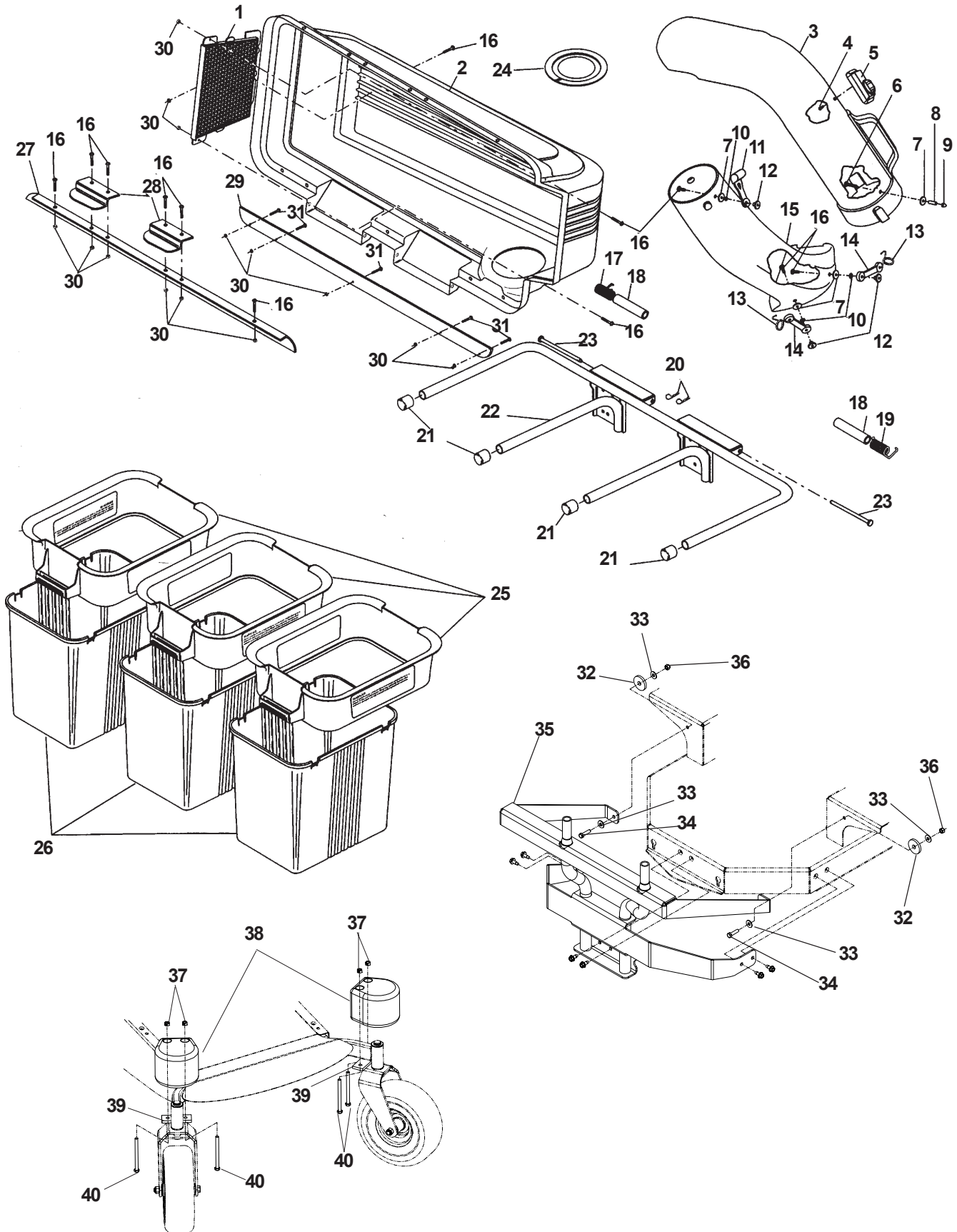


### CAUTION

**Grass catcher components are subject to wear, damage and deterioration, which could expose moving parts or allow objects to be thrown. Frequently check components and replace with manufacturer's recommended parts, when necessary.**

# **PARTS ILLUSTRATION**

# PARTS



# PARTS

ITEM	PART NO.	QTY.	DESCRIPTION
1	539108078	1	Screen, cover
2	539108079	1	Cover
3	539108141	1	Chute, upper
4	539108081	1	Screw, #10-14 x 1/2, special
5	539108082	1	Dump bag indicator
6	539108083	1	Screw, #10-24 x 1 1/8
7	539108084	4	Washer, 3/16 x 3/4 x 16 Ga.
8	539108085	1	Spacer, split
9	539108086	1	Nut, #10-24, acorn
10	539107360	3	Lockwasher
11	539108088	1	Latch, chute
12	539108089	3	Nut, weld
13	539108090	2	Latch, hook
14	539108091	2	Rubber, latch
15	539108092	1	Chute, lower
16	539976952	12	Screw, #10-24 x 5/8
17	539108093	1	Spring, cover L.H. (black)
18	539108094	2	Spacer, cover
19	539108095	1	Spring, cover R.H. (gray)
20	539108096	2	Spring, retainer
21	539108097	4	Plug, tubing end
22	539108098	1	Bagger, frame
23	539108099	2	Pin, hinge
24	539108100	1	Gasket, cover
25	539108101	3	Container, top
26	539108102	3	Container, bottom
27	539108103	1	Seal, cover
28	539108104	2	Handle, bagger cover
29	539108105	1	Strip, reinforcement
30	532069180	14	Nut, #10-24, crownlock (not included with unit)
31	532104419	5	Screw, #10-24 x 1/2 (not included with unit)
32	539106504	2	Washer, special
33	539990692	4	Washer, 5/16
34	539990627	2	Bolt, 5/16-18 x 1 1/4
35	539108014	1	Hitch
36	539990717	2	Nut, 5/16-18, nyloc
37	539990546	4	Nut, 3/8-16, centerloc
38	539108154	2	Wheel weight
39	539108156	2	Strap
40	539990591	4	Bolt, 3/8-16 x 4 1/2



 **Husqvarna**