

**326HDA55**<sub>X-SERIES</sub>

**326HE3**<sub>X-SERIES</sub>

**326HE4**<sub>X-SERIES</sub>

**Hedgetrimmer attachment HA110**

**Hedgetrimmer attachment HA850**

Spare parts

Ersatzteile

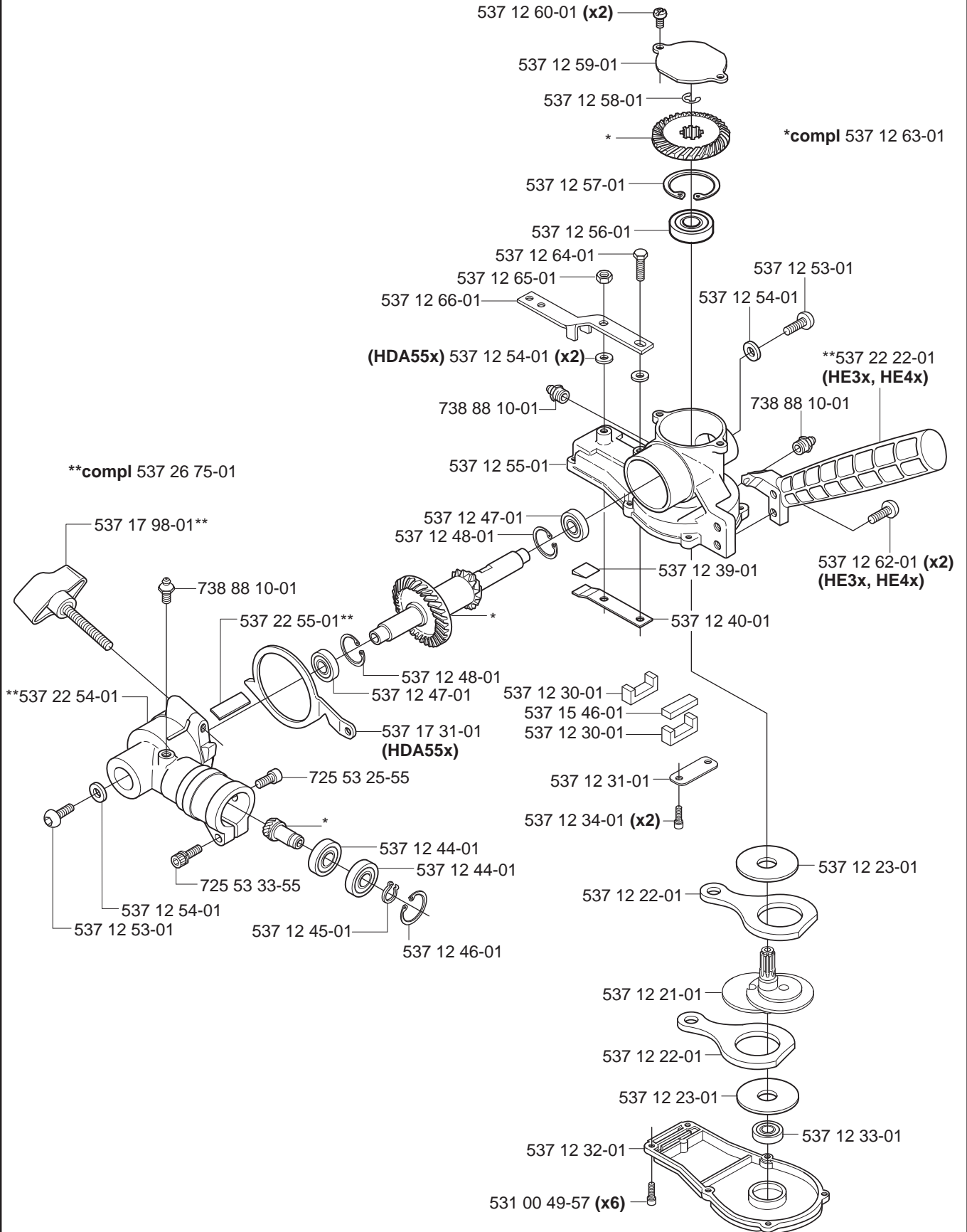
Pièces détachées

Reserve onderdelen

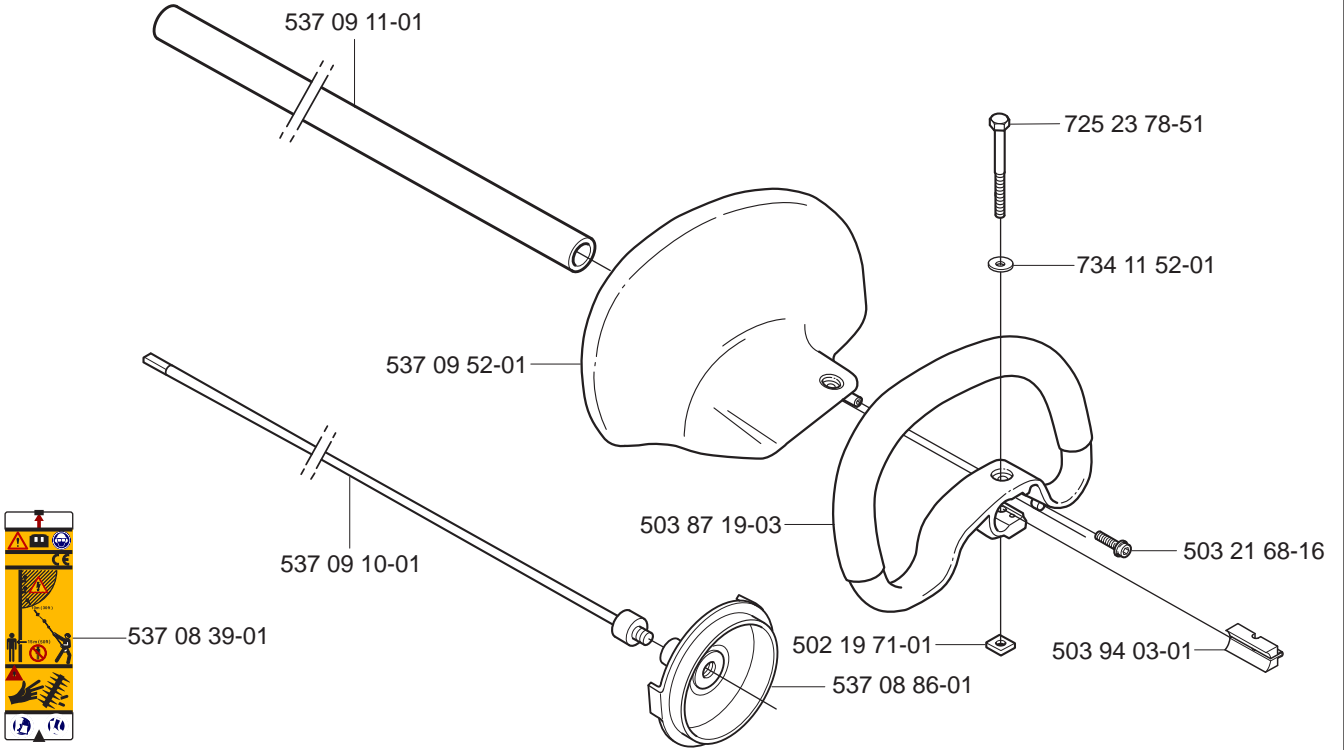
Repuestos

Reservdelar

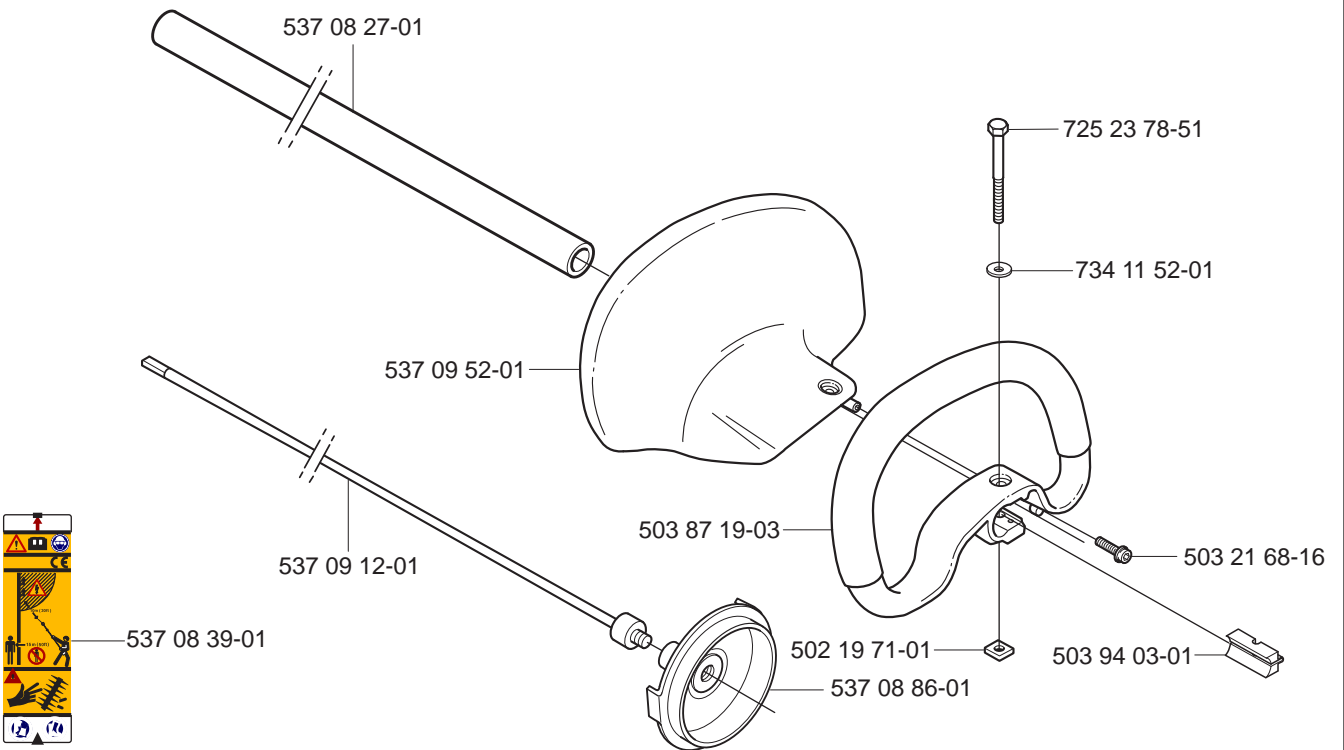
**A**



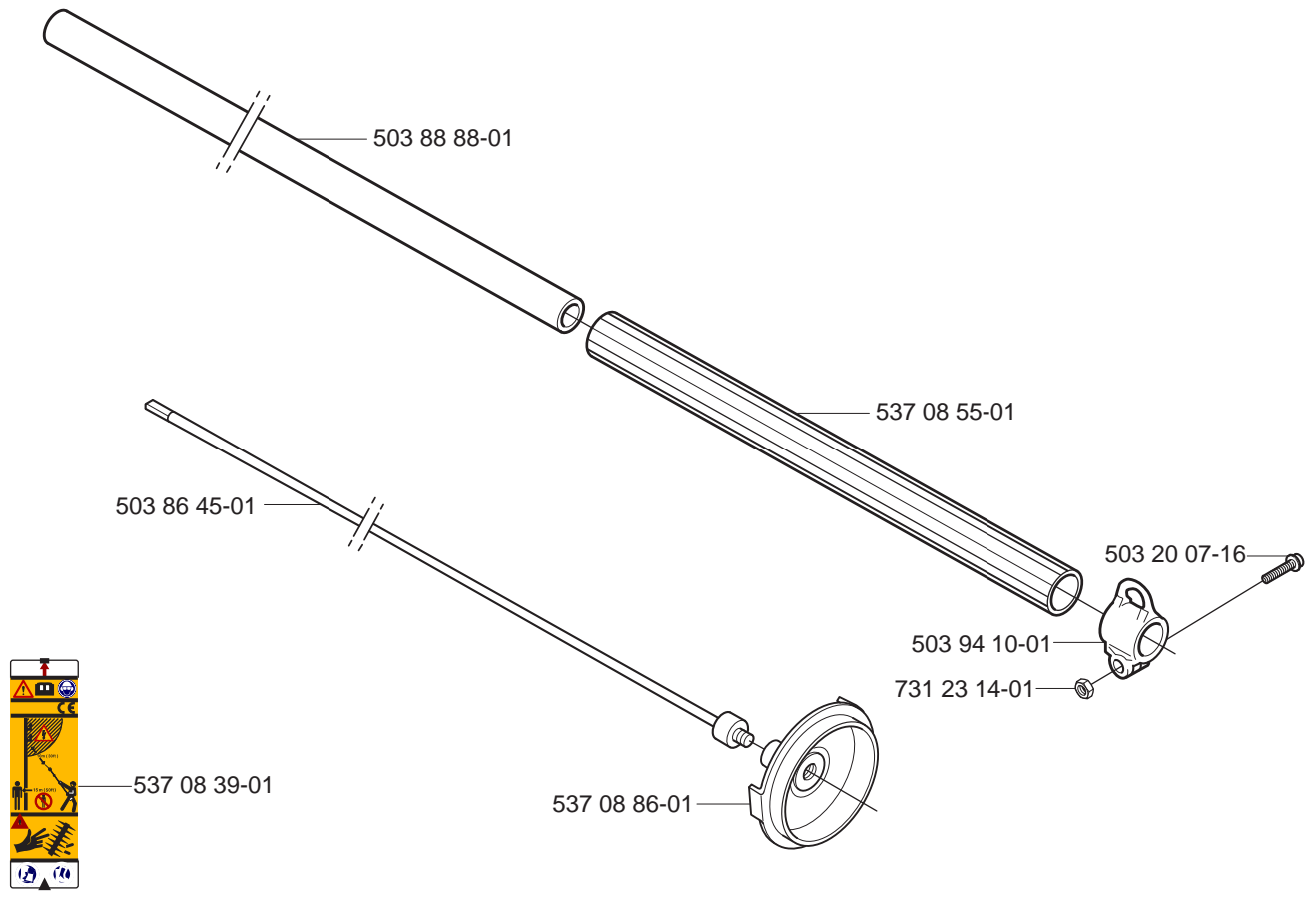
**B** HDA55x



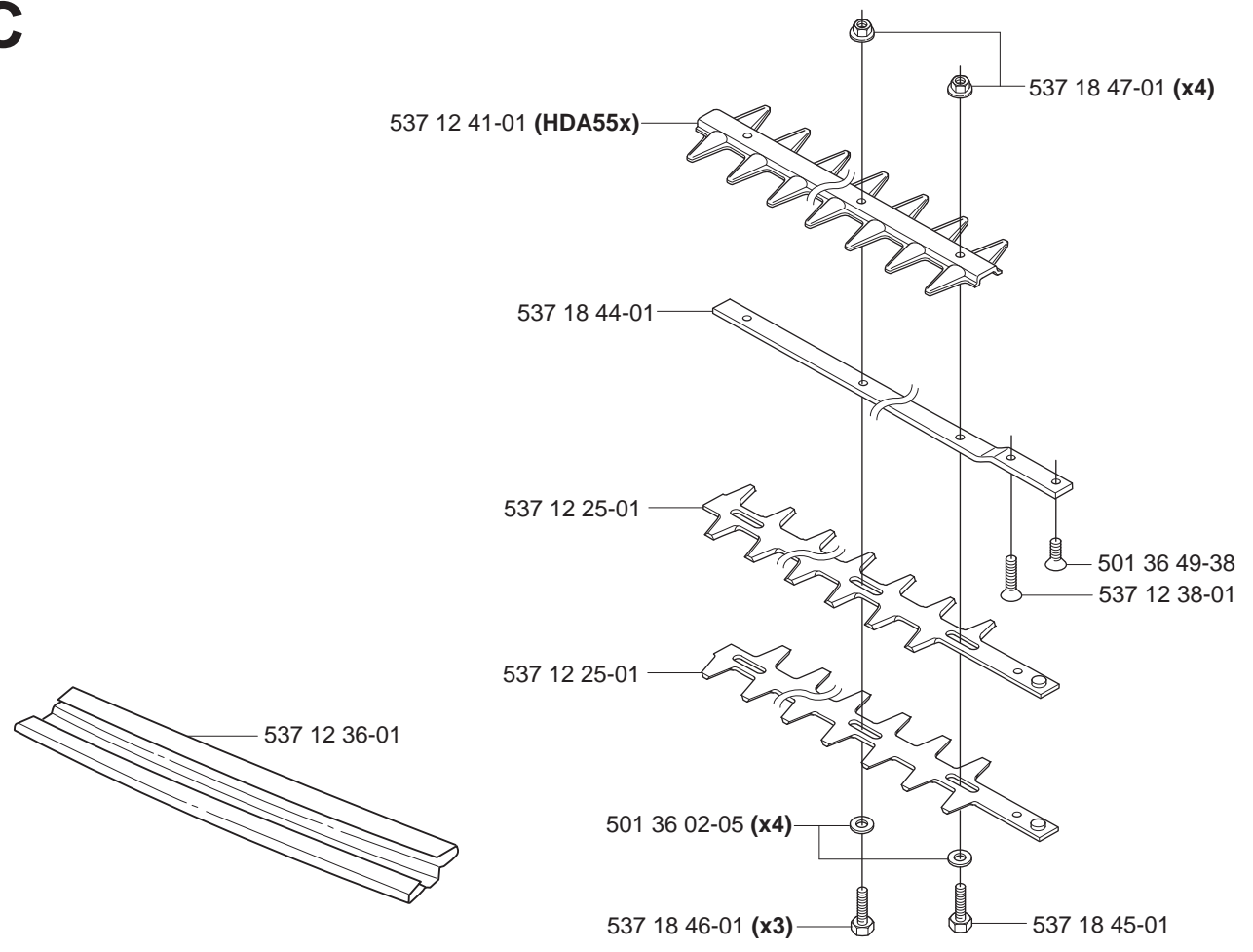
**B** HE3x



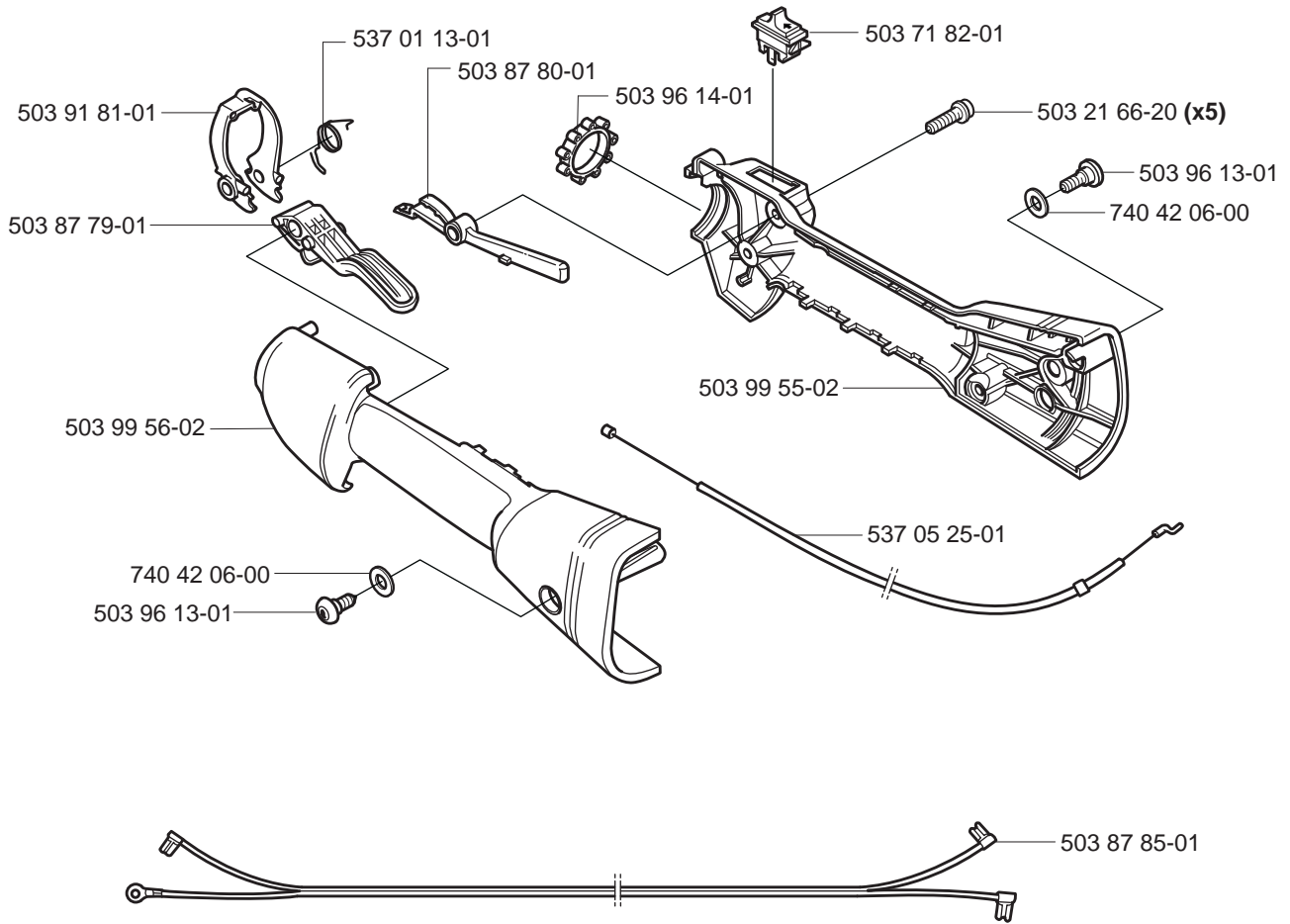
**B** HE4x



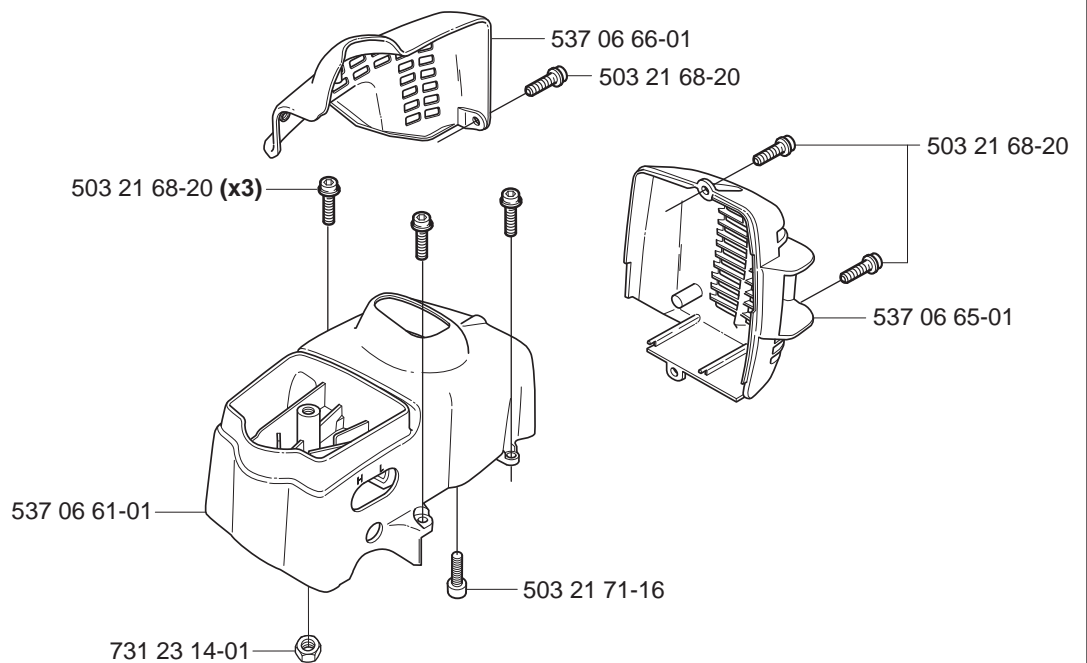
**C**



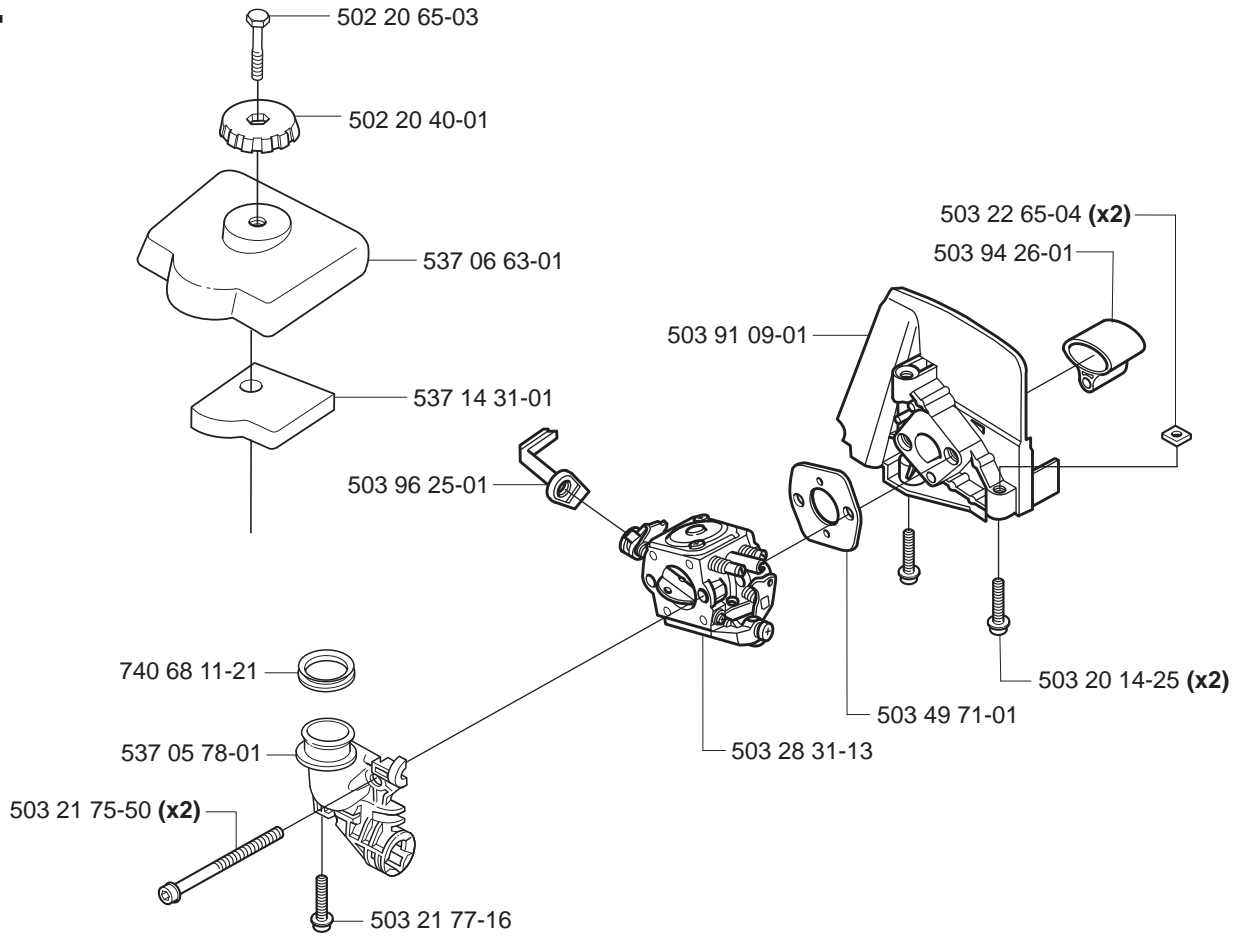
# D



# E



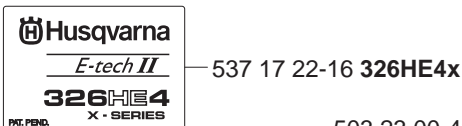
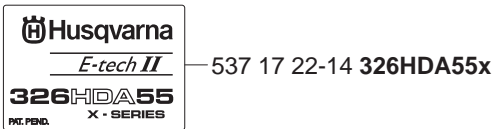
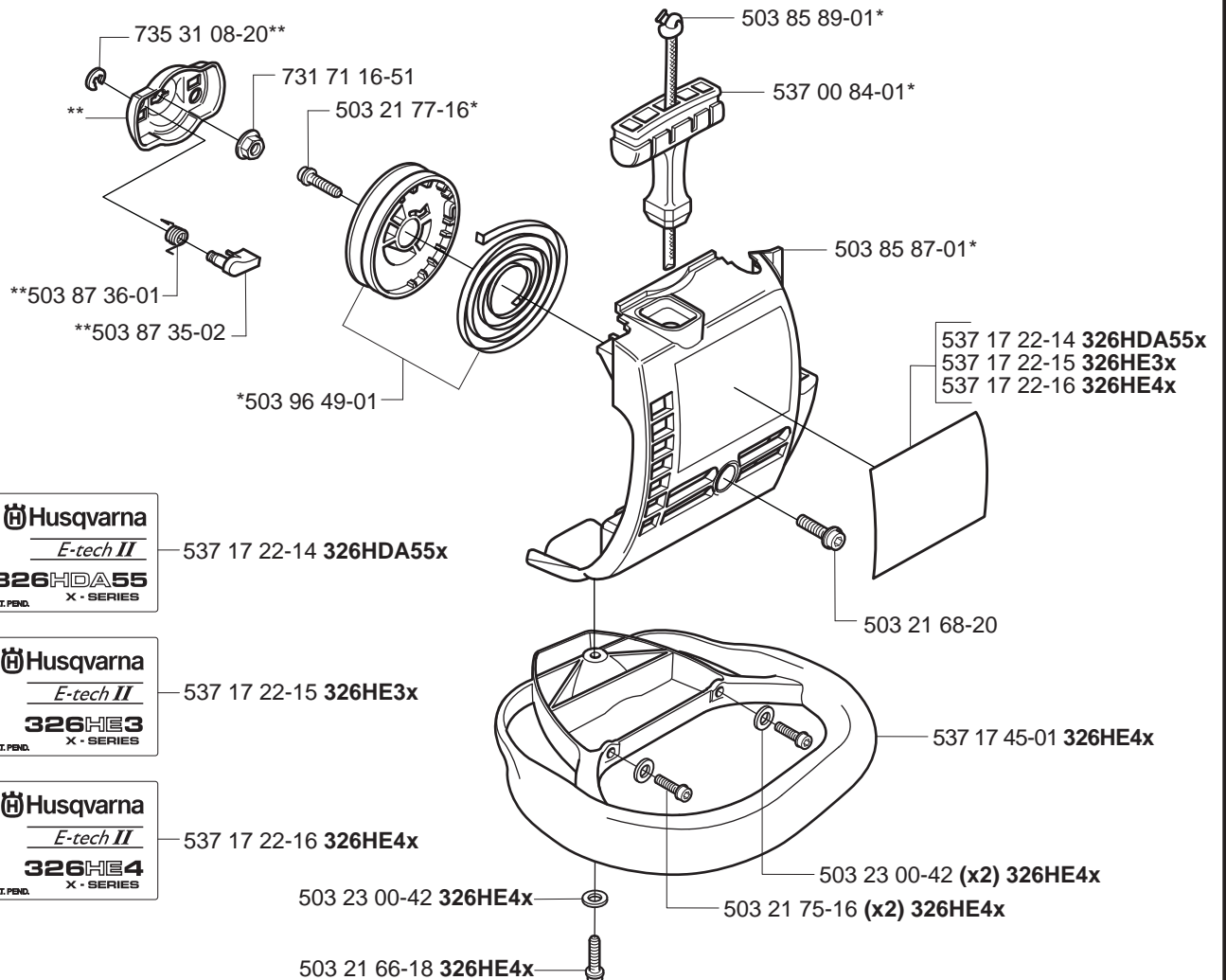
**F**



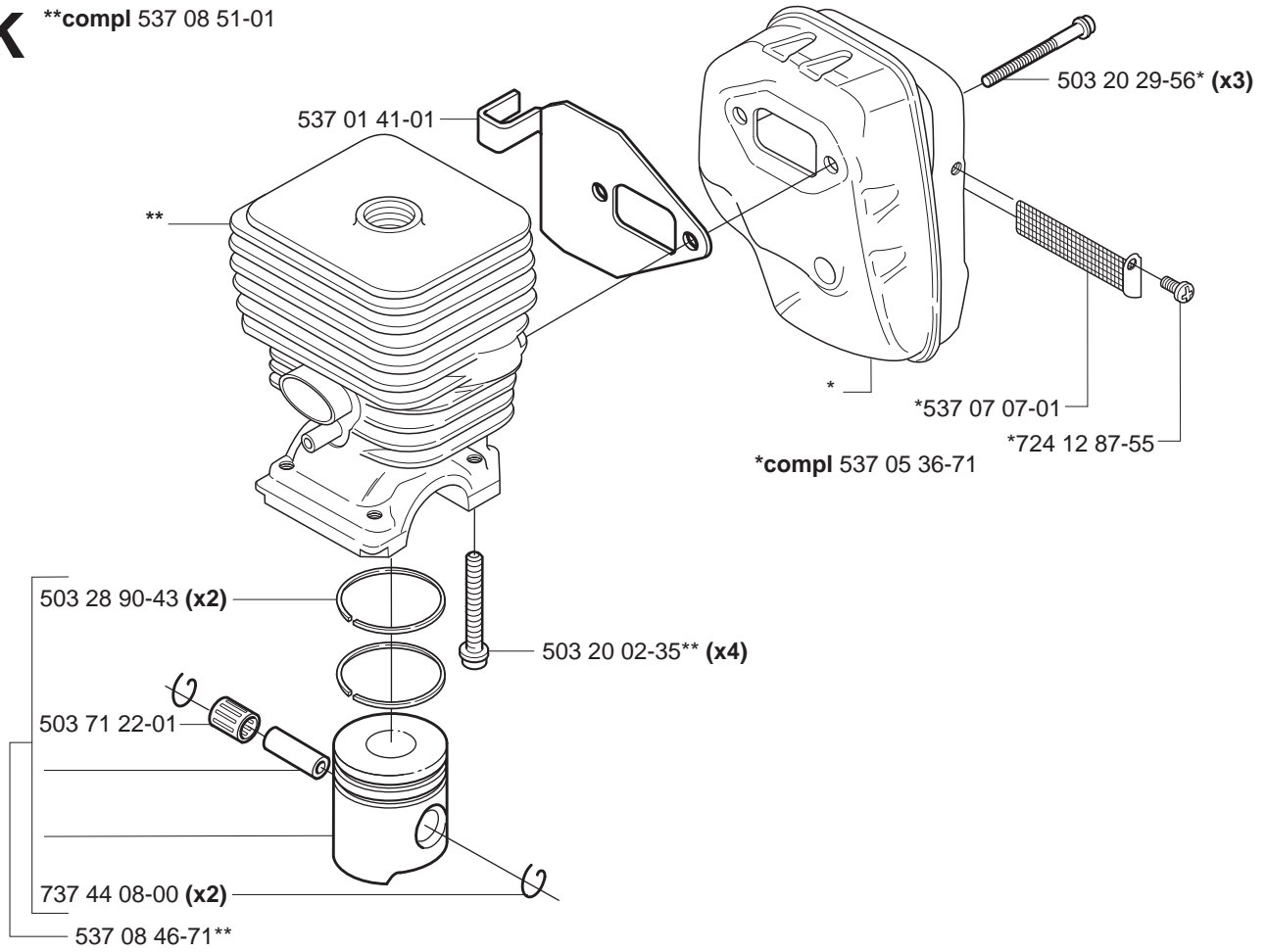
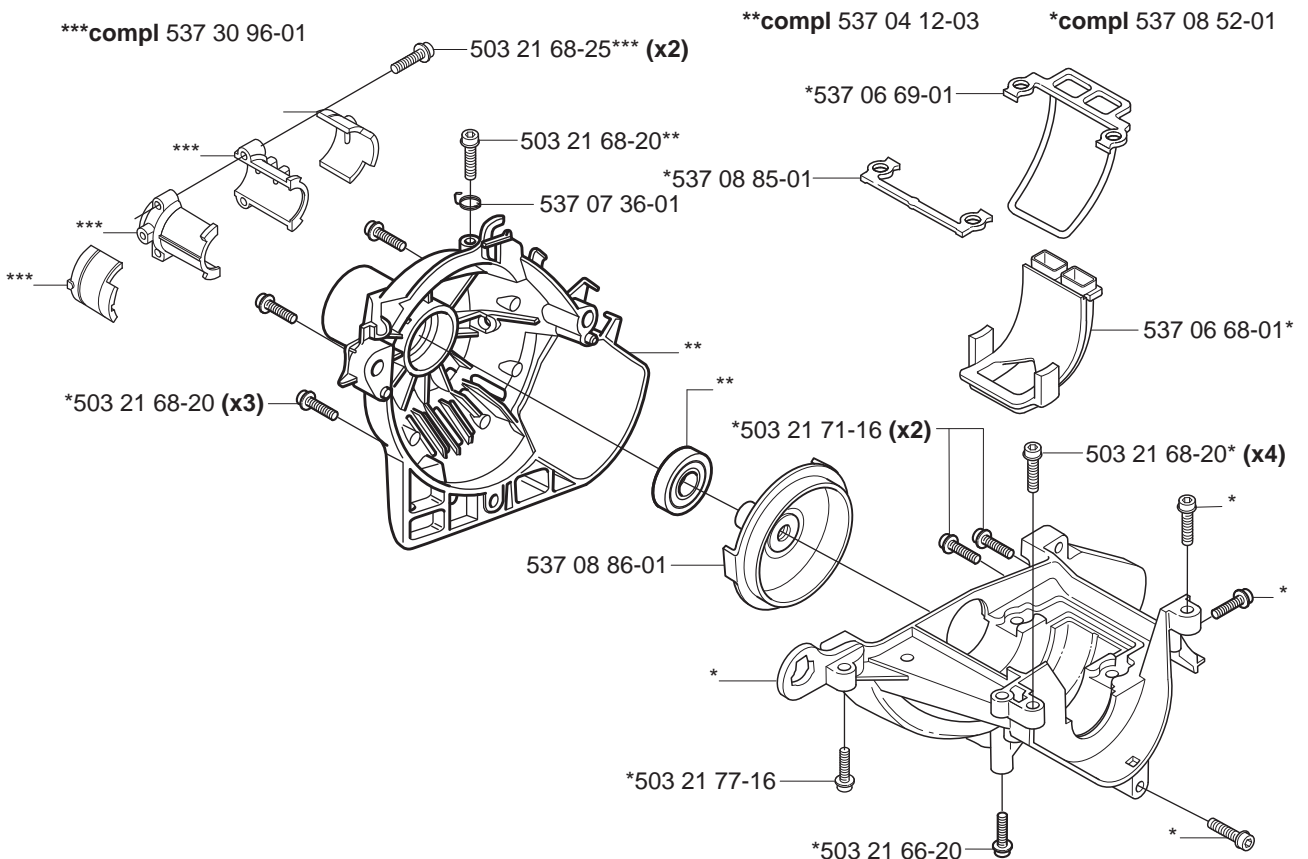
**G**

\*\*compl 503 87 33-02

\*compl 503 85 28-01

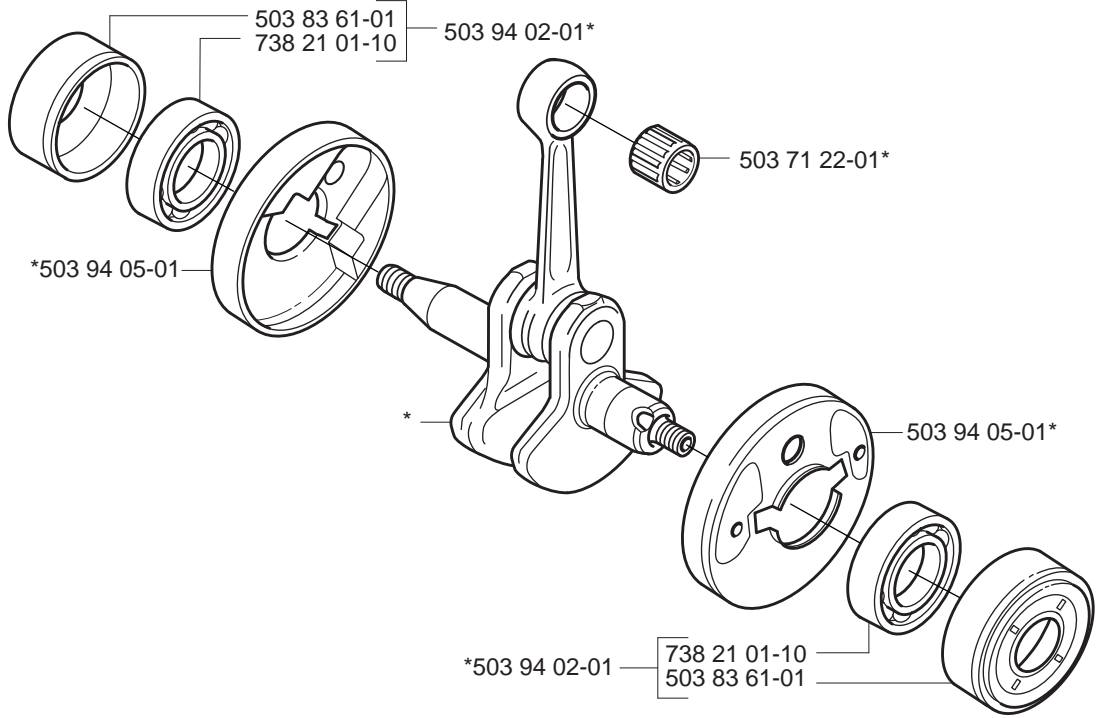




**K****\*\*compl 537 08 51-01****L**

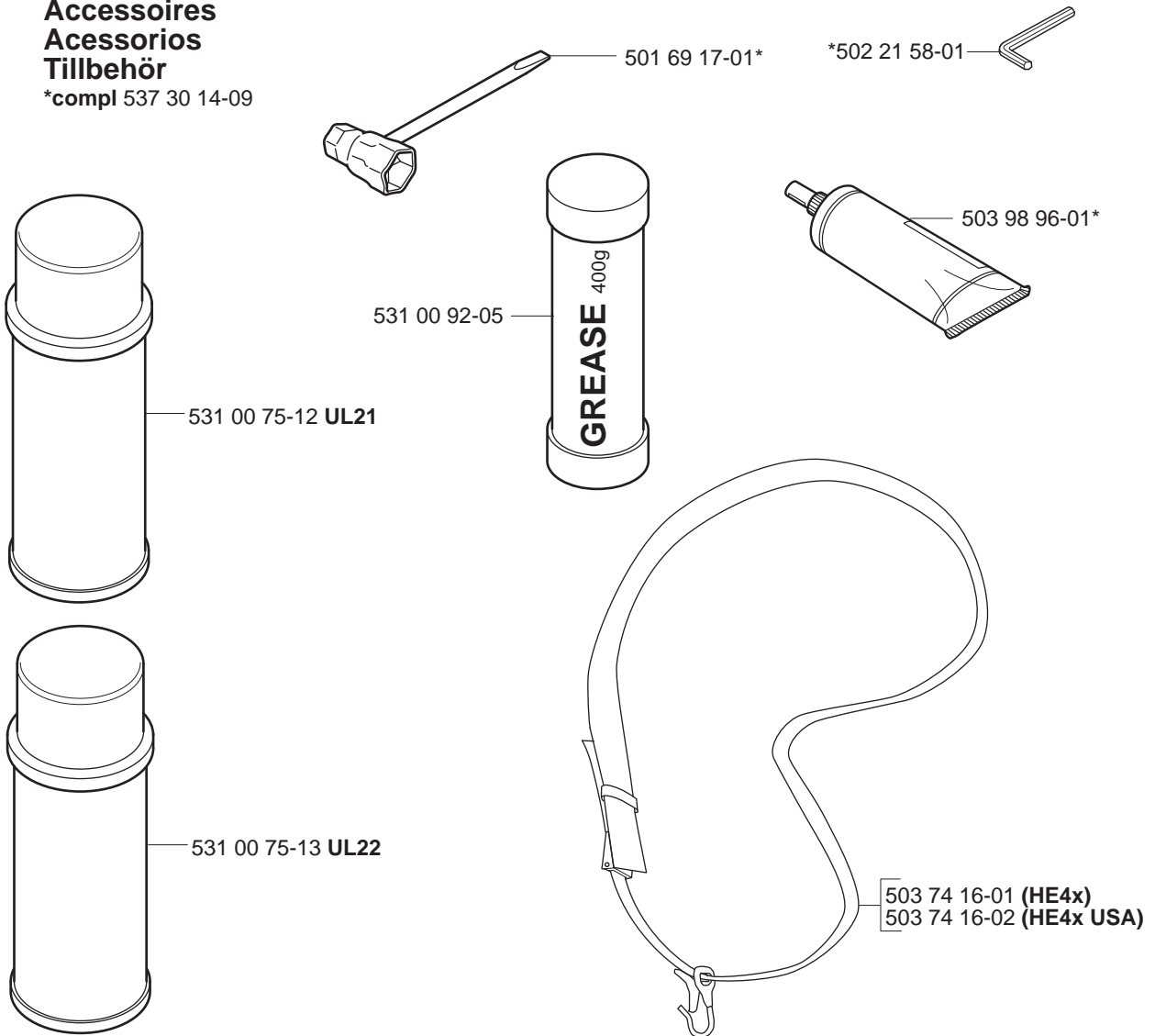


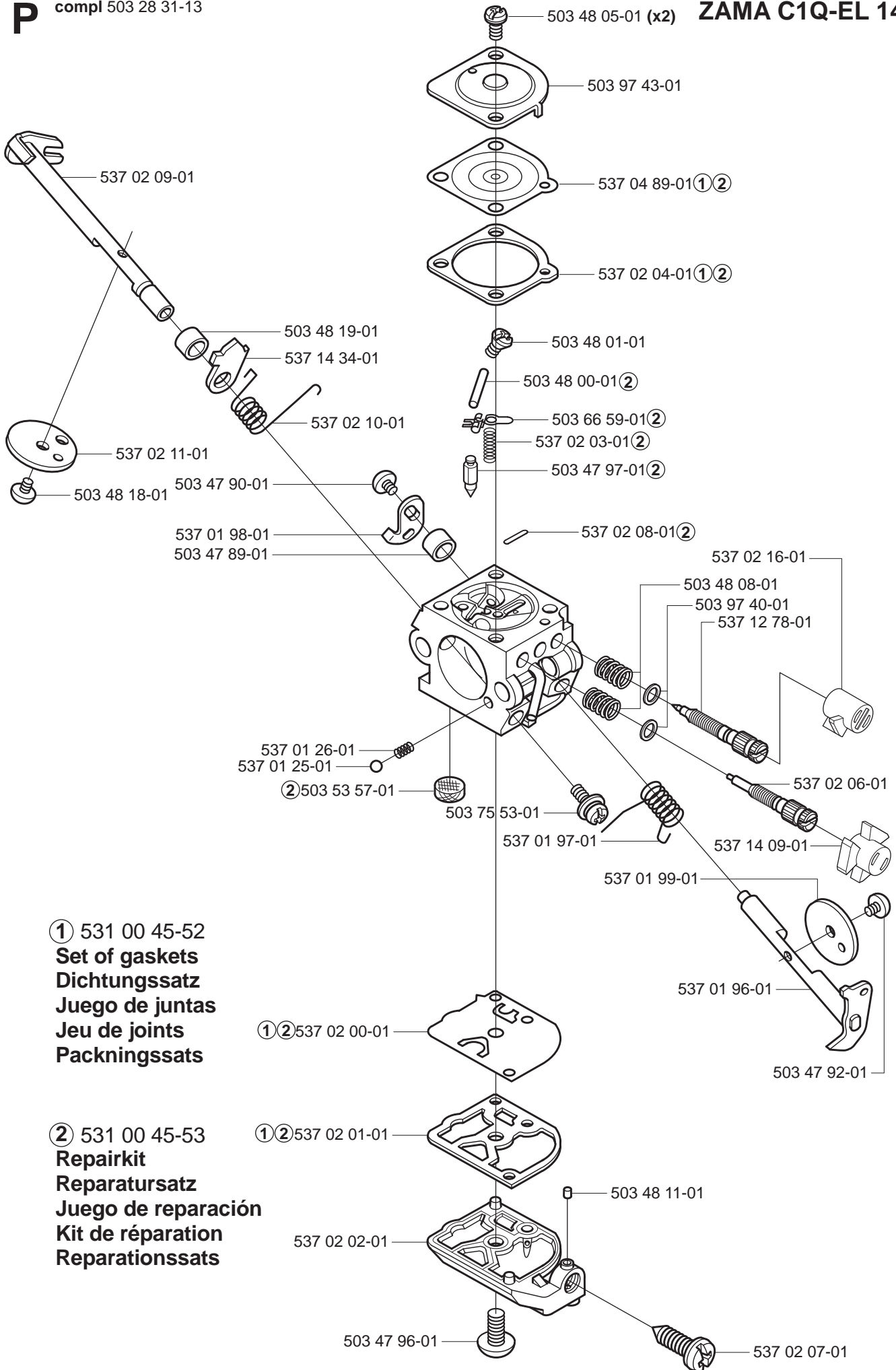
**M** \*compl 503 85 24-74



**N** Accessories  
Zubehöre  
Accessoires  
Accesorios  
Tillbehör

\*compl 537 30 14-09





① 531 00 45-52  
**Set of gaskets**  
**Dichtungssatz**  
**Juego de juntas**  
**Jeu de joints**  
**Packningssats**

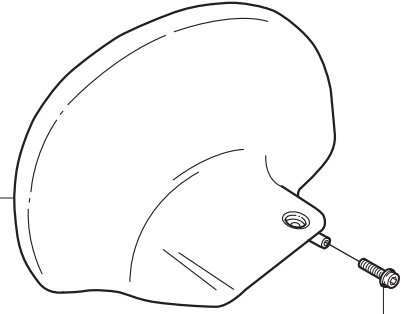
② 531 00 45-53  
**Repairkit**  
**Reparatursatz**  
**Juego de reparación**  
**Kit de réparation**  
**Reparationssats**

**Q** Hedgetrimmer Attachment HA110  
compl 537 19 66-01

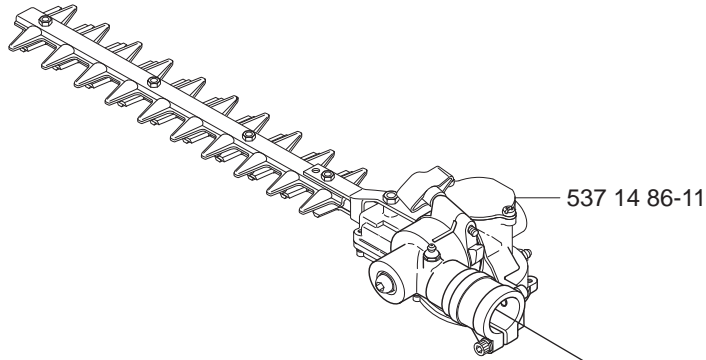
537 19 85-01



537 09 52-01



503 21 68-16



537 14 86-11

\*735 58 55-01

\* (110mm)

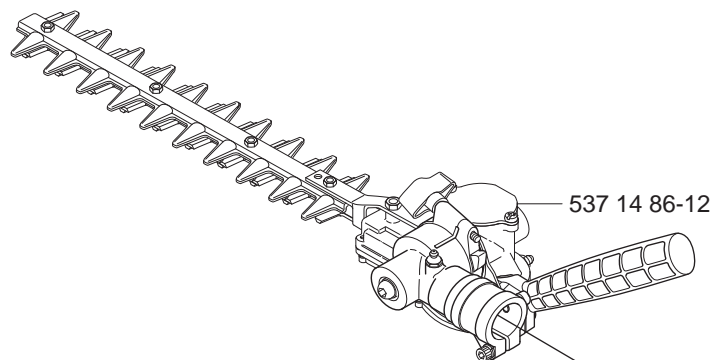
\*compl 537 19 58-01

\*503 98 54-01

\*503 78 52-01

\*537 19 59-01

**Q** Hedgetrimmer Attachment HA850  
compl 537 19 66-02



537 14 86-12

\*735 58 08-10

\*537 08 27-01 (829mm)

\*compl 537 07 99-01

\*503 98 54-01

\*503 78 52-01

\*537 01 19-01



537 08 39-01

PART NUMBER	SQUARE NOTE	PART NUMBER	SQUARE NOTE	PART NUMBER	SQUARE NOTE	PART NUMBER	SQUARE NOTE
501 36 02-05	C	503 94 05-01	M	537 09 17-01	J	725 53 33-55	A
501 36 49-38	C	503 94 10-01	B	537 09 52-01	BQ	731 23 14-01	BE
501 69 17-01	N	503 94 26-01	F	537 12 21-01	A	731 71 16-51	GJ
502 19 71-01	B	503 96 13-01	D	537 12 22-01	A	734 11 52-01	B
502 20 40-01	F	503 96 14-01	D	537 12 23-01	A	735 31 08-20	G
502 20 65-03	F	503 96 25-01	F	537 12 25-01	C	735 58 08-10	Q
502 21 58-01	N	503 96 49-01	G	537 12 30-01	A	735 58 55-01	Q
503 20 02-35	K	503 97 40-01	P	537 12 31-01	A	737 44 08-00	K
503 20 07-16	B	503 97 43-01	P	537 12 32-01	A	738 21 01-10	M
503 20 14-25	F	503 98 54-01	Q	537 12 33-01	A	738 88 10-01	A
503 20 29-56	K	503 98 96-01	N	537 12 34-01	A	740 42 06-00	D
503 21 66-18	G	503 99 55-02	D	537 12 36-01	C	740 68 11-21	F
503 21 66-20	DL	503 99 56-02	D	537 12 38-01	C		
503 21 68-16	BQ	531 00 45-52	P	537 12 39-01	A		
503 21 68-20	EGL	531 00 49-57	A	537 12 40-01	A		
503 21 68-25	L	531 00 75-12	N	537 12 41-01	C		
503 21 71-16	EJL	531 00 75-13	N	537 12 44-01	A		
503 21 75-16	G	531 00 92-05	N	537 12 45-01	A		
503 21 75-50	F	537 00 00-02	J	537 12 46-01	A		
503 21 77-16	FGL	537 00 84-01	G	537 12 47-01	A		
503 22 65-04	F	537 01 13-01	D	537 12 48-01	A		
503 23 00-42	G	537 01 19-01	Q	537 12 53-01	A		
503 23 51-09	J	537 01 25-01	P	537 12 54-01	A		
503 28 31-13	FP	537 01 26-01	P	537 12 55-01	A		
503 28 90-43	K	537 01 41-01	K	537 12 56-01	A		
503 44 32-01	H	537 01 96-01	P	537 12 57-01	A		
503 47 89-01	P	537 01 97-01	P	537 12 58-01	A		
503 47 90-01	P	537 01 98-01	P	537 12 59-01	A		
503 47 92-01	P	537 01 99-01	P	537 12 60-01	A		
503 47 96-01	P	537 02 00-01	P	537 12 62-01	A		
503 47 97-01	P	537 02 01-01	P	537 12 63-01	A		
503 48 00-01	P	537 02 02-01	P	537 12 64-01	A		
503 48 01-01	P	537 02 03-01	P	537 12 65-01	A		
503 48 05-01	P	537 02 04-01	P	537 12 66-01	A		
503 48 08-01	P	537 02 06-01	P	537 12 78-01	P		
503 48 11-01	P	537 02 07-01	P	537 13 75-01	J		
503 48 18-01	P	537 02 08-01	P	537 14 09-01	P		
503 48 19-01	P	537 02 09-01	P	537 14 31-01	F		
503 49 71-01	F	537 02 10-01	P	537 14 34-01	P		
503 53 57-01	P	537 02 11-01	P	537 14 86-11	Q	N	
503 57 76-01	H	537 02 16-01	P	537 14 86-12	Q	N	
503 66 59-01	P	537 04 01-01	J	537 15 46-01	A		
503 71 22-01	KM	537 04 12-03	L	537 17 22-14	G		
503 71 82-01	D	537 04 24-01	H	537 17 22-15	G		
503 73 58-01	H	537 04 89-01	P	537 17 22-16	G		
503 74 16-01	N	537 05 25-01	D	537 17 31-01	A		
503 74 16-02	N	537 05 36-71	K	537 17 45-01	G	N	
503 75 53-01	P	537 05 78-01	F	537 17 98-01	A		
503 78 52-01	Q	537 06 44-03	J	537 18 44-01	C		
503 83 61-01	M	537 06 61-01	E	537 18 45-01	C		
503 85 24-74	M	537 06 63-01	F	537 18 46-01	C		
503 85 28-01	G	537 06 65-01	E	537 18 47-01	C		
503 85 87-01	G	537 06 66-01	E	537 18 49-01	H		
503 85 89-01	G	537 06 68-01	L	537 19 58-01	Q		
503 86 45-01	B	537 06 69-01	L	537 19 59-01	Q		
503 87 19-03	B	537 06 86-02	H	537 19 66-01	Q	N	
503 87 33-02	G	537 07 07-01	K	537 19 66-02	Q	N	
503 87 35-02	G	537 07 36-01	L	537 19 85-01	Q		
503 87 36-01	G	537 07 99-01	Q	537 22 22-01	A		
503 87 79-01	D	537 08 27-01	BQ	537 22 54-01	A		
503 87 80-01	D	537 08 39-01	BQ	537 22 55-01	A		
503 87 85-01	D	537 08 46-71	K	537 23 96-01	J	N	
503 88 88-01	B	537 08 51-01	K	537 24 25-01	J	N	
503 91 09-01	F	537 08 52-01	L	537 24 96-02	J	N	
503 91 10-01	H	537 08 55-01	B	537 26 75-01	A		
503 91 18-02	H	537 08 85-01	L	537 30 14-09	N	N	
503 91 81-01	D	537 08 86-01	BL	537 30 96-01	L	N	
503 93 66-01	H	537 09 10-01	B	724 12 87-55	K		
503 94 02-01	M	537 09 11-01	B	725 23 78-51	B		
503 94 03-01	B	537 09 12-01	B	725 53 25-55	A		

Set of gaskets, Dichtungssatz,  
Jeu de joints, Juego de juntas,  
Packingssatz

N = New part, Neues teil,  
Nouvelle piece, Nueva pieza  
Ny detalj