

# J49

**Spare parts**

**Ersatzteile**

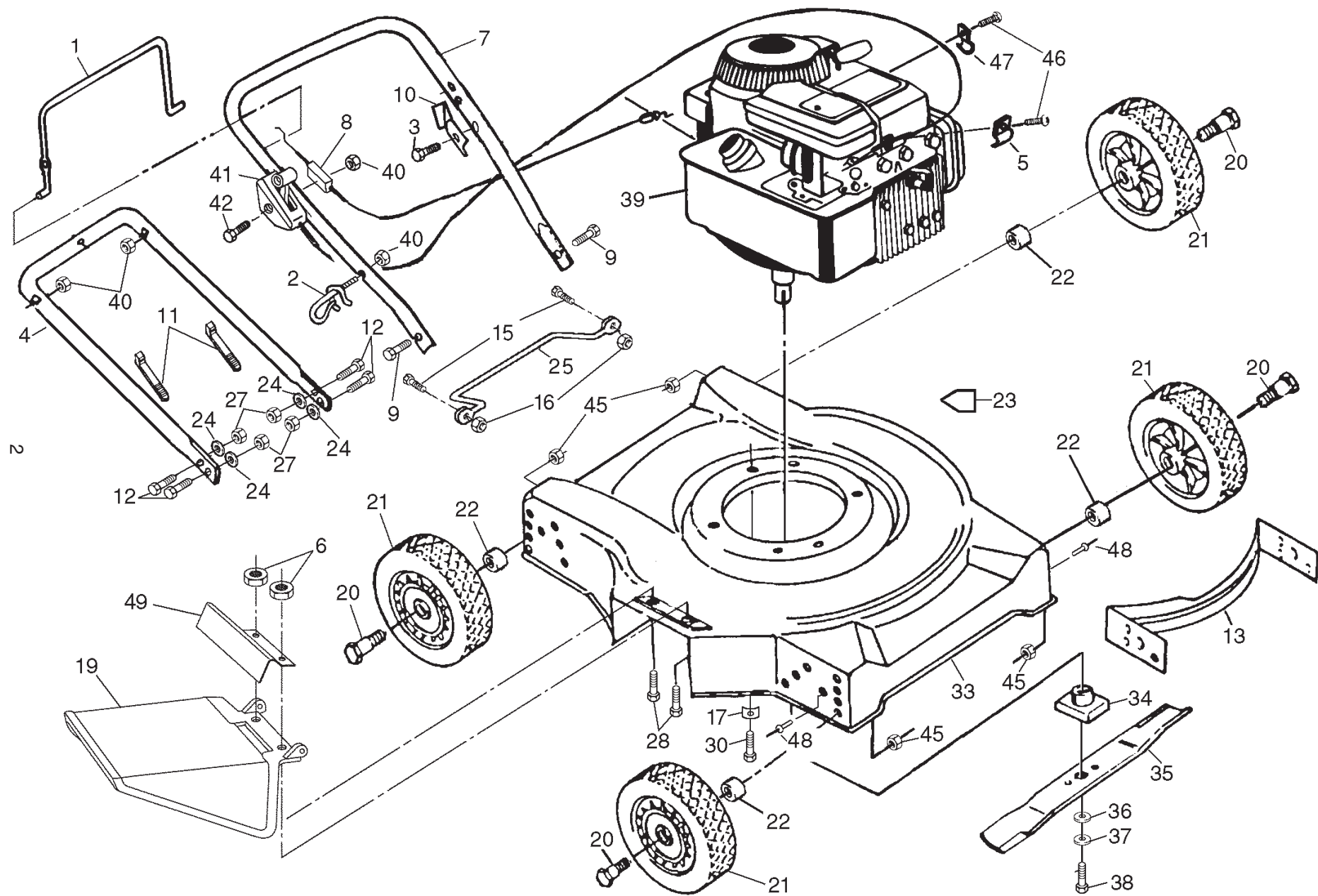
**Pièces détachées**

**Reserve onderdelen**

**Repuestos**

**Reservdelar**

# ROTARY LAWN MOWER - - MODEL NUMBER J49 (JET49N) PRODUCT NUMBER 954 17 02-19



# ROTARY LAWN MOWER - - MODEL NUMBER J49 (JET49N) PRODUCT NUMBER 954 17 02-19

3

KEY NO.	PART NO.	DESCRIPTION
1	532 08 69-02	Control Bar
2	532 17 95-85	Rope Guide
3	532 75 06-34	Screw, Self-Tapping, Hex Washer Head #10-24 x 1/2
4	532 17 35-42	Lower Handle
5	532 21 31-46	Cable Clamp (Engine)
6	<b>873 80 04-00</b>	Locknut 1/4-20
7	532 17 35-41	Upper Handle
8	532 70 08-92	Engine Zone Control Cable
9	874 35 04-24	Hex Head Bolt 1/4-20 x 1-1/2
10	532 12 51-62	Up-Stop Bracket
11	532 06 64-26	Wire Tie
12	532 13 70-09	Hex Head Bolt 3/8-16 x 1
13	532 14 15-19	Front Baffle
15	532 08 58-25	Screw
16	532 06 91-80	Nut, Hex
17	532 12 50-78	Washer, Engine
19	532 75 20-52	Discharge Guard
20	532 06 76-09	Shoulder Bolt
21	532 80 00-60	Wheel Assembly 7.00 x 1.50
22	532 13 66-24	Spacer (Washer)
23	532 18 21-66	Danger Decal
24	532 05 56-11	Washer
25	532 15 41-47	Foot Guard

KEY NO.	PART NO.	DESCRIPTION
27	532 13 20-10	Flanged Locknut 3/8-16
28	874 76 04-12	Hex Head Bolt 1/4-20 x 3/4
30	532 15 04-06	Screw, Hex Head, Threaded, Rolled 3/8-16 x 1
33	<b>532 18 96-31</b>	Kit, Lawn Mower Housing
34	532 85 09-77	Blade Adapter
35	532 85 09-72	Blade, 20"
36	532 85 10-74	Washer, Hardened
37	532 85 02-63	Helical Lock Washer
38	532 85 10-84	Screw, Machine, Hex Head 3/8-24 x 1-3/8 Grade 8
39	- - -	Engine, Briggs & Stratton, Model Number 9D902 (Order parts from engine manufacturer)
40	532 13 20-04	Hex Nut 1/4-20
41	532 18 21-58	Throttle Cable
42	532 15 87-55	Screw, Hex Washer Head 1/4-20 x 2
45	532 75 15-92	Locknut, Hex 5/8-16
46	532 08 38-16	Screw #10 x 5/8
47	532 08 79-30	Cable Clip, Throttle
48	532 12 84-15	Pop Rivet
49	532 16 22-34	Deflector Bracket
--	532 14 15-20	Rear Baffle (Not Shown)
--	<b>532 19 06-62</b>	Operator's Manual, European
--	<b>532 19 06-63</b>	Operator's Manual, Scandanavian

**NOTE:** All component dimensions given in U.S. inches.  
1 inch = 25.4 mm