

R152 SV

Spare parts

Ersatzteile

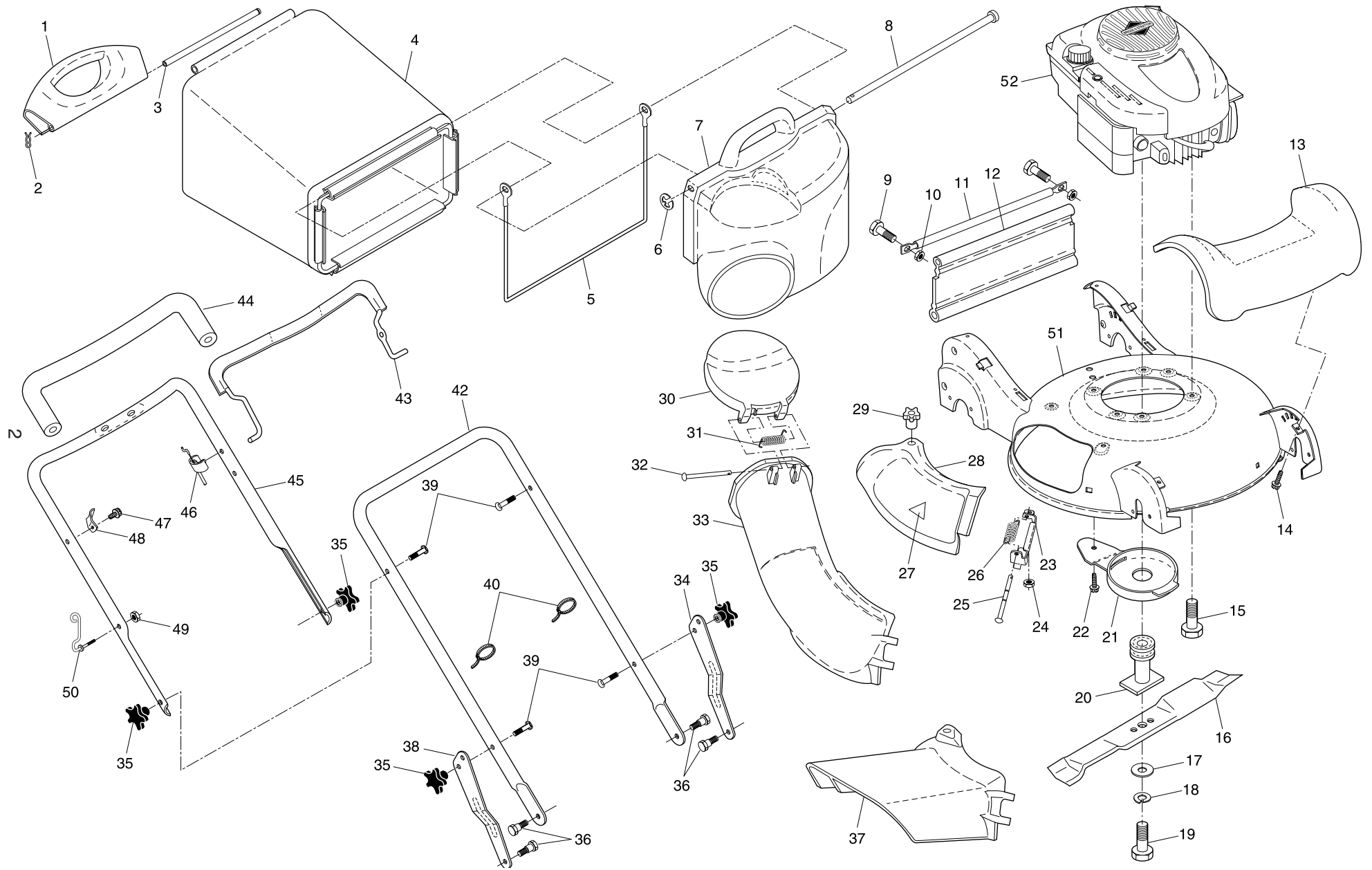
Pièces détachées

Reserve onderdelen

Repuestos

Reservdelar

ROTARY LAWN MOWER - - MODEL NUMBER R152SV (R152SVA) PRODUCT NUMBER 954 17 02-17



ROTARY LAWN MOWER - - MODEL NUMBER R152SV (R152SVA) PRODUCT NUMBER 954 17 02-17

| KEY NO. | PART NO. | DESCRIPTION |
|---------|--------------|--|
| 1 | 532 19 05-82 | Handle, Grassbag, Rear |
| 2 | 532 06 53-22 | Hairpin Cotter |
| 3 | 532 18 34-83 | Rod, Rear Handle, Grassbag |
| 4 | 532 19 03-96 | Grassbag |
| 5 | 532 18 85-06 | Frame, Grassbag |
| 6 | 812 00 00-14 | E-Ring |
| 7 | 532 19 05-81 | Door, Grassbag |
| 8 | 532 18 34-79 | Rod, Pivot |
| -- | 532 18 94-79 | Grassbag Assembly, Complete (Consists of Key Numbers 1-8) |
| 9 | 872 14 04-05 | Bolt |
| 10 | 873 80 04-00 | Nut, Hex, Nylock 1/4-20 |
| 11 | 532 19 06-92 | Tube, Rear Skirt |
| 12 | 532 19 05-66 | Skirt, Rear |
| 13 | 532 19 05-19 | Cover, Front |
| 14 | 532 18 45-72 | Screw, Hex Washer Head |
| 15 | 532 15 04-06 | Bolt, Engine Mounting |
| 16 | 532 16 58-33 | Blade, 21" |
| 17 | 532 85 10-74 | Washer, Hardened |
| 18 | 532 85 02-63 | Washer, Lock |
| 19 | 532 18 34-31 | Screw, Hex Head, Grade 8 |
| 20 | 532 18 67-66 | Adapter, Blade |
| 21 | 532 19 05-16 | Debris Shield |
| 22 | 817 60 04-06 | Screw, Hex Head, Serrated |
| 23 | 532 18 36-09 | Mounting Bracket, Mulcher Door |
| 24 | 532 75 11-52 | Nut, Hex |
| 25 | 532 18 34-45 | Rod, Hinge |
| 26 | 532 18 34-46 | Spring, Mulcher Door |
| 27 | 532 18 21-66 | Decal, Danger |
| 28 | 532 19 05-15 | Mulcher Door |

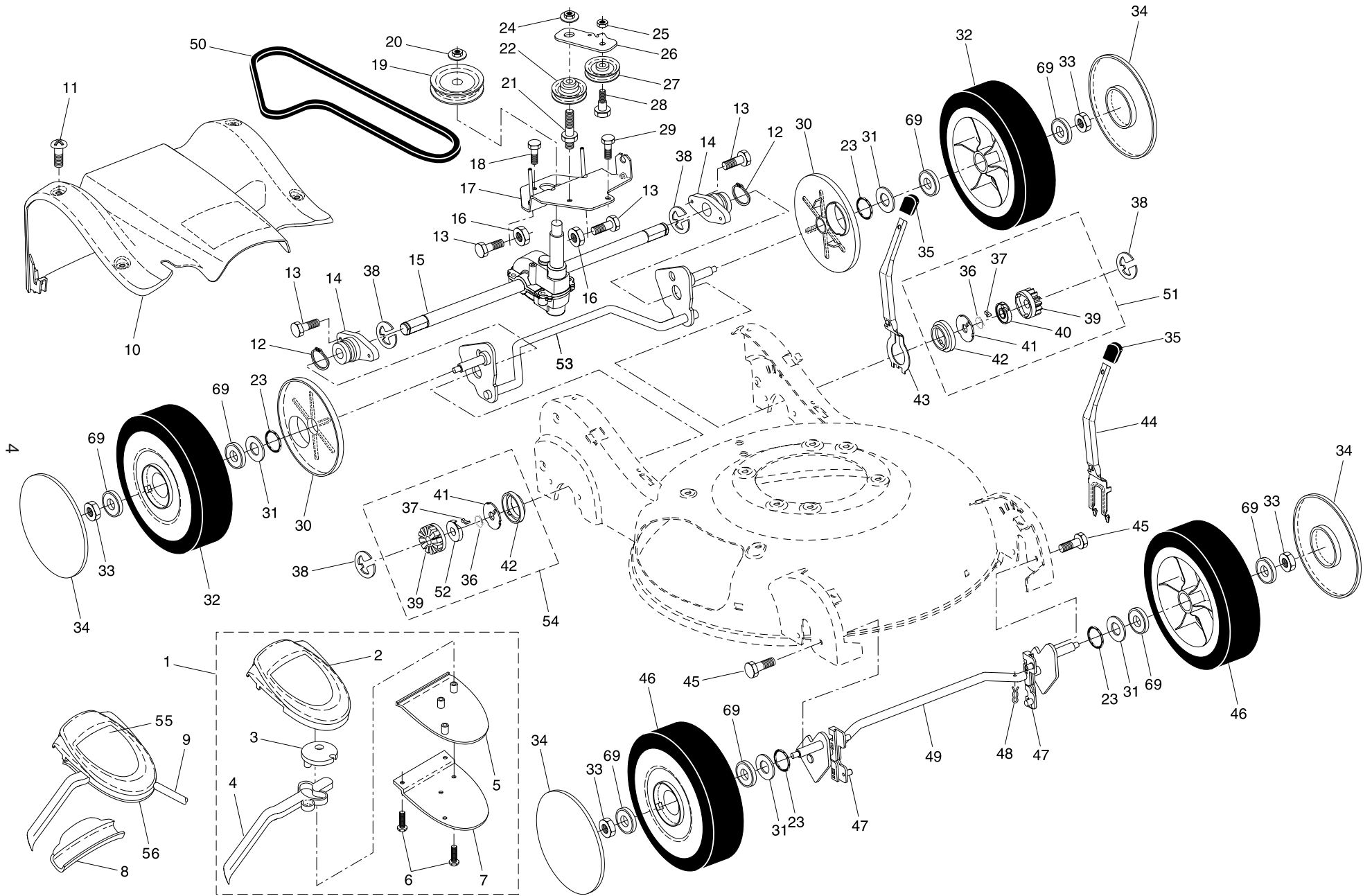
Correction:

19 532 19 17-60 Screw, Hex Head, Grade 8

| KEY NO. | PART NO. | DESCRIPTION |
|---------|--------------|---|
| 29 | 532 18 34-47 | Knob |
| 30 | 532 19 05-80 | Door, Discharge Chute |
| 31 | 532 18 34-78 | Spring, Door, Discharge Chute |
| 32 | 532 18 34-45 | Rod, Door, Discharge Chute |
| 33 | 532 19 05-78 | Discharge Chute, Plastic |
| -- | 532 18 90-14 | Discharge Chute Assembly, Complete (Consists of Key Numbers 30 through 33) |
| 34 | 532 19 06-19 | Adjustment Bracket, Lower Handle, LH |
| 35 | 532 18 55-88 | Knob, Star |
| 36 | 532 18 34-65 | Bolt, Shoulder |
| 37 | 532 18 59-96 | Deflector, Discharge |
| 38 | 532 19 06-21 | Adjustment Bracket, Lower Handle, RH |
| 39 | 532 18 45-68 | Bolt, Handle |
| 40 | 532 06 64-26 | Wire Tie |
| 42 | 532 18 70-96 | Handle Assembly, Lower |
| 43 | 532 18 62-98 | Bail, Control |
| 44 | 532 18 27-48 | Grip, Foam |
| 45 | 532 18 62-96 | Handle Assembly, Upper (Includes Foam Grip) |
| 46 | 532 18 34-73 | Cable, Engine Zone Control |
| 47 | 532 18 45-70 | Screw |
| 48 | 532 12 52-03 | Bracket, Upstop |
| 49 | 532 18 45-69 | Nut, Hex |
| 50 | 532 18 85-01 | Rope Guide |
| 51 | 532 19 06-10 | Kit, Housing |
| 52 | --- | Engine, Honda, Model Number GCV160 (Order parts from Engine Manufacturer) |
| -- | 532 18 87-43 | Opeator's Manual, European |
| -- | 532 18 87-76 | Opeator's Manual, Scandinavian |

NOTE: All component dimensions given in U.S. inches.
1 inch = 25.4 mm

ROTARY LAWN MOWER - - MODEL NUMBER R152SV (R152SVA) PRODUCT NUMBER 954 17 02-17



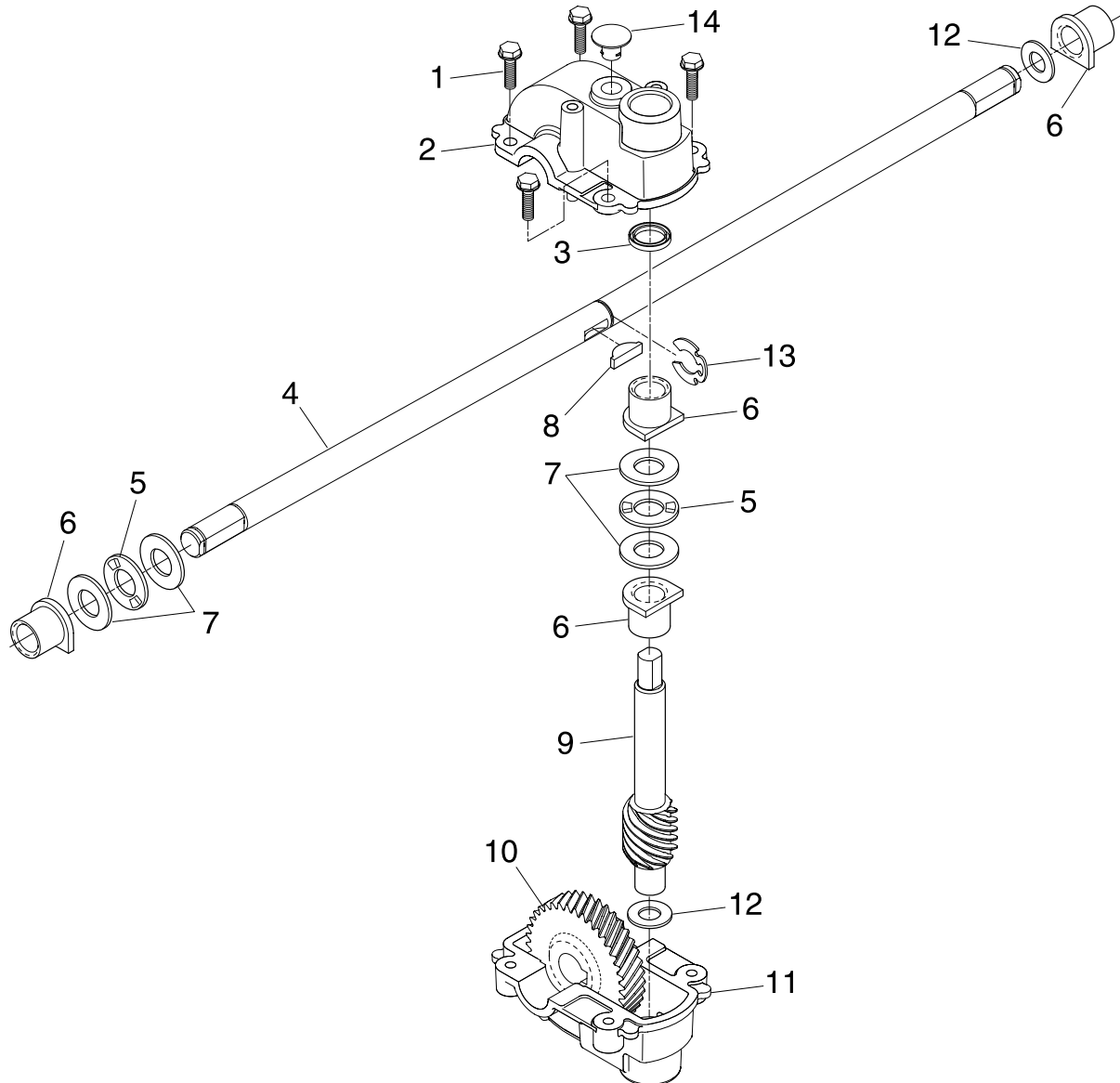
ROTARY LAWN MOWER - - MODEL NUMBER R152SV (R152SVA) PRODUCT NUMBER 954 17 02-17

| KEY NO. | PART NO. | DESCRIPTION | KEY NO. | PART NO. | DESCRIPTION |
|---------|--------------|---|---------|--------------|--|
| 1 | 532 18 53-12 | Drive Control Assembly, Complete (Consists of Key Numbers 2 through 7) | 30 | 532 18 34-57 | Cover, Dust, Wheel |
| 2 | 532 18 82-79 | Cover, Drive Control, Top | 31 | 532 08 83-48 | Washer, Flat 3/8 |
| 3 | 532 18 73-53 | Pulley, Drive Control | 32 | 532 18 86-31 | Wheel Assembly, Rear 9 x 2-1/4 |
| 4 | 532 19 02-83 | Lever, Drive Control (blue) | 33 | 532 08 39-23 | Nut, Hex |
| 5 | 532 18 82-78 | Cover, Drive Control, Bottom | 34 | 532 18 36-95 | Hubcap |
| 6 | 532 18 16-98 | Screw, Torx Head #8-5/8 | 35 | 532 18 59-94 | Knob |
| 7 | 532 18 70-97 | Bracket, Mounting, Drive Control | 36 | 532 18 82-91 | Spring, Torsion |
| 8 | 532 18 62-97 | Cap, Drive Control, Bottom | 37 | 532 17 50-98 | Pawl |
| 9 | 532 18 82-80 | Cable, Drive Control | 38 | 812 00 00-58 | E-Ring |
| 10 | 532 19 05-65 | Cover Assembly, Drive | 39 | 532 17 51-03 | Gear |
| 11 | 532 18 45-71 | Screw | 40 | 532 17 51-05 | Retainer, Drive, LH |
| 12 | 812 00 00-12 | Ring, Retaining | 41 | 532 17 51-04 | Disc, Drive |
| 13 | 532 18 34-50 | Screw | 42 | 532 18 41-72 | Seal, Friction |
| 14 | 532 18 71-20 | Bearing / Axle Support | 43 | 532 19 05-20 | Lever, Selector, Wheel Height, Rear |
| 15 | 532 18 36-99 | Gear Case Assembly (See Breakdown) | 44 | 532 19 05-18 | Lever, Selector, Wheel Height, Front |
| 16 | 532 13 20-04 | Nut, Hex | 45 | 532 16 34-09 | Screw |
| 17 | 532 18 70-93 | Bracket, Gear Case / Drive Pulley | 46 | 532 18 43-69 | Wheel Assembly, Front 9 x 2-1/4 |
| 18 | 817 54 10-11 | Screw | 47 | 532 18 34-38 | Bushing, Front Axle |
| 19 | 532 18 47-49 | Pulley, Drive | 48 | 532 16 96-75 | Retainer, Hairpin Cotter |
| 20 | 532 13 20-10 | Nut, Hex, Flangelock | 49 | 532 18 70-89 | Torque Shaft Assembly, Front |
| 21 | 532 18 86-11 | Bolt, Idler | 50 | 532 18 36-88 | Belt, Drive |
| 22 | 532 18 45-43 | Pulley Assembly, V-Groove | 51 | 532 18 83-31 | Pinion Assembly, LH |
| 23 | 532 18 81-52 | O-Ring | 52 | 532 17 51-02 | Retainer, Drive, RH |
| 24 | 532 14 52-12 | Nut, Hex, Flangelock | 53 | 532 18 70-91 | Rear Axle Assembly |
| 25 | 873 93 05-00 | Nut, Hex, Lock | 54 | 532 18 83-30 | Pinion Assembly, RH |
| 26 | 532 18 70-98 | Idler Arm | 55 | 532 18 93-78 | Decal, Drive Control |
| 27 | 532 16 60-43 | Pulley | 56 | 532 18 93-79 | Decal, Drive Control Adjustment (bottom) |
| 28 | 532 16 08-29 | Bolt, Hex Head, Shoulder | 69 | 532 75 10-68 | Bearing, Ball (Wheel) |
| 29 | 817 06 04-10 | Screw 1/4-20 x 1/16 | | | |

NOTE: All component dimensions given in U.S. inches.
1 inch = 25.4 mm

**ROTARY LAWN MOWER - - MODEL NUMBER R152SV (R152SVA)
PRODUCT NUMBER 954 17 02-17**

GEARCASE ASSEMBLY - PART NUMBER 532 18 36-99



| KEY NO. | PART NO. | DESCRIPTION |
|---------|--------------|---|
| 1 | 817 54 10-11 | Screw, Tapping #10-24 x .668 |
| 2 | 532 16 06-72 | Gear Case, Upper |
| 3 | 532 05 70-72 | Seal |
| 4 | 532 18 39-08 | Drive Shaft |
| 5 | 532 16 08-18 | Bearing, Needle, Thrust |
| 6 | 532 07 78-81 | Bearing |
| 7 | 532 16 08-17 | Washer, Thrust |
| 8 | 532 85 08-48 | Key, Hi-pro |
| 9 | 532 18 41-34 | Shaft, Worm |
| 10 | 532 16 06-79 | Gear, Helical |
| 11 | 532 16 06-73 | Gear Case, Lower |
| 12 | 532 05 70-79 | Washer, Hardened |
| 13 | 812 00 00-39 | E-Ring |
| 14 | 532 08 64-47 | Plug |
| -- | 532 75 03-69 | Grease |
| -- | 532 18 42-08 | Kit, Gearcase Replacement (Includes Grease) |

NOTE: All component dimensions given in U.S. inches.
1 inch = 25.4 mm