

IPL, ZTHE 5223 KAB, ZTHE 6125 KAB, 2004-01, 106 31 89-61

968999226, 968999227

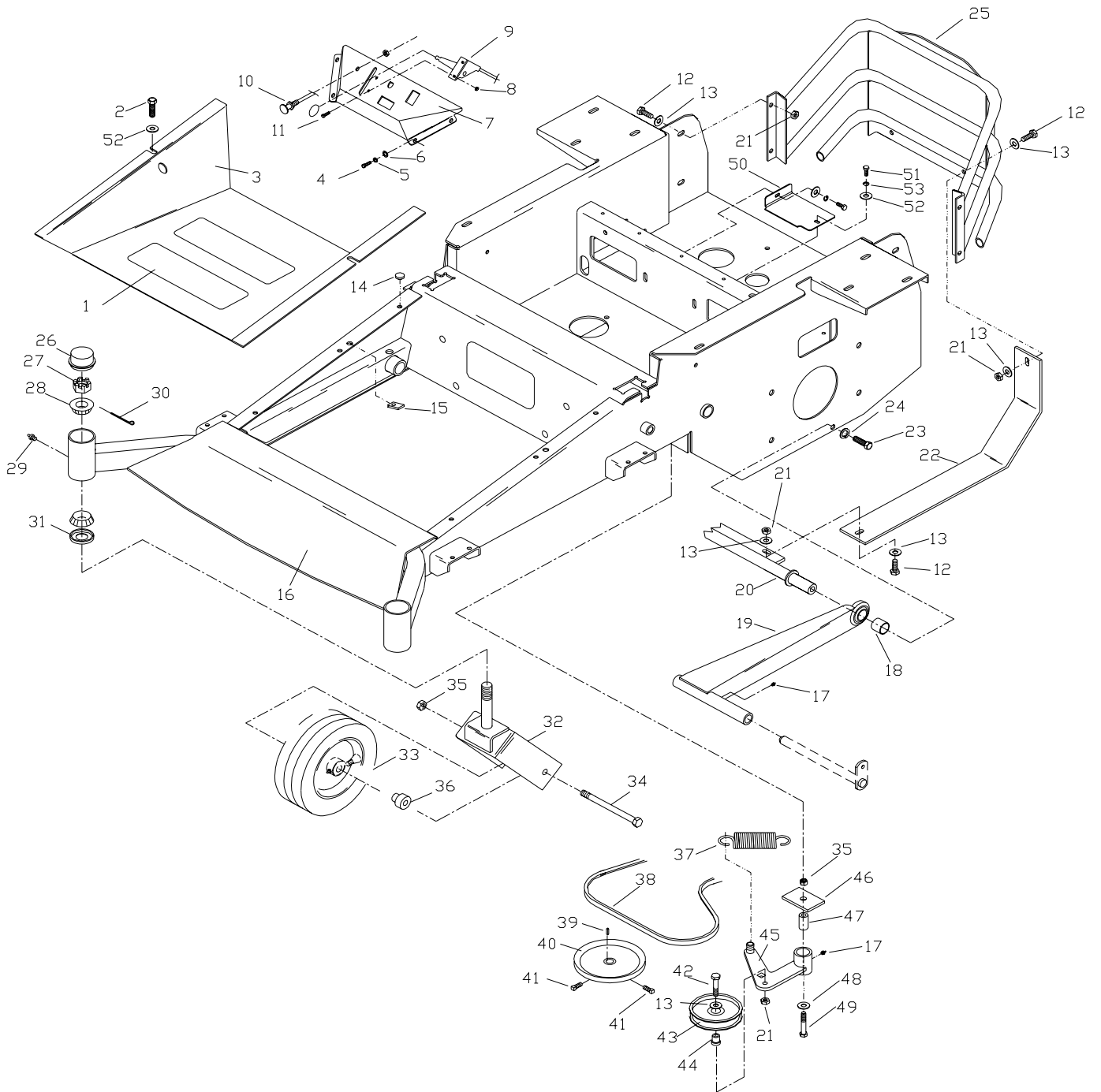
For Serial No. 033600000 & Higher

ZTHE5223

ZTHE6125

Spare parts
Ersatzteile
Pièces détachées
Reserve onderdelen
Repuestos
Reservdelar

MAIN FRAME ASSEMBLY



MAIN FRAME ASSEMBLY

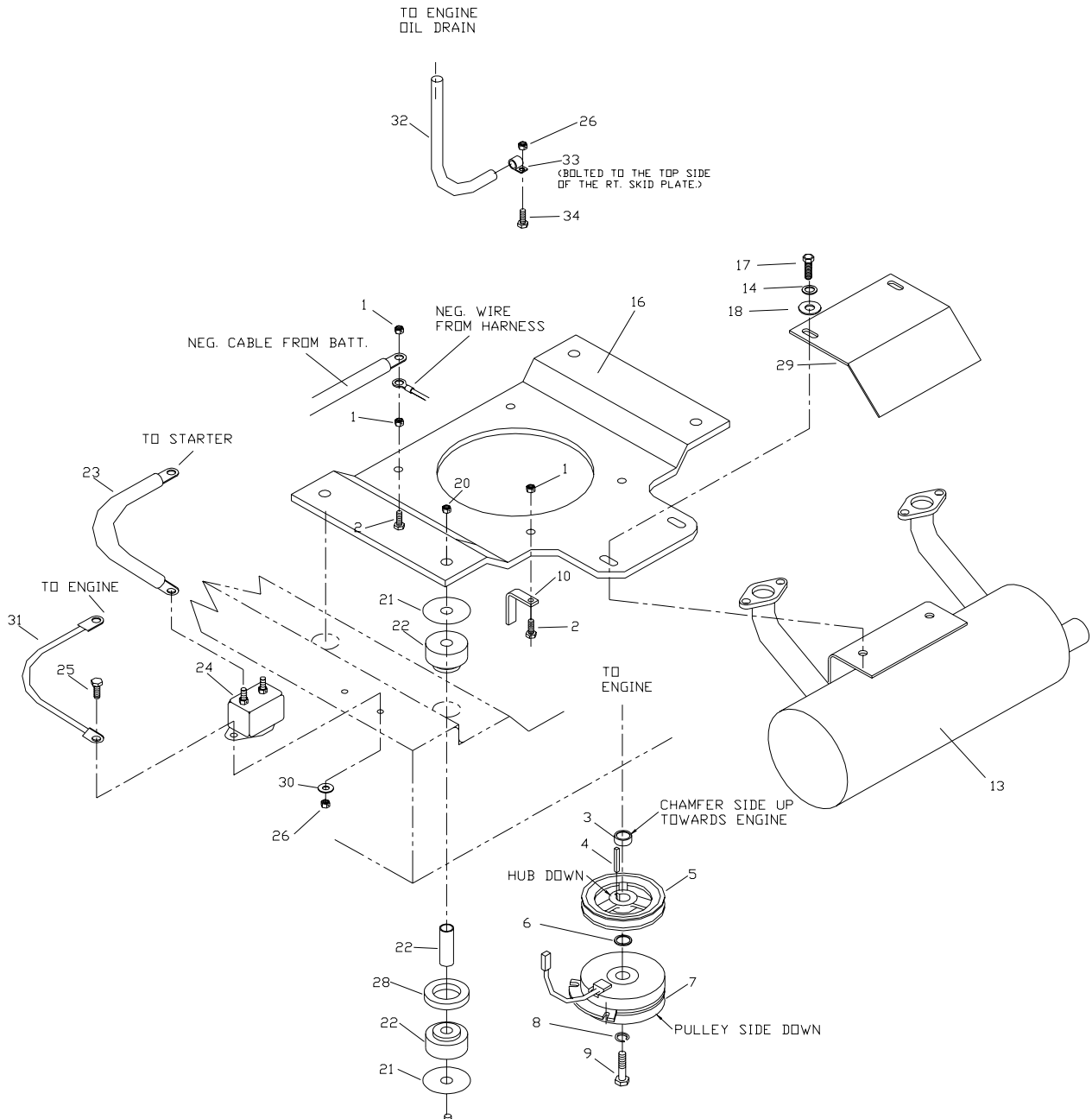
ITEM PART NO. QTY. DESCRIPTION

1	539977778	3	ANTI-SKID PAD
2	539990209	2	HCS 5/16C X 1
3	539105947	1	FOOT PLATE
4	539990580	4	HCS 1/4C X 3/4"
5	539990052	4	1/4" LOCK WASHER
6	539990598	4	1/4" FLAT WASHER
7	539105151	1	CONSOLE W/ DECAL
8	539976977	2	# 10-24 NYLOC NUT
9	539102732	1	THROTTLE CABLE
10	..	539102733	1	CHOKE CABLE
11	..	539990411	2	HCS #10-24 X 1/2"
12	..	539990563	8	HCS 3/8C X 1"
13	..	539990517	13	3/8 FLAT WASHER
14	..	539102587	6	BUMPER
15	..	539104763	4	"U" CLIP
16	..	539105950	1	MAIN FRAME
					W/DECALS
17	..	539976998	3	ZERK
18	..	539104521	2	STRUT SPACER
19	..	539104390	2	STRUT
20	..	539104332	1	CROSS SHAFT
21	..	539990546	9	3/8C CENTERLOCK
22	..	539105741	2	SKID PLATE
23	..	539100143	2	HCS 7/16C X 1"
24	..	539990247	2	7/16 LOCK WASHER
25	..	539105749	1	REAR GUARD
26	..	539102535	2	CAP, GREASE
27	..	539102852	2	CASTLE NUT 1" C
28	..	539102626	4	BEARING W/CUP

ITEM PART NO. QTY. DESCRIPTION

29	..	539101474	2	DRIVE IN ZERK
30	..	539102889	2	COTTER PIN 1/8 X 2"
31	..	539102851	2	SEAL
32	..	539105982	2	YOKE, CASTER
33	..	539105521	2	TIRE & WHEEL ASM.
	539105523	1	RIM
	539105522	1	TIRE
	539103300	1	ZERK
	539912234	1	AIR VALVE
	539102485	2	2.5" ROLLER
					BEARING
34	..	539105517	2	HCS 1/2-13 X 9.5"
					GD. 5
35	..	539101331	3	1/2C NYLOC NUT
36	..	539105518	2	SPACER, CASTER
37	..	539103256	1	SPRING
38	..	539104334	1	PUMP BELT
39	..	539101177	2	5MM X 25MM
					KEY SQ.
40	..	539101176	2	PULLEY
41	..	539102717	4	5/16C X 5/8
					SET SCREW
42	..	539990730	1	HCS 3/8C X 1.75
43	..	539976688	1	IDLER PULLEY
44	..	539976695	1	IDLER FLANGE
					BUSHING
45	..	539104388	1	IDLER ARM
46	..	539102236	1	SUPPORT PLATE
47	..	539103427	1	PIVOT BUSHING
48	..	539990550	1	1/2 FLAT WASHER
49	..	539103433	1	HCS 1/2C X 3.25
					GD. 5
50	..	539105716	1	IDLER COVER
51	..	539976934	2	HCS 5/16C X 3/4
52	..	539990692	4	5/16 FLAT WASHER
53	..	539990187	2	5/16 LOCK WASHER

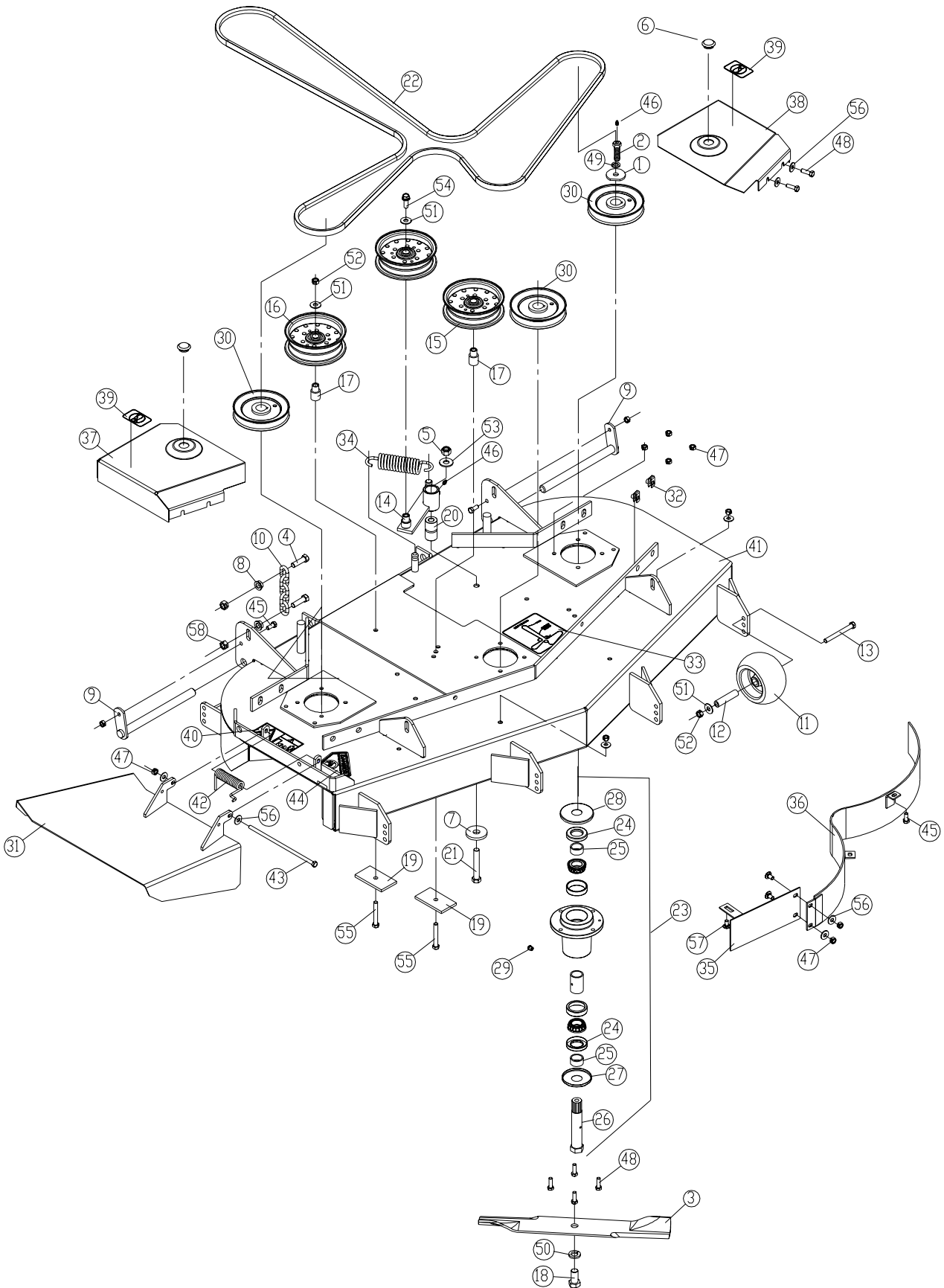
ENGINE ASSEMBLY



ENGINE ASSEMBLY

ITEM	PART NO.	QTY.	DESCRIPTION
1	539990184	4	NUT 5/16C CTR. LOCK
2	539990669	4	HCS 5/16C X 1.75
3	539104427	1	SPACER
4	539105308	1	KEY 1/4SQ. X 1.0
5	539104429	1	PULLEY
6	539104428	1	SPACER
7	539105406	1	ELECTRIC CLUTCH 200 lb
8	539990427	1	7/16 LOCKWASHER
9	539991120	1	HCS 7/16F X 2.5
10	539103251	1	CLUTCH TIE DOWN
12	539104415	1	KAWASAKI PIGTAIL (NOT SHOWN)
13	539105897	1	MUFFLER, KAWASAKI
14	539990187	2	5/16 LOCK WASHER
16	539106495	1	EURO ENGINE MOUNT
17	539976934	2	HCS 5/16C X 3/4
18	539990692	2	5/16 FLAT WASHER
19	539103433	4	HCS 1/2C X 3.25
20	539101331	4	NUT 1/2C NYLOC
21	539104959	6	ISOLATOR WASHER
22	539104958	4	ISOLATOR
23	539102757	1	CABLE, POSITIVE
24	539101714	1	SOLINOID
25	539990072	2	HCS 1/4C X 5/8
26	539990761	3	1/4C CTR. LOCK
27	539105901	1	FUEL LINE ASSEMBLY (NOT SHOWN)
28	539105034	4	ISOLATOR SPACER
29	539105968	1	MUFFLER GUARD
30	539990053	1	1/4 INT. TOOTH WASHER
31	539105409	1	GROUND WIRE
32	539107937	1	OIL DRAIN HOSE
33	539102685	1	LOOM CLIP
34	539990580	1	HCS 1/4C X 3/4
37	539102759	2	INSULATOR, TERMINAL (NOT SHOWN)

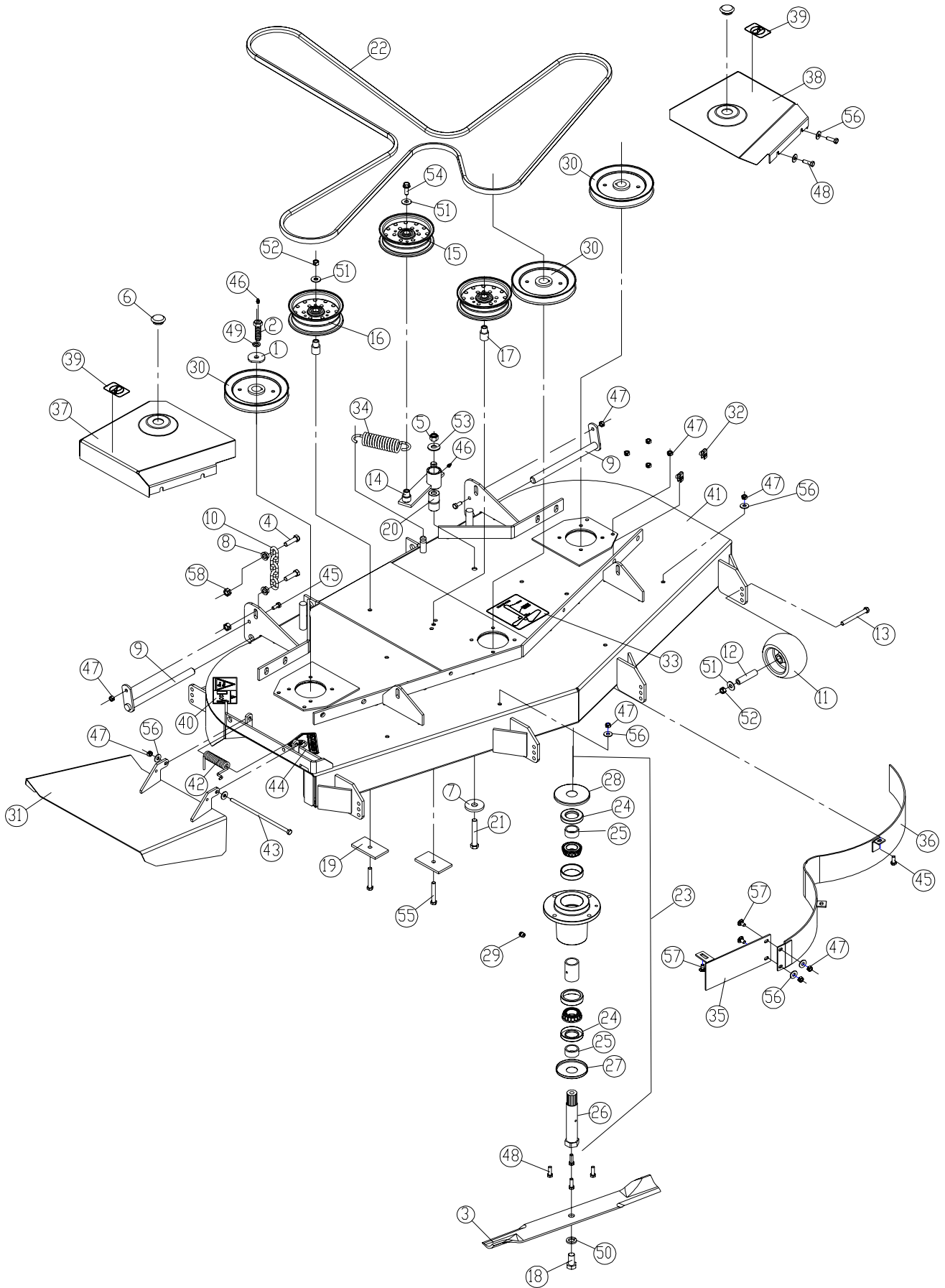
52" DECK ASSEMBLY



52" DECK ASSEMBLY

ITEM	PART NO.	QTY.	DESCRIPTION
1	539100132	3	CRANKSHAFT WASHER
2	539108766	3	HCS 7/16F X 1 1/2, SPECIAL
3	539100341	3	BLADE 18"
4	539101175	8	HCS .4375C X 1.5
5	539101331	1	NUT .5C NYLOC
6	539108382	2	PLUG, BUTTON HOLE
7	539102243	1	SUPPORT WASHER
8	539102582	8	NUT .4375C WHIZ
9	539102619	2	PIVOT PIN
10	539102641	4	LIFT CHAIN
11	539102643	6	ANTI-SCALP ROLLER
12	539102698	6	BUSHING
13	539102754	6	HCS .375C X 3.5
14	539103230	1	IDLER ARM
15	539103257	2	IDLER PULLEY
16	539103258	1	IDLER PULLEY (TALL)
17	539103295	2	IDLER BUSHING
18	539103299	3	HCS .625F X 1.25
19	539103303	2	PAD. PAINTED
20	539103427	1	PIVOT BUSHING
21	539103433	1	HCS .5C X 3.25
22	539104335	1	52" DECK BELT
23	539108763	3	CUTTER HOUSING ASM.
24	539108754	2	SHAFT SEAL
25	539108758	2	SPACER
26	539108760	1	MINI SPINDLE
27	539108449	1	DUST CAP, BOTTOM
28	539108450	1	DUST CAP, TOP
29	539977326	1	GREASE POPET
30	539107277	3	PULLEY
31	539104422	1	DISCHARGE CHUTE
32	539104763	8	"U" CLIP
33	539105012	1	DECAL, BELT ROUTE
34	539105192	1	SPRING
35	539105453	1	CTR. WLDMT. PAINTED
36	539105457	1	MAIN WLDMT. PAINTED
37	539108929	1	52" BELT SHIELD RT.
38	539108930	1	52" BELT SHIELD LT.
39	539105743	2	DECAL, NO STEP
40	539105746	1	EURO DECAL, SEVERING
41	539105780	1	DECK W/DECALS
42	539105822	1	SPRING-TORSION
43	539105827	1	HCS .312C X 8.5
44	539913010	1	DECAL, CPSC
45	539976934	4	HCS .312C X .75
46	539976998	4	ZERK
47	539990184	20	NUT .312C CTR. LOCK
48	539990209	20	HCS .312C X 1.0
49	539990247	3	.438 LOCKWASHER
50	539990333	3	.625 LOCK WASHER
51	539990517	9	FLAT WASHER .375
52	539990546	8	NUT .375C CTR. LOCK
53	539990550	1	FLAT WASHER .5
54	539990582	1	HCS .375C X 1.0 SERR. HD.
55	539990637	2	HCS .375C X 2.5
56	539990692	15	FLAT WASHER .312
57	539990799	3	CARR. BOLT .312C X .625
58	539990839	8	NUT .437C CTR. LOCK

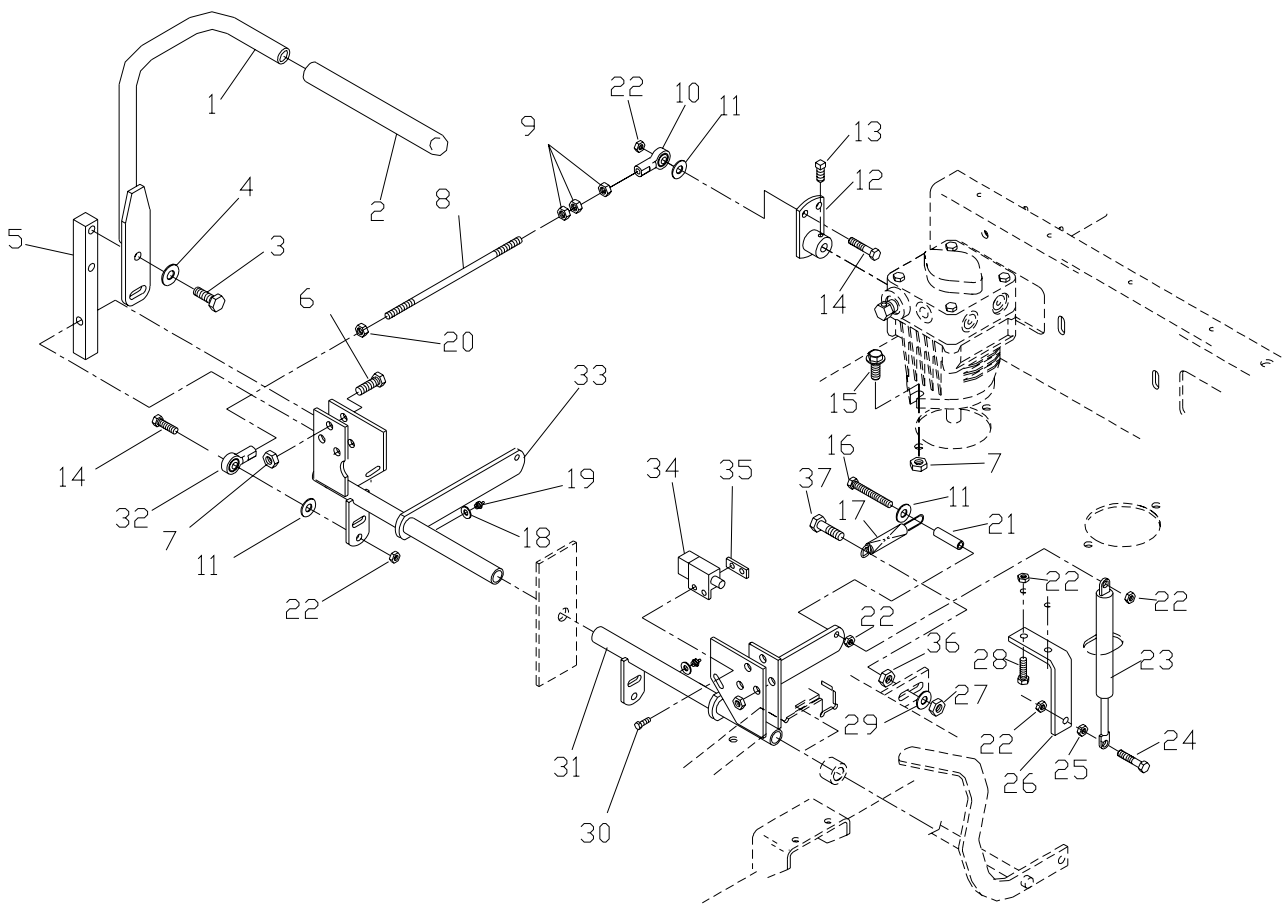
61" DECK ASSEMBLY



61" DECK ASSEMBLY

ITEM	PART NO.	QTY.	DESCRIPTION
1	539100132	3	CRANKSHAFT WASHER
2	539108766	3	HCS 7/16F X 1 1/2
3	539101733	3	BLADE 21"
4	539101175	8	HCS .4375C X 1.5
5	539101331	1	NUT .5C NYLOC
6	539108382	2	PLUG, BUTTON HOLE
7	539102243	1	SUPPORT WASHER
8	539102582	8	NUT .4375C WHIZ
9	539102619	2	PIVOT PIN
10	539102641	4	LIFT CHAIN
11	539102643	6	ANTI-SCALP ROLLER
12	539102698	6	BUSHING
13	539102754	6	HCS .375C X 3.5
14	539103230	1	IDLER ARM
15	539103257	2	IDLER PULLEY
16	539103258	1	IDLER PULLEY (TALL)
17	539103295	2	IDLER BUSHING
18	539103299	3	HCS .625F X 1.25
19	539103303	2	PAD, PAINTED
20	539103427	1	PIVOT BUSHING
21	539103433	1	HCS .5C X 3.25
22	539104336	1	61" DECK BELT
23	539108763	3	CUTTER HOUSING ASM.
24	539108754	2	SHAFT SEAL
25	539108758	2	SPACER
26	539108760	1	MINI SPINDLE
27	539108449	1	DUST CAP, BOTTOM
28	539108450	1	DUST CAP, TOP
29	539977326	1	GREASE POPET
30	539107278	3	PULLEY
31	539104422	1	DISCHARGE CHUTE
32	539104763	8	"U" CLIP
33	539105012	1	DECAL, BELT ROUTE
34	539105192	1	SPRING
35	539105461	1	CTR. WLDMT. PAINTED
36	539105465	1	MAIN WLDMT. PAINTED
37	539108914	1	61" BELT SHIELD RT.
38	539108916	1	61" BELT SHIELD LT.
39	539105743	2	DECAL, NO STEP
40	539105746	1	EURO DECAL, SEVERING
41	539105781	1	DECK W/DECALS
42	539105822	1	SPRING-TORSION
43	539105827	1	HCS .312C X 8.5
44	539913010	1	DECAL, CPSC
45	539976934	4	HCS .312C X .75
46	539976998	4	ZERK
47	539990184	20	NUT .312C CTR. LOCK
48	539990209	20	HCS .312C X 1.0
49	539990247	3	.438 LOCK WASHER
50	539990333	3	.625 LOCK WASHER
51	539990517	9	FLAT WASHER .375
52	539990546	8	NUT .375C CTR. LOCK
53	539990550	1	FLAT WASHER .5
54	539990582	1	HCS .375C X 1.0 SERR. HD.
55	539990637	2	HCS .375C X 2.5
56	539990692	15	FLAT WASHER .312
57	539990799	3	CARR. BOLT .312C X .625
58	539990839	8	NUT .437C CTR. LOCK

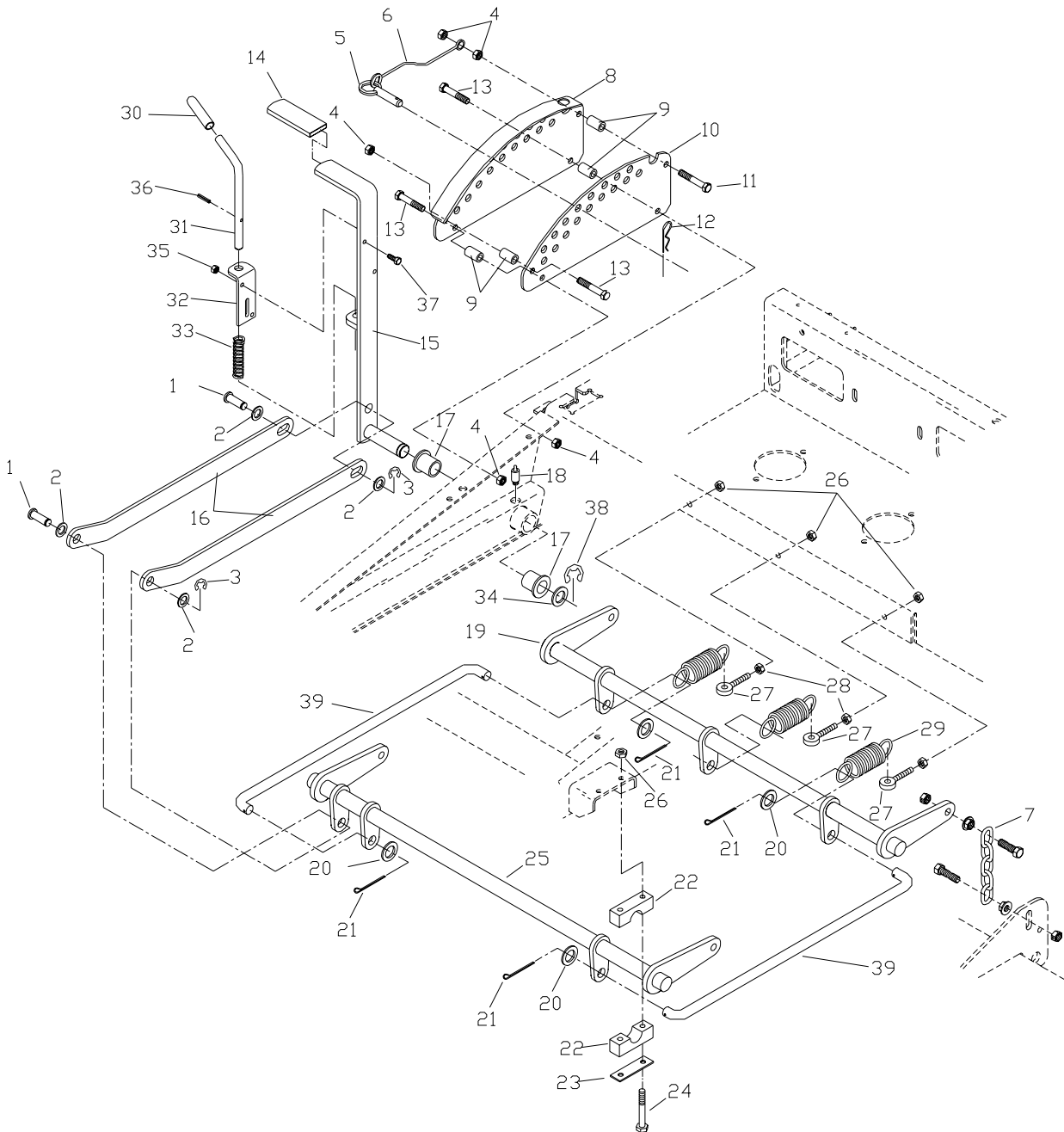
MOTION CONTROL ASSEMBLY



MOTION CONTROL ASSEMBLY

ITEM	PART NO.	QTY.	DESCRIPTION
1	539104190	2	CONT. LEVER
2	539102592	2	GRIP
3	539990563	4	HCS 3/8C X 1
4	539102593	4	3/8 SPRING WASHER
5	539102809	2	ARM CONT. SHAFT
6	539990655	6	HCS 3/8C X 1 1/2
7	539990546	10	NUT 3/8C CTR. LOCK
8	539105279	2	PUMP CONTROL LINK
9	539990223	6	NUT 5/16F
10	539102590	2	BALL JOINT RT.
11	539990692	6	5/16 FLAT WASHER
12	539104382	2	PUMP LEVER
13	539105079	2	5/16C X 5/8 "V" POINT
14	539990209	4	HCS 5/16C X 1
15	539990582	4	HCS 3/8C X 1
16	539991055	2	TAPBOLT 5/16C X 2.25
17	539103297	2	REV. DETENT SPRING
18	539103547	2	WASHER
19	539976998	2	ZERK
20	539991073	2	NUT 5/16F LH.
21	539104995	2	SPACER
22	539990184	14	5/16C CTR. LOCK
23	539102720	2	DAMPENER
24	539990627	4	HCS 5/16C X 1.25
25	539990585	2	5/16C WHIZ NUT
26	539105023	2	BRACKET "L"
27	539976979	2	3/8C NYLOC
28	539976934	4	HCS 5/16C X 3/4
29	539990517	2	3/8 FLAT WASHER
30	539976952	4	SCREW #10-24 X 5/8
31	539104363	1	CONTROL WLDMT. LEFT
32	539102591	1	BALL JOINT LH.
33	539104364	1	CONTROL WLDMT. RIGHT
34	539101080	2	SWITCH
35	539102678	2	TAPPED PLATE
36	539990613	2	3/8C WHIZ NUT
37	539990588	2	HCS 3/8C X 2
38	539102685	1	HOSE CLAMP

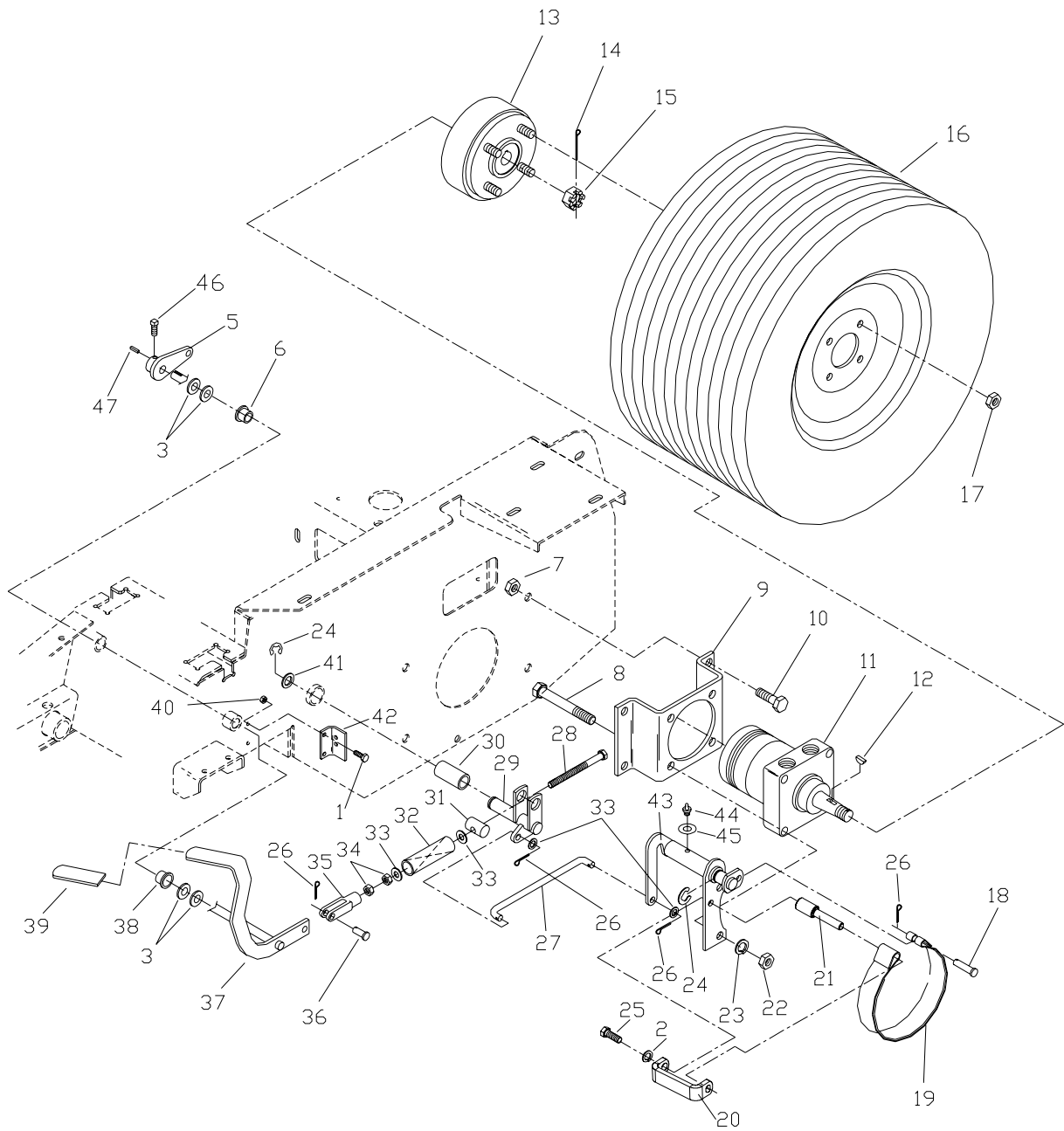
DECK LIFT ASSEMBLY



DECK LIFT ASSEMBLY

ITEM	PART NO.	QTY.	DESCRIPTION
1	539105060	2	CLEVIS PIN
2	539991043	4	MACH. BUSHING
3	539105069	2	5/8 E - RING
4	539990546	5	NUT 3/8C CTR. LOCK
5	539102526	1	HITCH PIN
6	539105059	1	LANYARD
7	539102641	4	LIFT CHAIN
8	539104321	1	ADJ. PLATE WLDMT.
9	539104530	4	DECK LIFT SPACER
10	539104323	1	ADJ. PLATE PAINTED
11	539990637	1	HCS 3/8C X 2.5
12	539976989	1	# 4 HAIR PIN
13	539990629	3	HCS 3/8C X 2.25
14	539102515	1	GRIP
15	539108322	1	LEVER WLDMT.
16	539105050	2	LIFT LINKAGE
17	539101232	2	FLANGE BUSHING
18	539104761	1	ZERK - LONG
19	539108354	1	LIFT SHAFT, REAR
20	539976982	4	5/8 SAE WASHER
21	539990654	4	COTTER PIN
22	539104808	8	PILLOW BLOCK
23	539104807	4	SUPPORT PLATE
24	539991046	8	HCS 5/16C X 2.5
25	539108355	1	LIFT SHAFT, FRONT
26	539990184	11	NUT 5/16C CTR. LOCK
27	539101982	3	EYE BOLT
28	539990585	3	5/16C WHIZ NUT
29	539104760	3	DECK LIFT SPRING
30	539101050	1	GRIP
31	539104523	1	PIN
32	539103534	1	PIN MT.,UPPER
33	539101058	1	SPRING
34	539923787	1	MACH. BUSHING
35	539990761	2	NUT 1/4C CTR. LOCK
36	539101082	1	3/16 X 1 ROLL PIN
37	539990580	2	HCS 1/4C X 3/4
38	539101802	1	7/8 E - RING
39	539104310	2	CONN. LINK

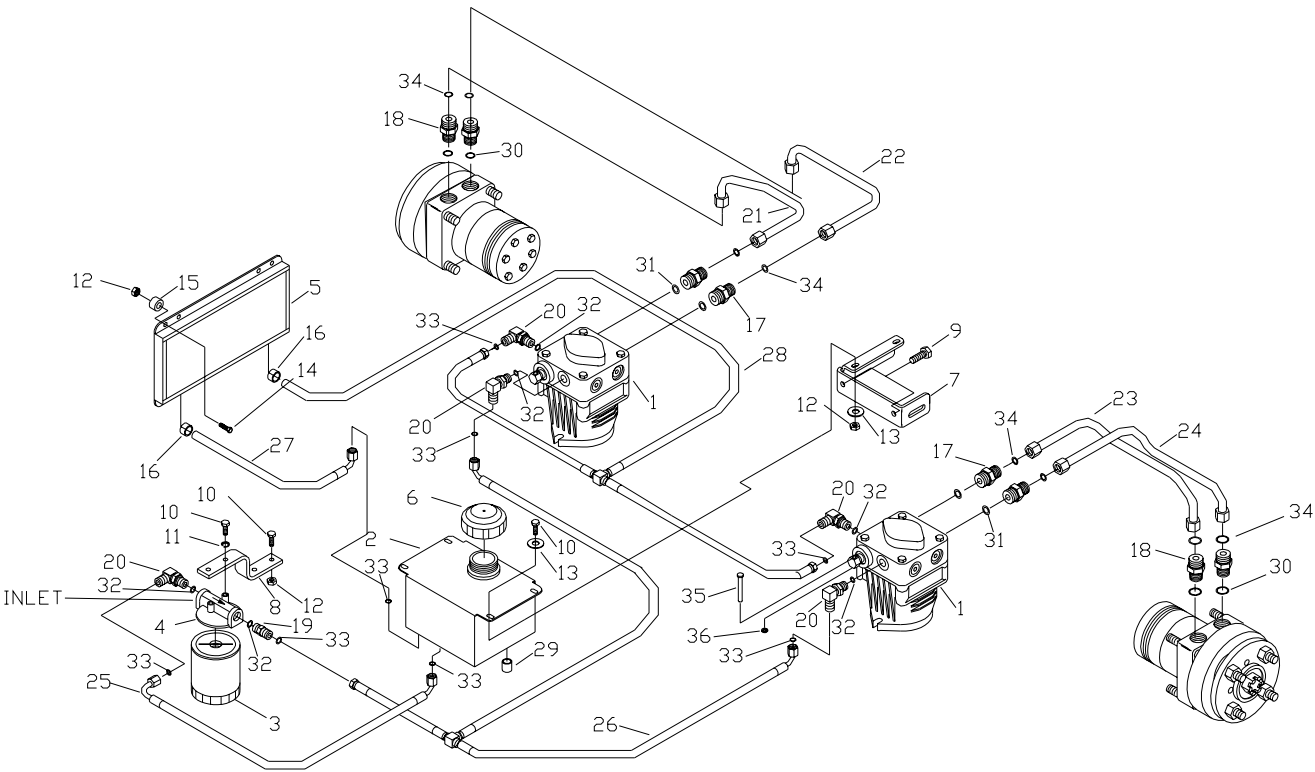
PARK BRAKE ASSEMBLY



PARK BRAKE ASSEMBLY

ITEM	PART NO.	QTY.	DESCRIPTION	ITEM	PART NO.	QTY.	DESCRIPTION
1	539990580	2	HCS 1/4C X 3/4	22	539990258	8	NUT 1/2C
2	539990118	2	LOCKWASHER, 3/8	23	539990254	8	1/2 LOCK WASHER
3	539102843	4	WASHER 7/16 SPRING	24	539102454	4	E - RING 3/4
4	539990598	1	1/4 FLAT WASHER	25	539106791	2	HCS 3/8 X 1.0 GD. 8
5	539106523	1	ARM, PARK BRAKE	26	539990365	8	COTTER PIN
6	539102519	2	BUSHING	27	539105303	1	BRAKE LINKAGE LT.
7	539101331	8	NUT 1/2C NYLOC	539105302	1	BRAKE LINKAGE RT.
8	539101332	8	HCS 1/2C X 2.75	28	539104984	2	HCS 3/8F SPECIAL
9	539104327	2	MOTOR STANDOFF	29	539105040	2	BELLCRANK
10	539990622	8	HCS 1/2C X 1.25	30	539105044	2	BRONZE BEARING
11	539104417	2	WHEEL MOTOR	31	539102821	2	TRUNION PIN
12	539105278	2	WOODRUFF KEY	32	539104986	2	SPRING
13	539102415	2	HUB W/ BRAKE DRUM	33	539990122	6	3/8 SAE WASHER
14	539990297	2	COTTER PIN	34	539990155	4	NUT 3/8F
15	539105277	2	CASTLE NUT	35	539977465	2	YOKE
16	539105978	2	REAR TIRE ASSEMBLY, 52" (CENTER RIM)	36	539977703	2	3/8 X 1.125
.....	539105152	1	TIRE	37	539104351	1	BRAKE LEVER WLDMT.
.....	539105153	1	RIM, 52" (CENTER)	38	539102519	2	BUSHING
.....	539912234	1	AIR VALVE	39	539105036	1	GRIP
.....	539105486	2	REAR TIRE ASSEMBLY, 61" (OFFSET RIM)	40	539990372	2	1/4C LOCK NUT
.....	539105487	1	RIM, 61" (OFFSET)	41	539991050	2	MACH. BUSHING 3/4
17	539101173	8	LUG NUT 1/2F	42	539105029	1	BRACKET
18	539102455	2	3/8 X 1.50 CLEVIS PIN	43	539104346	1	LEFT BRAKE BKT.
19	539102822	2	BRAKE BAND	539104547	1	RIGHT BRAKE BKT.
20	539106793	2	SUPPORT BRACKET	44	539976998	2	ZERK
21	539106794	2	BAND PIVOT	45	539103547	2	WASHER
				46	539102717	1	SET SCREW, 5/16 X .625
				47	539106528	1	KEY, 1/4 X .875

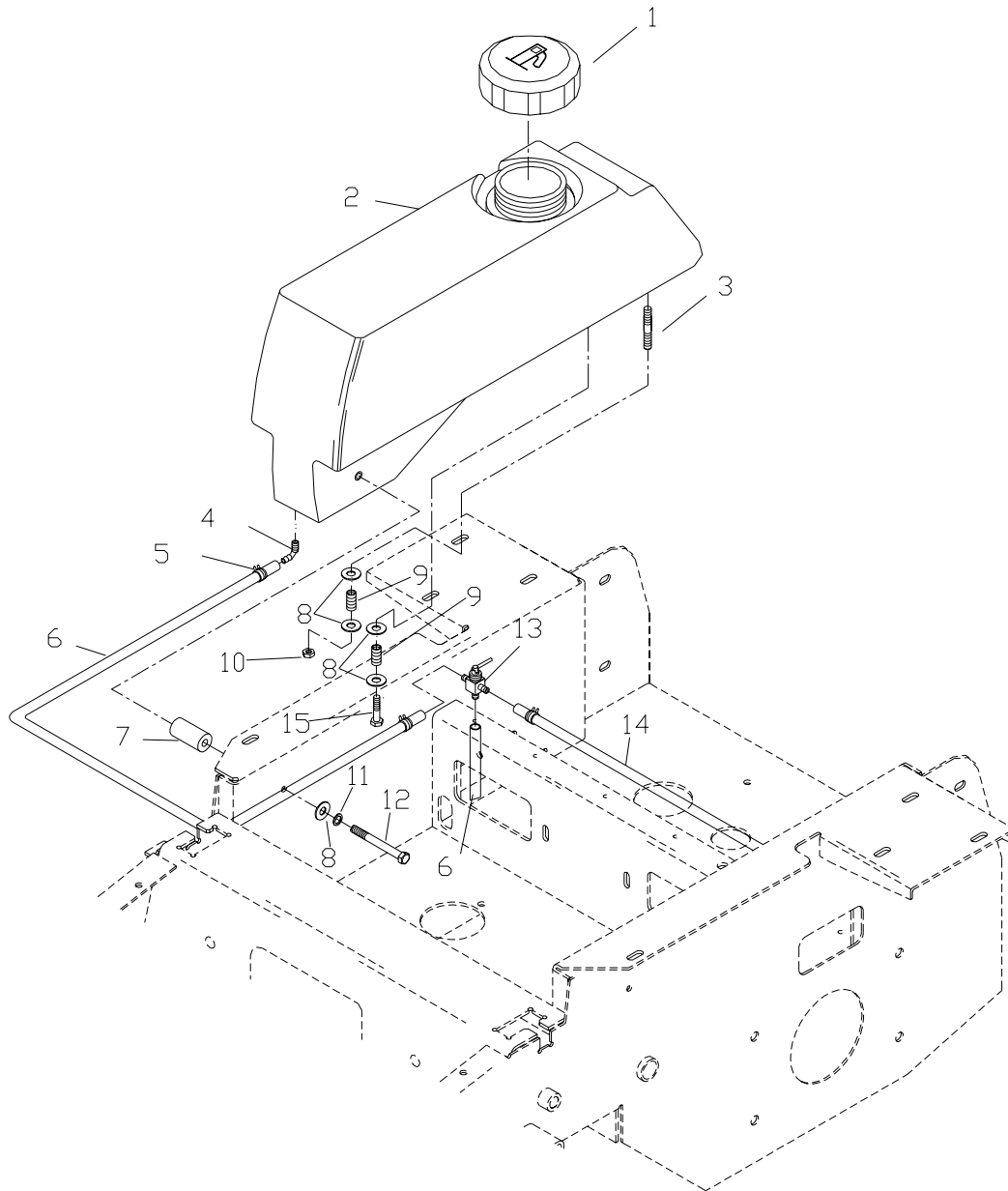
HYDRAULIC SYSTEM ASSEMBLY



HYDRAULIC SYSTEM ASSEMBLY

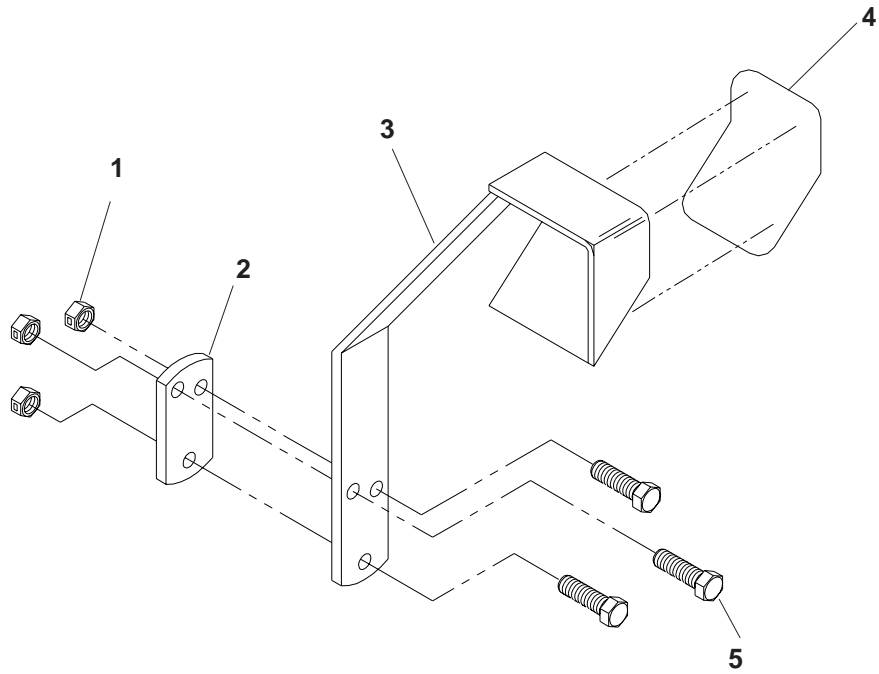
ITEM	PART NO.	QTY.	DESCRIPTION
1	539104529	2	PUMP
2	539105024	1	OIL TANK
3	539102606	1	FILTER
4	539101165	1	FILTER HEAD
5	539105167	1	COOLER
6	539101202	1	HYD. CAP
7	539105027	1	TANK MOUNT LT.
	539105026	1	TANK MOUNT RT.
8	539105028	1	FILTER BRACKET
9	539976934	4	HCS 5/16 X 3/4
10	539990580	8	HCS 1/4C X 3/4
11	539990052	2	1/4 LOCK WASHER
12	539990372	10	1/4 LOCK NUT
13	539990598	8	1/4 FLAT WASHER
14	539990892	4	HCS 1/4C X 2.25
15	539923515	4	SPACER
16	539976966	2	HOSE CLAMP
17	539101237	4	F6400-8-8-0
18	539102396	4	STR. FITTING
19	539103316	1	F6400-6-6-0
20	539101238	5	F6801-6-6-0
21	539106067	1	HYD. HOSE
22	539106067	1	HYD. HOSE
23	539106067	1	HYD. HOSE
24	539106067	1	HYD. HOSE
25	539104722	1	7" TUBE
26	539104723	1	"T" ASM
27	539104896	1	HOSE
28	539105154	1	"T" ASM
29	539105168	1	CAP
30	539103115	4	3/4 "O" RING
31	539103116	4	1/2 "O" RING
32	539103117	6	3/8 "O" RING
33	539103118	8	3/8 "O" RING FLARE
34	539103119	8	3/8 "O" RING FLARE
35	539102233	2	CLEVIS PIN
36	539102234	2	PUSH NUT
37	539102685	1	HOSE CLAMP (NOT SHOWN)

FUEL ASSEMBLY



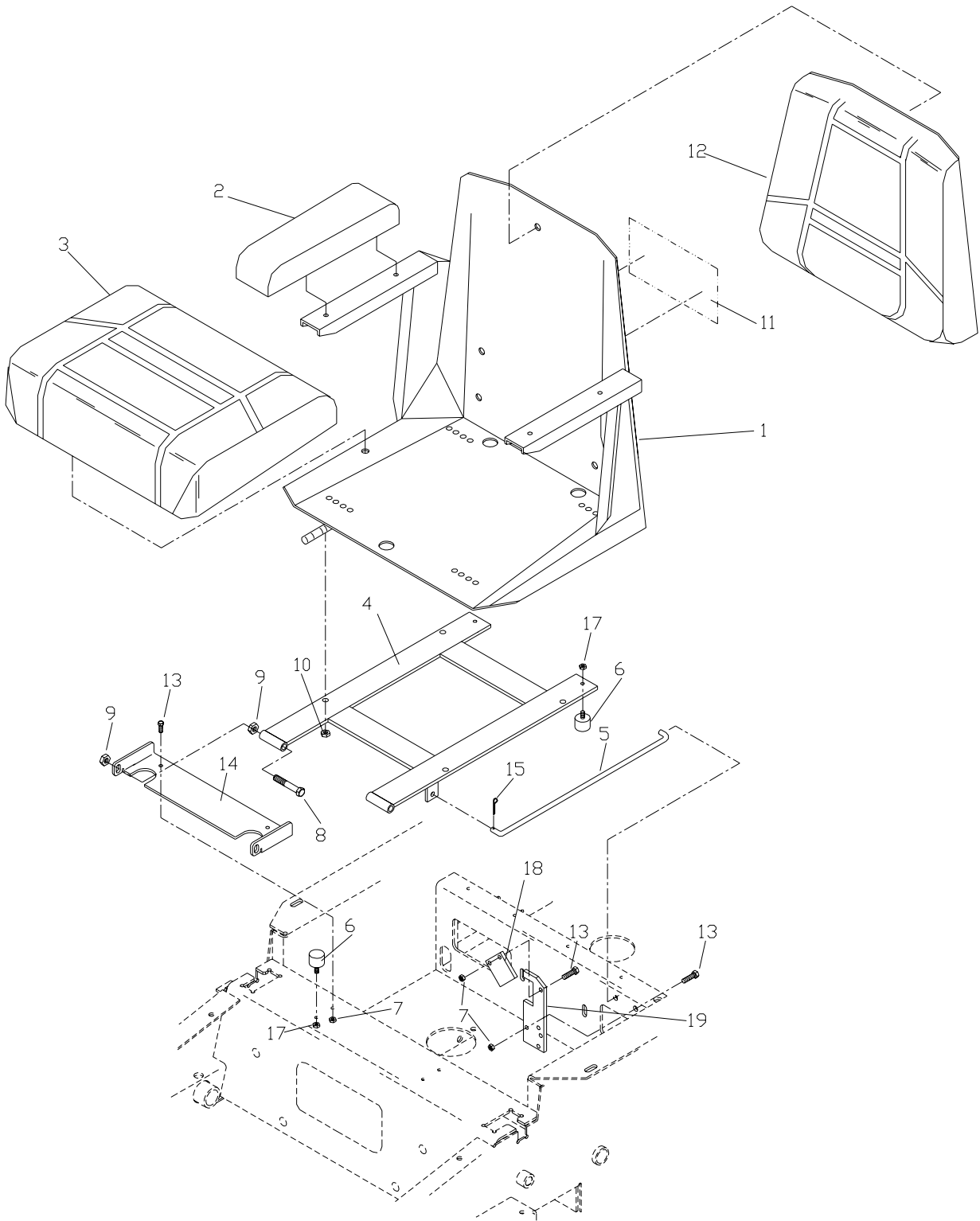
- | | | | | | | |
|----|-------|-----------|-------|----|-------|-------------------|
| 1 | | 539107598 | | 2 | | FUEL CAP |
| 2 | | 539104410 | | 1 | | RT. FUEL TANK |
| | | 539104409 | | 1 | | LT. FUEL TANK |
| 3 | | 539102502 | | 6 | | STUD |
| 4 | | 539102650 | | 2 | | 90 DEG. HOSE BARB |
| 5 | | 539912222 | | 6 | | HOSE CLAMP |
| 6 | | 539922091 | | 2 | | FUEL LINE |
| 7 | | 539104897 | | 2 | | TANK SPACER |
| 8 | | 539990692 | | 18 | ... | 5/16 FLAT WASHER |
| 9 | | 539102845 | | 8 | | SPRING |
| 10 | | 539990184 | | 8 | | 5/16C LOCKNUT |
| 11 | | 539990187 | | 2 | | 5/16 LOCK WASHER |
| 12 | | 539102335 | | 2 | | HCS 5/16C X 4 |
| 13 | | 539102679 | | 1 | | FUEL VALVE |
| 14 | | 539105280 | | 1 | | FUEL LINE |
| 15 | | 539990209 | | 2 | | HCS 5/16C X 1 |

FOOT PEDAL



ITEM	PART NO.	QTY.	DESCRIPTION
1	539976979	3	NUT, 3/8C, NYLOC
2	539105184	1	PLATE, TIGHTING
3	539105181	1	PEDAL, LIFT
4	539105187	1	PAD, ANTI-SKID
5	539990655	3	HCS 3/8C X 1 1/2

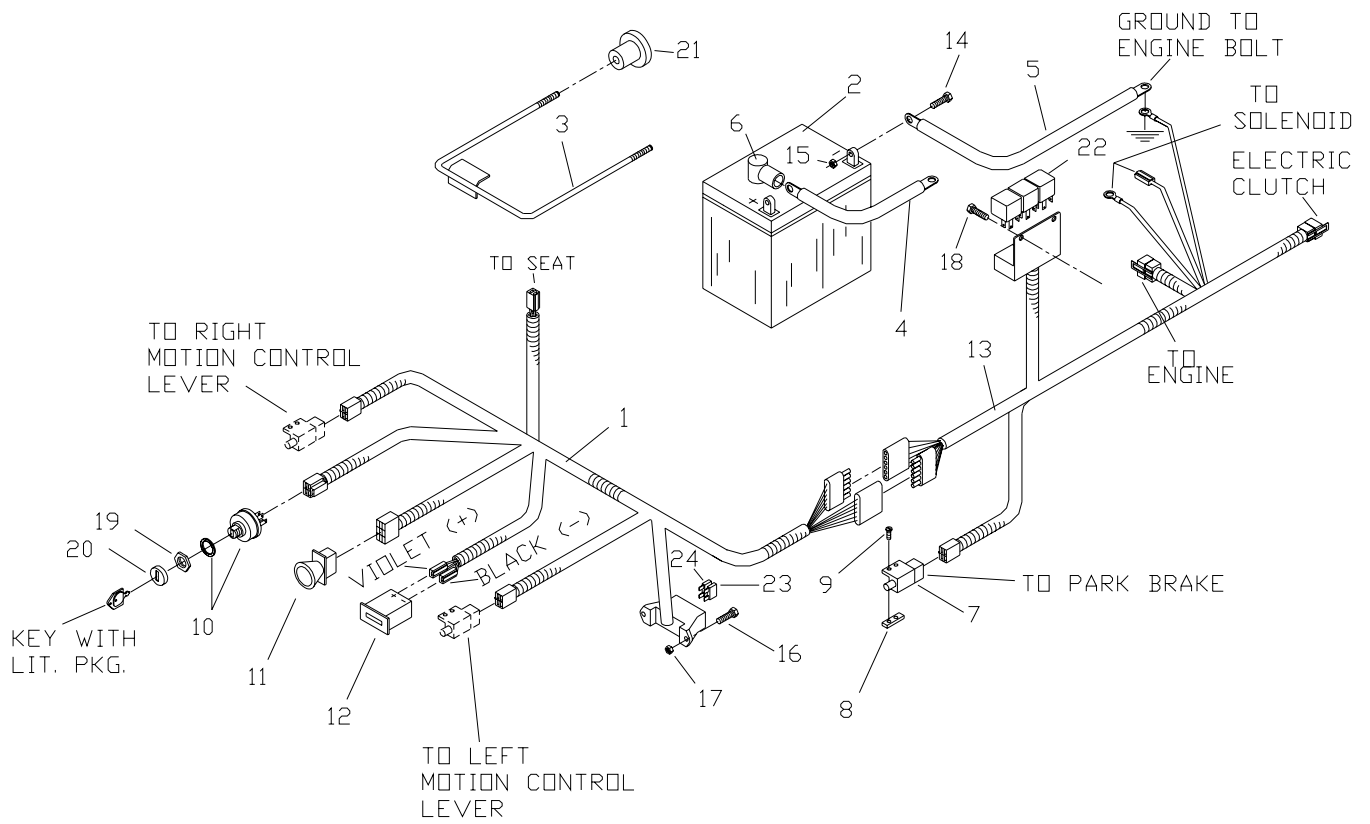
SEAT ASSEMBLY



SEAT ASSEMBLY

ITEM	PART NO.	QTY.	DESCRIPTION
1	539108715	1	SEAT, COMPLETE
2	539108717	1	ARM REST, RIGHT
	539180716	1	ARM REST, LEFT (NOT SHOWN)
3	539108718	1	SEAT CUSHION W/SWITCH
4	539105951	1	SEAT MOUNT/W DECAL
5	539104525	1	SEAT ROD
6	539105039	4	STUD / PLATE MOUNT
7	539990372	5	1/4C LOCKNUT
8	539101341	2	HCS 3/8C X 3
9	539990546	4	NUT 3/8C CTR. LOCK
10	539990184	4	NUT 5/16C CTR. LOCK
11	539104787	1	DECAL, HUSQVARNA
12	539108719	1	SEAT BACK
13	539990580	5	HCS 1/4C X 3/4
14	539105938	1	SEAT BKT. W/DECAL EURO
15	539990365	1	COTTER PIN
16	539105294	1	SEAT RAILS (NOT SHOWN)
17	539976978	4	NUT 1/4C NYLOC
18	539102917	1	SEAT LATCH
19	539105962	1	SEAT LATCH MOUNT
	539108745	1	SEAT SWITCH (NOT SHOWN)

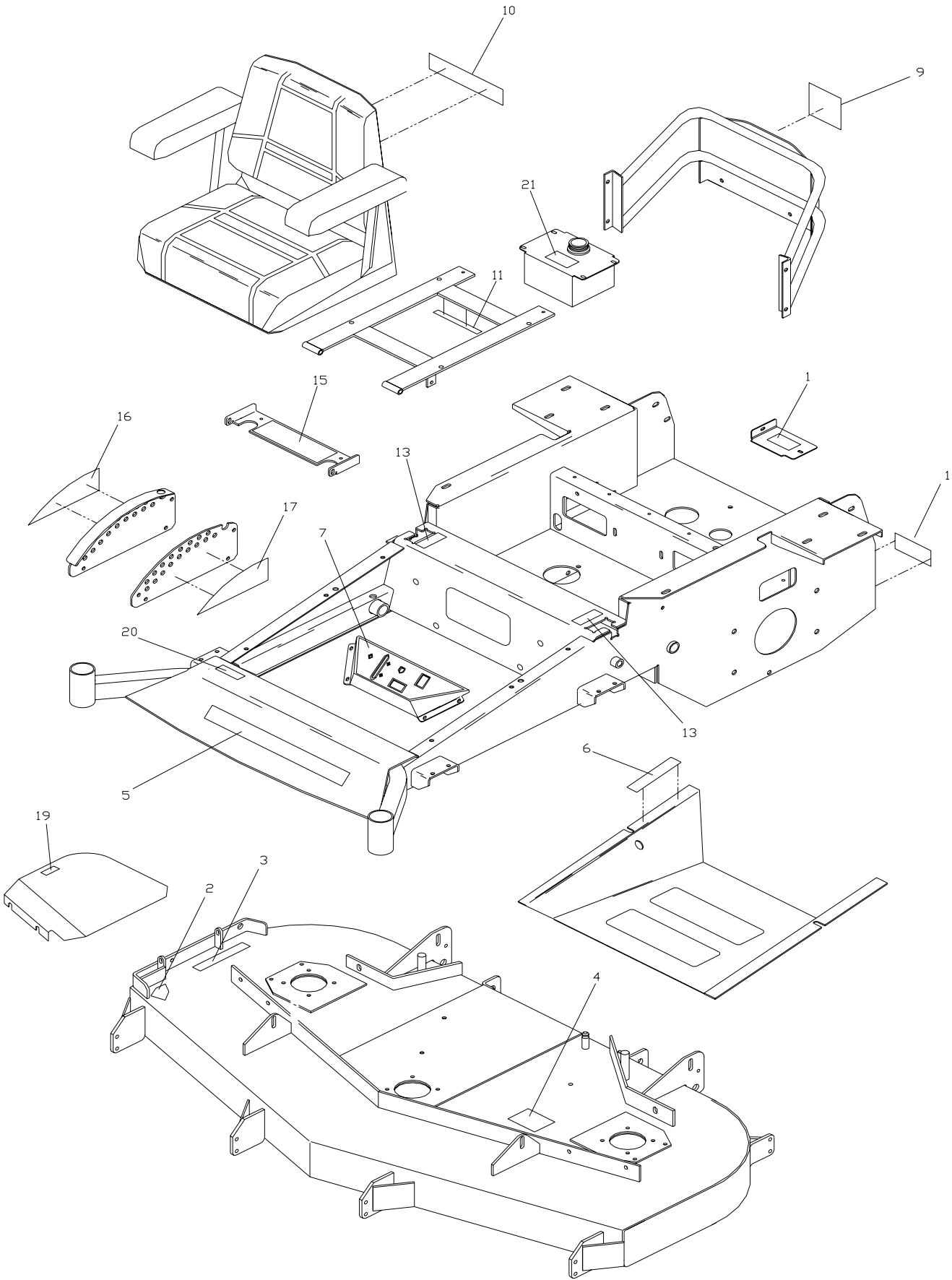
WIRING ASSEMBLY



WIRING ASSEMBLY

ITEM	PART NO.	QTY.	DESCRIPTION
1	539104414	1	CONSOLE HARNESS
2	539102463	1	12V BATTERY
3	539104344	1	BATTERY HOLD DOWN
4	539104974	1	POSITIVE CABLE
5	539102758	1	NEGITIVE CABLE
6	539102759	2	INSULATOR
7	539101080	1	INTERLOCK SWITCH
8	539102678	1	TAPPED PLATE
9	539976952	2	#10-24 X 5/8
10	539101770	1	IGNITION SWITCH
11	539101768	1	BLADE SWITCH
12	539108016	1	HOUR METER
13	539104964	1	FRAME HARNESS
14	539976934	2	HCS 5/16C X 3/4
15	539990184	2	NUT 5/16C CTR. LOCK
16	539102617	2	#10-24 X 7/8 SCREW
17	539976977	2	#10-24 HEX NYLOC NUT
18	539991034	2	SELF TAPPING SCREW
19	539103177	1	NUT IGN. SWITCH
20	539103178	1	CAP, IGN. SWITCH
21	539105169	2	KNOB
22	539102914	3	RELAY
23	539101771	1	7.5 AMP 32V ATO FUSE
24	539102086	1	20.0 AMP 32V ATO FUSE

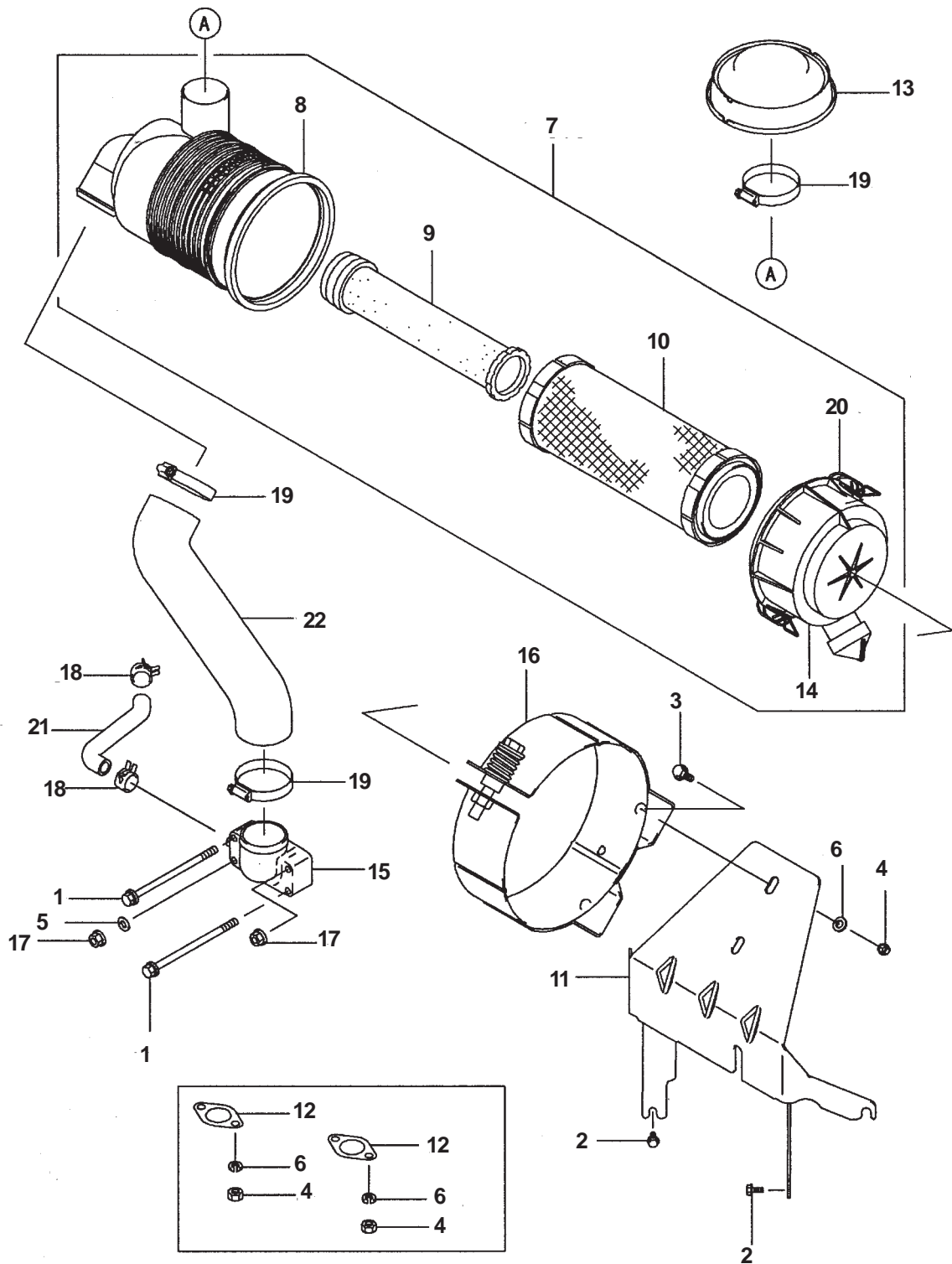
DECAL PLACEMENT ASSEMBLY



DECAL PLACEMENT ASSEMBLY

ITEM	PART NO.	QTY.	DESCRIPTION
1	539105744	2	DECAL, BELT DRIVES
2	539913010	1	DECAL, DANGER CSPC
3	539105746	1	DECAL, WARNING
4	539105012	1	DECAL, BELT ROUTING
5	539104790	1	DECAL, HUSQVARNA
6	539105829	1	DECAL, CE/SOUND POWER
7	539106483	1	DECAL, CONSOLE
8	539100128	1	DECAL, EXHAUST
9	539105803	1	DECAL, CROWN LARGE
10	539104787	1	DECAL, HUSQVARNA
11	539105745	1	DECAL, BATTERY
13	539103333	2	DECAL, MOTION CONTROL
15	539105785	1	DECAL, EURO WARNING
16	539106065	1	DECAL, HEIGHT
17	539106066	1	DECAL, HEIGHT
19	539105743	2	DECAL, NO STEP
20	539105071	1	DECAL, NASCAR
21	539105321	2	DECAL, 5223
	539105324	2	DECAL, 6125
22	539105301	1	DECAL, MOBIL 1

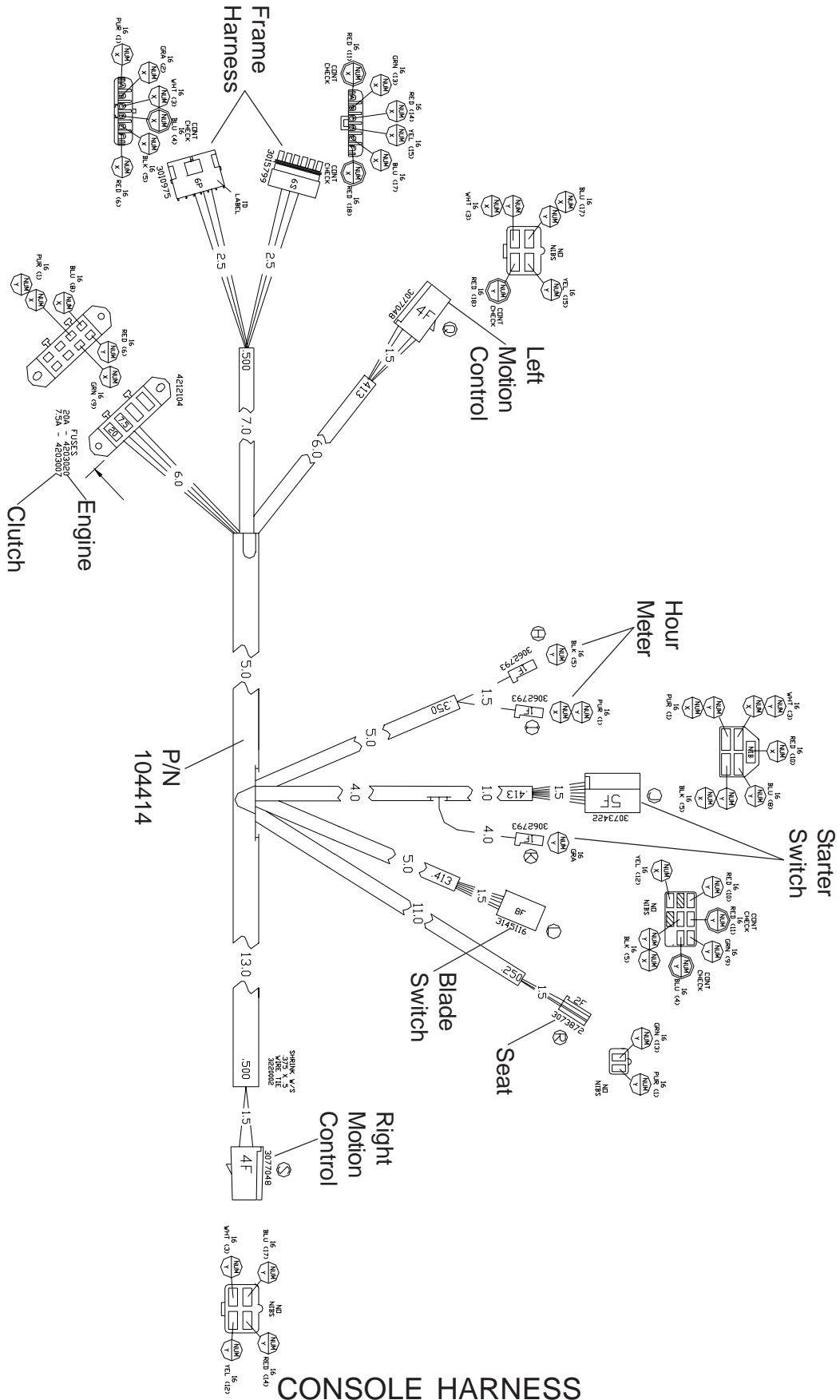
HEAVY DUTY AIR FILTER



HEAVY DUTY AIR FILTER

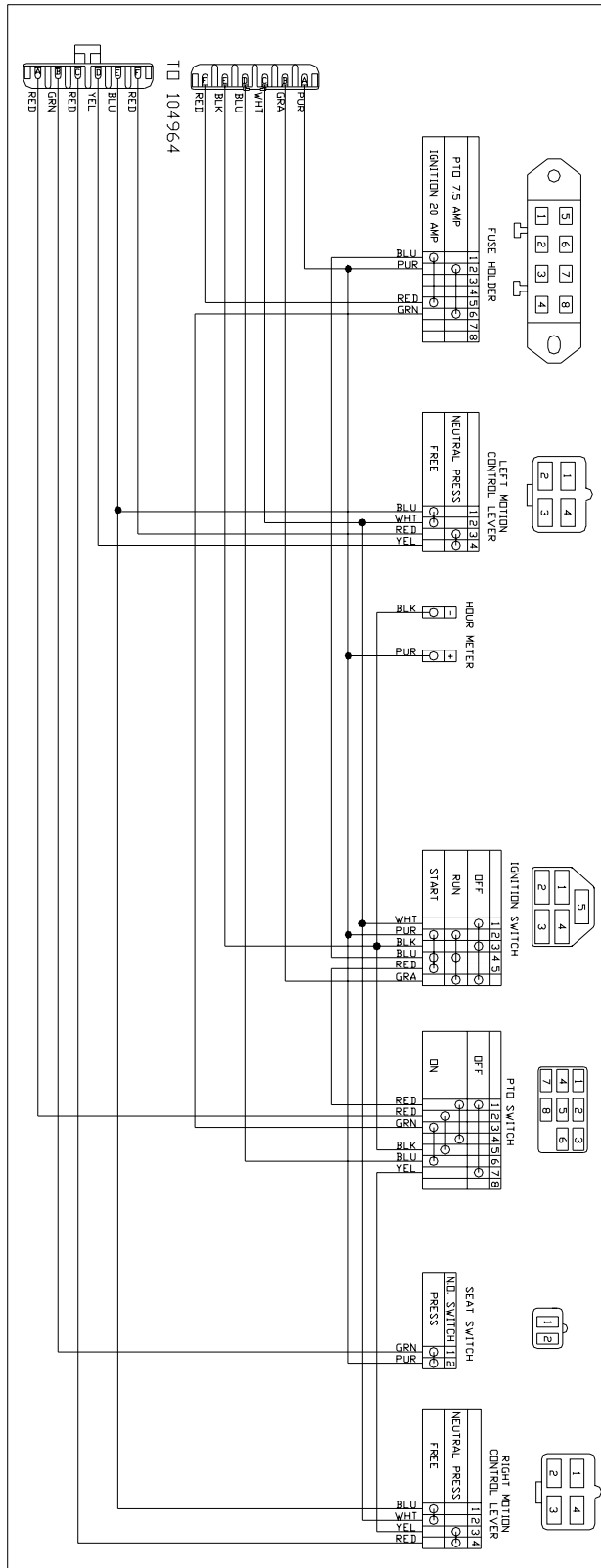
ITEM	PART NO.	QTY.	DESCRIPTION
1	535414263	2	BOLT, FLANGED
2	725236661	2	BOLT, FLANGED
3	535414268	2	BOLT, FLANGED
4	535414363	6	NUT, HEX, SMALL
5	535414368	1	WASHER, PLAIN
6	535414372	6	WASHER, SPRING
7	535466418	1	AIR FILTER ASSY.
8	535466419	1	AIR FILTER CASE
9	535466420	1	AIR FILTER ELEMENT
10	535466421	1	AIR FILTER ELEMENT
11	535466422	1	BRACKET
12	535466423	2	MUFFLER GASKET
13	535466424	1	CAP
14	535466425	1	CAP
15	535466426	1	INTAKE PIPE
16	535466427	1	BRACKET COMPL.
17	535414536	2	NUT
18	535414444	2	CLAMP
19	535466428	3	CLAMP
20	535466429	2	CLAMP
21	535414498	1	TUBE
22	535466430	1	TUBE

WIRING DIAGRAM



CONSOLE HARNESS

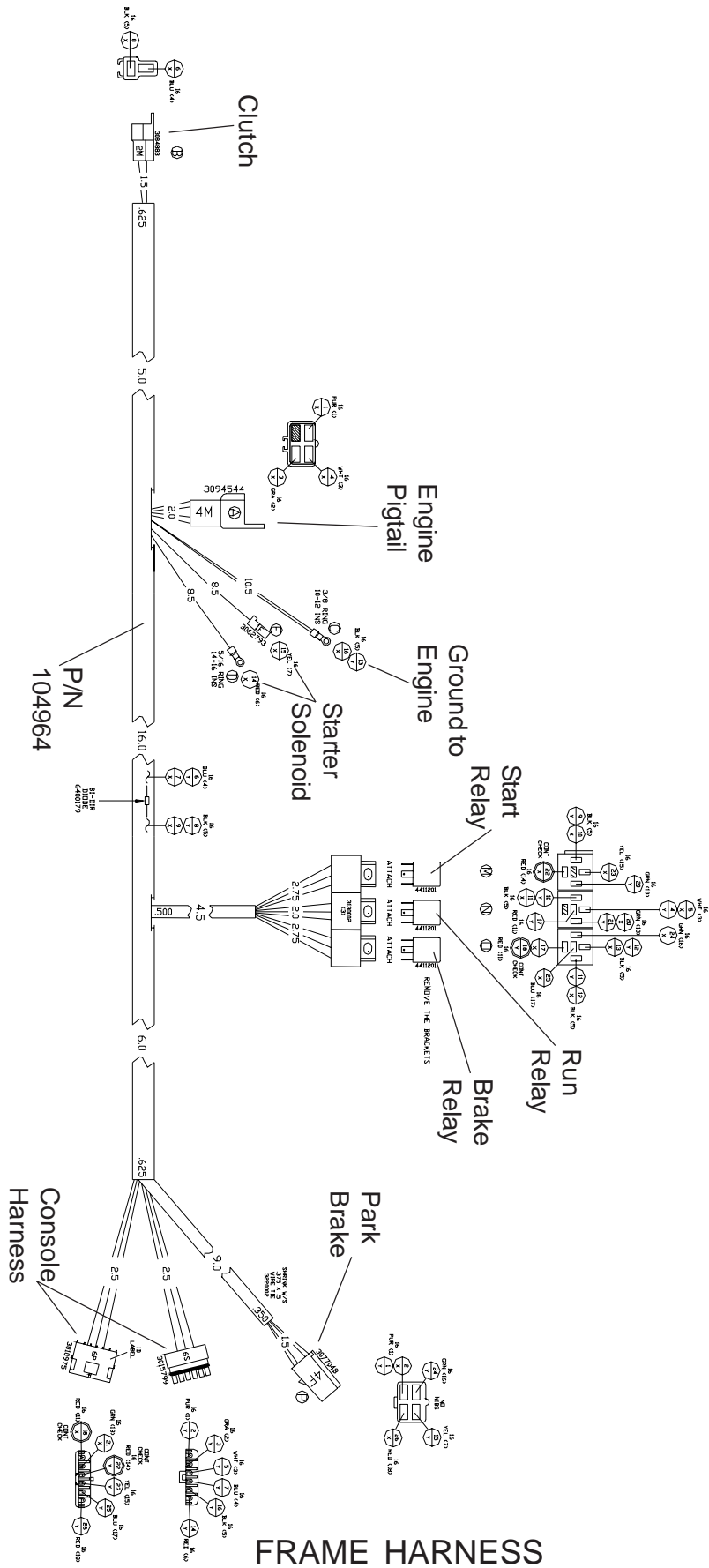
WIRING DIAGRAM



104414
CONSOLE HARNESS

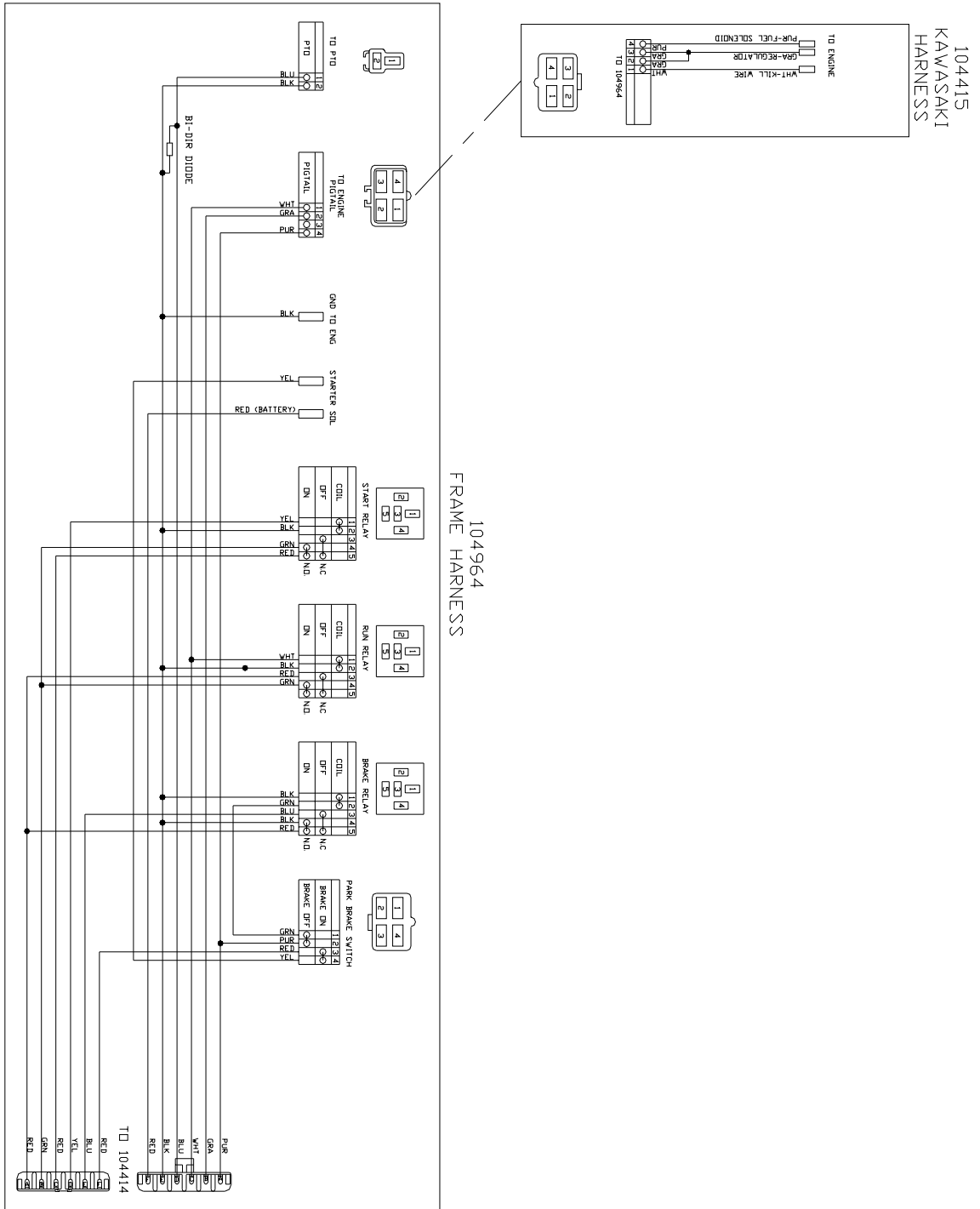
CONSOLE HARNESS SCHEMATIC

WIRING DIAGRAM



FRAME HARNESS

WIRING DIAGRAM



FRAME HARNESS