

iZE4218

iZE4821

Spare parts

Ersatzteile

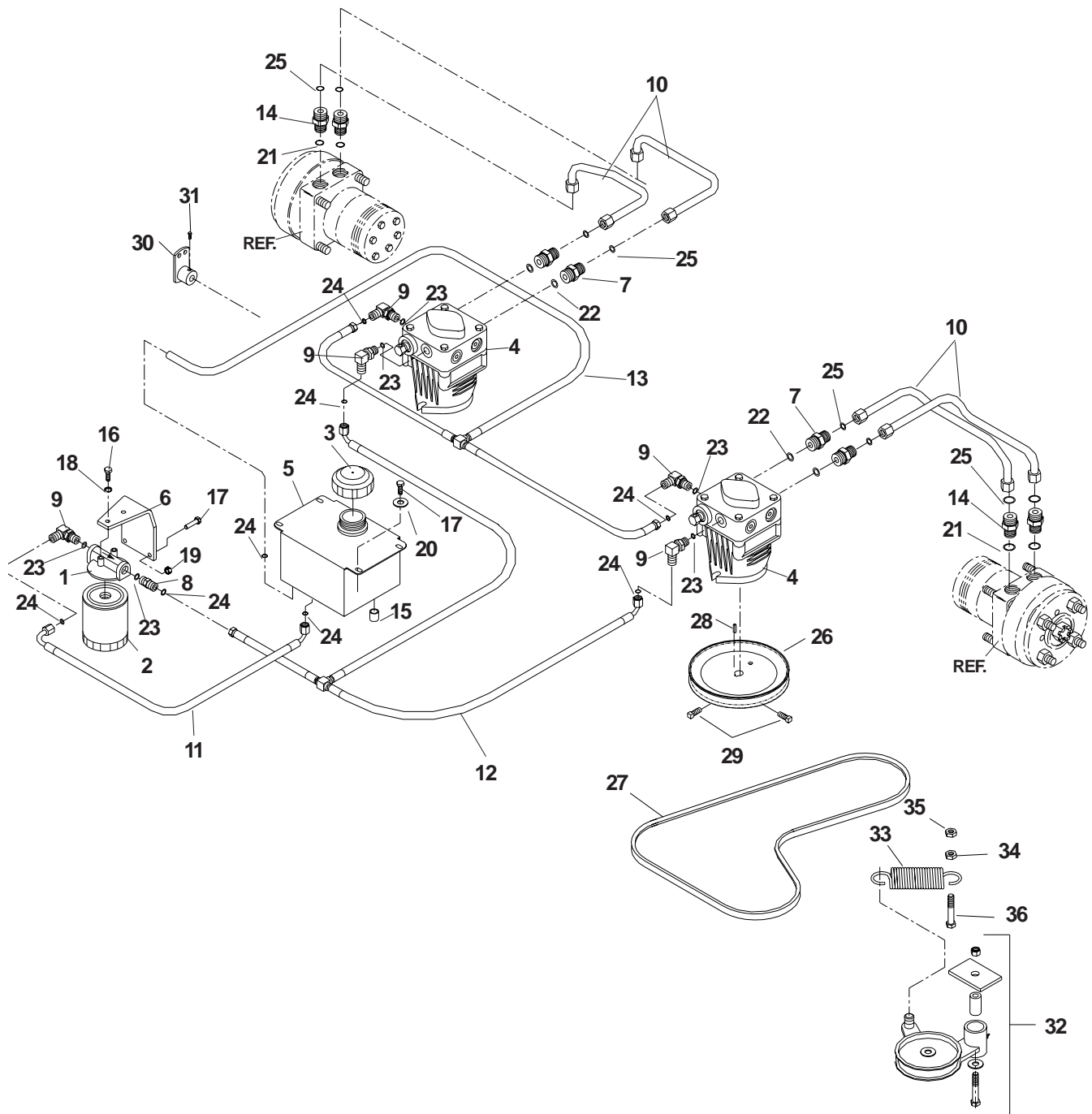
Pièces détachées

Reserve onderdelen

Repuestos

Reservdelar

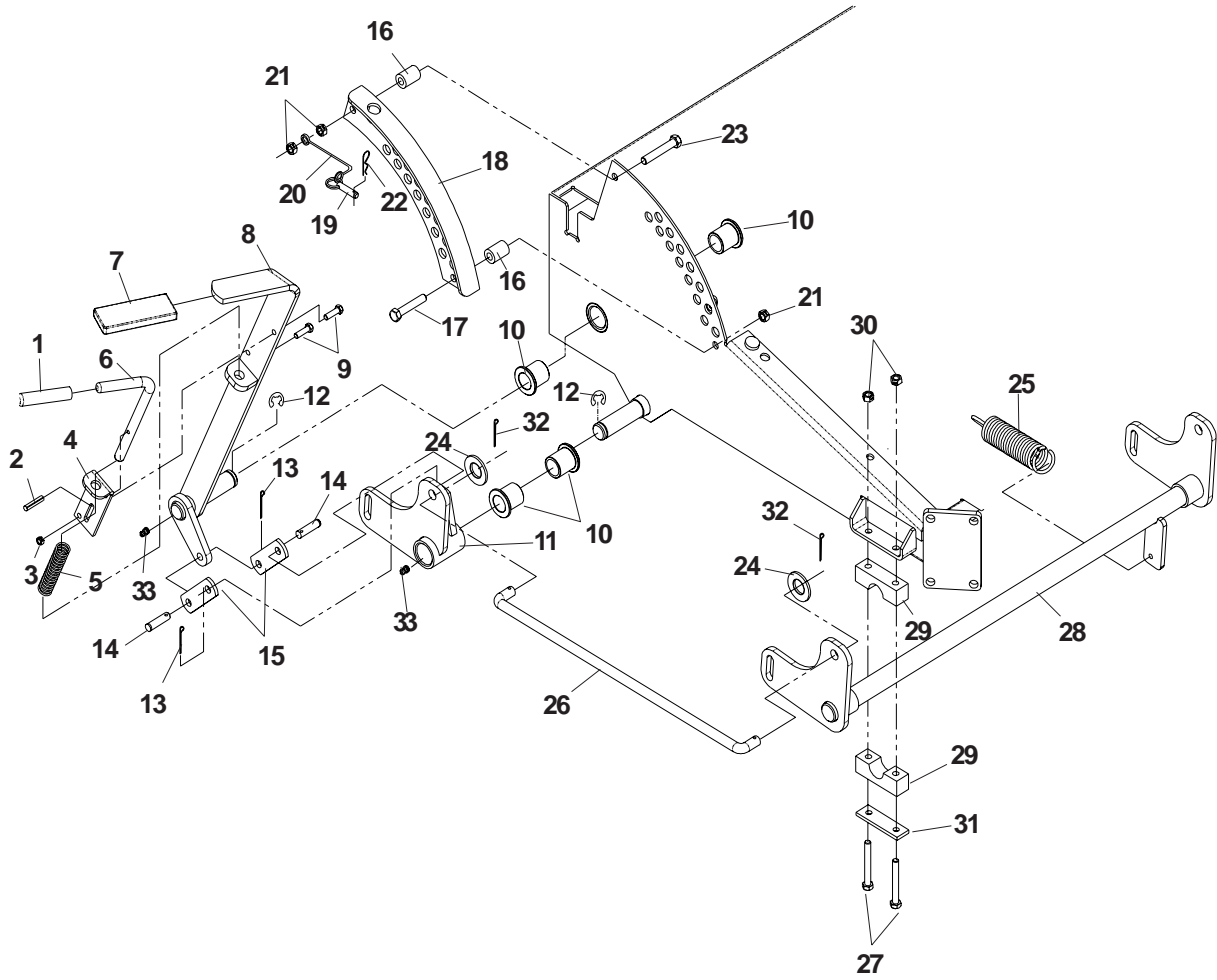
HYDRAULIC ASSEMBLY (TF)



HYDRAULIC ASSEMBLY (TF)

ITEM	PART NO.	QTY.	DESCRIPTION
1	539101165	1	FILTER HEAD
2	539102606	1	FILTER
3	539101202	1	CAP HYDRAULIC RESERVOIR
4	539107749	2	PUMP
5	539105024	1	TANK
6	539106933	1	BRACKET, OIL FILTER
7	539101237	4	FITTING, STRAIGHT, F6400-8-8-0
8	539103316	1	FITTING, F6400-6-6-0
9	539101238	5	FITTING, 90°, F6801-6-6-0
10	539106896	4	HYDRAULIC LINE
11	539104722	1	HOSE, 7"
12	539106895	1	"T" ASSEMBLY
13	539106897	1	"T" ASSEMBLY
14	539102396	4	FITTING, STRAIGHT
15	539105168	1	CAP
16	539990072	2	HCS 1/4C X 5/8
17	539990580	6	HCS 1/4C X 3/4
18	539990052	2	LOCKWASH, 1/4
19	539976978	8	NUT, 1/4C, NYLOC
20	539990598	8	WASHER, 1/4, FLAT
21	539103115	4	"O" RING, 3/4
22	539103116	4	"O" RING, 1/2
23	539103117	6	"O" RING, 3/8
24	539103118	8	"O" RING FLARE, 3/8
25	539103119	8	"O" RING FLARE, 1/2
26	539101176	1	PULLEY, PUMP
27	539106887	1	BELT, PUMP
28	539101177	2	KEY, 5MM SQ X 25MM
29	539102717	4	SET SCREW, 5/16C X 5/8
30	539104382	2	PUMP LEVER
31	539105079	2	V-POINT, 5/16C X 5/8
32	539104408	1	IDLER ARM ASSEMBLY
33	539103256	1	SPRING
34	539990613	1	NUT, 3/8C, WHIZ
35	539976979	1	NUT, 3/8C, NYLOC
36	539990588	1	HCS 3/8C X 2

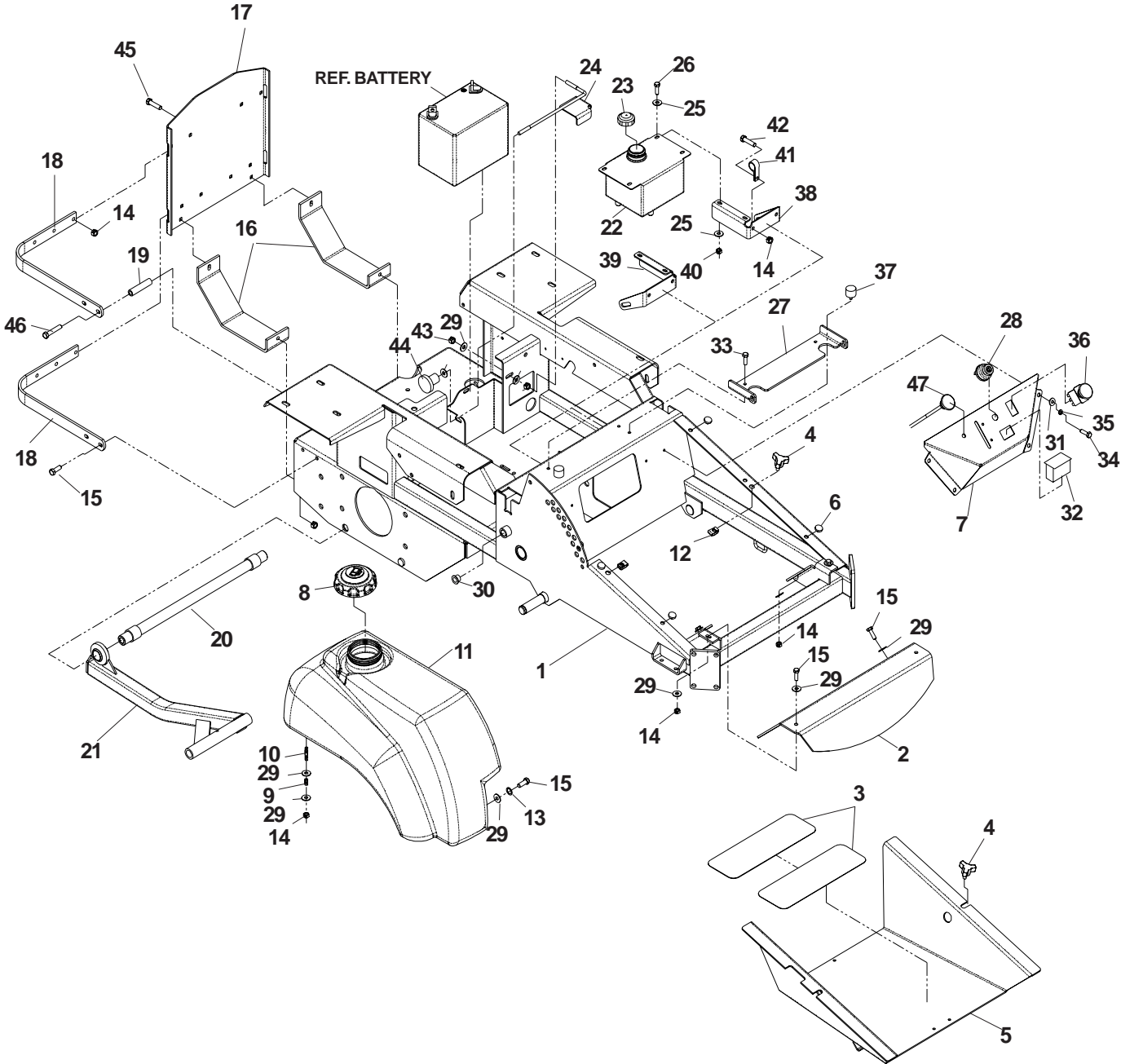
DECK LIFT ASSEMBLY



DECK LIFT ASSEMBLY

ITEM	PART NO.	QTY.	DESCRIPTION
1	539101050	1	GRIP
2	539106532	1	GROOVED PIN
3	539990761	2	NUT1/4C CENTER LOCK
4	539103534	1	PIN MT, UPPER
5	539101058	1	SPRING
6	539103533	1	PIN
7	539102515	1	GRIP
8	539108862	1	LEVER WLDMT
9	539990580	2	HCS 1/4C X 3/4
10	539101232	6	FLANGED BUSHING
11	539107032	1	BELLCRANK WLDMT - RT
	539107031	1	BELLCRANK WLDMT - LT - NOT SHOWN
12	539101802	3	7/8 'E' RING
13	539990365	6	COTTER PIN, 1/8 X 3/4
14	539977703	2	CLEVIS PIN, 3/8 X 1 1/8
15	539102565	2	LIFT ARM
16	539103543	2	SPACER
17	539990588	1	HCS 3/8C X 2
18	539106976	1	ADJUSTMENT PLATE
19	539102526	1	HITCH PIN
20	539105059	1	LANYARD
21	539976979	3	NUT 3/8C NYLOC
22	539976989	1	HAIRPIN, #4
23	539990637	1	HCS 3/8C X 2 1/2
24	539991043	4	BUSHING, 5/8 MACH.
25	539102642	1	SPRING
26	539106891	2	DECK LIFT LINK
27	539101721	4	HCS 5/16C X 2 3/4
28	539108349	1	LIFT WLDMT
29	539104808	4	LIFT BLOCK
30	539990717	4	NUT 5/16C NYLOC
31	539104807	2	REINF. PLATE
32	539990654	4	COTTER PIN, 5/32 X 1 1/4
33	539101474	3	ZERK

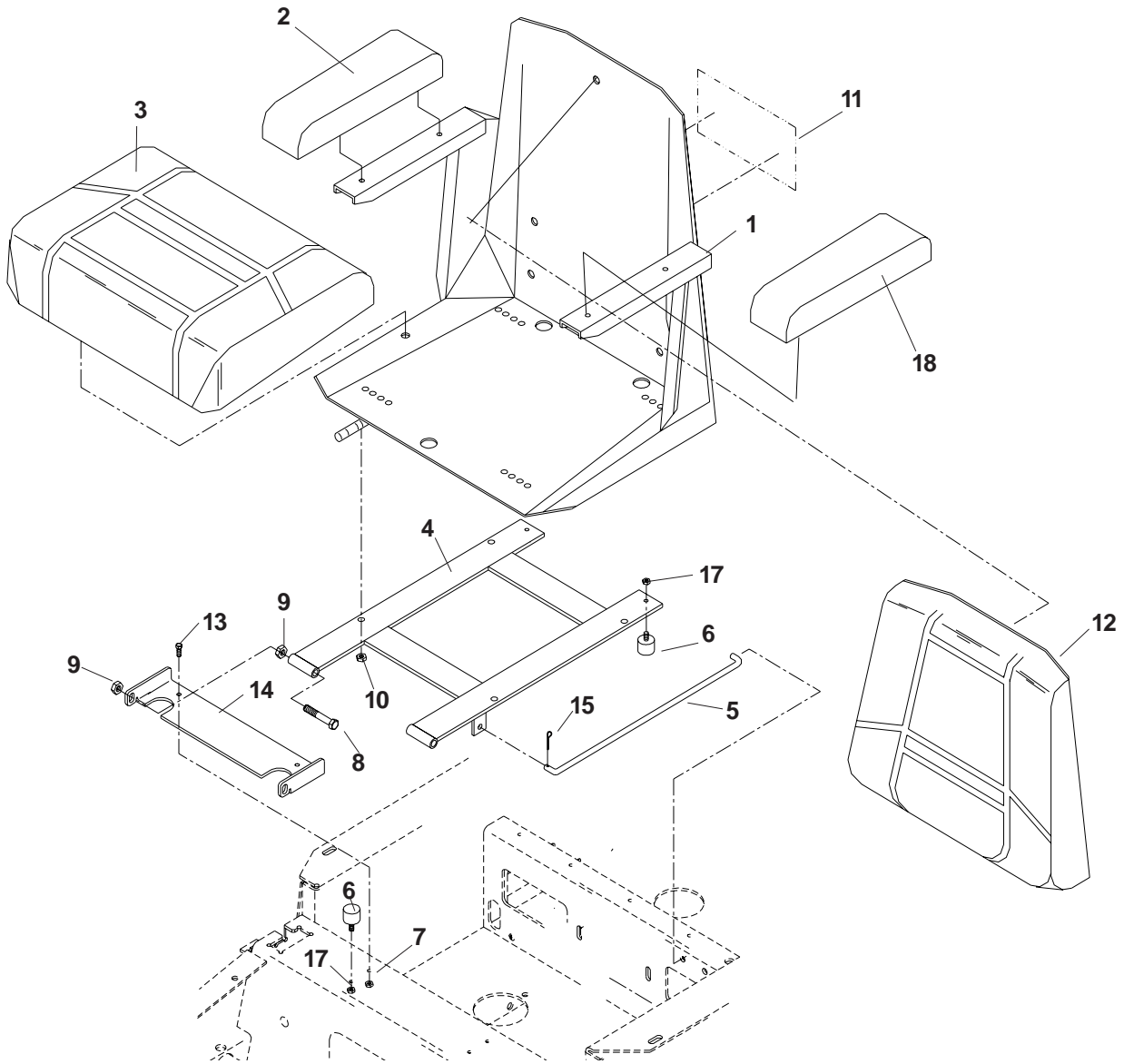
MAIN FRAME ASSEMBLY



MAIN FRAME ASSEMBLY

ITEM	PART NO.	QTY.	DESCRIPTION	ITEM	PART NO.	QTY.	DESCRIPTION
1	539109285	1	FRAME W/DECALS	31	539990598	12	WASHER, 1/4, FLAT
2	539106941	1	FOOT REST	32	539108016	1	HOUR METER
3	539977778	3	ANTI-SKID PAD	33	539990580	10	HCS 1/4C X 3/4
4	539104411	2	KNOB W/STUD	34	539990362	4	TFS 1/4C X 5/8
5	539106954	1	FOOT PLATE	35	539990052	6	LOCKWASHER, 1/4
6	539102587	5	BUMPER	36	539101768	1	BLADE SWITCH
7	539104996	1	CONSOLE WLDMT.	37	539105039	4	STUD/PLATE MOUNT
8	539107598	2	FUEL CAP	38	539106931	1	TANK MOUNT, RIGHT
9	539102845	8	SPRINGER	39	539106929	1	TANK MOUNT, LEFT
10	539102502	6	STUD	40	539976978	14	NUT, 1/4C, NYLOC
11	539104410	1	FUEL TANK, RIGHT	41	539102685	1	LOOM CLIP
	539104409	1	FUEL TANK, LEFT (NOT SHOWN)	42	539976934	8	HCS 5/16C X 3/4
12	539104763	2	"U" CLIP, 5/16C	43	539990184	8	LOCKNUT, 5/16C
13	539990187	2	LOCKWASHER, 5/16	44	539105169	2	KNOB
14	539990717	14	NUT, 5/16C, NYLOC	45	539107271	10	RHSSNB 5/16 X 1
15	539990209	6	HCS 5/16C X 1	46	539102335	1	HCS 5/16C X 4
16	539106957	2	SKID PLATE	47	539102733	1	CHOKE CONTROL
17	539106959	1	ENGINE GUARD		539105281	1	HOSE, FUEL (TO ENGINE)
18	539106961	4	STRAP				(NOT SHOWN)
19	539106962	1	SPACER		539105527	1	HOSE, FUEL (RIGHT TANK)
20	539104197	2	STRUT MT WLDMT				(NOT SHOWN)
21	539108350	1	STRUT, RIGHT		539105530	1	HOSE, FUEL (LEFT TANK)
	539108351	1	STRUT, LEFT (NOT SHOWN)				(NOT SHOWN)
22	539105024	1	OIL TANK		539102679	1	VALVE, FUEL (NOT SHOWN)
23	539101202	1	CAP OIL TANK				(NOT SHOWN)
24	539106899	1	BATTERY HOLD DOWN		539912222	6	CLAMP, HOSE (NOT SHOWN)
25	539990598	4	WASHER, 1/4, FLAT		539102650	2	HOSE BARB, 90° (NOT SHOWN)
26	539990580	4	HCS 1/4C X 3/4		539103275	1	CONTROL THROTTLE (NOT SHOWN)
27	539105224	1	SEAT BKT W/DECAL				
28	539101770	1	SWITCH, IGNITION				
29	539990692	24	WASHER, 5/16, FLAT				
30	539102519	2	BUSHING				

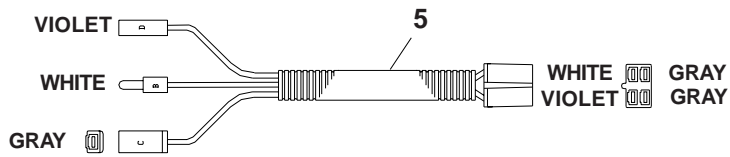
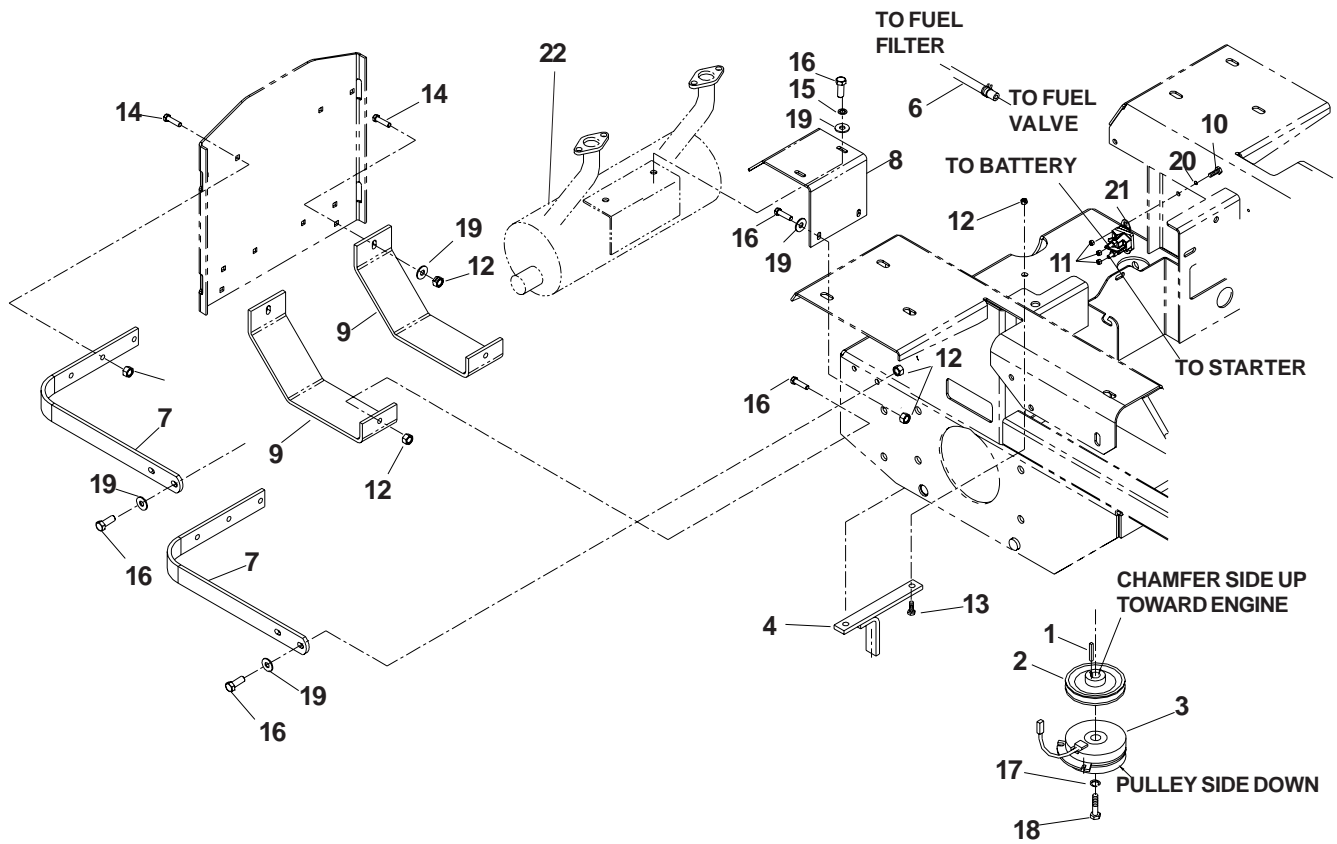
SEAT ASSEMBLY



SEAT ASSEMBLY

ITEM	PART NO.	QTY.	DESCRIPTION
1	539108715	1	SEAT, COMPLETE
2	539108717	1	ARM REST ASSEMBLY, RIGHT KIT
3	539108718	1	SEAT CUSHION KIT
4	539105283	1	SEAT MOUNT
5	539104525	1	SEAT ROD
6	539105039	4	STUD / PLATE MOUNT
7	539990372	2	1/4C LOCKNUT
8	539101341	2	HCS 3/8C X 3
9	539990546	4	NUT 3/8C CTR. LOCK
10	539990717	4	NUT 5/16C, NYLOC
11	539104789	1	DECAL, CROWN
12	539108719	1	SEAT BACK KIT
13	539990580	2	HCS 1/4C X 3/4
14	539105224	1	SEAT BKT. W/DECAL
15	539990365	1	COTTER PIN
16	539108720	1	SEAT RAILS (NOT SHOWN)
17	539976978	4	NUT 1/4C NYLOC
18	539108716	1	ARM REST ASSEMBLY, LEFT KIT
	539108745	1	SWITCH/SNAP MOUNT KIT (NOT SHOWN)

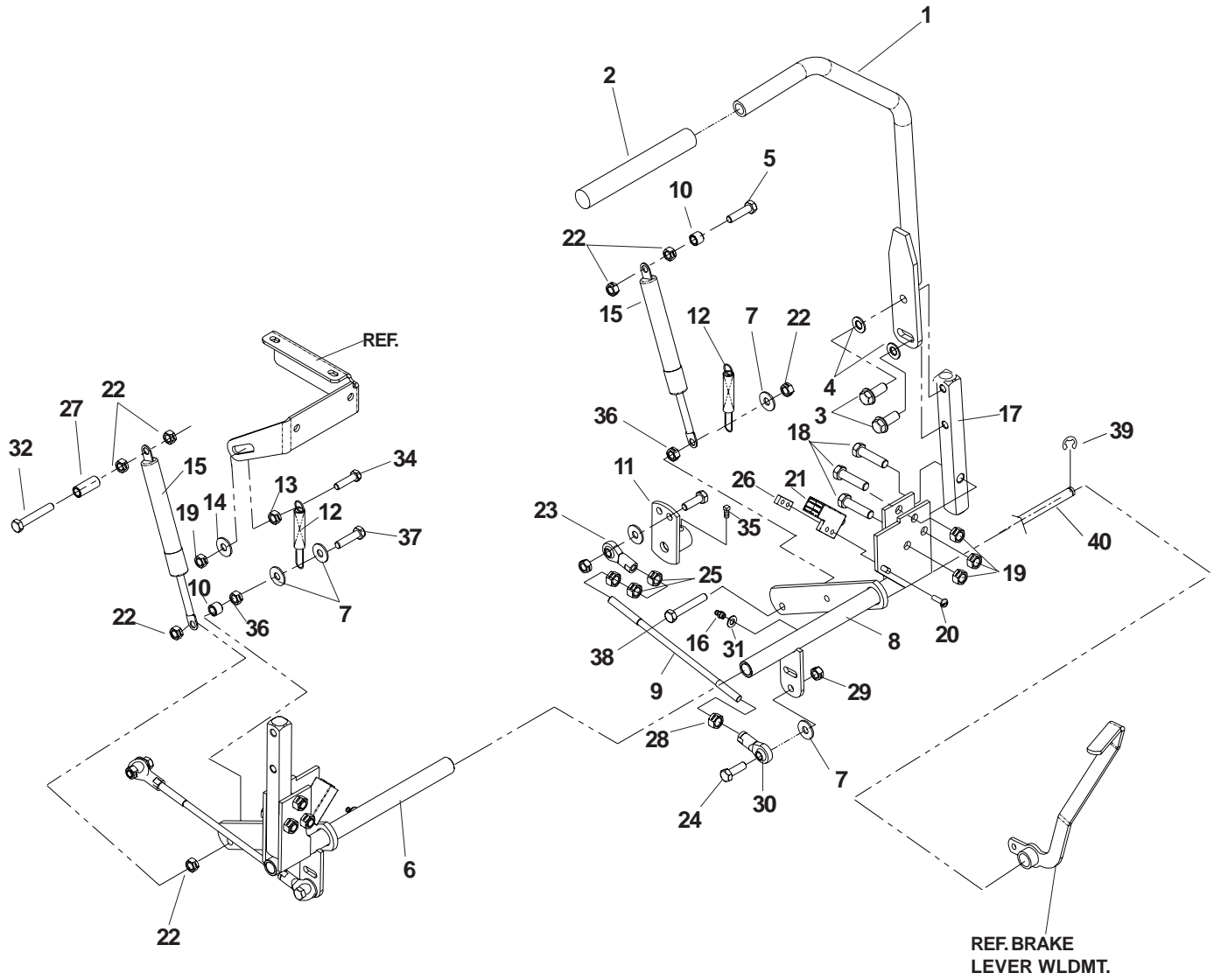
KAWASAKI ENGINE ASSEMBLY



KAWASAKI ENGINE ASSEMBLY

ITEM	PART NO.	QTY.	DESCRIPTION
1	539912757	1	KEY, 1/4 SQ X 1 1/4
2	539106992	1	PULLEY
3	539106880	1	CLUTCH
4	539106819	1	CLUTCH TIE DOWN
5	539104415	1	PIGTAIL
6	539105281	1	FUEL HOSE, 29.5"
7	539106961	4	STRAP
8	539106886	1	MUFFLER BRACKET (21 HP ONLY)
9	539106957	2	SKID PLATE
10	539990072	2	HCS, 1/4C X 5/8
11	539976978	5	NUT, 1/4C, NYLOC
12	539990717	22	NUT, 5/16C, NYLOC
13	539990669	4	HCS, 5/16C X 1 3/4
14	539107271	10	RHSSNB 5/16C X 1
15	539990187	2	LOCKWASHER, 5/16
16	539990209	8	HCS, 5/16C X 1
17	539990247	1	LOCKWASHER, 7/16
18	539991120	1	HCS, 7/16F X 2 1/2
19	539990692	10	WASHER, 5/16, FLAT
20	539990053	2	LOCKWASHER, 1/4 IT
21	539101714	1	SOLINOID
22	539106890	1	MUFFLER, 18 H.P.
	539105897	1	MUFFLER, 21 H.P.

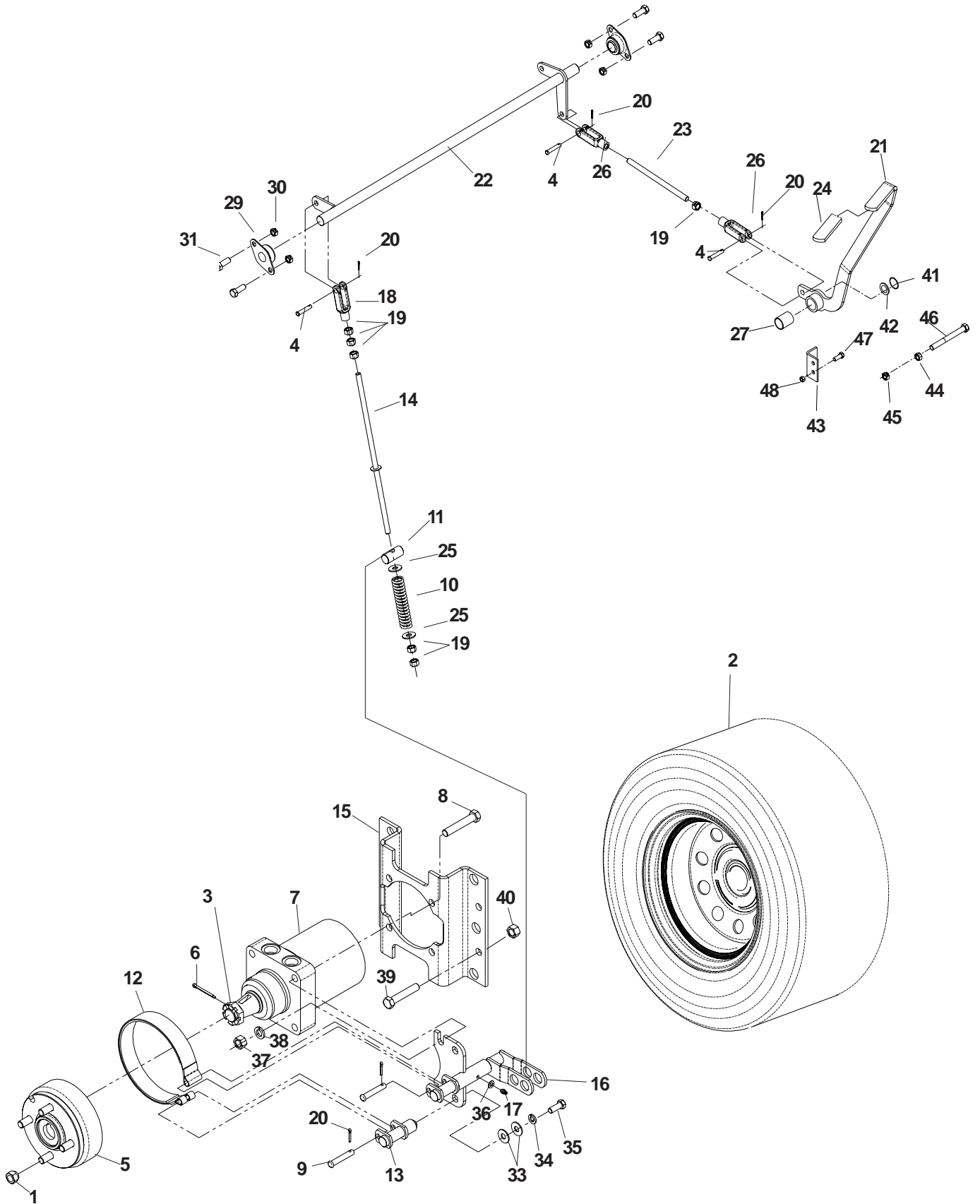
MOTION CONTROL ASSEMBLY



MOTION CONTROL ASSEMBLY

ITEM	PART NO.	QTY.	DESCRIPTION
1	539104190..	2	CONTROL LEVER WLDMT
2	539102592..	2	GRIP
3	539990563..	4	HCS 3/8C X 1
4	539102593..	4	3/8 DISC SPRING WASHER
5	539976935..	1	HCS 5/16C X 1 1/2
6	539106923..	1	CONTROL WELDMENT, RIGHT
7	539990692..	7	WASHER 5/16 FLAT
8	539106924..	1	CONTROL WELDMENT, LEFT
9	539103264..	2	PUMP CONTROL LINK
10	539102827..	2	SPACER
11	539104382..	2	CONTROLARM, PUMP
12	539103297..	2	SPRING
13	539990613..	2	3/8C WHIZ NUT
14	539990517..	2	WASHER 3/8 FLAT
15	539102720..	2	DAMPENER
16	539976998..	2	ZERK
17	539102809..	2	CONTROLARM
18	539990730..	6	HCS 3/8C X 1 3/4
19	539976979..	6	NUT, 3/8C, NYLOC
20	539976952..	4	SCREW 310-24 X 5/8
21	539101080..	2	SWITCH
22	539990184..	7	NUT, 5/16C, CENTERLOCK
23	539102590..	2	BALL JOINT, RIGHT
24	539990627..	4	HCS 5/16C X 1 1/4
25	539990223..	6	NUT, 5/16-24
26	539102678..	2	TAPPED PLATE
27	539104995..	1	SPACER
28	539991073..	2	NUT, 5/16F, LEFT HAND
29	539990717..	4	NUT, 5/16C, NYLOC
30	539102591..	2	BALL JOINT, LEFT
31	539103547..	2	WASHER
32	539976937..	1	HCS 5/16C X 2
33	539101341..	1	HCS 3/8C X 3 (NOT SHOWN)
34	539990637..	1	HCS 3/8C X 2 1/2
35	539105079..	2	SCREW, 5/16C X 5/8, SET
36	539990585..	2	NUT 5/16C, WHIZ
37	539991055..	1	BOLT, 5/16C X 2 1/4, TAP
38	539100469..	1	BOLT, 5/16C X 1 1/4, TAP
39	539101949..	2	E-RING, 1/2
40	539108659..	1	CONTROL SHAFT

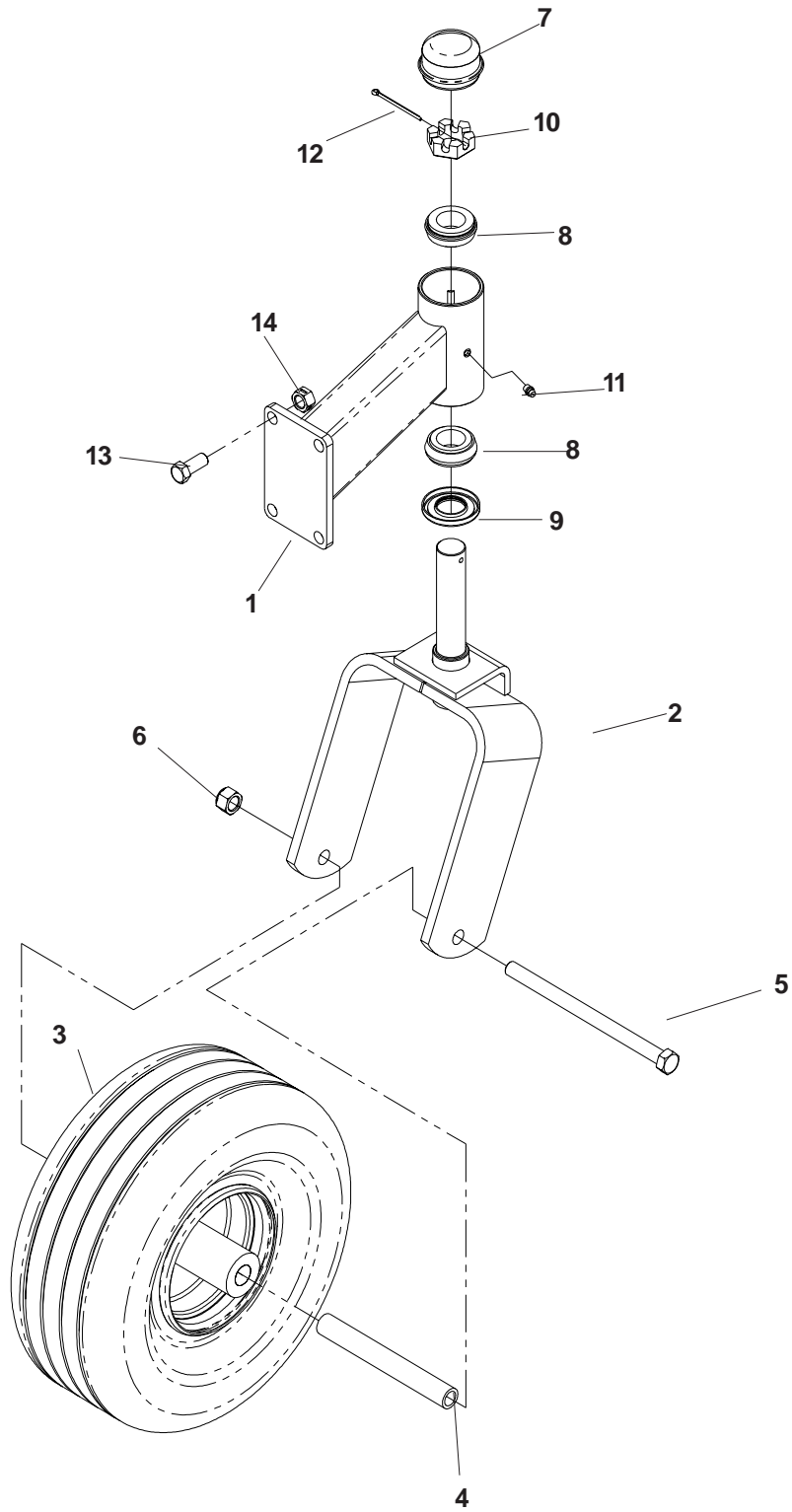
PARK BRAKE ASSEMBLY (TF)



PARK BRAKE ASSEMBLY (TF)

ITEM	PART NO.	QTY.	DESCRIPTION	ITEM	PART NO.	QTY.	DESCRIPTION
1	539101173	8	LUG NUT 1/2F	16	539106990	2	BRAKE WLDMT
2	539106883	2	REAR TIRE ASM. <i>Note! For EC models</i> (COMPLETE) (FOR MODEL: 986999210)	17	539976998	2	ZERK, STRAIGHT, 1/4-28
	539107431	1	TIRE, 23 X 10.5-12	18	539977465	2	YOKE, 3/8-24
	539105983	1	RIM, 12 X 8.5	19	539990155	10	NUT, HEX, 3/8F
	539912234	1	VALVE STEM	20	539990365	2	PIN-COTTER, 1/8 X 3/4
	539108882	2	REAR TIRE ASM. <i>Note! For non-european models</i> (COMPLETE) (FOR MODEL 968999209)	21	539108616	1	BRAKE LEVER WLDMT
	539107432	1	TIRE, 23 X 8.5-12	22	539106969	1	BRAKE CROSS SHAFT
	539107392	1	RIM	23	539106971	1	LINKAGE SHORT
	539912234	1	VALVE STEM	24	539105036	1	GRIP
3	539101468	2	HEX SLOTTED NUT	25	539102843	3	WASHER, 7/16
4	539977703	4	CLEVIS PIN, 3/8 X 1 1/8	26	539977465	2	YOKE
5	539102415	2	HUB, W/BRAKE DRUM	27	539108619	1	BUSHING
6	539104288	2	KEY-COTTER, 4 MM X 45 MM	28	539990155	1	NUT, 3/8F
7	539104417	2	WHEEL MOTOR	29	539102797	2	FLANGE BEARING
8	539101332	8	HCS 1/2C X 2 3/4	30	539976979	4	NUT, 3/8C, NYLOC
9	539102746	4	PIN-CLEVIS, 3/8 X 2	31	539990563	4	HCS 3/8C X 1
10	539102817	2	SPRING-BRAKE COMPRESSION	32	539990365	4	COTTER PIN
11	539102821	2	PIN-TRUNION	33	539990517	4	WASHER 3/8, FLAT
12	539102822	2	BAND-BRAKE	34	539990118	1	LOCKWASHER, 3/8
13	539106873	2	BRAKE BAND SUPPORT	35	539106791	1	HCS 3/8C X 1, GD 8
14	539106972	2	LINKAGE	36	539103547	1	WASHER
15	539106989	2	MOTOR STANDOFF	37	539990258	4	NUT, 1/2C
				38	539990254	4	LOCKWASHER, 1/2
				39	539990622	4	HCS 1/2 X 1 1/4, SERR WASHER
				40	539101331	4	NUT, 1/2C, NYLOC
				41	539101151	1	RING, 7/8, RET.
				42	539923787	1	BUSHING, MACH.
				43	539105029	1	BRACKET
				44	539990613	1	NUT, 3/8C, WHIZ
				45	539976979	1	NUT, 3/8C, NYLOC
				46	539990637	1	HCS, 3/8C X 2 1/2
				47	539990580	2	HCS, 1/4C X 3/4
				48	539976978	2	NUT, 1/4C, NYLOC

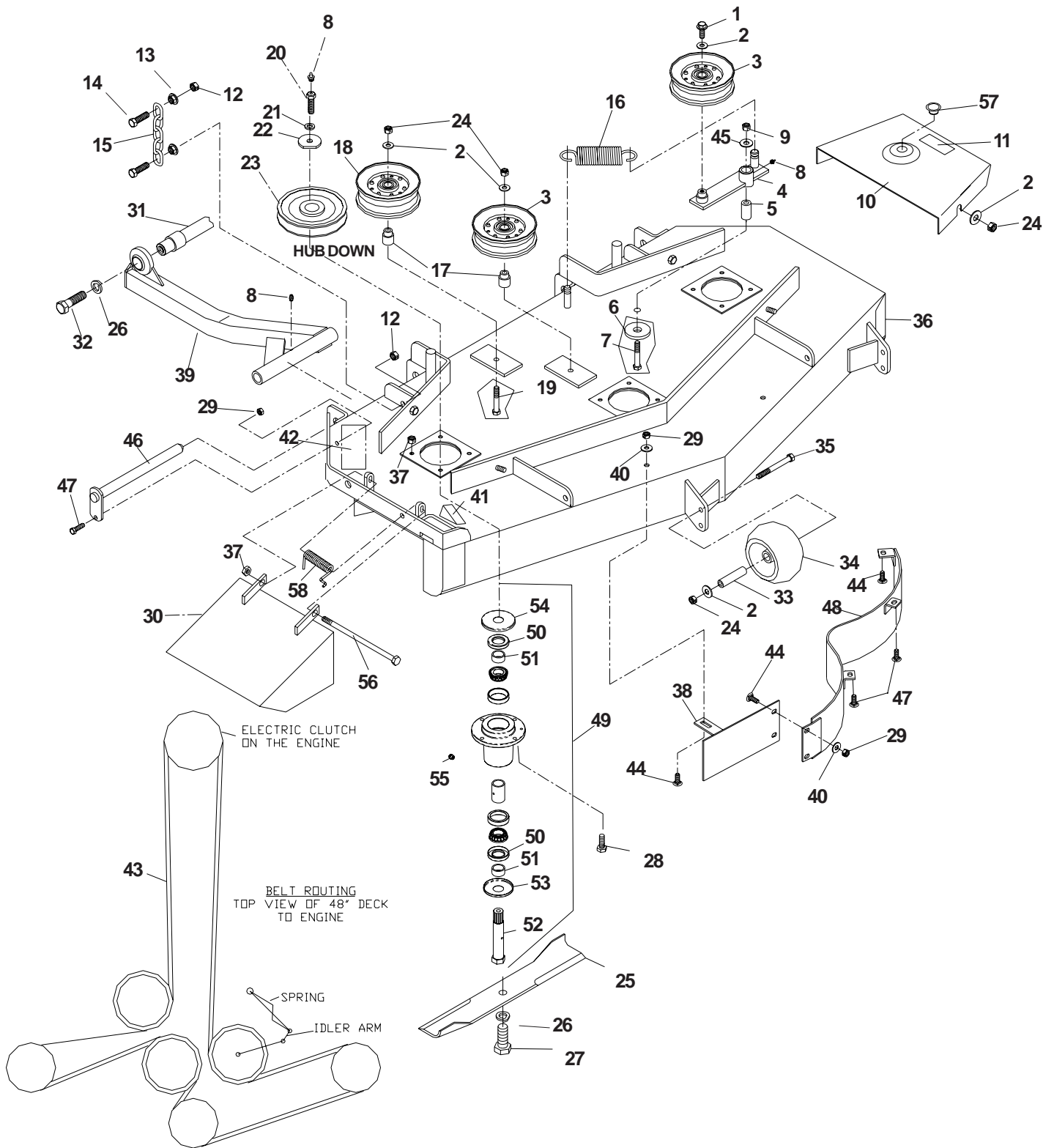
CASTER ARM



CASTER ARM

ITEM	PART NO.	QTY.	DESCRIPTION
1	539106986	1	CASTER ARM
2	539104571	1	CASTER YOKE
3	539104572	1	TIRE & WHEEL ASSEMBLY
	539102546	1	TIRE
	539104573	1	RIM
	539912234	1	VALVE STEM
	539976997	1	ZERK
	539102485	2	FLANGE BEARING
	539102484	2	END CAPS
4	539102856	1	SPACER
5	539102855	1	HCS 1/2-13 X 7 1/2
6	539101331	1	NUT 1/2C, NYLOC
7	539102535	1	GREASE CAP
8	539102543	2	BEARING
9	539102851	1	SEAL
10	539102852	1	NUT, 1"-14, SLOTTED JAM
11	539101474	1	ZERK
12	539102889	1	PIN, COTTER, 1/8 X 2
13	539100143	4	HCS 7/16C X 1
14	539990839	4	NUT, 7/16C, LOCK

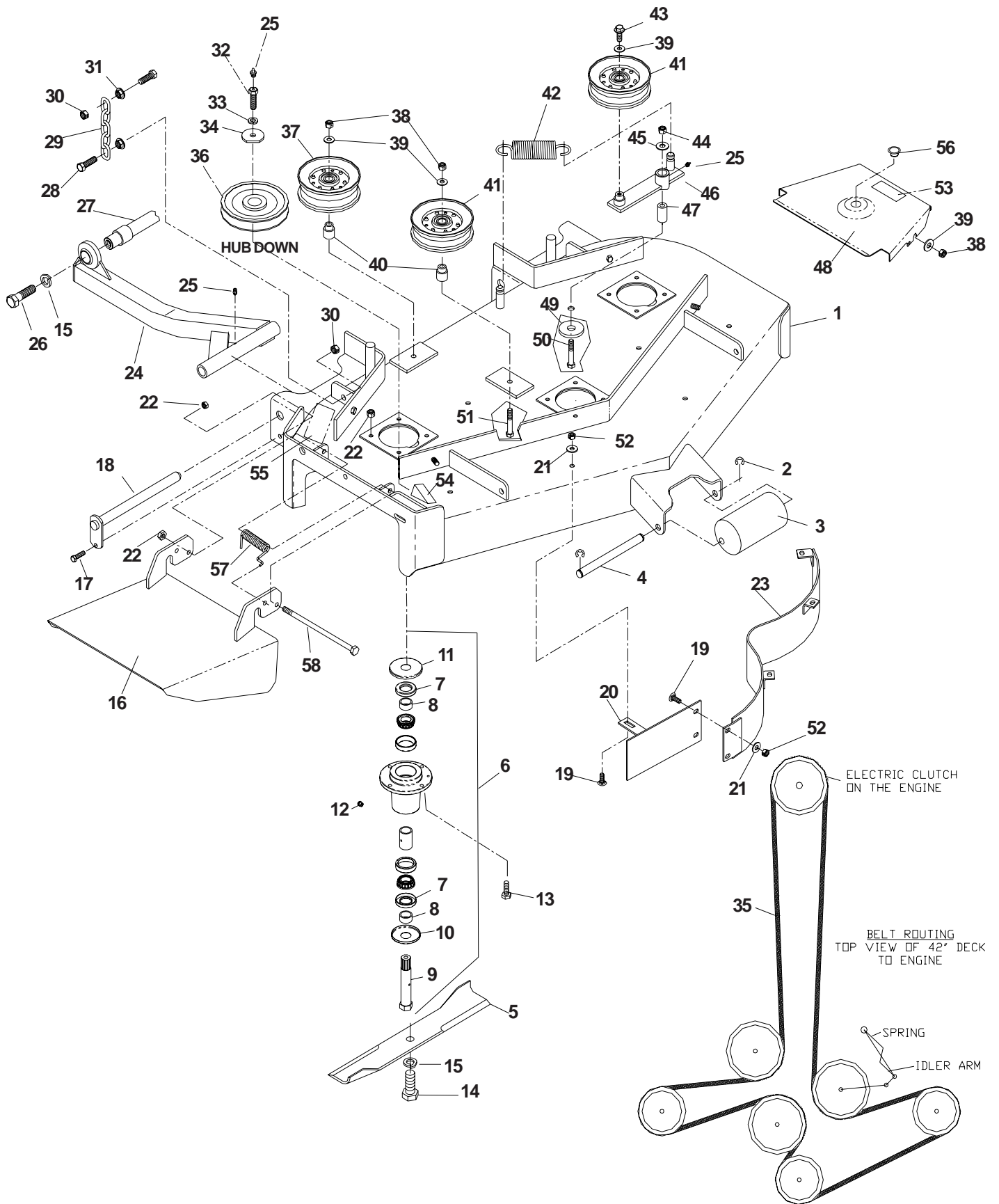
48" DECK ASSEMBLY



48" DECK ASSEMBLY

ITEM	PART NO.	QTY.	DESCRIPTION	ITEM	PART NO.	QTY.	DESCRIPTION
1	539990582	1	HCS 3/8C X 1 SERRATED HD	29	539990184	6	NUT 5/16C CENTERLOCK
2	539990517	9	WASHER 3/8 FLAT	30	539107350	1	DEFLECTOR CHUTE
3	539103257	2	IDLER PULLEY	31	539104197	1	STRUT MOUNT
4	539103230	1	IDLER ARM	32	539104199	2	HCS 5/8C X 2 GR.5
5	539103427	1	PIVOT BUSHING	33	539102698	3	BUSHING
6	539102243	1	SUPPORT WASHER	34	539102643	2	ANTI-SCALP ROLLER
7	539103433	1	HCS 1/2C X 3 1/4	35	539102754	3	HCS 3/8C X 3 1/2
8	539976998	5	ZERK	36	539105779	1	DECK W/DECALS
9	539101331	1	NUT 1/2C NYLOC	37	539990717	13	NUT 5/16C, NYLOC
10	539108926	2	BELT SHIELD, LEFT	38	539105444	1	CENTER BAFFLE
	539108925	1	BELT SHIELD, RIGHT (NOT SHOWN)	39	539108350	1	STRUT - RT
11	539102892	2	DECAL, NO STEP		539108351	1	STRUT - LT (NOT SHOWN)
12	539990839	8	NUT 7/16C CENTERLOCK	40	539990692	6	5/16 FLAT WASHER
13	539102582	8	7/16C WHIZ NUT	41	539913010	1	DECAL, CPSC
14	539101175	8	HCS 7/16C X 1 1/2	42	539100344	1	DECAL, DANGER
15	539102641	4	LIFT CHAIN	43	539103687	1	48" DECK BELT
16	539103256	1	SPRING	44	539990799	6	CARRIAGE BOLT
17	539103295	2	IDLER BUSHING	45	539990550	1	WASHER 1/2 FLAT
18	539103258	1	IDLER PULLEY(TALL)	46	539102619	2	PIVOT PIN
19	539102612	2	HCS 3/8C X 2 3/4	47	539976934	4	HCS 5/16C X 3/4
20	539108766	3	HCS 7/16F X 1 1/2, SPEC.	48	539105448	1	MAIN BAFFLE
21	539990247	3	LOCKWASHER 7/16	49	539108762	3	COMPLETE HOUSING
22	539106504	3	HEAVY WASHER	50	539108754	2	SHAFT SEAL
23	539107276	3	PULLEY	51	539108758	2	SPACER
24	539976979	11	NUT 3/8C, NYLOC	52	539108759	1	MINI SPINDLE
25	539100340	3	16 1/4" BLADE	53	539108449	1	DUST CAP, BOTTOM
26	539990333	3	LOCKWASHER 5/8	54	539108450	1	DUST CAP, TOP
27	539103299	3	HCS 5/8F X 1 1/4	55	539977326	1	GREASE POPET
28	539990627	12	HCS 5/16C X 1 1/4	56	539105826	1	HCS 5/16C X 7
				57	539108382	2	PLUG
				58	539105822	1	SPRING, TORSION

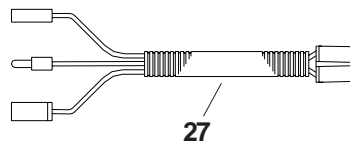
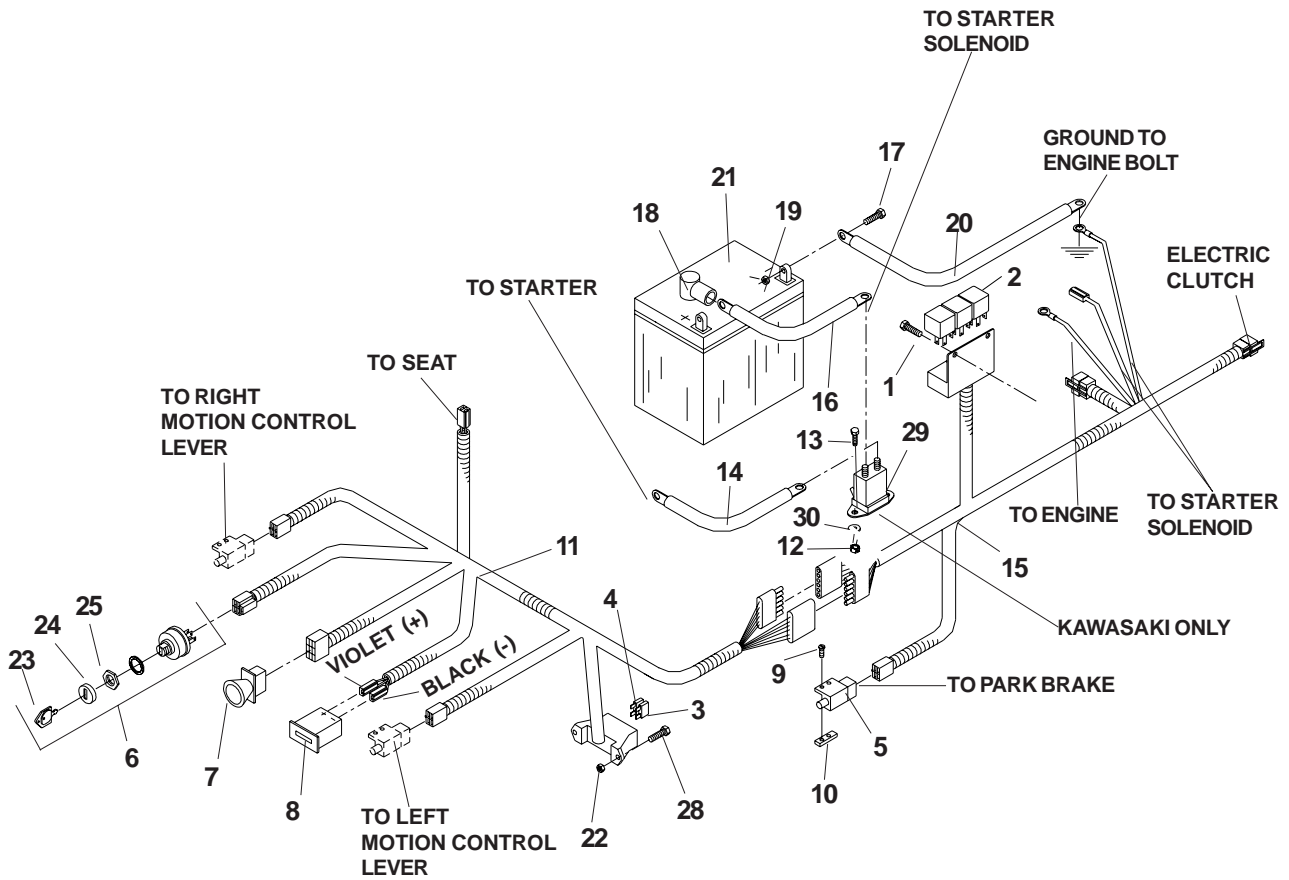
42" DECK ASSEMBLY



42" DECK ASSEMBLY

ITEM	PART NO.	QTY.	DESCRIPTION	ITEM	PART NO.	QTY.	DESCRIPTION
1	539105778	1	DECK W/DECALS	28	539101175	8	HCS 7/16C X 1 1/2
2	539101949	2	1/2" E-RING	29	539102641	4	CHAIN
3	539976828	1	ROLLER, LONG	30	539990839	8	7/16C CTR. LOCK
4	539103437	1	AXLE, ROLLER	31	539102582	8	7/16C WHIZ NUT
5	539103274	3	BLADE 14 7/8"	32	539108766	3	HCS 7/16F X 1 1/2, SPEC.
6	539108762	3	CUTTER HOUSING, COMPLETE	33	539990247	3	7/16 LOCKWASHER
7	539108754	2	SHAFT SEAL	34	539106504	3	WASHER
8	539108758	2	SPACER	35	539103240	1	BELT
9	539108759	1	MINI SPINDLE	36	539107276	3	PULLEY
10	539108449	1	DUST CAP, BOTTOM	37	539103258	1	IDLER PULLEY 1.62
11	539108450	1	DUST CAP, TOP	38	539976979	6	NUT 3/8C, NYLOC
12	539977326	1	GREASE POPPET	39	539990517	7	WASHER 3/8 STD.
13	539990627	14	HCS 5/16C X 1 1/4	40	539103295	2	IDLER BUSHING
14	539103299	3	HCS 5/8F X 1 1/4	41	539103257	2	IDLER PULLEY 1.31
15	539990333	5	LOCKWASHER	42	539103256	1	SPRING
16	539105361	1	DISCHARGE CHUTE	43	539990582	1	HCS 3/8C X 1
17	539976934	2	HCS 5/16C X 3/4	44	539101331	1	NUT 1/2C NYLOC
18	539102619	2	PIVOT PIN	45	539990550	1	WASHER 1/2 STD.
19	539990799	4	CARRIAGE BOLT 5/16 X 5/8	46	539103230	1	IDLER ARM
20	539105435	1	CENTER BAFFLE	47	539103427	1	PIVOT BUSHING
21	539990692	6	WASHER 5/16C, NYLOC	48	539108938	1	BELT SHIELD, LEFT
22	539990717	14	NUT 5/16 CTR. LOCK	539108937	1	BELT SHIELD, RIGHT
23	539105439	1	MAIN BAFFLE			(NOT SHOWN)
24	539108350	1	STRUT - RIGHT	49	539102243	1	SUPPORT WASHER
.....	539108351	1	STRUT - LEFT	50	539103433	1	HCS 1/2C X 3 1/4
.....			(NOT SHOWN)	51	539102612	2	HCS 3/8C X 2 3/4
25	539976998	5	1/4-28 ZERK	52	539990184	6	HLN 5/16C
26	539104199	2	HCS 5/16C X 2	53	539102892	2	DECAL, NO STEP
27	539104197	1	STRUT MT. WLD.	54	539913010	1	DECAL, CPSC
				55	539100344	1	DECAL, DANGER
				56	539108382	2	PLUG
				57	539105822	1	SPRING, TORSION
				58	539105836	1	HCS 5/16C X 11

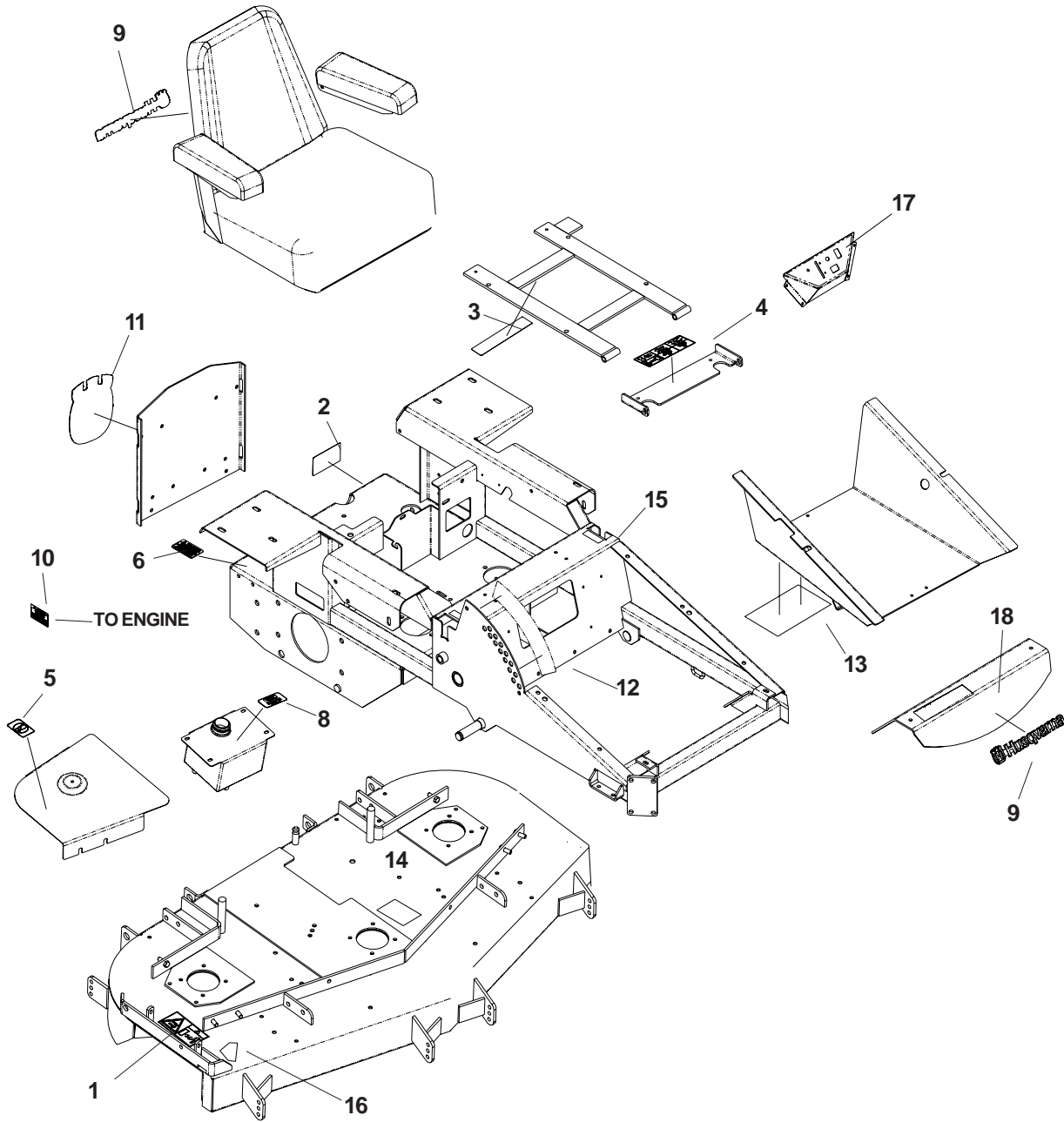
WIRING ASSEMBLY



WIRING ASSEMBLY

ITEM	PART NO.	QTY.	DESCRIPTION
1.	539991034	3	#10 X 1/2 SELF TAPPING
2.	539102914	3	RELAY
3.	539101771	1	7.5 AMP 32 VOLT ATO FUSE
4.	539102086	1	20 AMP 32 VOLT ATO FUSE
5.	539101080	3	INTERLOCK SWITCH
6.	539101770	1	IGNITION SWITCH (INCLUDES WASHER, NUT, & STD. KEY) (DOES NOT INCLUDE ITEMS 23, 24)
7.	539101768	1	BLADE SWITCH
8.	539108016	1	HOUR METER
9.	539976952	6	#10-24 X 5/8
10.	539102678	3	TAPPED PLATE
11.	539104414	1	HARNESS, CONSOLE
12.	539990372	5	NUT 1/4C CENTERLOCK
13.	539990072	2	HCS 1/4C X 5/8 (KAWASAKI ONLY)
14.	539104974	1	CABLE POSITIVE (KAWASAKI ONLY)
	539102757	1	CABLE POSITIVE (KOHLER ONLY)
15.	539104964	1	HARNESS, FRAME
16.	539103306	1	CABLE POSITIVE, LONG
17.	539976934	2	HCS 5/16C X 3/4
18.	539102759	1	INSULATOR
19.	539990184	2	NUT 5/16C CENTERLOCK
20.	539102758	1	CABLE NEG.
21.	539102463	1	BATTERY
22.	539976977	2	NUT #10, NYLOC
23.	539104812	1	KEY, PADDED
24.	539103178	1	COVER
25.	539103177	1	NUT
27.	539104415	1	PIGTAIL FOR ENG. WIRING (KAWASAKI ONLY)
28.	539102617	2	SCREW, #10C X 7/8
29.	539101714	1	SOLENOID (KAWASAKI ONLY)
30.	539990053	2	LOCKWASHER, 1/4, INTERNAL TOOTH

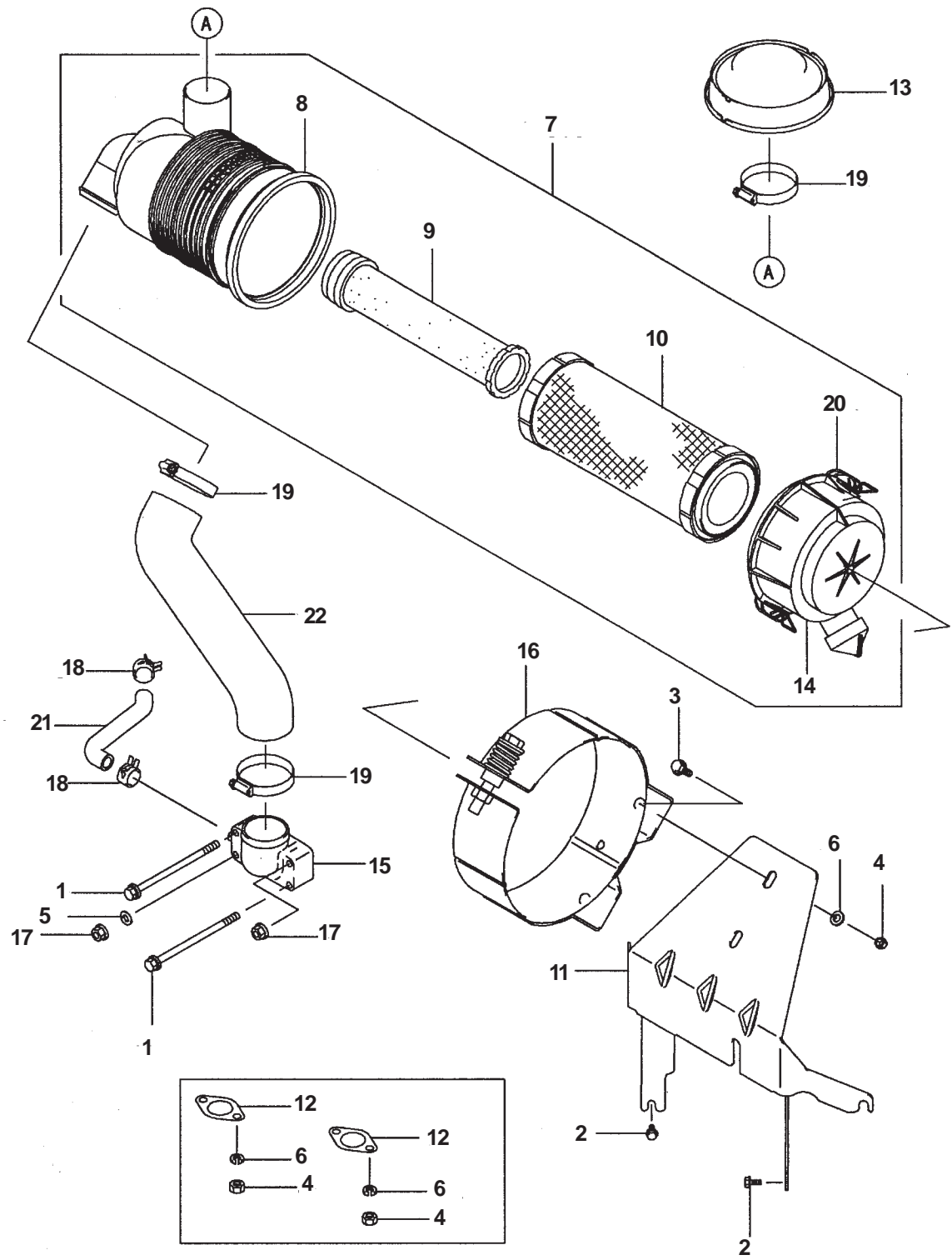
DECALS



DECALS

ITEM	PART NO.	QTY.	DESCRIPTION
1	539105746	1	DECAL, SEVERING
2	539105744	1	DANGER DECAL, BELT DRIVES
3	539105745	1	DECAL, BATTERY WARNING
4	539105785	1	DECAL, WARNING
5	539105743	2	DECAL, NO STEP
6	539101881	1	PROP. 65
8	539105301	1	MOBIL DECAL
9	539104787	2	DECAL, HUSQVARNA
10	539100128	1	EXHAUST DECAL
11	539105803	1	DECAL, CROWN
12	539108267	1	DECAL, HEIGHT ADJ.
13	539107289	1	DECAL, SERVICE
14	539107288	1	DECAL, BELT ROUTING
15	539103333	2	DECAL, MOTION CONTROL
16	539913010	1	DECAL, DANGER
17	539106483	1	DECAL, CONSOLE
18	539107743	1	DECAL, iZ4218
	539107745	1	DECAL, iZ4821
	539102670	1	DECAL, FUEL VALVE (NOT SHOWN)

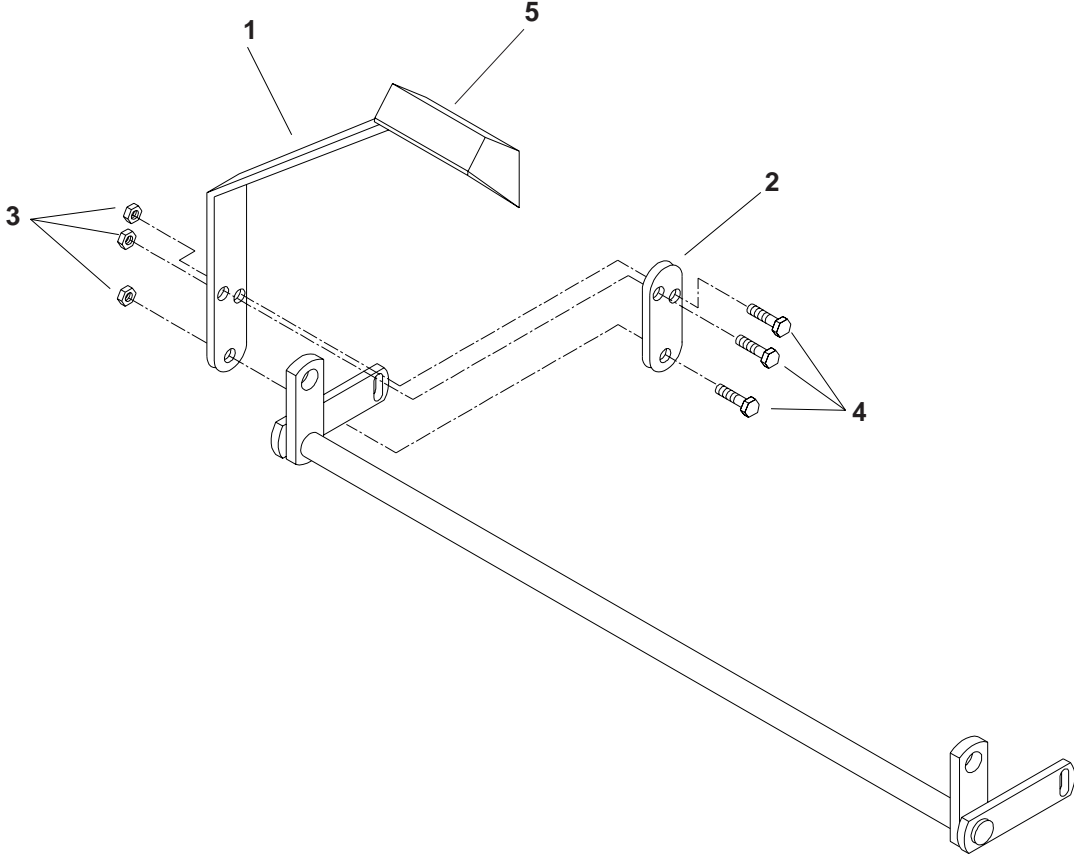
HEAVY DUTY AIR FILTER



HEAVY DUTY AIR FILTER

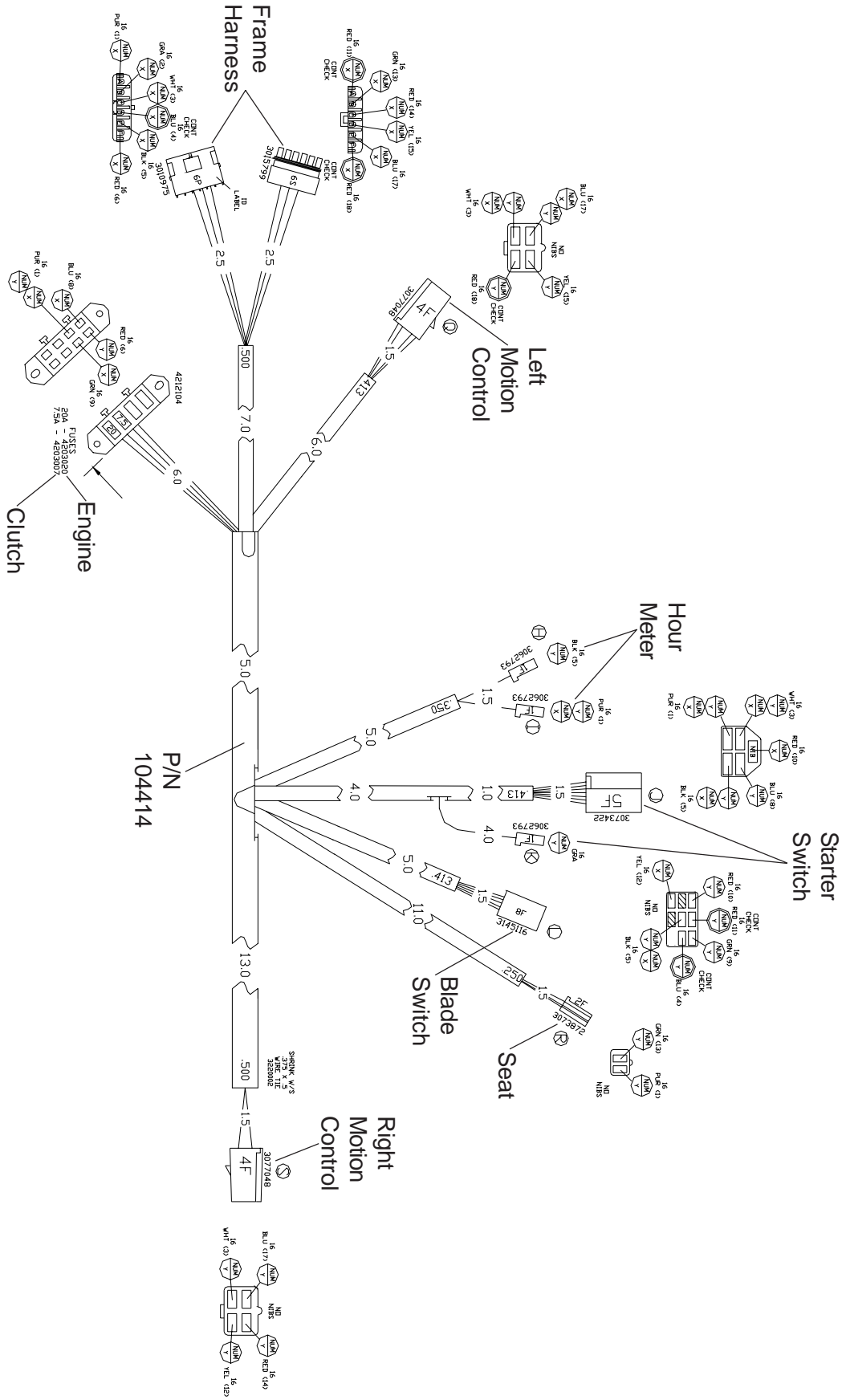
ITEM	PART NO.	QTY.	DESCRIPTION
1	535414263	2	BOLT, FLANGED
2	725236661	2	BOLT, FLANGED
3	535414268	2	BOLT, FLANGED
4	535414363	6	NUT, HEX, SMALL
5	535414368	1	WASHER, PLAIN
6	535414372	6	WASHER, SPRING
7	535466418	1	AIR FILTER ASSY.
8	535466419	1	AIR FILTER CASE
9	535466420	1	AIR FILTER ELEMENT
10	535466421	1	AIR FILTER ELEMENT
11	535466422	1	BRACKET
12	535466423	2	MUFFLER GASKET
13	535466424	1	CAP
14	535466425	1	CAP
15	535466426	1	INTAKE PIPE
16	535466427	1	BRACKET COMPL.
17	535414536	2	NUT
18	535414444	2	CLAMP
19	535466428	3	CLAMP
20	535466429	2	CLAMP
21	535414498	1	TUBE
22	535466430	1	TUBE

LIFT PEDAL



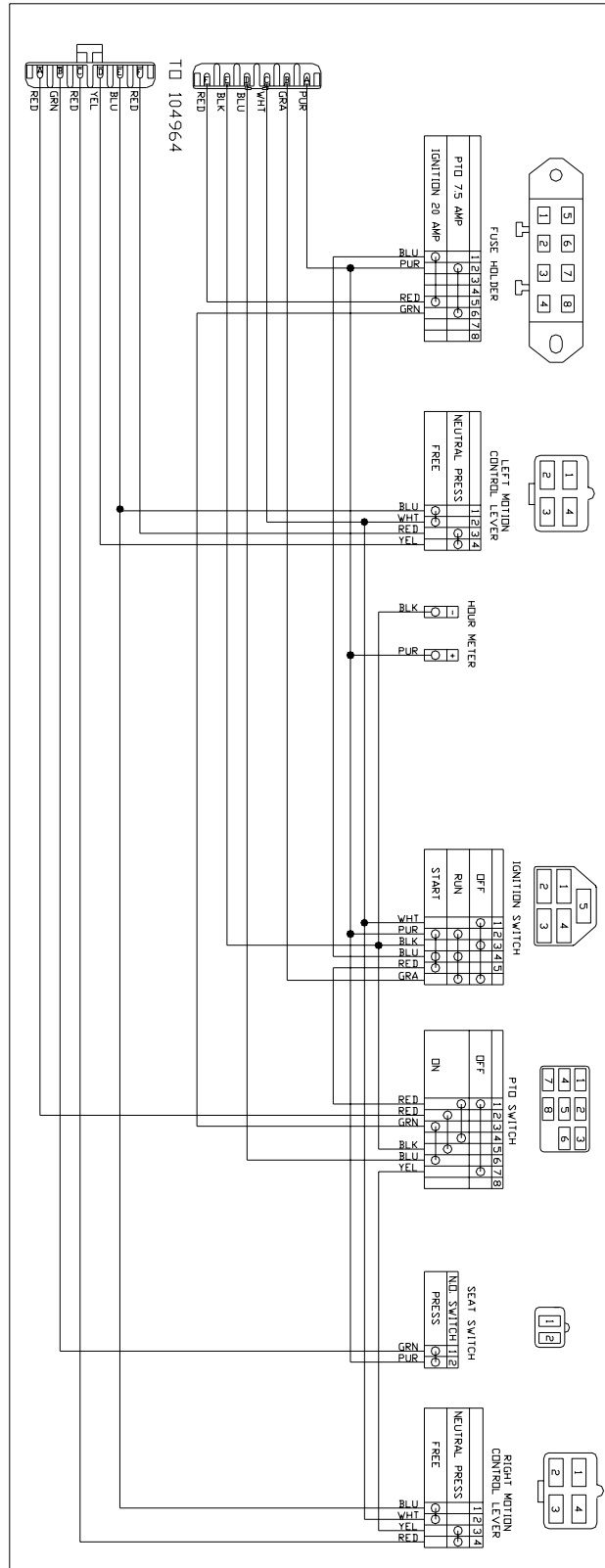
ITEM	PART NO.	QTY.	DESCRIPTION
1	539105549	1	Lift Pedal W/pad
2	539105552	1	Tightening Plate
3	539976979	3	Nut 3/8C Nyloc
4	539990655	3	HCS 3/8C X 1 1/2
5	539105187	1	Pad, non-skid

WIRING DIAGRAM



CONSOLE HARNESS

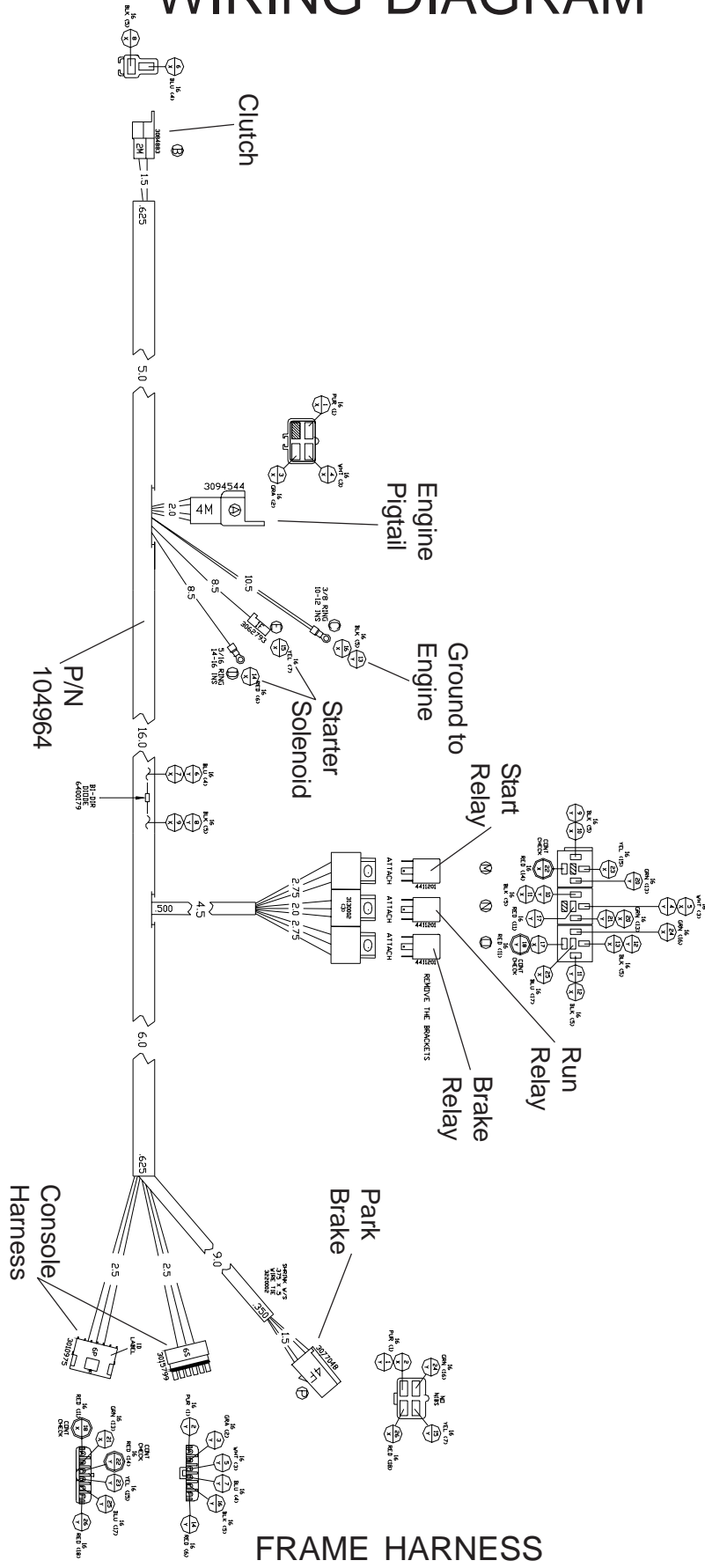
WIRING DIAGRAM



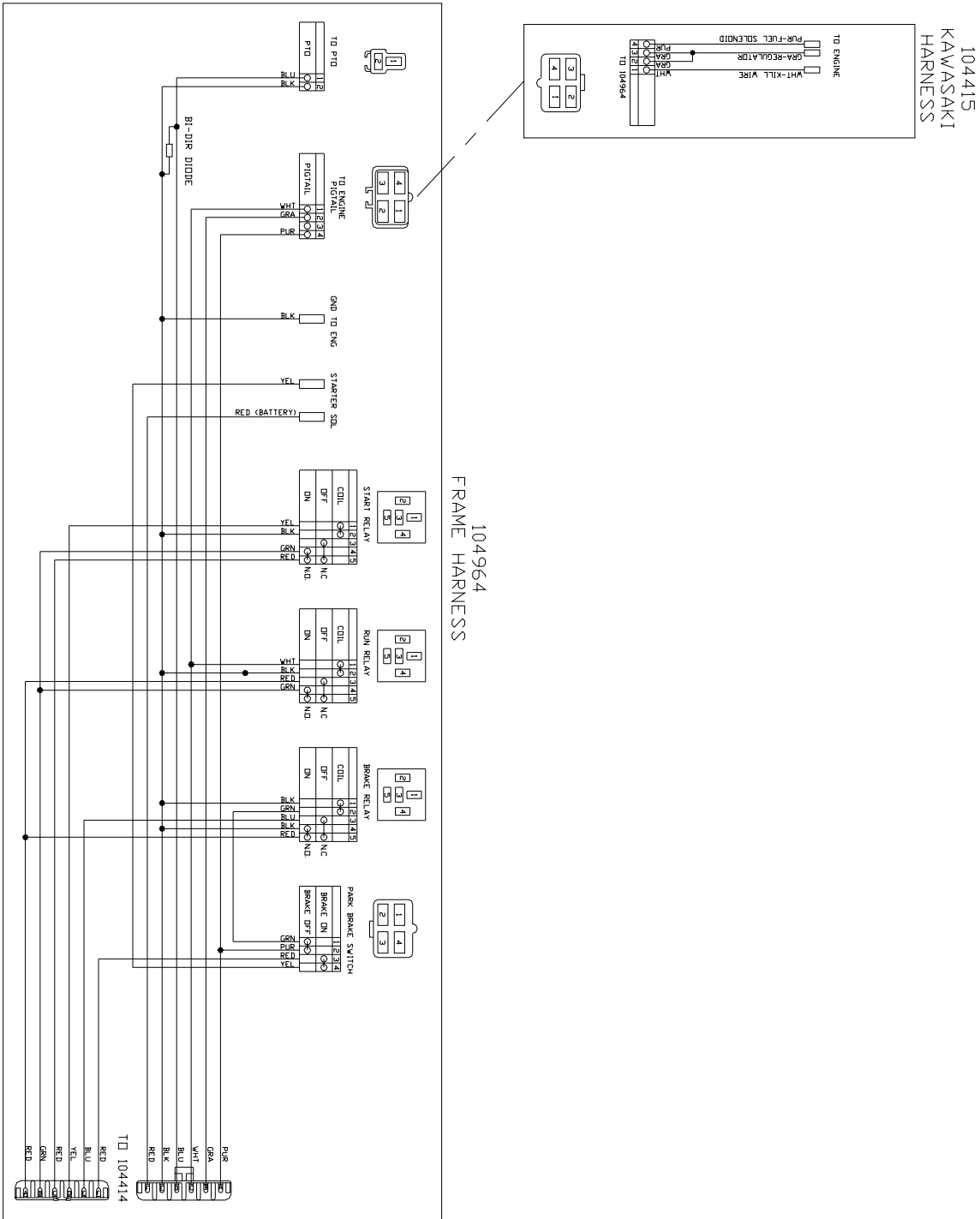
104414
CONSOLE HARNESS

CONSOLE HARNESS SCHEMATIC

WIRING DIAGRAM



WIRING DIAGRAM



FRAME HARNES