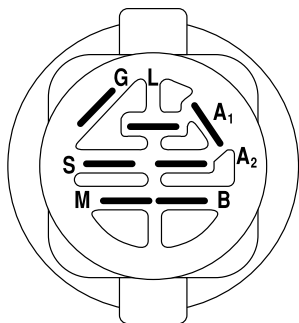
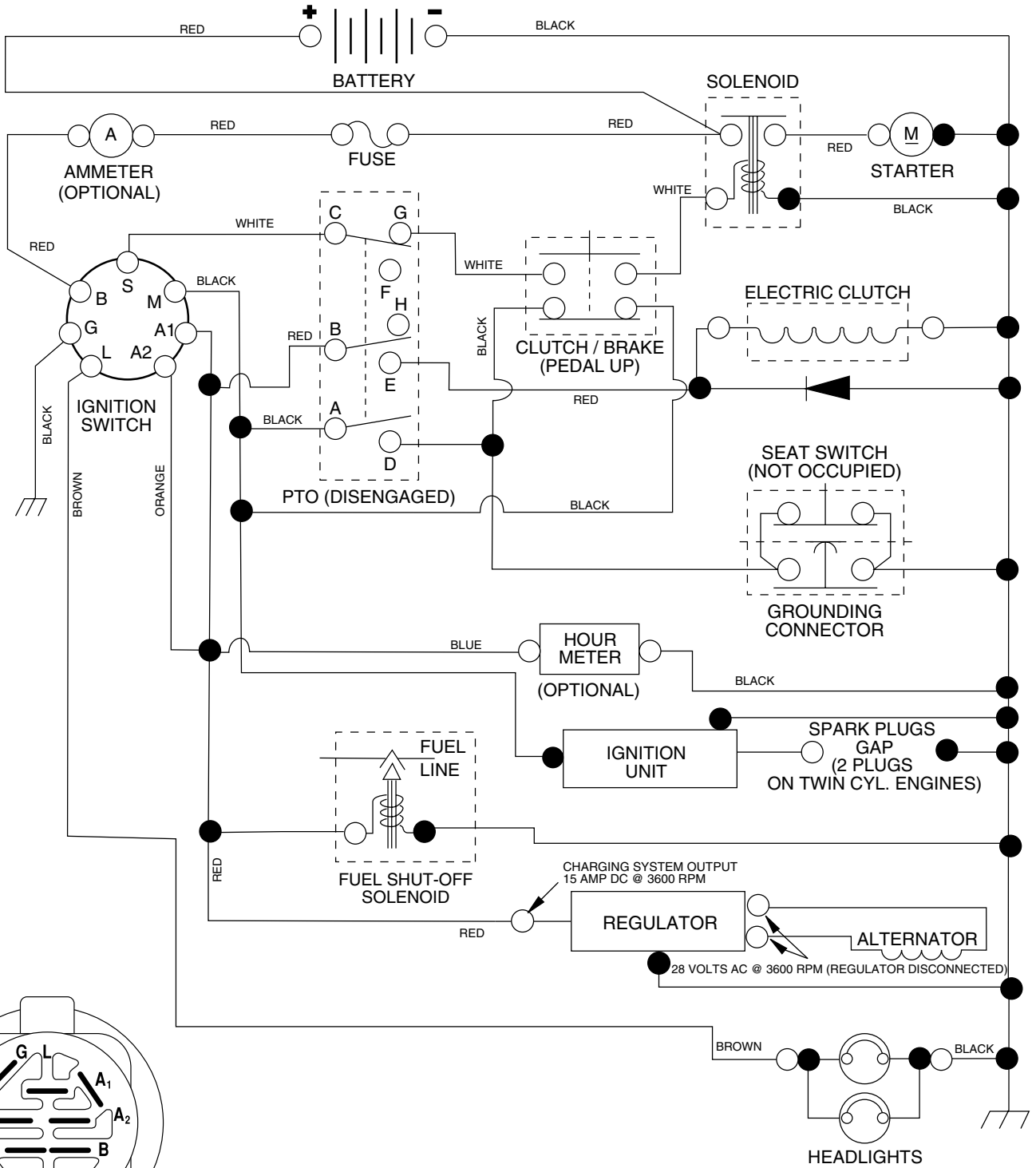


LTH1842

Spare parts
Ersatzteile
Pièces détachées
Reserve onderdelen
Repuestos
Reservdelar

TRACTOR - MODEL NO. LTH1842 (HAU1842A), PRODUCT NO. 954 17 02-38 SCHEMATIC



IGNITION SWITCH

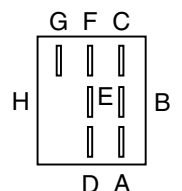
| POSITION | CIRCUIT | "MAKE" |
|-------------|------------|--------|
| OFF | M + G + A1 | NONE |
| ON + LIGHTS | B + A1 | L + A2 |
| ON | B + A1 | NONE |
| START | B + S + A1 | NONE |

WIRING INSULATED CLIPS
NOTE: IF WIRING INSULATED CLIPS WERE REMOVED FOR SERVICING OF UNIT, THEY SHOULD BE REPLACED TO PROPERLY SECURE YOUR WIRING.

02742

PTO SWITCH

| POSITION | CIRCUIT |
|----------|---------------------|
| OFF | C + G, B + H |
| ON | C + F, B + E, A + D |



PTO SWITCH CONNECTOR

○ REMOVABLE CONNECTIONS

● NON-REMOVABLE CONNECTIONS

REPAIR PARTS

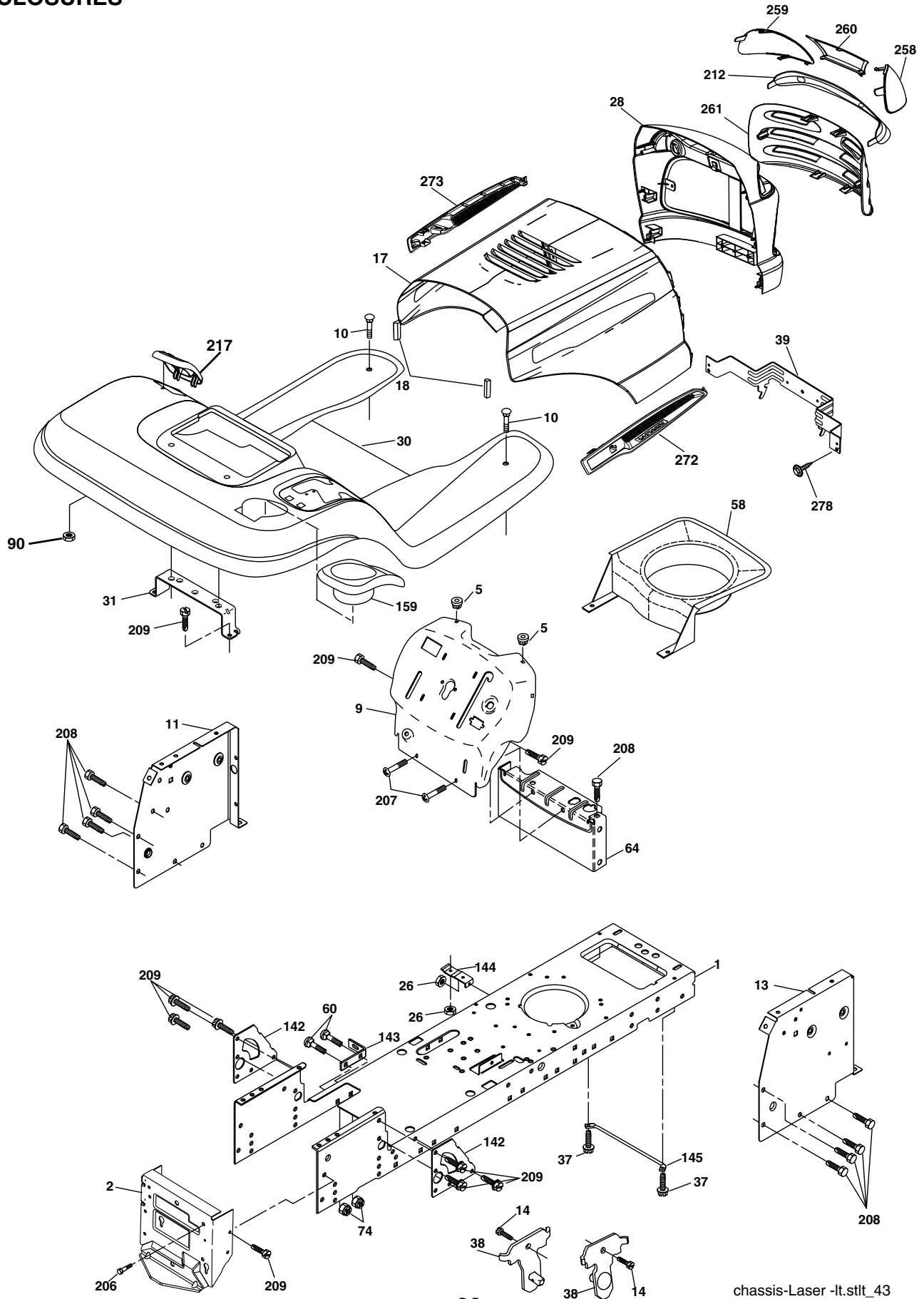
TRACTOR - MODEL NO. LTH1842 (HAU1842A), PRODUCT NO. 954 17 02-38
ELECTRICAL

| KEY NO. | PART NO. | DESCRIPTION |
|---------|--------------|---------------------------------------|
| 1 | 532 14 49-27 | Battery |
| 2 | 874 76 04-12 | Bolt Hex Hd 1/4-20 unc x 3/4 |
| 8 | 532 18 64-91 | Box Battery |
| 16 | 532 17 61-38 | Switch Interlock |
| 21 | 532 17 56-88 | Harness Asm Light W/4152J |
| 22 | 532 00 41-52 | Bulb Light #1156 |
| 24 | 532 12 47-80 | Cable Battery 6 Ga. 11" red |
| 25 | 532 14 61-48 | Cable Battery 6 Ga. W/16 Ga. Wire 22" |
| 26 | 532 17 51-58 | Fuse 20 AMP |
| 27 | 873 51 04-00 | Nut Keps hex 1/4-20 Unc |
| 28 | 532 14 54-91 | Cable Ground 6 Ga. 21" Black |
| 29 | 532 12 13-05 | Switch Plunger Normal Op Gray |
| 30 | 532 17 55-66 | Switch Ignition |
| 33 | 532 14 04-01 | Key Ign Molded Generic |
| 40 | 532 18 80-24 | Harness Ign. |
| 41 | 871 11 04-08 | Bolt Hex Hd. Fin 1/4-20 x 1/2 Gr. 5 |
| 42 | 532 13 15-63 | Cover Terminal Red |
| 43 | 532 17 88-61 | Solenoid |
| 46 | 532 16 96-35 | Hourmeter Snap-In |
| 48 | 532 14 08-44 | Adapter Ammeter Rectangular |
| 50 | 532 17 46-51 | Switch PTO |
| 51 | 532 14 04-05 | Ring Retainer PTO |
| 55 | 817 49 05-08 | Screw Thdrol 5/16-18 x 1/2 |
| 80 | 532 14 66-85 | Harness Clutch EVX |
| 89 | 532 16 96-39 | Bracket Snap-In Hourmeter |
| 90 | 532 18 04-49 | Cover Terminal Battery |
| 91 | 532 19 02-70 | Strap Battery Mount Front |

NOTE: All component dimensions given in U.S. inches
1 inch = 25.4 mm.

REPAIR PARTS

TRACTOR - MODEL NO. LTH1842 (HAU1842A), PRODUCT NO. 954 17 02-38
ENCLOSURES



REPAIR PARTS

TRACTOR - MODEL NO. LTH1842 (HAU1842A), PRODUCT NO. 954 17 02-38
ENCLOSURES

| KEY NO. | PART NO. | DESCRIPTION |
|---------|--------------|---|
| 1 | 532 17 46-19 | Chassis Stl Stamping |
| 2 | 532 17 65-54 | Drawbar |
| 5 | 532 15 52-72 | Bumper Hood/Dash |
| 9 | 532 19 31-85 | Dash |
| 10 | 872 14 06-08 | Bolt Carriage 3/8-16 x 1 |
| 11 | 532 17 49-96 | Panel Dash Lh |
| 14 | 817 49 06-08 | Screw Thdrol 3/8-16 x 1/2 |
| 13 | 532 18 17-19 | Panel Dash Rh |
| 17 | 532 18 88-93 | Hood LT/PL Husqvarna |
| 18 | 532 18 49-21 | Bumper Hood |
| 26 | 873 80 06-00 | Nut Lock Hex W/Ins 3/8-16 unc |
| 28 | 532 18 35-38 | Grille LT/PL Husqvarna (Includes Key Nos. 212, 258-261) |
| 30 | 532 19 18-15 | Fender Footrest STLT Pnt |
| 31 | 532 13 99-76 | Bracket Support Fender |
| 37 | 817 49 05-08 | Screw Thdrol 6/16-18 x 1/2 TYT |
| 38 | 532 17 57-10 | Bracket Asm. Pivot Mower Rear |
| 39 | 532 17 47-14 | Bracket Pivot Laser |
| 58 | 532 18 71-54 | Duct Air |
| 60 | 872 14 06-06 | Bolt Rdhd Sqnk 3/8-16 unc x 3/4 |
| 64 | 532 15 47-98 | Dash Lower STLT |
| 74 | 873 68 06-00 | Nut Crownlock 3/8-16 unc |
| 90 | 532 12 43-46 | Nut Self-Thd Wsh-Hd 1/4 |
| 142 | 532 17 57-02 | Plate Reinforcement STLT |
| 143 | 532 18 66-89 | Bracket Swaybar Chassis |
| 144 | 532 17 55-82 | Bracket Footrest STLT |
| 145 | 532 15 65-24 | Rod Pivot Chassis/Hood |
| 159 | 532 19 24-04 | Cupholder |
| 206 | 532 17 01-65 | Bolt Shoulder 5/16-18 TT |
| 207 | 817 67 05-08 | Screw Thdrol 5/16-18 x 1/2 TYTT |
| 208 | 817 67 06-08 | Screw Thdrol 3/8-16 x 1/2 TYT BL |
| 209 | 817 00 06-12 | Screw Hexwsh Thdr 3/8-16 x 3/4 |
| 212 | 532 18 35-48 | Insert Lens Reflective |
| 217 | 532 18 54-36 | Console Fuel Window |
| 258 | 532 18 52-14 | Lens Husq. Laser LT Clear RH |
| 259 | 532 18 52-13 | Lens Husq. Laser LT Clear LH |
| 260 | 532 18 54-29 | Cover Lens Husq. Laser LT |
| 261 | 532 18 54-33 | Insert Grille |
| 272 | 532 18 88-96 | Vent Hood RH |
| 273 | 532 18 88-95 | Vent Hood LH |
| 278 | 532 19 16-11 | Screw 10 x 3/4 Single Lead-Hex |

NOTE: All component dimensions given in U. S. inches
1 inch = 25.4 mm

REPAIR PARTS

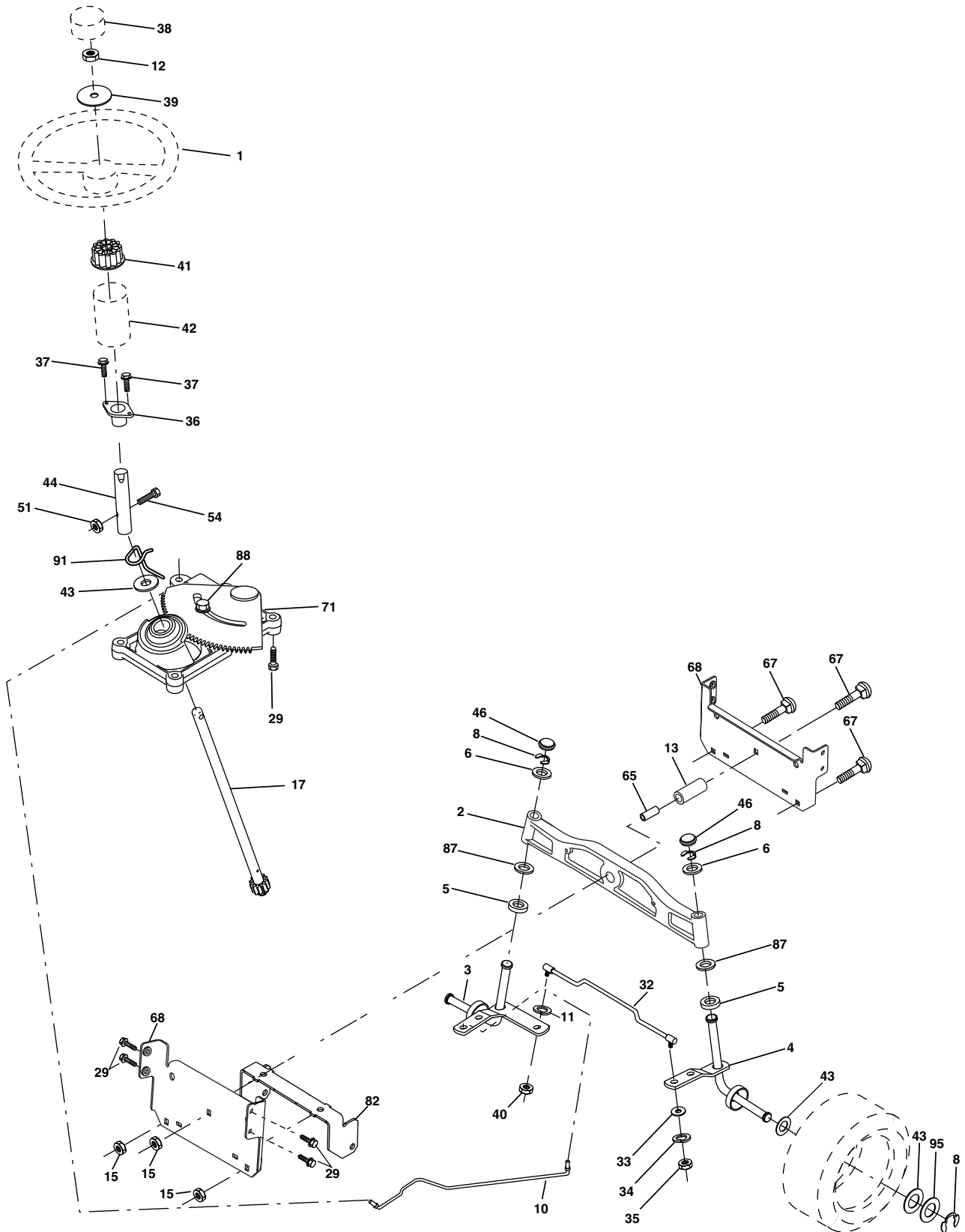
TRACTOR - MODEL NO. LTH1842 (HAU1842A), PRODUCT NO. 954 17 02-38 DRIVE

| KEY NO. | PART NO. | DESCRIPTION | KEY NO. | PART NO. | DESCRIPTION |
|---------|--------------|---|---------|--------------|-----------------------------------|
| 1 | ----- | Transaxle Hydro gear Model 336-0510 (Order parts from transaxle manufacturer) | 76 | 812 00 00-01 | E-Ring |
| 6 | 817 06 05-12 | Screw 5/16-18 | 77 | 532 12 35-83 | Key, Square |
| 9 | 532 16 08-89 | Clutch | 78 | 532 12 17-48 | Washer 25/32 x 1-5/8 x 16 Ga. |
| 15 | 874 49 05-44 | Bolt Hex Flghd 5/16-18 Gr. 5 | 89 | 532 19 19-15 | Console, Shift |
| 16 | 873 80 05-00 | Nut Lock Hex W/Ins. 5/16-18 unc | 95 | 532 18 08-25 | Rod Bypass |
| 17 | 532 12 61-97 | Washer 1-1/2 OD x 15/32 ID x .250 | 96 | 532 12 47-88 | Retainer Spring |
| 19 | 873 80 06-00 | Nut Lock Hex W/Wsh 3/8-16 unc | 120 | 873 90 06-00 | Nut Lock Flg 3/8-16 unc |
| 20 | 532 15 02-80 | Bolt Hex 7/16-20 x 4-1/4 | 144 | 872 14 05-06 | Bolt Rdhd Sqnk 5/16-18 unc x 3/4 |
| 21 | 532 18 14-54 | Knob Custom Control Cruise | 150 | 532 17 54-56 | Spacer Retainer |
| 22 | 532 17 58-96 | Rod, Brake | 151 | 819 13 32-10 | Washer 13/32 x 2 x 10 Ga. |
| 23 | 532 17 12-58 | Bracket Asm. Anti-Rotation | 202 | 872 11 06-14 | Bolt Carr Sh 3/8-16 x 1-3/4 Gr. 5 |
| 24 | 873 35 06-00 | Nut, Hex Jam 3/8-16 unc | 214 | 532 17 47-35 | Link Transaxle |
| 25 | 532 19 20-36 | Spring, Brake Rod | 217 | 532 17 94-33 | Pedal Reverse |
| 26 | 819 13 13-16 | Washer | 218 | 532 17 47-13 | Arm Control Pedal Reverse |
| 27 | 876 02 04-12 | Pin Cotter 1/8 x 3/4 CAD. | 219 | 532 17 48-39 | Bracket Frest Pdl Ctrl. Hyd |
| 28 | 532 17 57-65 | Rod, Parking Brake | 220 | 532 17 47-11 | Bracket Mtg. Pedal Control |
| 29 | 532 07 16-73 | Cap, Brake, Park | 221 | 872 14 06-06 | Bolt Rdhd Sqnk 3/8-16 unc x 3/4 |
| 30 | 532 16 95-92 | Bracket, Transaxle | 222 | 873 68 07-00 | Nut Crownlock 7/16-14 unc |
| 32 | 874 76 05-12 | Bolt Hex Hd 5/16-18 unc x 3/4 | 223 | 532 17 48-40 | Washer Nylon 11/16 ID x .060 |
| 33 | 872 14 05-06 | Bolt Rdhd Sqnk 5/16-18 unc x 3/4 | 224 | 532 17 47-36 | Pedal Forward |
| 34 | 532 17 55-78 | Shaft, Foot Pedal | 225 | 532 17 47-12 | Arm Control Pedal Forward |
| 35 | 532 12 01-83 | Bearing, Nylon | 226 | 532 17 49-02 | Bolt Pivot Spacer |
| 36 | 819 21 16-16 | Washer | 227 | 532 17 47-10 | Cam Reverse Pedal LT |
| 37 | 532 12 49-63 | Pin, Roll | 228 | 532 17 90-32 | Bolt Shoulder 5/16-18 |
| 38 | 532 17 91-14 | Pulley, Composite | 229 | 532 17 64-51 | Washer Serrated 5/16 x .75 |
| 39 | 872 11 06-22 | Bolt Rdhd 3/8-16 unc x 2-3/4 Gr. 5 | 231 | 532 17 45-73 | Strap Torque |
| 41 | 532 17 55-56 | Keeper, Belt Idler Flat | 232 | 532 17 55-70 | Actuator Cruise Disengage |
| 47 | 532 12 77-83 | Pulley, Idler, V-Groove | 233 | 532 17 48-56 | Pawl Control Cruise |
| 48 | 532 15 44-07 | Bellcrank Clutch Grnd Drw Stl | 234 | 532 17 48-58 | Lever Control Cruise |
| 49 | 532 12 32-05 | Retainer, Belt | 235 | 532 17 48-57 | Sector Control Cruise |
| 50 | 872 11 06-12 | Bolt Carr. SH 3/8-16 x 1-1/2 Gr. 5 | 236 | 532 12 89-03 | Bolt Shoulder 3/8-16 unc 1/44 |
| 51 | 873 68 06-00 | Nut Crownlock 3/8-16 unc | 237 | 532 17 01-65 | Bolt Shoulder 5/16-18 |
| 52 | 873 68 05-00 | Nut, Crownlock 5/16-18 unc | 238 | 532 17 58-07 | Arm Mtg. Cruise Sector |
| 53 | 532 10 57-10 | Link, Clutch | 239 | 817 49 05-08 | Screw Thdrol 5/16 x 1/2 |
| 55 | 532 10 57-09 | Spring, Return, Clutch | 240 | 532 17 56-10 | Spring Return Cruise Control |
| 56 | 817 06 06-20 | Screw 3/8-16 x 1-1/4 | 241 | 873 93 04-00 | Nut Centerlock 1/4-20 unc |
| 57 | 532 14 02-94 | V-Belt, Ground Drive | 242 | 874 78 04-12 | Bolt Fin Hex 1/4-20 unc x .75 |
| 59 | 532 16 96-91 | Keeper, Center Span | 244 | 817 49 05-10 | Screw 5/16-18 x 5/8 |
| 61 | 817 12 06-14 | Screw 3/8-16 x .875 | 251 | 817 06 05-16 | Screw 5/16-18 x 1 |
| 62 | 532 12 35-33 | Cover, Pedal | 252 | 819 13 16-16 | Washer 13/32 x 1 x 16 Ga. |
| 63 | 532 17 54-14 | Pulley, Engine | 253 | 532 17 94-22 | Washer .312 x .615 x 16 Ga. |
| 65 | 810 04 07-00 | Washer | 263 | 817 00 06-12 | Screw Hexwsh Thdr 3/8-16 x 3/4 |
| 66 | 532 15 47-78 | Keeper Belt Engine | 272 | 817 67 05-08 | Screw Thdrol 5/16-18 x 1/2 |
| 69 | 532 14 24-32 | Screw Hex Wsh Hi-Lo 1/4 x 1/2 unc | 273 | 532 17 96-10 | Pad Pedal Reverse |
| 74 | 532 13 70-57 | Spacer, Axle | 274 | 532 17 56-46 | Cover Pedal Forward |
| 75 | 532 12 17-49 | Washer 25/32 x 1-1/4 x 16 Ga. | 276 | 532 17 80 62 | Clip Retainer |

NOTE:All component dimensions give in U.S. inches.
1 inch = 25.4 mm.

REPAIR PARTS

TRACTOR - MODEL NO. LTH1842 (HAU1842A), PRODUCT NO. 954 17 02-38
STEERING ASSEMBLY



steering_pl.lt_29

REPAIR PARTS

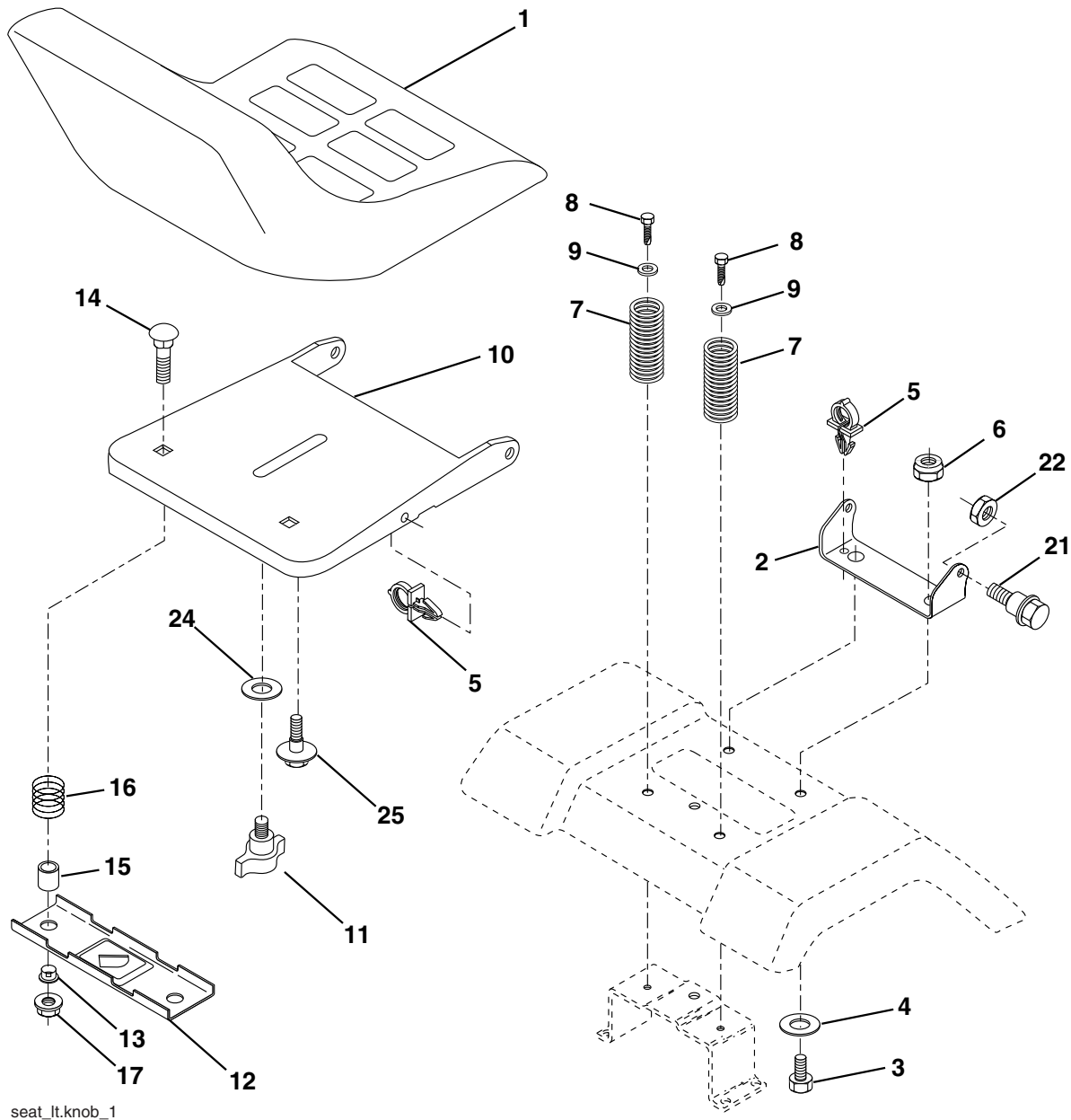
TRACTOR - MODEL NO. LTH1842 (HAU1842A), PRODUCT NO. 954 17 02-38 STEERING ASSEMBLY

| KEY NO. | PART NO. | DESCRIPTION |
|---------|--------------|-----------------------------------|
| 1 | 532 16 66-27 | Wheel Steering |
| 2 | 532 18 47-06 | Axle |
| 3 | 532 16 98-40 | Spindle Asm LH |
| 4 | 532 16 98-39 | Spindle Asm RH |
| 5 | 532 12 49-31 | Bearing Race Thrust Harden |
| 6 | 532 12 17-48 | Washer 25/32 x 1-5/8 x 16 Ga. |
| 8 | 812 00 00-29 | Ring Klip #t5304-75 |
| 10 | 532 17 51-21 | Link Drag |
| 11 | 810 04 06-00 | Washer Lock Hvy Hlcl Spr 3/8 |
| 12 | 873 94 08-00 | Nut Hex Jam Toplock 1/2-20 unf |
| 13 | 532 13 65-18 | Spacer Brg Axle Front |
| 15 | 532 14 52-12 | Nut Hex Flange Lock |
| 17 | 532 18 06-41 | Shaft Asm Strg |
| 29 | 817 00 06-12 | Screw 3/8-16 x 3/4 |
| 32 | 532 17 18-88 | Rod Tie |
| 33 | 819 11 12-16 | Washer 11/32 x 3/4 x 16 Ga. |
| 34 | 810 04 05-00 | Washer Lock Hry Hlcl Spr 5/16 |
| 35 | 873 54 05-00 | Crownlock Nut 5/16 - 24 unf |
| 36 | 532 15 50-99 | Bushing Strg |
| 37 | 532 15 29-27 | Screw TT #32.5 x 5 x 3/8 Flange |
| 38 | 532 16 66-26 | Cap Wheel Steer |
| 39 | 819 18 24-11 | Washer 9/16 ID x 1-1/2 OD 11 Ga. |
| 40 | 873 54 06-00 | Nut Crownlock 3/8-24 unf |
| 41 | 532 15 99-45 | Adaptor Wheel Strg |
| 42 | 532 16 96-34 | Boot Dash Steering |
| 43 | 532 12 17-49 | Washer 25/32 x 1 1/4 x 16 Ga. |
| 44 | 532 18 06-40 | Extension Steering Shaft |
| 46 | 532 12 12-32 | Cap Spindle Fr Top Blk |
| 51 | 873 54 04-00 | Nut Crownlock 1/4-28 |
| 54 | 871 13 04-20 | Bolt Hex 1/4-28 unf x 1-1/4 Ga. 8 |
| 65 | 532 16 03-67 | Spacer Brace Axle |
| 67 | 872 11 06-18 | Bolt Rdhd Sq 3/8-16 x 2-1/4 |
| 68 | 532 16 98-27 | Brace, Axle |
| 71 | 532 17 51-46 | Steering Asm |
| 82 | 532 16 98-35 | Bracket Susp Chassis Front |
| 87 | 532 17 39-66 | Washer Flat .781 x 1-1/2 x .14 |
| 88 | 532 17 51-18 | Bolt Shoulder 7/16-20 |
| 91 | 532 17 55-53 | Clip Steering |
| 95 | 532 18 89-67 | Washer Harden .793 x 1.637 x 060 |

NOTE: All component dimensions given in U.S. inches
1 inch = 25.4 mm.

REPAIR PARTS

TRACTOR - MODEL NO. LTH1842 (HAU1842A), PRODUCT NO. 954 17 02-38
SEAT ASSEMBLY



seat_lt.knob_1

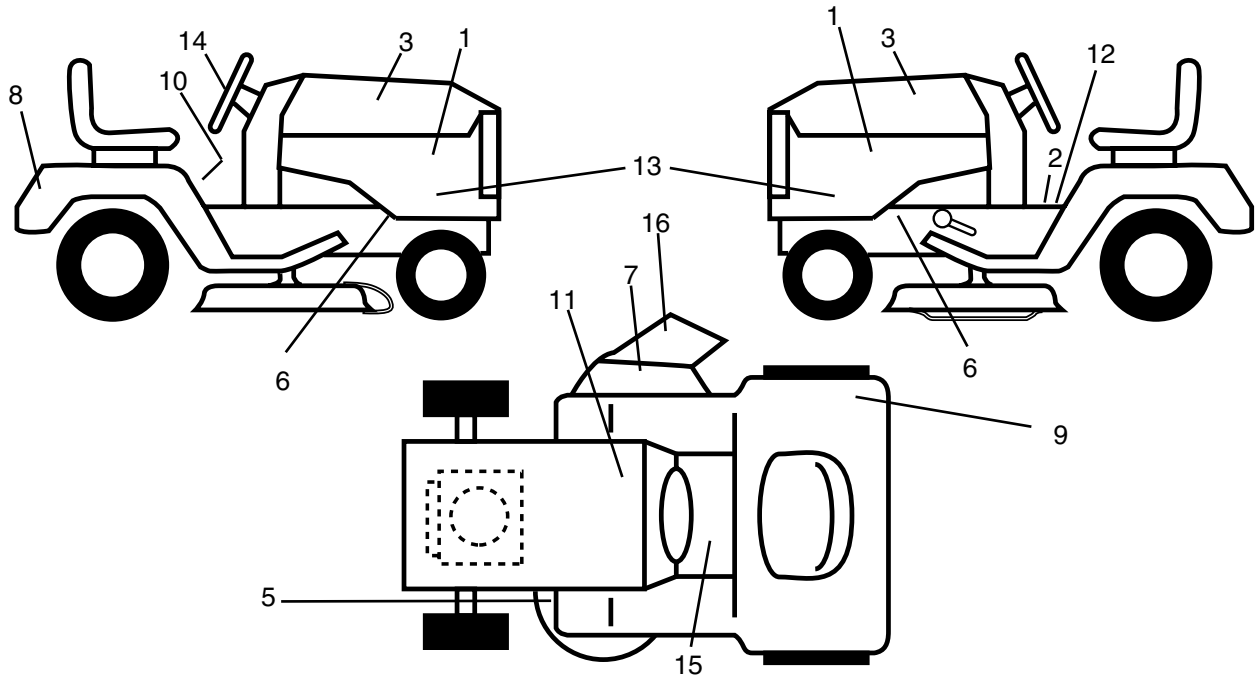
| KEY NO. | PART NO. | DESCRIPTION |
|---------|--------------|--------------------------------|
| 1 | 532 18 49-92 | Seat |
| 2 | 532 14 05-51 | Bracket Pivot Seat |
| 3 | 871 11 06-16 | Bolt Hex 3/8-16 unc x 1 |
| 4 | 819 13 16-10 | Washer 13/32 x 1 x 10 Ga. |
| 5 | 532 14 50-06 | Clip Push-In Hinged |
| 6 | 873 80 06-00 | Nut Lock Hex w/Ins. 3/8-16 Unc |
| 7 | 532 12 41-81 | Spring Seat Cprsn 2 250 Blk Zi |
| 8 | 817 00 06-16 | Screw 3/8-16 x 1-1/2 |
| 9 | 819 13 16-14 | Washer 13/32 x 1 x 14 Ga. |
| 10 | 532 18 24-93 | Pan Seat |
| 11 | 532 16 63-69 | Knob Seat |
| 12 | 532 12 12-46 | Bracket Mounting Switch |

| KEY NO. | PART NO. | DESCRIPTION |
|---------|--------------|----------------------------------|
| 13 | 532 12 12-48 | Bushing Snap Blk Nyl 50 Id |
| 14 | 872 05 04-12 | Bolt Rdhd Sht Nk 1/4-20 x 1-1/2 |
| 15 | 532 13 43-00 | Spacer |
| 16 | 532 12 12-50 | Spring Cprsn |
| 17 | 532 12 39-76 | Nut Lock 1/4 Lge Flg Gr. 5 Zinc |
| 21 | 532 17 18-52 | Bolt Shoulder 5/16-18 unc-2A |
| 22 | 873 80 05-00 | Nut Lock Hx w/Ins 5/16-18 unc PL |
| 24 | 819 17 19-12 | Washer 17/32 x 1-3/16 x 12 Ga |
| 25 | 532 12 70-18 | Bolt Shoulder 5/16-18 x 62 |

NOTE: All component dimensions given in U.S. inches
1 inch = 25.4 mm.

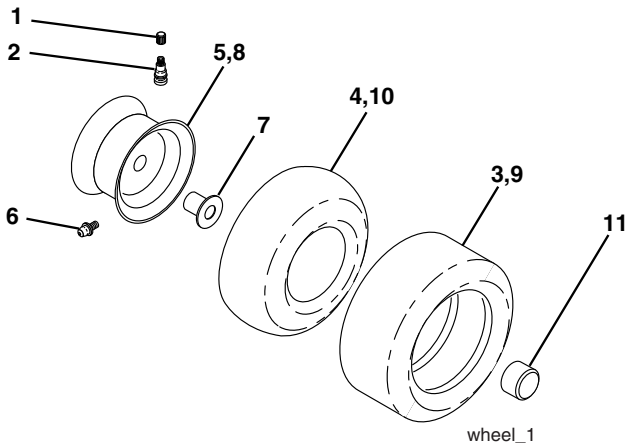
REPAIR PARTS

TRACTOR - MODEL NO. LTH1842 (HAU1842A), PRODUCT NO. 954 17 02-38
DECAL



| KEY NO. | PART NO. | DESCRIPTION | KEY NO. | PART NO. | DESCRIPTION |
|---------|--------------|-------------------------------|---------|--------------|---|
| 1 | 532 18 89-23 | Decal, Hood SV Engine | 15 | 532 15 97-37 | Decal, Brake/Clutch Symbol |
| 2 | 532 14 08-37 | Decal, Brake Parking Sandle | 16 | 532 17 91-28 | Decal, Deck "B" |
| 3 | 532 18 89-21 | Decal, Hood | -- | 532 16 25-98 | Decal Drawbar Load Limit |
| 5 | 532 16 03-96 | Decal, V-Belt Sch. | -- | 532 16 69-60 | Decal By Pass Lt Hydro |
| 6 | 532 15 97-36 | Decal, Chassis Hot Muffler | -- | 532 13 83-11 | Decal, Handle Lift Height Adjust. (Lift Handle) |
| 7 | 532 18 21-66 | Decal, Mower Cutfinger Symbol | -- | 532 18 14-95 | Pad, Footrest LH |
| 8 | 532 19 31-78 | Decal, Logo, Fender | -- | 532 18 14-96 | Pad, Footrest RH |
| 9 | 532 16 88-69 | Decal, Tick Mark | -- | 532 19 31-76 | Manual, Owner's (English) |
| 10 | 532 14 54-98 | Decal, Read Owners Manual | | | |
| 11 | 532 14 50-05 | Decal, Bat Dan/Poi P/L Sym | | | |
| 12 | 532 17 83-02 | Decal, Oper. Cruise Symbols | | | |
| 13 | 532 19 31-77 | Decal, Sidepnl | | | |
| 14 | 532 18 89-25 | Decal, Wheel Steering | | | |

WHEELS & TIRES

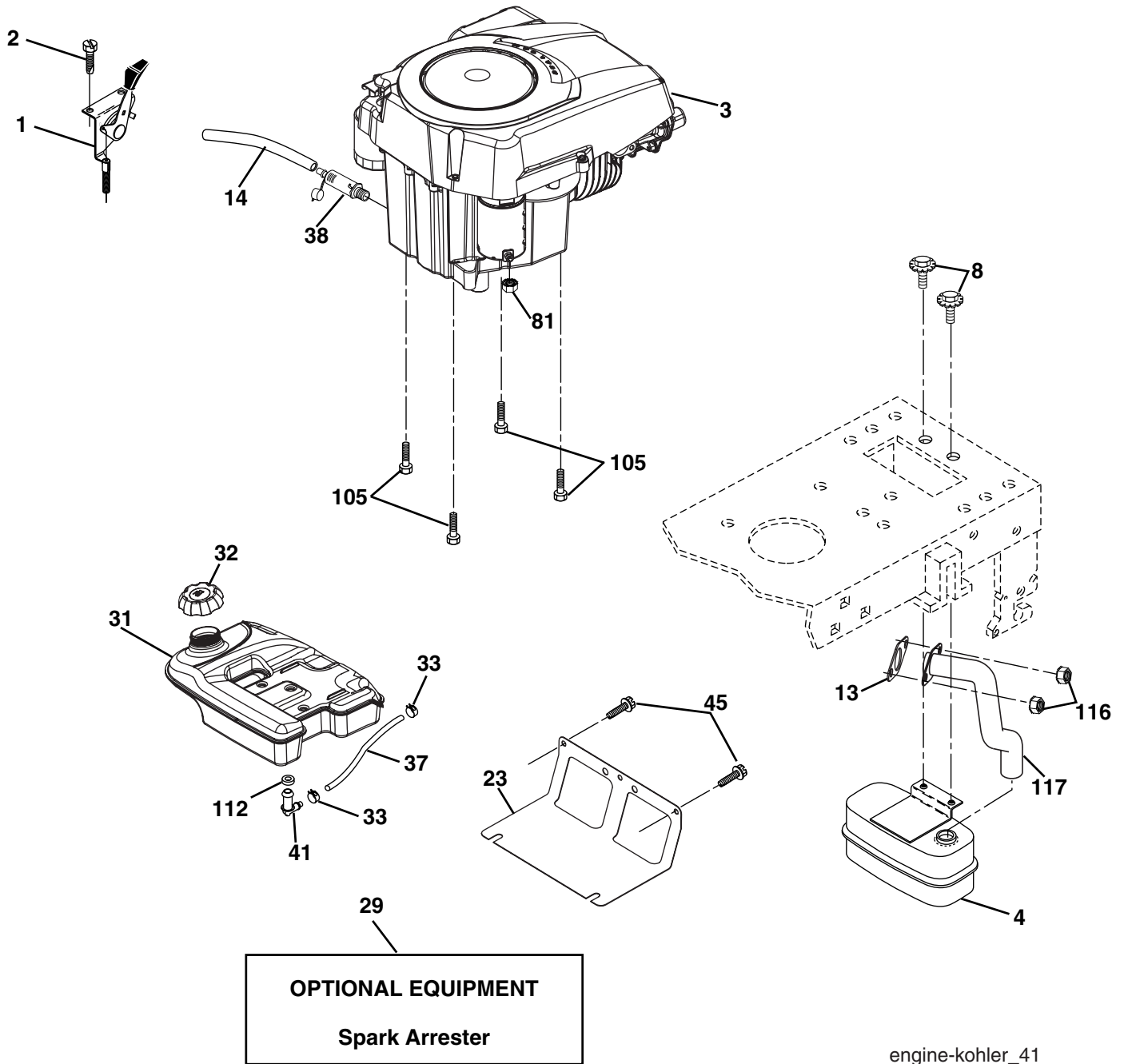


| KEY NO. | PART NO. | DESCRIPTION |
|---------|--------------|-----------------------------------|
| 1 | 532 05 91-92 | Cap Valve Tire |
| 2 | 532 06 51-39 | Stem Valve |
| 3 | 532 10 62-22 | Tire F Ts 15 x 6 0 - 6 Service |
| 4 | 532 05 99-04 | Tube Front (Service Item Only) |
| 5 | 532 13 83-36 | Rim Asm 6" front Service |
| 6 | 532 12 49-57 | Fitting Grease (Front Wheel Only) |
| 7 | 532 12 49-59 | Bearing Flange (Front Wheel Only) |
| 8 | 532 13 83-37 | Rim Asm 8" Rear Silver Service |
| 9 | 532 12 20-82 | Tire R Ts 20 x 10-8 C Service |
| 10 | 532 12 49-26 | Tube Rear (Service Item Only) |
| 11 | 532 17 50-39 | Cap Axle Blk 1 50 x 1 00 |
| -- | 532 14 43-34 | Sealant, Tire (10 oz. tube) |

NOTE: All component dimensions given in U.S. inches
1 inch = 25.4 mm

REPAIR PARTS

TRACTOR - MODEL NO. LTH1842 (HAU1842A), PRODUCT NO. 954 17 02-38
ENGINE



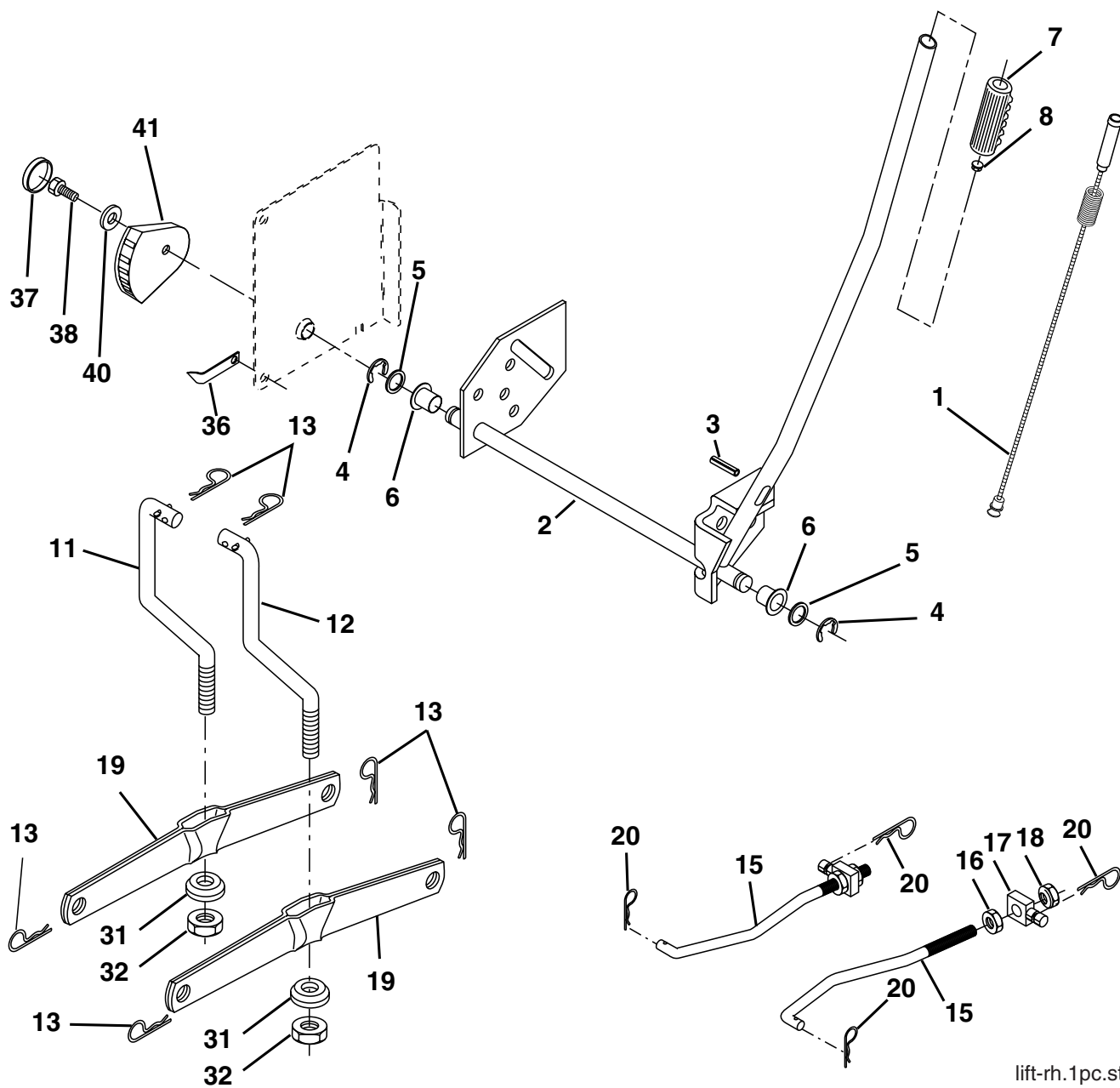
| KEY NO. | PART NO. | DESCRIPTION |
|---------|--------------|--|
| 1 | 532 17 08-05 | Control, Throttle |
| 2 | 817 72 04-08 | Screw, Hex Head, Thread Cutting 1/4-20 x 1/2 |
| 3 | ----- | Engine, Kohler Model Number SV540 (Order Parts From Engine Manufacturer) |
| 4 | 532 18 86-55 | Muffler |
| 8 | 532 17 18-77 | Bolt 5/16-18 unc x 3/4 w/Sems |
| 13 | 532 18 59-09 | Muffler Gasket |
| 14 | 532 14 84-56 | Tube Drain Oil Easy |
| 23 | 532 16 98-37 | Shield, Browning / Debris Guard |
| 29 | 532 13 71-80 | Kit, Spark Arrestor |
| 31 | 532 17 90-22 | Tank Fuel 3 50 Rear |

| KEY NO. | PART NO. | DESCRIPTION |
|---------|--------------|--------------------------------|
| 32 | 532 18 18-03 | Cap Fuel Asm |
| 33 | 532 12 34-87 | Clamp, Hose |
| 37 | 532 14 21-58 | Line, Fuel |
| 38 | 532 18 16-54 | Plug Drain Oil Easy |
| 41 | 532 13 92-77 | Stem Fuel Tank |
| 45 | 817 00 06-12 | Screw Hexwash Thdr |
| 81 | 873 51 04-00 | Nut, Keps Hex 1/4-20 unc |
| 105 | 817 12 06-16 | Screw 3/8-16 x 1 SMGML TAP/R |
| 112 | 532 12 49-52 | Bushing |
| 116 | 532 18 43-62 | Nut Hex Flange Toplock M8-1.25 |
| 117 | 532 18 86-54 | Tube Exhaust |

NOTE: All component dimensions given in U.S. inches
1 inch = 25.4 mm

REPAIR PARTS

TRACTOR - MODEL NO. LTH1842 (HAU1842A), PRODUCT NO. 954 17 02-38
MOWER LIFT



lift-rh.1pc.stlt_5

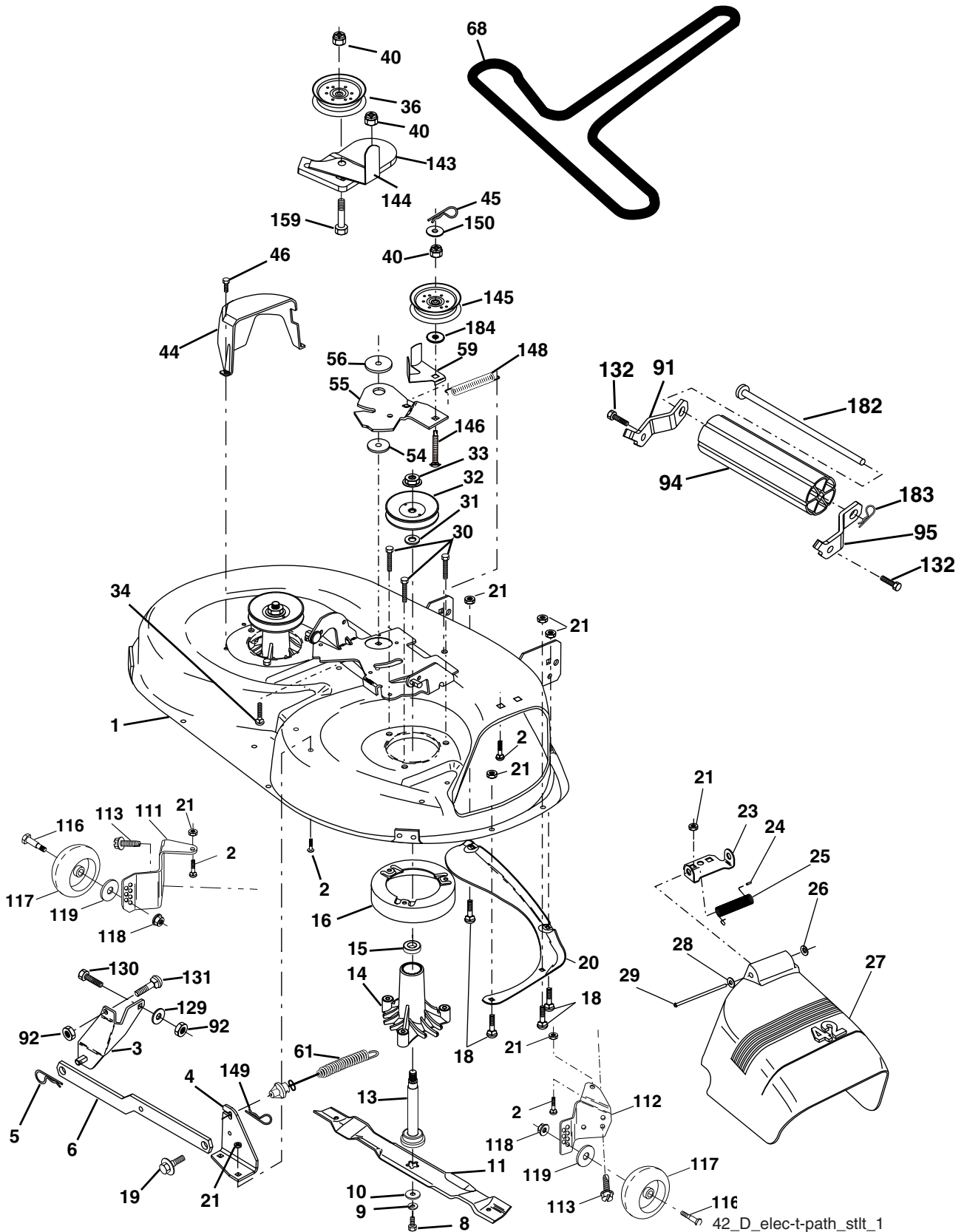
| KEY NO. | PART NO. | DESCRIPTION |
|---------|--------------|--------------------------------|
| 1 | 532 15 94-60 | Wire Asm Inner/Sprg w/plngr LT |
| 2 | 532 15 94-71 | Shaft Asm Lift |
| 3 | 532 10 57-67 | Pin Groove |
| 4 | 812 00 00-02 | E Ring #5133-62 |
| 5 | 819 21 16-21 | Washer 21/32 x 1 x 21 Ga. |
| 6 | 532 12 01-83 | Bearing Nylon Blk 629 Id |
| 7 | 532 12 56-31 | Grip Handle |
| 8 | 532 12 45-26 | Button Plunger Black |
| 11 | 532 13 98-65 | Link Lift LH Mower |
| 12 | 532 13 98-66 | Link Lift RH Mower |
| 13 | 532 12 46-70 | Retainer Spring |
| 15 | 532 17 32-88 | Link Front |
| 16 | 873 35 08-00 | Nut Jam Hex 1/2-13 unc |
| 17 | 532 17 56-89 | Trunnion |

| KEY NO. | PART NO. | DESCRIPTION |
|---------|--------------|-------------------------------|
| 18 | 873 80 08-00 | Nut Lock w/wsh 1/2-13 unc |
| 19 | 532 13 98-68 | Arm Suspension Rear |
| 20 | 532 16 35-52 | Retainer Spring |
| 31 | 532 16 98-65 | Bearing PT Lift |
| 32 | 873 54 06-00 | Nut Crownlock 3/8-24 |
| 36 | 532 15 50-97 | Pointer Height Ind |
| 37 | 532 12 39-35 | Plug Hole |
| 38 | 817 06 05-16 | Screw 5/16-18 x 1 |
| 40 | 819 11 24-10 | Washer 11/32 x 1-1/2 x 10 Ga. |
| 41 | 532 15 50-98 | Ind Height STLTL |

NOTE: All component dimensions given in U.S. inches
1 inch = 25.4 mm

REPAIR PARTS

TRACTOR - MODEL NO. LTH1842 (HAU1842A), PRODUCT NO. 954 17 02-38
MOWER DECK



REPAIR PARTS

TRACTOR - MODEL NO. LTH1842 (HAU1842A), PRODUCT NO. 954 17 02-38
MOWER DECK

| KEY NO. | PART NO. | DESCRIPTION | KEY NO. | PART NO. | DESCRIPTION |
|---------|--------------|----------------------------------|---------|--------------|--|
| 1 | 532 16 58-92 | Housing Asm Mower 42"94 T-Path | 61 | 532 17 48-82 | Spring Ext. Elect |
| 2 | 872 14 05-06 | Bolt Rdhd Sqnk 5/16-18 unc x 3/4 | 68 | 532 17 48-83 | V-Belt Mower |
| 3 | 532 13 80-17 | Bracket Asm Fr Sway Bar 38/42 | 91 | 532 18 05-32 | Bracket Asm Noseroller LH |
| 4 | 532 16 54-60 | Bracket Asm Deck 42"sway Bar | 92 | 873 80 06-00 | Nut Lock Hex w/Ins. 3/8-16 unc |
| 5 | 532 12 46-70 | Retainer Spring | 94 | 532 13 22-64 | Roller Nose 38 & 42 |
| 6 | 532 17 80-24 | Bar Sway Deck | 95 | 532 18 05-33 | Bracket Asm Noseroller RH |
| 8 | 532 85 08-57 | Bolt 3/8-24 x 1 25 Gr. 8 Patched | 111 | 532 17 92-92 | Bracket Gauge Wheel Lh |
| 9 | 810 03 06-00 | Washer Lock Hvy 3/8 Unplated | 112 | 532 17 92-93 | Bracket Gauge Wheel Rh |
| 10 | 532 14 02-96 | Washer Hard Blade Mower Vented | 113 | 817 00 05-10 | Screw 3/8-16 x .625 |
| 11 | 532 13 89-71 | Blade Mower High Lift" | 116 | 532 12 48-42 | Bolt Shoulder |
| 13 | 532 13 76-45 | Shaft Asm W/lower Bearing | 117 | 532 16 57-46 | Wheel Gauge |
| 14 | 532 12 87-74 | Housing Mandrel Vented(machd) | 118 | 873 93 06-00 | Nut Centerlock 3/8-16 unc |
| 15 | 532 11 04-85 | Bearing Ball Mandrel | 119 | 819 12 14-14 | Washer 3/8 x 7/8 x 14 Ga. |
| 16 | 532 17 44-93 | Stripper Round Mower | 129 | 819 13 13-12 | Washer 13/32 x 13/16 x 12 Ga. |
| 18 | 872 14 05-05 | Bolt Carr 5/16-18 x 5/8 | 130 | 874 78 06-16 | Bolt Fin Hex 3/8-16 unc x 1 Gr. 5 |
| 19 | 532 13 28-27 | Bolt Shoulder | 131 | 872 14 06-08 | Bolt Rdhd Sqnk 3/8-16 unc x1 |
| 20 | 532 15 97-70 | Baffle Vortex 42 | 132 | 817 00-06-12 | Screw 3/8-16 x .75 |
| 21 | 873 68 05-00 | Nut Crown Lock 5/16-18 | 143 | 532 15 71-09 | Bracket Arm Idler |
| 23 | 532 17 75-63 | Bracket Deflector Mower 42" | 144 | 532 15 86-34 | Keeper Belt |
| 24 | 532 10 53-04 | Cap Sleeve 80 x 112 Blk Mower | 145 | 532 16 58-88 | Pulley Idler Flat |
| 25 | 532 12 37-13 | Spring Torsion Deflector 2 52 | 146 | 532 17 19-77 | Bolt Carriage Idler |
| 26 | 532 11 04-52 | Nut Push Phos & Oil | 148 | 532 16 90-22 | Spring Return Idler |
| 27 | 532 17 18-59 | Shield Deflector | 149 | 532 16 58-98 | Retainer Spring Yellow |
| 28 | 819 11 10-16 | Washer 11/32 x 5/8 x 16 Ga. | 150 | 819 09 12-10 | Washer 9/32 x 3/4 x 10 Ga. |
| 29 | 532 13 14-91 | Rod Hinge 42" 6 75 Wlg | 159 | 872 14 06-14 | Bolt RDHD Sqnk 3/8-16 x 1-3/4 |
| 30 | 532 17 39-84 | Screw Thd Rolling | 182 | 532 17 91-26 | Rod Roller Nose |
| 31 | 532 18 76-90 | Washer Spacer | 183 | 532 16 35-52 | Retainer Spring |
| 32 | 532 15 35-35 | Pulley Mandrel | 184 | 819 13 14-10 | Washer 13/32 x 7/8 x 10 Ga. |
| 33 | 532 17 83-42 | Nut 9/16top Lock Flng | -- | 532 13 07-94 | Mandrel Assembly (Includes Housing, Shaft and Shaft Hardware Only-Pulley Not Included) |
| 34 | 872 11 06-12 | Bolt RDHD 3/8-16 x 1-1/2 | -- | 532 17 62-07 | Replacement Mower, Complete (Std. Deck - Order separately nose roller and gauge wheel components key nos. 91, 94, 95, 132, 182, 183 and 116-119) |
| 36 | 532 13 14-94 | Pulley Idler Flat 3 060 | | | |
| 40 | 873 90 06-00 | Nut Lock 3/8-16 unc | | | |
| 44 | 532 14 00-88 | Guard Mandrel LH Black | | | |
| 45 | 532 12 47-88 | Retainer Spring | | | |
| 46 | 532 13 77-29 | Screw Thdrol 1/4-20 x 5/8 | | | |
| 54 | 532 17 85-15 | Washer Hardened | | | |
| 55 | 532 15 50-46 | Arm Idler 42" mower LT/YT | | | |
| 56 | 532 16 57-23 | Spacer Retainer Mower | | | |
| 59 | 532 14 10-43 | Guard, Belt | | | |

NOTE: All component dimensions given in U.S. inches
 1 inch = 25.4 mm