

# R152 SV

**Spare parts**

**Ersatzteile**

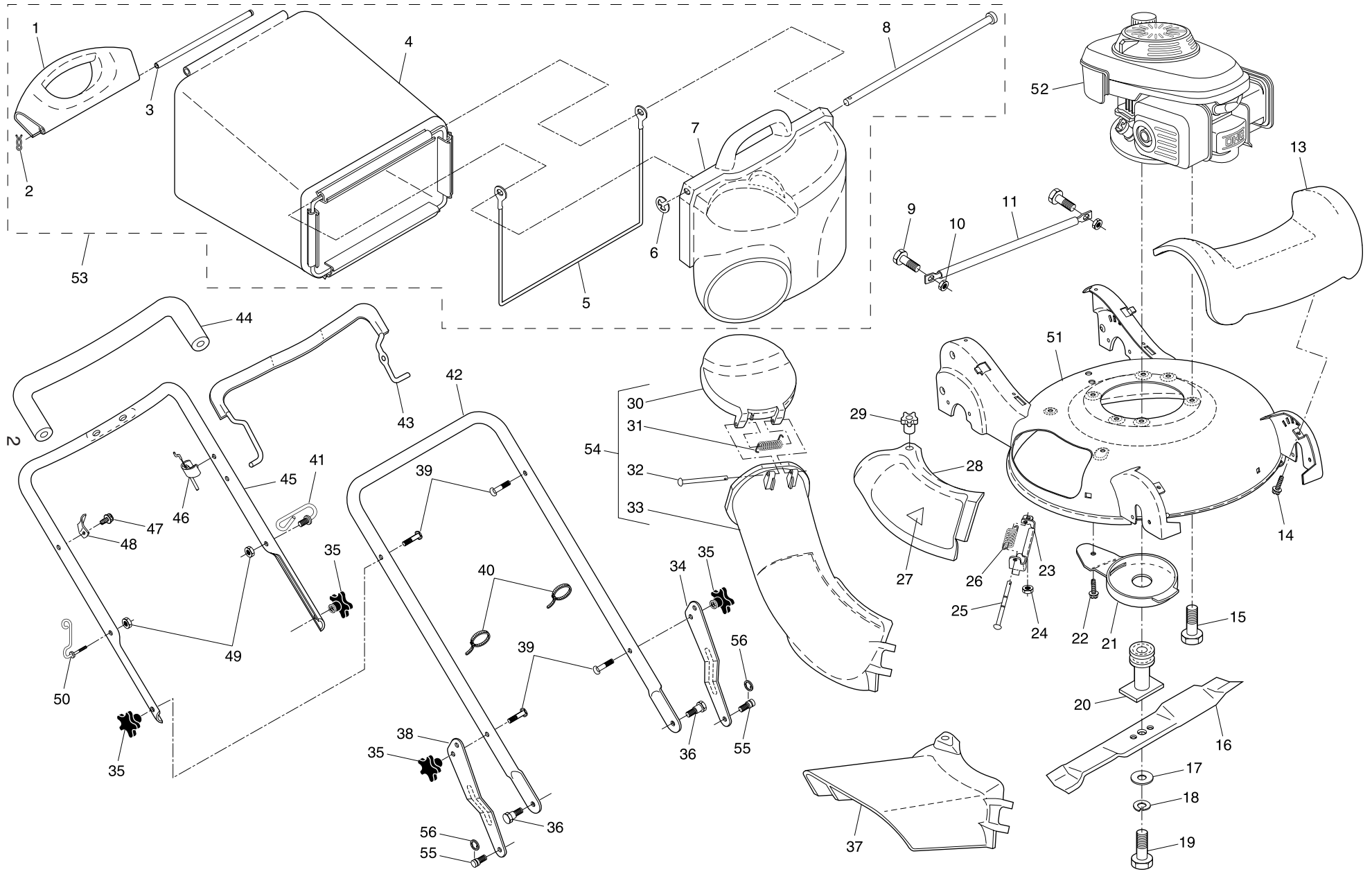
**Pièces détachées**

**Reserve onderdelen**

**Repuestos**

**Reservdelar**

# ROTARY LAWN MOWER - - MODEL NUMBER R152SV (R152SVB) PRODUCT NUMBER 954 17 02-33



# ROTARY LAWN MOWER - - MODEL NUMBER R152SV (R152SVB) PRODUCT NUMBER 954 17 02-33

KEY NO.	PART NO.	DESCRIPTION
1	532 19 05-82	Handle, Grassbag, Rear
2	532 06 53-22	Hairpin Cotter
3	532 18 34-83	Rod, Rear Handle, Grassbag
4	532 19 03-96	Grassbag
5	532 18 85-06	Frame, Grassbag
6	812 00 00-14	E-Ring
7	532 19 05-81	Door, Grassbag
8	532 18 34-79	Rod, Pivot
9	872 14 04-05	Bolt
10	873 80 04-00	Nut, Hex, Nylock 1/4-20
11	532 19 06-92	Tube, Rear Skirt
13	532 19 05-19	Cover, Front
14	532 18 45-72	Screw, Hex Washer Head
15	532 15 04-06	Bolt, Engine Mounting
16	532 16 58-33	Blade, 21"
17	532 85 10-74	Washer, Hardened
18	532 85 02-63	Washer, Lock
19	532 19 17-60	Bolt, Hex Head, Grade 8 3/8-24
20	532 18 67-66	Adapter, Blade
21	532 19 05-16	Debris Shield
22	817 60 04-06	Screw, Hex Head, Serrated
23	532 18 36-09	Mounting Bracket, Mulcher Door
24	532 75 11-52	Nut, Hex
25	532 18 34-45	Rod, Hinge
26	532 18 34-46	Spring, Mulcher Door
27	532 18 21-66	Decal, Danger
28	532 19 05-15	Mulcher Door
29	532 18 34-47	Knob
30	532 19 05-80	Door, Discharge Chute
31	532 18 34-78	Spring, Door, Discharge Chute
32	532 18 34-45	Rod, Door, Discharge Chute

KEY NO.	PART NO.	DESCRIPTION
33	532 19 05-78	Discharge Chute, Plastic
34	532 19 06-19	Adjustment Bracket, Lower Handle, LH
35	532 18 55-88	Knob, Star
36	532 18 34-65	Bolt, Shoulder
37	532 18 59-96	Deflector, Discharge
38	532 19 06-21	Adjustment Bracket, Lower Handle, RH
39	532 18 45-68	Bolt, Handle
40	532 06 64-26	Wire Tie
42	532 18 70-96	Handle Assembly, Lower
43	532 18 62-98	Bail, Control
44	532 18 27-48	Grip, Foam
45	532 18 62-96	Handle Assembly, Upper (Includes Foam Grip)
46	532 18 34-73	Cable, Engine Zone Control
47	532 18 45-70	Screw
48	532 12 52-03	Bracket, Upstop
49	532 18 45-69	Nut, Hex
50	532 18 85-01	Rope Guide
51	532 19 06-10	Kit, Housing
52	- - -	Engine, Honda, Model Number GCV190 (Order parts from Engine Manufacturer)
53	532 18 94-79	Grassbag Assembly, Complete (Consists of Key Numbers 1-8)
54	532 18 90-14	Discharge Chute Assembly, Complete (Consists of Key Numbers 30 through 33)
55	<b>532 18 86-28</b>	Stud, Shoulder, T45
56	<b>812 00 00-58</b>	E-Ring, T45
--	532 19 12-59	Opeator's Manual, European
--	532 19 12-60	Opeator's Manual, Scandinavian

**NOTE:** All component dimensions given in U.S. inches.  
1 inch = 25.4 mm

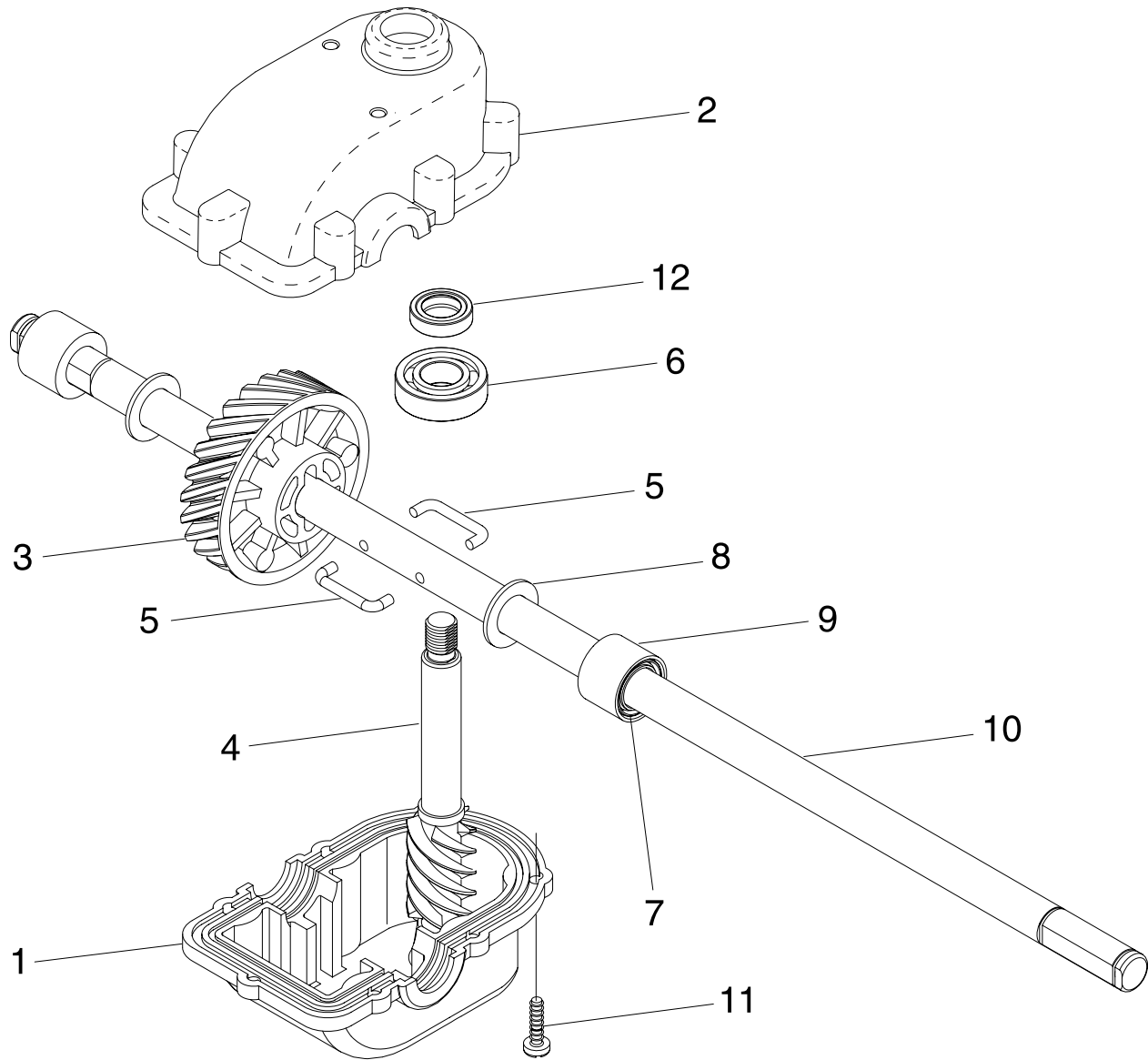


# ROTARY LAWN MOWER - - MODEL NUMBER R152SV (R152SVB) PRODUCT NUMBER 954 17 02-33

KEY NO.	PART NO.	DESCRIPTION	KEY NO.	PART NO.	DESCRIPTION
1	532 18 53-12	Drive Control Assembly, Complete (Consists of Key Numbers 2 through 7)	30	532 18 34-57	Cover, Dust, Wheel
2	532 18 82-79	Cover, Drive Control, Top	31	532 08 83-48	Washer, Flat 3/8
3	532 18 73-53	Pulley, Drive Control	32	532 18 86-31	Wheel Assembly, Rear 9 x 2-1/4
4	532 19 02-83	Lever, Drive Control (blue)	33	532 08 39-23	Nut, Hex
5	532 18 82-78	Cover, Drive Control, Bottom	34	532 18 36-95	Hubcap
6	532 18 16-98	Screw, Torx Head #8-5/8	35	532 18 59-94	Knob
7	532 18 70-97	Bracket, Mounting, Drive Control	36	532 18 82-91	Spring, Torsion
8	532 18 62-97	Cap, Drive Control, Bottom	37	532 17 50-98	Pawl
9	532 18 82-80	Cable, Drive Control	38	812 00 00-58	E-Ring
10	532 19 05-65	Cover Assembly, Drive	39	532 17 51-03	Gear
11	532 18 45-71	Screw	40	532 17 51-05	Retainer, Drive, LH
12	812 00 00-12	Ring, Retaining	41	532 17 51-04	Disc, Drive
13	532 18 34-50	Screw	42	532 18 41-72	Seal, Friction
14	532 18 71-20	Bearing / Axle Support	43	532 19 05-20	Lever, Selector, Wheel Height, Rear
15	532 18 82-94	Gear Case Assembly (See Breakdown)	44	532 19 05-18	Lever, Selector, Wheel Height, Front
16	532 13 20-04	Nut, Hex	45	532 16 34-09	Screw
17	532 19 11-81	Bracket, Gear Case / Drive Pulley	46	532 18 43-69	Wheel Assembly, Front 9 x 2-1/4
18	532 16 34-09	Screw	47	532 18 34-38	Bushing, Front Axle
19	532 18 94-08	Pulley, Drive	48	532 16 96-75	Retainer, Hairpin Cotter
20	532 13 20-10	Nut, Hex, Flangelock	49	532 18 70-89	Torque Shaft Assembly, Front
21	532 18 86-11	Bolt, Idler	50	532 18 36-88	Belt, Drive
22	532 18 45-43	Pulley Assembly, V-Groove	51	532 18 83-31	Pinion Assembly, LH
23	532 18 81-52	O-Ring	52	532 17 51-02	Retainer, Drive, RH
24	532 14 52-12	Nut, Hex, Flangelock	53	532 18 70-91	Rear Axle Assembly
25	873 93 05-00	Nut, Hex, Lock	54	532 18 83-30	Pinion Assembly, RH
26	532 18 70-98	Idler Arm	55	532 18 93-78	Decal, Drive Control
27	532 16 60-43	Pulley	56	532 18 93-79	Decal, Drive Control Adjustment (bottom)
28	532 16 08-29	Bolt, Hex Head, Shoulder	69	532 75 10-68	Bearing, Ball (Wheel)
29	817 06 04-10	Screw 1/4-20 x 1/16			

**NOTE:** All component dimensions given in U.S. inches.  
1 inch = 25.4 mm

**ROTARY LAWN MOWER - - MODEL NUMBER R152SV (R152SVB)  
 PRODUCT NUMBER 954 17 02-33  
 GEARCASE ASSEMBLY - PART NUMBER 532 18 82-94**



KEY NO.	PART NO.	DESCRIPTION
1	532 18 75-30	Case, Lower
2	532 19 12-45	Case, Upper
3	532 18 75-32	Gear, 24 Teeth
4	532 19 12-46	Shaft, Worm
5	532 18 35-05	Wireform
6	532 18 35-06	Bearing, Ball
7	532 18 35-08	Seal, Output Shaft
8	532 18 35-09	Washer
9	532 18 35-11	Bushing
10	532 19 12-47	Shaft, Output
11	532 18 35-13	Screw
12	532 18 35-14	Seal, Worm Shaft
--	532 75 03-69	Grease, Texaco Starplex Premium 1 (Do not substitute) (1.4 ounce capacity)

**NOTE:** All component dimensions given in U.S. inches.  
 1 inch = 25.4 mm