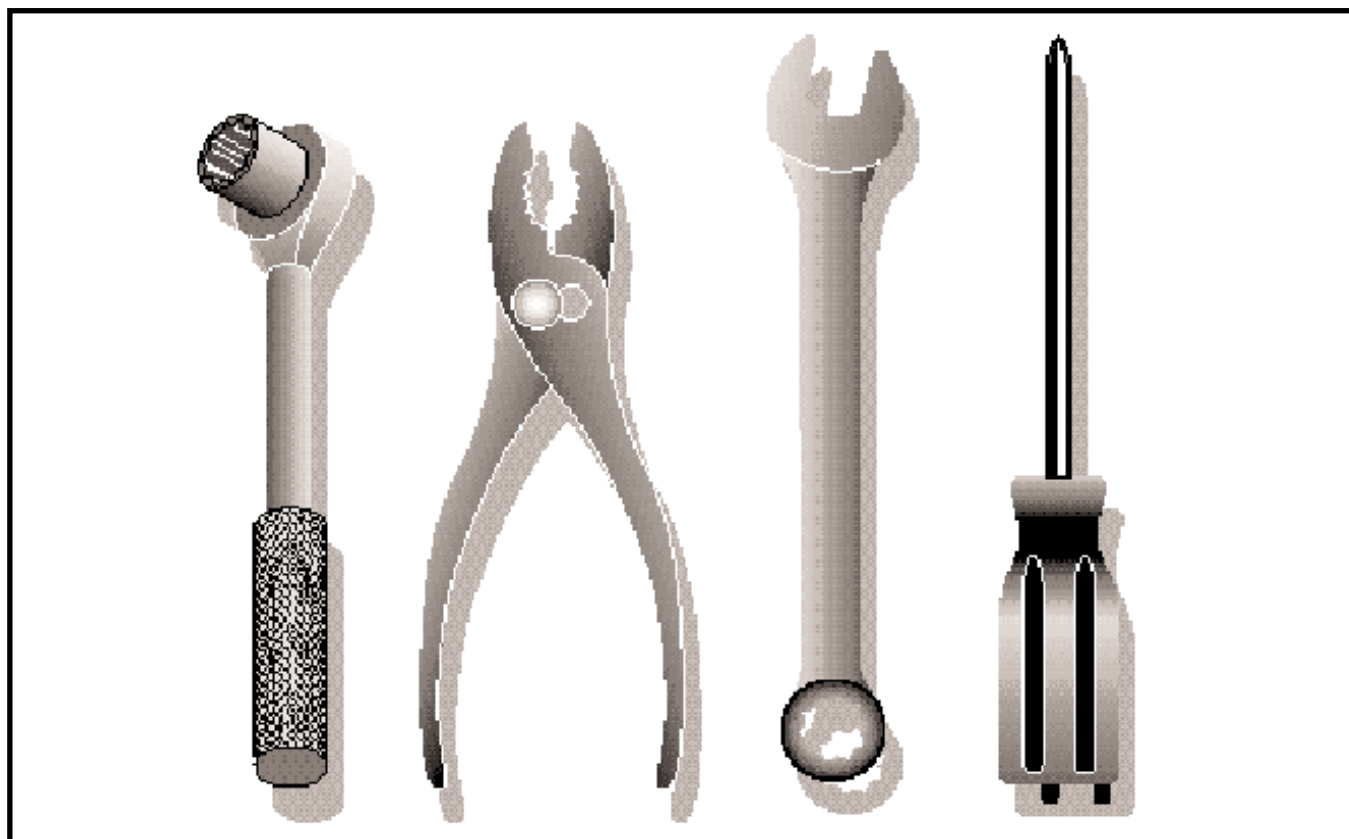


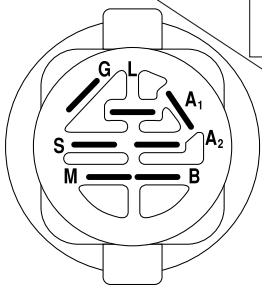
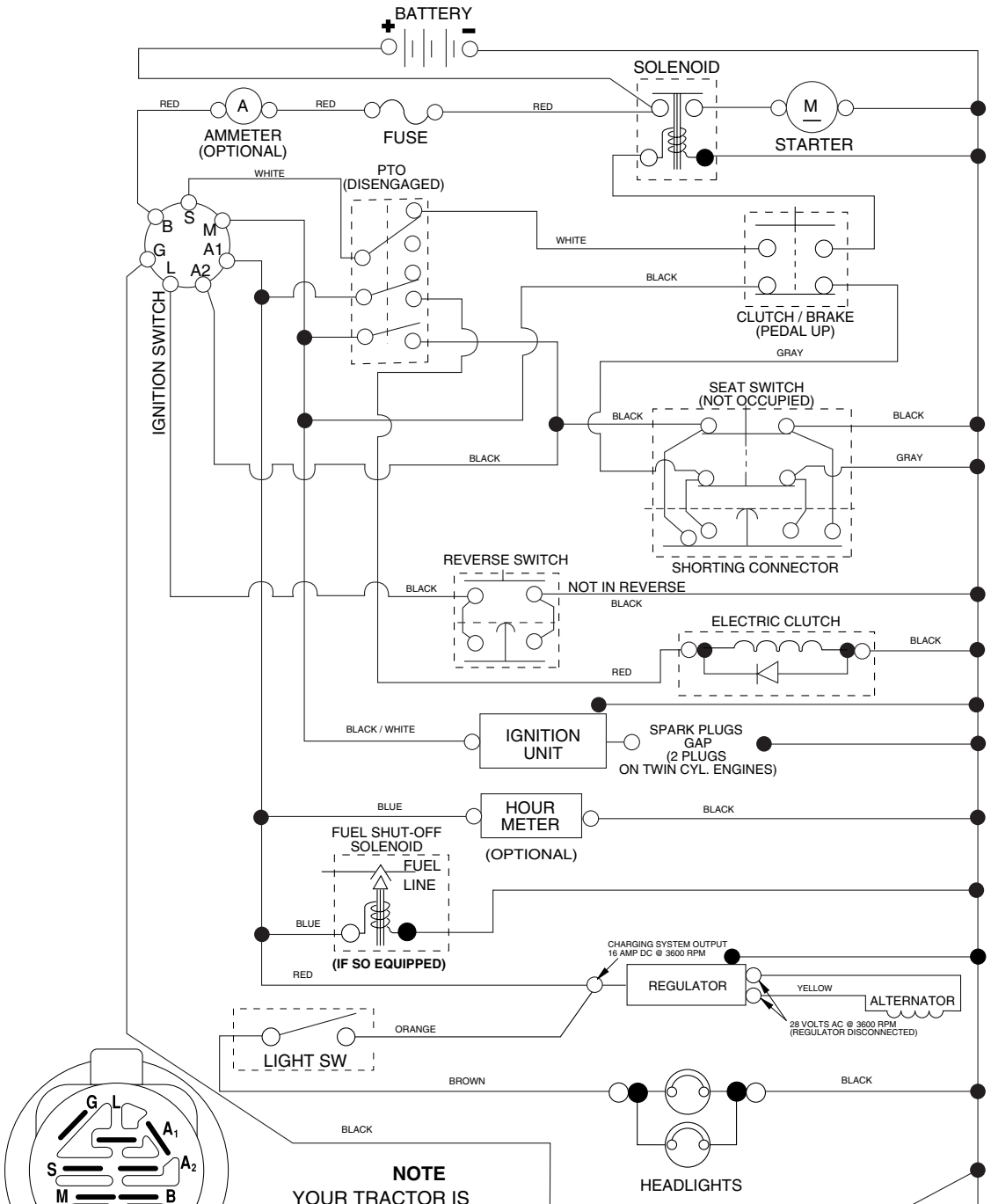
Ride Mower

GTH2654

96025000100



TRACTOR - - MODEL NO. GTH2654 (96025000100) PRODUCT NO. 960 25 00-01 SCHEMATIC



IGNITION SWITCH

| POSITION | CIRCUIT | "MAKE" |
|--------------|------------|--------|
| OFF | M+G+A1 | |
| RUN/OVERRIDE | B+A1 | |
| RUN | B+A1 | L+A2 |
| START | B + S + A1 | |

02833

NOTE
YOUR TRACTOR IS EQUIPPED WITH A SPECIAL ALTERNATOR SYSTEM. THE LIGHTS ARE NOT CONNECTED TO THE BATTERY, BUT HAVE THEIR OWN ELECTRICAL SOURCE. BECAUSE OF THIS, THE BRIGHTNESS OF THE LIGHTS WILL CHANGE WITH ENGINE SPEED. AT IDLE THE LIGHTS WILL DIM. AS THE ENGINE IS SPEEDED UP, THE LIGHTS WILL BECOME THEIR BRIGHTEST.

NON-REMOVABLE CONNECTIONS

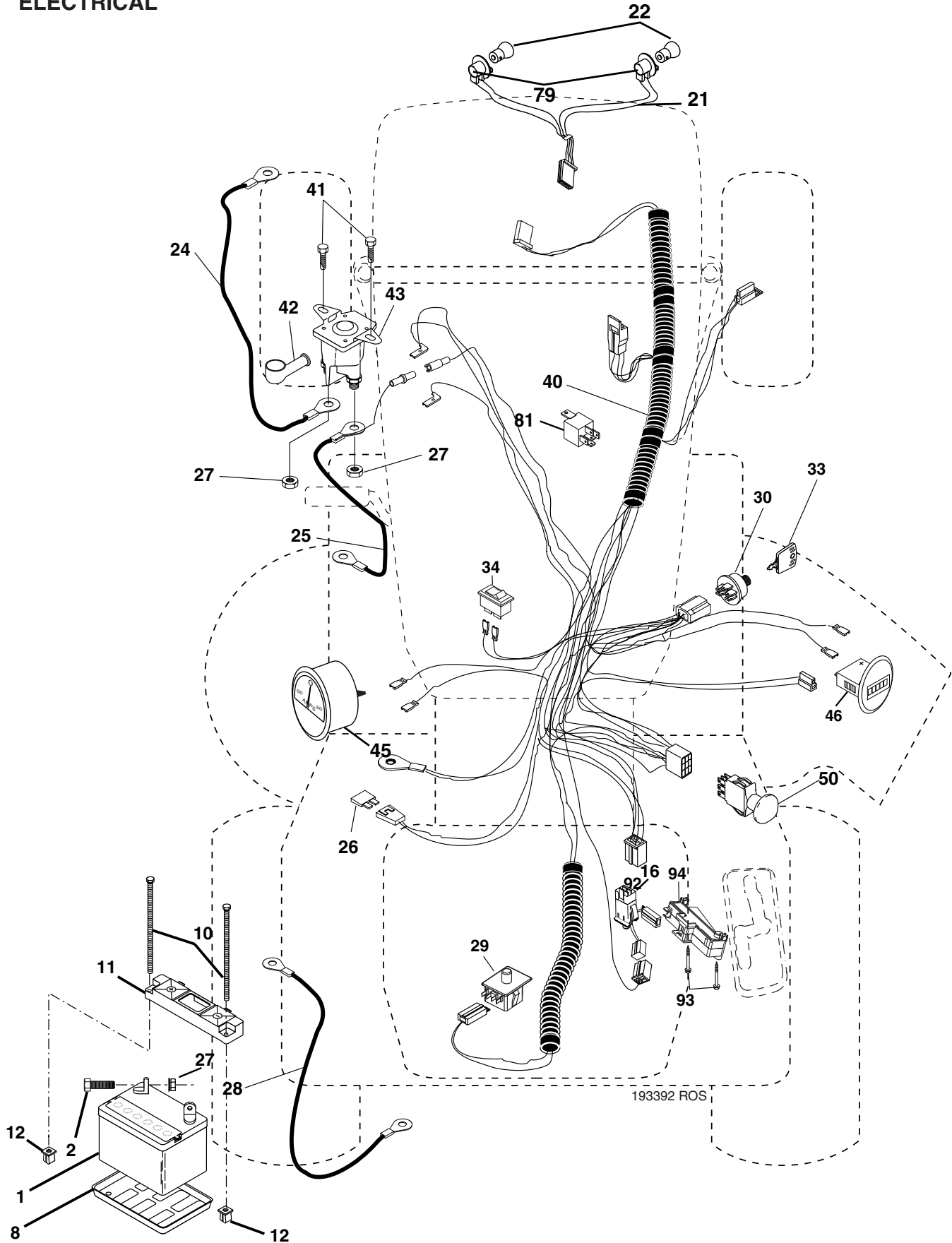
REMOVABLE CONNECTIONS

WIRING INSULATED CLIPS

NOTE: IF WIRING INSULATED CLIPS WERE REMOVED FOR SERVICING OF UNIT, THEY SHOULD BE REPLACED TO PROPERLY SECURE YOUR WIRING.

REPAIR PARTS

TRACTOR -- MODEL NO. GTH2654 (96025000100) PRODUCT NO. 960 25 00-01
ELECTRICAL



REPAIR PARTS

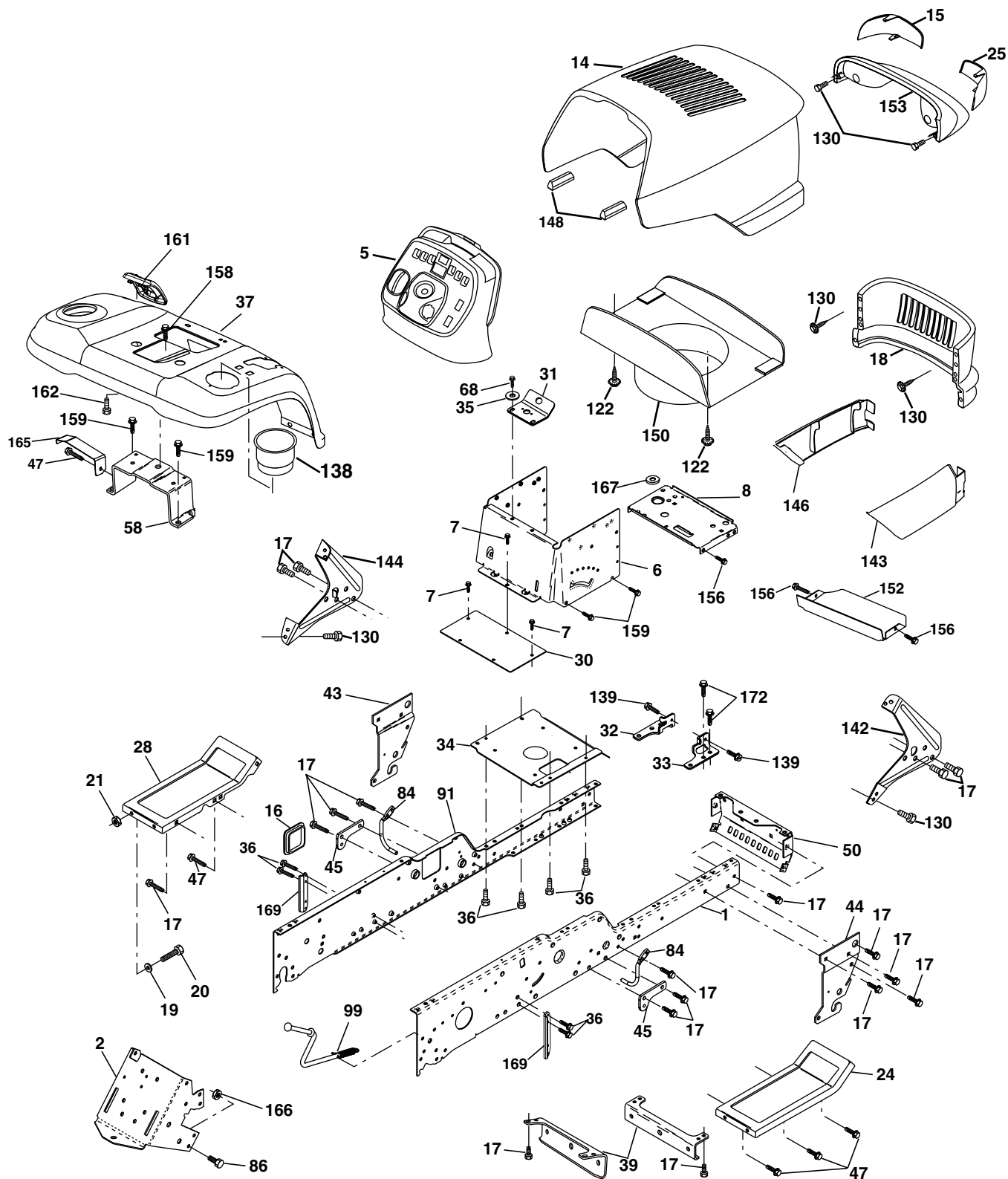
TRACTOR - - MODEL NO. GTH2654 (96025000100) PRODUCT NO. 960 25 00-01
ELECTRICAL

| KEY NO. | PART NO. | DESCRIPTION |
|---------|---------------------|---------------------------------------|
| 1 | 532 14 49-27 | Battery |
| 2 | 874 76 04-12 | Bolt Hex Head 1/4-20 x 3/4 |
| 8 | 532 12 48-86 | Tray, Battery |
| 10 | 532 14 52-11 | Bolt, Battery Front 1/4-20 x 7.5 Zinc |
| 11 | 532 15 01-09 | Holddown Battery Front Mount |
| 12 | 532 14 57-69 | Nut, Push Nylon 1.4" Battery Front |
| 16 | 532 17 61-38 | Switch Interlock Push-In |
| 21 | 532 17 56-88 | Harness Socket Light w/4152J |
| 22 | 532 00 41-52 | Bulb Light |
| 24 | 532 14 61-49 | Cable 6 Ga. Red 12.5 w/16 Wire |
| 25 | 532 18 54-64 | Cable |
| 26 | 532 10 88-24 | Fuse |
| 27 | 873 51 04-00 | Nut Keps Hex 1/4-20 |
| 28 | 532 17 06-97 | Cable Bolt Ground |
| 29 | 532 19 27-49 | Switch, Seat |
| 30 | 532 19 33-50 | Switch, Ign |
| 33 | 532 14 04-01 | Key |
| 34 | 532 11 07-12 | Switch Light/Reset B/B/Red |
| 40 | 532 19 33-92 | Harness Ign. |
| 41 | 817 72 04-08 | Screw THD Cut 1/4-20 x 1/2 |
| 42 | 532 13 15-63 | Cover, Terminal Red |
| 43 | 532 17 88-61 | Solenoid |
| 45 | 532 17 75-00 | Ammeter |
| 46 | 532 17 75-01 | Hourmeter |
| 50 | 532 19 61-12 | Switch, PTO |
| 79 | 532 17 52-42 | Bulbholder Asm |
| 92 | 532 19 34-65 | Harness Pigtail Reverse Switch |
| 93 | 532 19 25-40 | Screw 10-14 x 2.0 |
| 94 | 532 19 18-34 | Modual Reverse ROS |

NOTE: All component dimensions given in U.S. inches
1 inch = 25.4 mm

REPAIR PARTS

TRACTOR - - MODEL NO. GTH2654 (96025000100) PRODUCT NO. 960 25 00-01
CHASSIS AND ENCLOSURES



chassis-stealth_45

REPAIR PARTS

TRACTOR - - MODEL NO. GTH2654 (96025000100) PRODUCT NO. 960 25 00-01 CHASSIS AND ENCLOSURES

| KEY NO. | PART NO. | DESCRIPTION | KEY NO. | PART NO. | DESCRIPTION |
|---------|---------------------|--------------------------------|---------|--------------|---------------------------------|
| 1 | 532 18 03-75 | Rail, Kit RH | 56 | 532 17 60-16 | Bracket Asm., Susp Chassis Lh |
| 2 | 532 17 52-82 | Drawbar, Gt | 58 | 532 18 35-69 | Bracket Asm., Fender |
| 5 | 532 19 61-36 | Dash | 68 | 817 49 05-08 | Screw, 5/16-18 x 1/2 |
| 6 | 532 15 78-82 | Dash, 1PCS, Lower | 84 | 532 18 81-64 | Upstop 54" |
| 7 | 817 72 04-08 | Screw, Thd Cut 1/4-20 x 1/2 | 86 | 874 78 07-16 | Bolt, Fin Hex 7/16-14 unc |
| 8 | 532 18 46-68 | Support, Battery | 91 | 532 18 03-74 | Rail, Kit Lh |
| 14 | 532 19 00-55 | Hood Asm., Pnt | 99 | 532 17 71-43 | Rod Asm. Bypass |
| 15 | 532 16 18-41 | Lens LH | 122 | 532 19 25-12 | Screw Hex WSHD 8-18 x 7/8 |
| 16 | 532 12 17-94 | Cover, Access | 130 | 532 19 16-11 | Screw 10 x 3/4 Single Lead-Hex |
| 17 | 817 00 06-12 | Screw, 3/8-16 x 3/4 | 138 | 532 19 48-80 | Cupholder |
| 18 | 532 18 28-73 | Grille | 139 | 532 17 18-73 | Bolt Shoulder 5/16-18 |
| 19 | 819 13 13-12 | Washer 13/32 x 13/16 x 12 Ga. | 142 | 532 16 18-97 | Bracket Dash Stealth RH |
| 20 | 874 78 06-16 | Bolt, Fin Hex 3/8-16 x 1 | 143 | 532 17 75-86 | Skirt Grille RH |
| 21 | 873 80 06-00 | Nut, Crownlock 3/8-16 | 144 | 532 16 19-00 | Bracket Dash Stealth LH |
| 24 | 532 18 10-58 | Footrest, RH | 146 | 532 17 75-87 | Skirt Grille LH |
| 25 | 532 16 18-42 | Lens RH | 148 | 532 16 46-55 | Extrusion Bumper |
| 28 | 532 18 10-57 | Footrest, LH | 150 | 532 19 03-09 | Duct Heat Hood |
| 30 | 532 14 50-52 | Saddle | 152 | 532 17 79-56 | Shield, Browning |
| 31 | 532 16 14-19 | Bracket Supt 1-pc Vgt Steering | 153 | 532 18 82-12 | Lightbox Asm. |
| 32 | 532 16 13-27 | Bracket, Frame Pivot Lh | 156 | 817 00 05-12 | Screw 5/16-18 x 3/4 |
| 33 | 532 16 13-26 | Bracket, Frame Pivot Rh | 158 | 817 67 06-08 | Screw 3/8-16 x 1/2 |
| 34 | 532 17 70-18 | Plate Asm Engine Chassis | 159 | 817 00 06-12 | Screw Hexwsh Thdr. 3/8-16 x 3/4 |
| 35 | 819 11 11-16 | Washer 11/32 x 11/16 x 16 Ga. | 161 | 532 18 17-87 | Cosole Fuel Window |
| 36 | 817 06 05-12 | Screw 5/16-18 x 3/4 | 162 | 532 14 24-32 | Screw 1/4-1/2 Unc |
| 37 | 532 19 48-79 | Fender, Pnt. | 165 | 532 18 35-54 | Bracket Support Tank |
| 39 | 532 17 52-78 | Bracket, Axle Front | 166 | 873 68 07-00 | Nut, Lock Hex 7/16-14 unc |
| 43 | 532 13 69-39 | Bracket, Spnsn Front Lh | 167 | 532 18 46-72 | Bushing Snap Nylon 1.250 |
| 44 | 532 13 69-40 | Bracket, Spnsn Front Rh | 169 | 532 18 85-98 | Bracket |
| 45 | 532 18 72-70 | Bracket, Susp Arm | 172 | 817 12 06-14 | Screw 3/8-16 x .875 |
| 47 | 817 49 06-08 | Screw Thdrol 3/8-16 x 1/2 | | | |
| 50 | 532 17 54-76 | Bracket, Chassis Front | | | |

NOTE: All component dimensions given in U.S. inches
1 inch = 25.4 mm

REPAIR PARTS

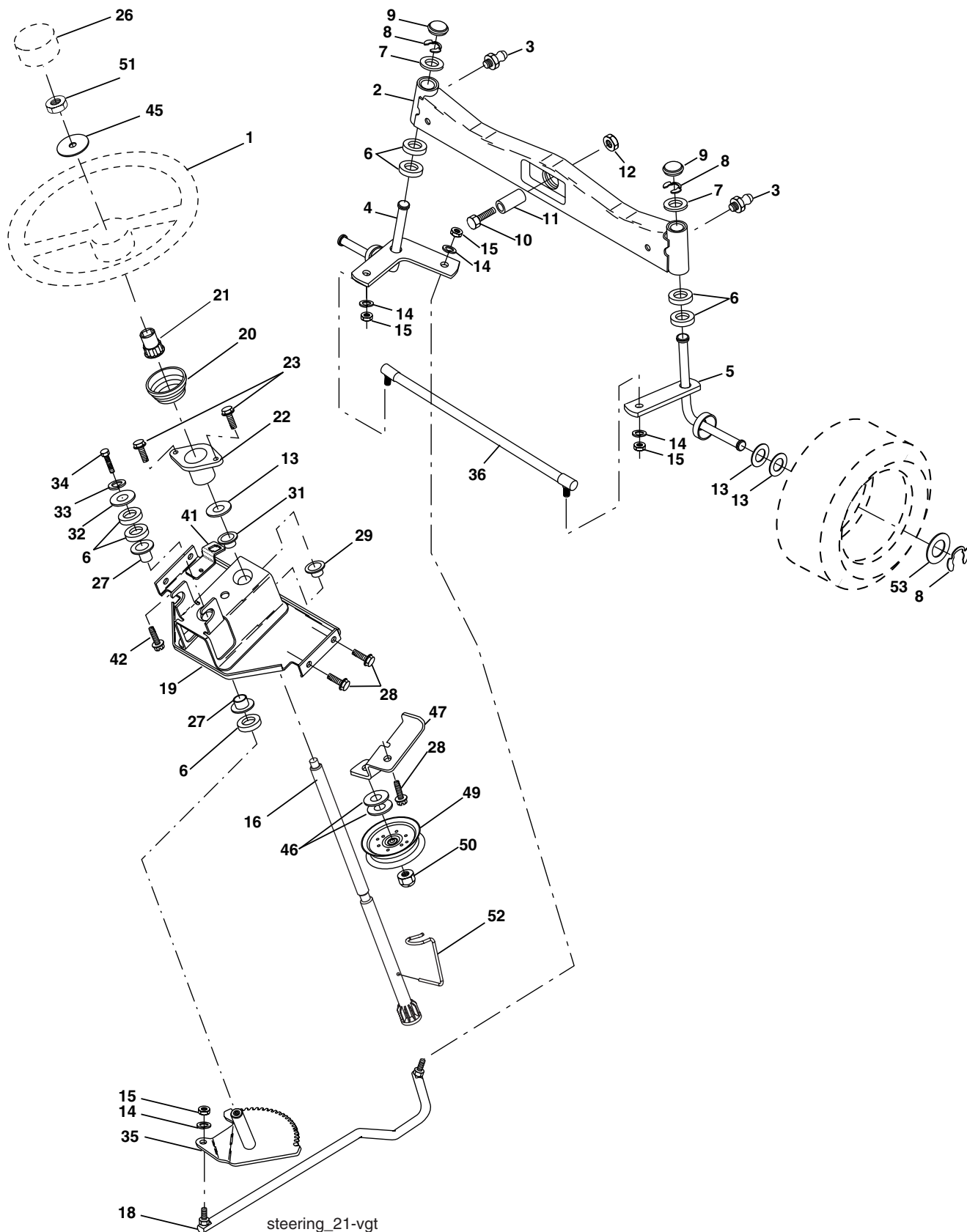
TRACTOR - - MODEL NO. GTH2654 (96025000100) PRODUCT NO. 960 25 00-01
GROUND DRIVE

| KEY NO. | PART NO. | DESCRIPTION | KEY NO. | PART NO. | DESCRIPTION |
|---------|--------------|---|---------|--------------|--------------------------------------|
| 1 | ----- | Transaxle Hydro Gear 331-3000 (Order Parts From Transaxle Manufacturer) | 94 | 532 13 38-35 | Fastener Christmas Tree |
| 2 | 532 00 70-70 | Key Sq. 1/4 x 1/4 x 2.5 | 98 | 532 14 10-04 | Bracket Shift |
| 3 | 532 00 75-63 | Washer Thrust | 106 | 532 14 29-18 | O-Ring Asm Hydro Gear |
| 6 | 876 02 04-12 | Pin, Cotter | 107 | 532 15 47-39 | Line Fuel Hydro 15" VGT |
| 7 | 532 14 05-07 | Wheel, Hub Assembly | 108 | 532 14 29-17 | Cap Asm Vent Hydro Gear |
| 9 | 532 14 00-80 | Bolt, Hub | 111 | 532 15 62-40 | Spacer Shift Lever VGTH |
| 20 | 873 94 08-00 | Nut | 112 | 532 17 85-58 | Washer Nylon High Temp |
| 22 | 532 18 02-35 | Lever Asm Shift | 114 | 873 80 05-00 | Nut Lock Hex W/Ins 5/16-18 unc |
| 23 | 532 14 08-45 | Knob | 117 | 873 90 06-00 | Nut, Lock Flg. 3/8-16 |
| 29 | 532 17 66-00 | Brake, Rod | 120 | 817 00 06-12 | Screw 3/8-16 x .75 |
| 33 | 812 00 00-53 | Ring E | 121 | 532 17 56-11 | Bracket Strap Torque |
| 34 | 532 07 16-73 | Cap, Parking Brake | 122 | 872 01 05-20 | Bolt RDHDSQ 5/16-18 unc x 2-1/2 |
| 35 | 532 13 76-48 | Rod, Parking Brake | 123 | 532 19 24-38 | Rod Shift |
| 36 | 532 14 94-12 | Spring, Drive Ground | 124 | 532 16 54-92 | Bolt Shoulder 5/16-18 x .561 |
| 37 | 532 12 17-49 | Washer 25/32 x 1-1/4 x 16 Ga. | 126 | 532 16 60-02 | Washer SRRTD 5/16 ID x 1.0 x .125 |
| 38 | 532 15 00-35 | Nyliner | 127 | 532 17 73-62 | Link Control Clutch |
| 39 | 874 32 10-16 | Screw, Fin. #10-24 x 1 | 128 | 532 17 66-24 | Spring Drive GRND |
| 40 | 532 17 85-75 | Actuator, Interlock VGT | 129 | 532 17 94-73 | Bracket Asm Idler Tensioning |
| 41 | 873 93 10-00 | Nut Centerlock 10-24 unc | 130 | 819 13 10-16 | Washer 13/32 x 5/8 x 16 Ga. |
| 42 | 532 12 48-72 | Cover, Pedal | 131 | 876 02 03-12 | Pin Cotter 3/32 x 3/4 |
| 46 | 532 14 51-70 | Retainer, Spring | 132 | 532 17 54-67 | Bracket Mtg Hydro 3500 LH VGT |
| 48 | 872 11 06-14 | Bolt Rdhd 3/8-16 x 1.3/4 Gr. 5 | 133 | 532 17 54-68 | Bracket Mtg Hydro 3500 RH VGT |
| 50 | 532 13 14-94 | Pulley, Idler, Flat | 135 | 532 17 73-64 | Link Asm Control Hydro 3500 |
| 52 | 532 12 77-83 | Pulley, Idler, Grooved | 137 | 532 12 49-49 | Nut Lock 5/16-18 NC Thd. |
| 55 | 532 10 57-06 | Bearing, Idler | 138 | 532 00 13-70 | Washer Thrust 5/8 x 1.10 x 1/32 |
| 56 | 532 16 15-97 | V-Belt | 142 | 532 17 54-69 | Strap Torque HG-3500 |
| 58 | 874 76 07-24 | Bolt Fin Hex 7/16-14 x 1-1/2 | 143 | 817 00 05-12 | Screw Thdrol 5/16-18 x 3/4 |
| 61 | 532 14 39-95 | Pulley, Transaxle | 145 | 532 16 31-68 | Washer Axle Flange HG-3000 |
| 64 | 532 17 66-01 | Shaft, Brake Pedal | 146 | 532 14 04-62 | Fan 7" Hydro |
| 65 | 532 17 96-13 | Bolt, Shoulder | 147 | 532 14 13-22 | Washer |
| 68 | 532 00 51-42 | Pin, Roll | 151 | 874 76 05-14 | Bolt Hex 5/16-18 x 7/8 |
| 69 | 532 12 38-00 | Washer | 152 | 532 17 87-05 | Bolt Hex 5/16 x 1 W/Patch |
| 70 | 532 19 48-77 | Console Automatic YT/GT | 153 | 532 12 47-88 | Spring, Retainer |
| 73 | 874 49 05-48 | Bolt Hex Flghd 5/16-18 x 3 Gr. 5 | | | |
| 74 | 532 14 24-32 | Screw Hex Wsh. Hi-Lo 1/4-1/2 | | | |
| 77 | 874 78 07-16 | Bolt Fin Hex 7/16-14 x 1 | | | |
| 89 | 873 68 07-00 | Nut Crownlock 7/16-14 unc | | | |

NOTE: All component dimensions given in U. S. inches 1 inch = 25.4 mm

REPAIR PARTS

TRACTOR - - MODEL NO. GTH2654 (96025000100) PRODUCT NO. 960 25 00-01
STEERING ASSEMBLY



REPAIR PARTS

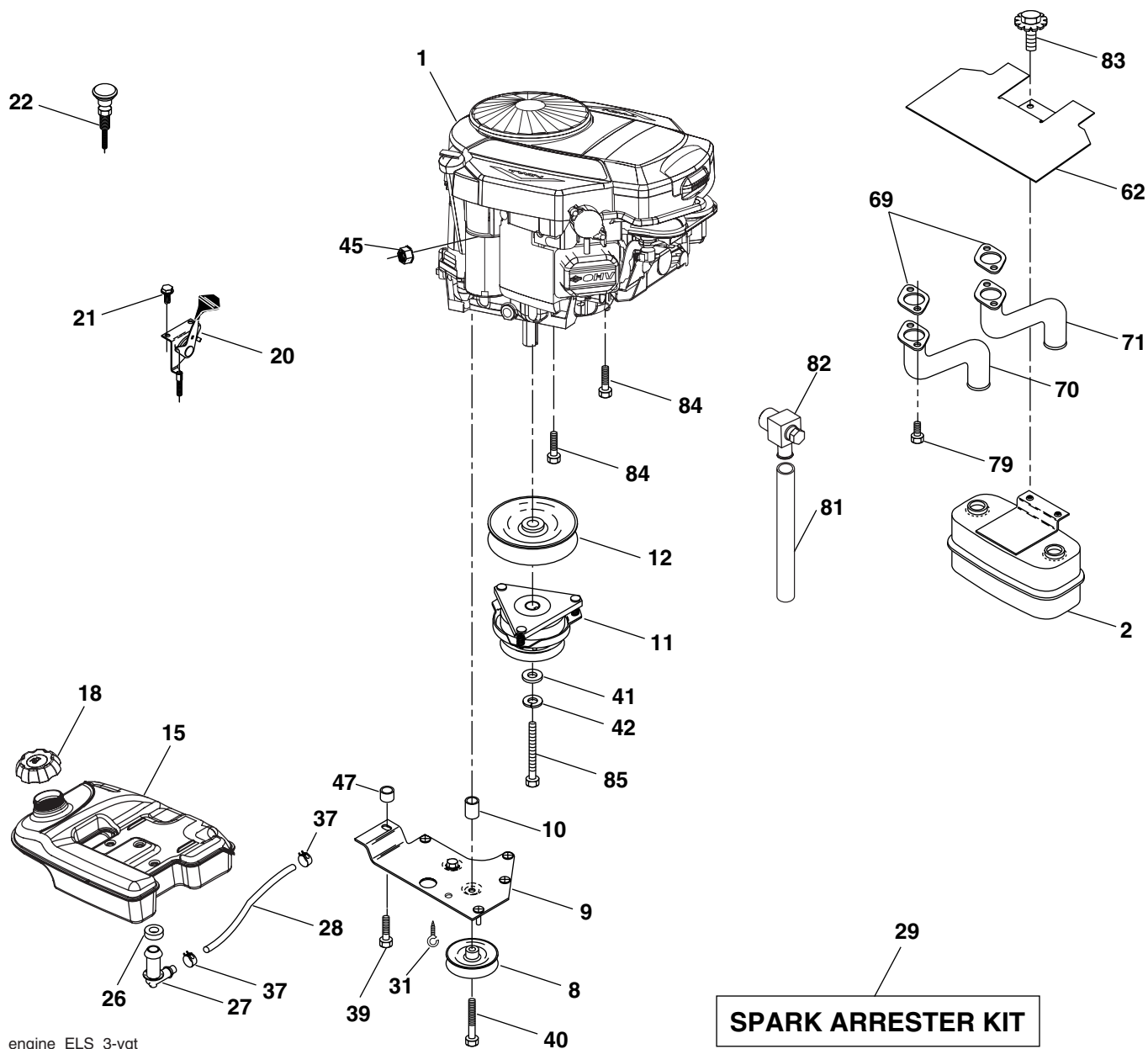
TRACTOR - - MODEL NO. GTH2654 (96025000100) PRODUCT NO. 960 25 00-01
STEERING ASSEMBLY

| KEY NO. | PART NO. | DESCRIPTION |
|---------|--------------|------------------------------------|
| 1 | 532 19 36-51 | Wheel, Steering |
| 2 | 532 17 85-57 | Axle Asm., Front |
| 3 | 532 18 32-26 | Fitting, Grease |
| 4 | 532 16 18-49 | Spindle Asm, LH |
| 5 | 532 16 18-48 | Spindle Asm., RH |
| 6 | 532 12 49-31 | Bearing, Race Thrust Harden |
| 7 | 532 12 17-48 | Washer 25/32 x 1-5/8 x 16 Ga. |
| 8 | 812 00 00-29 | Ring, Klip #T5304-75 |
| 9 | 532 12 12-32 | Cap, Spindle |
| 10 | 874 78 10-44 | Bolt, Fin Hex 5/8-11 x 2-3/4 |
| 11 | 532 13 65-18 | Spacer Brg Axle Front 1.570 |
| 12 | 873 90 10-00 | Nut, Lock Flange 5/8-11 unc |
| 13 | 532 12 17-49 | Washer 25/32 x 1-1/4 x 16 Ga. |
| 14 | 810 04 06-00 | Washer, Lock Hvy Hlcl Spr 3/8 |
| 15 | 873 54 06-00 | Nut Crownlock 3/8-24 |
| 16 | 532 18 68-14 | Shaft Asm., Steering |
| 18 | 532 18 77-99 | Draglink, Vgt |
| 19 | 532 15 60-11 | Support Asm., Steering Vgt |
| 20 | 532 17 75-92 | Boot Steering |
| 21 | 532 18 67-37 | Adapter, Wheel Steering |
| 22 | 532 15 51-05 | Bushing, Strg. |
| 23 | 532 15 29-27 | Screw |
| 26 | 532 19 36-52 | Cap , Wheel Steering |
| 27 | 532 12 49-37 | Bearing, Col. Strg. |
| 28 | 817 00 06-12 | Screw 3/8-16 x 3/4 |
| 29 | 532 10 42-39 | Bearing, Flange |
| 31 | 532 13 81-36 | Bushing, Nyliner Snap |
| 32 | 819 11 16-10 | Washer 11/32 x 1 x 10 Ga. |
| 33 | 810 04 05-00 | Washer, Lock Hvy Hlcl Spr 5/16 |
| 34 | 874 78 05-12 | Bolt, Hex Hd 5/16-18 x 3/4 |
| 35 | 532 18 70-39 | Gear, Sector Steering |
| 36 | 532 18 67-99 | Tie Rod |
| 41 | 532 15 52-46 | Bracket Switch Inerlock VGT97 |
| 42 | 817 49 05-08 | Screw 5/16-18 x 1/2 |
| 45 | 819 18 38-12 | Washer 9/16 ID x 2-3/8 OD 12 G Zin |
| 46 | 819 13 16-10 | Washer 13/32 x 1 x 10 Ga. |
| 47 | 532 17 94-71 | Bracket Asm. Idler |
| 49 | 532 17 58-20 | Pulley Idler Flat |
| 50 | 873 90 06-00 | Nut Lock Flg 3/8-16 unc |
| 51 | 873 94 08-00 | Nut Hex Jam Toplock 1/2-20 unf |
| 52 | 532 17 55-53 | Clip Steering .750 |
| 53 | 532 18 89-67 | Washer Harden .793 x 1.63 x 060 |

NOTE: All component dimensions given in U.S. inches
1 inch = 25.4 mm

REPAIR PARTS

TRACTOR - - MODEL NO. GTH2654 (96025000100) PRODUCT NO. 960 25 00-01
ENGINE



engine_ELS_3-vgt

REPAIR PARTS

TRACTOR - - MODEL NO. GTH2654 (96025000100) PRODUCT NO. 960 25 00-01
ENGINE

| KEY NO. | PART NO. | DESCRIPTION |
|---------|--------------|---|
| 1 | ----- | Engine B & S, Model No. 446777 (Order parts from engine manufacturer) |
| 2 | 532 14 97-23 | Muffler Side |
| 8 | 532 12 13-61 | Pulley V-Idler |
| 9 | 532 17 77-48 | Keeper Asm. Belt Engine VGT |
| 10 | 532 17 52-87 | Bushing |
| 11 | 532 17 93-35 | Clutch Electric |
| 12 | 532 14 39-96 | Pulley Engine VGT Elect Clutch |
| 15 | 532 17 91-15 | Tank Fuel Rear 5.0 |
| 18 | 532 18 18-03 | Cap Fuel |
| 20 | 532 17 83-85 | Control Throttle |
| 21 | 532 19 16-11 | Screw 10 x 3/4 Single Lead Hex |
| 22 | 532 19 15-96 | Control Choke |
| 26 | 532 12 49-52 | Bushing |
| 27 | 532 13 92-77 | Stem Tank Fuel |
| 28 | 532 12 47-03 | Fuel Line |
| 29 | 532 13 71-80 | Spark Arrester Kit |
| 31 | 532 14 50-06 | Clip Push-In Hinged |
| 37 | 532 12 34-87 | Clamp Hose |
| 39 | 817 49 06-36 | Screw TT 3/8-16 x 2-1/4 unc |
| 40 | 817 49 06-64 | Screw TT 3/8-16 x 4 unc |
| 41 | 532 12 61-97 | Washer 1-1/2 OD X 15/32 ID X .250 |
| 42 | 810 04 07-00 | Washer Lock 7/16 |
| 45 | 873 51 04-00 | Nut Keps Hex 1/4-20 UNC |
| 47 | 532 17 52-88 | Bushing |
| 62 | 532 14 66-29 | Shield Heat Muffler |
| 69 | 532 16 53-91 | Gasket |
| 70 | 532 17 60-69 | Tube Exhaust LH |
| 71 | 532 17 60-70 | Tube Exhaust RH |
| 79 | 532 18 39-06 | Screw Socket Head 5/16-18 x 1 |
| 81 | 532 18 88-00 | Oil Drain Tube |
| 82 | 532 18 87-99 | Valve Drain Oil |
| 83 | 532 17 18-77 | Bolt 5/16-18 unc x 1-3/4 W/Sems |
| 84 | 817 06 06-24 | Screw 3/8-16 x 1-1/2 |
| 85 | 532 17 99-53 | Bolt Hex 7/16-20 x 3.75 Gr. 5 |
| 86 | 532 18 43-62 | Nut Hex Flange Toplock M8-1.25 |

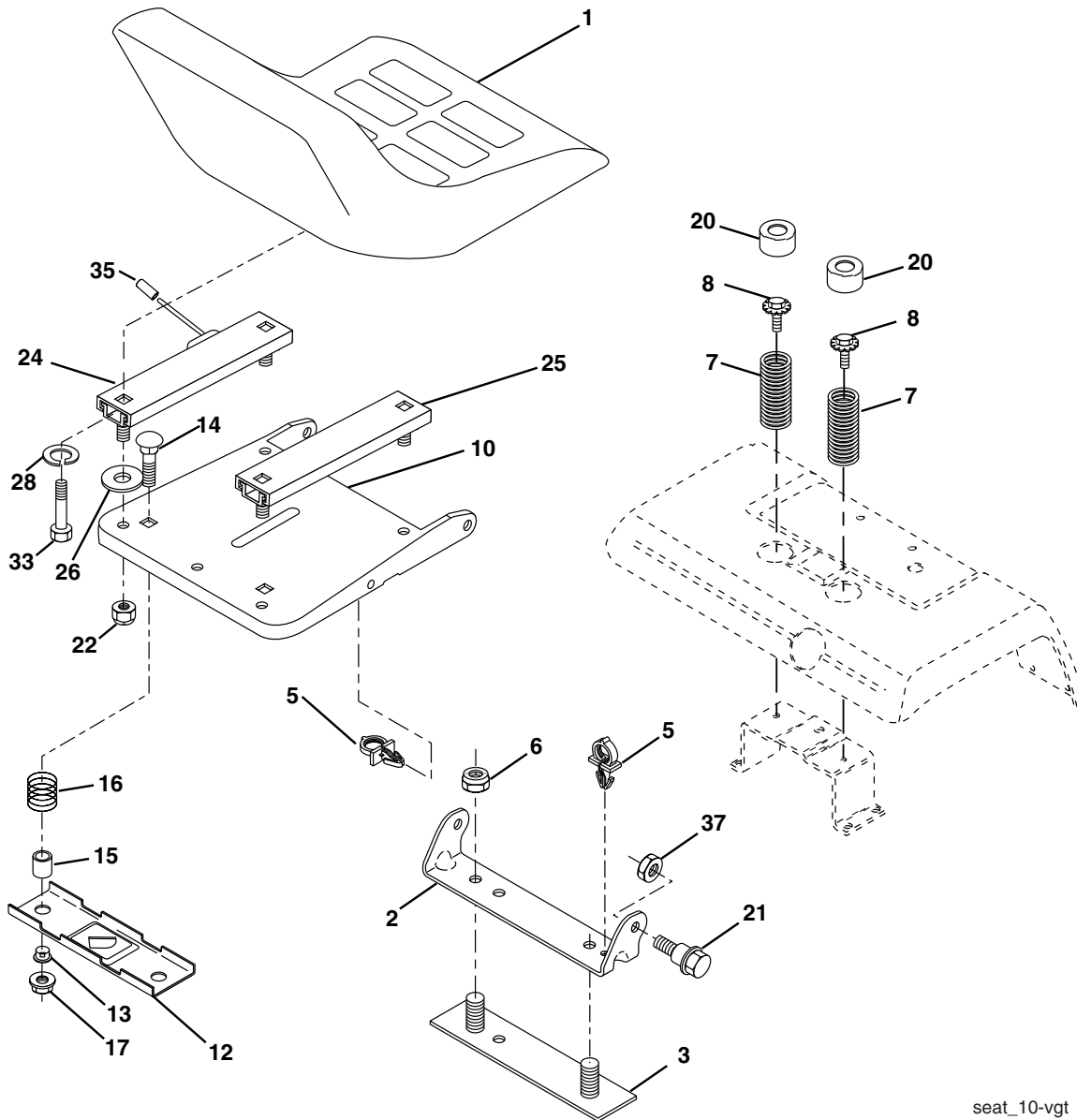
NOTE: All component dimensions given in U.S. inches
1 inch = 25.4 mm

For engine service and replacement parts, call the toll free number for your engine manufacturer listed below:

| | |
|-------------------|----------------|
| Briggs & Stratton | 1-800-233-3723 |
| Kohler Co. | 1-800-544-2444 |
| Tecumseh Products | 1-800-558-5402 |
| Honda Engines | 1-800-426-7701 |
| Kawasaki | 1-949-460-5688 |

REPAIR PARTS

TRACTOR - - MODEL NO. GTH2654 (96025000100) PRODUCT NO. 960 25 00-01
SEAT ASSEMBLY



seat_10-vgt

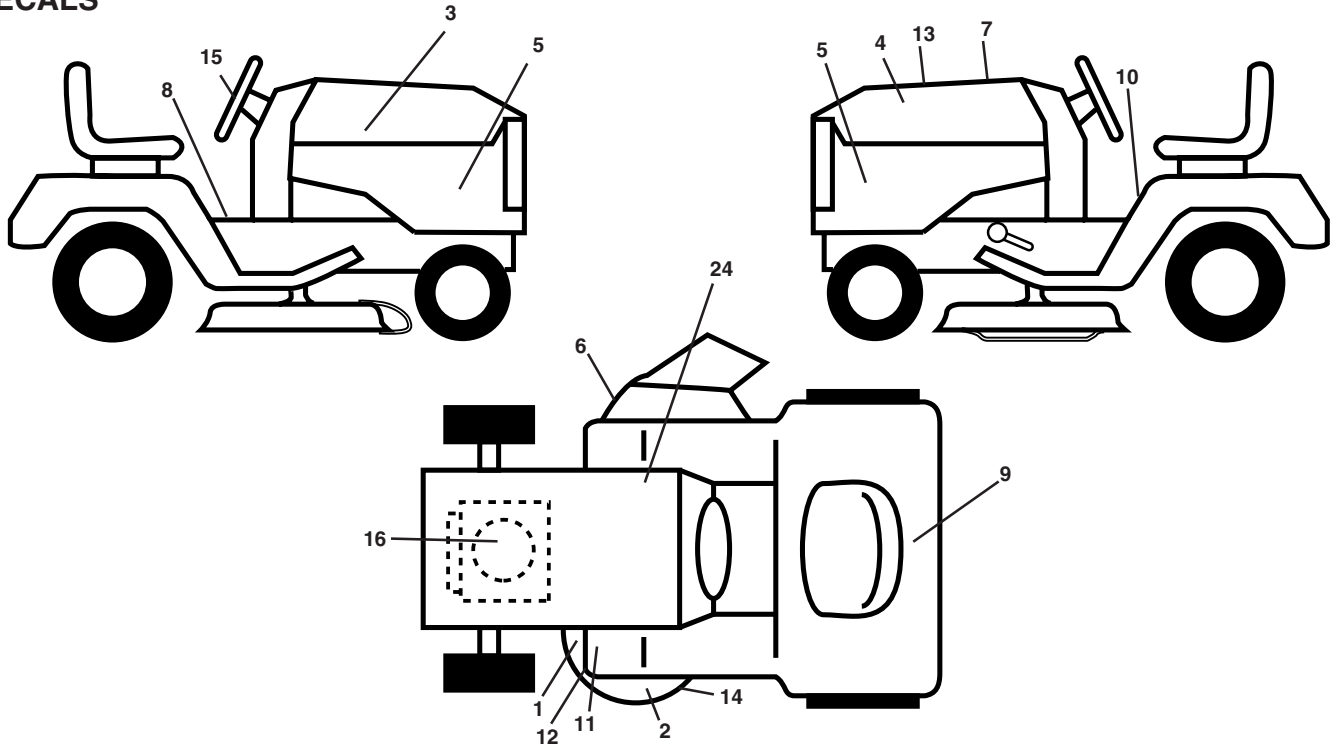
| KEY NO. | PART NO. | DESCRIPTION |
|---------|--------------|-------------------------------|
| 1 | 532 18 87-15 | Seat |
| 2 | 532 14 05-51 | Bracket, Pivot Seat |
| 3 | 532 14 06-75 | Strap Asm Fender |
| 5 | 532 14 50-06 | Clip, Push In Hinged |
| 6 | 873 80 06-00 | Nut, Crownlock 3/8-16 |
| 7 | 532 12 41-81 | Spring, Seat Cprsn |
| 8 | 532 17 18-77 | Bolt 5/16-18 Unc x 3/4 |
| 10 | 532 18 24-93 | Pan, Seat |
| 12 | 532 17 46-48 | Bracket, Mounting Switch |
| 13 | 532 12 12-48 | Bushing, Snap |
| 14 | 872 05 04-12 | Bolt, Carriage 1/4-20 x 1-1/2 |
| 15 | 532 12 12-49 | Spacer, Split |
| 16 | 532 12 37-40 | Spring, Cprsn |

| KEY NO. | PART NO. | DESCRIPTION |
|---------|--------------|-----------------------------|
| 17 | 532 12 39-76 | Nut, Lock 1/4 Lge Flg Gr. 5 |
| 20 | 532 12 42-38 | Cap Spring Seat |
| 21 | 532 17 18-52 | Bolt, Shoulder 5/16-18 |
| 22 | 873 68 05-00 | Nut Crown Lock 5/16-18 |
| 24 | 532 17 79-46 | Track Slide Seat LH |
| 25 | 532 17 79-47 | Track Slide Seat RH |
| 26 | 819 11 10-12 | Washer 11/32 x 5/8 x 12 Ga. |
| 28 | 810 01 05-00 | Washer Split |
| 33 | 874 78 05-12 | Bolt Fin Hex 5/16-18 x 3/4 |
| 35 | 532 17 84-26 | Cap Vinyl |
| 37 | 873 80 05-00 | Nut, Crownlock 5/16-18 |

NOTE: All component dimensions given in U.S. inches
1 inch = 25.4 mm

REPAIR PARTS

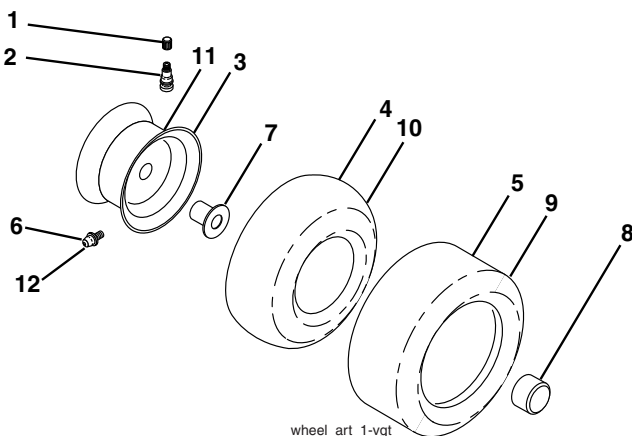
TRACTOR - - MODEL NO. GTH2654 (96025000100) PRODUCT NO. 960 25 00-01
DECALS



| KEY NO. | PART NO. | DESCRIPTION |
|---------|---------------------|----------------------|
| 1 | 532 17 85-02 | Decal, Deck Caution |
| 2 | 532 17 84-82 | Decal, Deck Hvy Duty |
| 3 | 532 18 89-47 | Decal, Hood RH |
| 4 | 532 18 89-48 | Decal, Hood LH |
| 5 | 532 19 55-54 | Decal, Side Panel |
| 6 | 532 17 05-63 | Decal, Warning |
| 7 | 532 18 09-41 | Decal, Cust. Resp. |
| 8 | 532 19 60-43 | Decal, Operator |
| 9 | 532 19 15-54 | Decal, Fender |
| 10 | 532 15 70-02 | Decal, Danger |

| KEY NO. | PART NO. | DESCRIPTION |
|---------|---------------------|-------------------------|
| 11 | 532 18 12-52 | Decal, Foot Rest |
| 12 | 532 19 30-63 | Decal, MWR DCK Upstop |
| 13 | 532 19 43-62 | Decal, Replacement |
| 14 | 532 18 82-98 | Decal, V-Belt Schematic |
| 15 | 532 18 89-25 | Decal, Ins. Strg Whl |
| 16 | 532 18 48-58 | Decal, Engine HP |
| 24 | 532 14 50-05 | Decal, Btry Dngr/Psn |
| -- | 532 16 69-60 | Decal, Drawbar |
| -- | 532 18 19-17 | Pad Footrest RH |
| -- | 532 18 19-16 | Pad Footrest LH |
| -- | 532 19 52-97 | Manual, Owners (Eng.) |

WHEELS & TIRES

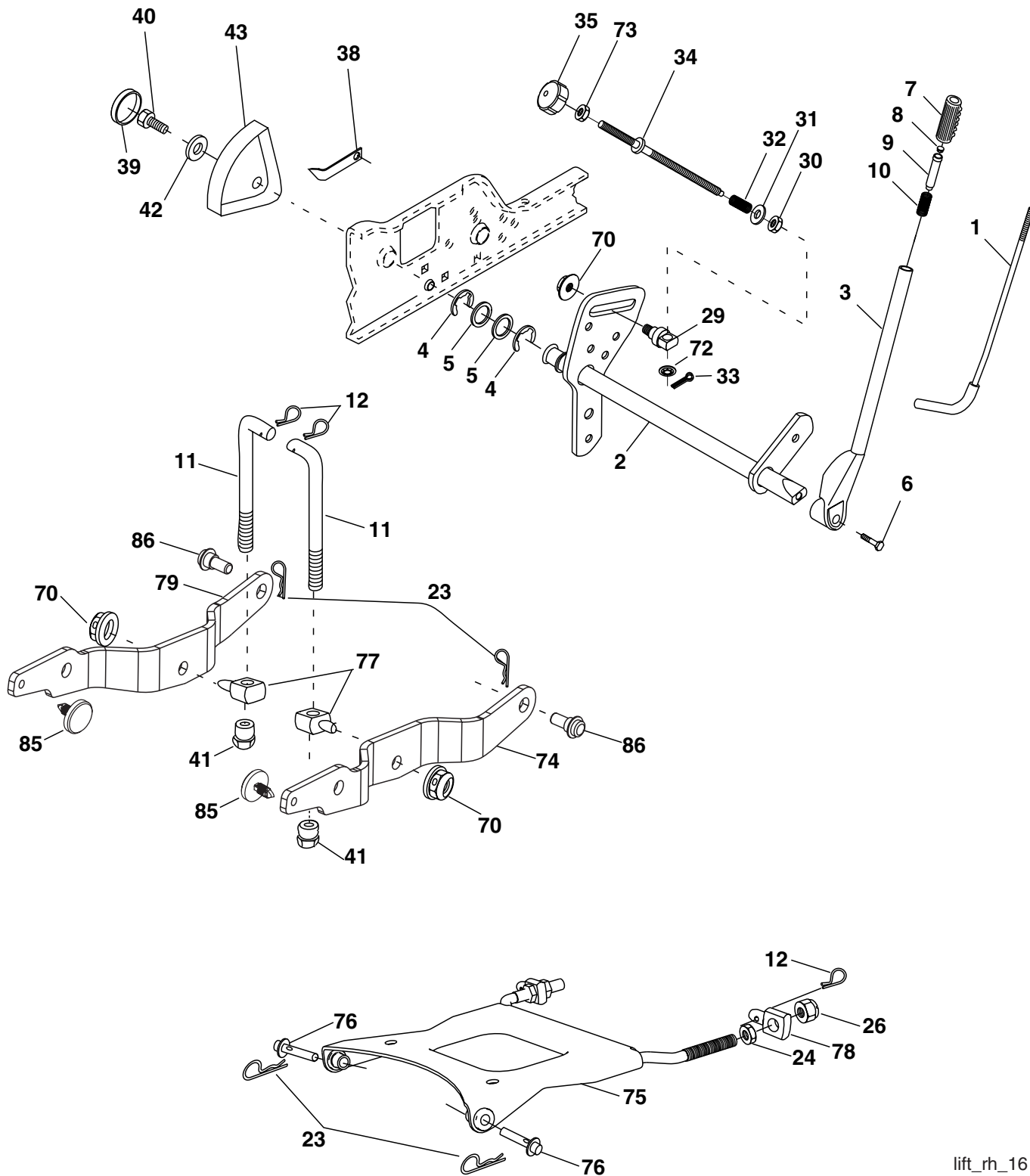


| KEY NO. | PART NO. | DESCRIPTION |
|---------|--------------|------------------------------------|
| 1 | 532 05 91-92 | Cap, Valve, Tire |
| 2 | 532 06 51-39 | Stem, Valve |
| 3 | 532 14 45-09 | Rim Assembly, Front |
| 4 | 532 00 81-34 | Tube, Front (Service Item Only) |
| 5 | 532 10 62-30 | Tire, Front |
| 6 | 532 12 49-57 | Fitting, Grease |
| 7 | 532 12 49-59 | Bearing, Flange (Front Wheel Only) |
| 8 | 532 17 50-39 | Cap, Hub |
| 9 | 532 10 55-88 | Tire, Rear |
| 10 | 532 00 71-54 | Tube, Rear (Service Item Only) |
| 11 | 532 14 45-10 | Rim Assembly, Rear |
| 12 | 532 12 48-60 | Fitting, Grease |
| -- | 532 14 43-34 | Sealant, Tire (10 oz. Tube) |

NOTE: All component dimensions given in U.S. inches
1 inch = 25.4 mm

REPAIR PARTS

TRACTOR - - MODEL NO. GTH2654 (96025000100) PRODUCT NO. 960 25 00-01
LIFT ASSEMBLY



lift_rh_16

REPAIR PARTS

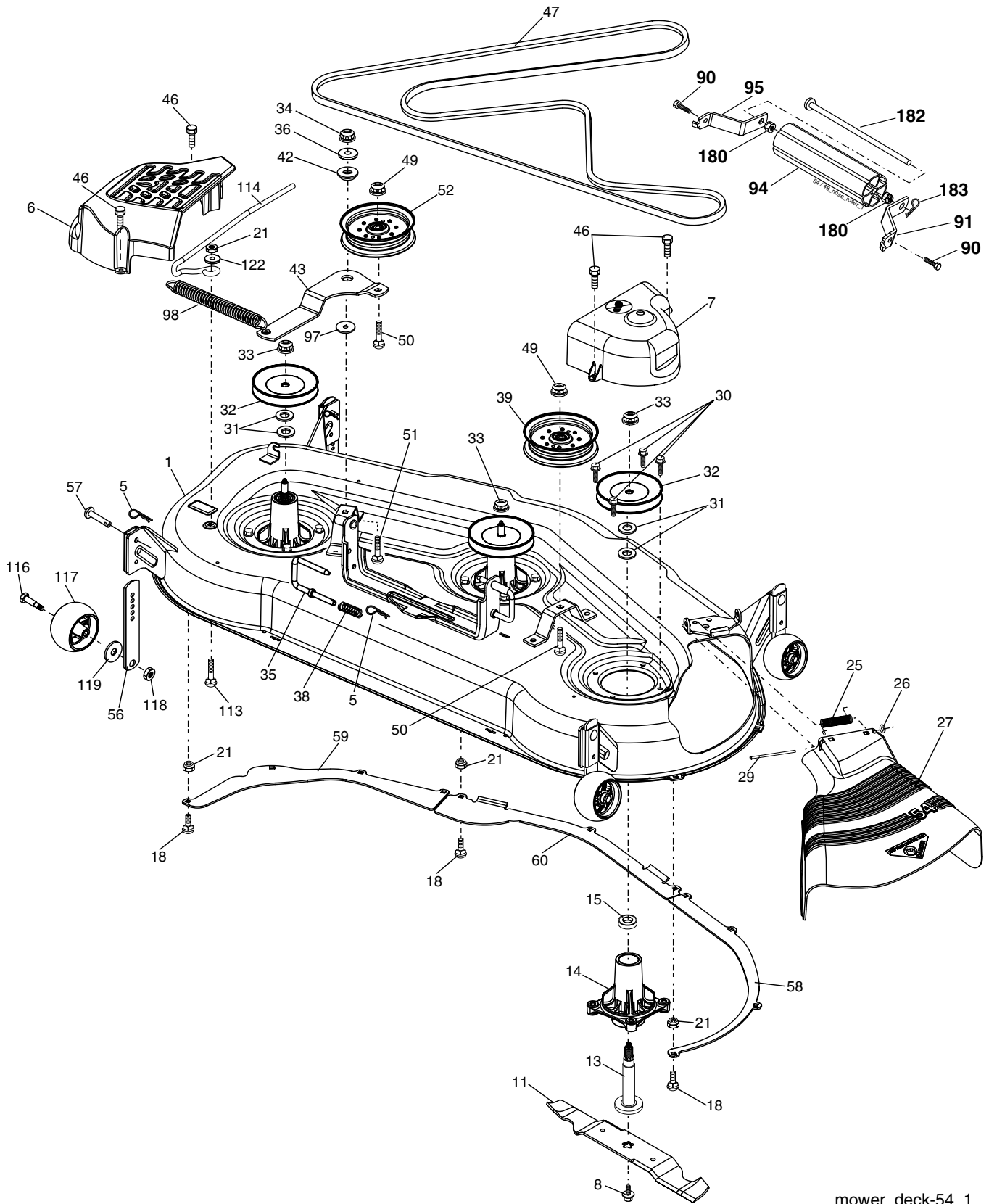
TRACTOR - - MODEL NO. GTH2654 (96025000100) PRODUCT NO. 960 25 00-01
LIFT ASSEMBLY

| KEY NO. | PART NO. | DESCRIPTION |
|---------|--------------|----------------------------------|
| 1 | 532 12 10-06 | Rod Asm., Lever |
| 2 | 532 18 00-45 | Shaft Asm., Lift Vgt |
| 3 | 532 15 91-89 | Lever Asm., Lift Rh |
| 4 | 812 00 00-22 | E-Ring Truarc #5133-87 |
| 5 | 819 29 20-16 | Washer 29/32 x 1-1/4 x 16 Ga. |
| 6 | 871 11 06-24 | Bolt, Fin Hex 3/8-16 x 1-1/2 |
| 7 | 532 12 56-31 | Grip, Handle |
| 8 | 532 12 45-26 | Button, Plunger |
| 9 | 532 12 23-64 | Plunger, Lever Lift |
| 10 | 532 18 38-94 | Spring 0.62 OD x 2.125 |
| 11 | 532 17 53-75 | Link Lift |
| 12 | 532 16 35-52 | Retainer, Spring |
| 23 | 532 12 46-70 | Retainer, Spring |
| 24 | 873 35 08-00 | Nut, Jam Hex 1/2-13 unc |
| 26 | 873 80 08-00 | Nut, Lock W/Wsh 1/2-13 unc |
| 29 | 532 15 02-33 | Trunnion Infin Height |
| 30 | 532 11 08-07 | Nut, Special |
| 31 | 819 13 10-16 | Washer 13/32 x 5/8 x 16 Ga. |
| 32 | 532 13 71-50 | Spring, Compression Inf Hgt |
| 33 | 876 02 03-08 | Pin, Cotter 3/32 x 1/2 |
| 34 | 532 13 71-67 | Rod, Adj Lift |
| 35 | 532 13 80-57 | Knob, Inf 3/8-16 unc |
| 38 | 532 15 50-97 | Pointer Height Indicator |
| 39 | 532 12 39-35 | Plug, Hole Blk. 1.485/1.515 Dia. |
| 40 | 817 06 05-16 | Screw 5/16-18 x 1 |
| 41 | 532 17 59-94 | Nut, Crownlock 3/8-24 |
| 42 | 819 11 24-10 | Washer 11/32 x 1-1/2 x 10 Ga. |
| 43 | 532 12 39-34 | Scale, Indicator Height |
| 70 | 532 14 52-12 | Nut Hex Flange Lock |
| 72 | 532 11 04-52 | Nut Push Phos & Oil |
| 73 | 873 35 06-00 | Nut, Hex Jam 3/8-16 unc |
| 74 | 532 18 72-77 | Arm Suspension Rear RH |
| 75 | 532 17 58-05 | Plate, Asm, Susp, Front |
| 76 | 532 17 55-60 | Pin Flange |
| 77 | 532 17 62-05 | Trunnion |
| 78 | 532 17 56-89 | Trunnion, Front, Susp |
| 79 | 532 18 72-76 | Arm, Suspension Rear LH |
| 85 | 532 18 90-13 | Insert Wear |
| 86 | 532 18 85-28 | Bolt Shoulder |

NOTE: All component dimensions given in U.S. inches
1 inch = 25.4 mm

REPAIR PARTS

TRACTOR - - MODEL NO. GTH2654 (96025000100) PRODUCT NO. 960 25 00-01
MOWER DECK



mower_deck-54_1

REPAIR PARTS

TRACTOR - - MODEL NO. GTH2654 (96025000100) PRODUCT NO. 960 25 00-01
MOWER DECK

| KEY NO. | PART NO. | DESCRIPTION | KEY NO. | PART NO. | DESCRIPTION |
|---------|--------------|-------------------------------|---------|--------------|---|
| 1 | 532 19 68-38 | Deck Weldment Mower | 52 | 532 18 84-60 | Pulley Idler clutching |
| 5 | 532 12 46-70 | Retainer Spring | 56 | 532 15 59-86 | Bar Pnt Adj. |
| 6 | 532 18 72-97 | Cover Mandrel LH | 57 | 532 15 69-41 | Pin Head Rivet |
| 7 | 532 18 81-87 | Cover Mandrel RH | 58 | 532 18 73-42 | Baffle Right |
| 8 | 532 17 43-65 | Bolt 7/16 Asm. Blade | 59 | 532 18 73-44 | Baffle Left |
| 11 | 532 18 72-54 | Blade Standard | 60 | 532 18 76-07 | Baffle Center |
| 13 | 532 18 72-91 | Shaft Asm. w/Lower Bearing | 90 | 874 76 05-16 | Bolt 5/16-18 x 1 |
| 14 | 532 18 72-81 | Mandrel Housing | 91 | 532 18 05-35 | Bracket Asm N Roller RH |
| 15 | 532 11 04-85 | Bearing, Ball, Mandrel | 94 | 532 17 60-66 | Roller Nose 48" |
| 18 | 872 14 05-05 | Bolt Carr 5/16-18 x 5/8 | 95 | 532 18 05-34 | Bracket N Roller LH |
| 21 | 873 68 05-00 | Nut, Crownlock 5/16-18 unc | 97 | 819 13 32-10 | Washer Hardened |
| 25 | 532 17 81-02 | Spring Torsion | 98 | 532 18 72-82 | Spring Clutch Drive |
| 26 | 532 11 04-52 | Nut, Push | 113 | 872 11 05-08 | Bolt Rdhd Sqnk 5/16-18 unc x 3/4 |
| 27 | 532 18 89-38 | Deflector Shield | 114 | 532 18 75-56 | Rod Tension Relief |
| 29 | 532 13 14-91 | Rod, Hinge | 116 | 532 19 34-06 | Bolt, Shoulder |
| 30 | 532 17 39-84 | Screw Thd Roll | 117 | 532 17 48-73 | Gauge Wheel |
| 31 | 532 18 76-90 | Washer, Spacer Mower Vented | 118 | 873 93 06-00 | Nut, Centerlock 3/8-16 unc |
| 32 | 532 17 34-36 | Pulley, Mandrel | 119 | 819 12 14-14 | Washer 3/8 x 7/8 x 14 Ga. |
| 33 | 532 17 83-42 | Nut, Flg. Top Lock Cntr. 9/16 | 122 | 532 18 75-57 | Bushing Tension Relief |
| 34 | 873 68 06-00 | Nut | 180 | 873 80 05-00 | Nut 5/16-18 |
| 35 | 532 18 86-35 | Pin Suspension Rear | 182 | 532 17 91-27 | Rod Roller Nose Narrow |
| 36 | 819 13 13-16 | Washer 13/32 x 13/16 x 16 Ga. | 183 | 532 16 35-52 | Retainer Spring |
| 38 | 532 18 86-57 | Spring Compression | -- | 532 18 72-92 | Mandrel Asm. Service (Includes Key Nos. 13-15 and 33) |
| 39 | 532 18 72-84 | Pulley, Idler, Stationary | -- | 532 18 83-77 | Replacement Mower, Complete (Std. deck order separately nose roller components key nos. 90, 91, 94, 95, 180, 182, 183) |
| 42 | 532 12 20-52 | Spacer, Retainer | | | |
| 43 | 532 18 72-78 | Arm, Idler | | | |
| 46 | 532 13 77-29 | Screw, Thdroll. 1/4-20 x 5/8 | | | |
| 47 | 532 19 12-73 | V-Belt, Mower, Secondary | | | |
| 49 | 873 90 06-00 | Nut, Lock Flg. 3/8-16 unc | | | |
| 50 | 872 11 06-16 | Bolt, Carr. 3/8-16 x 2 | | | |
| 51 | 872 11 06-10 | Bolt 3/8-16 x 1-1/4 Gr. 5 | | | |

NOTE: All component dimensions given in U.S. inches
1 inch = 25.4 mm