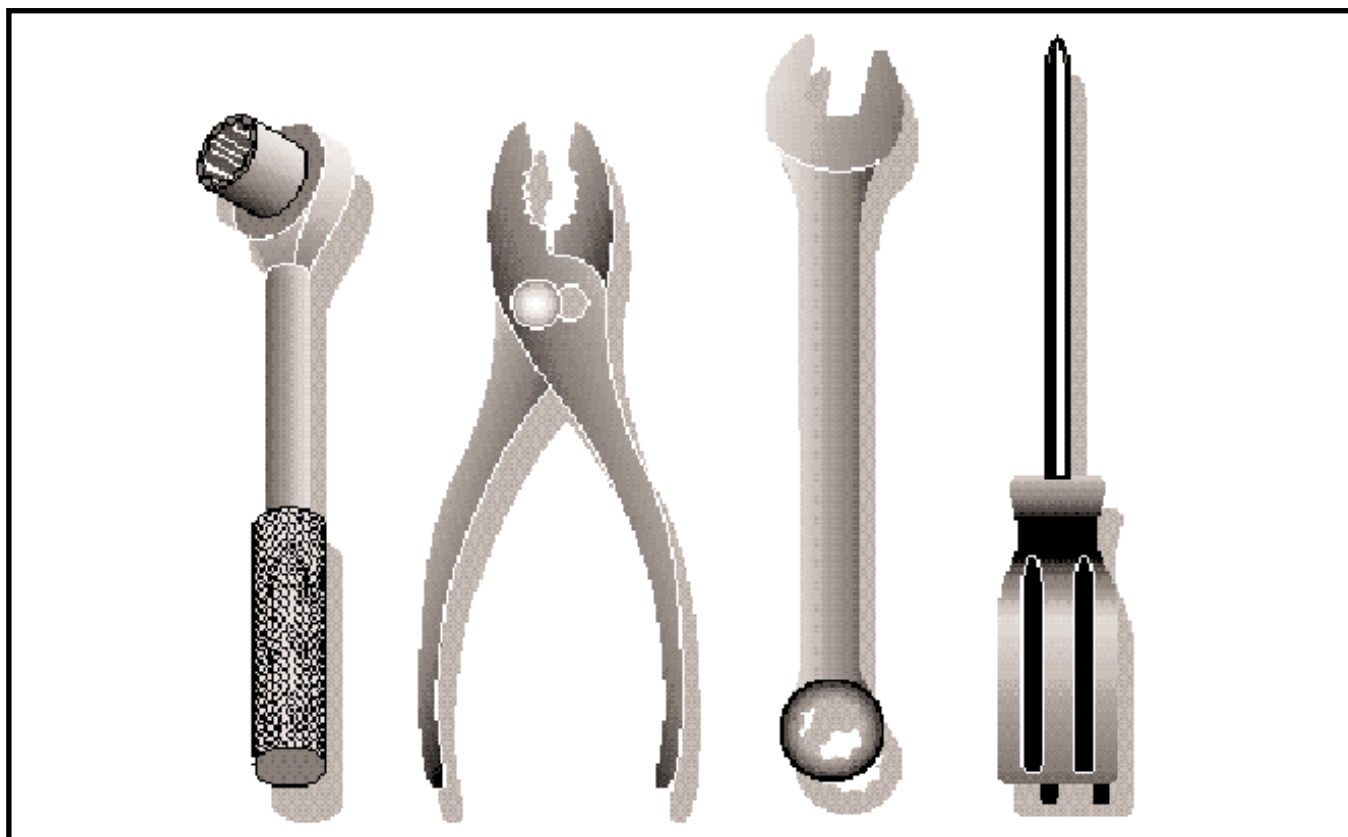


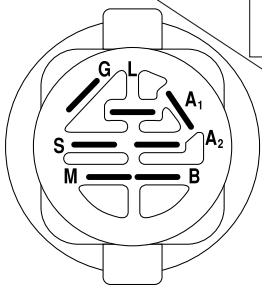
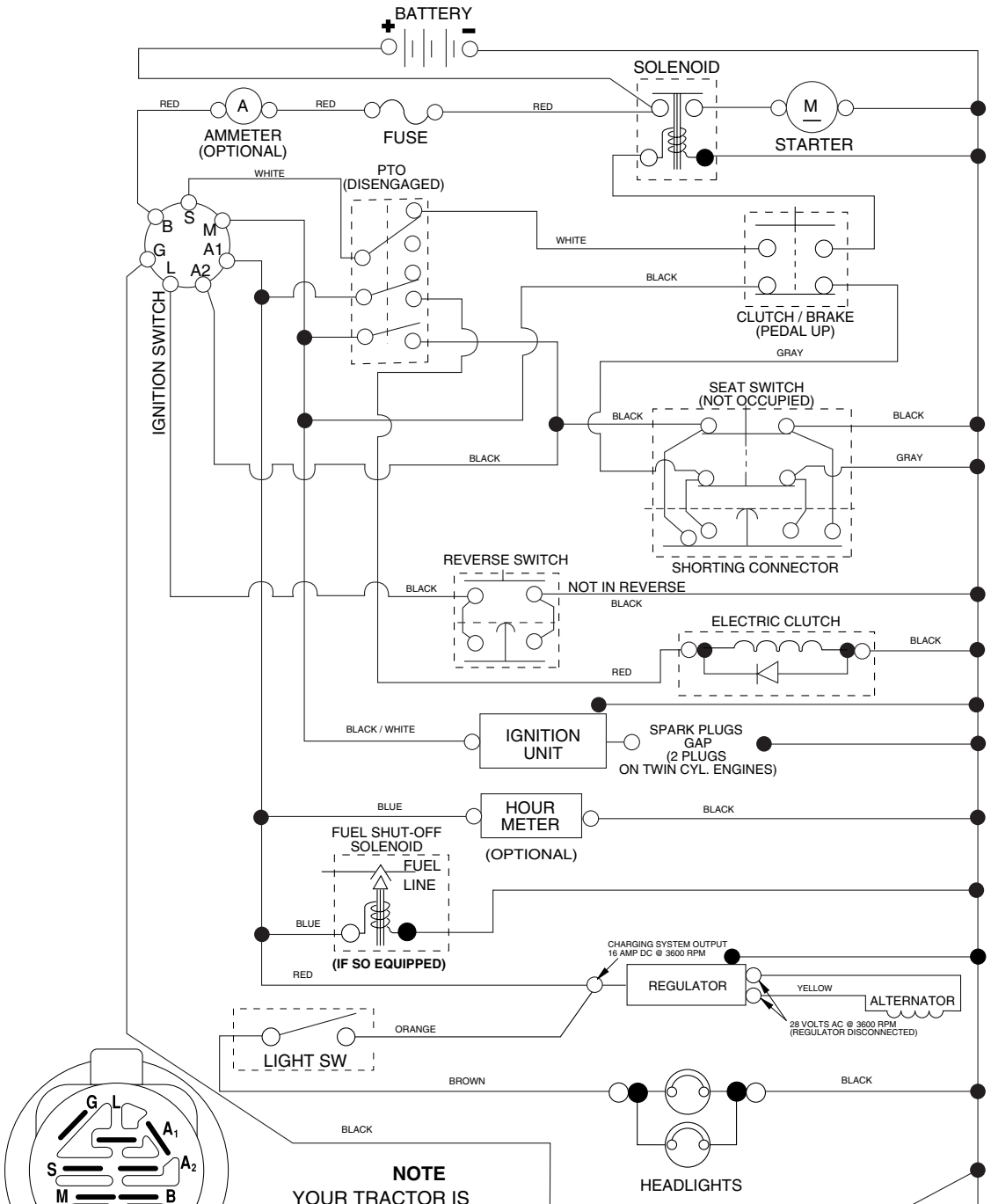
Ride Mower

GTH2654

96025000101



TRACTOR - - MODEL NO. GTH2654 (96025000101) PRODUCT NO. 960 25 00-01 SCHEMATIC



IGNITION SWITCH

POSITION	CIRCUIT	"MAKE"
OFF	M+G+A1	
RUN/OVERRIDE	B+A1	
RUN	B+A1	L+A2
START	B + S + A1	

02833

NOTE
YOUR TRACTOR IS EQUIPPED WITH A SPECIAL ALTERNATOR SYSTEM. THE LIGHTS ARE NOT CONNECTED TO THE BATTERY, BUT HAVE THEIR OWN ELECTRICAL SOURCE. BECAUSE OF THIS, THE BRIGHTNESS OF THE LIGHTS WILL CHANGE WITH ENGINE SPEED. AT IDLE THE LIGHTS WILL DIM. AS THE ENGINE IS SPEEDED UP, THE LIGHTS WILL BECOME THEIR BRIGHTEST.

NON-REMOVABLE CONNECTIONS

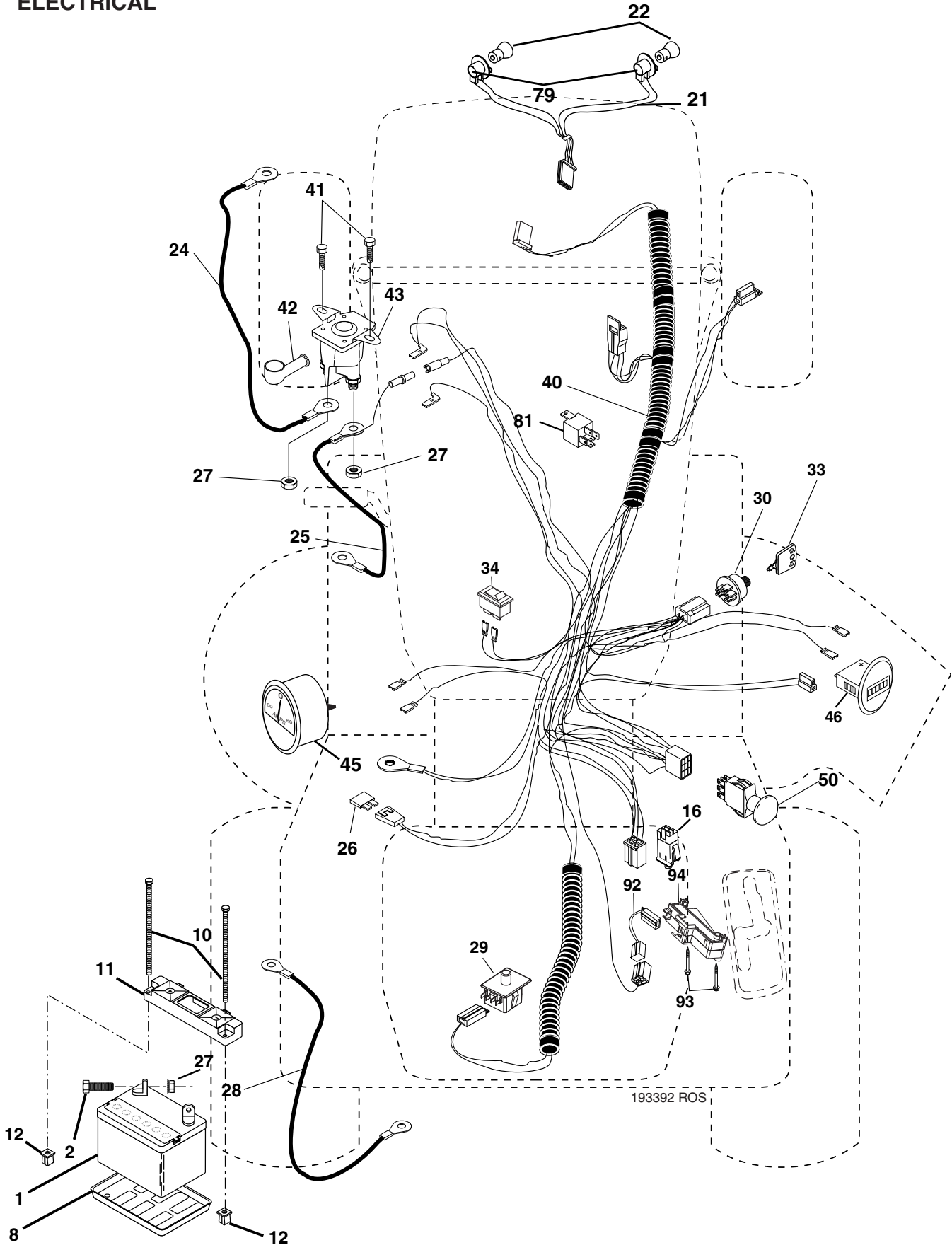
REMOVABLE CONNECTIONS

WIRING INSULATED CLIPS

NOTE: IF WIRING INSULATED CLIPS WERE REMOVED FOR SERVICING OF UNIT, THEY SHOULD BE REPLACED TO PROPERLY SECURE YOUR WIRING.

REPAIR PARTS

TRACTOR -- MODEL NO. GTH2654 (96025000101) PRODUCT NO. 960 25 00-01
ELECTRICAL



REPAIR PARTS

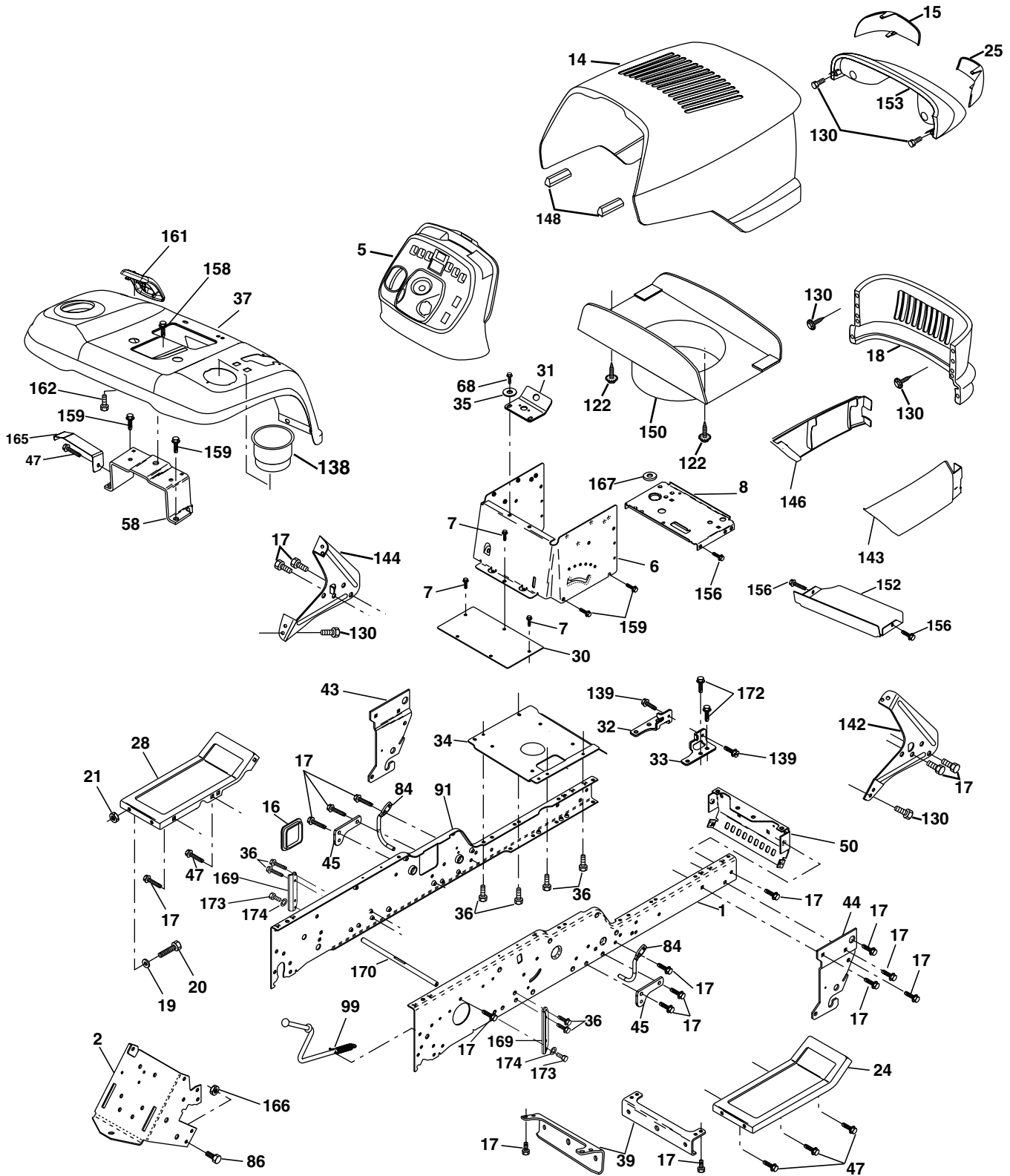
TRACTOR - - MODEL NO. GTH2654 (96025000101) PRODUCT NO. 960 25 00-01
ELECTRICAL

KEY NO.	PART NO.	DESCRIPTION
1	532 14 49-27	Battery
2	874 76 04-12	Bolt Hex Head 1/4-20 x 3/4
8	532 12 48-86	Tray, Battery
10	532 14 52-11	Bolt, Battery Front 1/4-20 x 7.5 Zinc
11	532 15 01-09	Holddown Battery Front Mount
12	532 14 57-69	Nut, Push Nylon 1.4" Battery Front
16	532 17 61-38	Switch Interlock Push-In
21	532 17 56-88	Harness Socket Light w/4152J
22	532 00 41-52	Bulb Light
24	532 14 61-49	Cable 6 Ga. Red 12.5 w/16 Wire
25	532 18 54-64	Cable
26	532 10 88-24	Fuse
27	873 51 04-00	Nut Keps Hex 1/4-20
28	532 17 06-97	Cable Bolt Ground
29	532 19 27-49	Switch, Seat
30	532 19 33-50	Switch, Ign
33	532 14 04-01	Key
34	532 11 07-12	Switch Light/Reset B/B/Red
40	532 19 33-92	Harness Ign.
41	817 72 04-08	Screw THD Cut 1/4-20 x 1/2
42	532 13 15-63	Cover, Terminal Red
43	532 17 88-61	Solenoid
45	532 17 75-00	Ammeter
46	532 17 75-01	Hourmeter
50	532 19 61-12	Switch, PTO
79	532 17 52-42	Bulbholder Asm
92	532 19 34-65	Harness Pigtail Reverse Switch
93	532 19 25-40	Screw 10-14 x 2.0
94	532 19 18-34	Modual Reverse ROS

NOTE: All component dimensions given in U.S. inches
1 inch = 25.4 mm

REPAIR PARTS

TRACTOR - - MODEL NO. GTH2654 (96025000101) PRODUCT NO. 960 25 00-01
CHASSIS AND ENCLOSURES



chassis-stealth_51

REPAIR PARTS

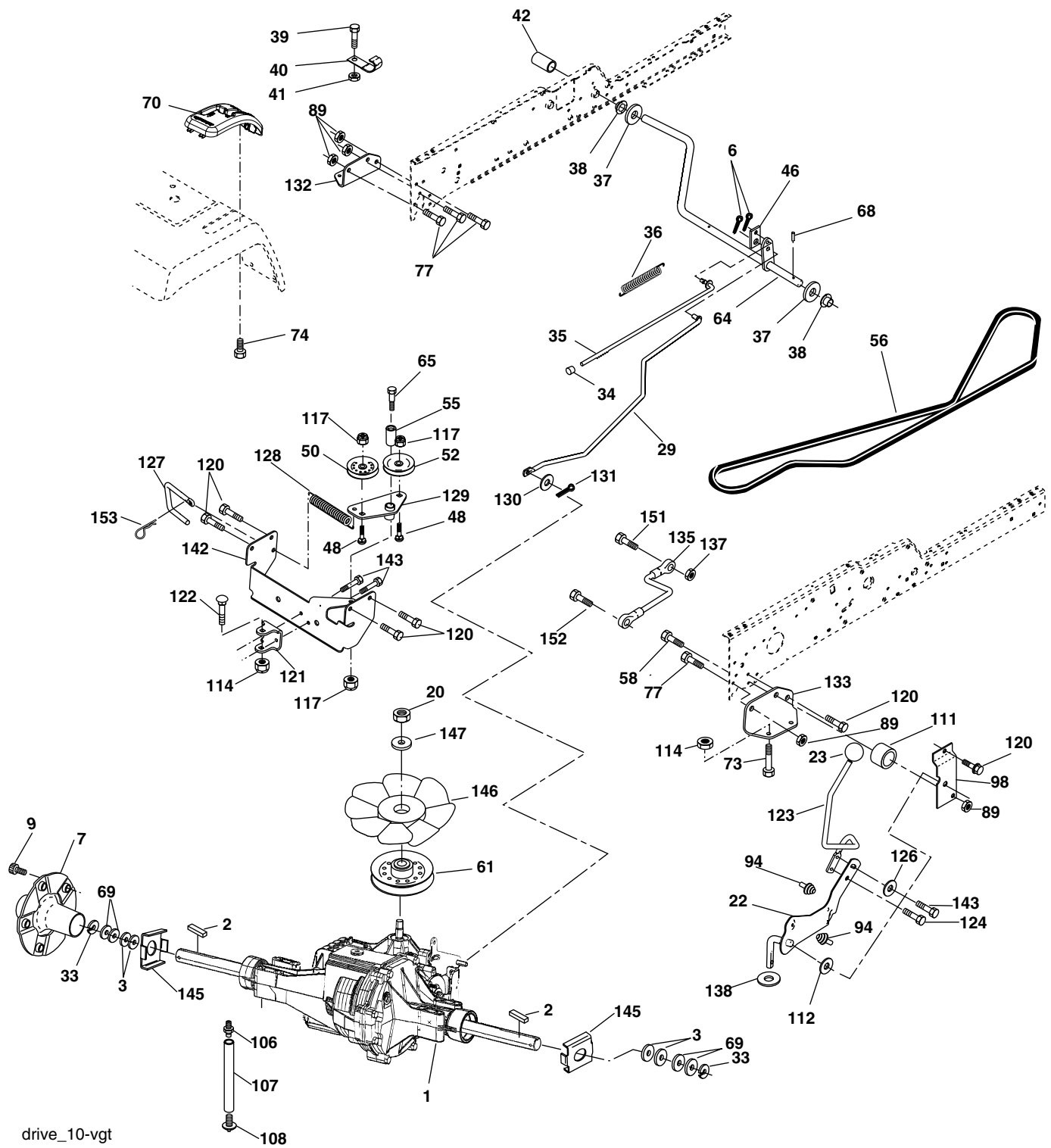
TRACTOR - - MODEL NO. GTH2654 (96025000101) PRODUCT NO. 960 25 00-01 CHASSIS AND ENCLOSURES

KEY NO.	PART NO.	DESCRIPTION	KEY NO.	PART NO.	DESCRIPTION
1	532 18 03-75	Rail, Kit RH	84	532 18 81-64	Upstop 54"
2	532 17 52-82	Drawbar, Gt	86	874 78 07-16	Bolt, Fin Hex 7/16-14 unc
5	532 19 61-36	Dash	91	532 18 03-74	Rail, Kit Lh
6	532 15 78-82	Dash, 1PCS, Lower	99	532 17 71-43	Rod Asm. Bypass
7	817 72 04-08	Screw, Thd Cut 1/4-20 x 1/2	122	532 19 25-12	Screw Hex WSHD 8-18 x 7/8
8	532 18 46-68	Support, Battery	130	532 19 16-11	Screw 10 x 3/4 Single Lead-Hex
14	532 19 00-55	Hood Asm., Pnt	138	532 19 48-80	Cupholder
15	532 16 18-41	Lens LH	139	532 17 18-73	Bolt Shoulder 5/16-18
16	532 12 17-94	Cover, Access	142	532 16 18-97	Bracket Dash Stealth RH
17	817 00 06-12	Screw, 3/8-16 x 3/4	143	532 17 75-86	Skirt Grille RH
18	532 18 28-73	Grille	144	532 16 19-00	Bracket Dash Stealth LH
19	819 13 13-12	Washer 13/32 x 13/16 x 12 Ga.	146	532 17 75-87	Skirt Grille LH
20	874 78 06-16	Bolt, Fin Hex 3/8-16 x 1	148	532 16 46-55	Extrusion Bumper
21	873 80 06-00	Nut, Crownlock 3/8-16	150	532 19 03-09	Duct Heat Hood
24	532 18 10-58	Footrest, RH	152	532 17 79-56	Shield, Browning
25	532 16 18-42	Lens RH	153	532 18 82-12	Lightbox Asm.
28	532 18 10-57	Footrest, LH	156	817 00 05-12	Screw 5/16-18 x 3/4
30	532 14 50-52	Saddle	158	817 67 06-08	Screw 3/8-16 x 1/2
31	532 16 14-19	Bracket Supt 1-pc Vgt Steering	159	817 00 06-12	Screw Hexwsh Thdr. 3/8-16 x 3/4
32	532 16 13-27	Bracket, Frame Pivot Lh	161	532 18 17-87	Cosole Fuel Window
33	532 16 13-26	Bracket, Frame Pivot Rh	162	532 14 24-32	Screw 1/4-1/2 Unc
34	532 17 70-18	Plate Asm Engine Chassis	165	532 18 35-54	Bracket Support Tank
35	819 11 11-16	Washer 11/32 x 11/16 x 16 Ga.	166	873 68 07-00	Nut, Lock Hex 7/16-14 unc
36	817 06 05-12	Screw 5/16-18 x 3/4	167	532 18 46-72	Bushing Snap Nylon 1.250
37	532 19 48-79	Fender, Pnt.	169	532 18 85-98	Bracket
39	532 17 52-78	Bracket, Axle Front	170	532 19 46-67	Rod Bracket Sway Bar
43	532 13 69-39	Bracket, Spnsn Front Lh	172	817 12 06-14	Screw 3/8-16 x .875
44	532 13 69-40	Bracket, Spnsn Front Rh	173	874 78 05-12	Bolt Fin Hex 5/16-18 UNC x 3/4
45	532 18 72-70	Bracket, Susp Arm	174	810 04 05-00	Washer Lock Hvy HLCL Spr. 5/16
47	817 49 06-08	Screw Thdrol 3/8-16 x 1/2			
50	532 17 54-76	Bracket, Chassis Front			
56	532 17 60-16	Bracket Asm., Susp Chassis Lh			
58	532 18 35-69	Bracket Asm., Fender			
68	817 49 05-08	Screw, 5/16-18 x 1/2			

NOTE: All component dimensions given in U.S. inches
1 inch = 25.4 mm

REPAIR PARTS

TRACTOR - - MODEL NO. GTH2654 (96025000101) PRODUCT NO. 960 25 00-01
GROUND DRIVE



drive_10-vgt

REPAIR PARTS

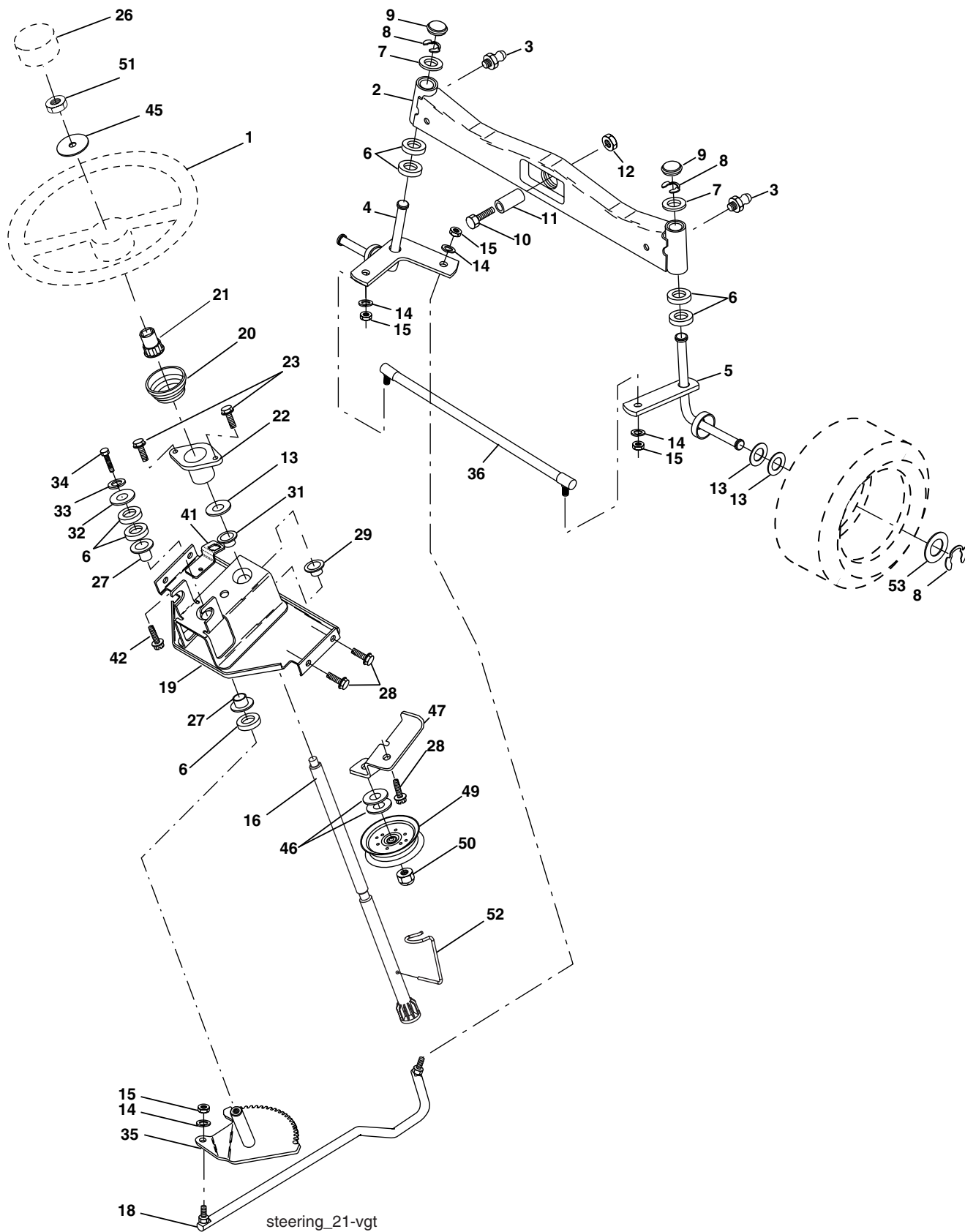
TRACTOR - - MODEL NO. GTH2654 (96025000101) PRODUCT NO. 960 25 00-01
GROUND DRIVE

KEY NO.	PART NO.	DESCRIPTION	KEY NO.	PART NO.	DESCRIPTION
1	-----	Transaxle Hydro Gear 331-3000 (Order Parts From Transaxle Manufacturer)	94	532 13 38-35	Fastener Christmas Tree
2	532 00 70-70	Key Sq. 1/4 x 1/4 x 2.5	98	532 14 10-04	Bracket Shift
3	532 00 75-63	Washer Thrust	106	532 14 29-18	O-Ring Asm Hydro Gear
6	876 02 04-12	Pin, Cotter	107	532 15 47-39	Line Fuel Hydro 15" VGT
7	532 14 05-07	Wheel, Hub Assembly	108	532 14 29-17	Cap Asm Vent Hydro Gear
9	532 14 00-80	Bolt, Hub	111	532 15 62-40	Spacer Shift Lever VGTH
20	873 94 08-00	Nut	112	532 17 85-58	Washer Nylon High Temp
22	532 18 02-35	Lever Asm Shift	114	873 80 05-00	Nut Lock Hex W/Ins 5/16-18 unc
23	532 14 08-45	Knob	117	873 90 06-00	Nut, Lock Flg. 3/8-16
29	532 17 66-00	Brake, Rod	120	817 00 06-12	Screw 3/8-16 x .75
33	812 00 00-53	Ring E	121	532 17 56-11	Bracket Strap Torque
34	532 07 16-73	Cap, Parking Brake	122	872 01 05-20	Bolt RDHDSQ 5/16-18 unc x 2-1/2
35	532 13 76-48	Rod, Parking Brake	123	532 19 24-38	Rod Shift
36	532 14 94-12	Spring, Drive Ground	124	532 16 54-92	Bolt Shoulder 5/16-18 x .561
37	532 12 17-49	Washer 25/32 x 1-1/4 x 16 Ga.	126	532 16 60-02	Washer SRRTD 5/16 ID x 1.0 x .125
38	532 15 00-35	Nyliner	127	532 17 73-62	Link Control Clutch
39	874 32 10-16	Screw, Fin. #10-24 x 1	128	532 17 66-24	Spring Drive GRND
40	532 17 85-75	Actuator, Interlock VGT	129	532 17 94-73	Bracket Asm Idler Tensioning
41	873 93 10-00	Nut Centerlock 10-24 unc	130	819 13 10-16	Washer 13/32 x 5/8 x 16 Ga.
42	532 12 48-72	Cover, Pedal	131	876 02 03-12	Pin Cotter 3/32 x 3/4
46	532 14 51-70	Retainer, Spring	132	532 17 54-67	Bracket Mtg Hydro 3500 LH VGT
48	872 11 06-14	Bolt Rdhd 3/8-16 x 1.3/4 Gr. 5	133	532 17 54-68	Bracket Mtg Hydro 3500 RH VGT
50	532 13 14-94	Pulley, Idler, Flat	135	532 17 73-64	Link Asm Control Hydro 3500
52	532 12 77-83	Pulley, Idler, Grooved	137	532 12 49-49	Nut Lock 5/16-18 NC Thd.
55	532 10 57-06	Bearing, Idler	138	532 00 13-70	Washer Thrust 5/8 x 1.10 x 1/32
56	532 16 15-97	V-Belt	142	532 17 54-69	Strap Torque HG-3500
58	874 76 07-24	Bolt Fin Hex 7/16-14 x 1-1/2	143	817 00 05-12	Screw Thdrol 5/16-18 x 3/4
61	532 14 39-95	Pulley, Transaxle	145	532 16 31-68	Washer Axle Flange HG-3000
64	532 17 66-01	Shaft, Brake Pedal	146	532 14 04-62	Fan 7" Hydro
65	532 17 96-13	Bolt, Shoulder	147	532 14 13-22	Washer
68	532 00 51-42	Pin, Roll	151	874 76 05-14	Bolt Hex 5/16-18 x 7/8
69	532 12 38-00	Washer	152	532 17 87-05	Bolt Hex 5/16 x 1 W/Patch
70	532 19 48-77	Console Automatic YT/GT	153	532 12 47-88	Spring, Retainer
73	874 49 05-48	Bolt Hex Flghd 5/16-18 x 3 Gr. 5			
74	532 14 24-32	Screw Hex Wsh. Hi-Lo 1/4-1/2			
77	874 78 07-16	Bolt Fin Hex 7/16-14 x 1			
89	873 68 07-00	Nut Crownlock 7/16-14 unc			

NOTE: All component dimensions given in U. S. inches 1 inch = 25.4 mm

REPAIR PARTS

TRACTOR - - MODEL NO. GTH2654 (96025000101) PRODUCT NO. 960 25 00-01
STEERING ASSEMBLY



REPAIR PARTS

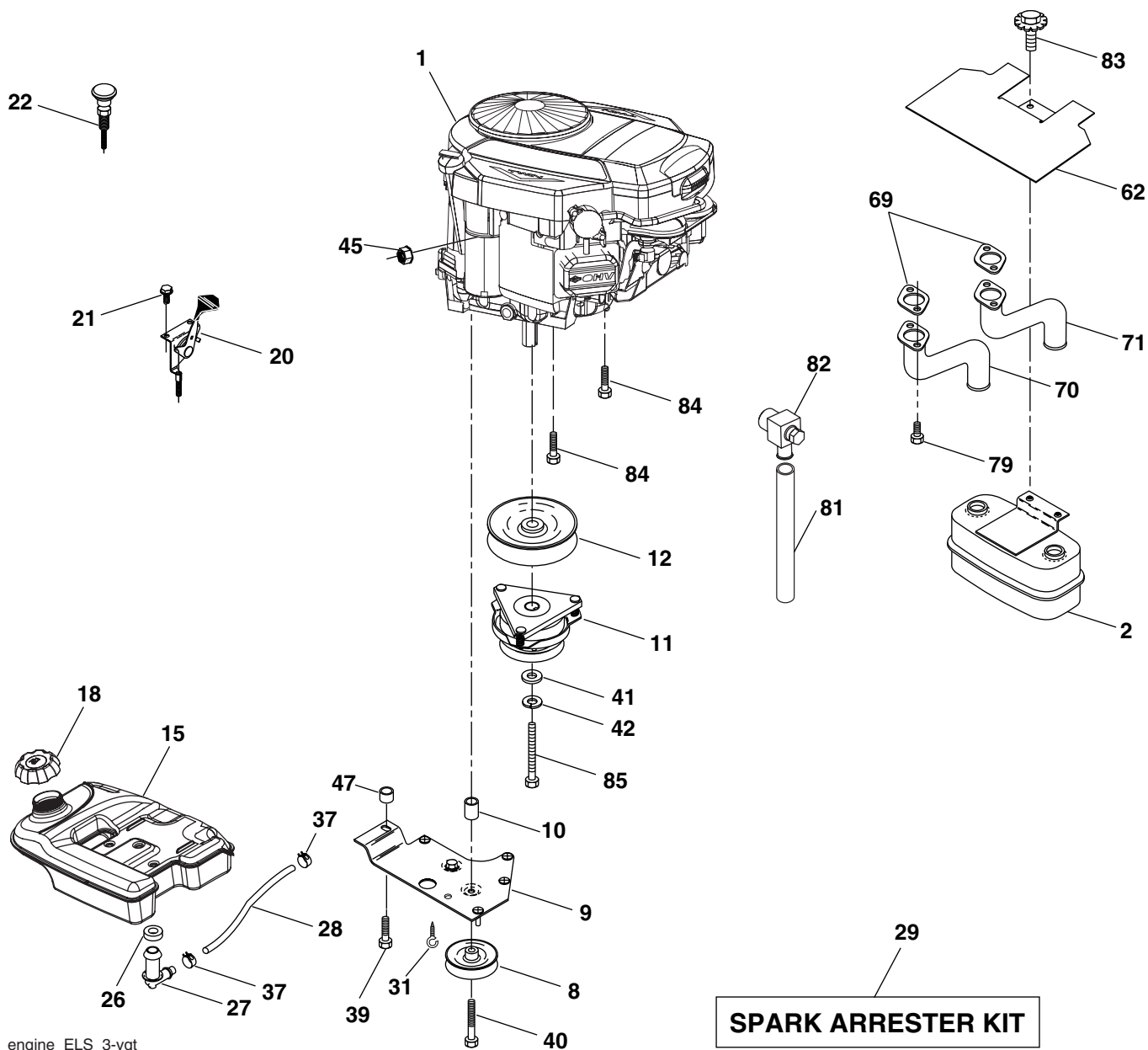
TRACTOR - - MODEL NO. GTH2654 (96025000101) PRODUCT NO. 960 25 00-01
STEERING ASSEMBLY

KEY NO.	PART NO.	DESCRIPTION
1	532 19 36-51	Wheel, Steering
2	532 17 85-57	Axle Asm., Front
3	532 18 32-26	Fitting, Grease
4	532 16 18-49	Spindle Asm, LH
5	532 16 18-48	Spindle Asm., RH
6	532 12 49-31	Bearing, Race Thrust Harden
7	532 12 17-48	Washer 25/32 x 1-5/8 x 16 Ga.
8	812 00 00-29	Ring, Klip #T5304-75
9	532 12 12-32	Cap, Spindle
10	874 78 10-44	Bolt, Fin Hex 5/8-11 x 2-3/4
11	532 13 65-18	Spacer Brg Axle Front 1.570
12	873 90 10-00	Nut, Lock Flange 5/8-11 unc
13	532 12 17-49	Washer 25/32 x 1-1/4 x 16 Ga.
14	810 04 06-00	Washer, Lock Hvy Hlcl Spr 3/8
15	873 54 06-00	Nut Crownlock 3/8-24
16	532 18 68-14	Shaft Asm., Steering
18	532 18 77-99	Draglink, Vgt
19	532 15 60-11	Support Asm., Steering Vgt
20	532 17 75-92	Boot Steering
21	532 18 67-37	Adapter, Wheel Steering
22	532 15 51-05	Bushing, Strg.
23	532 15 29-27	Screw
26	532 19 36-52	Cap , Wheel Steering
27	532 12 49-37	Bearing, Col. Strg.
28	817 00 06-12	Screw 3/8-16 x 3/4
29	532 10 42-39	Bearing, Flange
31	532 13 81-36	Bushing, Nyliner Snap
32	819 11 16-10	Washer 11/32 x 1 x 10 Ga.
33	810 04 05-00	Washer, Lock Hvy Hlcl Spr 5/16
34	874 78 05-12	Bolt, Hex Hd 5/16-18 x 3/4
35	532 18 70-39	Gear, Sector Steering
36	532 18 67-99	Tie Rod
41	532 15 52-46	Bracket Switch Inerlock VGT97
42	817 49 05-08	Screw 5/16-18 x 1/2
45	819 18 38-12	Washer 9/16 ID x 2-3/8 OD 12 G Zin
46	819 13 16-10	Washer 13/32 x 1 x 10 Ga.
47	532 17 94-71	Bracket Asm. Idler
49	532 17 58-20	Pulley Idler Flat
50	873 90 06-00	Nut Lock Flg 3/8-16 unc
51	873 94 08-00	Nut Hex Jam Toplock 1/2-20 unf
52	532 17 55-53	Clip Steering .750
53	532 18 89-67	Washer Harden .793 x 1.63 x 060

NOTE: All component dimensions given in U.S. inches
1 inch = 25.4 mm

REPAIR PARTS

TRACTOR - - MODEL NO. GTH2654 (96025000101) PRODUCT NO. 960 25 00-01
ENGINE



engine_ELS_3-vgt

REPAIR PARTS

TRACTOR - - MODEL NO. GTH2654 (96025000101) PRODUCT NO. 960 25 00-01
ENGINE

KEY NO.	PART NO.	DESCRIPTION
1	-----	Engine B & S, Model No. 446777 (Order parts from engine manufacturer)
2	532 14 97-23	Muffler Side
8	532 12 13-61	Pulley V-Idler
9	532 17 77-48	Keeper Asm. Belt Engine VGT
10	532 17 52-87	Bushing
11	532 17 93-35	Clutch Electric
12	532 14 39-96	Pulley Engine VGT Elect Clutch
15	532 17 91-15	Tank Fuel Rear 5.0
18	532 18 18-03	Cap Fuel
20	532 17 83-85	Control Throttle
21	532 19 16-11	Screw 10 x 3/4 Single Lead Hex
22	532 19 15-96	Control Choke
26	532 12 49-52	Bushing
27	532 13 92-77	Stem Tank Fuel
28	532 12 47-03	Fuel Line
29	532 13 71-80	Spark Arrester Kit
31	532 14 50-06	Clip Push-In Hinged
37	532 12 34-87	Clamp Hose
39	817 49 06-36	Screw TT 3/8-16 x 2-1/4 unc
40	817 49 06-64	Screw TT 3/8-16 x 4 unc
41	532 12 61-97	Washer 1-1/2 OD X 15/32 ID X .250
42	810 04 07-00	Washer Lock 7/16
45	873 51 04-00	Nut Keps Hex 1/4-20 UNC
47	532 17 52-88	Bushing
62	532 14 66-29	Shield Heat Muffler
69	532 16 53-91	Gasket
70	532 17 60-69	Tube Exhaust LH
71	532 17 60-70	Tube Exhaust RH
79	532 18 39-06	Screw Socket Head 5/16-18 x 1
81	532 18 88-00	Oil Drain Tube
82	532 18 87-99	Valve Drain Oil
83	532 17 18-77	Bolt 5/16-18 unc x 1-3/4 W/Sems
84	817 06 06-24	Screw 3/8-16 x 1-1/2
85	532 17 99-53	Bolt Hex 7/16-20 x 3.75 Gr. 5
86	532 18 43-62	Nut Hex Flange Toplock M8-1.25

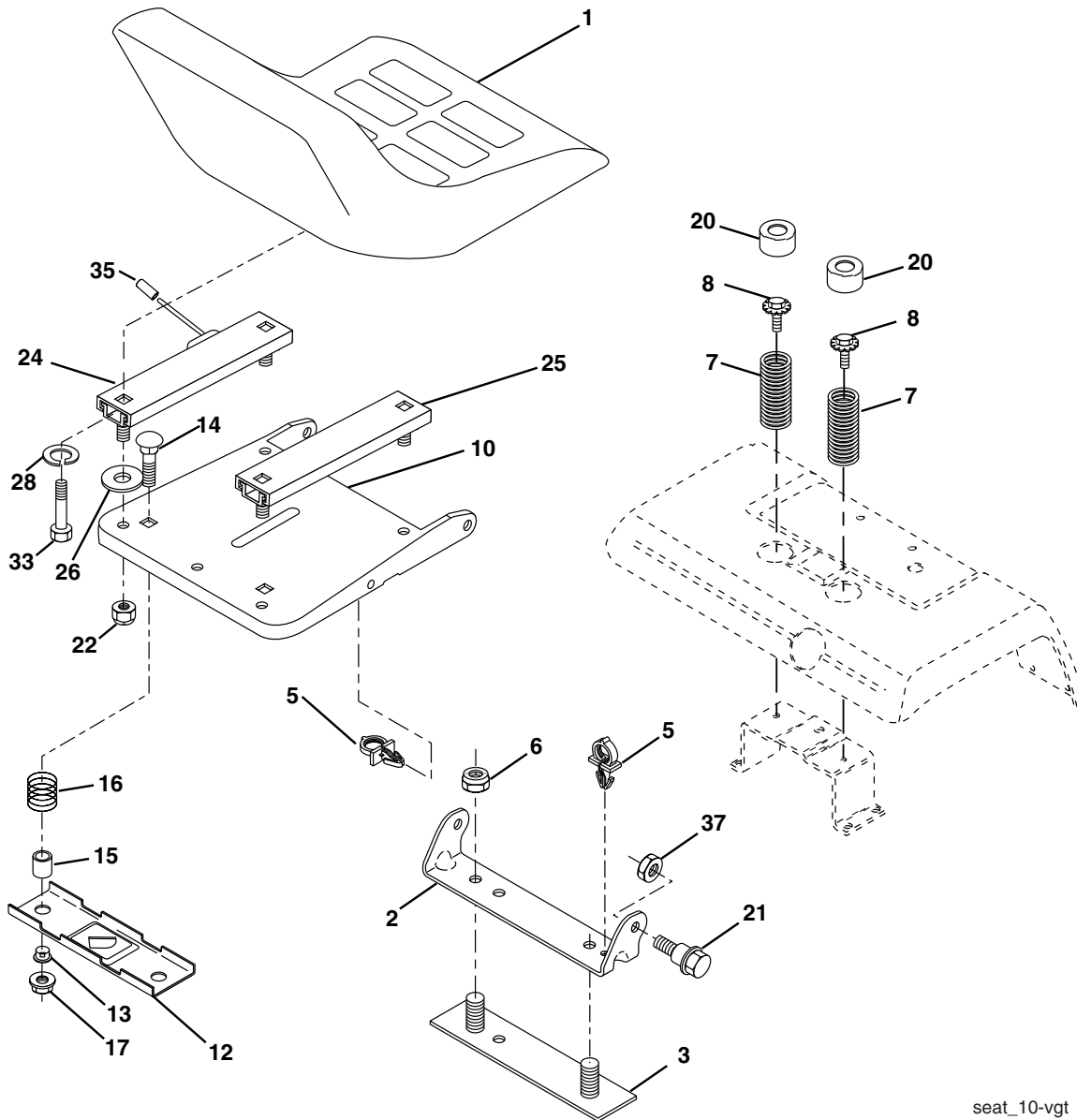
NOTE: All component dimensions given in U.S. inches
1 inch = 25.4 mm

For engine service and replacement parts, call the toll free number for your engine manufacturer listed below:

Briggs & Stratton	1-800-233-3723
Kohler Co.	1-800-544-2444
Tecumseh Products	1-800-558-5402
Honda Engines	1-800-426-7701
Kawasaki	1-949-460-5688

REPAIR PARTS

TRACTOR - - MODEL NO. GTH2654 (96025000101) PRODUCT NO. 960 25 00-01
SEAT ASSEMBLY



seat_10-vgt

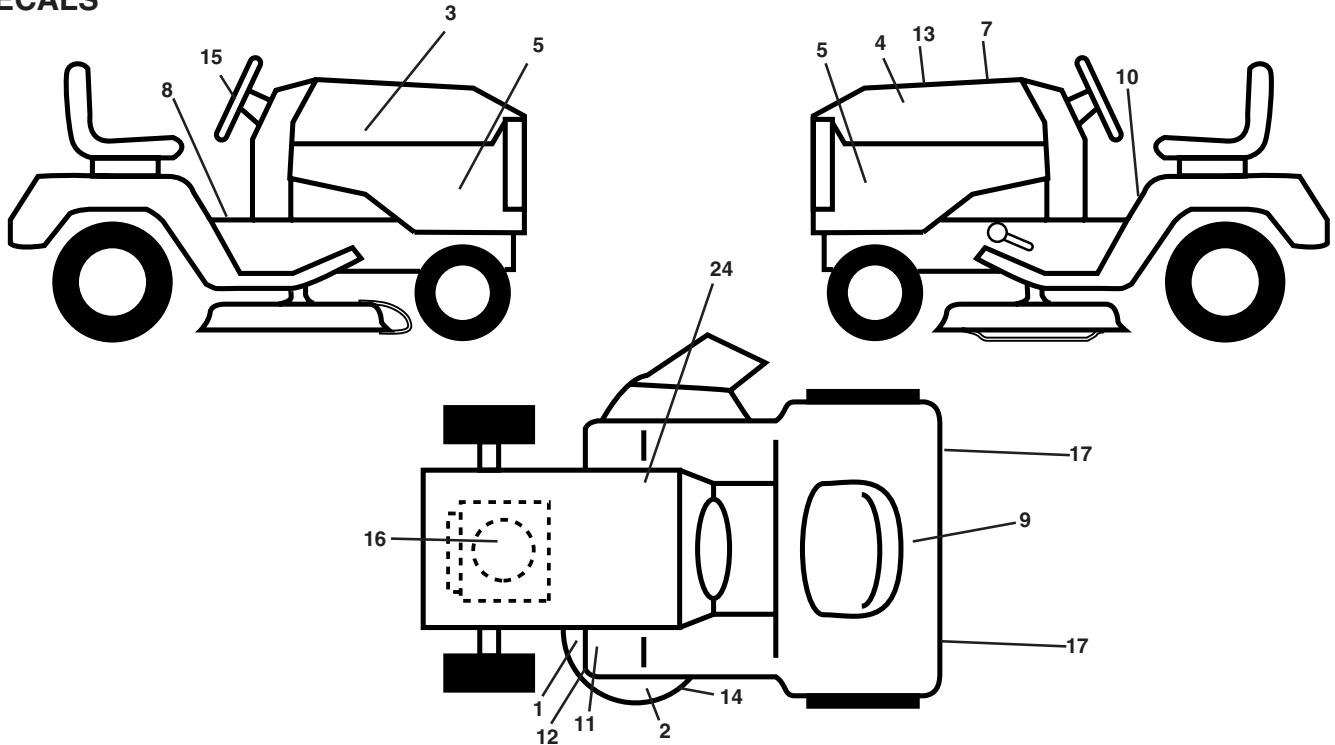
KEY NO.	PART NO.	DESCRIPTION
1	532 18 87-15	Seat
2	532 14 05-51	Bracket, Pivot Seat
3	532 14 06-75	Strap Asm Fender
5	532 14 50-06	Clip, Push In Hinged
6	873 80 06-00	Nut, Crownlock 3/8-16
7	532 12 41-81	Spring, Seat Cprsn
8	532 17 18-77	Bolt 5/16-18 Unc x 3/4
10	532 18 24-93	Pan, Seat
12	532 17 46-48	Bracket, Mounting Switch
13	532 12 12-48	Bushing, Snap
14	872 05 04-12	Bolt, Carriage 1/4-20 x 1-1/2
15	532 12 12-49	Spacer, Split
16	532 12 37-40	Spring, Cprsn

KEY NO.	PART NO.	DESCRIPTION
17	532 12 39-76	Nut, Lock 1/4 Lge Flg Gr. 5
20	532 12 42-38	Cap Spring Seat
21	532 17 18-52	Bolt, Shoulder 5/16-18
22	873 68 05-00	Nut Crown Lock 5/16-18
24	532 17 79-46	Track Slide Seat LH
25	532 17 79-47	Track Slide Seat RH
26	819 11 10-12	Washer 11/32 x 5/8 x 12 Ga.
28	810 01 05-00	Washer Split
33	874 78 05-12	Bolt Fin Hex 5/16-18 x 3/4
35	532 17 84-26	Cap Vinyl
37	873 80 05-00	Nut, Crownlock 5/16-18

NOTE: All component dimensions given in U.S. inches
1 inch = 25.4 mm

REPAIR PARTS

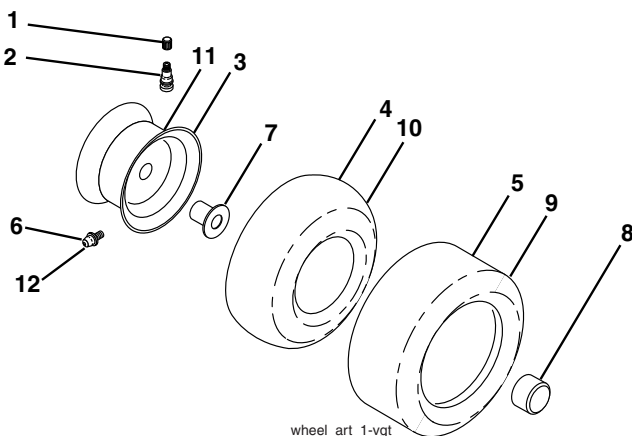
TRACTOR - - MODEL NO. GTH2654 (96025000101) PRODUCT NO. 960 25 00-01
DECALS



KEY NO.	PART NO.	DESCRIPTION
1	532 17 84-55	Decal, Deck Caution
2	532 17 84-82	Decal, Deck Hvy Duty
3	532 18 89-47	Decal, Hood RH
4	532 18 89-48	Decal, Hood LH
5	532 19 55-54	Decal, Side Panel
6	532 17 05-63	Decal, Warning
7	532 18 09-41	Decal, Cust. Resp.
8	532 19 60-43	Decal, Operator
9	532 19 15-54	Decal, Fender
10	532 15 70-02	Decal, Danger

KEY NO.	PART NO.	DESCRIPTION
11	532 18 12-52	Decal, Foot Rest
12	532 19 30-62	Decal, MWR DCK Upstop
13	532 19 43-62	Decal, Replacement
14	532 18 82-98	Decal, V-Belt Schematic
15	532 18 89-25	Decal, Ins. Strng Whl
16	532 19 68-89	Decal, Engine HP
17	532 10 62-02	Reflector
24	532 14 50-05	Decal, Btry Dngr/Psn
--	532 16 69-60	Decal, Drawbar
--	532 18 19-17	Pad Footrest RH
--	532 18 19-16	Pad Footrest LH
--	532 19 65-30	Manual, Owners (Eng.)

WHEELS & TIRES

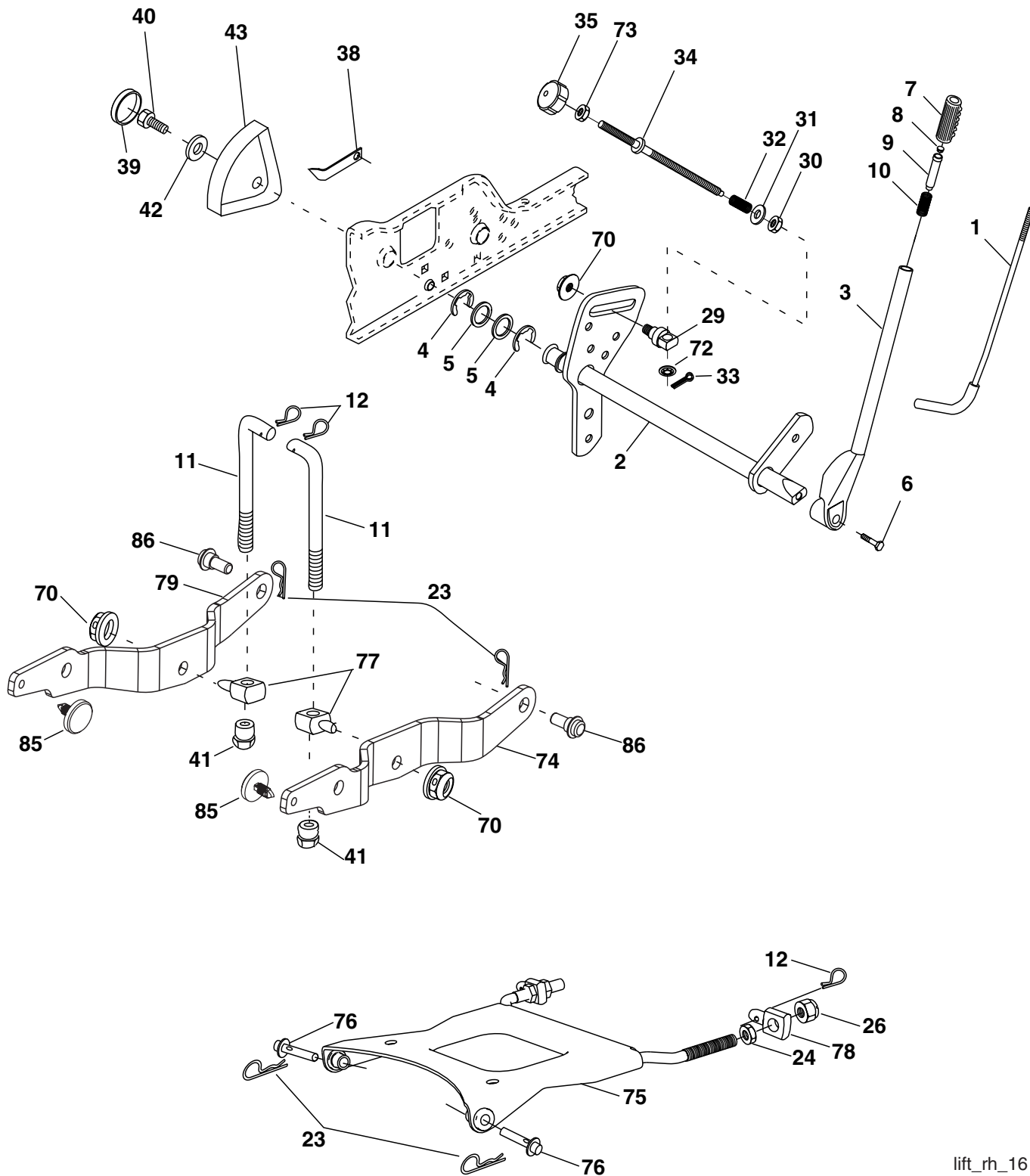


KEY NO.	PART NO.	DESCRIPTION
1	532 05 91-92	Cap, Valve, Tire
2	532 06 51-39	Stem, Valve
3	532 14 45-09	Rim Assembly, Front
4	532 00 81-34	Tube, Front (Service Item Only)
5	532 10 62-30	Tire, Front
6	532 12 49-57	Fitting, Grease
7	532 12 49-59	Bearing, Flange (Front Wheel Only)
8	532 17 50-39	Cap, Hub
9	532 10 55-88	Tire, Rear
10	532 00 71-54	Tube, Rear (Service Item Only)
11	532 14 45-10	Rim Assembly, Rear
12	532 12 48-60	Fitting, Grease
--	532 14 43-34	Sealant, Tire (10 oz. Tube)

NOTE: All component dimensions given in U.S. inches
1 inch = 25.4 mm

REPAIR PARTS

TRACTOR - - MODEL NO. GTH2654 (96025000101) PRODUCT NO. 960 25 00-01
LIFT ASSEMBLY



lift_rh_16

REPAIR PARTS

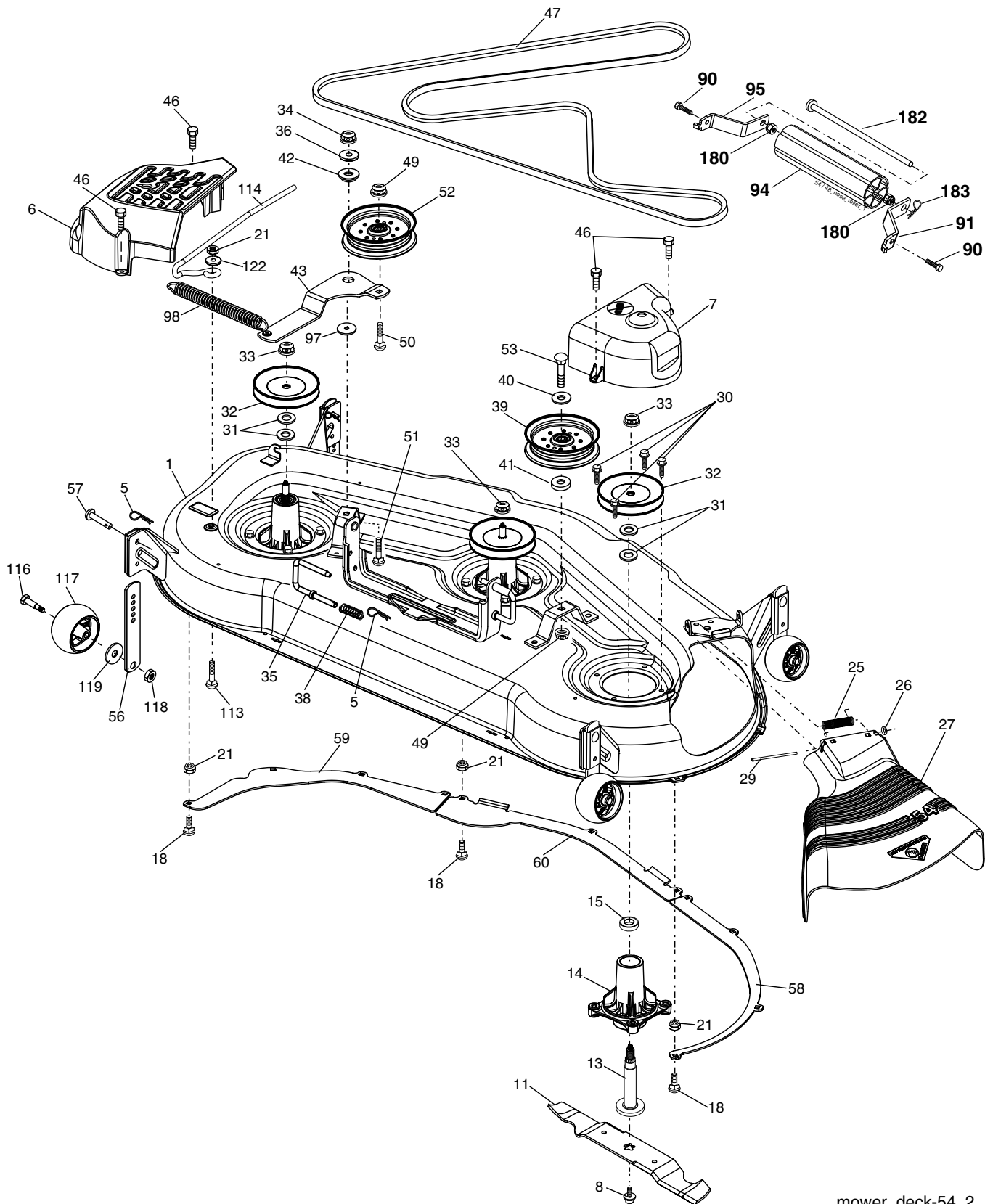
TRACTOR - - MODEL NO. GTH2654 (96025000101) PRODUCT NO. 960 25 00-01
LIFT ASSEMBLY

KEY NO.	PART NO.	DESCRIPTION
1	532 12 10-06	Rod Asm., Lever
2	532 18 00-45	Shaft Asm., Lift Vgt
3	532 15 91-89	Lever Asm., Lift Rh
4	812 00 00-22	E-Ring Truarc #5133-87
5	819 29 20-16	Washer 29/32 x 1-1/4 x 16 Ga.
6	871 11 06-24	Bolt, Fin Hex 3/8-16 x 1-1/2
7	532 12 56-31	Grip, Handle
8	532 12 45-26	Button, Plunger
9	532 12 23-64	Plunger, Lever Lift
10	532 18 38-94	Spring 0.62 OD x 2.125
11	532 17 53-75	Link Lift
12	532 16 35-52	Retainer, Spring
23	532 12 46-70	Retainer, Spring
24	873 35 08-00	Nut, Jam Hex 1/2-13 unc
26	873 80 08-00	Nut, Lock W/Wsh 1/2-13 unc
29	532 15 02-33	Trunnion Infin Height
30	532 11 08-07	Nut, Special
31	819 13 10-16	Washer 13/32 x 5/8 x 16 Ga.
32	532 13 71-50	Spring, Compression Inf Hgt
33	876 02 03-08	Pin, Cotter 3/32 x 1/2
34	532 13 71-67	Rod, Adj Lift
35	532 13 80-57	Knob, Inf 3/8-16 unc
38	532 15 50-97	Pointer Height Indicator
39	532 12 39-35	Plug, Hole Blk. 1.485/1.515 Dia.
40	817 06 05-16	Screw 5/16-18 x 1
41	532 17 59-94	Nut, Crownlock 3/8-24
42	819 11 24-10	Washer 11/32 x 1-1/2 x 10 Ga.
43	532 12 39-34	Scale, Indicator Height
70	532 14 52-12	Nut Hex Flange Lock
72	532 11 04-52	Nut Push Phos & Oil
73	873 35 06-00	Nut, Hex Jam 3/8-16 unc
74	532 18 72-77	Arm Suspension Rear RH
75	532 17 58-05	Plate, Asm, Susp, Front
76	532 17 55-60	Pin Flange
77	532 17 62-05	Trunnion
78	532 17 56-89	Trunnion, Front, Susp
79	532 18 72-76	Arm, Suspension Rear LH
85	532 18 90-13	Insert Wear
86	532 18 85-28	Bolt Shoulder

NOTE: All component dimensions given in U.S. inches
1 inch = 25.4 mm

REPAIR PARTS

TRACTOR - - MODEL NO. GTH2654 (96025000101) PRODUCT NO. 960 25 00-01
MOWER DECK



mower_deck-54_2

REPAIR PARTS

TRACTOR - - MODEL NO. GTH2654 (96025000101) PRODUCT NO. 960 25 00-01
MOWER DECK

KEY NO.	PART NO.	DESCRIPTION	KEY NO.	PART NO.	DESCRIPTION
1	532 19 68-38	Deck Weldment Mower	51	872 11 06-10	Bolt 3/8-16 x 1-1/4 Gr. 5
5	532 12 46-70	Retainer Spring	52	532 18 84-60	Pulley Idler clutching
6	532 18 72-97	Cover Mandrel LH	53	874 78 06-36	Bolt fin Hex 3/8-16 UNC x 2-1/4
7	532 18 81-87	Cover Mandrel RH	56	532 15 59-86	Bar Pnt Adj.
8	532 17 43-65	Bolt 7/16 Asm. Blade	57	532 15 69-41	Pin Head Rivet
11	532 18 72-54	Blade Standard	58	532 18 73-42	Baffle Right
13	532 18 72-91	Shaft Asm. w/Lower Bearing	59	532 18 73-44	Baffle Left
14	532 18 72-81	Mandrel Housing	60	532 18 76-07	Baffle Center
15	532 11 04-85	Bearing, Ball, Mandrel	90	874 76 05-16	Bolt 5/16-18 x 1
18	872 14 05-05	Bolt Carr 5/16-18 x 5/8	91	532 18 05-35	Bracket Asm N Roller RH
21	873 68 05-00	Nut, Crownlock 5/16-18 unc	94	532 17 60-66	Roller Nose 48"
25	532 17 81-02	Spring Torsion	95	532 18 05-34	Bracket N Roller LH
26	532 11 04-52	Nut, Push	97	819 13 32-10	Washer Hardened
27	532 18 89-38	Deflector Shield	98	532 18 72-82	Spring Clutch Drive
29	532 13 14-91	Rod, Hinge	113	872 11 05-08	Rod Rdhd Sqnk 5/16-18 unc x 3/4
30	532 17 39-84	Screw Thd Roll	114	532 18 75-56	Rod Tension Relief
31	532 18 76-90	Washer, Spacer Mower Vented	116	532 19 34-06	Bolt, Shoulder
32	532 17 34-36	Pulley, Mandrel	117	532 17 48-73	Gauge Wheel
33	532 17 83-42	Nut, Flg. Top Lock Cntr. 9/16	118	873 93 06-00	Nut, Centerlock 3/8-16 unc
34	873 68 06-00	Nut	119	819 12 14-14	Washer 3/8 x 7/8 x 14 Ga.
35	532 18 86-35	Pin Suspension Rear	122	532 18 75-57	Bushing Tension Relief
36	819 13 13-16	Washer 13/32 x 13/16 x 16 Ga.	180	873 80 05-00	Nut 5/16-18
38	532 18 86-57	Spring Compression	182	532 17 91-27	Rod Roller Nose Narrow
39	532 18 72-84	Pulley, Idler, Stationary	183	532 16 35-52	Retainer Spring
40	819 13 13-12	Washer 13/32 x 13/16 x 12 Ga.	--	532 18 72-92	Mandrel Asm. Service
41	819 13 22-03	Washer 13/32 x 1-3/8 x 3 Ga.	--	532 19 60-99	(Includes Key Nos. 13-15 and 33)
42	532 12 20-52	Spacer, Retainer			Replacement Mower, Complete
43	532 19 62-16	Arm, Idler			(Std. deck order separately nose
46	532 13 77-29	Screw, Thdroll. 1/4-20 x 5/8			roller components key nos. 90,
47	532 19 12-73	V-Belt, Mower, Secondary			91, 94, 95, 180, 182, 183)
49	873 90 06-00	Nut, Lock Flg. 3/8-16 unc			
50	872 11 06-16	Bolt, Carr. 3/8-16 x 2			

NOTE: All component dimensions given in U.S. inches
1 inch = 25.4 mm