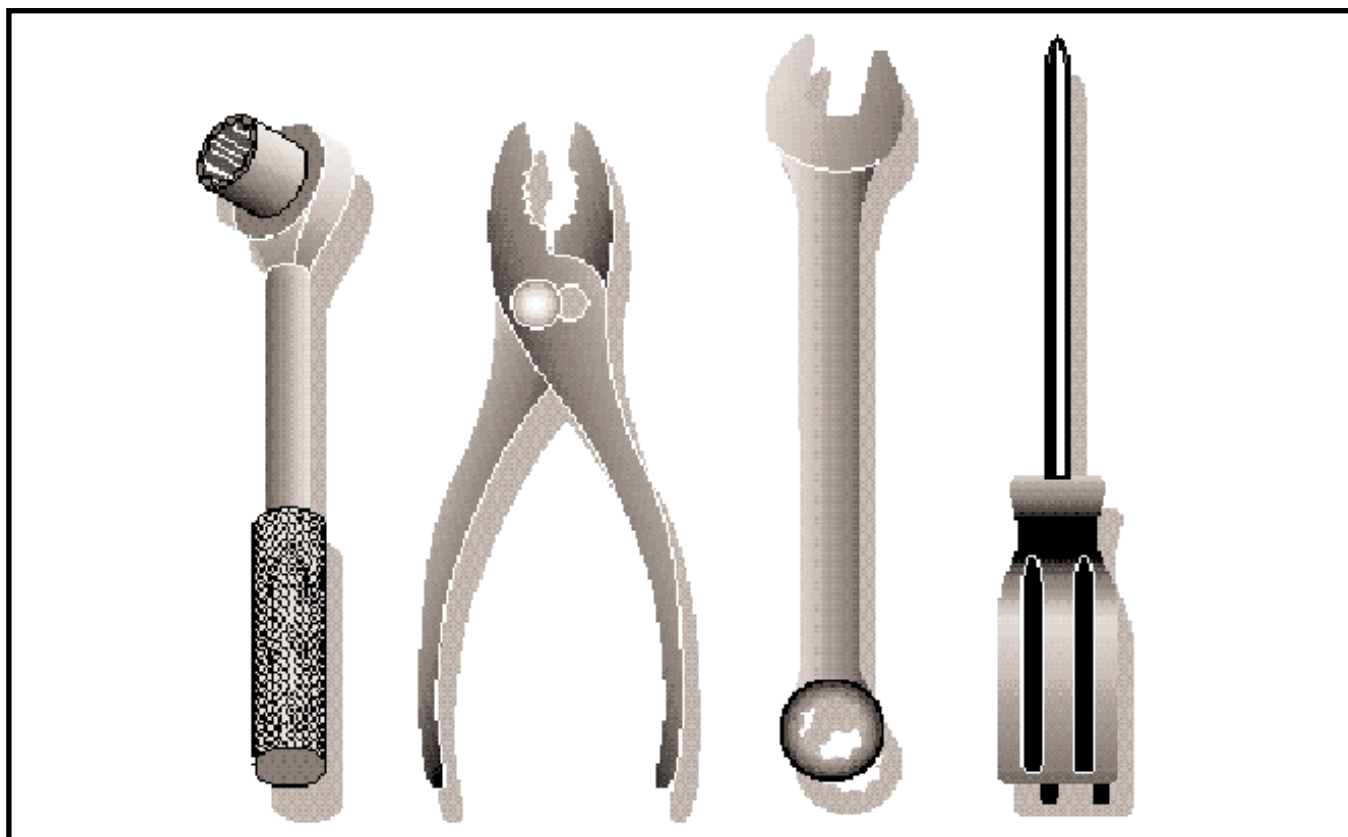


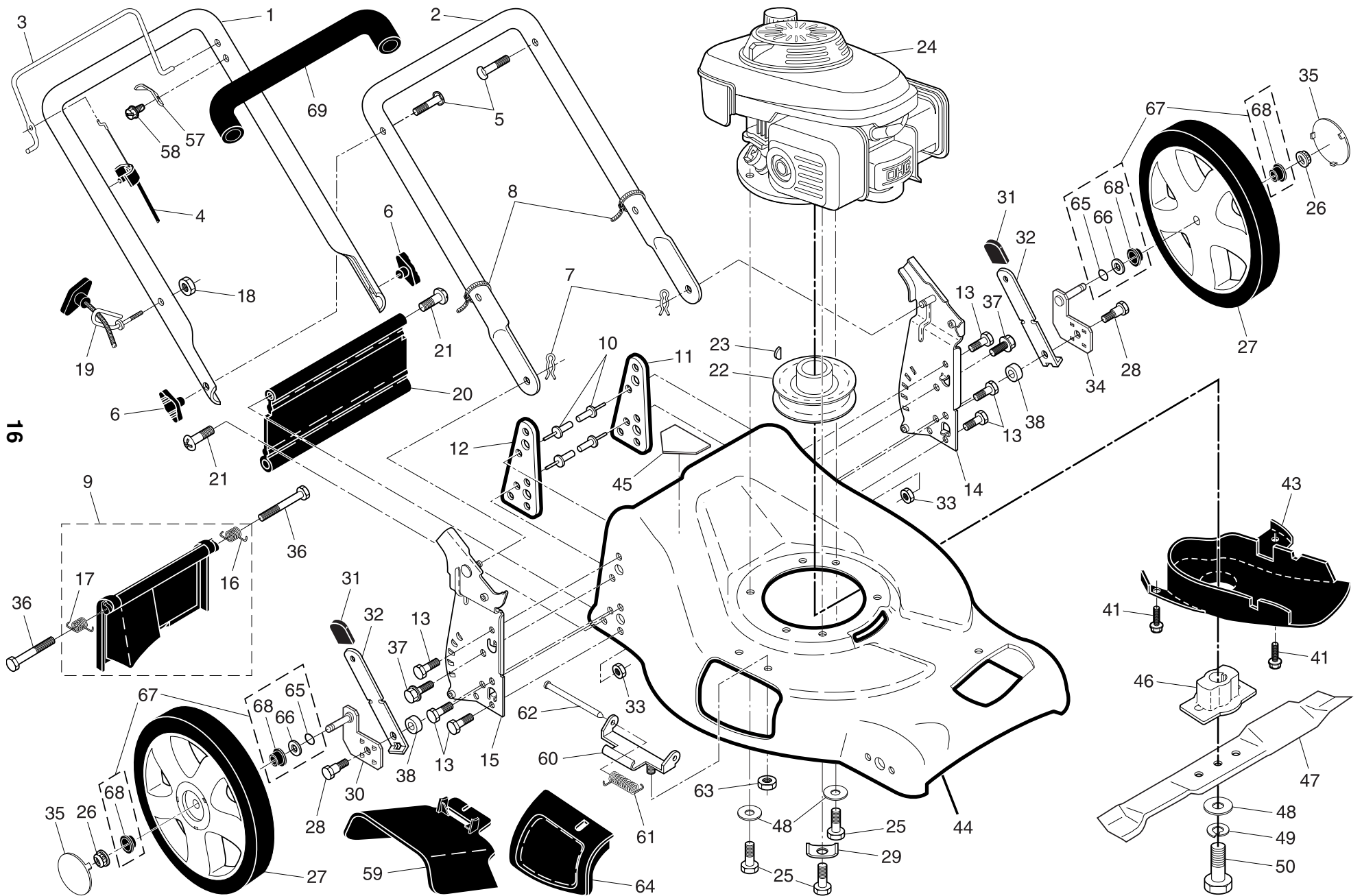
Walk Mower

5521CHV

96143000100



ROTARY LAWN MOWER - - MODEL NUMBER 5521CHV (96143000100) - PRODUCT NUMBER 961 43 00-01

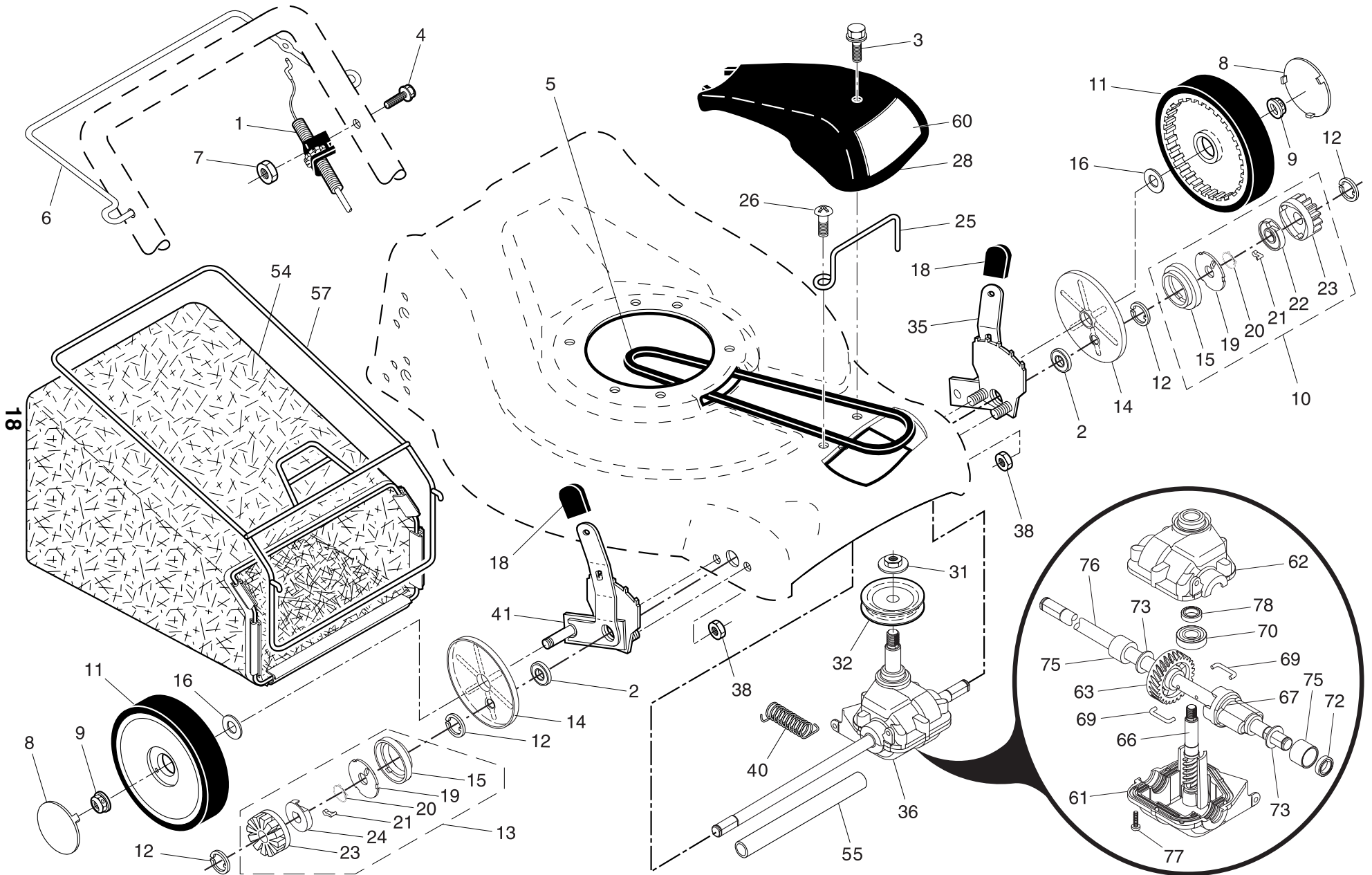


ROTARY LAWN MOWER - - MODEL NUMBER 5521CHV (96143000100) - PRODUCT NUMBER 961 43 00-01

KEY NO.	PART NO.	DESCRIPTION	KEY NO.	PART NO.	DESCRIPTION
1	532 18 60-24	Upper Handle	32	532 18 25-37	Selector Spring
2	532 15 34-18	Lower Handle	33	873 80 05-00	Nut, Hex 5/16-18
3	532 18 60-11	Control Bar	34	532 18 25-42	Axle Arm Assembly, LR
4	532 18 35-67	Engine Zone Control Cable	35	532 19 18-53	Hubcap
5	532 19 15-74	Handle Bolt	36	532 18 41-93	Bolt
6	532 19 18-56	Handle Knob	37	532 15 00-78	Thread Cutting Screw w/Sems 5/16-18 x 3/4
7	532 05 17-93	Hairpin Cotter	38	819 11 22-06	Washer
8	532 06 64-26	Wire Tie	41	532 18 80-40	Screw
9	532 18 04-79	Kit, Rear Door (Includes Key #16 and 17)	43	532 18 70-38	Debris Shield
10	532 12 84-15	Pop Rivet	44	532 18 55-83	Kit, Lawn Mower Housing (Includes Key Numbers 10, 11, 12 and 45)
11	532 18 25-38	Support Bracket, LH	45	532 10 73-39	Danger Decal
12	532 18 25-39	Support Bracket, RH	46	532 18 45-90	Blade Adapter
13	817 06 04-10	Screw 1/4-20 x 5/8	47	532 18 90-28	Blade, 21"
14	532 18 25-43	Handle Bracket Assembly, LH	48	532 85 10-74	Hardened Washer
15	532 18 25-45	Handle Bracket Assembly, RH	49	532 85 02-63	Helical Washer 3/8-24 x 1-3/8 Grade 8
16	532 18 00-71	Spring, LH	50	532 85 10-84	Hex Head Machine Screw 3/8-24 x 1-3/8 Grade 8
17	532 18 00-72	Spring, RH	57	532 12 51-62	Upstop Bracket
18	532 13 20-04	Keps Locknut 1/4-20	58	532 75 06-34	Screw
19	532 17 95-85	Rope Guide	59	532 18 55-82	Discharge Deflector
20	532 18 90-05	Rear Skirt	60	532 17 57-35	Hinge Bracket
21	532 08 86-52	Screw, Tapping 1/4-20 x 1/2	61	532 17 52-85	Spring
22	532 18 50-05	Engine Pulley	62	532 17 56-50	Hinge Rod
23	532 18 77-23	Key, Hi-Pro	63	873 80 04-00	Nut, Hex
24	- - -	Engine, Honda, Model Number GCV160 (For engine service and replacement parts, call Honda Engines at 1-800-426-7701)	64	532 18 55-76	Mulcher Door
25	532 15 04-06	Hex Head Thread Rolling Screw 3/8-16 x 1-1/8	65	532 18 81-52	O-Ring
26	532 08 39-23	Hex Flange Nut	66	532 08 83-48	Washer, Flat 1/2
27	532 18 55-72	Wheel & Tire Assembly, Rear, 14"	67	532 19 34-98	Kit, Bushing
28	532 16 08-28	Shoulder Bolt 5/16-18 x .33	68	532 19 36-96	Bushing, Nylon, Black
29	532 12 50-78	Washer, Engine, Zinc-Plated	69	532 18 63-62	Grip, Foam
30	532 18 25-41	Axle Arm Assembly, RR	- -	532 19 39-66	Owner's Manual, English / French
31	532 18 55-75	Selector Knob			

NOTE: All component dimensions given in U.S. inches.
1 inch = 25.4 mm

ROTARY LAWN MOWER - - MODEL NUMBER 5521CHV (96143000100) - PRODUCT NUMBER 961 43 00-01



ROTARY LAWN MOWER - - MODEL NUMBER 5521CHV (96143000100) - PRODUCT NUMBER 961 43 00-01

19

KEY NO.	PART NO.	DESCRIPTION
1	532 18 91-82	Drive Control Assembly, with Cable
2	532 16 99-11	Bearing, Wheel Adjuster
3	532 17 52-62	Pan Head Tapping Screw #10-24 x 2-3/4
4	532 18 56-81	Hex Washer Head Screw 1/4-20 x 2.12
5	532 16 97-78	V-Belt
6	532 19 61-88	Control Bar, Drive
7	532 75 11-52	Locknut #10-24
8	532 18 06-26	Hubcap
9	532 14 52-12	Locknut
10	532 18 83-31	Pinion Assembly, LH
11	532 18 07-67	Wheel & Tire Assembly
12	812 00 00-58	E-Ring
13	532 18 83-30	Pinion Assembly, RH
14	532 18 94-03	Dust Cover
15	532 18 41-72	Seal, Friction
16	532 06 77-25	Washer 1/2 x 1-1/2 x .134
18	532 18 55-74	Selector Knob
19	532 17 51-04	Disk, Drive
20	532 18 82-91	Spring, Torsion
21	532 17 50-98	Pawl
22	532 17 51-05	Retainer, Drive, LH
23	532 17 51-03	Gear, Pinion
24	532 17 51-02	Retainer, Drive, RH
25	532 18 81-02	Belt Keeper
26	532 17 37-15	Screw
28	532 18 55-79	Drive Cover
31	532 13 20-10	Hex Flange Nut
32	532 18 94-06	Drive Pulley

KEY NO.	PART NO.	DESCRIPTION
35	532 18 09-15	Kit, Wheel Adjuster, LH (Includes Knob and Bearing)
36	532 18 72-12	Gearcase Assembly, Complete
38	873 80 04-00	Locknut 1/4-20
40	532 18 22-26	Spring
41	532 18 09-14	Kit, Wheel Adjuster, RH (Includes Knob and Bearing)
54	532 19 47-24	Grassbag Assembly
55	532 17 57-39	Driveshaft Cover
57	532 18 88-15	Frame, Grassbag
60	532 18 90-66	Decal, Drive Cover
61	532 18 75-25 *	Case, Lower
62	532 18 75-26 *	Case, Upper
63	532 18 34-99	Gear, 27 Teeth
66	532 18 75-27	Shaft, Input
67	532 18 75-28	Spacer
69	532 18 35-05	Wire, Formed
70	532 18 35-06	Bearing, Ball
72	532 18 35-08	Seal, Output Shaft
73	532 18 35-09	Washer
75	532 18 35-11	Bushing
76	532 18 75-29	Shaft, Output
77	532 18 35-13	Screw
78	532 18 35-14	Seal, Input Shaft

* Use Dow Corning #709 to reseal Gear Case Halves.

NOTE: All component dimensions given in U.S. inches.
1 inch = 25.4 mm

IMPORTANT: Use only Original Equipment Manufacturer (O.E.M.) replacement parts. Failure to do so could be hazardous, damage your lawn mower and void your warranty.