

Parts Manual

Model:

968999245 / CZ3815

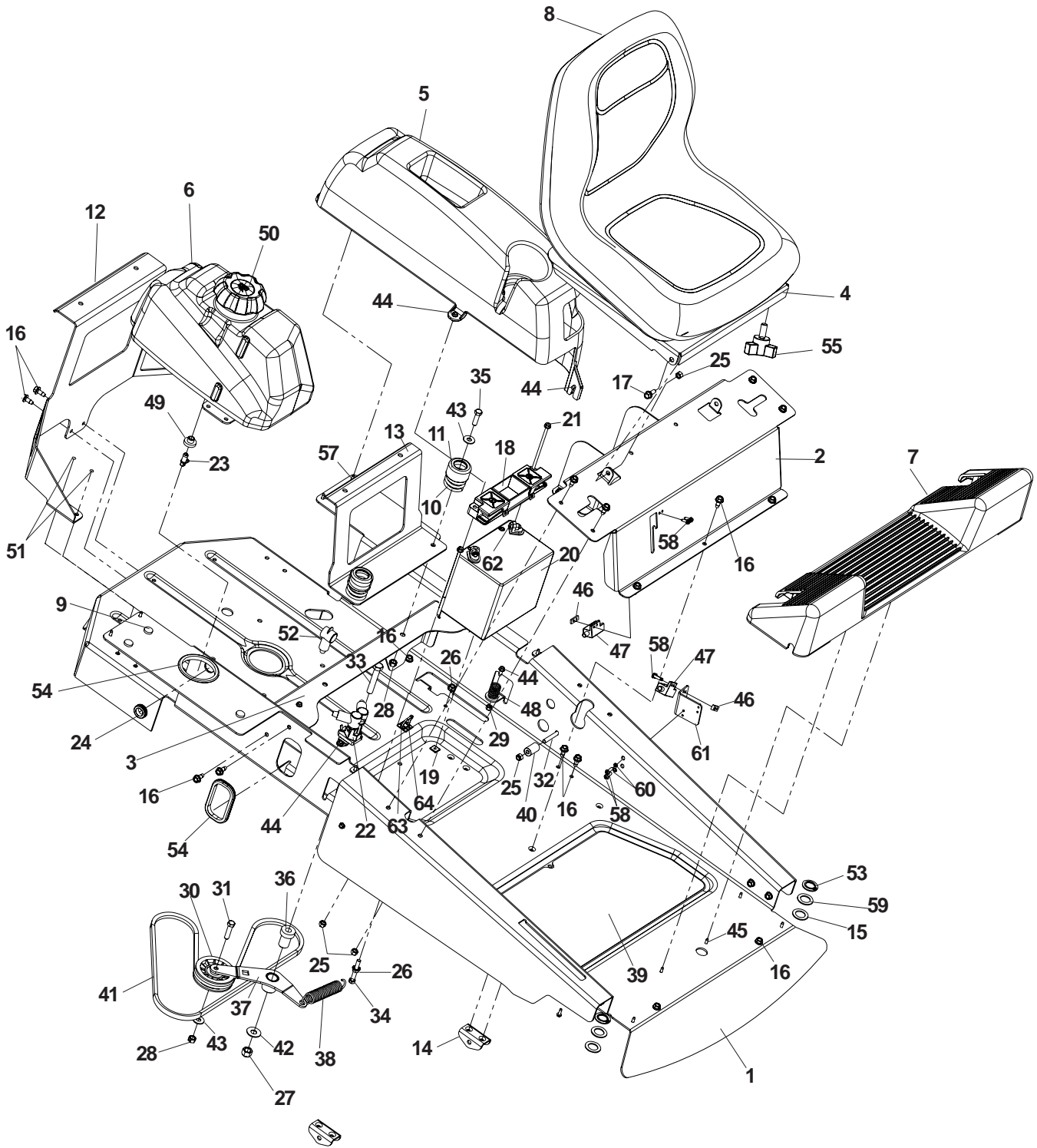
968999246 / CZ4217

968999275 / CZ42175

CONTENTS

MAIN FRAME	4-5
ENGINE ASSEMBLY (15 & 17.5 HP)	6-7
ENGINE ASSEMBLY (17 HP)	8-9
CASTER ASSEMBLY	10-11
CONSOLE ASSEMBLY	12-13
38" DECK ASSEMBLY	14-15
42" DECK ASSEMBLY	16-17
EZT	18-19
MOTION CONTROL	20-21
DECK LIFT	22-23
DECALS	24-25
UTILITY BOX	26
ACCESSORIES	27
WIRING SCHEMATIC	28

MAIN FRAME

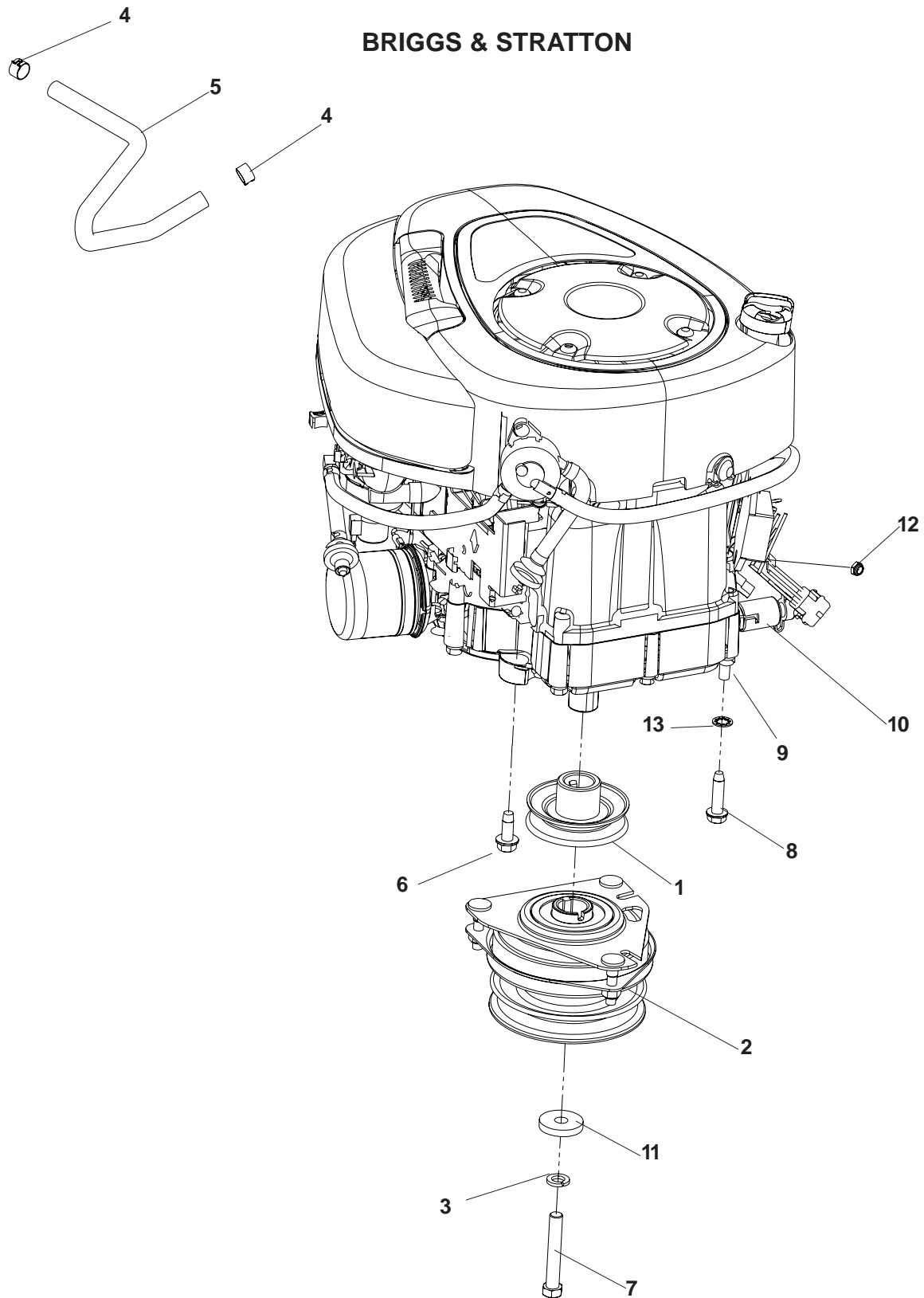


MAIN FRAME

ITEM	PART NO.	QTY.	DESCRIPTION	ITEM	PART NO.	QTY.	DESCRIPTION
1	539110008	1	FRAME, CHASSIS	34	539976938	1	HCS, 5/16-18 X 2 1/4,
2	539110131	1	CONSOLE	35	539976941	2	HCS, 3/8-16 X 1 1/4,
3	539110126	1	REAR SEAT SUPPORT	36	539101231	1	IDLER SPINDLE
4	539110134	1	SEAT PLATE	37	539110219	1	IDLER ARM, PUMP
5	539110251	1	FENDER, LEFT	38	539101977	1	TRACTION SPRING
6	539110252	1	TANK, FUEL	39	539110310	1	NON-SLIP MATTING
7	539110284	1	FOOT REST	40	539110312	2	MOTION LIMITER
8	539110302	1	SEAT	41	539110411	1	BELT, HYDRO
9	539102587	3	RUBBER STOP	42	539990550	1	WASHER, 1/2
10	539110300	2	SPRING, SEAT	43	539990517	3	WASHER, 3/8
11	539110301	2	CAP, SPRING COVER	44	539990362	8	SCREW, 1/4C X 5/8, SELF TAPPING
12	539109930	1	REAR BRACKET W/ DECALS, TOOLBOX	45	539110674	14	SCREW, 10-24 X 5/8, WASHER HEAD
13	539110052	1	FRONT BRACKET, TOOLBOX	46	539102678	3	PLATE, SWITCH, THREAD FORM
14	539110030	2	BRACKET, DECK HANGER	47	539101080	3	SWITCH N.C.
15	539923787	4	MACHINE BUSHING, 7/8	48	539110070	2	SPRING, NEUTRAL RETURN
16	539107475	25	BOLT, 5/16-18 X 3/4, THREAD FORMING	49	539105245	1	GROMMET, RUBBER
17	539110303	2	BOLT, 5/16, SHOULDER	50	539106188	1	FUEL CAP
18	539107628	1	BATTERY HOLD DOWN	51	539990369	4	SCREW, 5/16 X 1, TAPTITE
19	539107629	2	PUSH NUT, NYLON	52	539102759	3	INSULATOR
20	539109952	1	BATTERY 12V	53	539101151	2	RETAINING RING
21	539107632	2	BOLT, 1/4 X 7 1/2	54	539107116	2	GROMMET
22	539101714	1	SOLENOID	55	539104411	4	KNOB W/STUD
23	539110432	1	ELBOW, TANK	539110309	1	WIRING HARNESS (NOT SHOWN)	
24	539110433	1	GROMMET, FUEL LINE	539110068	1	BATTERY CABLE, NEGATIVE (NOT SHOWN)	
25	539990717	11	NUT, 5/16, NYLOC	539107616	1	BATTERY CABLE, POSITIVE (NOT SHOWN)	
26	539990585	1	NUT, 5/16C	56	539110675	1	SPRING BRACKET (NOT SHOWN)
27	539101331	1	NUT, 1/2C, NYLOC	57	539110674	6	SCREW, 10-12 X 1 1/4
28	539990546	3	NUT, 3/8C, CENTER LOCK	58	539976952	10	SCREW, 10-24 X 5/8 SPEC.
29	539976978	4	NUT, 1/4C, NYLOC	59	539110294	2	WAVE WASHER
30	539110311	1	IDLER PULLEY, HYDRO'S	60	539107360	4	LOCKWASHER, #10
31	539990655	1	HCS, 3/8-16 X 1 1/2,	61	539110860	2	BRACKET
32	539976937	2	HCS, 5/16-18 X 2,	62	539976934	2	HCS, 5/16-18 X 3/4
33	539101332	1	HCS, 1/2-13 X 2 3/4,	63	539976856	1	WIRE TIE
				64	539110863	1	MOUNTING BLOCK, CABLE TIE

ENGINE ASSEMBLY (15 & 17.5 HP)

BRIGGS & STRATTON



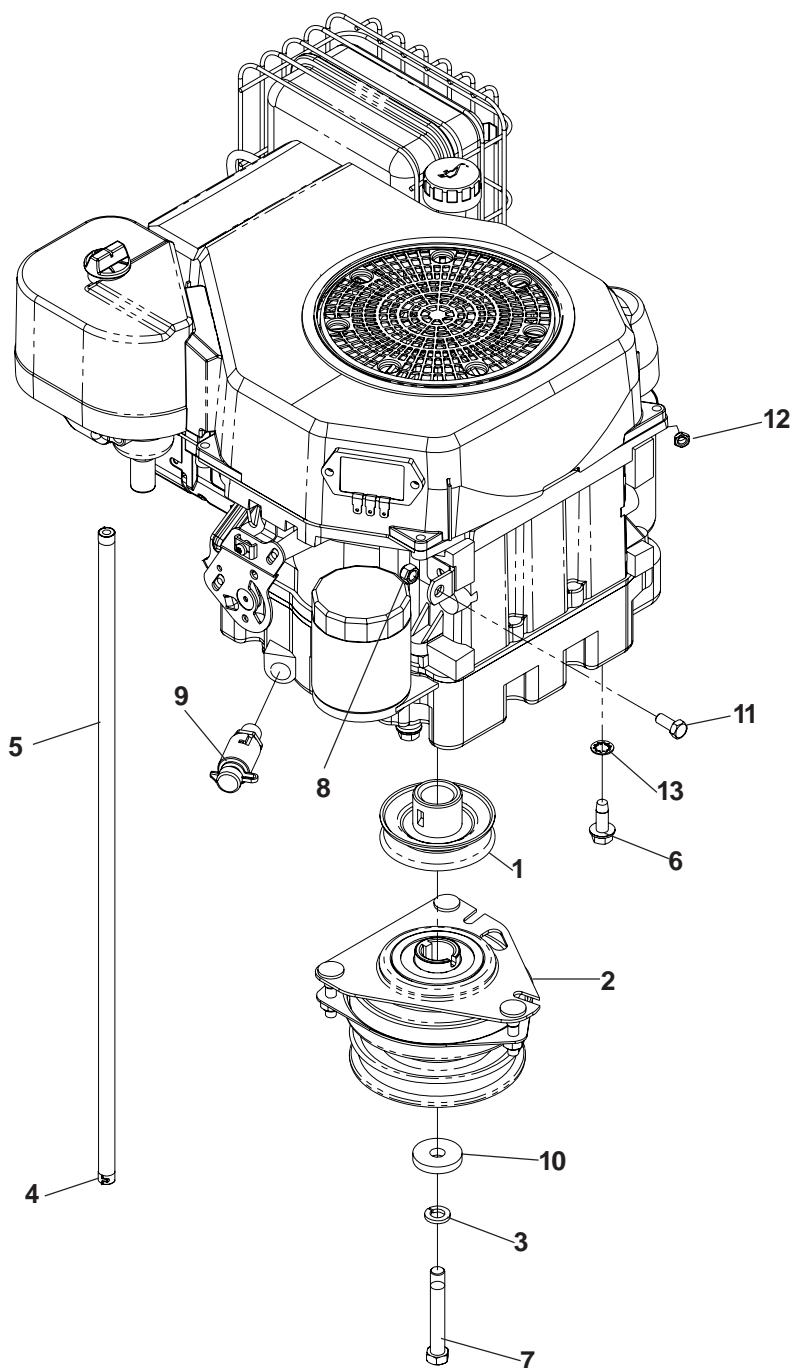
ENGINE ASSEMBLY (15 & 17.5 HP)

BRIGGS & STRATTON

ITEM	PART NO.	QTY.	DESCRIPTION
1	539110423	1	PULLEY, ENGINE, BRIGGS
2	539110417	1	CLUTCH
3	539990247	1	LOCKWASHER, 7/16
4	539912222	2	CLAMP, HOSE
5	539110425	1	FUEL LINE, 5"
6	539107476	3	BOLT, 3/8-16 X 1, THREAD FORMING
7	539923388	1	HCS, 7/16-20 X 3
8	539110025	1	BOLT, 3/8-16 X 1 1/2, THREAD FORMING
9	539990546	1	NUT, 3/8C, CENTER LOCK
10	539110093	1	PLUG, EZ OIL DRAIN
11	539110064	1	CLUTCH WASHER
12	539108120	1	NUT, 1/4C, THIN NYLOC
13	539108266	1	WASHER, 3/8, INTERNAL TOOTH

ENGINE ASSEMBLY (17 HP)

KOHLER

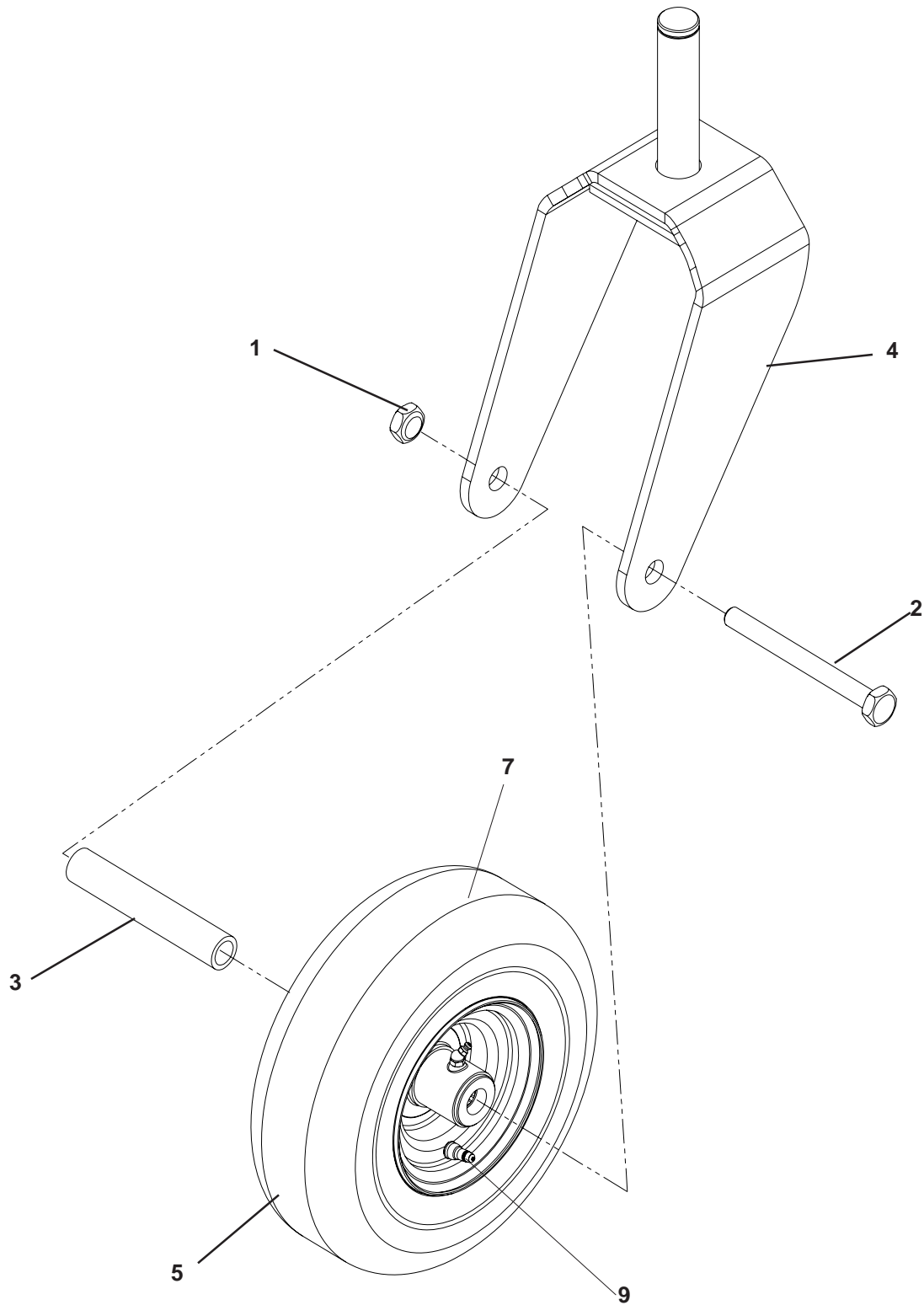


ENGINE ASSEMBLY (17 HP)

KOHLER

ITEM	PART NO.	QTY.	DESCRIPTION
1	539110423	1	PULLEY, ENGINE, KOHLER, COMMAND
2	539110417	1	CLUTCH
3	539990247	1	LOCKWASHER, 7/16
4	539912222	2	CLAMP, HOSE
5	539110424	1	FUEL LINE, 24"
6	539107476	4	BOLT, 3/8-16 X 1, THREAD FORMING
7	539923388	1	HCS, 7/16-20 X 3
8	539990717	1	NUT, 5/16, NYLOC
9	539110093	1	PLUG, EZ OIL DRAIN
10	539110064	1	CLUTCH WASHER
11	539990206	1	HCS, 5/16-18 X 3/4
12	539108120	1	NUT, 1/4C, THIN NYLOC
13	539108266	1	WASHER, 3/8, INTERNAL TOOTH

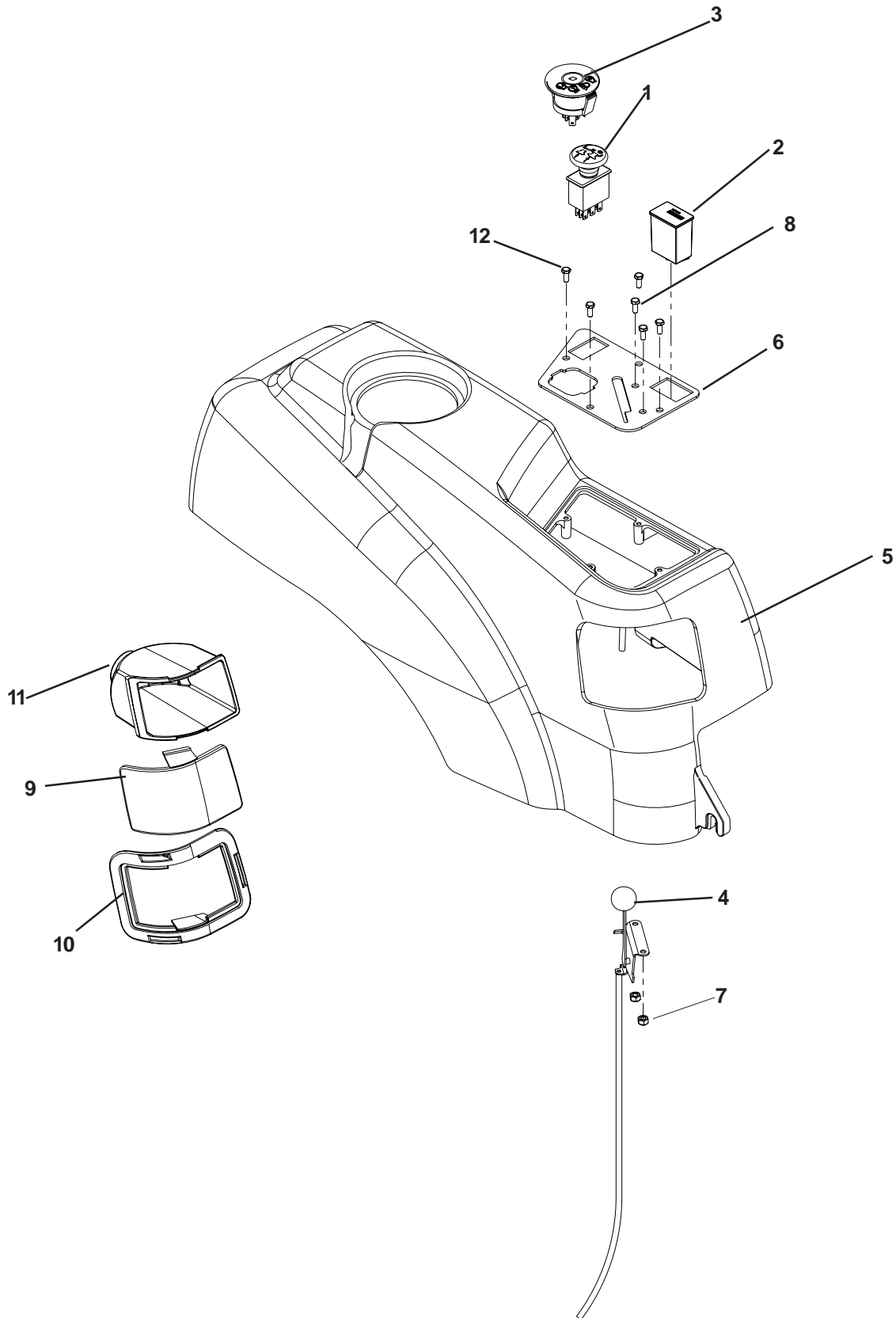
CASTER ASSEMBLY



CASTER ASSEMBLY

ITEM	PART NO.	QTY.	DESCRIPTION
1	539101331	1	NUT, 1/2-13, HEX NYLOC RING
2	539101907	1	HCS 1/2-13 X 5 1/2
3	539105543	1	SPACER
4	539107494	1	CASTER
5	539110333	1	TIRE, COMPLETE
7	539106995	1	TIRE
9	539912234	1	VALVE STEM

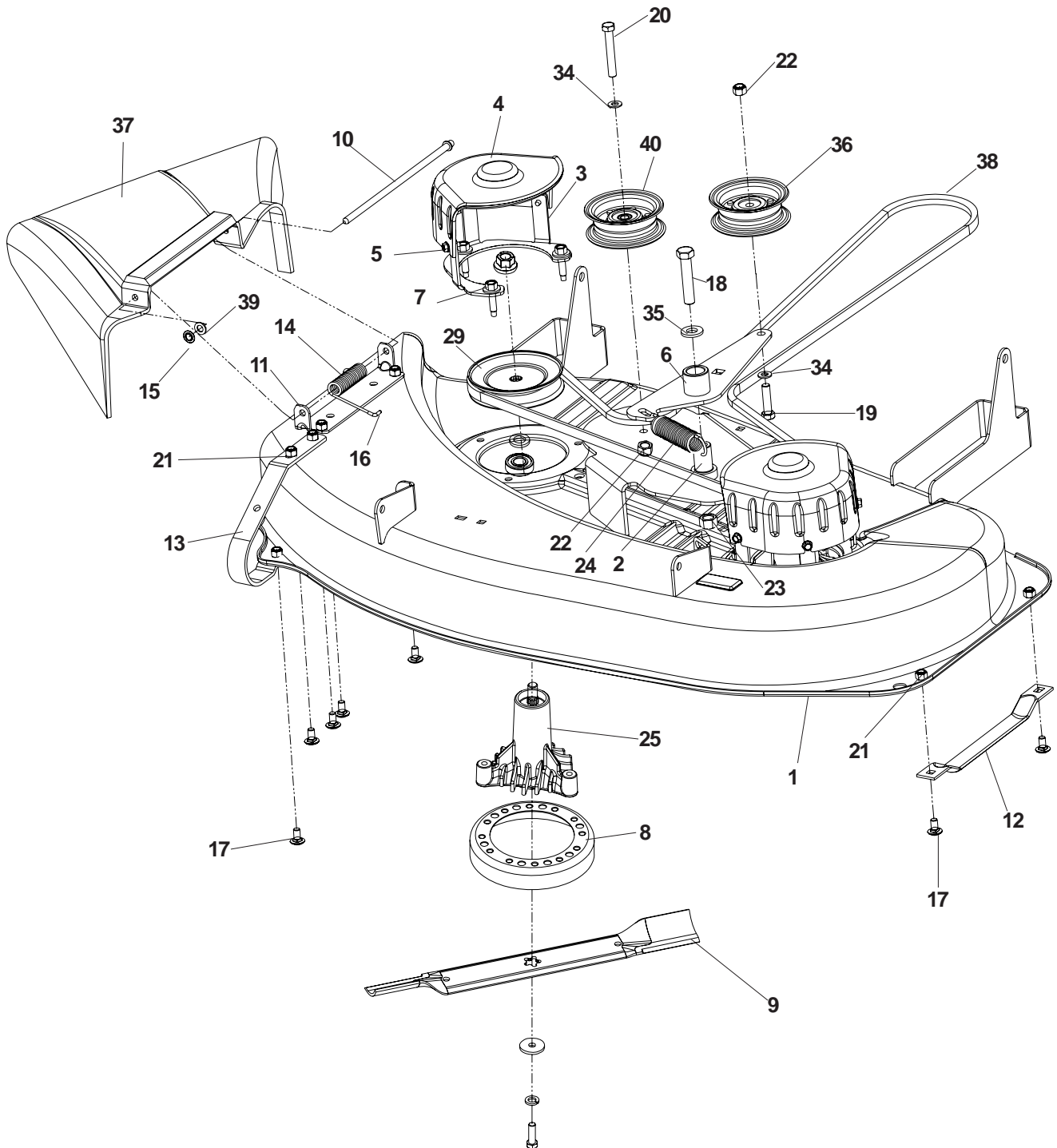
CONSOLE ASSEMBLY



CONSOLE ASSEMBLY

ITEM	PART NO.	QTY.	DESCRIPTION
1	539101768	1	SWITCH
2	539102540	1	HOURMETER
3	539107541	1	IGNITION SWITCH
	539107544	1	KEY (NOT SHOWN)
4	539107583	1	THROTTLE CABLE
5	539110250	1	FENDER, CONSOLE
6	539110305	1	CONSOLE PLATE
7	539976977	2	NUT, #10-24, HEX NYLON RING
8	539110673	2	SCREW #10-24 X 1/2
9	539110056	1	LENS, COLORED, LEFT (STD. ON 38")
	539110057	1	LENS, COLORED, RIGHT (STD. ON 38")
	539110457	1	HEADLIGHT LENS, LEFT
	539110453	1	HEADLIGHT LENS, RIGHT
10	539110451	1	RIM, HEADLIGHT, RIGHT
	539110455	1	RIM, HEADLIGHT, LEFT
11	539110456	1	HEADLIGHT REFLECTOR, LEFT (OPT. ON 38")
	539110452	1	HEADLIGHT REFLECTOR, RIGHT (OPT. ON 38")
12	539110673	4	SCREW #10 - 12 X 3/4
	539110471	1	HEADLIGHT HARNESS (NOT SHOWN)

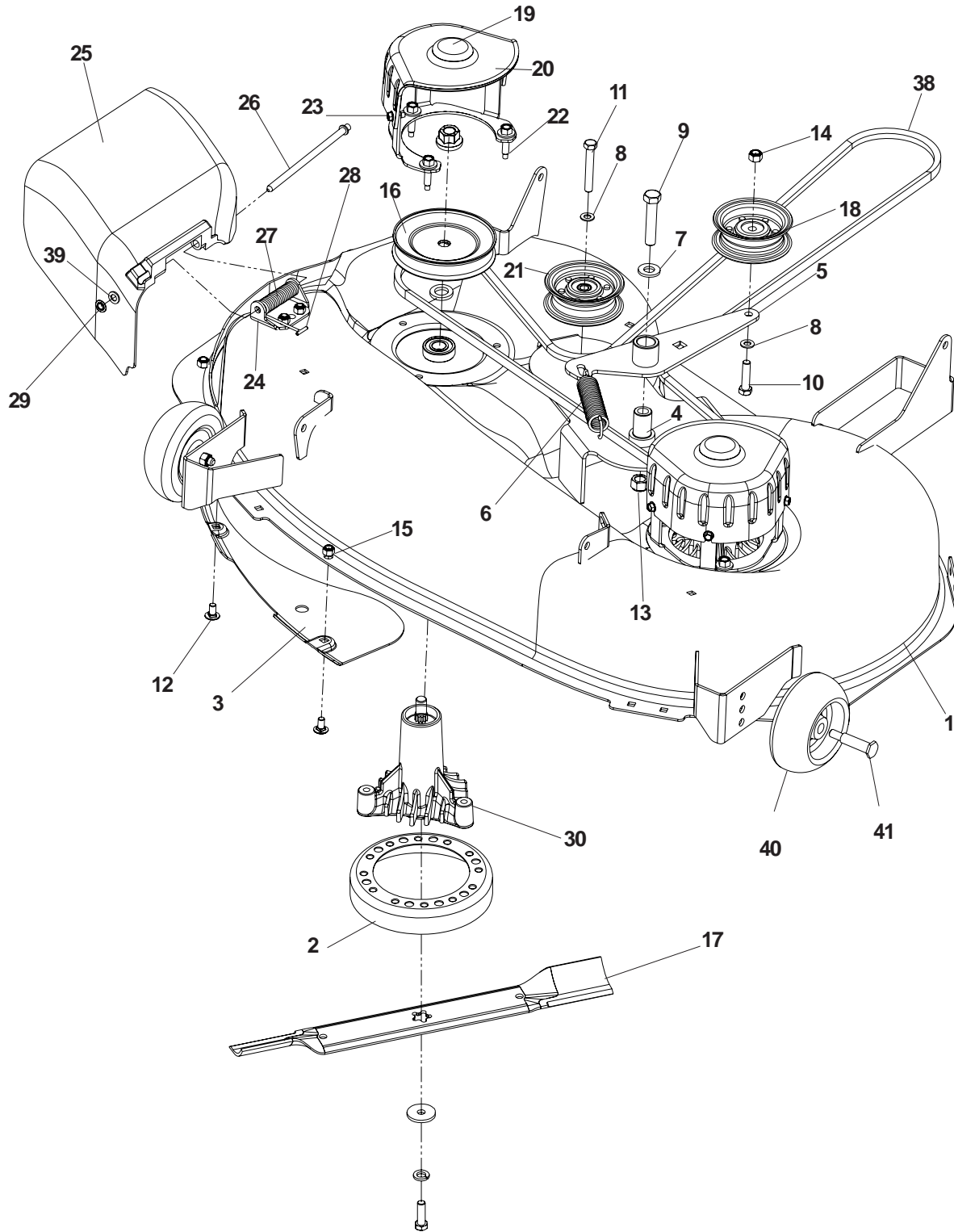
38" DECK ASSEMBLY



38" DECK ASSEMBLY

ITEM	PART NO.	QTY.	DESCRIPTION
1	539110527	1	DECK W/DECAL, 38"
2	539101231	1	IDLER SPINDLE
3	539110076	2	SPINDLE COVER ANCHOR
4	539110075	2	SPINDLE COVER
5	539990362	6	SCREW, 1/4C X 5/8, SELF TAPPING
6	539110217	1	DECK IDLER ARM
7	539107630	6	SCREW, WASHER HEAD
8	539107518	2	STRIPPER, ROUND, UNIVERSAL
9	539110324	2	BLADE, 38", MULCHING
10	539110327	1	ROD, HINGE
11	539110473	1	BRACKET, MOWER DEFLECTOR
12	539110313	1	RUNNER, LEFT
13	539110314	1	RUNNER, RIGHT
14	539110328	1	SPRING, TORSION, DEFLECTOR
15	539107626	1	PUSHNUT
16	539107627	1	CAP-SLEEVE
17	539990799	7	RHSNB 5/16-18 X 5/8, GR5
18	539101332	1	HCS 1/2-13 X 2 3/4, GR5
19	539990655	1	HCS 3/8-16 X 1 1/2, GR5
20	539990637	1	HCS 3/8-16 X 2 1/2, GR5
21	539990717	7	NUT, 5/16C, NYLOC
22	539976979	2	NUT, 3/8C, NYLOC
23	539101331	1	NUT, 1/2C, NYLOC
24	539101977	1	TRACTION SPRING
25	539110158	2	HOUSING, MANDREL, ASSY.
29	539110315	2	PULLEY, MANDREL
34	539990122	2	WASHER, 3/8, SAE
35	539990250	1	WASHER, 1/2, SAE
36	539110316	1	PULLEY, DECK IDLER
37	539110326	1	SHIELD DEFLECTOR
38	539110413	1	BELT, 38" DECK
39	539110331	1	WASHER, 11/32 X 5/8 X 16GA
40	539110080	1	PULLEY, IDLER
	539110081	1	BEARING INSERT (NOT SHOWN)

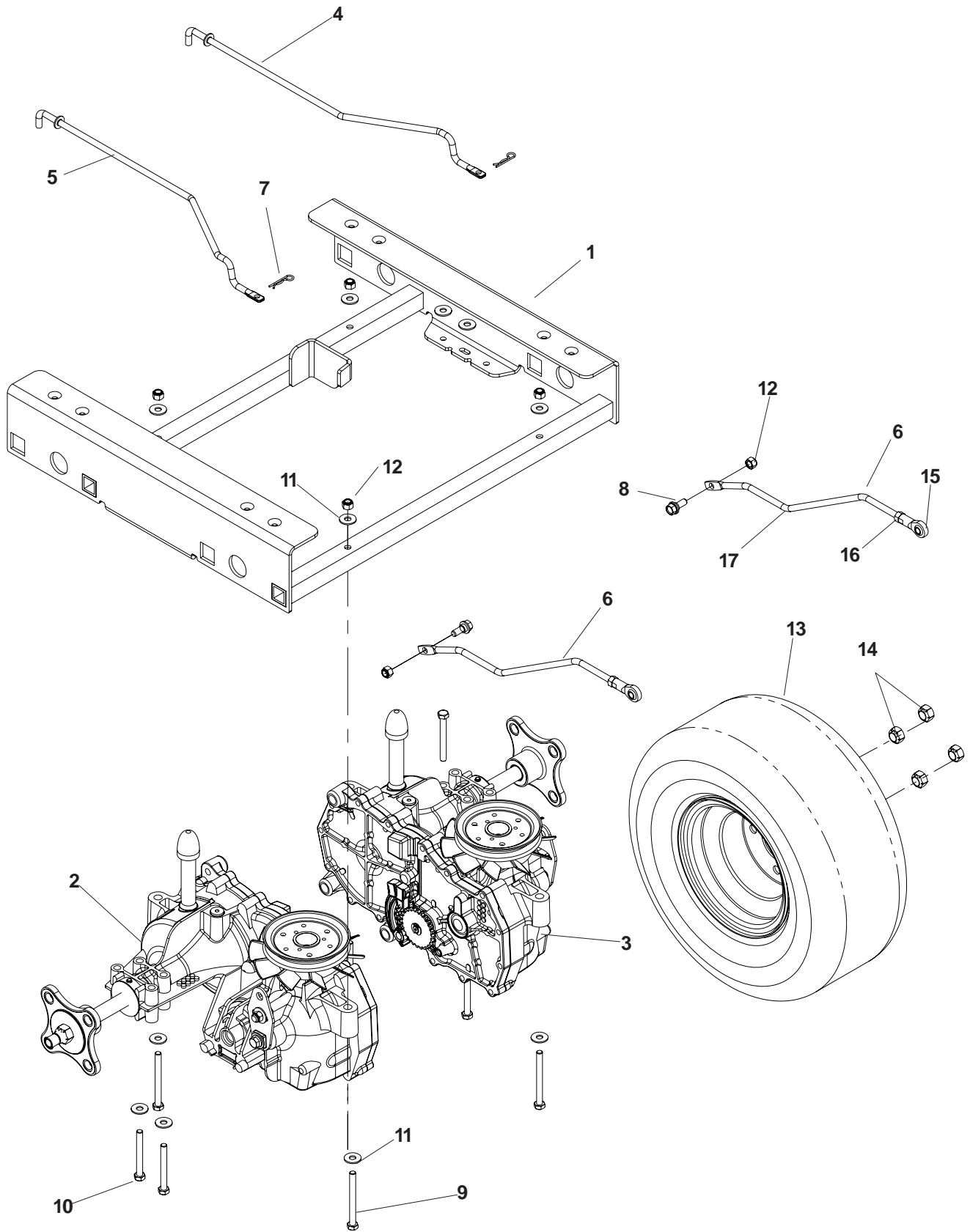
42" DECK ASSEMBLY



42" DECK ASSEMBLY

ITEM	PART NO.	QTY.	DESCRIPTION
1	539110528	1	DECK W/DECAL, 42"
2	539107518	2	STRIPPER, ROUND
3	539110463	1	BAFFLE, VORTEX 42"
4	539101231	1	IDLER SPINDLE
5	539110217	1	DECK IDLER ARM
6	539101977	1	TRACTION SPRING
7	539990250	1	WASHER, 1/2 SAE
8	539990122	2	WASHER, 3/8 SAE
9	539101332	1	HCS, 1/2-13 X 2 3/4, GR5
10	539990655	1	HCS, 3/8-16 X 1 1/2, GR5
11	539990637	1	HCS, 3/8-16 X 2 1/2, GR5
12	539990799	6	RHSNB, 5/16-18 X 5/8, GR5
13	539101331	1	NUT, 1/2C, NYLOC
14	539976979	4	NUT, 3/8C, NYLOC
15	539990717	6	NUT, 5/16C, NYLOC
16	539110318	2	PULLEY, MANDREL #707
17	539110460	2	BLADE, 42"
18	539110316	1	PULLEY, DECK IDLER
19	539110075	2	SPINDLE COVER
20	539110076	2	SPINDLE COVER ANCHOR
21	539110317	1	PULLEY, IDLER
22	539107630	6	SCREW, WASHER HEAD
23	539990362	6	SCREW, 1/4C X 5/8, SELF TAPPING
24	539110472	1	BRACKET, DEFLECTOR, MOWER 42"
25	539110461	1	SHIELD, 42"
26	539110462	1	ROD, HINGE
27	539110328	1	SPRING, TORSION, DEFLECTOR
28	539107627	1	CAP-SLEEVE
29	539107626	1	PUSHNUT
30	539110158	2	HOUSING, MANDREL, ASSY.
38	539110410	1	BELT, 42" DECK
39	539110331	1	WASHER, 11/32 X 5/8 X 16GA
40	539110289	2	WHEEL, GAUGE
41	539110222	2	BOLT, SHOULDER

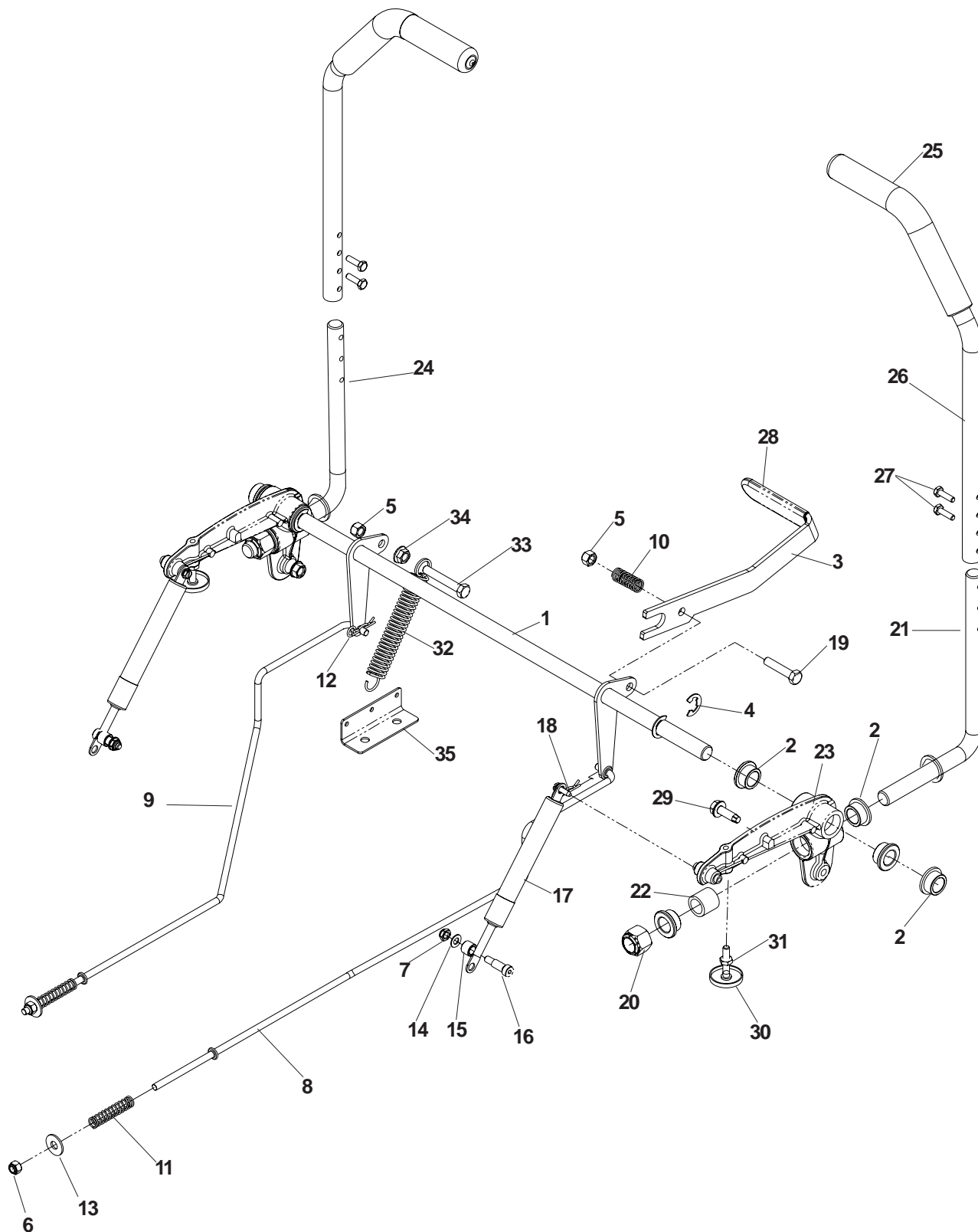
EZT



EZT

ITEM	PART NO.	QTY.	DESCRIPTION
1	539110016	1	SUB FRAME
2	539110421	1	EZT, RIGHT
3	539110422	1	EZT, LEFT
4	539110270	1	BYPASS LINKAGE, LEFT
5	539110271	1	BYPASS LINKAGE, RIGHT
6	539110273	2	MOTION ROD (COMPLETE)
7	539976988	2	HAIRPIN COTTER
8	539110303	2	BOLT, 5/16, SHOULDER
9	539101520	4	HCS, 5/16-18 X 3 1/4, GR5
10	539101721	4	HCS, 5/16-18 X 2 3/4, GR5
11	539990692	16	WASHER, 5/16
12	539990717	10	NUT, 5/16, NYLOC
13	539110253	2	TIRE ASSEMBLY, 38"
	539110470	2	TIRE ASSEMBLY, 42"
	539912234	1	VALVE STEM
14	539101173	4	NUTS, LUG
15	539102590	1	BALL END, R.H.
16	539990223	1	NUT, 5/16F
17	539110274	1	MOTION ROD

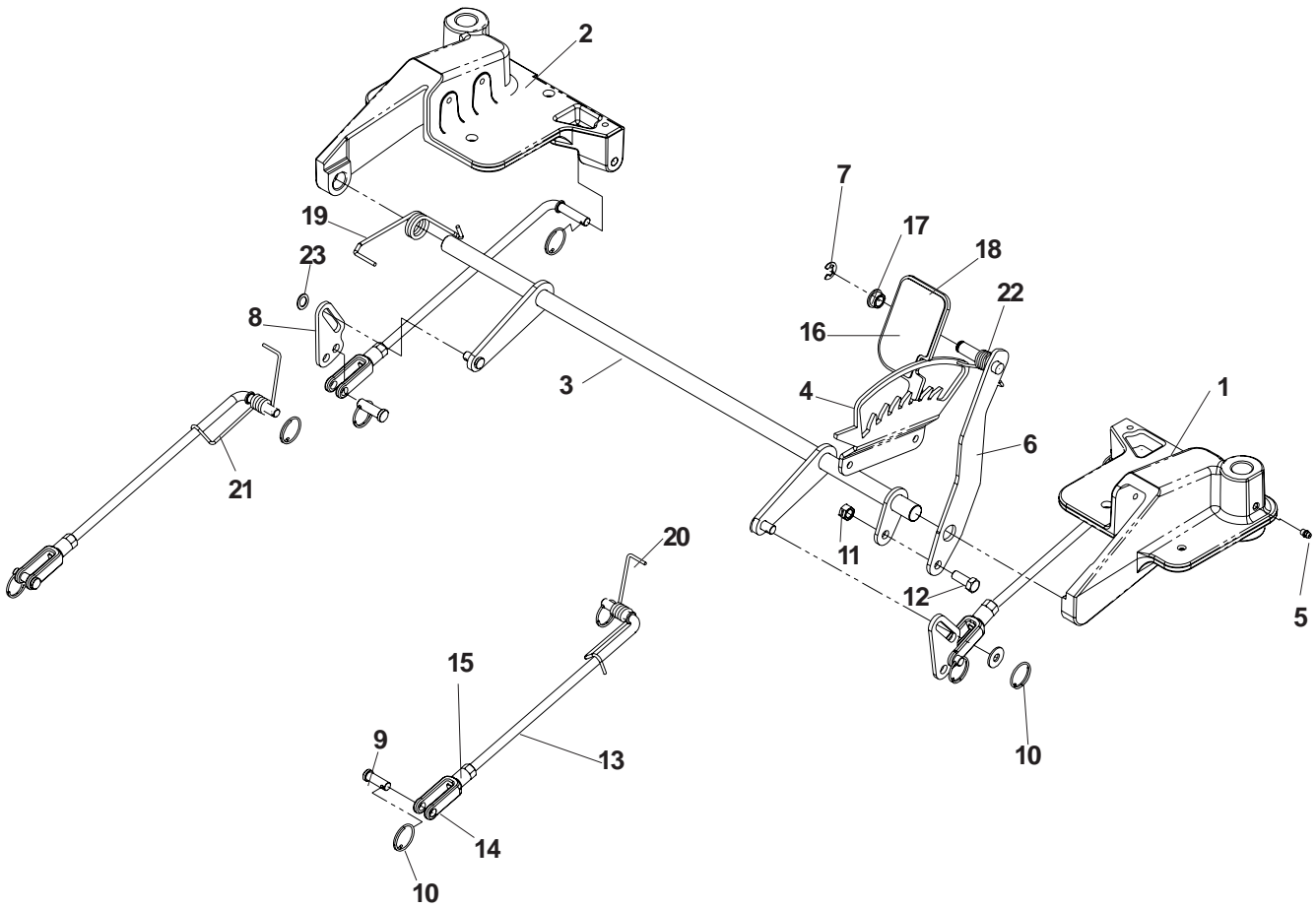
MOTION CONTROL



MOTION CONTROL

ITEM	PART NO.	QTY.	DESCRIPTION
1	539110142	1	SHAFT, MOTION, BRAKE ASS'Y
2	539110146	10	MOTION BUSHING
3	539110282	1	UPPER BRAKE LEVER
4	539105069	2	E-RING, 5/8
5	539990717	2	NUT, 5/16, NYLOC
6	539976978	2	NUT, 1/4C, NYLOC
7	539108120	2	NUT, 1/4C, THIN NYLOC
8	539110268	1	BRAKE ROD, RIGHT
9	539110269	1	BRAKE ROD, LEFT
10	539110477	1	SPRING, BRAKE LEVER
11	539110342	2	SPRING, ROD BRAKE
12	539976988	2	HAIRPIN COTTER
13	539990692	2	WASHER, 5/16
14	539103547	2	WASHER, 1/4
15	539102827	2	SPACER, PULLEY
16	539102828	2	BOLT, 5/16 X 5/8, SHOULDER
17	539108793	2	DAMPENER
18	539991034	2	SCREW, 10-24 X 5/8, WASHER
19	539976935	1	HCS 5/16-18 X 1 1/2, GR5
20	539110340	2	NUT, 5/8-11C, NYLOC
21	539110236	1	MOTION ARM, RIGHT
22	539110430	2	BUSHING, ELASTIMER
23	539110145	2	MOTION CASTING
24	539110233	1	MOTION ARM, LEFT
25	539110337	2	GRIP, CONTROL LEVER
26	539110338	2	CONTROL LEVER
27	539990643	4	HCS 1/4-20 X 7/8, GR5
28	539110478	1	GRIP, PARK BRAKE
29	539108460	2	BOLT, 5/16-18 X 1 1/4, THREAD FORM
30	539110021	2	POST, NEUTRAL RETURN
31	539991112	2	NUT, 1/4-20, JAM
32	539916159	1	SPRING
33	539976937	1	HCS 5/16-18 X 2 GR5
34	539990585	1	NUT, 5/16-18 HFLN
35	539110675	1	SPRING BRACKET

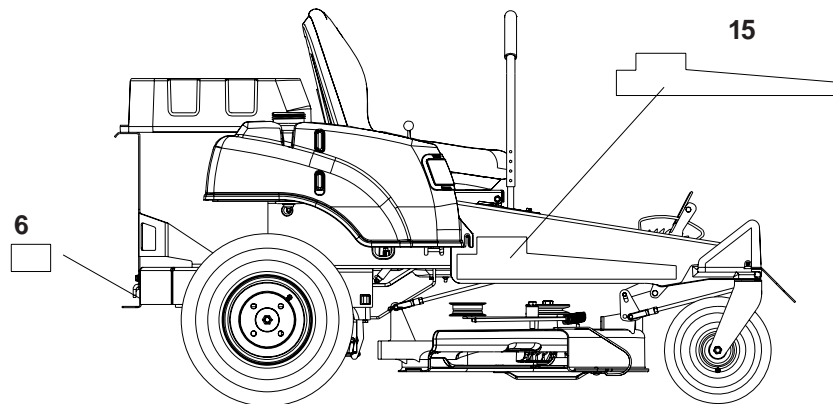
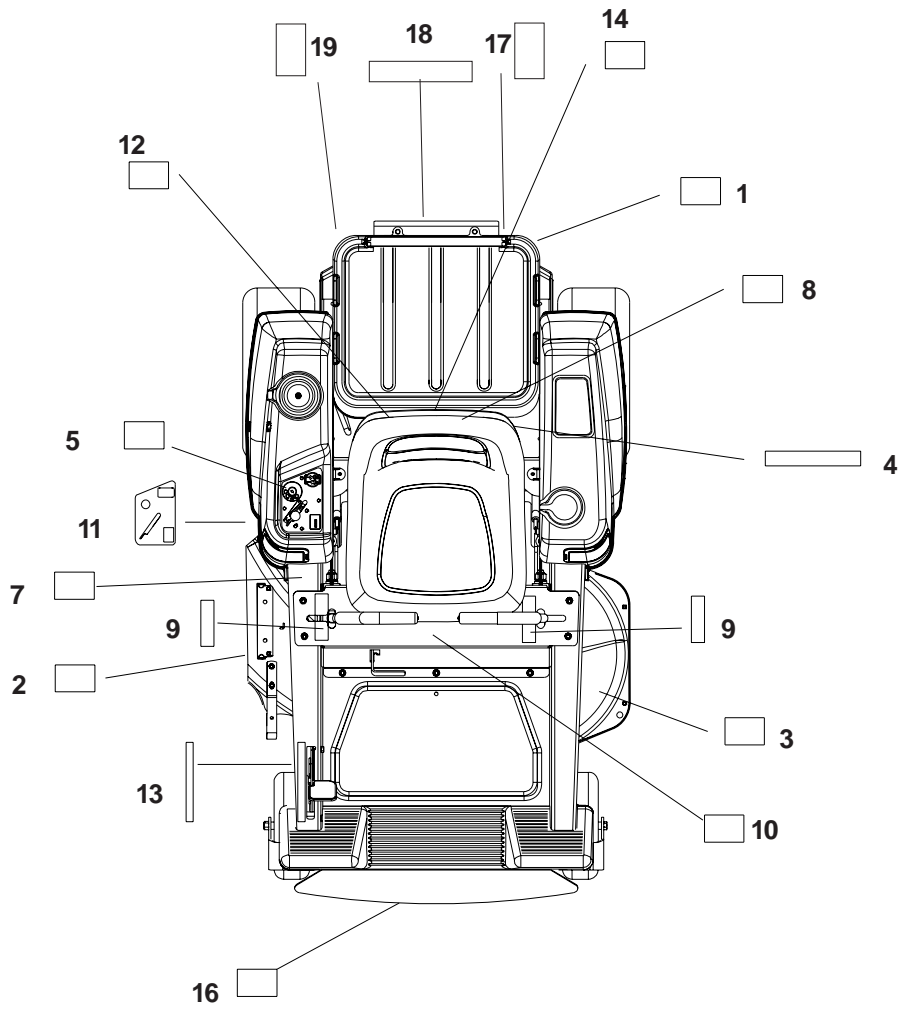
DECK LIFT



DECK LIFT

ITEM	PART NO.	QTY.	DESCRIPTION
1	539110287	1	STEERING CASTER, RIGHT
2	539110288	1	STEERING CASTER, LEFT
3	539110205	1	DECK LIFTER
4	539110200	1	DECK HEIGHT ADJUSTOR
5	539101474	2	ZERK
6	539110266	1	FOOTLEVER
7	539101949	1	E-RING, 1/2"
8	539110293	2	DECK LIFT CONNECTOR
9	539977703	4	CLEVIS PIN
10	539916459	10	RETAINER, RING
11	539990546	1	NUT, 3/8C, CENTER LOCK
12	539106791	1	HCS 3/8-16 X 1, GR8
13	539110306	4	DECK ROD
14	539977465	4	YOKE, 3/8F
15	539990155	4	NUT, 3/8F
16	539110308	1	FOOT PAD, NON-SLIP
17	539100032	2	BUSHING, NYLON FLANGED
18	539110292	1	FOOT PEDAL
19	539110071	1	TORSION SPRING, DECK LIFT
20	539110160	1	SPRING, DECK ROD, RIGHT
21	539110161	1	SPRING, DECK ROD, LEFT
22	539110295	1	SPRING, PEDAL, LIFT
23	539990692	2	WASHER, 5/16

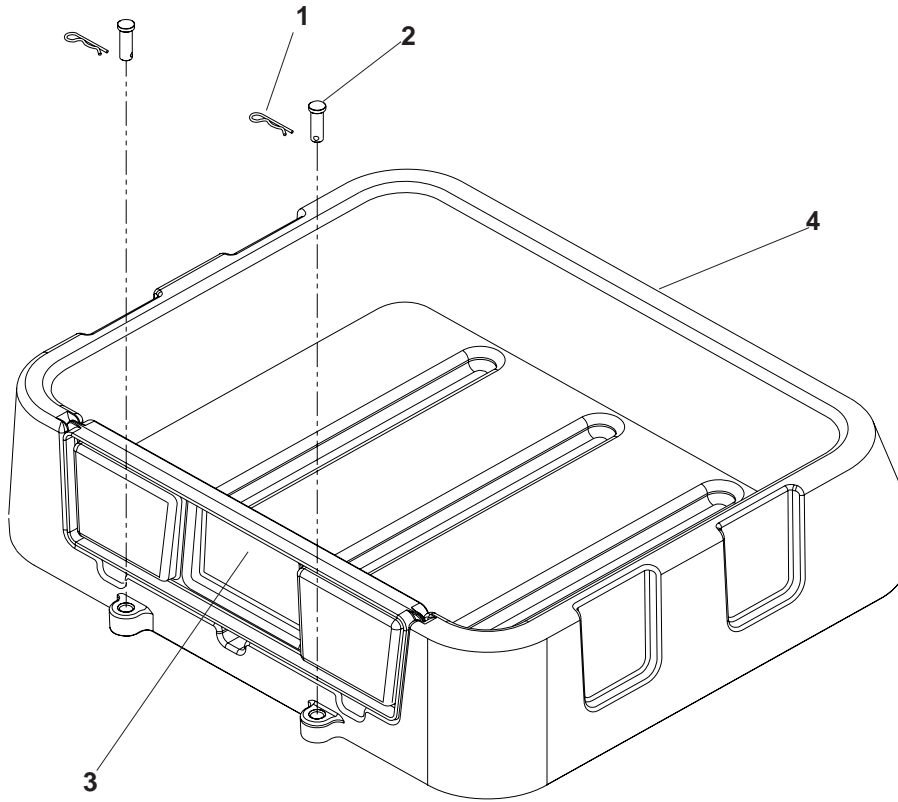
DECALS



DECALS

ITEM	PART NO.	QTY.	DESCRIPTION
1	539101881	1	DECAL, PROP 65
2	539913010	1	DECAL, WARNING
3	539105744	1	DECAL, EURO DANGER BELT
4	539105745	1	DECAL, EURO BATTERY WARNING
5	539108179	1	DECAL, START
6	539108385	1	DECAL, DO NOT TOW
7	539108386	1	DECAL, EXITING MOWER
8	539109897	1	DECAL, SERVICE
9	539109898	2	DECAL, MOTION CONTROL
10	539109908	1	DECAL, SAFETY WARNING
11	539110077	1	DECAL, IGNITION CONSOLE
12	539110332	1	DECAL, BELT
13	539110476	1	DECAL, CUTTING HEIGHT
14	539110522	1	DECAL, CUSTOMER RESPONSIBILITY
15	539111123	1	DECAL, MODEL Z38, RIGHT
	539111124	1	DECAL, MODEL Z38, LEFT
	539111126	1	DECAL, MODEL Z42, LEFT
	539111125	1	DECAL, MODEL Z42, RIGHT
16	539111047	1	DECAL, HUSQVARNA 12"
17	539109927	1	DECAL, UTILITY BOX WARNING
18	539109928	1	DECAL, UTILITY BOX PAYLOAD
19	539109929	1	DECAL, PAYLOAD/GASOLINE

UTILITY BOX



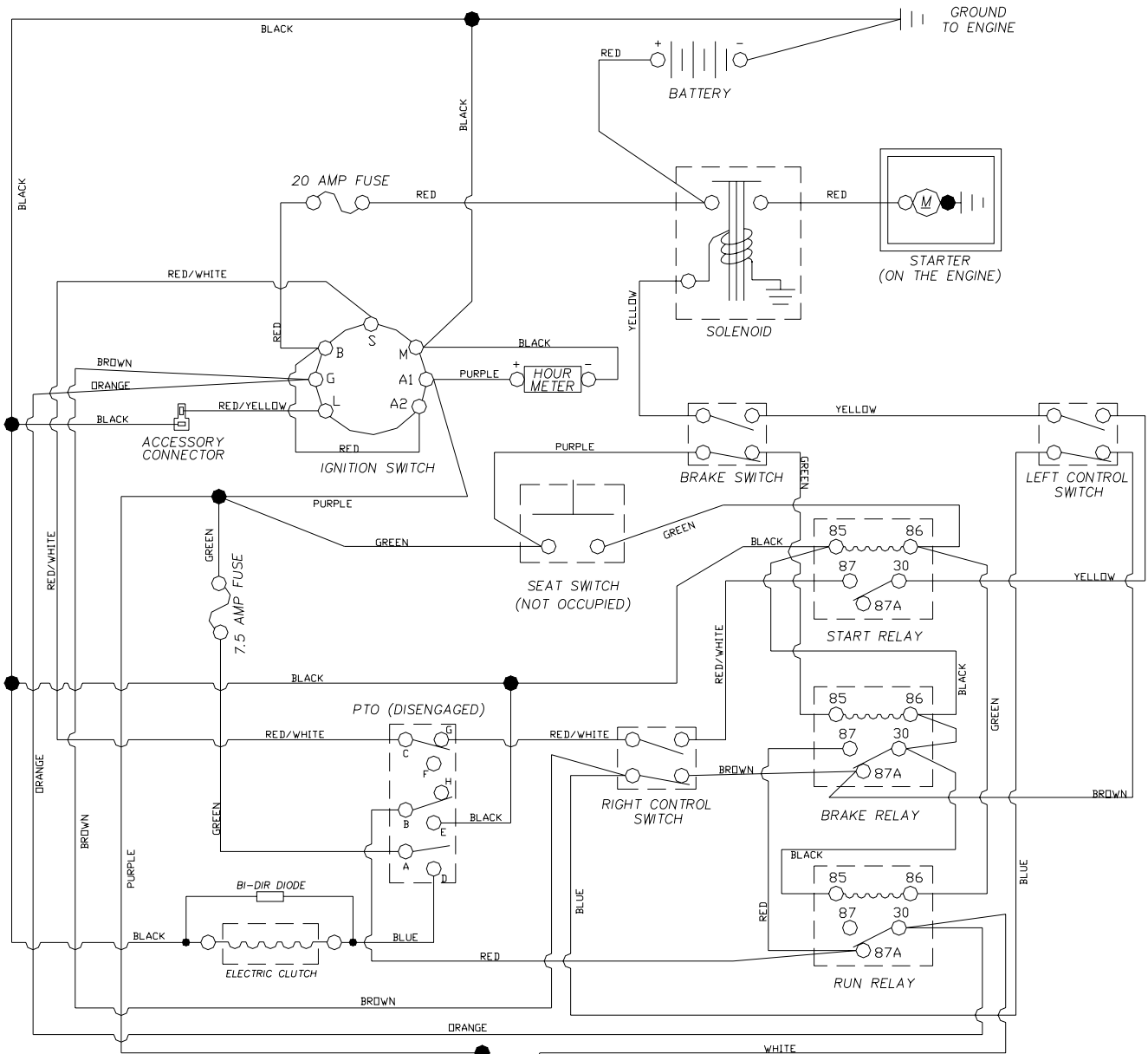
ITEM	PART NO.	QTY.	DESCRIPTION
------	----------	------	-------------

1	539976988	4	PIN, HAIR
2	539977703	4	PIN, CLEVIS
3	539110435	1	TAILGATE
4	539110436	1	UTILITY BOX

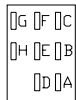
ACCESSORIES

PART NO.	QTY.	DESCRIPTION
539110163	1	COLLECTION SYSTEM (CZ38)
539110164	1	COLLECTION SYSTEM (CZ42)
539110159	1	MULCH KIT (CZ38)
539110162	1	MULCH KIT (CZ42)
539110440	1	LIGHT KIT (CZ38 & CZ42)
539110469	1	KIT, ARMREST

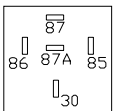
WIRING SCHEMATIC



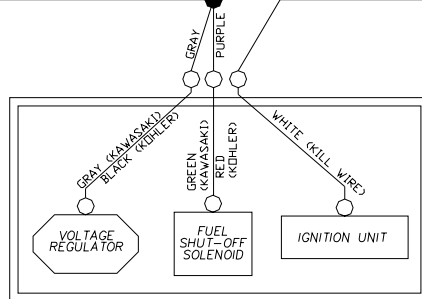
PTO SWITCH	
POSITION	CIRCUIT
OFF	C + G, B + H
ON	C + F, B + E, A + D



PTO



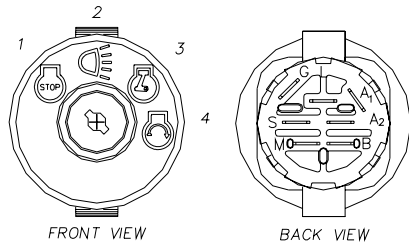
RELAY



ENGINE
(REFER TO ENGINE MANUAL FOR MORE DETAIL)

NON-REMOVABLE CONNECTIONS

REMOVABLE CONNECTIONS



FRONT VIEW

BACK VIEW

IGNITION SWITCH			
POSITION	FUNCTION	CONTACT 1	CONTACT 2
1	OFF	M+G+A ₁	NONE
2	ON+ASS.	B+A ₁	L+A ₂
3	ON	B+A ₁	NONE
4	START	B+S+A ₁	NONE

 **Husqvarna**