

Parts manual

Models:

968999254 / iZ4217TSKAA
968999255 / iZ4817TSKAA
968999256 / iZ4821TKAA
968999257 / iZ5223TKAA
968999258 / iZ5223TKOA
968999259 / iZ6123TKAA

MODEL NUMBER _____

SERIAL NUMBER _____

DATE PURCHASED _____

DEALER ADDRESS _____

NOTES: _____

CONTENTS

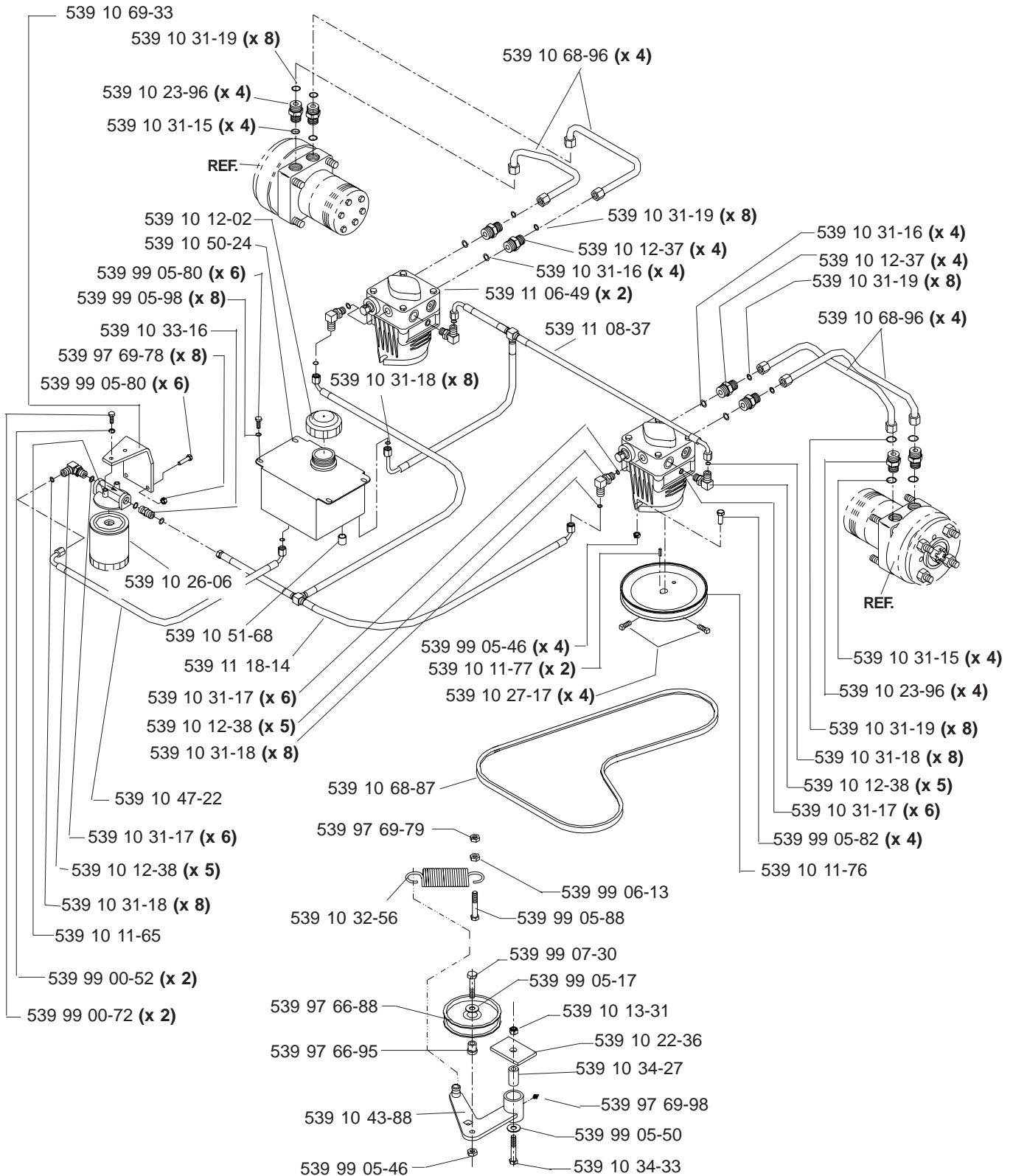
**SECTION
PAGE**

HYDRAULIC ASSEMBLY (TL)	4
MODELS: 968999256, 968999257, 968999258, 968999259	
HYDRAULIC ASSEMBLY (TE) - MODELS: 968999254, 968999255	5
FRAME ASSEMBLY	6 - 7
SEAT ASSEMBLY - MODELS: 968999256, 968999257, 968999258, 968999259	8
SEAT ASSEMBLY- MODELS: 968999254, 968999255	9
KAWASAKI ENGINE ASSEMBLY - MODELS: 968999256, 968999257, 968999259	10
KAWASAKI 17 HP ENGINE ASSEMBLY - MODELS: 968999254, 968999255	11
KOHLER ENGINE ASSEMBLY - MODEL: 968999258	12
MOTION CONTROL ASSEMBLY	13
PARK BRAKE ASSEMBLY (TL) - MODELS: 968999256, 968999257, 968999258, 968999259	14
PARK BRAKE ASSEMBLY (TE) - MODELS: 968999254, 968999255	15
CASTER ARM MODELS: 968999254, 968999255, 968999256, 968999257, 968999258	16
CASTER ARM MODEL: 968999259	17
42" DECK ASSEMBLY	18 - 19
48" DECK ASSEMBLY	20 - 21
52" DECK ASSEMBLY	22 - 23
61" DECK ASSEMBLY	24 - 25
DECK LIFT ASSEMBLY	26
WIRING ASSEMBLIES	27
DECAL ASSEMBLY	28
LIFT PEDAL	29
ROPS	30
ACCESSORIES	31 - 38
WIRING DIAGRAMS	40 - 41
PARTS DESCRIPTION	42 - 50

NOTE: ALL FASTENERS ARE GRADE 5 UNLESS OTHERWISE SPECIFIED.

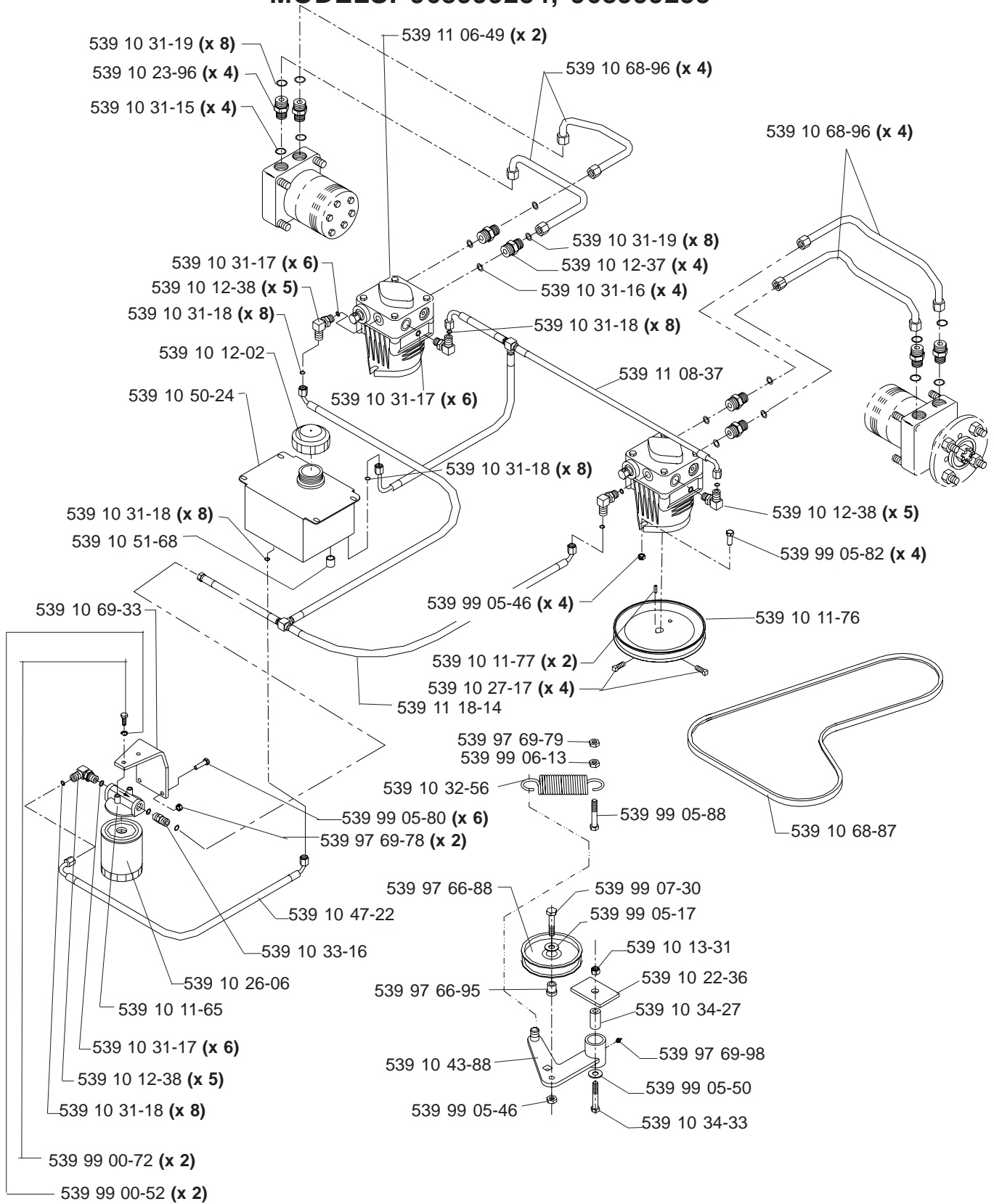
HYDRAULIC ASSEMBLY (TL)

MODELS: 968999256, 968999257, 968999258, 9689992259

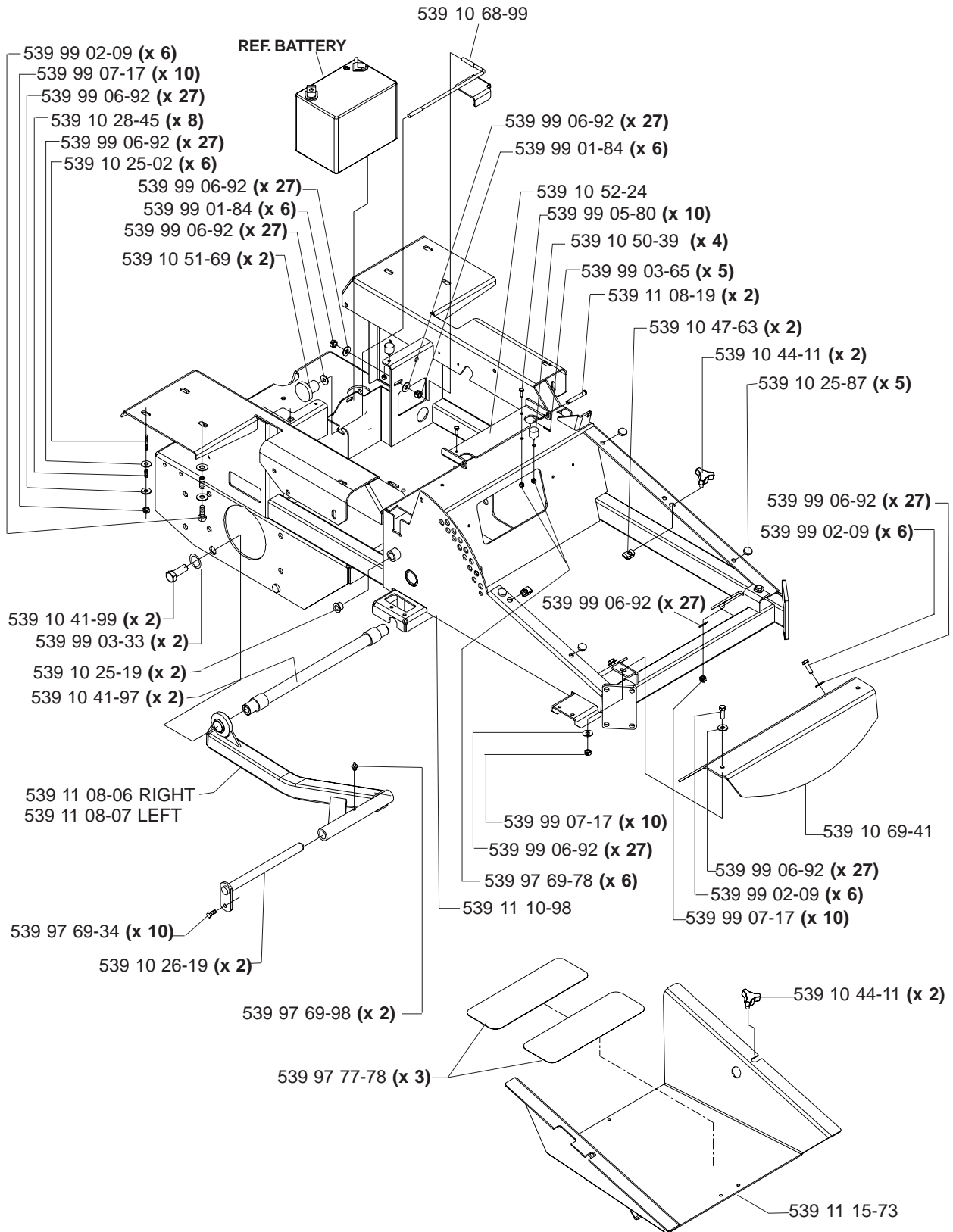


HYDRAULIC ASSEMBLY (TE)

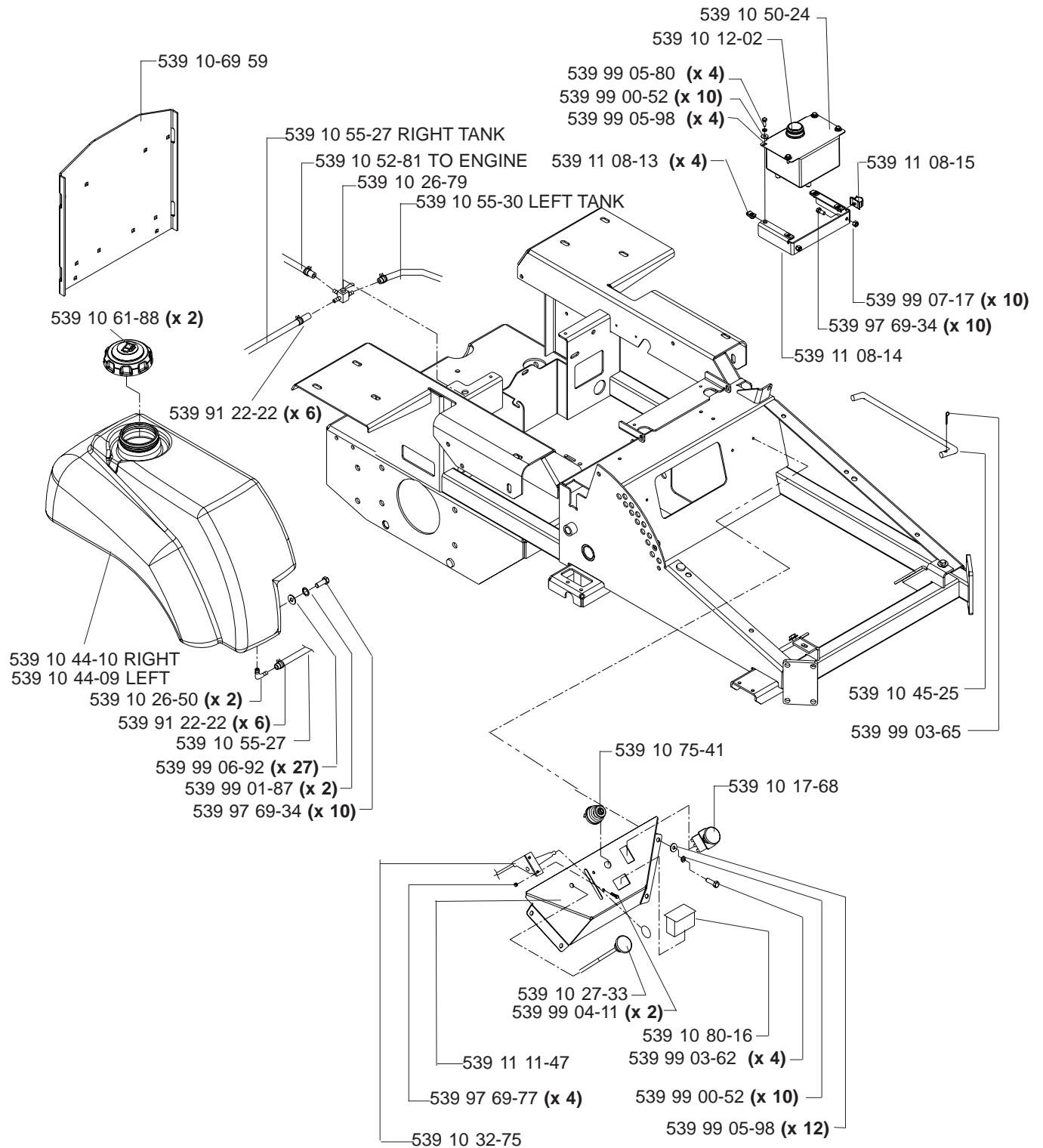
MODELS: 968999254, 968999255



MAIN FRAME ASSEMBLY

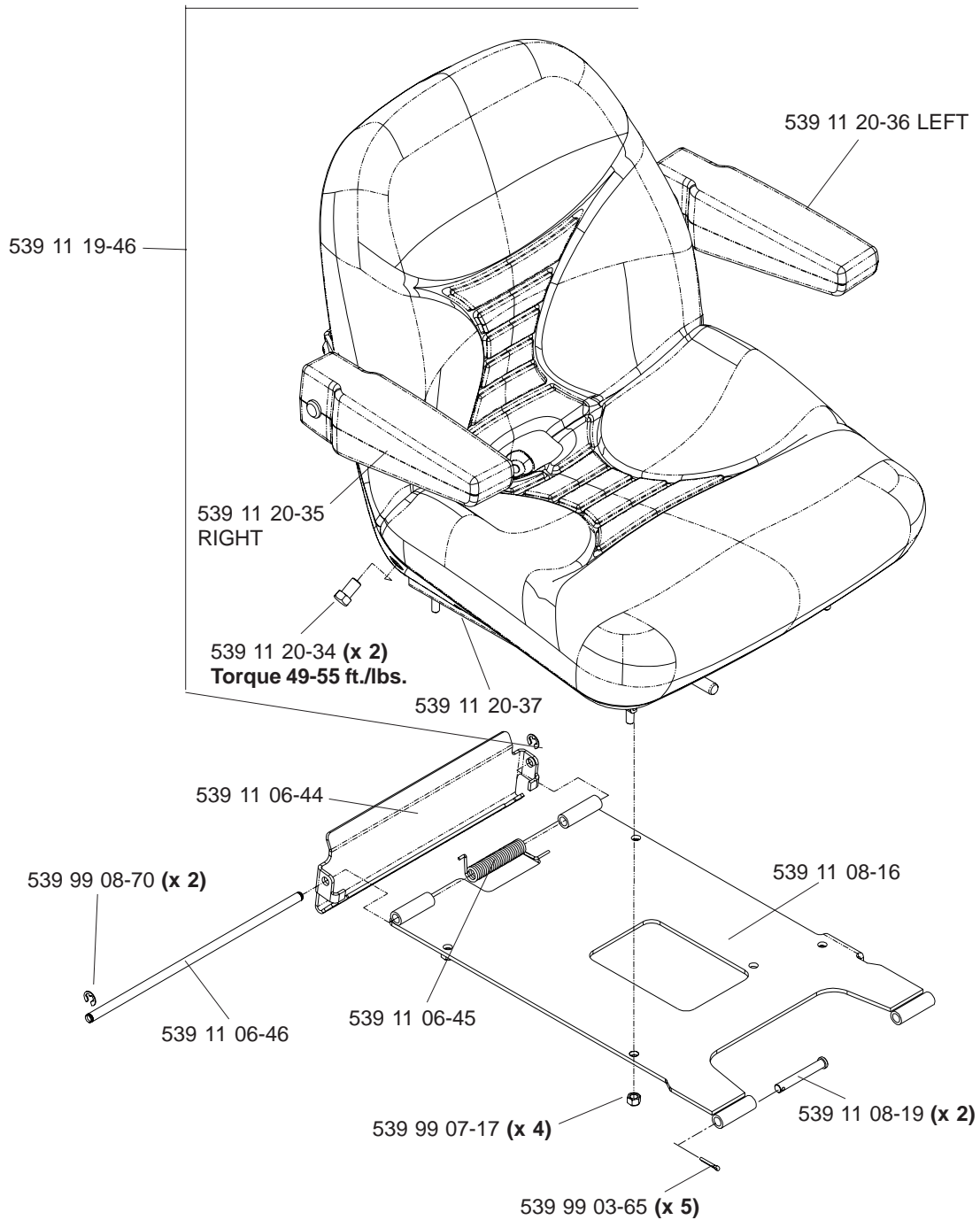


MAIN FRAME ASSEMBLY



SEAT ASSEMBLY

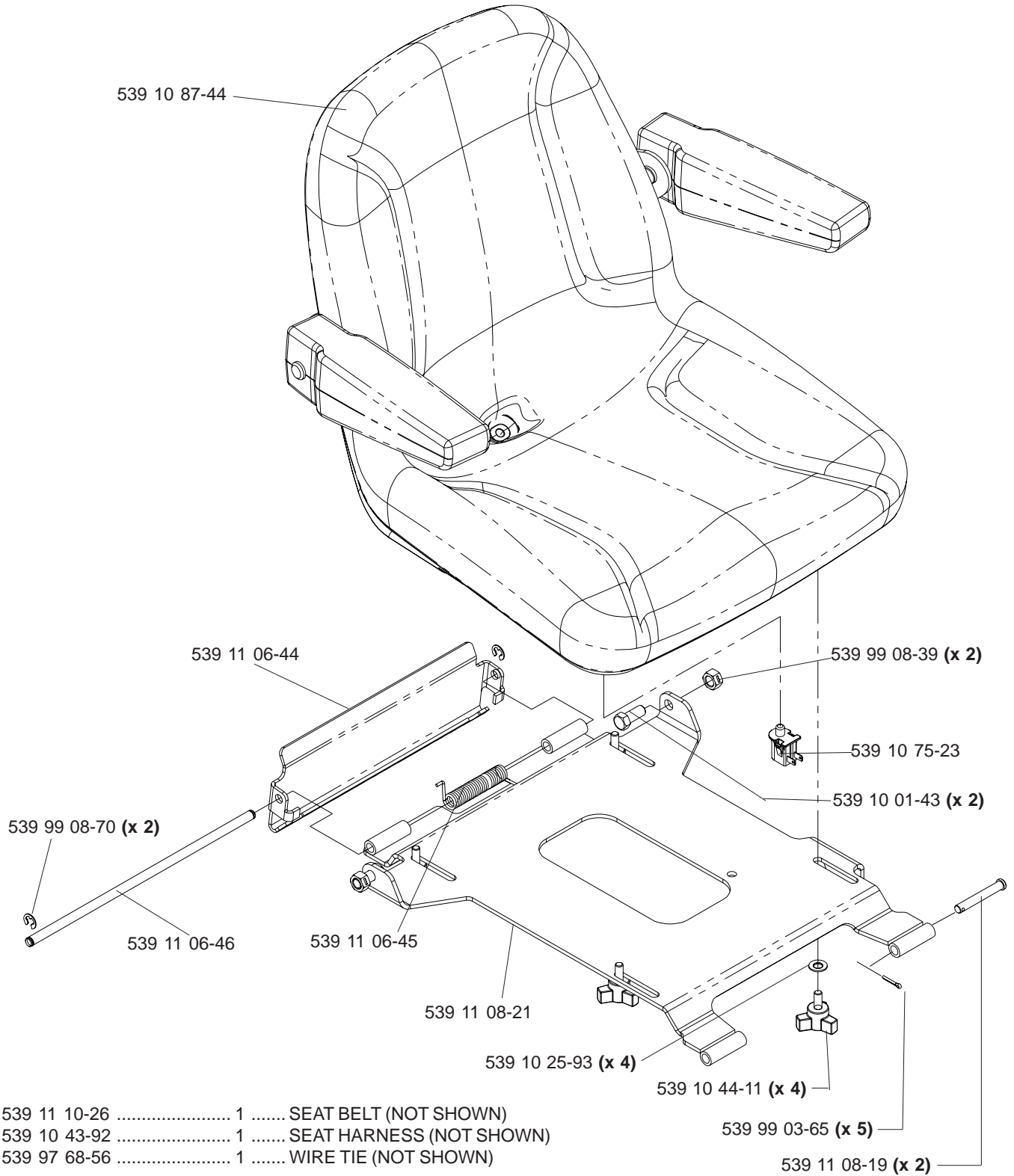
MODELS: 968999256, 968999257, 968999258, 968999259



- 539 11 10-26 1 SEAT BELT (NOT SHOWN)
- 539 10 87-45 1 SWITCH/SNAP MOUNT KIT (NOT SHOWN)
- 539 11 14-34 1 BACK, HARD PLASTIC PREM SEAT (NOT SHOWN)

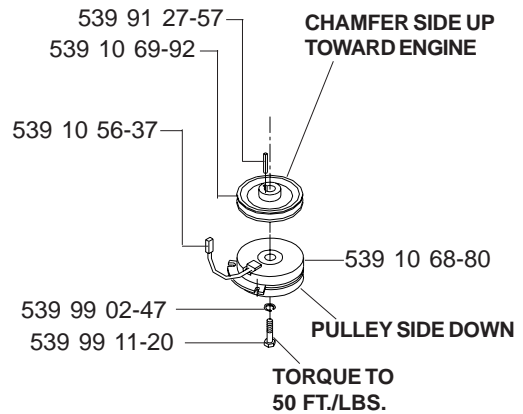
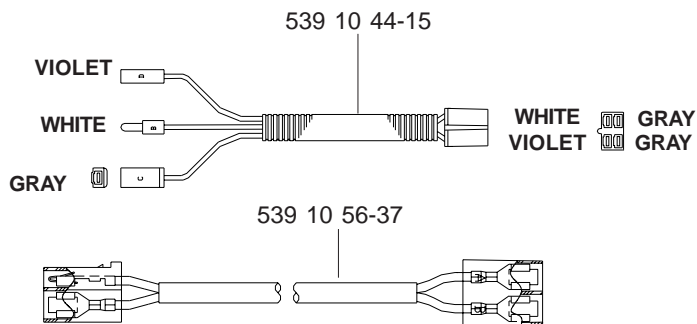
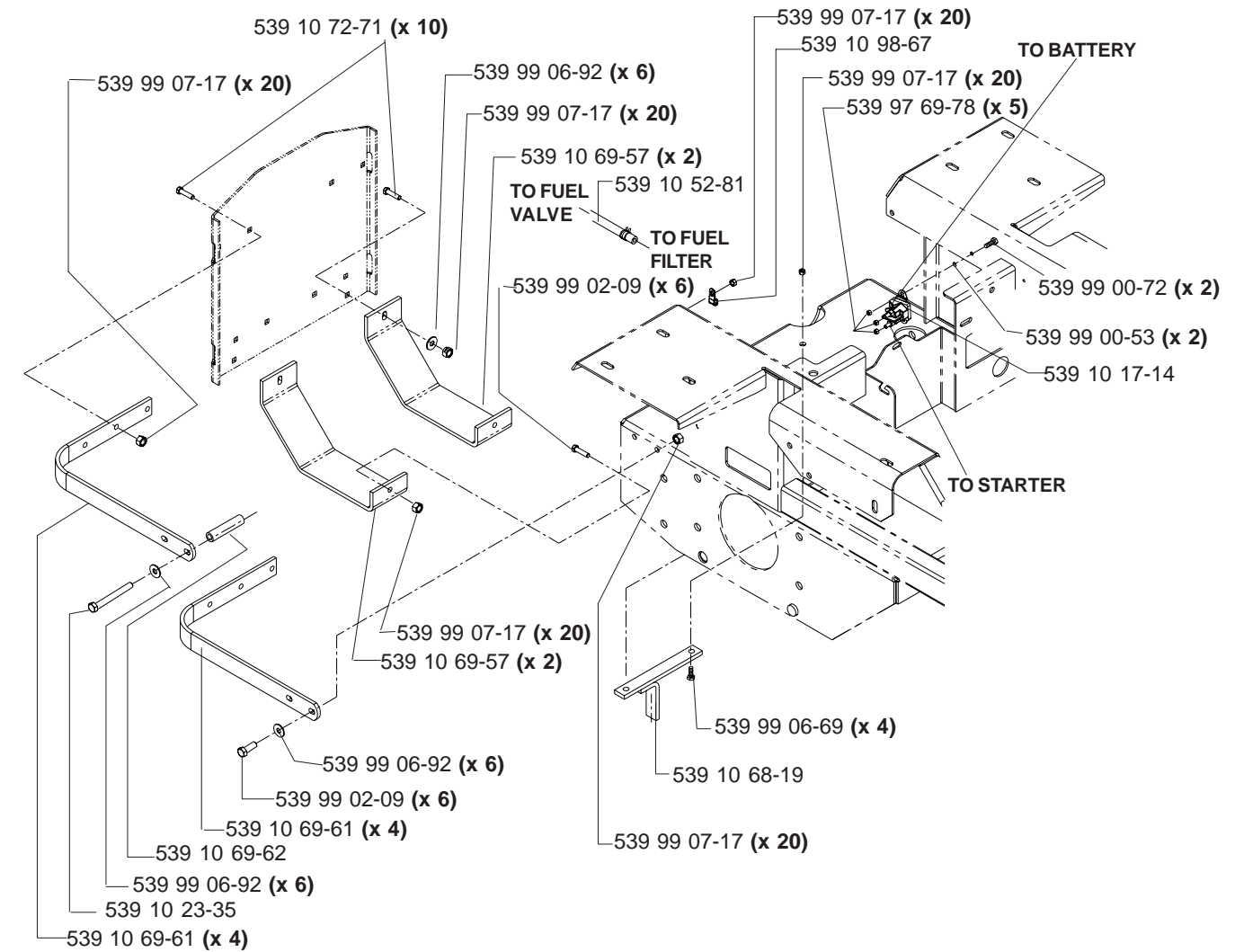
SEAT ASSEMBLY

MODELS: 968999254, 968999255



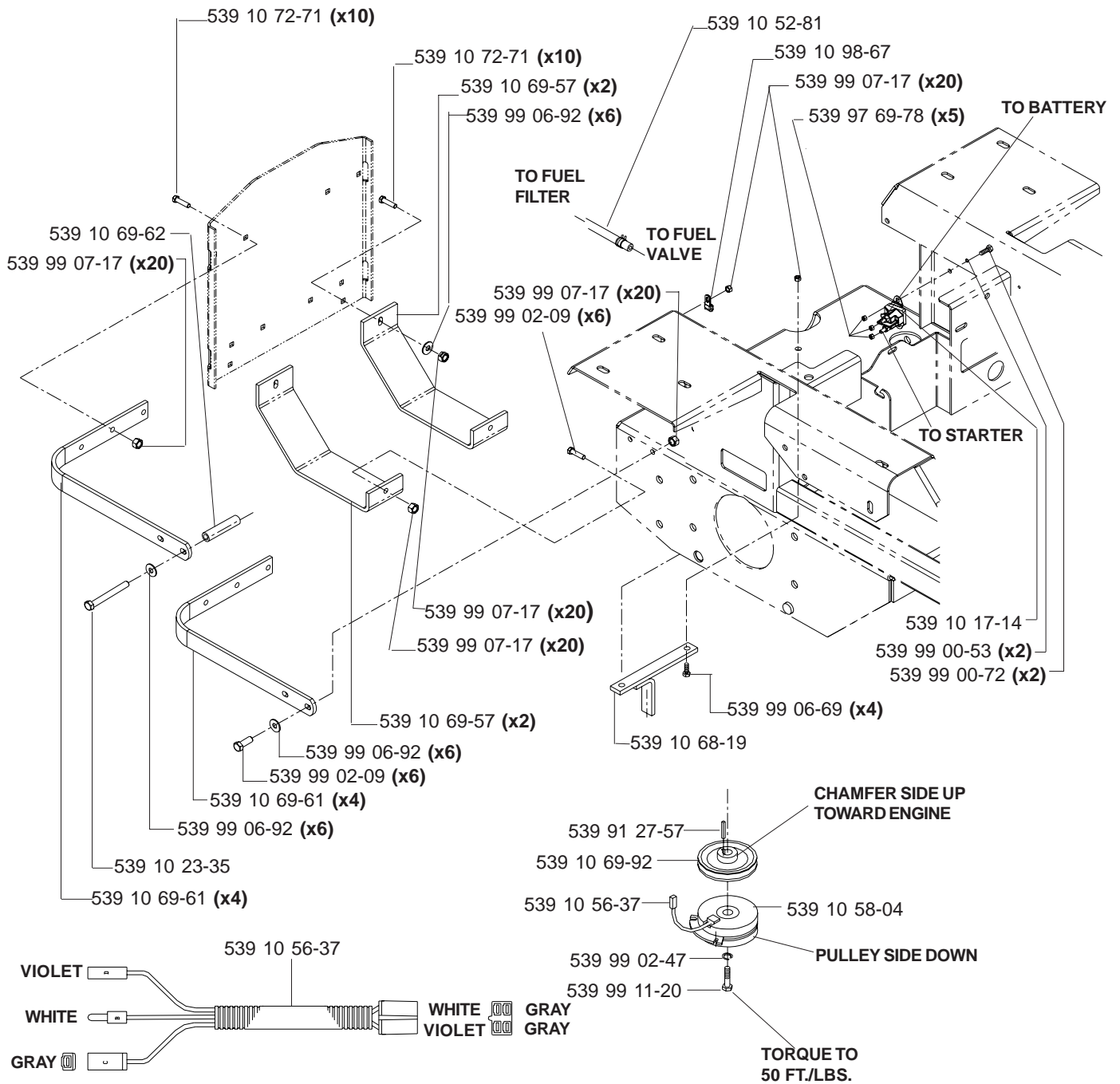
KAWASAKI ENGINE ASSEMBLY

MODELS: 968999256, 968999257, 968999259

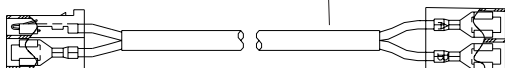


KAWASAKI 17 HP ENGINE ASSEMBLY

MODELS: 968999254, 968999255

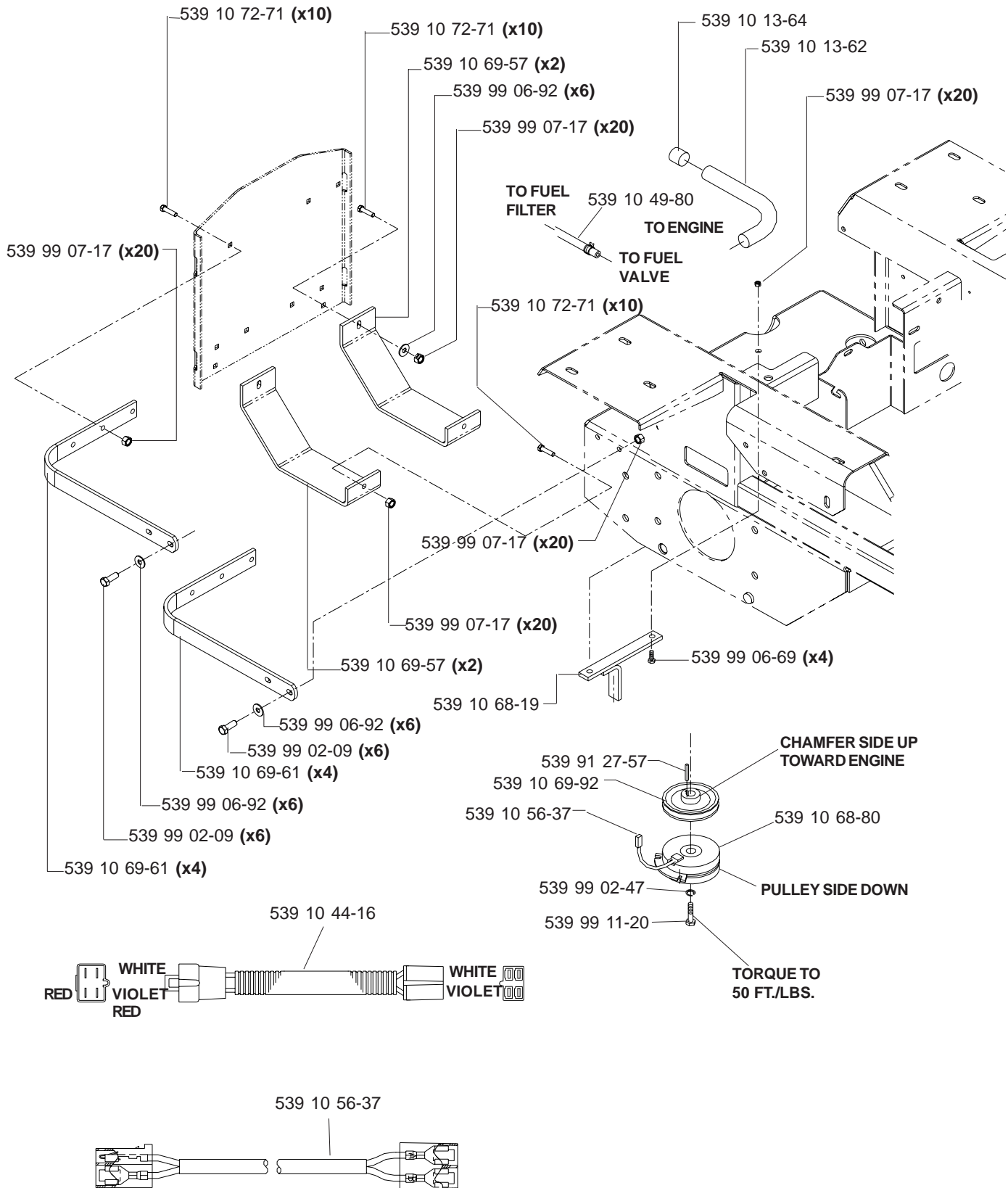


539 10 56-37

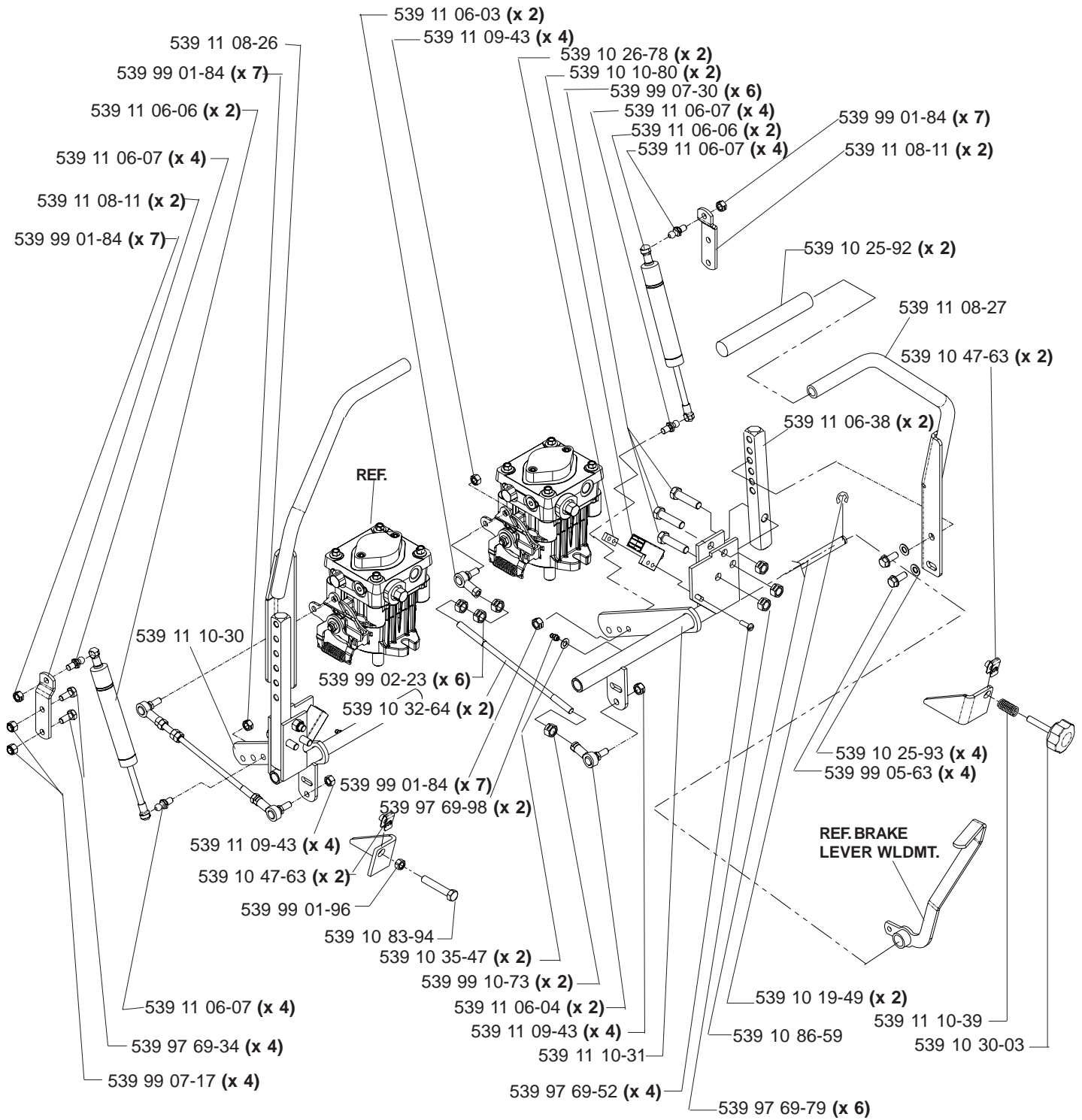


KOHLER ENGINE ASSEMBLY

MODEL: 968999258

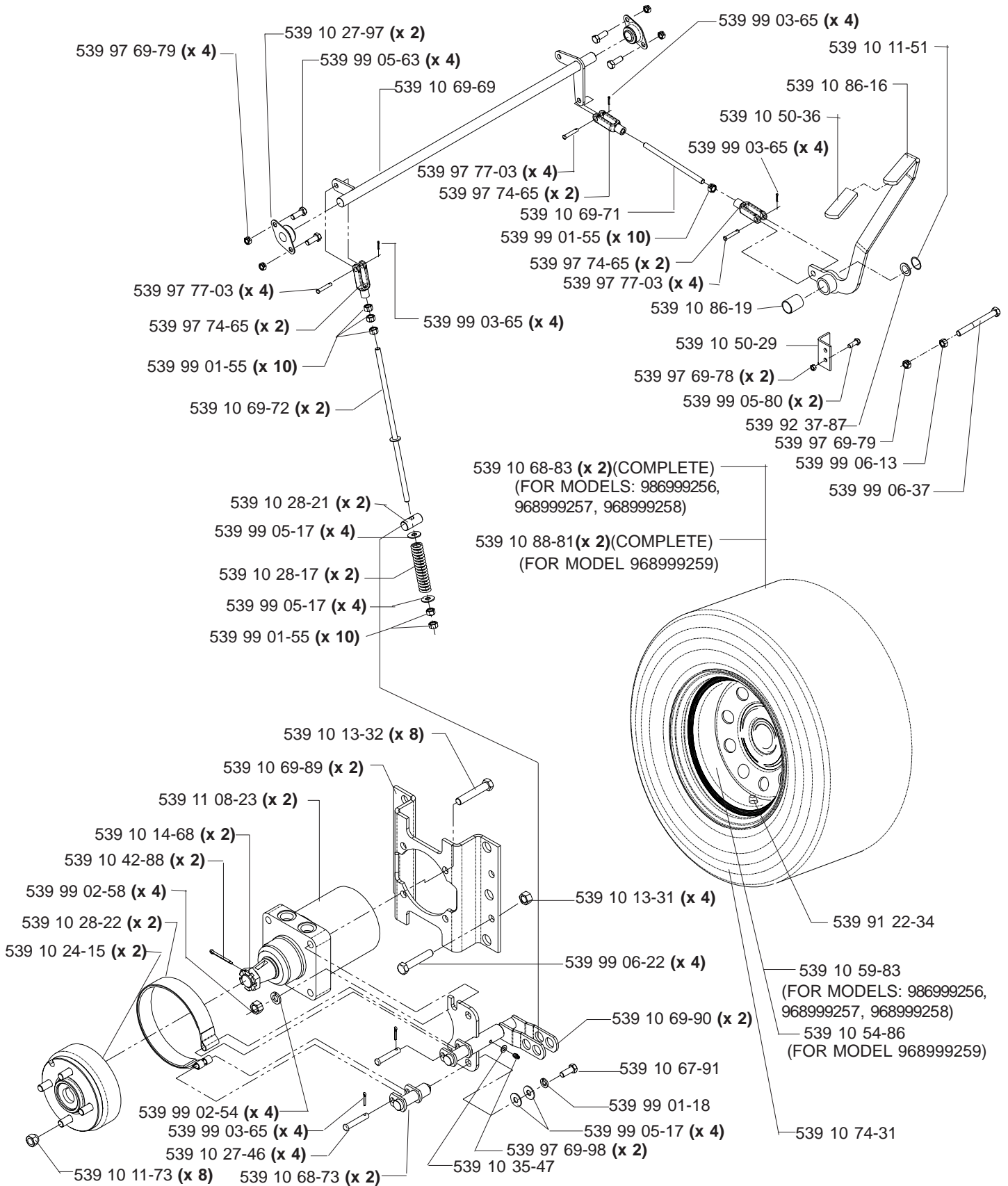


MOTION CONTROL ASSEMBLY



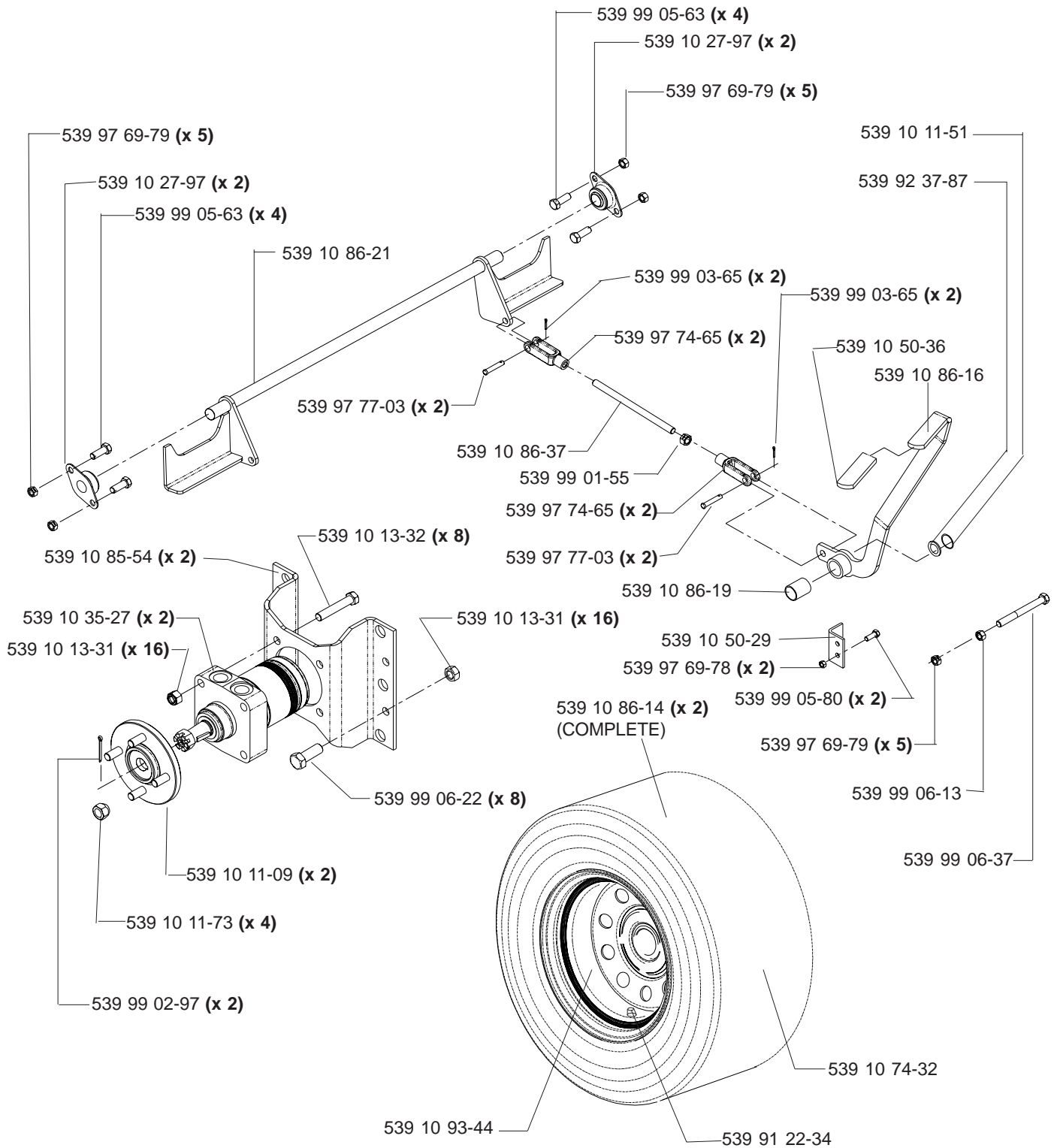
PARK BRAKE ASSEMBLY (TL)

MODELS: 968999256, 968999257, 968999258, 968999259



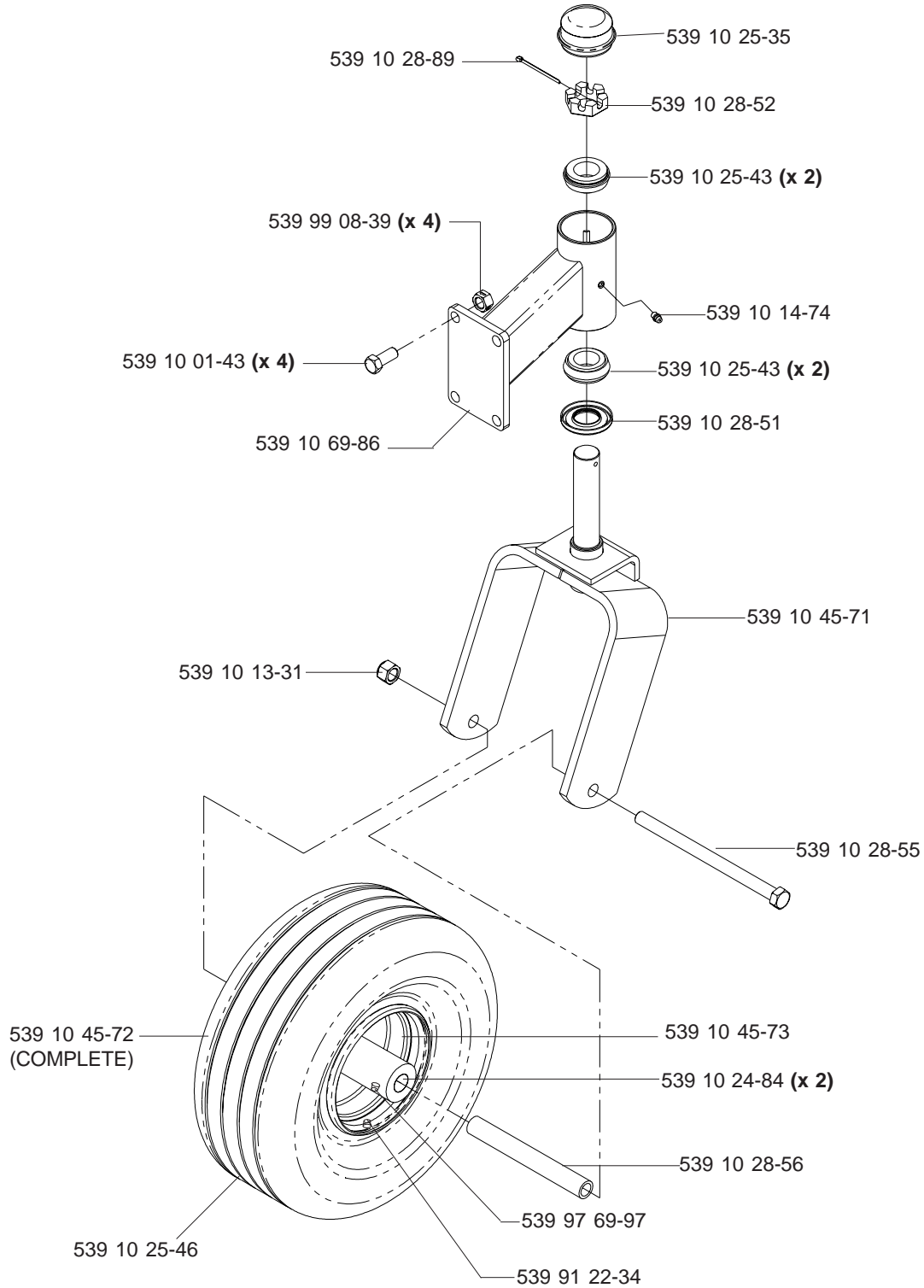
PARK BRAKE ASSEMBLY (TE)

MODELS: 968999254, 968999255



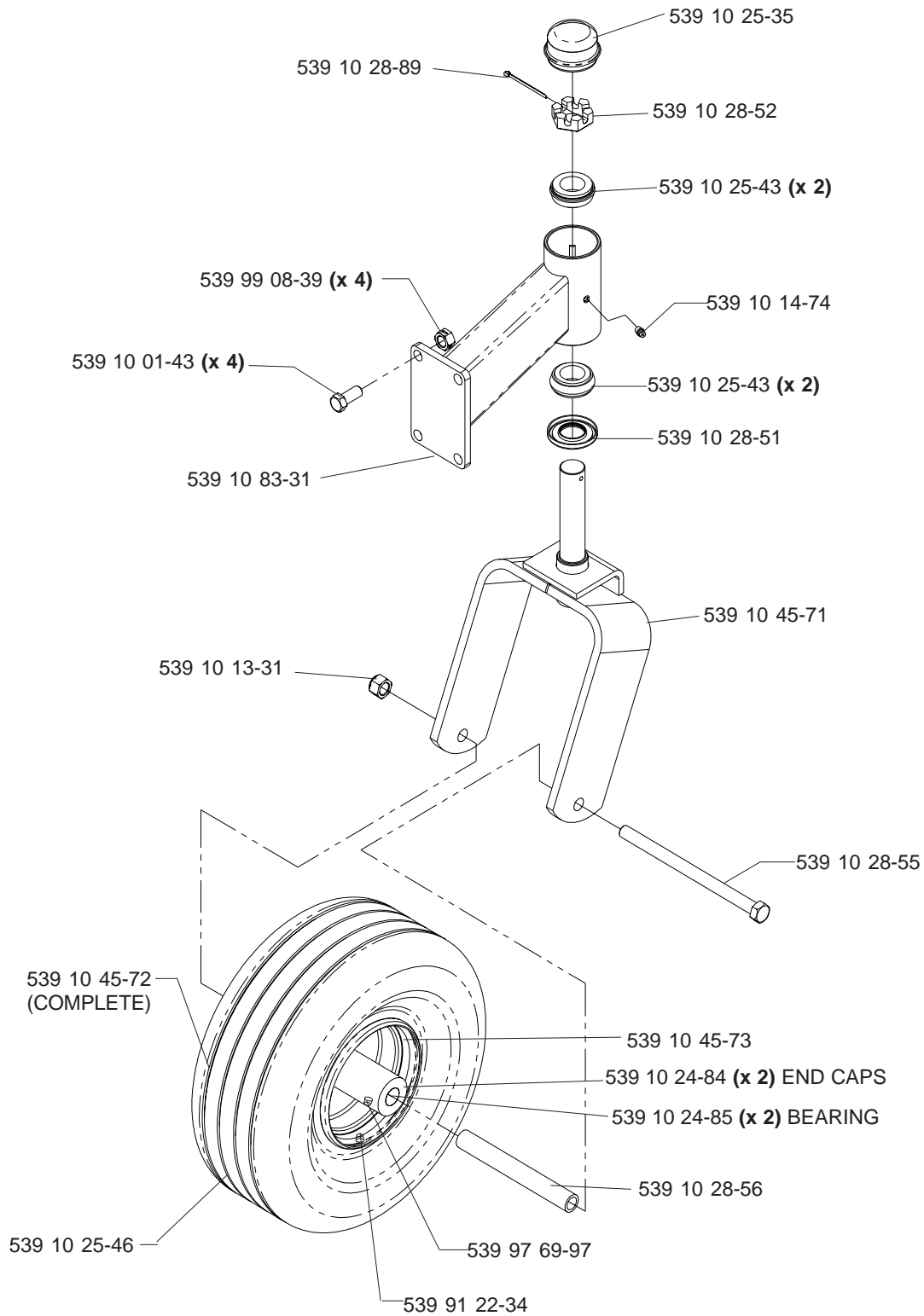
CASTER ARM

MODELS: 968999254, 968999255, 968999256, 968999257, 968999258

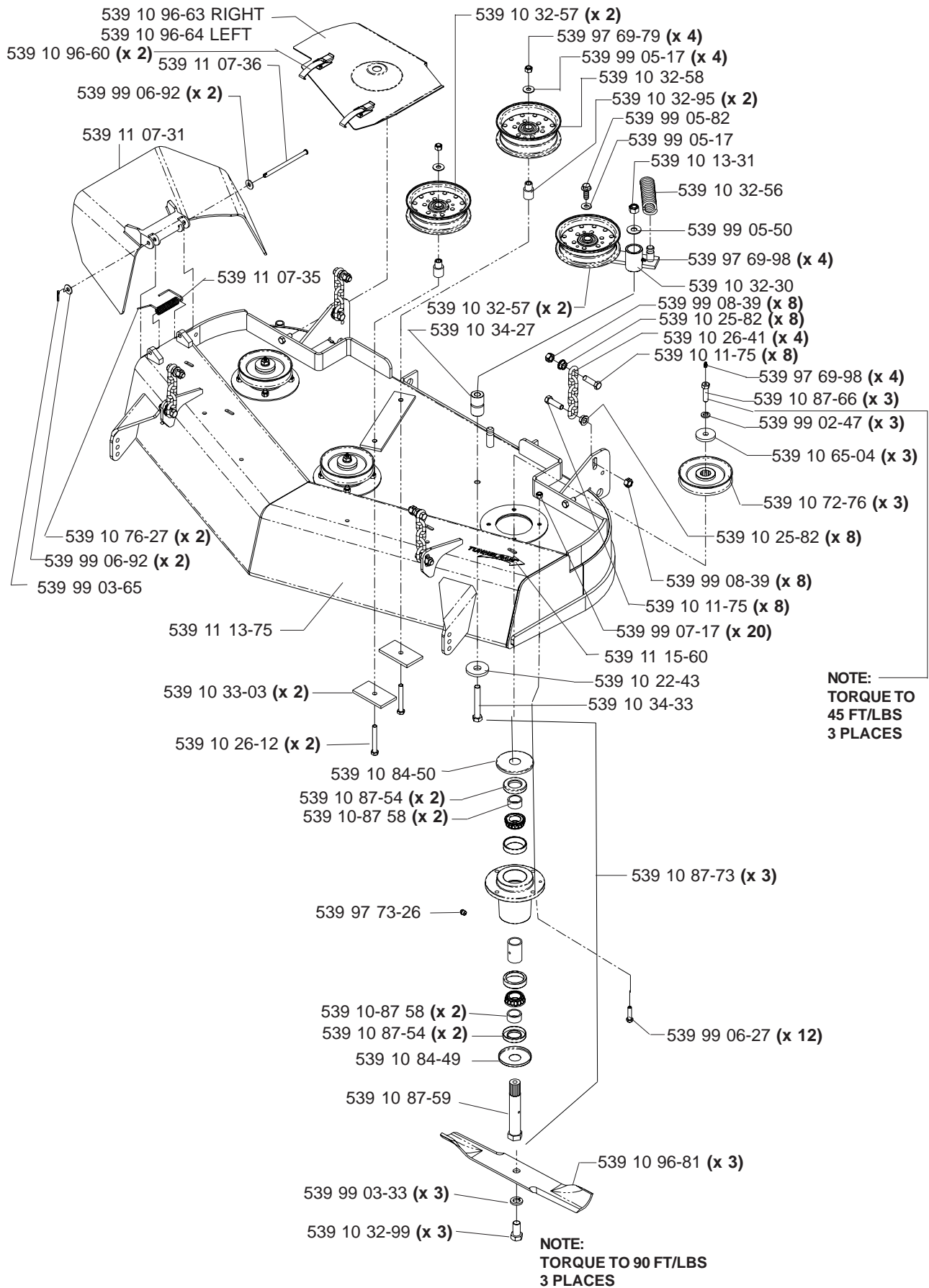


CASTER ARM

MODEL: 986999259



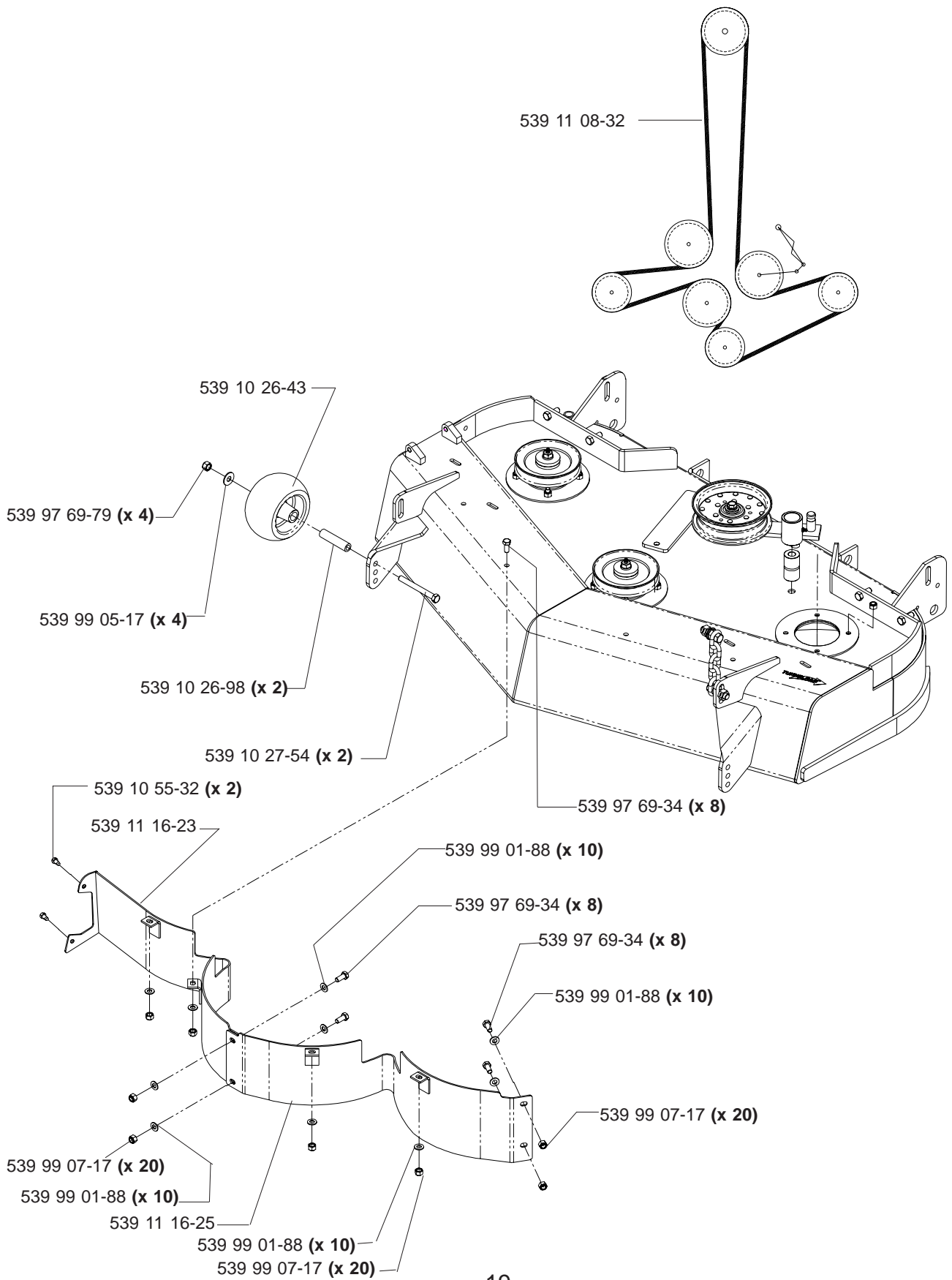
42" DECK ASSEMBLY



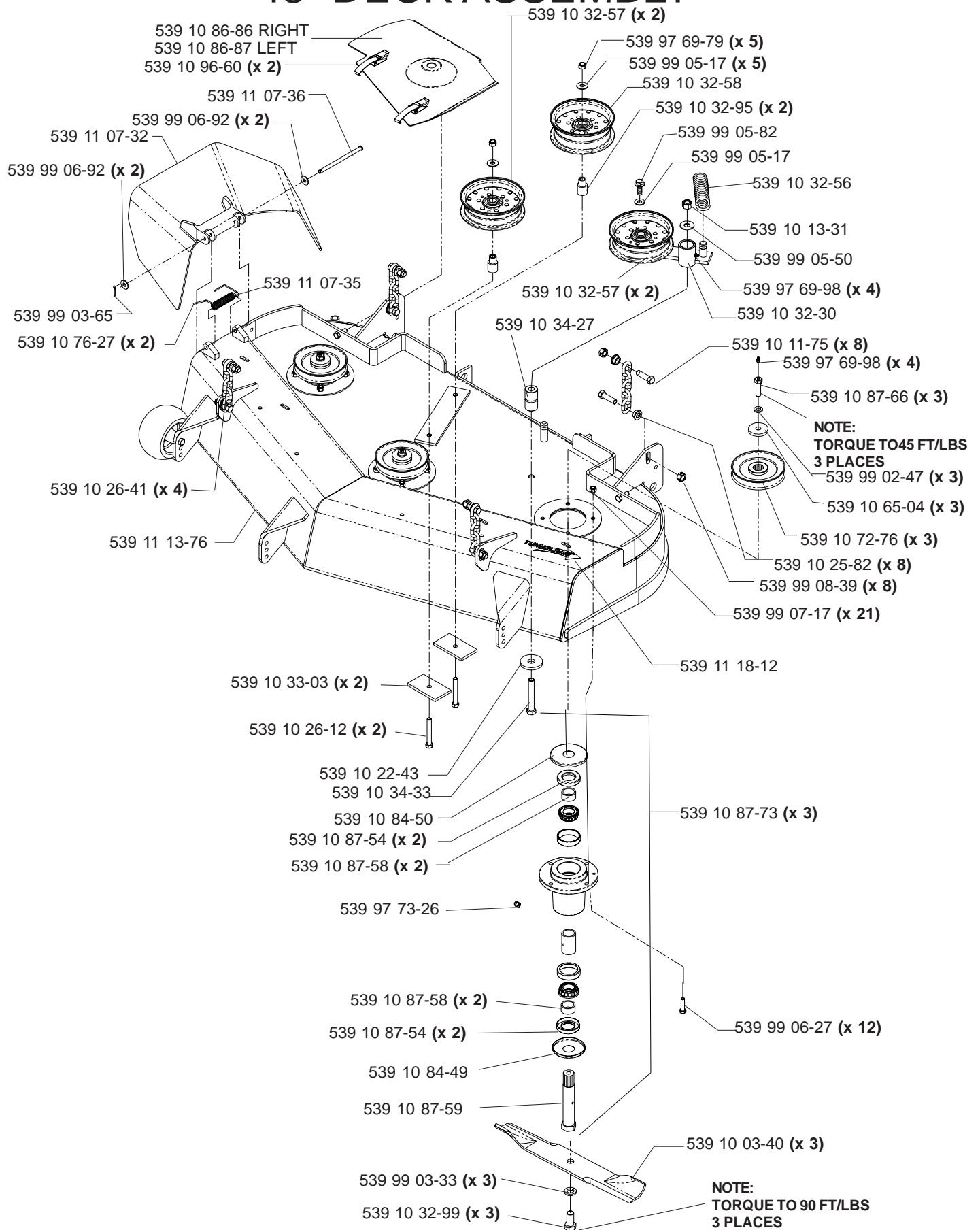
NOTE:
 TORQUE TO
 45 FT/LBS
 3 PLACES

NOTE:
 TORQUE TO 90 FT/LBS
 3 PLACES

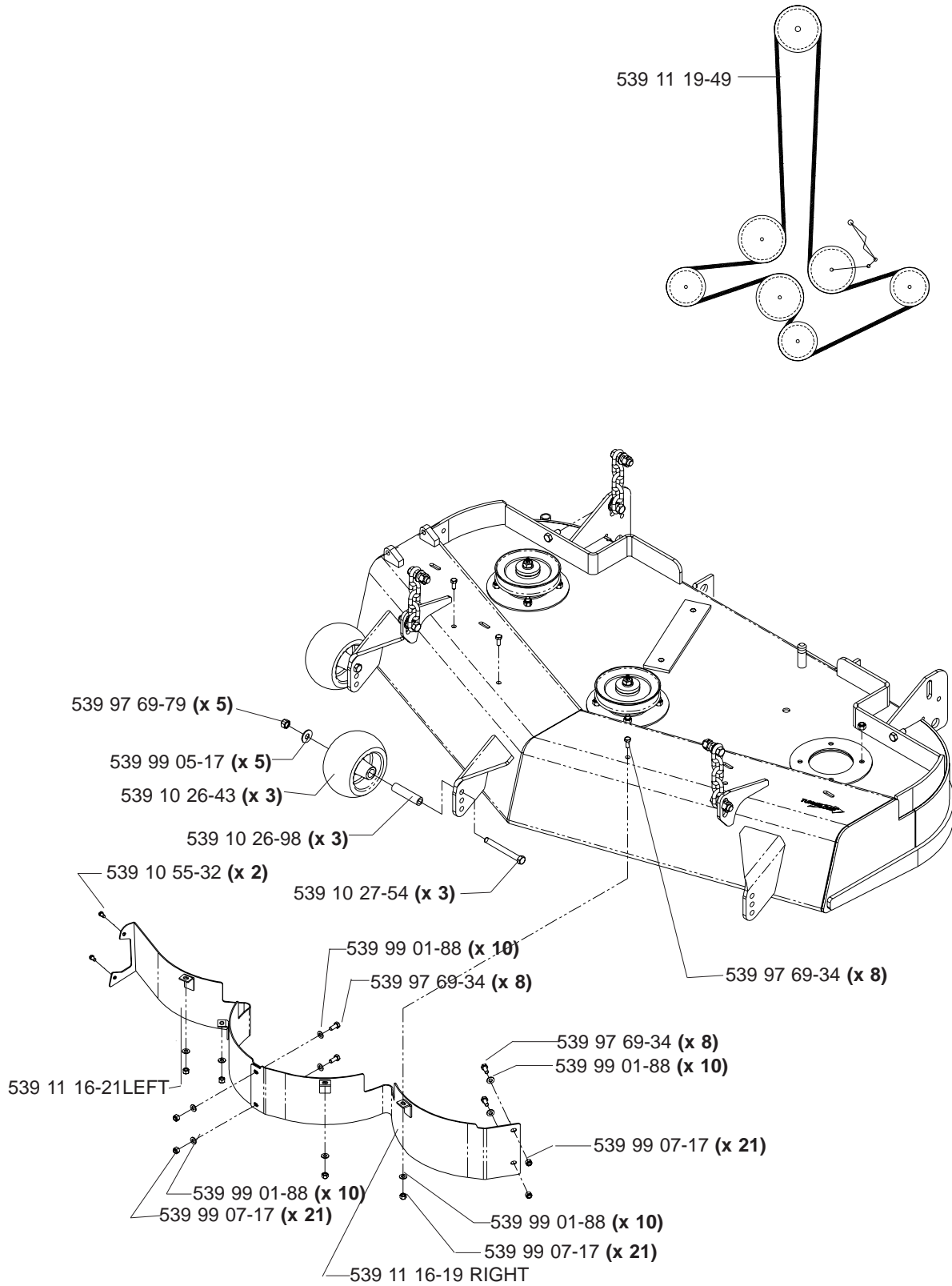
42" DECK ASSEMBLY



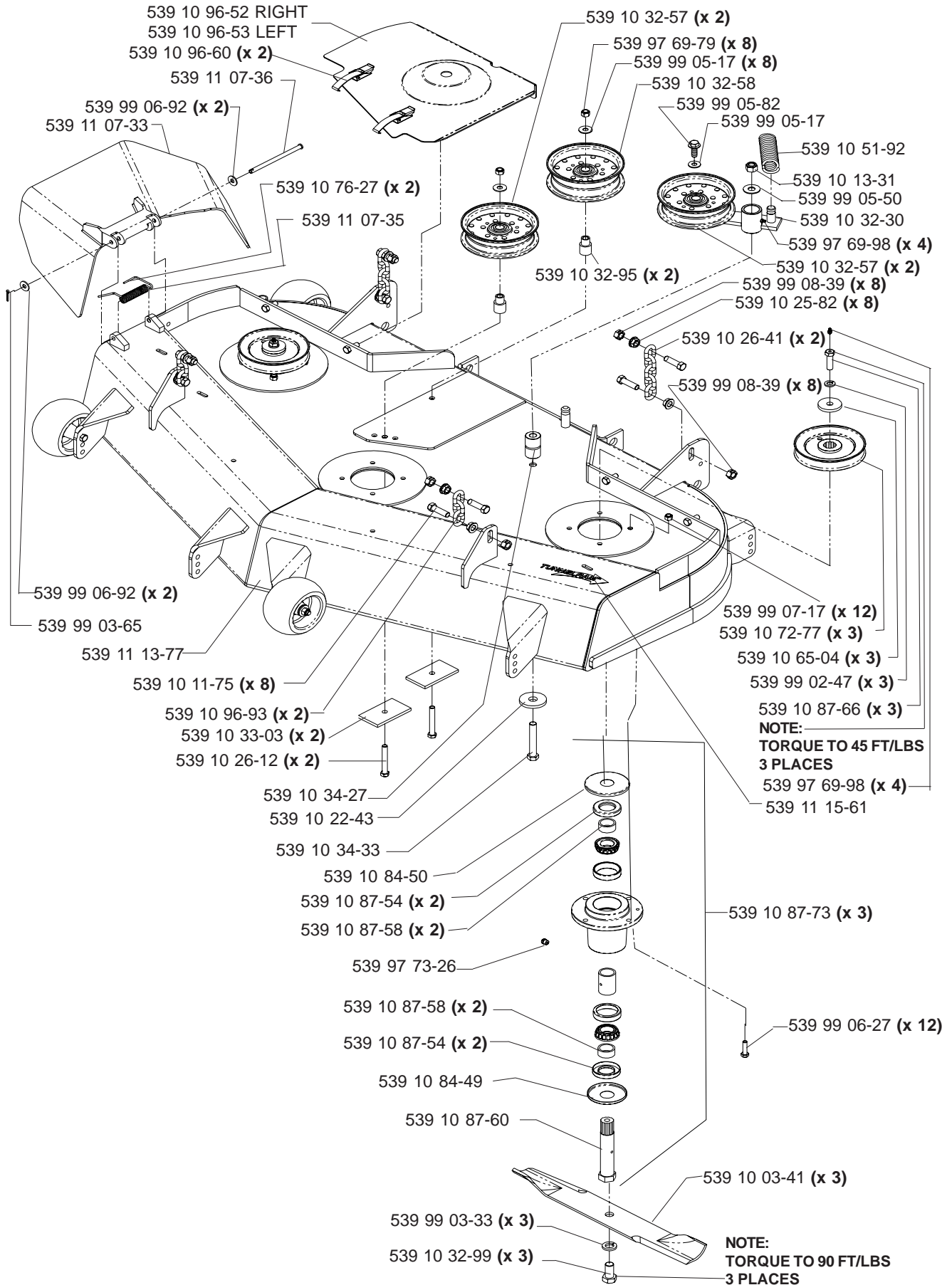
48" DECK ASSEMBLY



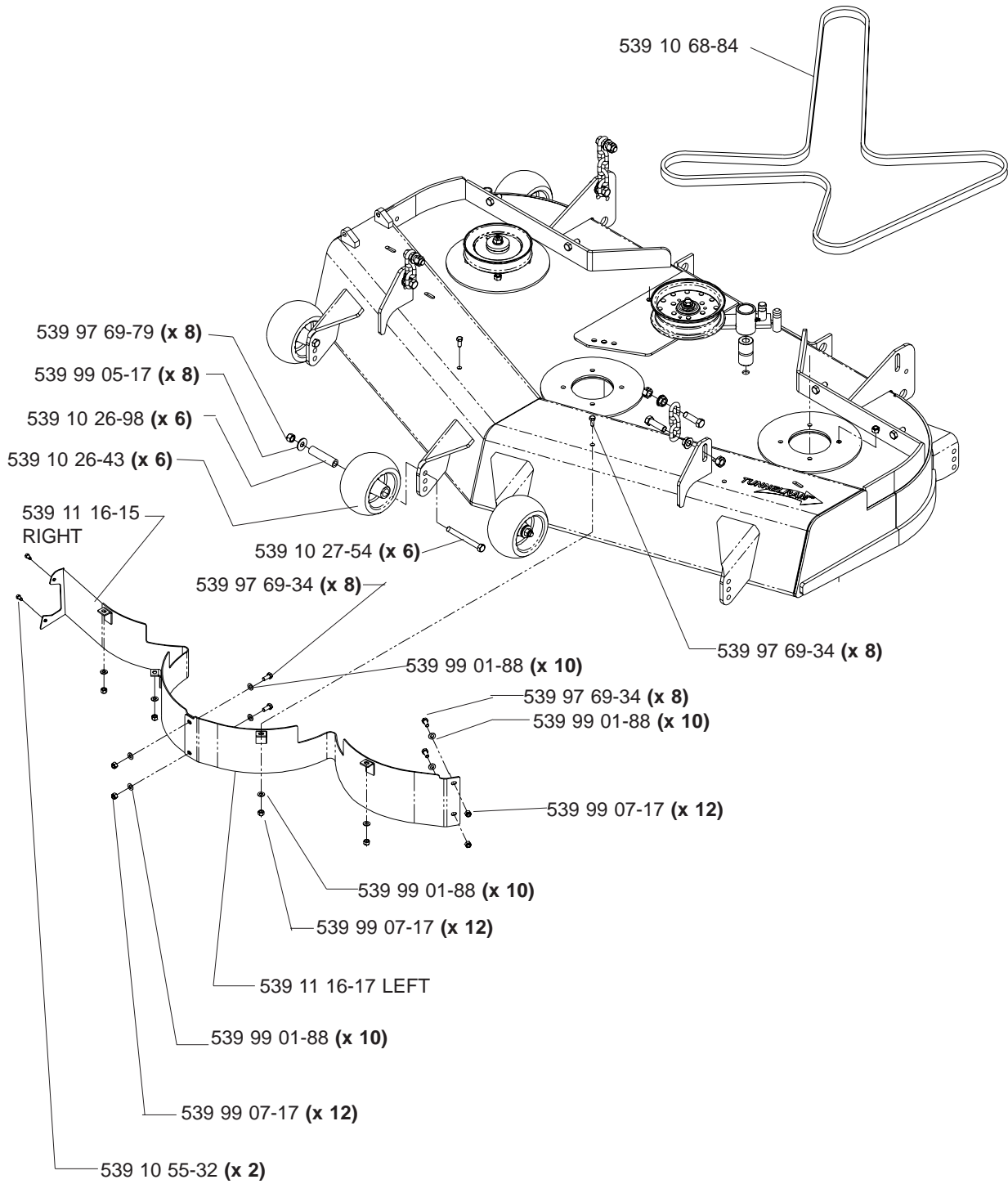
48" DECK ASSEMBLY



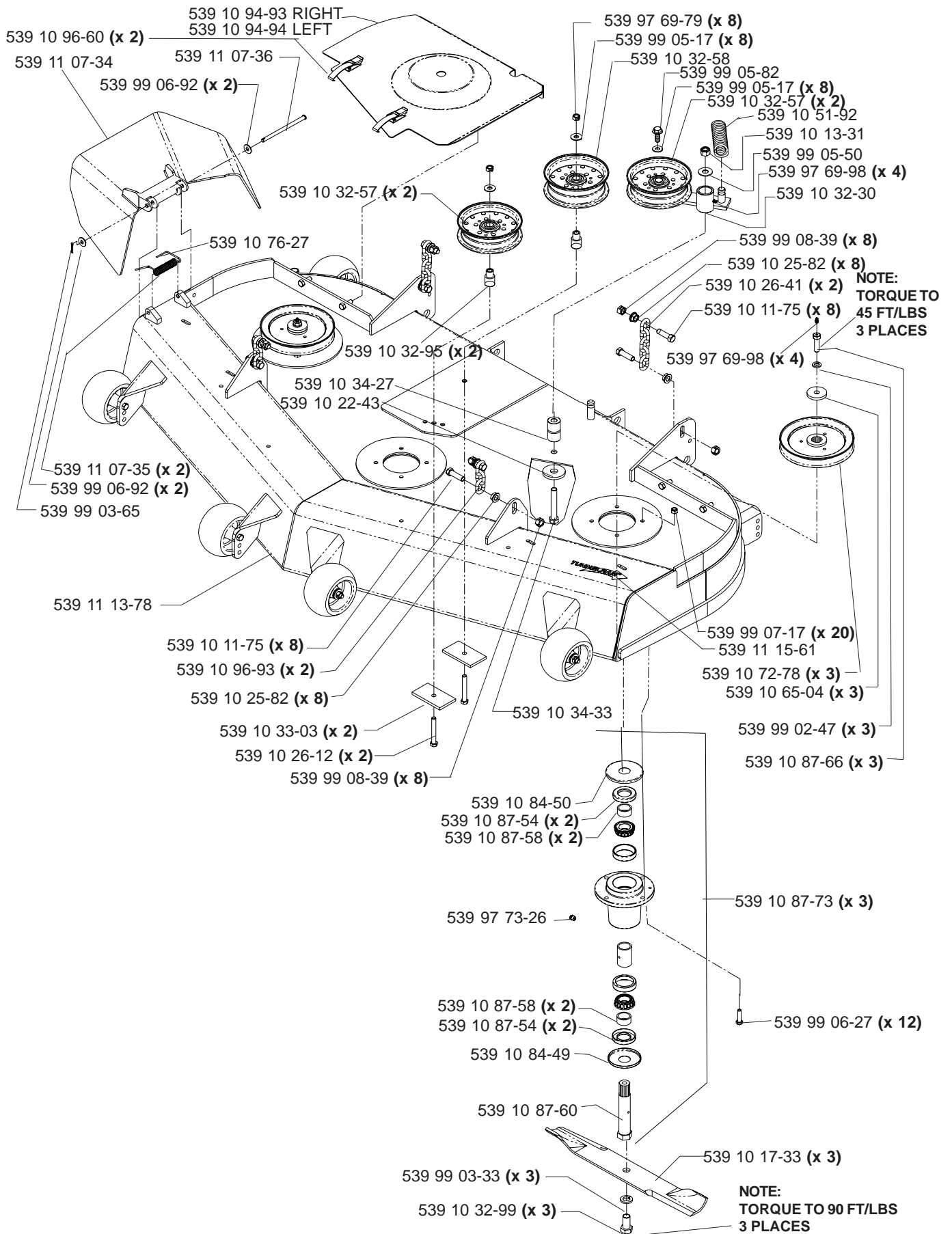
52" DECK ASSEMBLY



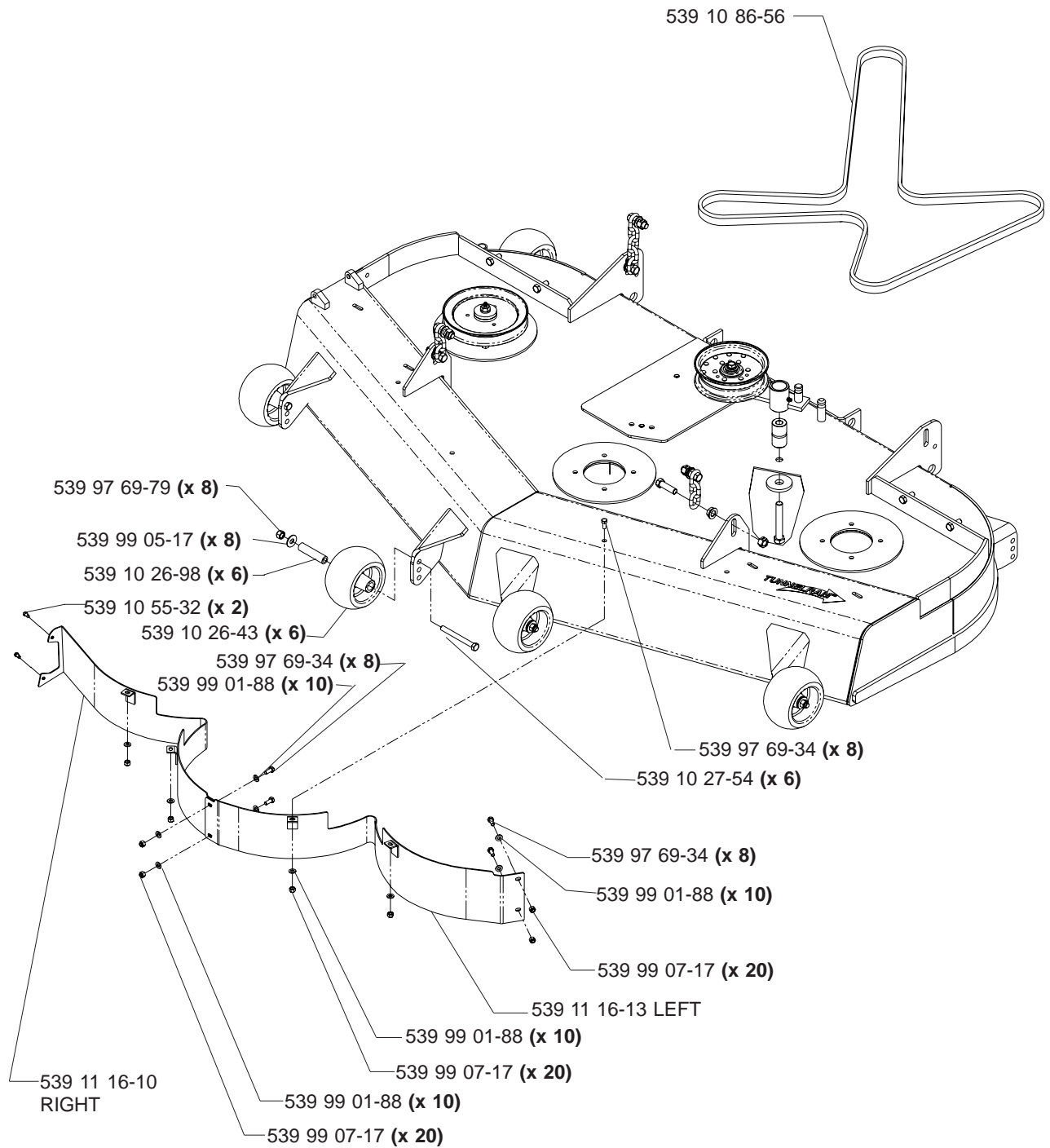
52" DECK ASSEMBLY



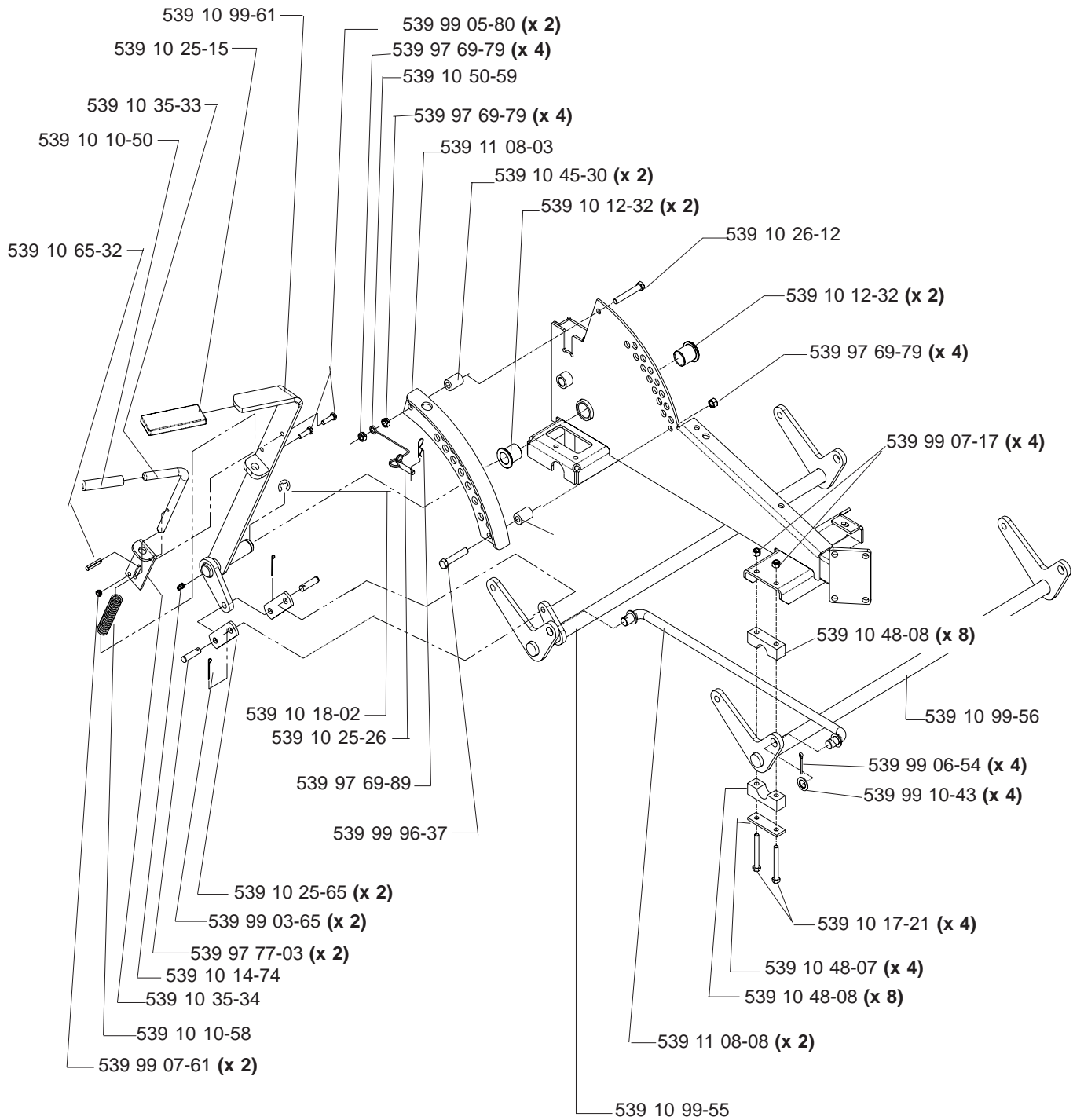
61" DECK ASSEMBLY



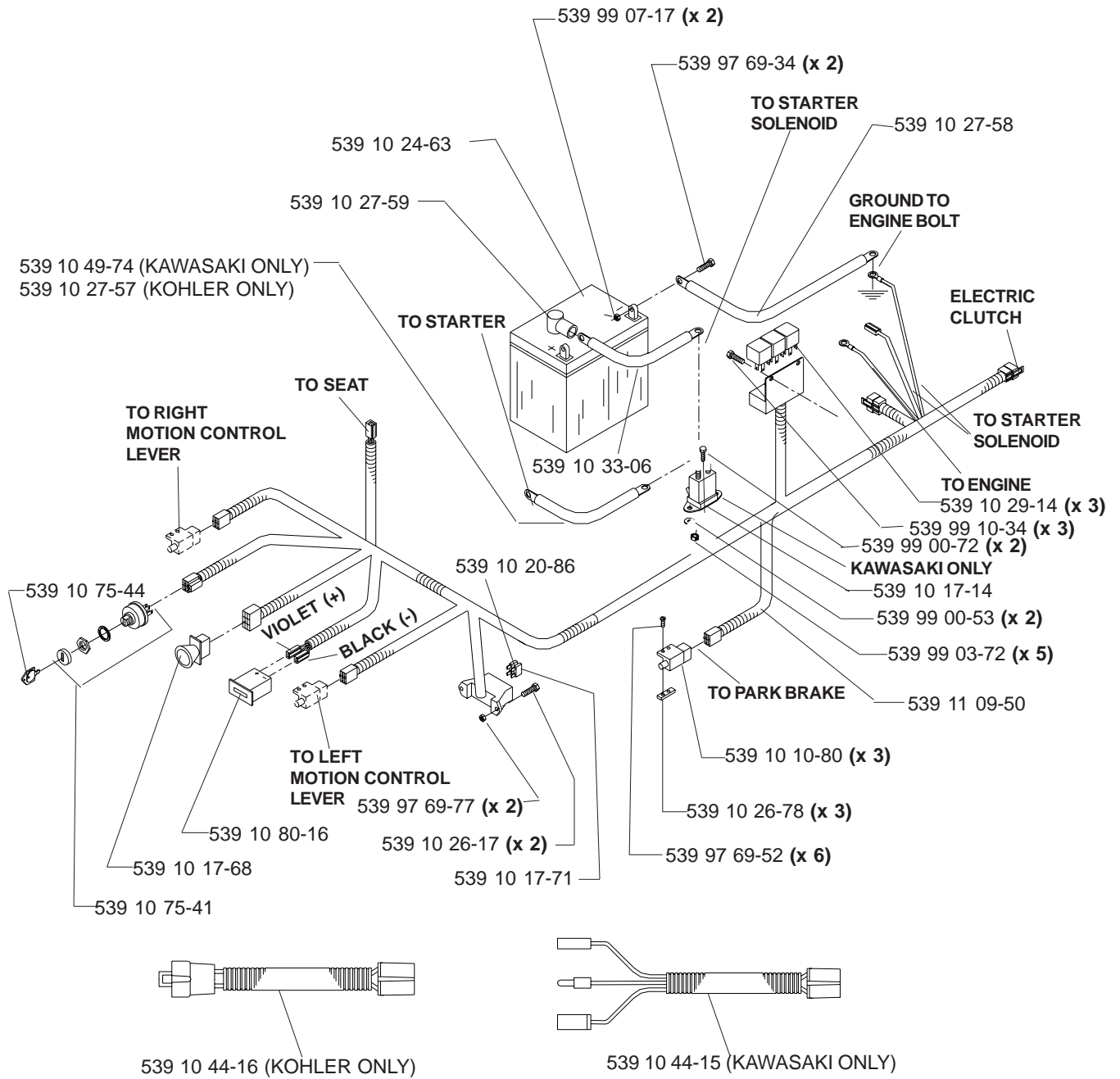
61" DECK ASSEMBLY



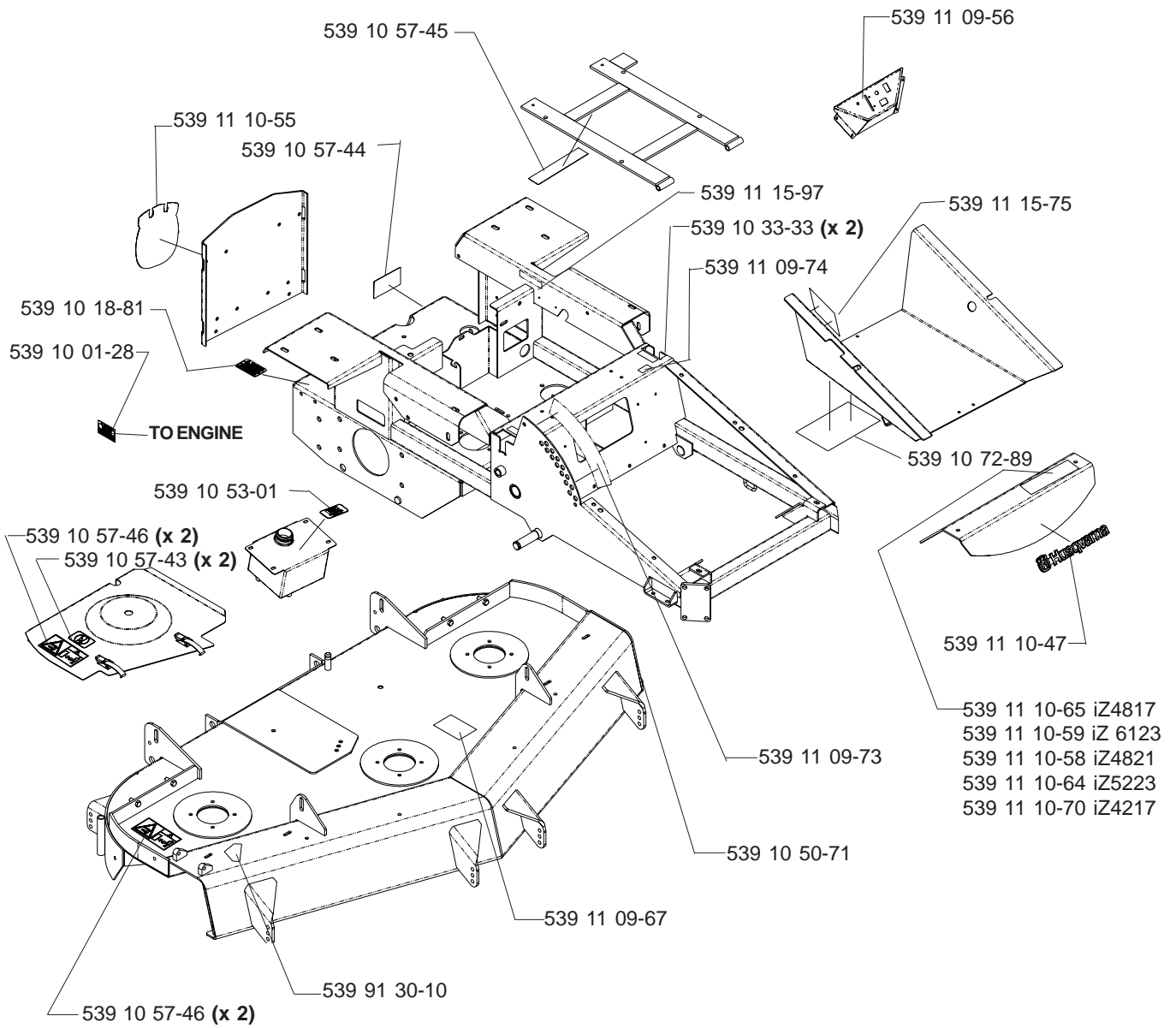
DECK LIFT ASSEMBLY



WIRING ASSEMBLY

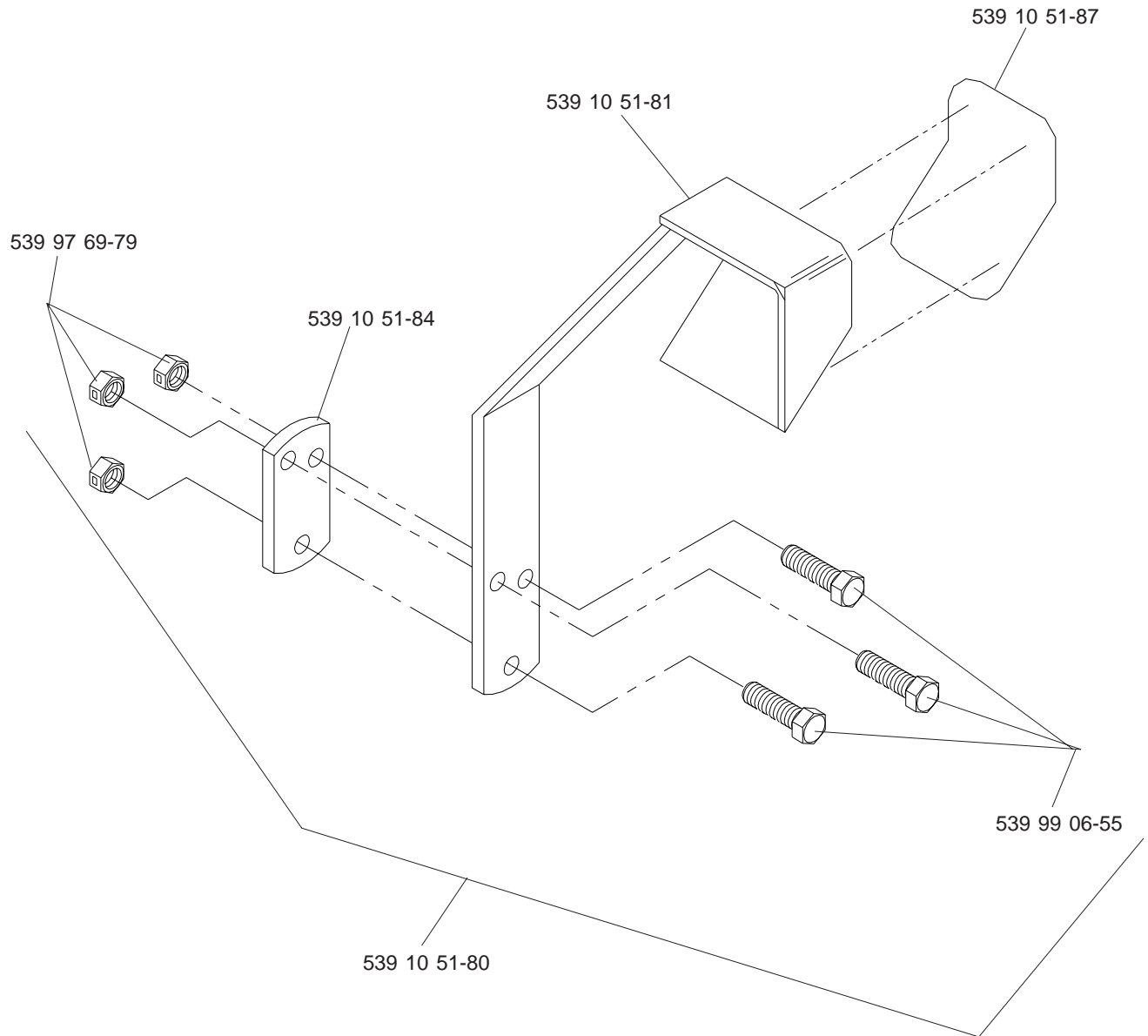


DECALS

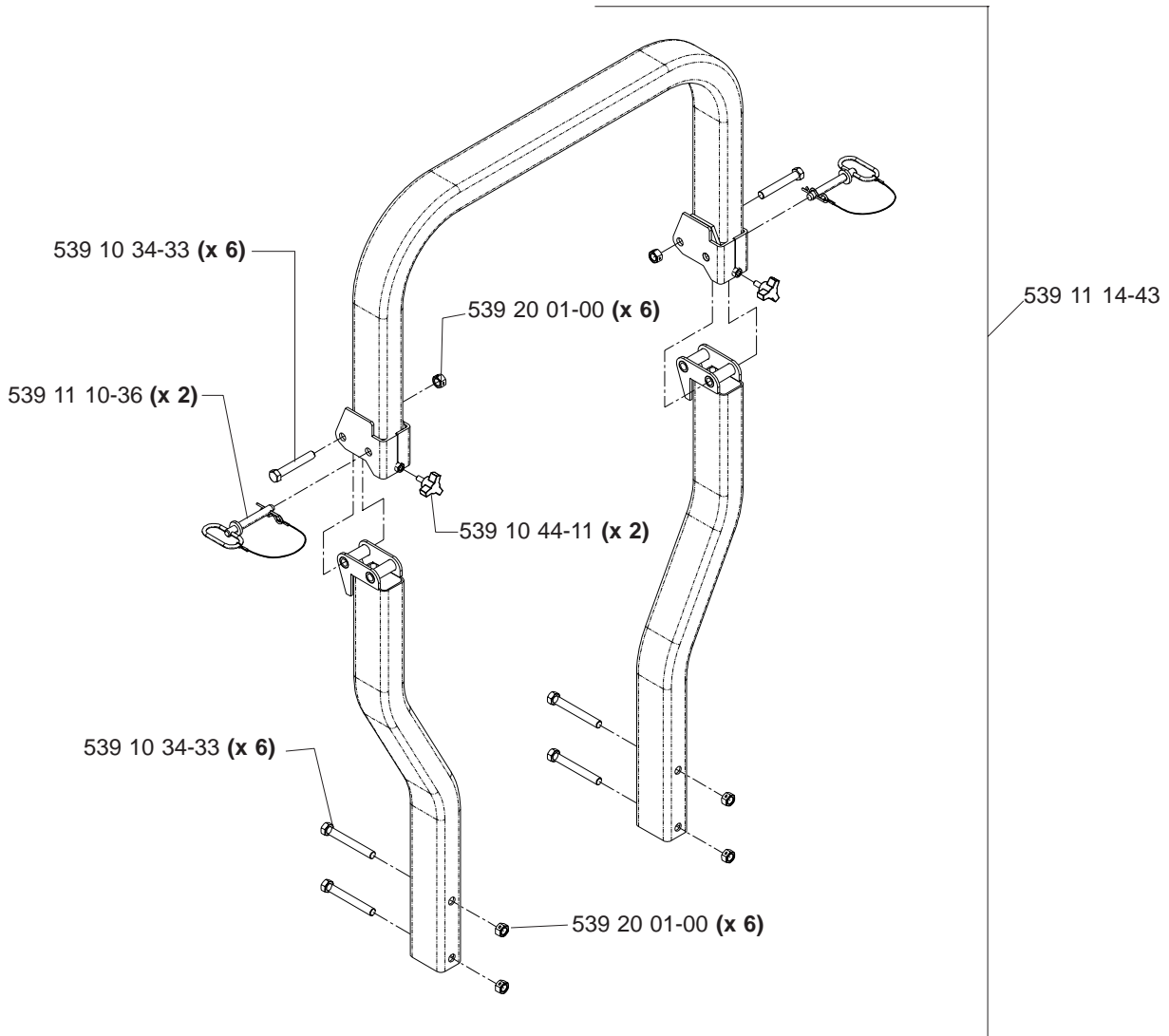


539 10 26-70 DECAL, FUEL VALVE (NOT SHOWN)

LIFT PEDAL



ROPS



ACCESSORIES

MULCH KITS:

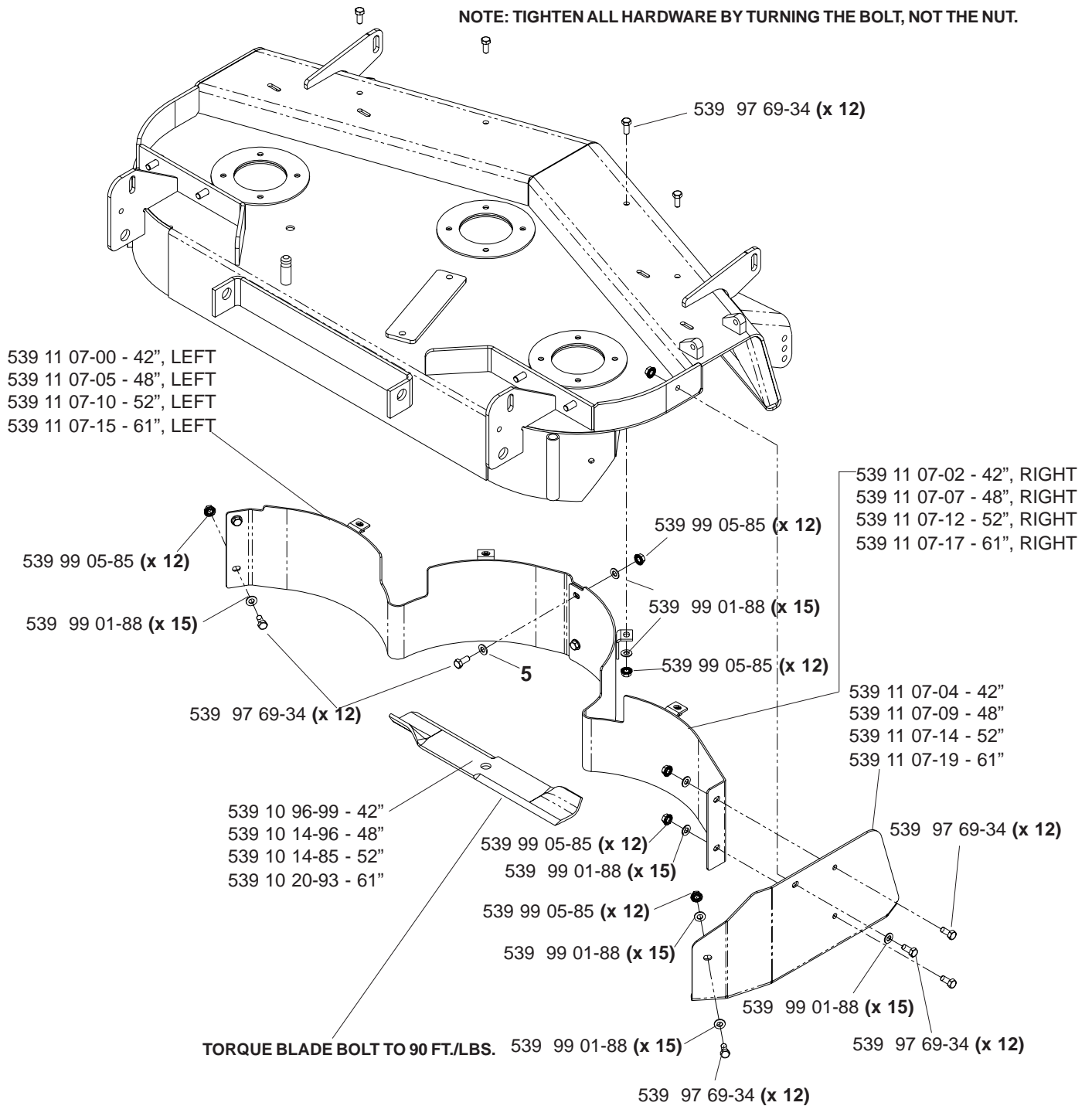
42" PART NO. 539 11 13-50

48" PART NO. 539 11 13-51

52" PART NO. 539 11 13-52

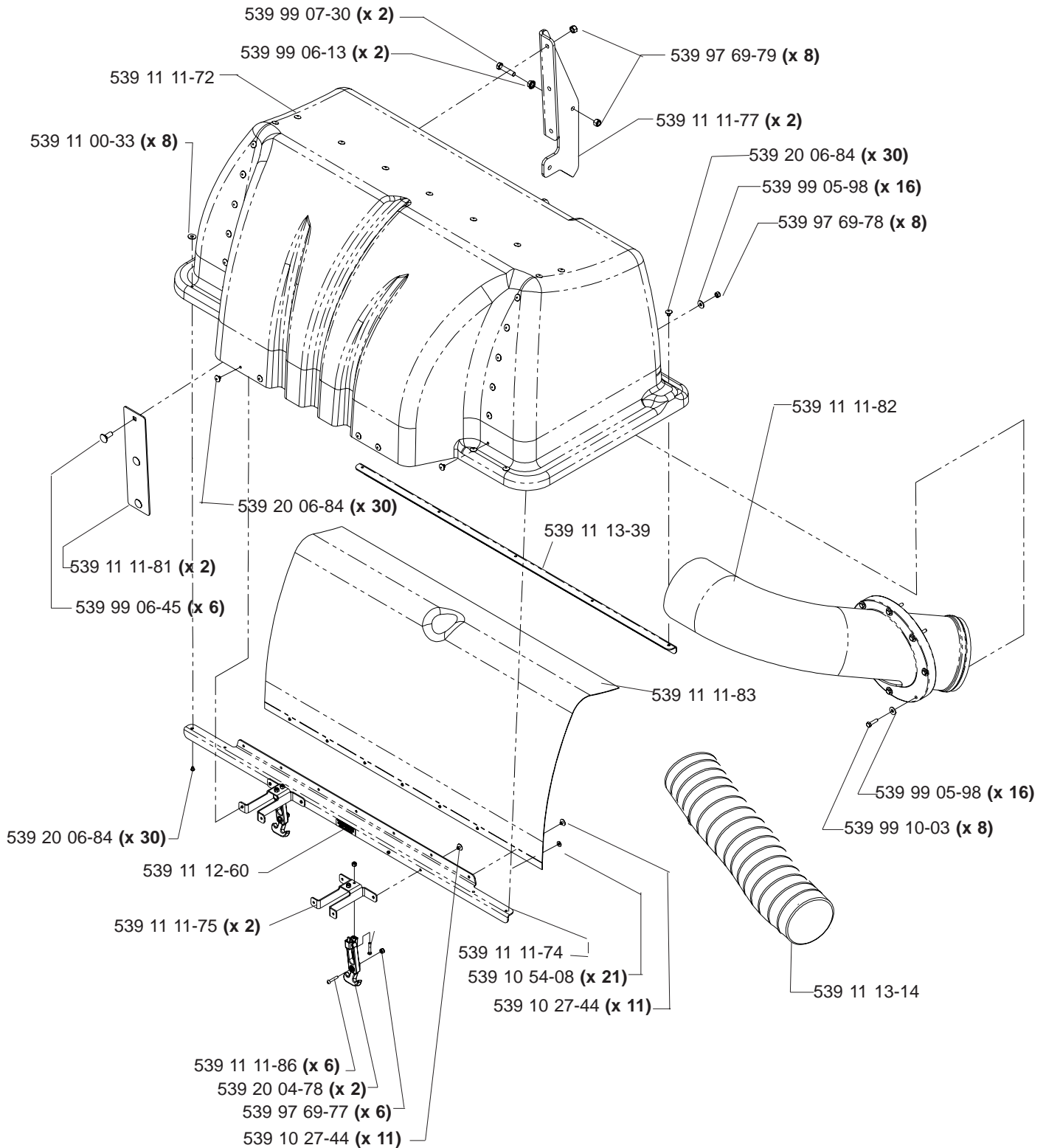
61" PART NO. 539 11 13-53

NOTE: TIGHTEN ALL HARDWARE BY TURNING THE BOLT, NOT THE NUT.



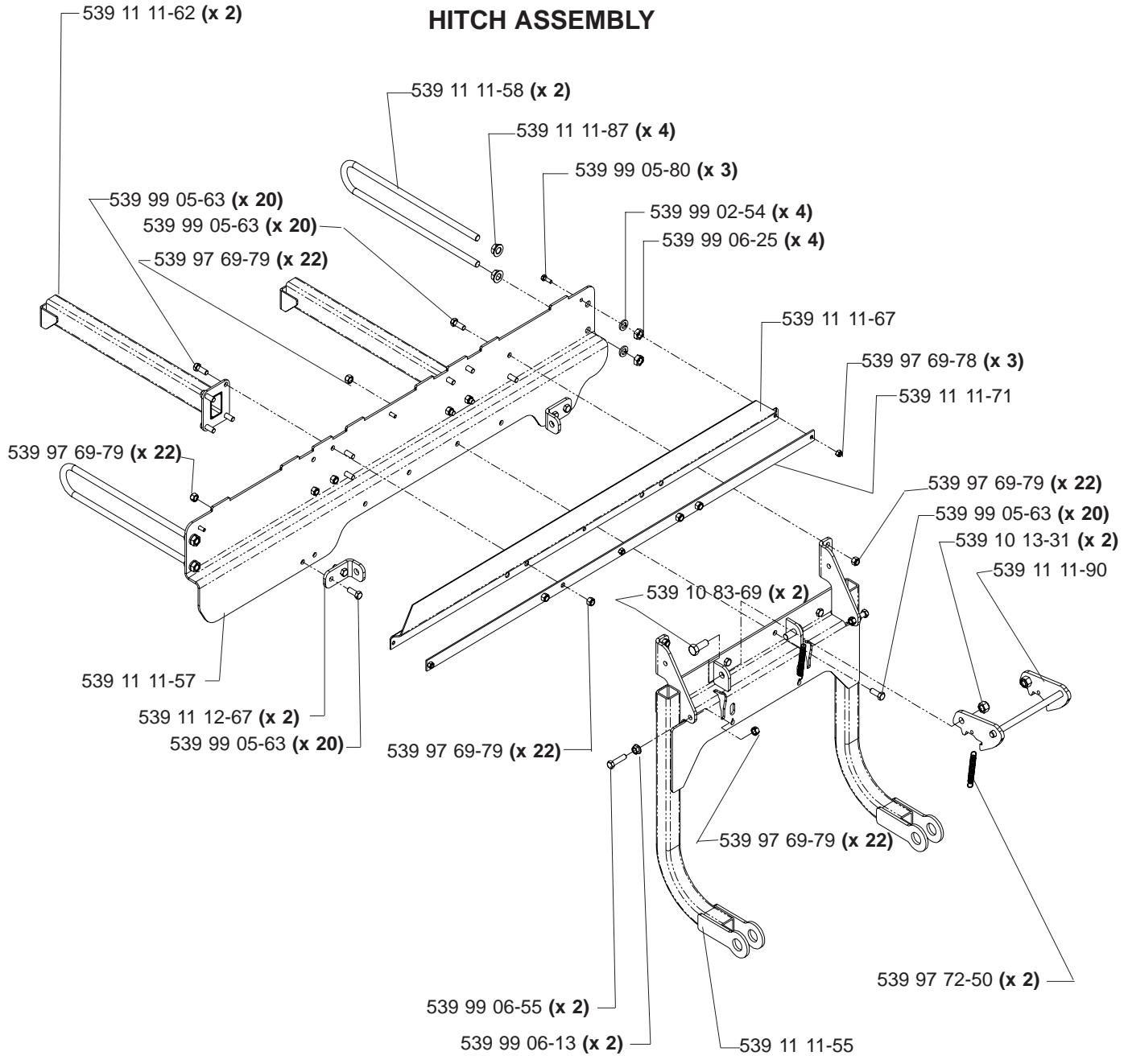
ACCESSORIES

COLLECTION SYSTEM HCS9 - 539 11 12-80 HOOD ASSEMBLY



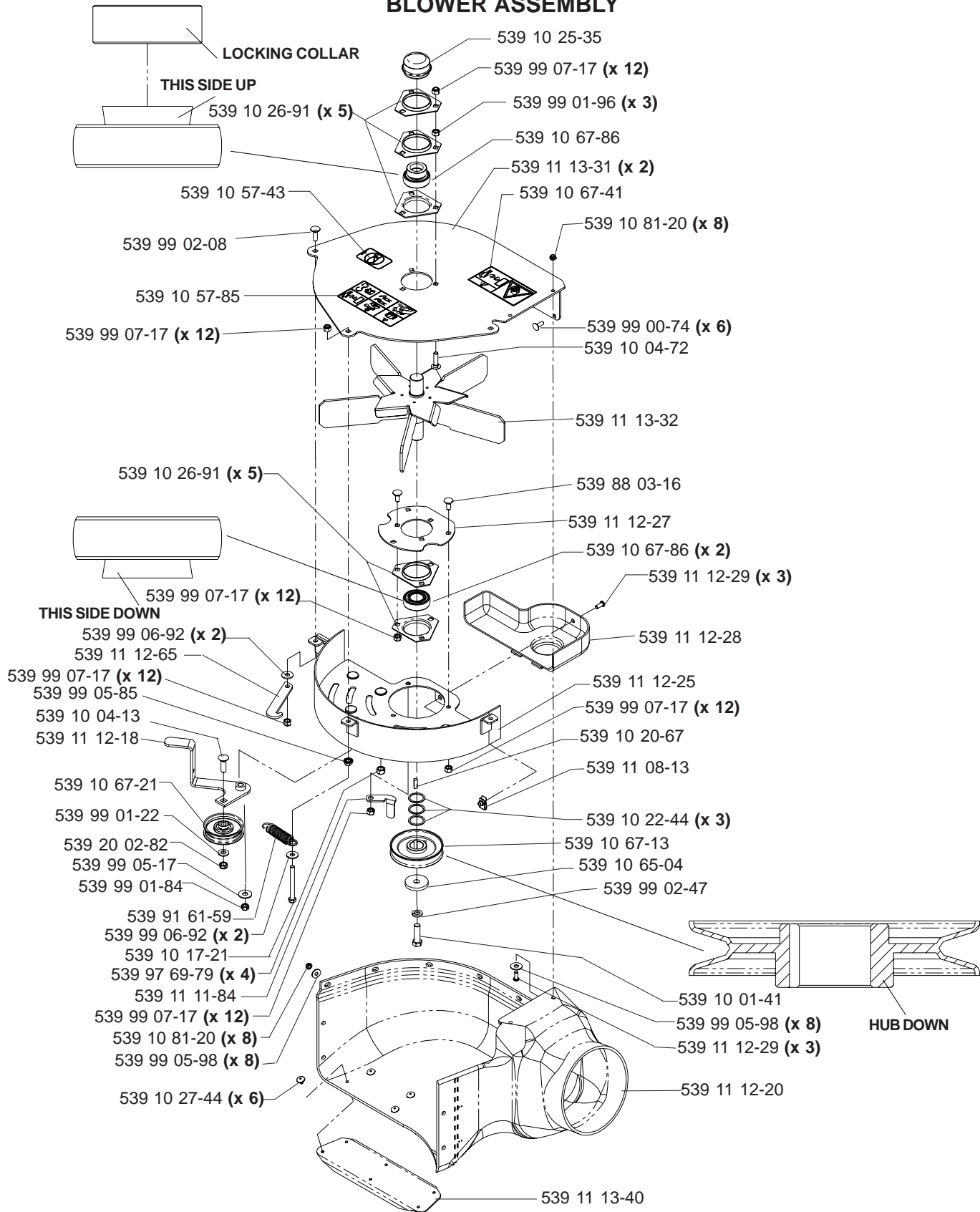
ACCESSORIES

COLLECTION SYSTEM HCS9 - 539 11 12-80 HITCH ASSEMBLY



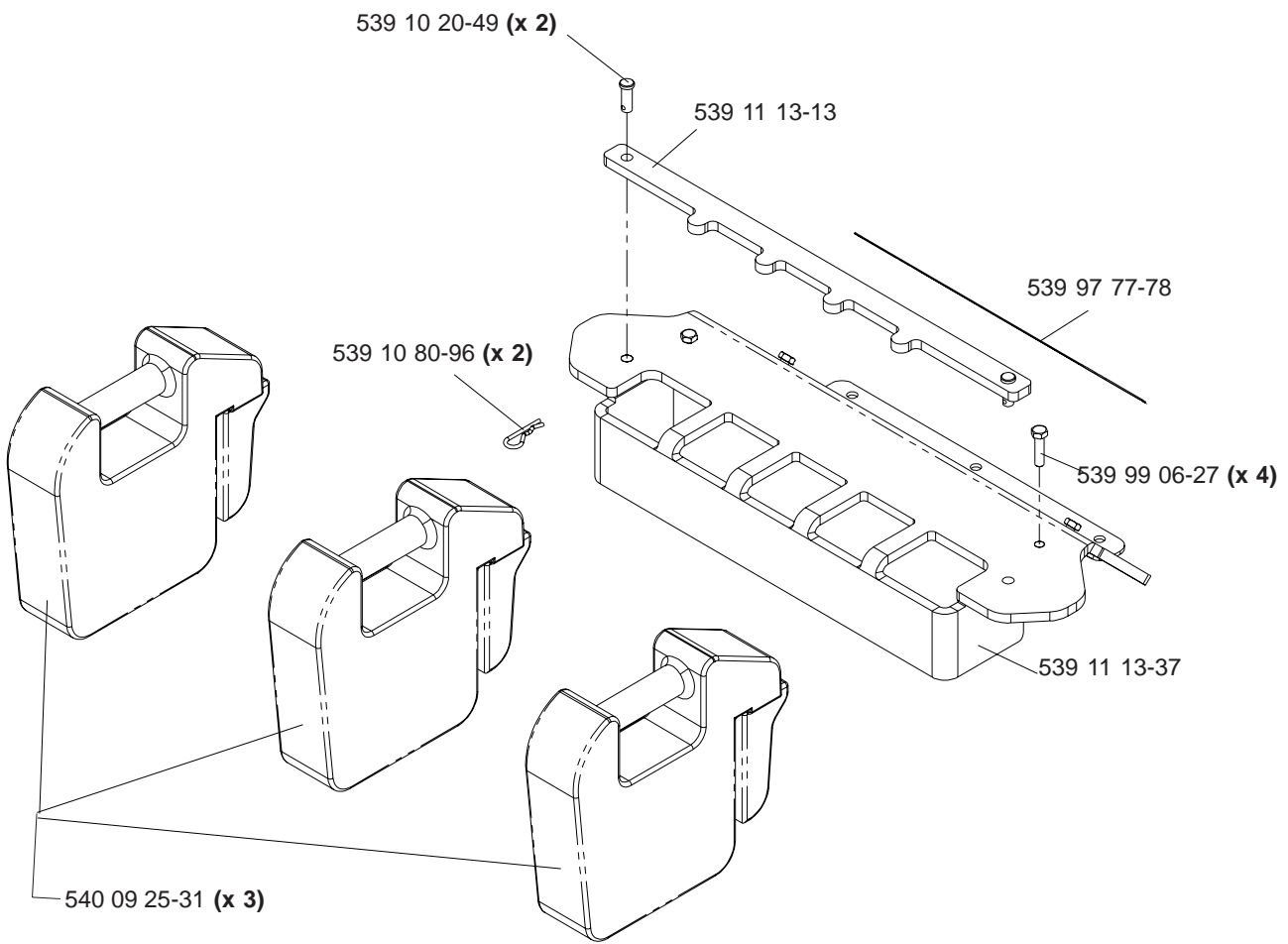
ACCESSORIES

COLLECTION SYSTEM HCS9 - 539 11 12-80 BLOWER ASSEMBLY



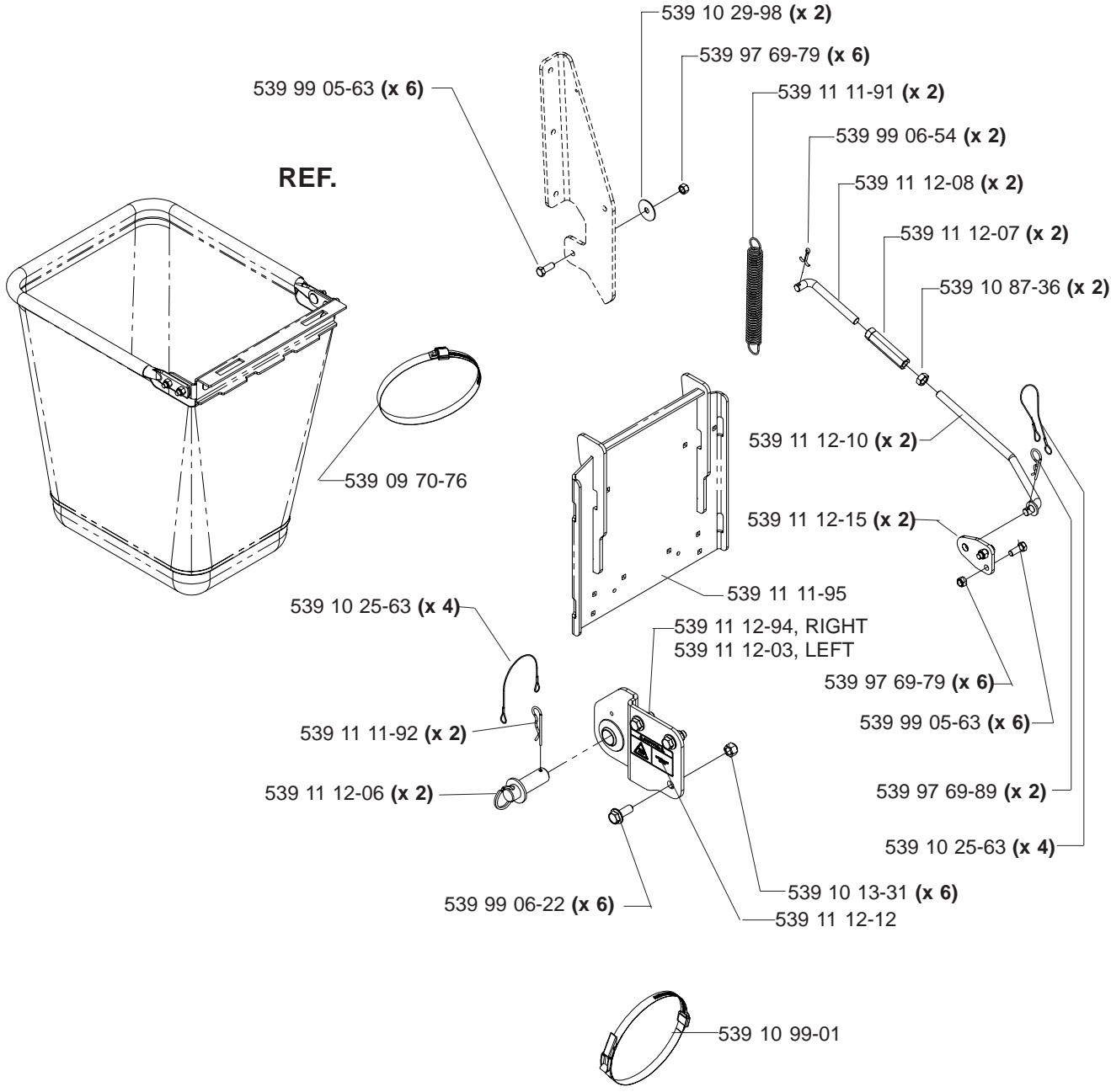
ACCESSORIES

COLLECTION SYSTEM HCS9 - 539 11 12-80 WEIGHT KIT



ACCESSORIES

COLLECTION SYSTEM HCS9 - 539 11 12-80 MOUNTING KIT

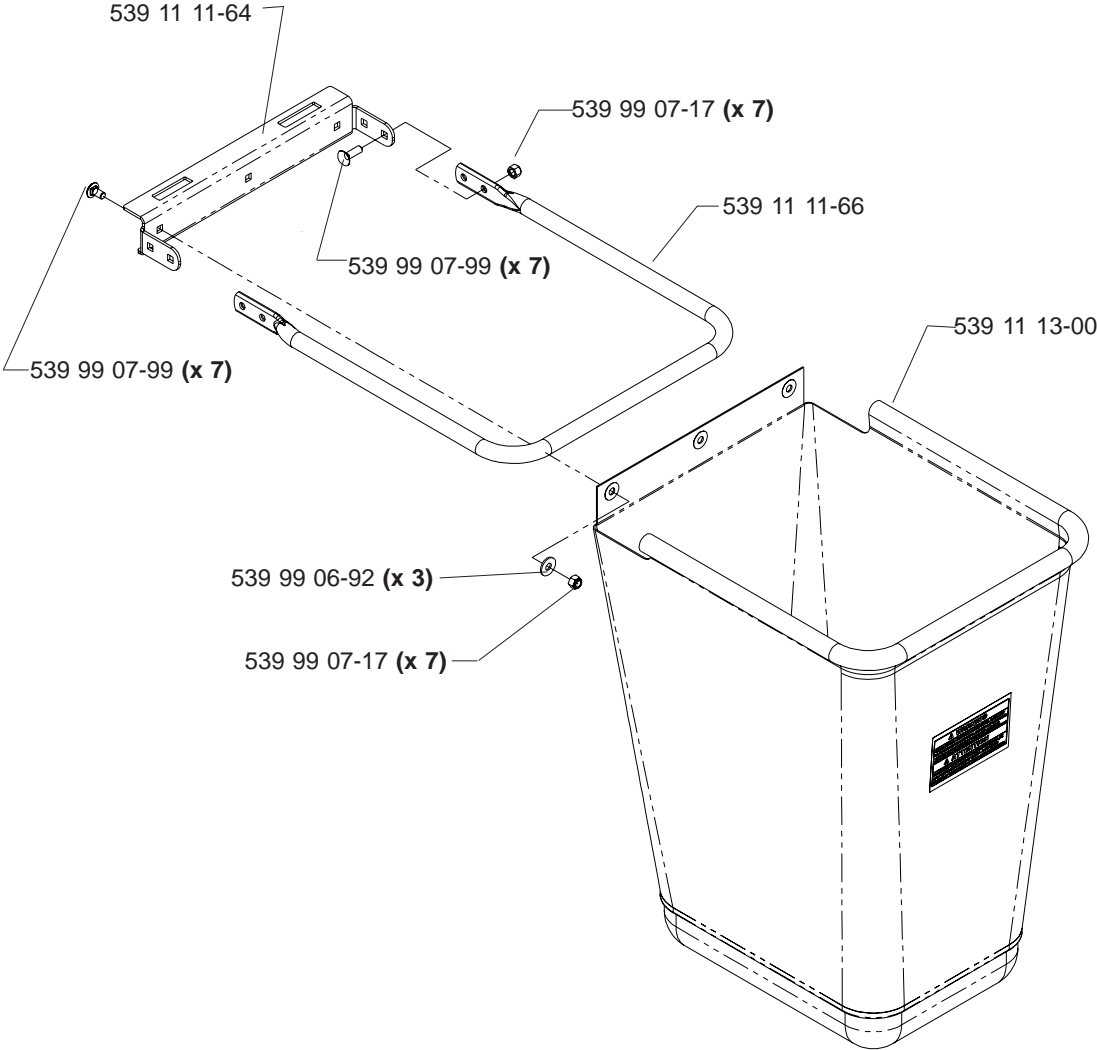


ACCESSORIES

COLLECTION SYSTEM

HCS9 - 539 11 12-80

BAG ASSEMBLY



ACCESSORIES

COLLECTION SYSTEM

HCS9 - 539 11 12-80

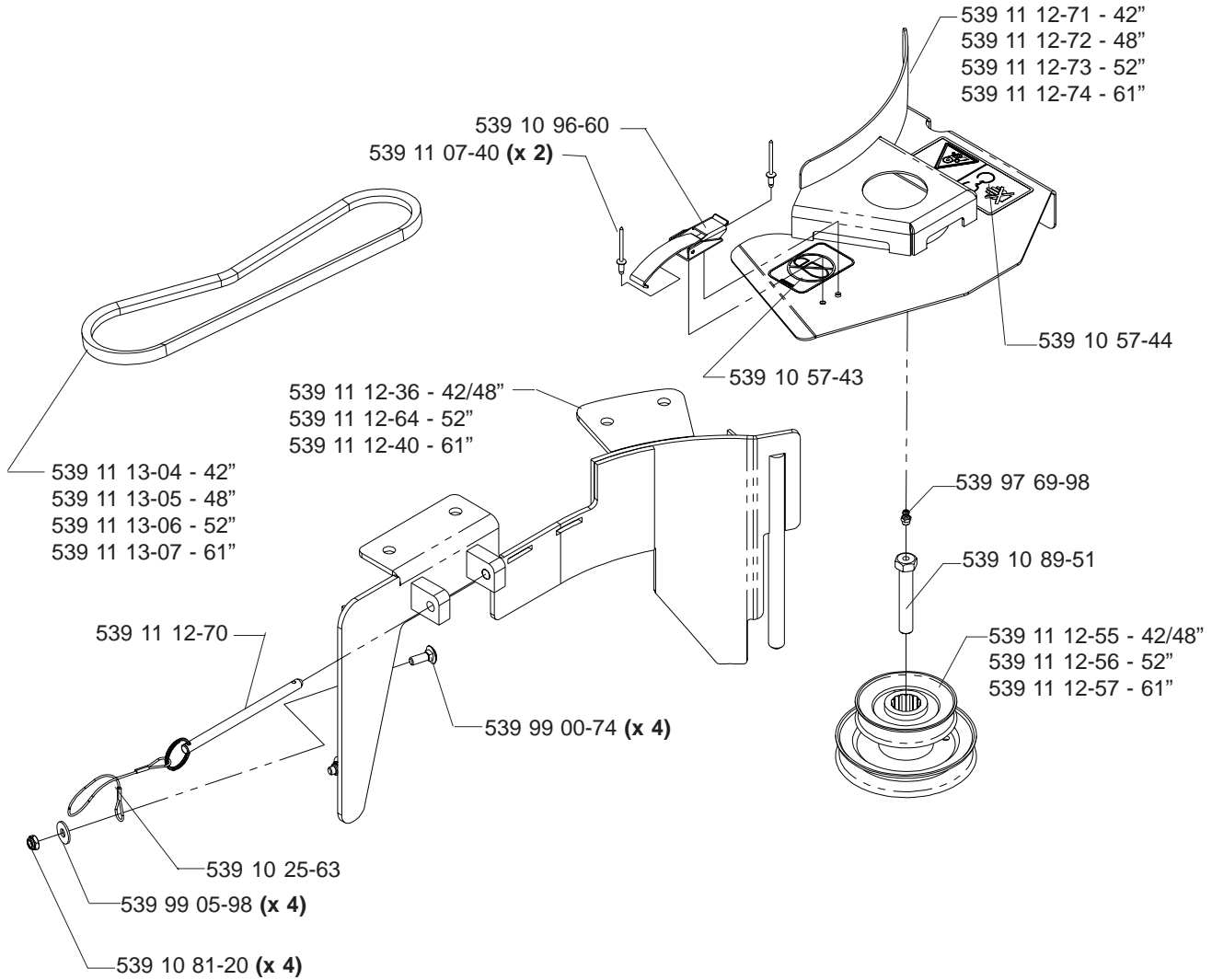
DRIVE KIT ASSEMBLY

539 11 12-75 - 42 INCH DECK

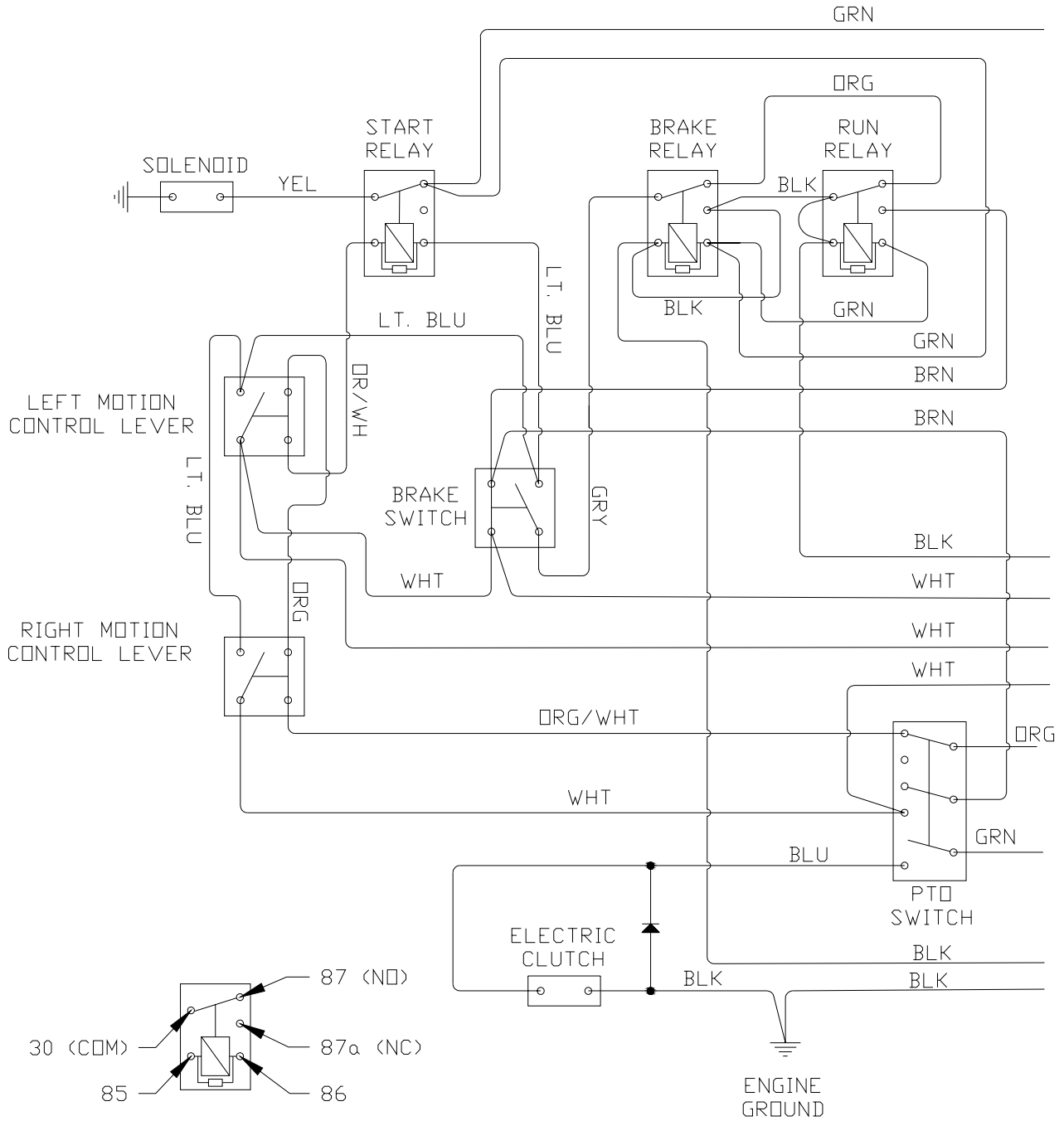
539 11 12-76 - 48 INCH DECK

539 11 12-77 - 52 INCH DECK

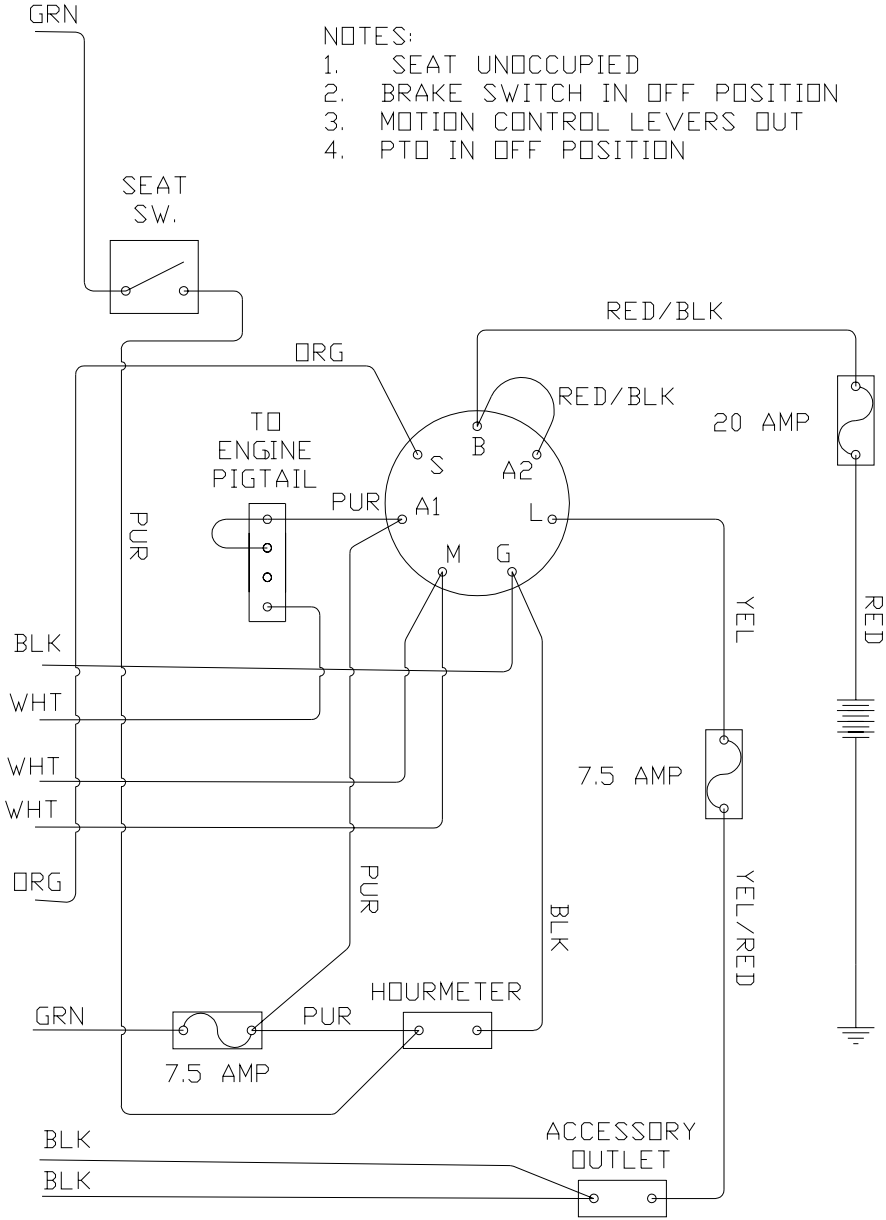
539 11 12-78 - 61 INCH DECK



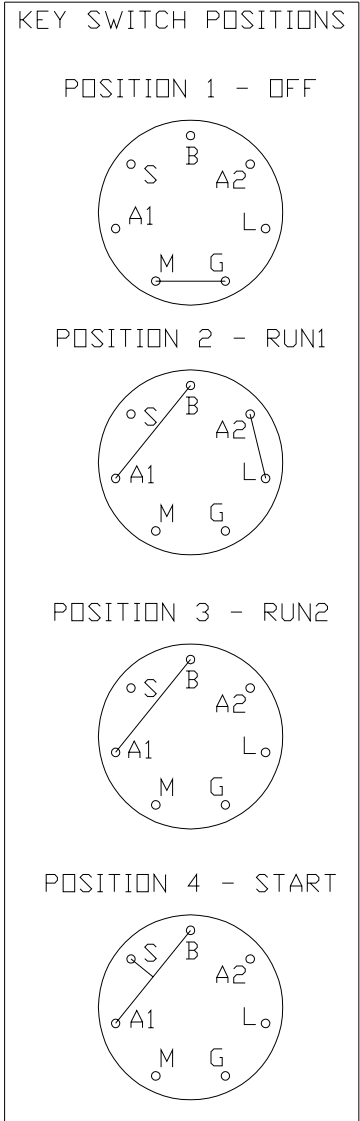
WIRING DIAGRAM



WIRING DIAGRAM



- NOTES:
1. SEAT UNOCCUPIED
 2. BRAKE SWITCH IN OFF POSITION
 3. MOTION CONTROL LEVERS OUT
 4. PTO IN OFF POSITION



PARTS DESCRIPTION

PART NUMBER	DESCRIPTION
539 09 70-76	HOSE CLAMP 6"-& 7"
539 10 01-28	EXHAUST DECAL
539 10 01-41	HCS, 7/16-20 X 1 1/2, GR5
539 10 03-40	BLADE, 16 1/4"
539 10 03-41	BLADE, 18"
539 10 04-13	RHSNB, 3/8-16 X 1 1/4, GR5
539 10 04-72	RHSNB, 5/16C X 1 1/4
539 10 10-50	GRIP
539 10 10-58	SPRING
539 10 10-80	INTERLOCK SWITCH
539 10 11-09	HUB
539 10 11-51	RING, 7/8, RET.
539 10 11-65	FILTER HEAD
539 10 11-73	LUG NUT 1/2F
539 10 11-75	HCS, 7/16-14 X 1 1/2, GR5
539 10 11-76	PULLEY, PUMP
539 10 11-77	KEY, 5MM SQ X 25MM
539 10 12-02	CAP HYDRAULIC RESERVOIR
539 10 12-32	FLANGED BUSHING
539 10 12-37	FITTING, STRAIGHT, F6400-8-8-0
539 10 12-38	FITTING, 90°, F6801-6-6-0
539 10 13-31	NUT, 1/2C, NYLOC
539 10 13-31	NUT 1/2C, NYLOC
539 10 13-32	HCS, 1/2C X 2 3/4
539 10 13-62	OIL DRAIN HOSE
539 10 13-64	OIL DRAIN CAP
539 10 14-68	HEX SLOTTED NUT
539 10 14-74	ZERK
539 10 14-85	BLADE, MULCH, 18"
539 10 14-96	BLADE, MULCH, 16 1/4"
539 10 17-14	SOLENOID (KAWASAKI ONLY)
539 10 17-21	HCS, 5/16-18 X 2 3/4, GR5
539 10 17-33	BLADE, 21"
539 10 17-68	BLADE SWITCH
539 10 17-71	7.5 AMP 32 VOLT ATO FUSE
539 10 18-02	7/8 'E' RING
539 10 18-81	PROP. 65
539 10 19-49	E-RING, 1/2
539 10 20-49	CLEVIS PIN
539 10 20-67	KEY, 1/4" SQ. X 3/4"
539 10 20-86	20 AMP 32 VOLT ATO FUSE
539 10 20-93	BLADE, MULCH, 21"
539 10 22-36	SUPPORT PLATE
539 10 22-43	SUPPORT WASHER
539 10 22-44	BUSHING, MACHINE, 18 GA
539 10 23-35	HCS, 5/16C X 4
539 10 23-96	FITTING, STRAIGHT
539 10 24-15	HUB, W/BRAKE DRUM
539 10 24-63	BATTERY
539 10 24-84	END CAPS
539 10 24-85	FLANGE BEARING
539 10 25-02	STUD

PARTS DESCRIPTION

PART NUMBER	DESCRIPTION
539 10 25-15	GRIP
539 10 25-19	BUSHING
539 10 25-26	HITCH PIN
539 10 25-35	GREASE CAP
539 10 25-43	BEARING
539 10 25-46	TIRE
539 10 25-63	LANYARD
539 10 25-65	LIFTARM
539 10 25-82	WHIZ NUT, 7/16C
539 10 25-87	BUMPER
539 10 25-92	GRIP
539 10 25-93	WASHER, 3/8, SPRING
539 10 26-06	FILTER
539 10 26-12	HCS, 3/8-16 X 2 3/4, GR5
539 10 26-17	SCREW, #10C X 7/8
539 10 26-19	PIVOT PIN
539 10 26-41	LIFT CHAIN
539 10 26-43	ANTI-SCALP ROLLER
539 10 26-50	HOSE BARB, 90°
539 10 26-70	DECAL, FUEL VALVE (NOT SHOWN)
539 10 26-78	TAPPED PLATE
539 10 26-79	VALVE, FUEL
539 10 26-91	FLANGETTE
539 10 26-98	BUSHING
539 10 27-17	SET SCREW, 5/16C X 5/8
539 10 27-33	CHOKE CONTROL
539 10 27-44	RIVET, 3/16 X 1/4
539 10 27-46	PIN-CLEVIS, 3/8 X 2
539 10 27-54	HCS, 3/8-16 X 3 1/2, GR8
539 10 27-57	CABLE POSITIVE (KOHLER ONLY)
539 10 27-58	CABLE NEG.
539 10 27-59	INSULATOR
539 10 27-97	FLANGE BEARING
539 10 28-17	SPRING-BRAKE COMPRESSION
539 10 28-21	PIN-TRUNION
539 10 28-22	BAND-BRAKE
539 10 28-45	SPRING
539 10 28-51	SEAL
539 10 28-52	NUT, 1"-14, SLOTTED JAM
539 10 28-55	HCS 1/2-13 X 7 1/2
539 10 28-56	SPACER
539 10 28-89	PIN, COTTER, 1/8 X 2
539 10 29-14	RELAY
539 10 29-98	FRICTION WASHER
539 10 30-03	TRACKING KNOB
539 10 31-15	"O" RING, 3/4
539 10 31-16	"O" RING, 1/2
539 10 31-17	"O" RING, 3/8
539 10 31-18	"O" RING FLARE, 3/8
539 10 31-19	"O" RING FLARE, 1/2
539 10 32-30	IDLER ARM
539 10 32-56	SPRING
539 10 32-57	IDLER PULLEY

PARTS DESCRIPTION

PART NUMBER	DESCRIPTION
539 10 32-58	IDLER PULLEY (TALL)
539 10 32-64	PUMP CONTROL LINK
539 10 32-75	CONTROL THROTTLE
539 10 32-95	IDLER BUSHING
539 10 32-99	HCS, 5/8-18 X 1 1/4, GR5
539 10 33-03	PAD
539 10 33-06	CABLE POSITIVE, LONG
539 10 33-16	FITTING, F6400-6-6-0
539 10 33-33	DECAL, MOTION CONTROL
539 10 34-27	PIVOT BUSHING
539 10 34-33	HCS, 1/2C X 3 1/4, GR5
539 10 35-27	WHEEL MOTOR, TE14
539 10 35-33	PIN
539 10 35-34	PIN MT, UPPER
539 10 35-47	WASHER
539 10 41-97	STRUT MT WLDMT
539 10 41-99	HCS, 5/8C X 2
539 10 42-88	KEY-COTTER, 4 MM X 45 MM
539 10 43-88	IDLER ARM
539 10 43-92	SEAT HARNESS (NOT SHOWN)
539 10 44-09	FUEL TANK, LEFT (NOT SHOWN)
539 10 44-10	FUEL TANK, RIGHT
539 10 44-11	KNOB W/STUD
539 10 44-15	PIGTAIL FOR ENG. WIRING (KAWASAKI ONLY)
539 10 44-16	PIGTAIL FOR ENG. WIRING (KOHLER ONLY)
539 10 45-30	SPACER
539 10 45-71	CASTER YOKE
539 10 45-72	TIRE & WHEEL ASSEMBLY
539 10 45-73	RIM
539 10 47-22	HOSE, 7"
539 10 47-63	'U' CLIP, 5/16
539 10 48-07	REINF. PLATE
539 10 48-08	LIFT BLOCK
539 10 49-74	CABLE POSITIVE (KAWASAKI ONLY)
539 10 49-80	FUEL HOSE, 16"
539 10 50-24	TANK
539 10 50-24	OIL TANK
539 10 50-29	BRACKET
539 10 50-36	GRIP
539 10 50-39	STUD/PLATE MOUNT
539 10 50-59	LANYARD
539 10 50-71	DECAL, NASCAR
539 10 51-68	CAP
539 10 51-69	KNOB
539 10 51-81	LIFT PEDAL W/PAD
539 10 51-84	TIGHTENING PLATE
539 10 51-87	PAD, NON-SKID
539 10 51-92	SPRING
539 10 52-24	SEAT BKT W/DECAL
539 10 52-81	FUEL HOSE, 29.5"
539 10 53-01	MOBIL DECAL

PARTS DESCRIPTION

PART NUMBER	DESCRIPTION
539 10 54-08	WASHER, #10
539 10 54-86	RIM
539 10 55-27	HOSE, FUEL (RIGHT TANK)
539 10 55-30	HOSE, FUEL (LEFT TANK)
539 10 55-32	SCREW, 1/4-20, SELF TAPPING
539 10 56-37	CLUTCH HARNESS
539 10 57-43	DECAL, NO STEP
539 10 57-44	DECAL, DANGER BELT DRIVES
539 10 57-45	DECAL, BATTERY WARNING
539 10 57-46	DECAL, SEVERING
539 10 57-85	DECAL, WARNING
539 10 58-04	CLUTCH
539 10 59-83	RIM, 12 X 8.5
539 10 61-88	FUEL CAP
539 10 65-04	WASHER, HEAVY
539 10 65-04	HEAVY WASHER
539 10 65-32	GROOVED PIN
539 10 67-13	SHEAVE, 4"
539 10 67-21	IDLER
539 10 67-41	DECAL, SEVERING
539 10 67-86	BEARING
539 10 67-91	HCS 3/8C X 1, GD 8
539 10 68-19	CLUTCH TIE DOWN
539 10 68-73	BRAKE BAND SUPPORT
539 10 68-80	CLUTCH
539 10 68-83	REAR TIRE ASM. (COMPLETE) (FOR Models: 968999256, 968999257, 968999258)
539 10 68-84	DECK BELT
539 10 68-87	BELT, PUMP
539 10 68-96	HYDRAULIC LINE
539 10 68-99	BATTERY HOLD DOWN
539 10 69-33	BRACKET, OIL FILTER
539 10 69-41	FOOT REST
539 10 69-57	SKID PLATE
539 10 69-59	ENGINE GUARD
539 10 69-61	STRAP
539 10 69-62	SPACER
539 10 69-69	BRAKE CROSS SHAFT
539 10 69-71	LINKAGE SHORT
539 10 69-72	LINKAGE
539 10 69-86	CASTER ARM 48" & 52" DECK
539 10 69-89	MOTOR STANDOFF
539 10 69-90	BRAKE WLDMT
539 10 69-92	PULLEY
539 10 72-71	RHSSNB 5/16C X 1
539 10 72-76	PULLEY
539 10 72-77	52 PULLEY
539 10 72-78	PULLEY
539 10 72-89	DECAL, SERVICE
539 10 74-31	TIRE, 23 X 10.5-12
539 10 74-32	TIRE
539 10 75-23	SEAT SWITCH
539 10 75-41	SWITCH, IGNITION

PARTS DESCRIPTION

PART NUMBER	DESCRIPTION
539 10 75-44	KEY, PADDED
539 10 76-27	CAP SLEEVE
539 10 80-16	HOUR METER
539 10 80-96	SPRING RETAINER
539 10 81-20	NUT, 1/4C, THIN NYLOC
539 10 83-31	CASTER ARM 61" DECK
539 10 83-69	HCS, 1/2-13 X 1 1/4
539 10 83-94	HCS, 5/16C, TAP BOLT
539 10 84-49	BOTTOM DUST CAP
539 10 84-50	TOP DUST CAP
539 10 85-54	MOTOR STANDOFF
539 10 86-14	REAR TIRE ASSEMBLY (COMPLETE) (FOR MODELS: 968999254, 968999255)
539 10 86-16	BRAKE LEVER
539 10 86-19	BUSHING
539 10 86-21	BRAKE CROSS SHAFT
539 10 86-37	LINKAGE
539 10 86-56	DECK BELT
539 10 86-59	CONTROL SHAFT
539 10 86-86	48 BELT SHIELD, RIGHT
539 10 86-87	48 BELT SHIELD, LEFT (NOT SHOWN)
539 10 87-36	NUT, 1/2-20, HEX JAM
539 10 87-44	SEAT W/ARMREST
539 10 87-45	SWITCH/SNAP MOUNT KIT (NOT SHOWN)
539 10 87-54	SHAFT SEAL
539 10 87-58	TOP & BOTTOM SPACER
539 10 87-59	SPINDLE
539 10 87-60	SPINDLE
539 10 87-66	HCS, 7/16-20 X 1 1/2, GR5, SPEC.
539 10 87-73	SPINDLE ASM.
539 10 88-81	REAR TIRE ASM. (COMPLETE) (FOR MODEL 968999259)
539 10 89-51	HCS, 7/16-20 X 2 1/2, GR5, SPEC.
539 10 93-44	RIM
539 10 94-93	61 BELT SHIELD, RIGHT
539 10 94-94	61 BELT SHIELD, LEFT (NOT SHOWN)
539 10 96-52	52 BELT SHIELD, RIGHT
539 10 96-53	52 BELT SHIELD, LEFT (NOT SHOWN)
539 10 96-60	DRAW LATCH
539 10 96-63	42 BELT SHIELD, RIGHT
539 10 96-64	42 BELT SHIELD, LEFT (NOT SHOWN)
539 10 96-81	BLADE, 14 5/8"
539 10 96-93	LIFT CHAIN - 3 LINK
539 10 96-99	BLADE, MULCH, 14 5/8
539 10 98-67	DOUBLE TUBE CLAMP
539 10 99-01	OVER CENTER BAND
539 10 99-55	LIFT SHAFT, REAR
539 10 99-56	LIFT SHAFT, FRONT
539 10 99-61	LEVER WLDMT
539 11 00-33	WASHER, #10
539 11 06-03	BALL JOINT, RIGHT
539 11 06-04	BALL JOINT, LEFT

PARTS DESCRIPTION

PART NUMBER	DESCRIPTION
539 11 06-06	DAMPENER
539 11 06-07	BALL STUD
539 11 06-38	CONTROLARM
539 11 06-44	SEAT LATCH
539 11 06-45	SPRING, TORSION
539 11 06-46	SEAT LATCH ROD
539 11 06-49	PUMP
539 11 07-00	42" BAFFLE, LEFT
539 11 07-02	42" BAFFLE, RIGHT
539 11 07-04	42" MULCH CAP
539 11 07-05	48" BAFFLE, LEFT
539 11 07-07	48" BAFFLE, RIGHT
539 11 07-09	48" MULCH CAP
539 11 07-10	52" BAFFLE, LEFT
539 11 07-12	52" BAFFLE, RIGHT
539 11 07-14	52" MULCH CAP
539 11 07-15	61" BAFFLE, LEFT
539 11 07-17	61" BAFFLE, RIGHT
539 11 07-19	61" MULCH CAP
539 11 07-31	DISCHARGE CHUTE, 42"
539 11 07-32	DISCHARGE CHUTE, 48"
539 11 07-33	DISCHARGE CHUTE, 52"
539 11 07-34	DISCHARGE CHUTE, 61"
539 11 07-35	SPRING, TORSION
539 11 07-35	SPRING, TORSION
539 11 07-36	PIN, CLEVIS, 5/16 X 5 3/16
539 11 07-36	PIN, CLEVIS, 5/16 X 5 3/16
539 11 07-40	RIVET, BLIND, DOME STYLE, 5/32 DIA.
539 11 08-03	ADJUSTMENT PLATE
539 11 08-06	STRUT, RIGHT
539 11 08-07	STRUT, LEFT (NOT SHOWN)
539 11 08-08	DECK LIFT LINK
539 11 08-11	DAMPENER ARM
539 11 08-13	RETAINER, 1/4C, "U" TYPE
539 11 08-14	TANK MOUNT
539 11 08-15	PUSH MT. WIRE CLIP
539 11 08-16	SEAT MOUNT
539 11 08-19	CLEVIS PIN
539 11 08-21	SEAT PAN
539 11 08-23	WHEEL MOTOR
539 11 08-26	DRIVE LEVER, RIGHT
539 11 08-27	DRIVE LEVER, LEFT
539 11 08-32	DECK BELT
539 11 08-37	"T" ASSEMBLY
539 11 09-43	NUT, 5/16F, NYLOC
539 11 09-50	HARNESS, FRAME
539 11 09-56	DECAL, CONSOLE
539 11 09-67	DECAL, BELT ROUTING
539 11 09-73	DECAL, HEIGHT ADJ.

PARTS DESCRIPTION

PART NUMBER	DESCRIPTION
539 11 09-74	DECAL, TRACKING
539 11 10-26	SEAT BELT (NOT SHOWN)
539 11 10-30	DRIVE CONTROL, RIGHT
539 11 10-31	DRIVE CONTROL, LEFT
539 11 10-36	LANYARD W/PIN, 1/2"
539 11 10-39	SPRING
539 11 10-47	DECAL, HUSQVARNA
539 11 10-55	DECAL, CROWN
539 11 10-58	DECAL, iZ4821
539 11 10-59	DECAL, iZ6123
539 11 10-64	DECAL, iZ5223
539 11 10-65	DECAL, iZ4817
539 11 10-70	DECAL, iZ4217
539 11 10-98	FRAME W/DECALS
539 11 11-47	CONSOLE W/DECALS
539 11 11-55	HITCH
539 11 11-57	MOUNT Z BRACE
539 11 11-58	SUPPORT, OUTER
539 11 11-62	SUPPORT ARM
539 11 11-64	HANGER, BAG
539 11 11-66	TUBE, BAG FRAME
539 11 11-67	SEAL, RUBBER
539 11 11-71	SEAL STRAP
539 11 11-72	HOOD
539 11 11-74	HOOD SUPPORT
539 11 11-75	SUPPORT, DRAW LATCH
539 11 11-77	HOOD HINGE
539 11 11-81	MOUNT PLATE
539 11 11-82	INLET TUBE
539 11 11-83	MESH, POLY DIAMOND
539 11 11-84	BELT GUIDE
539 11 11-86	SCREW, #10-24 X 1 1/8, MACH.
539 11 11-87	NUT, 1/2-13, WHIZLOCK
539 11 11-90	LATCH
539 11 11-91	SPRING
539 11 11-92	HAIRPIN
539 11 11-95	REAR GUARD
539 11 12-03	HITCH BRACKET, LEFT (NOT SHOWN)
539 11 12-06	HITCH PIN
539 11 12-07	TURNBUCKLE, 1/2"
539 11 12-08	SUPPORT LINKAGE, LH
539 11 12-10	SUPPORT LINKAGE
539 11 12-12	DECAL, HOT SURFACE
539 11 12-15	SUPPORT BRACKET
539 11 12-18	IDLER ARM
539 11 12-20	BLOWER HOUSING
539 11 12-25	FLOOR WELDMENT
539 11 12-27	BEARING PLATE
539 11 12-28	PULLEY SHIELD
539 11 12-29	SCREW, 1/4-20 X 5/8, BTN, SKT HD
539 11 12-36	BLOWER DECK PLATE, 42/48
539 11 12-40	BLOWER DECK PLATE, 61
539 11 12-55	PULLEY, STACKED DOUBLE, 42/48
539 11 12-56	PULLEY, STACKED DOUBLE, 52
539 11 12-57	PULLEY, STACKED DOUBLE, 61

PARTS DESCRIPTION

PART NUMBER	DESCRIPTION
539 11 12-60	DECAL, VENTILATION
539 11 12-64	BLOWER DECK PLATE, 52
539 11 12-65	KEEPER, IDLER
539 11 12-67	BRACKET, SUPPORT
539 11 12-70	PIN
539 11 12-71	BELT SHIELD W/DECALS & LATCH, 42"
539 11 12-72	BELT SHIELD W/DECALS & LATCH, 48"
539 11 12-73	BELT SHIELD W/DECALS & LATCH, 52"
539 11 12-74	BELT SHIELD W/DECALS & LATCH, 61"
539 11 12-94	HITCH BRACKET W/DECALS, RIGHT
539 11 13-00	BAG, SMALL
539 11 13-04	BELT, 42
539 11 13-05	BELT, 48
539 11 13-06	BELT, 52
539 11 13-07	BELT, 61
539 11 13-13	HOLD DOWN, WEIGHT BAR
539 11 13-14	HOSE, 54", MODEL HCS9
539 11 13-31	FAN COVER
539 11 13-32	FAN WELDMENT
539 11 13-37	WEIGHT BAR
539 11 13-39	HOOD SUPPORT, REAR
539 11 13-40	BLOWER SUPPORT
539 11 13-75	42" DECK W/DECALS
539 11 13-76	48" DECK W/DECALS
539 11 13-77	52" DECK W/DECALS
539 11 13-78	61" DECK W/DECALS
539 11 14-34	BACK, HARD PLASTIC PREM SEAT (NOT SHOWN)
539 11 14-43	ROPS, COMPLETE W/SEAT BELT
539 11 15-60	DECAL, TUNNELRAM
539 11 15-61	DECAL, TUNNELRAM
539 11 15-73	FOOT PLATE W/DECAL
539 11 15-75	DECAL, WARNING
539 11 15-97	DECAL, RELAYS
539 11 16-10	FRONT BAFFLE, RIGHT
539 11 16-13	FRONT BAFFLE, LEFT
539 11 16-15	FRONT BAFFLE, RIGHT
539 11 16-17	FRONT BAFFLE, LEFT
539 11 16-19	FRONT BAFFLE, RIGHT
539 11 16-21	FRONT BAFFLE, LEFT
539 11 16-23	42" FRONT BAFFLE, RIGHT
539 11 16-25	42" FRONT BAFFLE, LEFT
539 11 18-12	DECAL, TUNNELRAM
539 11 18-14	"T" ASSEMBLY
539 11 19-46	SEAT, COMPLETE
539 11 19-49	BELT
539 11 20-34	HCS, 7/16-20 X 3/4
539 11 20-35	ARM REST KIT, RIGHT
539 11 20-36	ARM REST KIT, LEFT
539 11 20-37	TRACK ADJUSTMENT KIT
539 20 01-00	NUT, 1/2-13, CENTERLOCK
539 20 02-82	NUT, 3/8-16, JAM NYLOC
539 20 04-78	DRAW LATCH, FLEXIBLE T-HANDLE
539 91 30-10	DECAL, DANGER
539 91 61-59	SPRING

PARTS DESCRIPTION

PART NUMBER	DESCRIPTION
539 20 06-84	RIVET, 1/4 STAVEX
539 88 03-16	RHSNB, 5/16 X 3/4
539 91 22-22	CLAMP, HOSE
539 91 22-34	VALVE STEM
539 91 22-34	VALVE STEM
539 91 27-57	KEY, 1/4 SQ X 1 1/4
539 92 37-87	BUSHING, MACH.
539 97 66-88	IDLER PULLEY
539 97 66-95	IDLER FLANGE BUSHING
539 97 68-56	WIRE TIE (NOT SHOWN)
539 97 69-34	HCS 5/16-18 X 3/4, GR5
539 97 69-52	SCREW 310-24 X 5/8
539 97 69-77	NUT, #10-24, NYLOC
539 97 69-78	NUT, 1/4C, NYLOC
539 97 69-79	NUT, 3/8C, NYLOC
539 97 69-89	HAIRPIN, #4
539 97 69-97	ZERK
539 97 69-98	ZERK, STRAIGHT, 1/4-28
539 97 72-50	SPRING
539 97 73-26	GREASE POPET
539 97 74-65	YOKE, 3/8-24
539 97 77-03	CLEVIS PIN, 3/8 X 1 1/8
539 97 77-78	PAD, ABRASIVE
539 99 00-52	LOCKWASHER, 1/4
539 99 00-53	LOCKWASHER, 1/4, INTERNAL TOOTH
539 99 00-72	HCS, 1/4C X 5/8
539 99 00-74	RHSNB, 1/4-20 X 3/4, GR2
539 99 01-18	LOCKWASHER, 3/8
539 99 01-22	WASHER, 3/8, SAE
539 99 01-55	NUT, 3/8F
539 99 01-84	NUT, 5/16C, CENTERLOCK
539 99 01-87	LOCKWASHER, 5/16
539 99 01-88	WASHER, 5/16, SAE
539 99 01-96	NUT, 5/16C
539 99 01-96	NUT, 5/16C
539 99 02-08	RHSNB, 5/16-18 X 1, GR5
539 99 02-09	HCS, 5/16C X 1
539 99 02-23	NUT, 5/16-24
539 99 02-47	LOCKWASHER, 7/16
539 99 02-54	WASHER, 1/2
539 99 02-54	LOCKWASHER, 1/2
539 99 02-58	NUT, 1/2C
539 99 02-97	COTTER PIN
539 99 03-33	LOCKWASHER, 5/8
539 99 03-62	TFS 1/4C X 5/8
539 99 03-65	PIN, COTTER, 1/8 X 3/4
539 99 03-72	NUT 1/4C CENTERLOCK
539 99 04-11	HCS, #10-24 X 1/2
539 99 05-17	WASHER, 3/8
539 99 05-46	NUT, 3/8C, CENTERLOCK
539 99 05-50	WASHER, 1/2
539 99 05-63	HCS, 3/8-16 x 1, GR5
539 99 06-22	HCS 1/2 X 1 1/4, SERR WASHER
539 99 06-25	NUT, 1/2, JAM

PARTS DESCRIPTION

PART NUMBER	DESCRIPTION
539 99 05-82	HCS, 3/8C X 1, SER.
539 99 05-85	NUT, 5/16C
539 99 05-88	HCS 3/8C X 2
539 99 05-98	WASHER, 1/4
539 99 06-13	NUT, 3/8C, WHIZ
539 99 06-13	NUT, 3/8C, WHIZ
539 99 06-27	HCS, 5/16-18 X 1 1/4, GR5
539 99 06-37	HCS, 3/8C X 2 1/2
539 99 06-45	RHSNB, 3/8-16 X 1
539 99 06-54	COTTER PIN, 5/32 X 1 1/4
539 99 06-55	HCS, 3/8-16 X 1 1/2
539 99 06-69	HCS, 5/16C X 1 3/4
539 99 06-92	WASHER, 5/16
539 99 07-17	NUT, 5/16C, NYLOC
539 99 07-30	HCS, 3/8-16 X 1 3/4
539 99 07-61	NUT1/4C CENTER LOCK
539 99 07-99	RHSNB, 5/16-18 X 5/8, GR5
539 99 08-70	RETAINING RING
539 99 10-03	HCS, 1/4-20 X 1 3/4
539 99 10-34	#10 X 1/2 SELF TAPPING
539 99 10-43	BUSHING, 5/8 MACH.
539 99 10-73	NUT, 5/16F, LEFT HAND
539 99 11-20	HCS, 7/16F X 2 1/2
539 99 96-37	HCS 3/8C X 2 1/2
540 09 25-31	CAST COUNTERWEIGHT

