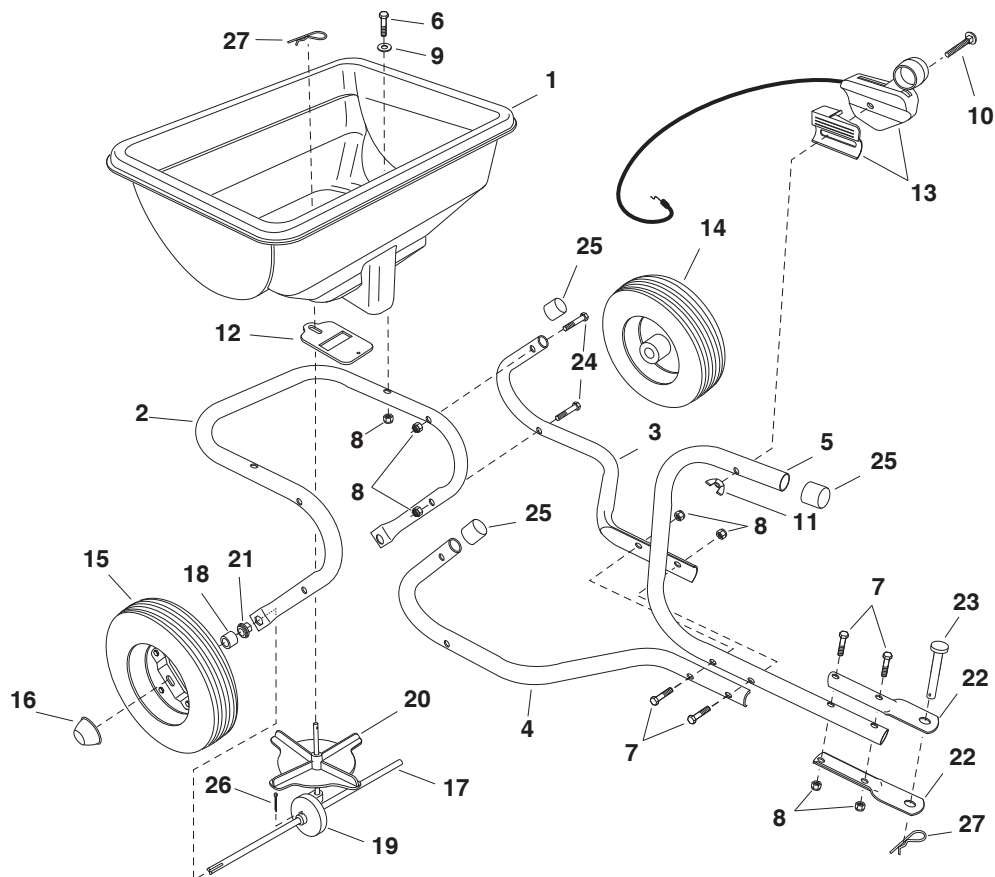


REPAIR PARTS FOR BROADCAST SPREADER MODEL 954 12 00-46



REF	PART NO	QTY	DESCRIPTION	REF	PART NO	QTY	DESCRIPTION
1	531 00 76-74	1	Hopper	14	581 83 72-01	1	Wheel
2	581 83 67-01	1	Frame Tube	15	581 83 73-01	1	Drive Wheel
3	581 83 68-01	1	Hitch Tube (LH)	16	581 83 74-01	2	Hub Cap (Push Nut)
4	581 83 69-01	1	Hitch Tube (RH)	17	531 00 76-91	1	Axle
5	581 83 70-01	1	Hitch Control Tube	18	531 00 76-90	2	Spacer
6	577 15 85-01	2	Hex Bolt, 1/4-20 x 1-1/2"	19	531 00 76-91	1	Gearbox
7	577 15 84-01	4	Hex Bolt, 1/4-20 x 1-3/4"	20	531 00 76-91	1	Impeller
8	504 06 60-01	10	Nylock Nut, 1/4-20	21	531 00 76-58	2	Hex Flange Bearing
9	522 83 59-01	2	Washer, 1/4 Std	22	531 00 81-41	2	Hitch Bracket
10	581 83 71-01	1	Carriage Bolt 1/4-20 x 2"	23	531 00 81-18	1	Hitch Pin
11	580 74 52-01	1	Nylon Wing Nut 1/4-20	24	577 16 15-01	4	Hex Bolt, 1/4-20 x 2"
12	531 00 76-59	1	Flow Slide	25	531 00 28-42	3	Vinyl Cap
13	579 48 62-01	1	Control Cable Asembly (includes items 10 & 11)	26	581 83 75-01	1	Cotter Pin, 9/64 x 1-1/2"
				27	580 74 44-01	2	Hairpin, Cotter