

Kohler 18 hp

Spare parts

Ersatzteile

Pièces détachées

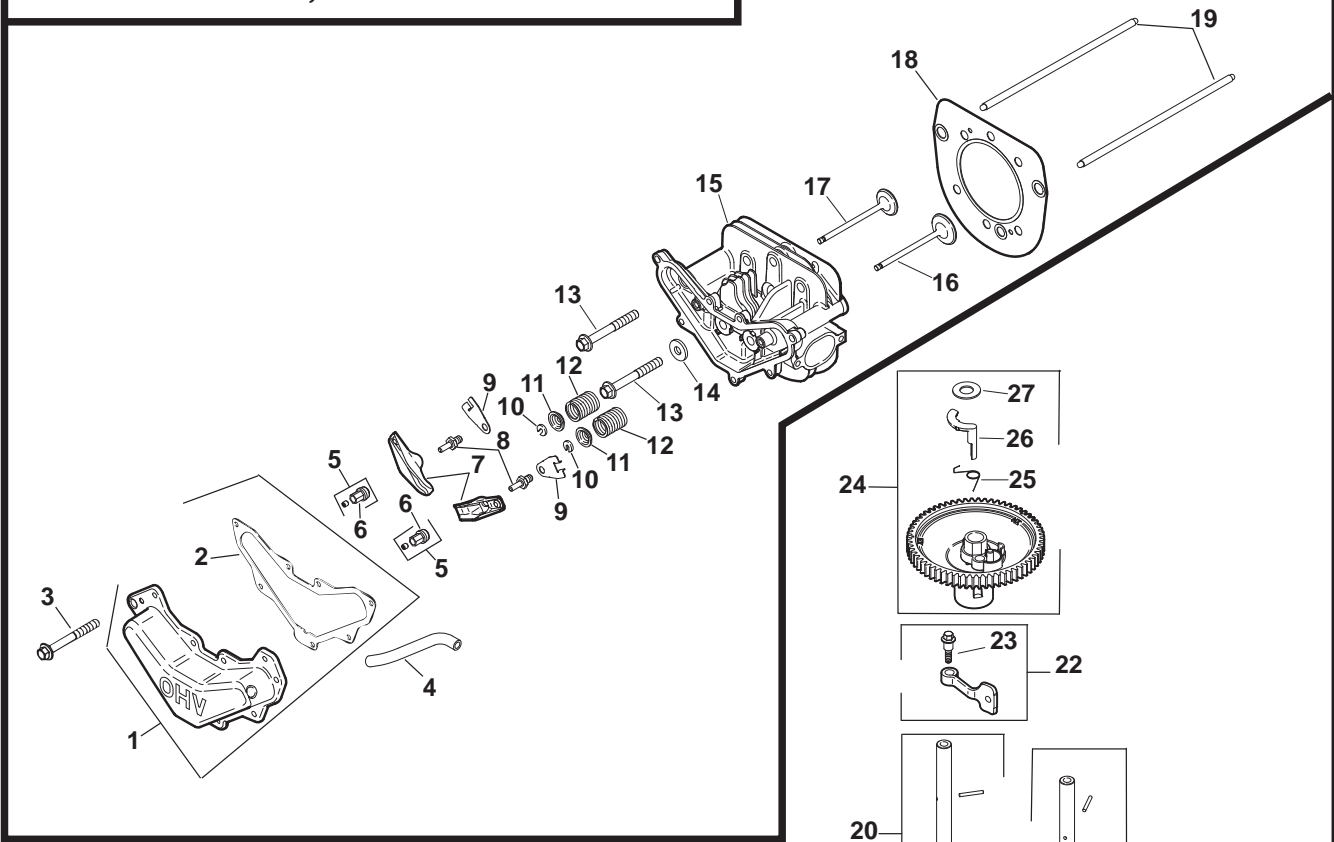
Reserve onderdelen

Repuestos

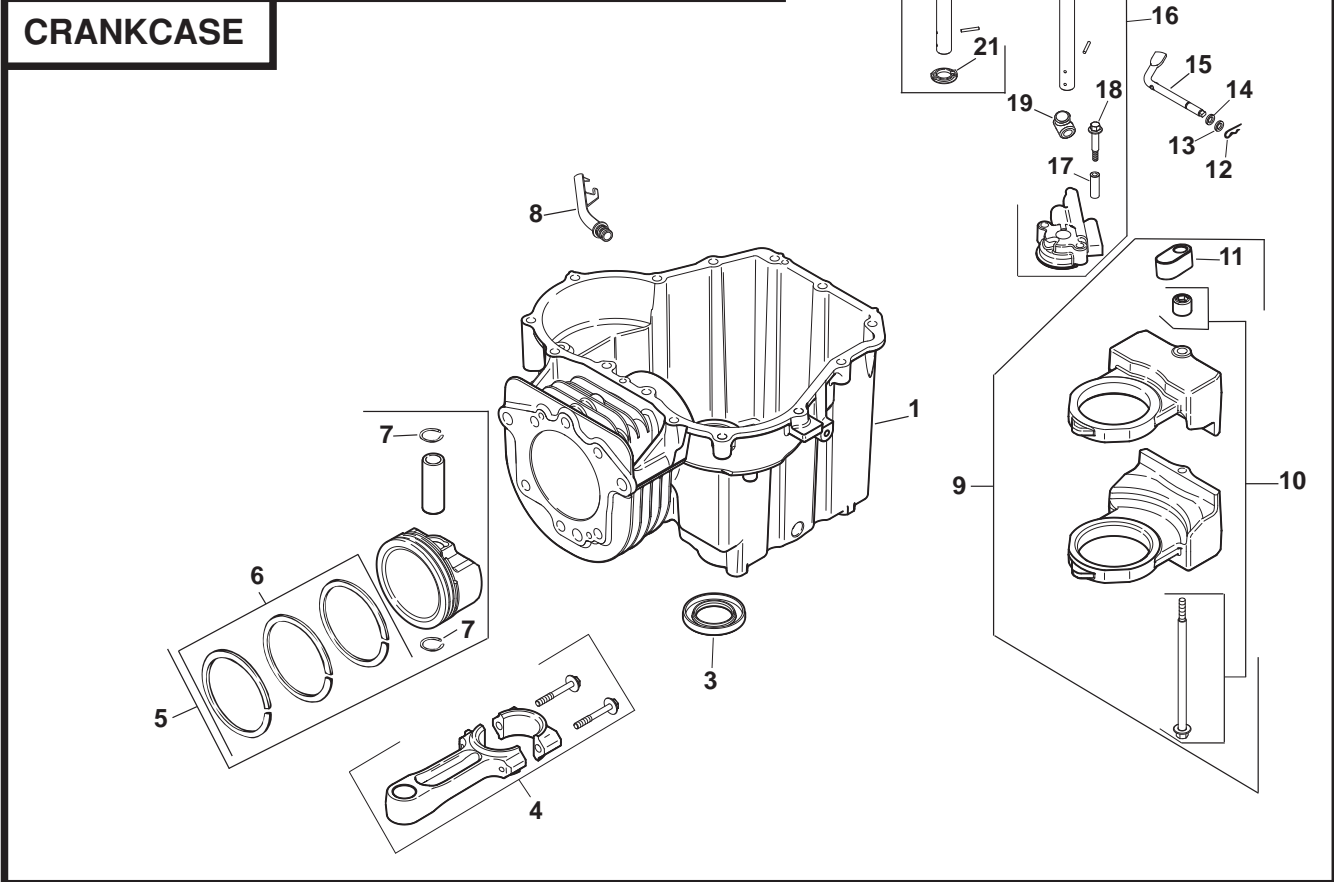
Reservdelar

KOHLER ENGINE - MODEL NO. SV540, TYPE NO.0002

CYLINDER HEAD, VALVE AND BREATHER



CRANKCASE



KOHLER ENGINE - MODEL NO. SV540, TYPE NO.0002

HEAD/VALVE/BREATHER

KEY NO.	PART NO.	DESCRIPTION
1	531 02 95-53	Kit, valve cover (Includes 2)
2	531 02 95-54	Gasket, valve cover
3	531 02 95-55	Screw, hex. flange M6x1.0x20 (7)
4	531 02 95-56	Hose, breather
5	531 02 95-57	Kit, rocker arm pivot (2) (Includes 6)
6	531 02 95-58	Screw, set (2)
7	531 02 95-59	Arm, rocker (2)
8	531 02 95-60	Screw, set - rocker pivot (2)
9	531 02 95-61	Plate, push rod guide (2)
10	531 02 95-62	Kit, retainer (2) (Includes 6)
11	531 02 95-63	Cap, valve spring (2)
12	531 02 95-64	Spring, valve (2)
13	531 02 95-65	Screw, hex. flange M10x1.5x37 (6)
14	531 02 95-66	Washer, flat 1/2"
15	531 02 95-67	Head, cylinder
16	531 02 95-68	Valve, exhaust
17	531 02 95-69	Valve, intake
18	531 02 98-72	Kit, cylinder head gasket repair (Includes carburetor gasket, air cleaner base gas ket, heat deflector gasket, valve cover gasket, flat washer, & cylinder head screw
19	531 02 95-71	Rod, push (2)

NOTE: All component dimensions given in U.S. inches
1 inch = 25.4 mm

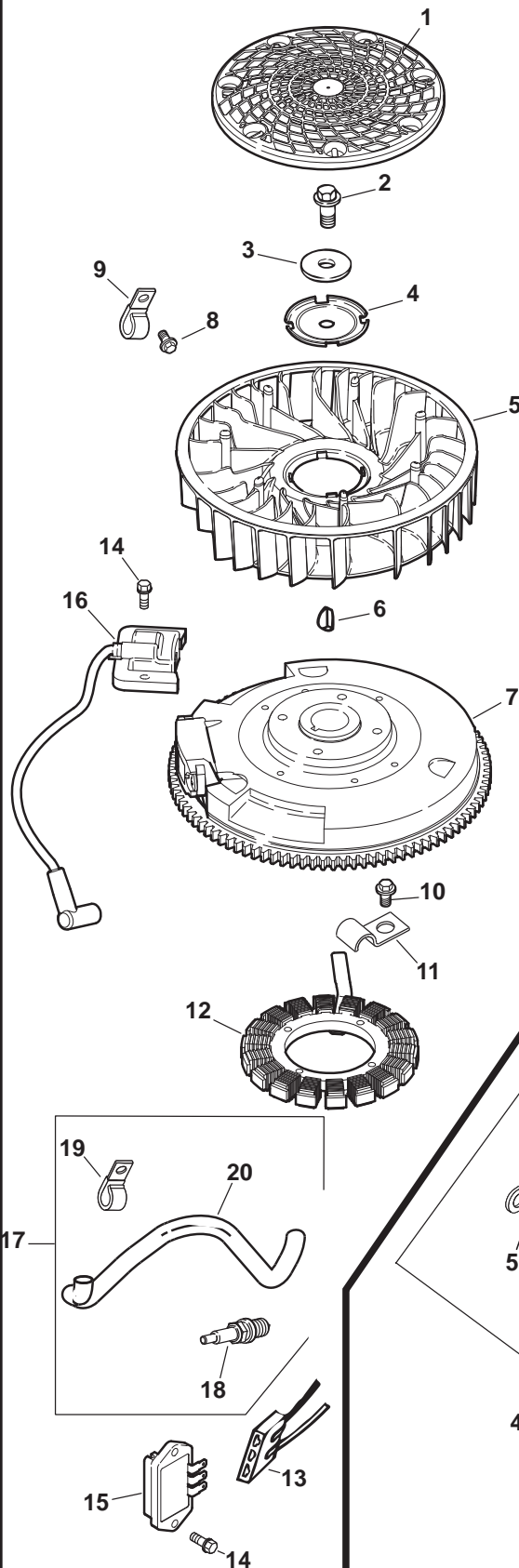
CRANKCASE

KEY NO.	PART NO.	DESCRIPTION
1		Crankcase (USE: Short Block 531 02 95-10)
3	531 02 95-14	Seal, oil
4	531 02 95-16	Rod, connecting
5	531 02 95-77	Piston w/Ring Set (Includes 6,7)
6	531 02 96-86	Ring Set (89 mm)
7	531 02 95-19	Retainer, piston pin (2)
8	531 02 98-85	Tube, drain back
9	531 02 95-20	Kit, balance weight (Includes 10,11)
10	531 02 95-21	Kit, screw/guide pin
11	531 02 95-22	Shoe, guide
12	531 02 95-23	Clip, hitch pin
13	531 02 95-24	Washer, plain 6 mm
14	531 02 95-39	Washer, plain
15	531 02 95-25	Shaft, governor cross
16	531 02 98-39	Pump assembly, oil (Includes 17-20)
17	531 02 95-27	Spacer, oil pump screw (2)
18	531 02 95-28	Screw, oil pump (2)
19	531 02 97-58	Seal, oil pump outlet
20	531 02 98-77	Kit, cam shaft center - exhaust (Includes 21)
21	531 02 95-32	Washer, thrust
22	531 02 95-33	Lever assembly, cam (2) (Includes 23)
23	531 02 95-34	Screw, shoulder
24	531 02 95-35	Gear assembly, cam (Includes 25-28)
25	531 02 95-36	Spring, ACR
26	531 02 95-37	Weight, ACR
27	531 02 95-38	Washer, thrust - ACR (2)

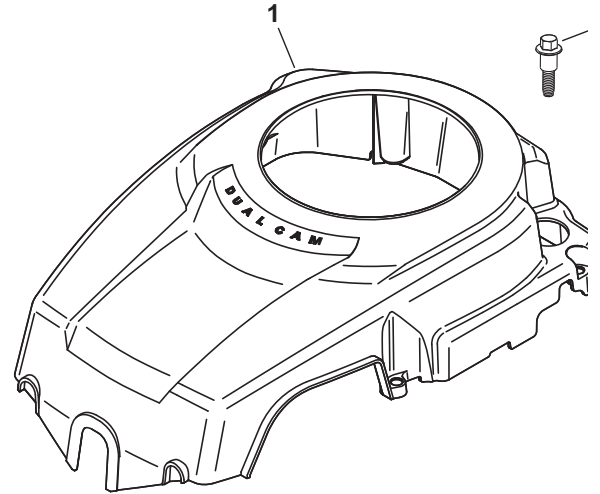
NOTE: All component dimensions given in U.S. inches
1 inch = 25.4 mm

KOHLER ENGINE - MODEL NO. SV540, TYPE NO.0002

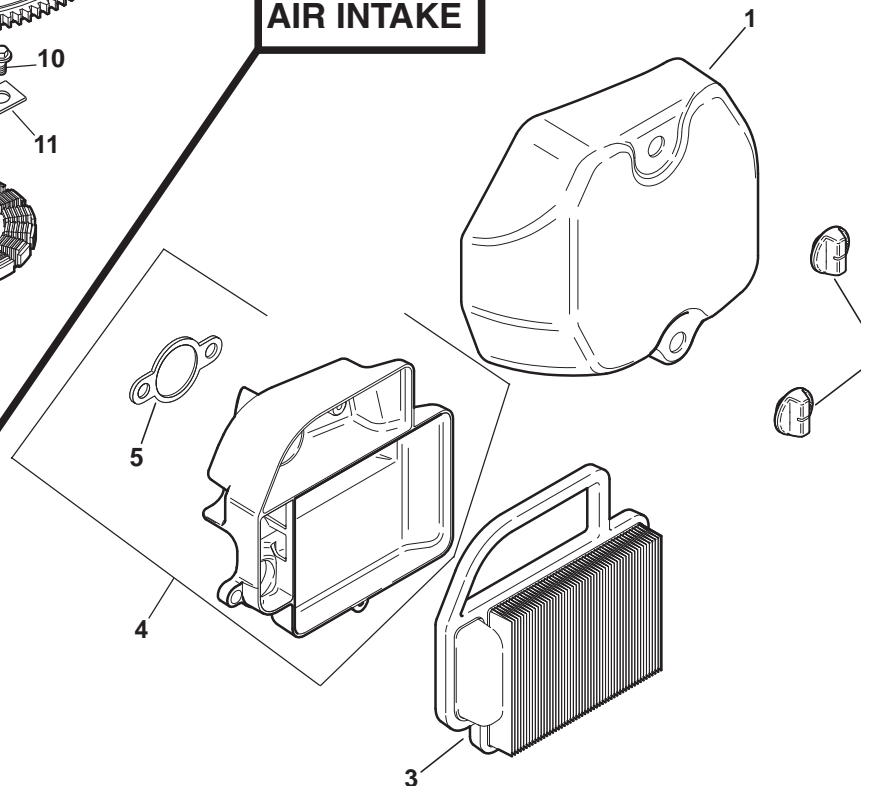
IGNITION/ELECTRICAL



BLOWER HOUSING AND BAFFLES



AIR INTAKE



KOHLER ENGINE - MODEL NO. SV540, TYPE NO.0002

IGNITION/ELECTRICAL

KEY NO.	PART NO.	DESCRIPTION
1	531 02 95-72	Screen, grass
2	531 02 95-73	Screw, hex. flange M10x1.5x46
3	531 02 95-74	Washer, spring 3/16"
4	531 02 95-75	Plate, fan mounting
5	531 02 95-76	Fan
6	531 02 95-11	Key, woodruff
7	531 02 95-78	Flywheel
8	531 02 95-79	Screw, hex. flange M5x0.8x25 (4)
9	531 02 95-80	Clip, cable (2)
10	531 02 98-87	Screw (2)
12	531 02 95-82	Kit, stator
11	531 02 98-25	Clip, wire
13	531 02 95-83	Connector, body
14	531 02 95-84	Screw, hex. flange M5x0.8x20 (2)
15	531 02 98-19	Rectifier-regulator
16	531 02 95-87	Module, ignition
17	531 02 97-73	Kit, Courage RFI suppression (Includes 18-20)
18	531 02 97-76	Plug, spark
19	531 02 97-85	Clip, cable
20	531 02 97-99	Tube, RFI shield

NOT ILLUSTRATED

531 02 95-88 Harness, wiring

NOTE: All component dimensions given in U.S. inches
1 inch = 25.4 mm

BLOWER HOUSING & BAFFLES

KEY NO.	PART NO.	DESCRIPTION
1	532 02 95-89	Housing, blower
2	531 02 95-34	Screw, shoulder M5x0.8x36 (4)

NOT ILLUSTRATED

531 02 98-66 Decal, 18 HP (SV540)
531 02 98-42 Decal, clear lamination

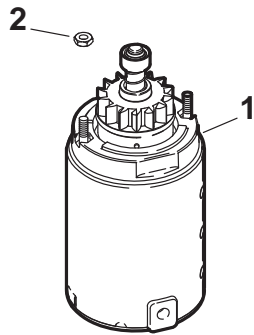
AIR INTAKE/FILTRATION

KEY NO.	PART NO.	DESCRIPTION
1	531 02 97-25	Cover, air cleaner
2	531 02 98-38	Knob, cover (2)
3	531 02 95-01	Element, air cleaner
4	531 02 96-29	Kit, air cleaner base (Includes 6)
5	531 02 96-00	Gasket, air cleaner base

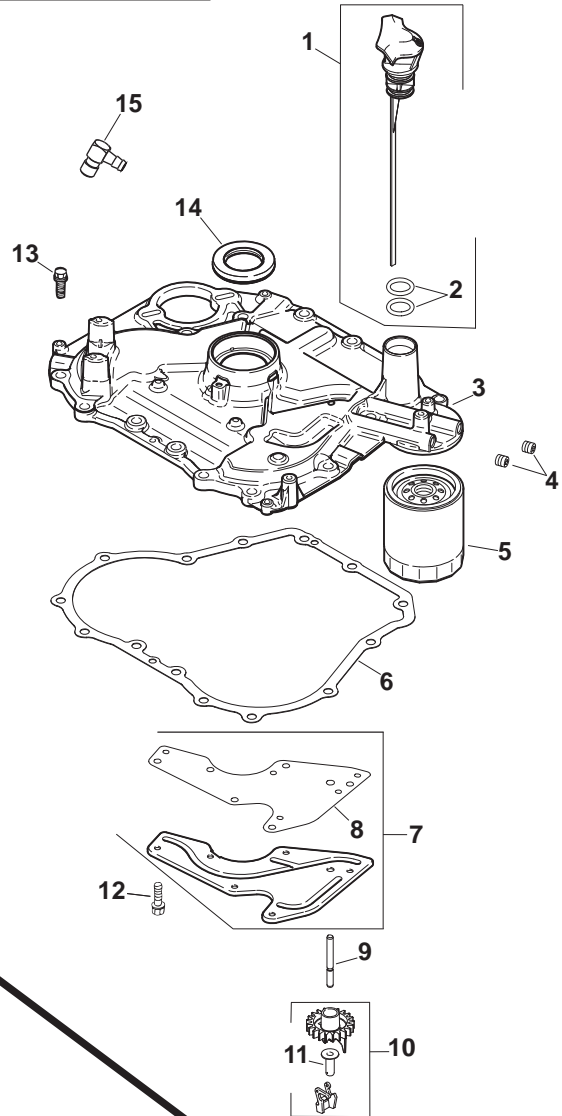
NOTE: All component dimensions given in U.S. inches
1 inch = 25.4 mm

KOHLER ENGINE - MODEL NO. SV540, TYPE NO.0002

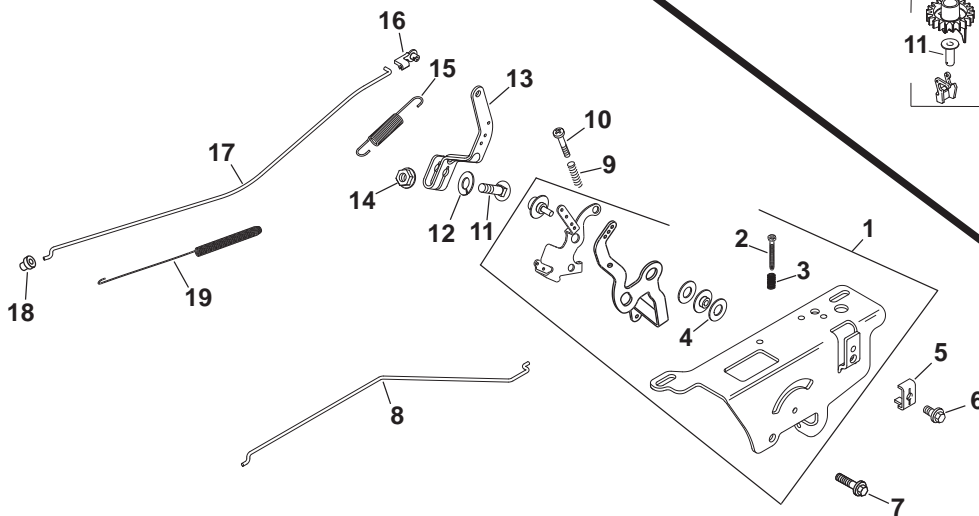
STARTING SYSTEM



OIL PAN/LUBRICATION



ENGINE CONTROLS



KOHLER ENGINE - MODEL NO. SV540, TYPE NO.0002

STARTING SYSTEM

KEY NO.	PART NO.	DESCRIPTION
1	531 02 95-93	Starter assembly, inertia drive
2	531 02 95-94	Nut, hex. serrated flange (2)

OIL PAN/LUBRICATION

KEY NO.	PART NO.	DESCRIPTION
1	531 02 95-40	Kit, dipstick assembly (Includes 2)
2	531 02 95-41	O-Ring, dipstick (2)
3	531 02 95-42	Plate assembly, closure (Includes 4,10,11)
4	531 02 95-43	Plug, pipe 1/8" hex. ctsk. (2)
5	531 02 95-03	Filter, oil
6	531 02 95-44	Gasket, closure plate
7	531 02 95-45	Kit, oil passage cover (Includes 8)
8	531 02 95-46	Gasket, oil passage
9	531 02 95-47	Shaft, governor gear
10	531 02 95-48	Kit, gear and weight assembly (Includes 11)
11	531 02 95-49	Pin, governor regulating
12	531 02 95-50	Screw, hex. flange M5x0.8x13 (6)
13	531 02 95-51	Screw, hex. flange M8x1.25x30 (14)
14	531 02 95-14	Seal, oil
15	531 02 98-73	Connector, 90 degree

NOTE: All component dimensions given in U.S. inches
1 inch = 25.4 mm

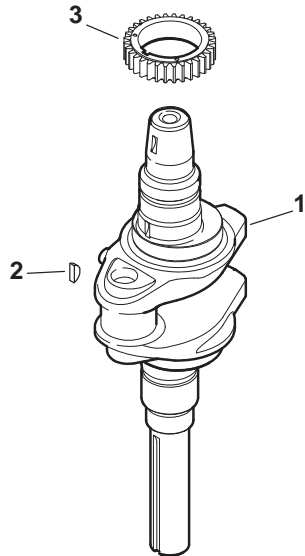
ENGINE CONTROLS

KEY NO.	PART NO.	DESCRIPTION
1	531 02 98-79	Control assembly, speed (Includes 2-4)
2	531 02 98-94	Screw, thread forming
3	531 02 98-95	Spring, speed control
4	531 02 98-93	Washer, nylon shoulder
5	531 02 96-13	Clamp, cable
6	531 02 96-14	Screw, torx hd. ctsk. M5x0.8x16
7	531 02 96-15	Screw, lobed sckt. M6x1.0x20 (2)
8	532 02 96-16	Linkage, choke – single wire
9	531 02 96-17	Spring, speed control (2)
10	531 02 96-18	Screw, thread forming M4x0.7x25
11	531 02 96-20	Bolt, round head 1/4-20x1"
12	531 02 96-06	Washer, lock 1/4"
13	531 02 96-19	Lever, governor
14	531 02 96-22	Nut, hex. flange 1/4-20"
15	531 02 96-23	Spring, governor
16	531 02 96-24	Bushing, throttle linkage
17	531 02 96-25	Linkage, throttle
18	531 02 96-26	Bushing, linkage retaining
19	531 02 98-96	Spring, linkage

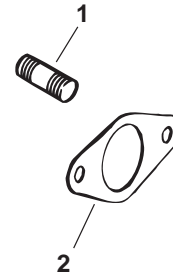
NOTE: All component dimensions given in U.S. inches
1 inch = 25.4 mm

KOHLER ENGINE - MODEL NO. SV540, TYPE NO.0002

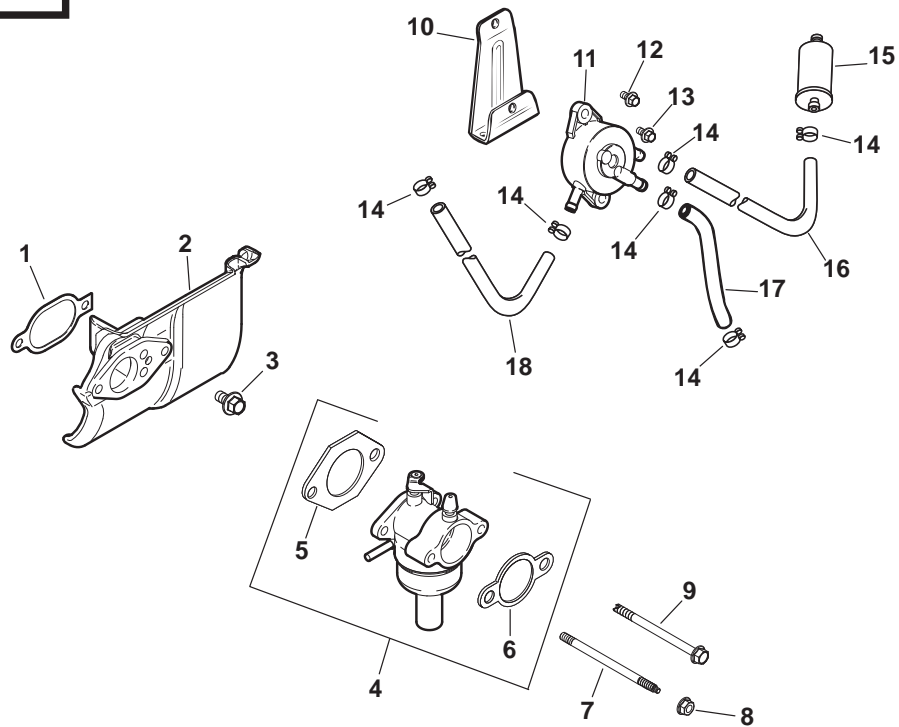
CRANKSHAFT



EXHAUST



FUEL SYSTEM



KOHLER ENGINE - MODEL NO. SV540, TYPE NO.0002

CRANKSHAFT

KEY NO.	PART NO.	DESCRIPTION
1	531 02 95-52	Crankshaft (Includes 2)
2	531 02 95-11	Key 3/16"
3	531 02 95-12	Gear, crankshaft

FUEL SYSTEM

KEY NO.	PART NO.	DESCRIPTION
1	531 02 95-95	Gasket, heat deflector
2	531 02 95-96	Deflector, heat
3	531 02 95-97	Screw, hex. flange
4	531 02 97-34	Carburetor w/gaskets (Includes 5,6)
5	531 02 95-99	Gasket, carburetor
6	531 02 96-00	Gasket, air cleaner
7	531 02 96-01	Stud, carburetor mounting
8	531 02 96-02	Nut, hex. flange M6x1.0
9	531 02 96-03	Screw, carb S60x1.42x85
10	531 02 98-67	Bracket, fuel pump mounting
11	531 02 97-87	Pump, fuel
12	531 02 96-55	Screw, hex. flange M5x0.8x10 (2)
13	531 02 97-62	Screw, hex. flange M6x1.0x16 (2)
14	531 02 96-04	Clamp, hose (6)
15	531 02 98-62	Filter, fuel
16	531 02 98-92	Line, fuel 10"
17	531 02 98-64	Line, fuel 2"
18	531 02 98-58	Line, fuel 15-3/4"

NOT ILLUSTRATED

531 02 98-59	Sleeve, fuel line
531 02 96-06	Washer, lock 1/4" (ground)
531 02 96-07	Kit, float
531 02 96-08	Kit, carburetor repair
531 02 96-09	Kit, solenoid repair
531 02 96-10	Kit, bowl replacement w/gaskets
531 02 96-11	Tie, wire

NOTE: All component dimensions given in U.S. inches
1 inch = 25.4 mm

EXHAUST

KEY NO.	PART NO.	DESCRIPTION
1	531 02 96-31	Stud, exhaust (2)
2	531 02 95-46	Gasket, exhaust
	531 02 95-10	Short Block
	531 02 96-34	Kit, overhaul/gasket set

NOTE: All component dimensions given in U.S. inches
1 inch = 25.4 mm

KOHLER ENGINE - MODEL NO. SV540, TYPE NO.0002

KOHLER ENGINE - MODEL NO. SV540, TYPE NO.0002