

R152SVBBC

Spare parts

Ersatzteile

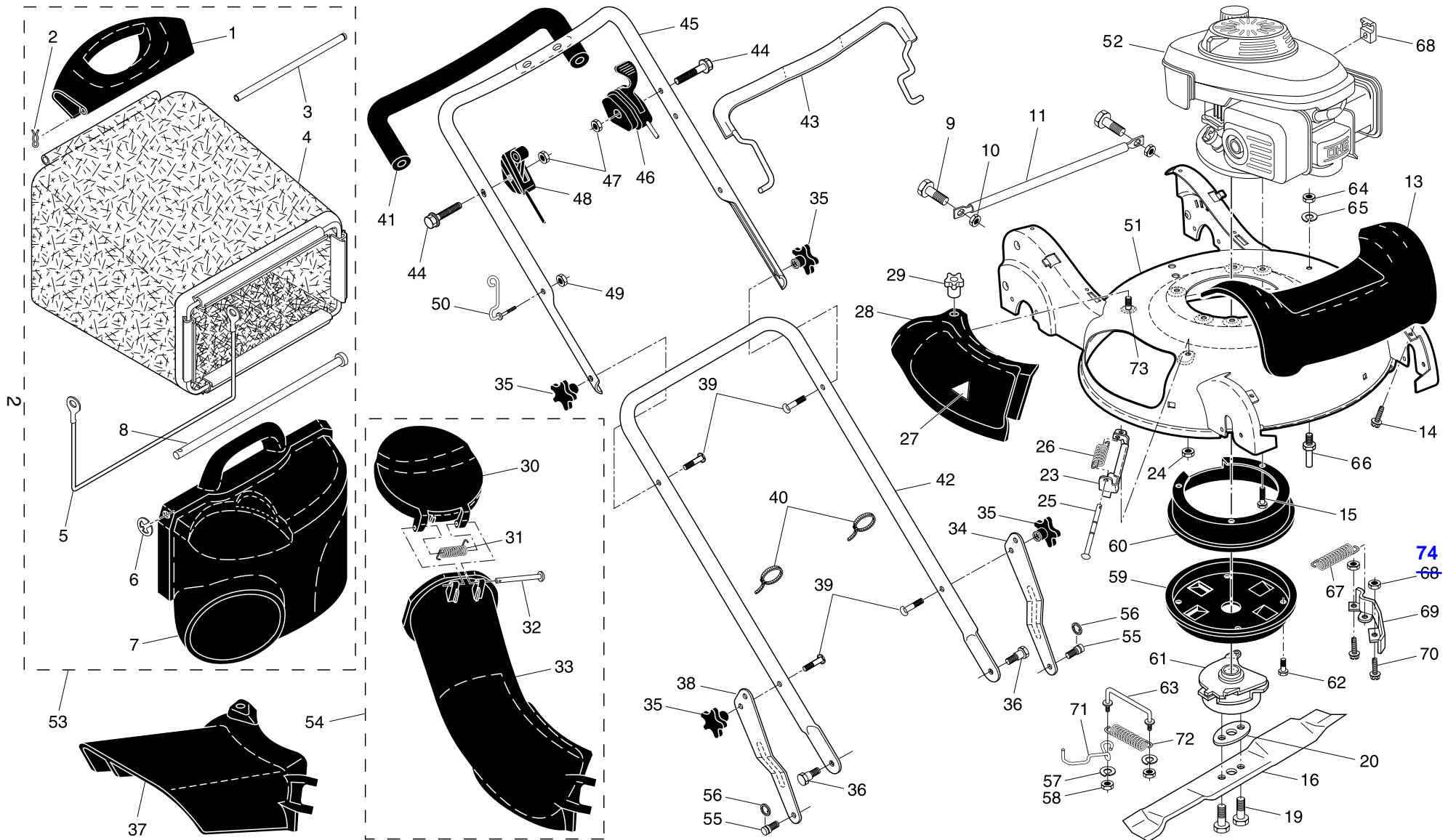
Pièces détachées

Reserve onderdelen

Repuestos

Reservdelar

ROTARY LAWN MOWER - - CUSTOMER MODEL NO. R152SVBBC (95417024201) PRODUCT NO. 954 17 02-42

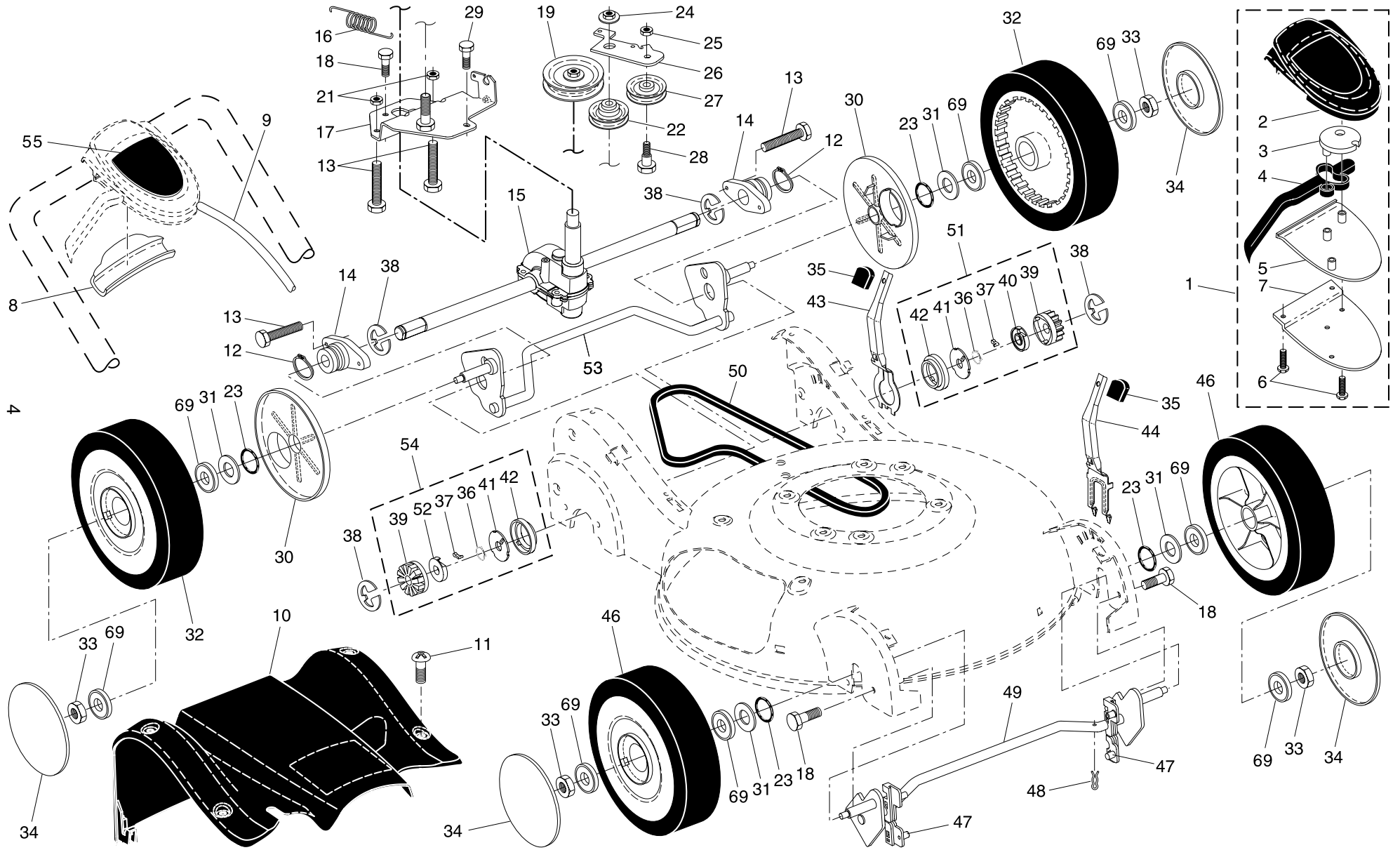


ROTARY LAWN MOWER - - CUSTOMER MODEL NO. **R152SVBBC** (95417024201) PRODUCT NO. 954 17 02-42

KEY NO.	PART NO.	DESCRIPTION	KEY NO.	PART NO.	DESCRIPTION
1	532 19 05-82	Handle, Grassbag, Rear	45	532 18 62-96	Handle Assembly, Upper (Includes Foam Grip)
2	532 06 53-22	Hairpin Cotter	46	532 19 65-41	Blade Brake Control
3	532 18 34-83	Rod, Rear Handle, Grassbag	47	532 13 20-04	Locknut, Hex 1/4-20
4	532 19 40-86	Grassbag	48	532 19 12-57	Throttle Control
5	532 18 85-06	Frame, Grassbag	49	532 18 45-69	Nut, Hex
6	812 00 00-14	E-Ring	50	532 18 85-01	Rope Guide
7	532 19 05-81	Door, Grassbag	51	532 19 40-88	Kit, Housing
8	532 18 34-79	Rod, Pivot	52	- - -	Engine, Honda, Model Number GCV160 (order parts from engine manufacturer)
9	872 14 04-05	Screw			
10	873 80 04-00	Nut, Hex 1/4-20 Locknut w/o a flange	53	532 19 40-87	Grassbag Assembly, Complete (Consists of Key Numbers 1-8)
11	532 19 06-92	Tube, Rear Skirt			
13	532 19 05-19	Cover, Front	54	532 18 90-14	Discharge Chute Assembly, Complete (Consists of Key Numbers 30-33)
14	532 18 45-72	Screw, Hex Washer Head			
15	532 15 04-06	Bolt, Engine Mounting	55	532 18 86-28	Stud, Shoulder, T45
16	532 18 04-59	Blade, 21"	56	812 00 00-58	E-Ring, T45
19	532 19 34-07	Bolt, Hex Head	57	532 05 39-98	Washer, Lock
20	532 19 34-09	Spacer, Blade	58	873 51 06-00	Nut, Hex 3/8-16 Lock Nut
23	532 18 36-09	Mounting Bracket, Mulcher Door	59	532 19 09-31	Belt Cover, Lower
24	532 75 11-52	Nut, Hex	60	532 19 09-30	Belt Cover, Upper
25	532 18 34-45	Rod, Hinge	61	- - -	Blade Brake / Clutch Assembly (order parts from engine manufacturer)
26	532 18 34-46	Spring, Mulcher Door			
27	532 18 21-66	Decal, Danger	62	532 75 00-97	Screw
28	532 19 05-15	Mulcher Door	63	532 18 01-88	Link, Torque
29	532 18 34-47	Knob	64	873 90 06-00	Nut, Hex 3/8-16
30	532 19 05-80	Door, Discharge Chute	65	532 85 02-63	Washer, Lock
31	532 18 34-78	Spring, Door, Discharge Chute	66	532 18 21-31	Stud, Belt Guide
32	532 18 34-45	Rod, Door, Discharge Chute	67	532 18 03-93	Spring
33	532 19 05-78	Discharge Chute, Plastic	68	532 19 09-03	Clamp, Throttle Cable
34	532 19 06-19	Adjustment Bracket, Lower Handle, LH	69	532 19 09-29	Brake, Clutch
35	532 18 55-88	Knob, Star	70	874 78 04-10	Bolt, Hex Head
36	532 18 34-65	Bolt, Shoulder	71	532 18 85-45	Belt Keeper
37	532 18 59-96	Deflector, Discharge	72	532 18 03-94	Spring
38	532 19 06-21	Adjustment Bracket, Lower Handle, RH	73	532 18 86-34	Stud, Threaded 1/4-20 x 5/8
39	532 19 15-74	Bolt, Handle	--	532 18 21-34	Decal, Warning (not shown)
40	532 06 64-26	Wire Tie	--	532 19 40-70	Operator's Manual, European
41	532 18 27-48	Grip, Foam	--	532 19 40-71	Operator's Manual, Scandinavian
42	532 18 70-96	Handle Assembly, Lower	74	873 90 04-00	Nut, 1/4-20 Hex Flange Locknut
43	532 18 62-99	Bail, Control	NOTE: All component dimensions given in U.S. inches.		
44	532 18 99-37	Screw	1 inch = 25.4 mm		

IMPORTANT: Use only Original Equipment Manufacturer (O.E.M.) replacement parts. Failure to do so could be hazardous, damage your lawn mower and void your warranty.

ROTARY LAWN MOWER - - CUSTOMER MODEL NO. R152SVBBC (95417024201) PRODUCT NO. 954 17 02-42



ROTARY LAWN MOWER - - CUSTOMER MODEL NO. **R152SVBBC** (95417024201) PRODUCT NO. 954 17 02-42

KEY NO.	PART NO.	DESCRIPTION	KEY NO.	PART NO.	DESCRIPTION
1	532 19 67-54	Drive Control Assembly, Complete (Consists of Key Numbers 2 through 7)	30	532 18 34-57	Cover, Dust, Wheel
2	532 19 57-61	Cover, Drive Control, Top	31	532 08 83-48	Washer, Flat 3/8
3	532 18 73-53	Pulley, Drive Control	32	532 19 26-19	Wheel Assembly, Rear 9 x 2-1/4
4	532 19 00-37	Lever, Drive Control (blue)	33	532 08 39-23	Nut, Hex
5	532 19 57-62	Cover, Drive Control, Bottom	34	532 18 36-95	Hubcap
6	532 18 16-98	Screw, Torx Head #8 x 5/8	35	532 18 59-94	Knob
7	532 18 70-97	Bracket, Mounting, Drive Control	36	532 18 82-91	Spring, Torsion
8	532 18 62-97	Cap, Drive Control, Bottom	37	532 17 50-98	Pawl
9	532 19 67-84	Cable, Drive Control	38	812 00 00-58	E-Ring
10	532 19 05-65	Cover Assembly, Drive	39	532 17 51-03	Pinion, Gear
11	532 18 45-71	Screw	40	532 17 51-05	Retainer, Drive, LH
12	812 00 00-12	Ring, Retaining	41	532 17 51-04	Disc, Drive
13	532 18 34-50	Screw	42	532 18 41-72	Seal, Friction
14	532 18 71-20	Bearing / Axle Support	43	532 19 05-20	Lever, Selector, Wheel Height, Rear
15	532 18 82-94	Gear Case Assembly (See Breakdown)	44	532 19 05-18	Lever, Selector, Wheel Height, Front
16	532 19 41-24	Spring, Return	46	532 19 22-30	Wheel Assembly, Front 9 x 2-1/4
17	532 19 68-22	Bracket, Gear Case / Drive Pulley	47	532 18 34-38	Bushing, Front Axle
18	532 16 34-09	Screw	48	532 16 96-75	Retainer, Hairpin Cotter
19	532 19 37-91	Pulley, Drive	49	532 19 64-69	Torque Shaft Assembly, Front
21	532 13 20-04	Nut, Hex	50	532 18 36-88	Belt, Drive
22	532 18 94-08	Pulley Assembly, V-Groove	51	532 18 83-31	Pinion Assembly, LH
23	532 18 81-52	O-Ring	52	532 17 51-02	Retainer, Drive, RH
24	532 13 20-10	Nut, Hex, Flangelock	53	532 19 59-95	Rear Axle Assembly
25	873 93 05-00	Nut, Hex, Lock	54	532 18 83-30	Pinion Assembly, RH
26	532 19 65-42	Idler Arm	55	532 18 93-78	Decal, Drive Control
27	532 16 60-43	Pulley, Idler	69	532 75 10-68	Bearing, Ball (Wheel)
28	532 16 08-29	Bolt, Hex Head, Shoulder			
29	817 06 04-10	Screw 1/4-20 x 1/16			

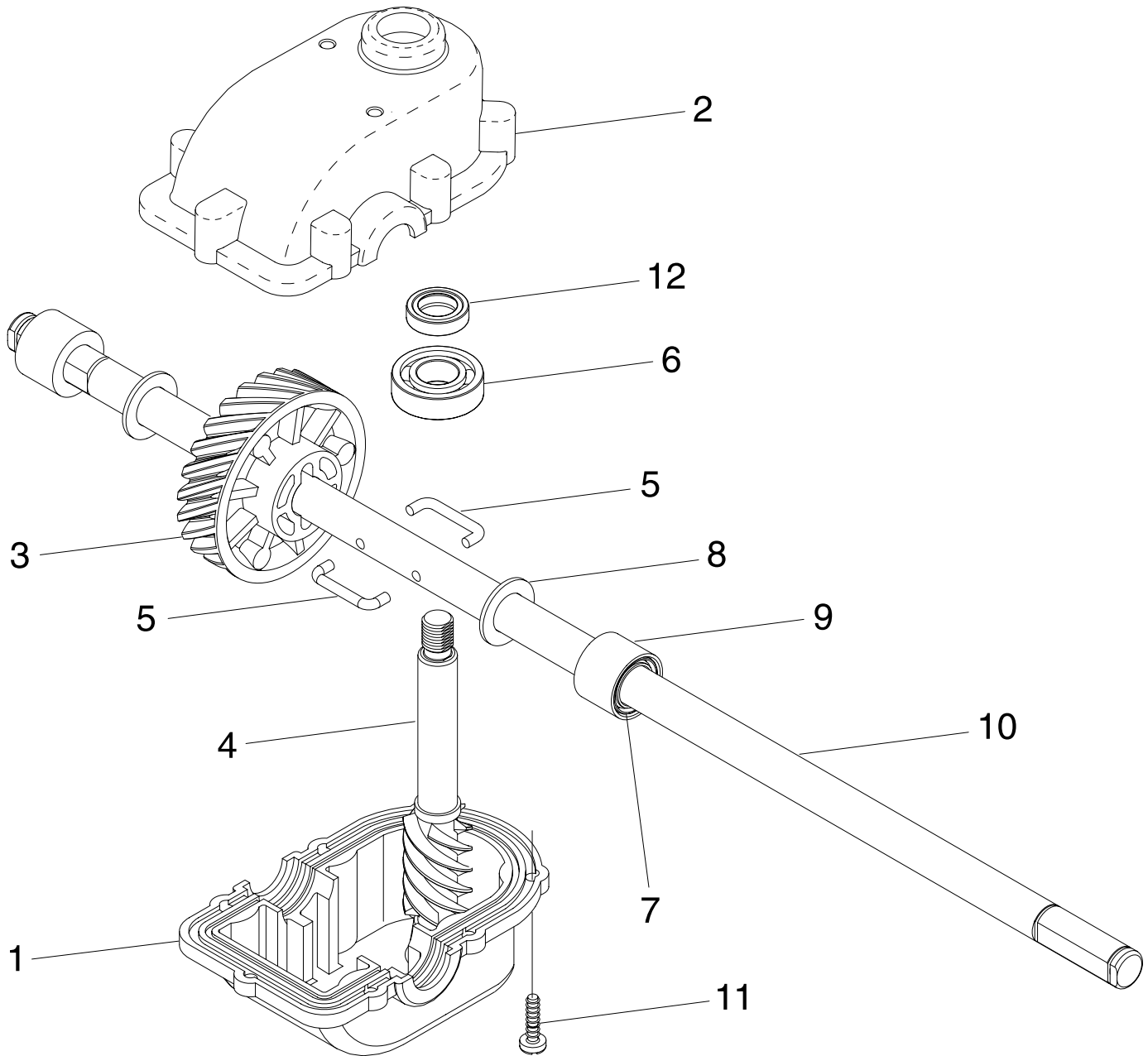
NOTE: All component dimensions given in U.S. inches.
1 inch = 25.4 mm

IMPORTANT: Use only Original Equipment Manufacturer (O.E.M.) replacement parts. Failure to do so could be hazardous, damage your lawn mower and void your warranty.

ROTARY LAWN MOWER - - CUSTOMER MODEL NUMBER R152SVBBC

(95417024201) PRODUCT NUMBER 954 17 02-42

GEAR CASE ASSEMBLY - - PART NUMBER 532 18 82-94



KEY NO.	PART NO.	DESCRIPTION
1	532 18 75-30	Case, Lower
2	532 19 12-45	Case, Upper
3	532 18 75-32	Gear, 24 Teeth
4	532 19 12-46	Shaft, Worm
5	532 18 35-05	Wireform
6	532 18 35-06	Bearing, Ball
7	532 18 35-08	Seal, Output Shaft
8	532 18 35-09	Washer
9	532 18 35-11	Bushing
10	532 19 12-47	Shaft, Output
11	532 18 35-13	Screw
12	532 18 35-14	Seal, Worm Shaft
--	532 75 03-69	Grease, Texaco Starplex Premium 1 (Do not substitute) (1.4 ounce capacity)