

R52SE

Spare parts

Ersatzteile

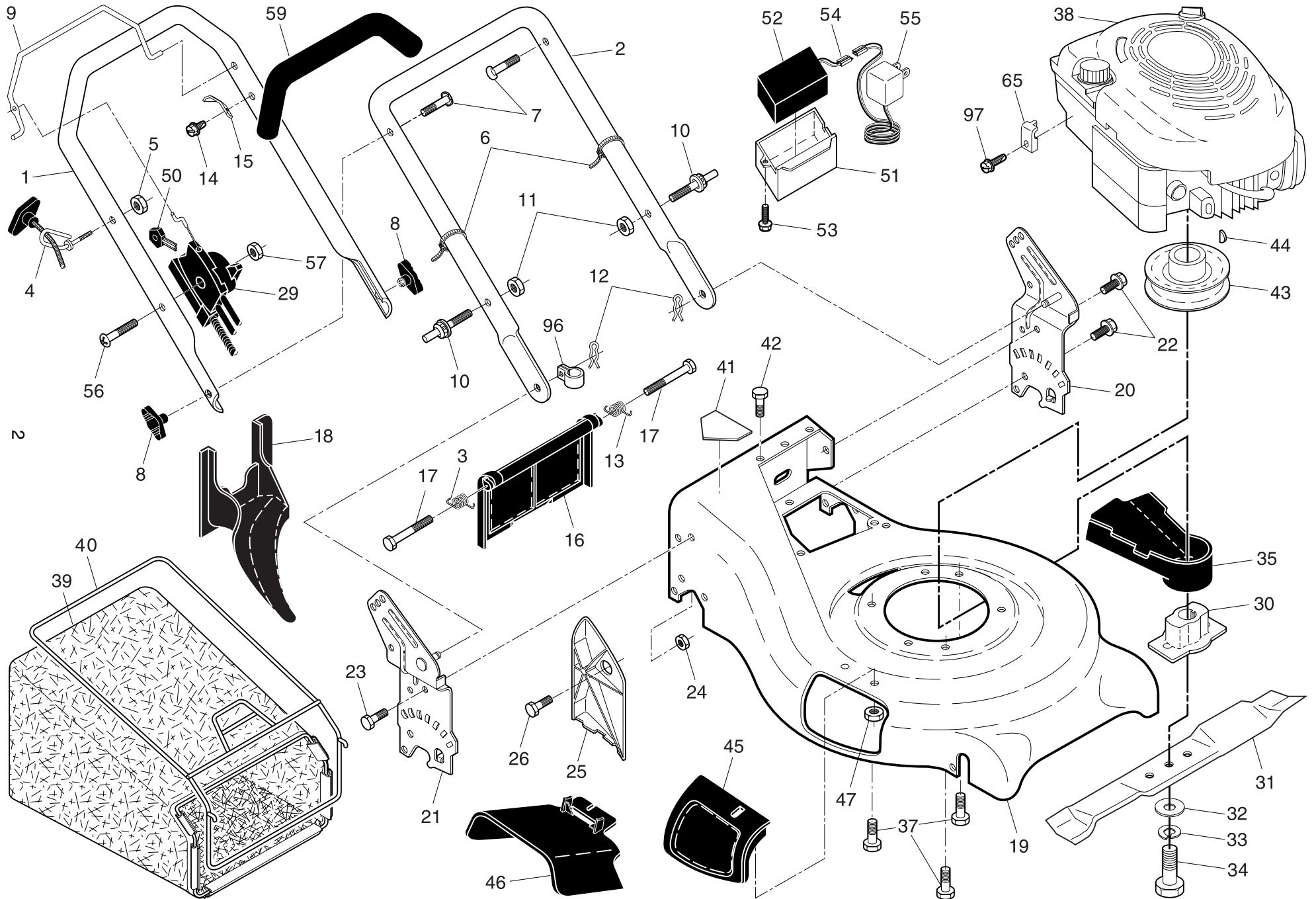
Pièces détachées

Reserve onderdelen

Repuestos

Reservdelar

ROTARY LAWN MOWER - - CUSTOMER MODEL NUMBER **R52SE** (95417021600) PRODUCT NO. 954 17 02-16



ROTARY LAWN MOWER - - CUSTOMER MODEL NUMBER **R52SE** (95417021600) PRODUCT NO. 954 17 02-16

| KEY NO. | PART NO. | DESCRIPTION |
|---------|--------------|--|
| 1 | 532 16 93-69 | Handle, Upper, Deluxe Comfort |
| 2 | 532 19 60-05 | Handle, Lower |
| 3 | 532 18 60-53 | Spring, Rear Door, RH |
| 4 | 532 17 95-85 | Guide, Rope, Side |
| 5 | 532 13 20-04 | Nut, Hex, with Lockwasher Insert 1/4-20 |
| 6 | 532 06 64-26 | Wire, Tie |
| 7 | 532 19 15-74 | Bolt, Handle 5/16-18 x 1.75 |
| 8 | 532 08 76-92 | Knob, Handle |
| 9 | 532 19 18-19 | Bail, Control, Wire, Deluxe Comfort, Black |
| 10 | 532 18 88-21 | Bolt, Carriage |
| 11 | 873 93 05-00 | Nut, Hex, with Lockwasher Insert 5/16-18 UNC |
| 12 | 532 05 17-93 | Cotter, Hairpin |
| 13 | 532 18 60-52 | Spring, Rear Door, LH |
| 14 | 532 12 51-62 | Bracket, Upstop |
| 15 | 532 75 06-34 | Screw, Tapping, Hex Washer Head #10-24 |
| 16 | 532 19 05-74 | Rear Door Assembly |
| 17 | 532 18 41-93 | Bolt, Rear Door |
| 18 | 532 18 75-35 | Plug, Mulcher |
| 19 | 532 17 69-37 | Kit, Lawn Mower Housing Assembly |
| 20 | 532 19 40-29 | Handle Bracket Assembly, LH |
| 21 | 532 19 40-31 | Handle Bracket Assembly, RH |
| 22 | 532 15 00-78 | Screw, Hex Washer Head |
| 23 | 532 16 31-83 | Bolt, Hex Head 5/16-18 x 5/8 |
| 24 | 873 80 05-00 | Nut, Hex, with Lockwasher Insert 5/16-18 |
| 25 | 532 16 13-33 | Baffle, Side |
| 26 | 532 16 34-09 | Screw #12 x 5/8 |
| 29 | 532 18 06-94 | Drive / Throttle / Electric Start Control |
| 30 | 532 18 45-90 | Adapter, Blade |
| 31 | 532 17 50-52 | Blade, 21" |
| 32 | 532 85 10-74 | Washer, Hardened |
| 33 | 532 85 02-63 | Lockwasher, Helical Spring 3/8 |

| KEY NO. | PART NO. | DESCRIPTION |
|---------|--------------|---|
| 34 | 532 85 10-84 | Screw, Hex Head 3/8-24 x 1.38 |
| 35 | 532 18 91-85 | Shield, Debris |
| 37 | 532 15 04-06 | Bolt, Engine |
| 38 | - - - | Engine, Briggs & Stratton, Model No. 12H807 (Order parts from engine manufacturer) |
| 39 | 532 19 40-52 | Bag, Grass Catcher |
| 40 | 532 18 88-17 | Frame, Grass Bag |
| 41 | 532 18 21-66 | Decal Danger |
| 42 | 532 05 45-83 | Screw, Self Tapping |
| 43 | 532 18 49-41 | Pulley, Engine |
| 44 | 532 18 77-23 | Key, Hi-Pro |
| 45 | 532 19 05-10 | Mulcher Door |
| 46 | 532 19 05-12 | Discharge Deflector |
| 47 | 532 08 83-49 | Nut, Hex |
| 50 | 532 12 21-47 | Key (2) |
| 51 | 532 16 13-34 | Box, Battery |
| 52 | 532 75 09-09 | Battery |
| 53 | 817 41 13-12 | Screw, Hex Washer Head #13 x .75 |
| 54 | 532 08 63-53 | Mounting Clip, Connector |
| 55 | 532 13 00-24 | Charger, Battery |
| 56 | 532 18 33-65 | Screw |
| 57 | 532 75 11-52 | Nut, Hex |
| 59 | 532 16 42-65 | Grip, Handle, Foam, Smooth |
| 65 | 532 11 11-90 | Cable Clamp |
| 96 | 532 19 27-70 | Clip, Cable |
| 97 | 532 08 38-16 | Screw |
| -- | 532 18 21-34 | Warning Decal |
| -- | 532 19 40-51 | Operator's Manual, European |
| -- | 532 19 40-54 | Operator's Manual, Scandinavian |

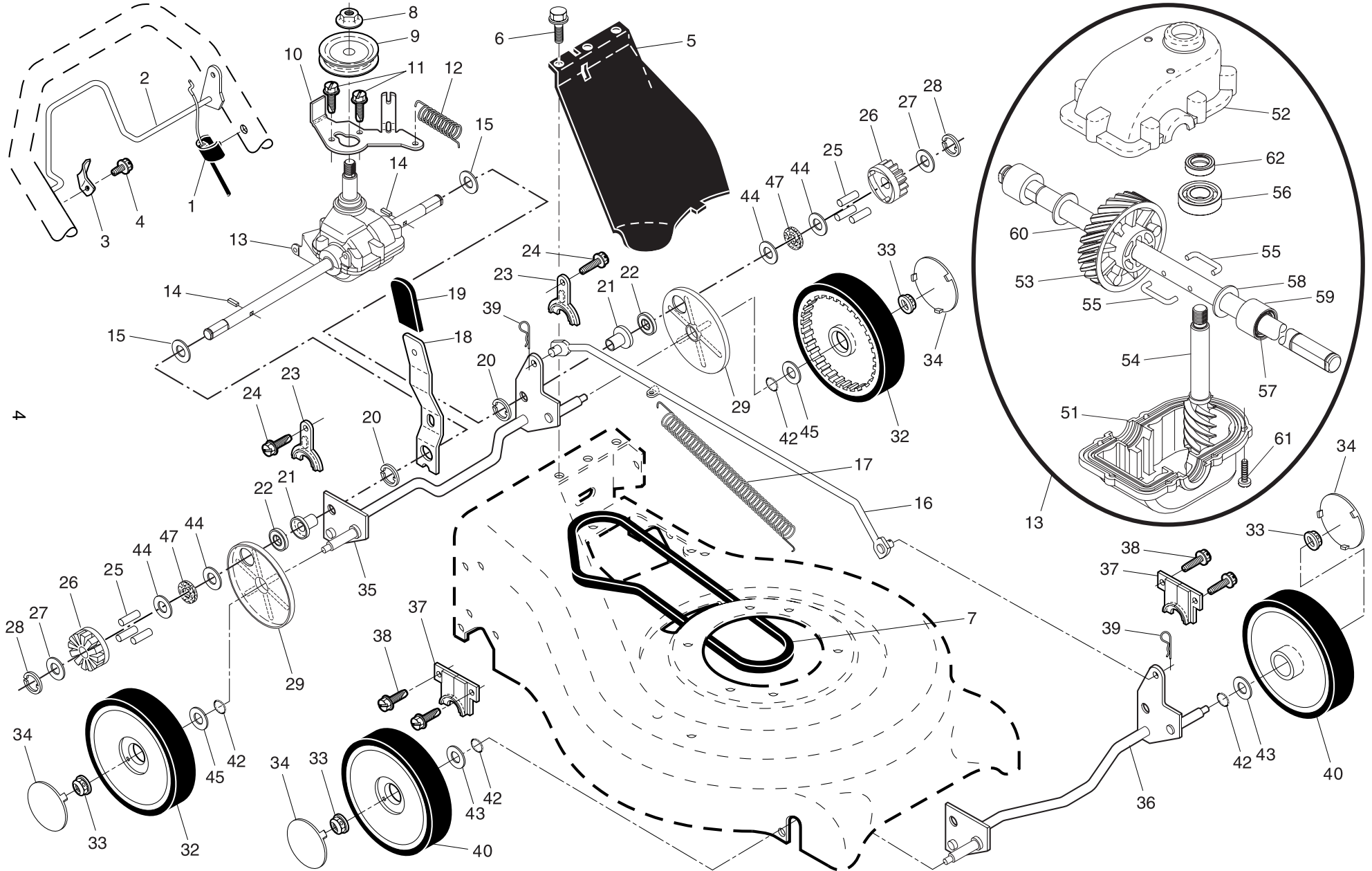
NOTE: All component dimensions given in U.S. inches.
1 inch = 25.4 mm

Correction:

- 532 19 54-84 Operator's Manual, European**
- 532 19 54-85 Operator's Manual, Scandinavian**
- 532 19 95-43 Operator's Manual, Central European**
- 532 19 95-42 Operator's Manual, Baltic**

IMPORTANT: Use only Original Equipment Manufacturer (O.E.M.) replacement parts. Failure to do so could be hazardous, damage your lawn mower and void your warranty.

ROTARY LAWN MOWER - - CUSTOMER MODEL NUMBER **R52SE** (95417021600) PRODUCT NO. 954 17 02-16



ROTARY LAWN MOWER - - CUSTOMER MODEL NUMBER **R52SE** (95417021600) PRODUCT NO. 954 17 02-16

| KEY NO. | PART NO. | DESCRIPTION |
|---------|--------------|--|
| 1 | 532 18 76-26 | Cable, Drive |
| 2 | 532 18 87-60 | Bar, Control, Drive |
| 3 | 532 16 45-57 | Bracket, Downstop |
| 4 | 532 75 06-34 | Screw, Tapping, Hex Washer Head #10-24 |
| 5 | 532 19 05-13 | Cover, Drive |
| 6 | 532 75 06-34 | Screw, Threaded, Rolled #10-25 x .50 |
| 7 | 532 16 08-16 | V-Belt |
| 8 | 532 13 20-10 | Nut, Hex, Flangelock, Zinc Plated 3/8-16 |
| 9 | 532 16 39-39 | Pulley, Driven |
| 10 | 532 16 45-53 | Belt Keeper |
| 11 | 532 16 34-09 | Screw, Hex Washer Head #10-24 x .668 |
| 12 | 532 18 76-27 | Spring |
| 13 | 532 18 82-95 | Gearcase Assembly, Complete |
| 14 | 532 14 53-54 | Pin, Spring, Thrust |
| 15 | 532 05 70-79 | Washer, Hardened |
| 16 | 532 16 15-84 | Rod, Connecting |
| 17 | 532 16 16-02 | Spring, Extension |
| 18 | 532 19 07-94 | Spring, Selector |
| 19 | 532 19 00-69 | Knob, Selector Spring |
| 20 | 812 00 00-22 | E-Ring 7/8 |
| 21 | 532 16 33-65 | Bearing Support |
| 22 | 532 16 99-11 | Bearing, Ball |
| 23 | 532 16 45-55 | Retainer, Drive Assembly |
| 24 | 532 05 78-08 | Screw, Tapping, Hex Head 1/4-20 x .75 |
| 25 | 532 17 00-11 | Drive Pawl |
| 26 | 532 16 64-50 | Pinion, Drive |
| 27 | 532 05 21-60 | Washer, Shim (as required) |
| 28 | 812 00 00-58 | E-Ring 7/16 |
| 29 | 532 18 94-03 | Cover, Dust, Wheel |

| KEY NO. | PART NO. | DESCRIPTION |
|---------|--------------|---|
| 32 | 532 18 80-42 | Wheel & Tire Assembly, Rear, Driven 9 x 2 |
| 33 | 532 08 39-23 | Nut, Hex, Flangelock |
| 34 | 532 18 06-26 | Hubcap |
| 35 | 532 19 60-16 | Shaft Assembly, Rear |
| 36 | 532 19 60-15 | Shaft Assembly, Front |
| 37 | 532 16 14-63 | Retainer, Front Shaft |
| 38 | 532 16 34-09 | Screw #12 x 5/8 |
| 39 | 532 70 02-79 | Clip, Retainer |
| 40 | 532 15 03-48 | Wheel & Tire Assembly, Front 8 x 2 |
| 42 | 532 18 81-52 | O-Ring |
| 43 | 532 08 83-48 | Washer, Flat 3/8 |
| 44 | 532 06 23-35 | Belleville Washer 1/2 |
| 45 | 532 06 77-25 | Washer 1/2 x 1-1/2 x .134 |
| 47 | 532 08 81-18 | Felt Washer |
| 51 | 532 18 75-30 | Case, Lower |
| 52 | 532 19 12-45 | Case, Upper |
| 53 | 532 18 75-32 | Gear, 24 Teeth |
| 54 | 532 18 75-33 | Shaft, Worm |
| 55 | 532 18 35-05 | Wireform |
| 56 | 532 18 35-06 | Bearing, Ball |
| 57 | 532 18 35-08 | Seal, Output Shaft |
| 58 | 532 18 35-09 | Washer |
| 59 | 532 18 35-11 | Bushing |
| 60 | 532 19 12-48 | Shaft, Output |
| 61 | 532 18 35-13 | Screw |
| 62 | 532 18 35-14 | Seal, Worm Shaft |

NOTE: All component dimensions given in U.S. inches.
1 inch = 25.4 mm

IMPORTANT: Use only Original Equipment Manufacturer (O.E.M.) replacement parts. Failure to do so could be hazardous, damage your lawn mower and void your warranty.