

R53SVW

Spare parts

Ersatzteile

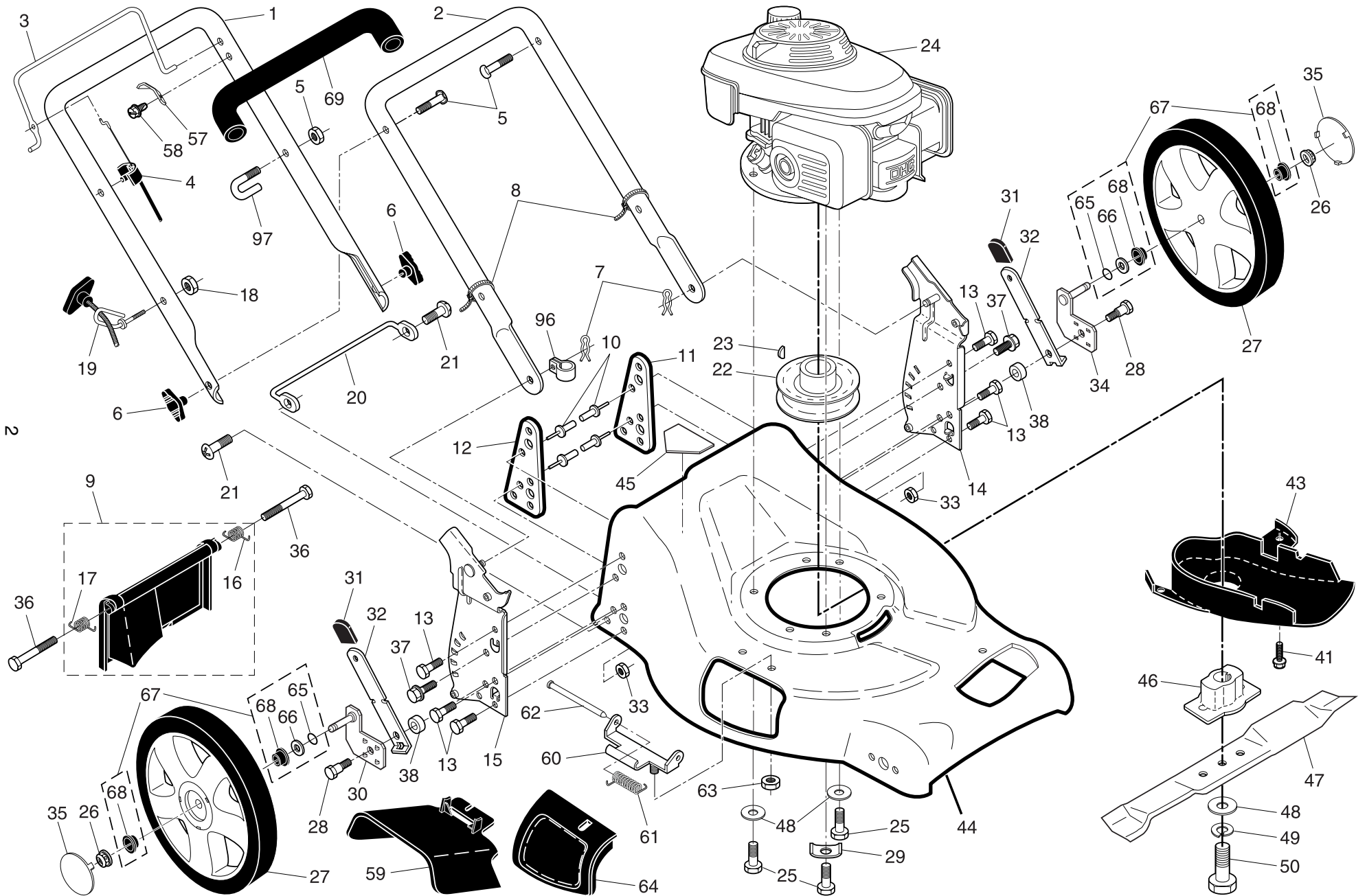
Pièces détachées

Reserve onderdelen

Repuestos

Reservdelar

ROTARY LAWN MOWER - - CUSTOMER MODEL NUMBER R53SVW (95417024300) PRODUCT NO. 954 17 02-43



ROTARY LAWN MOWER - - CUSTOMER MODEL NUMBER R53SVW (95417024300) PRODUCT NO. 954 17 02-43

| KEY NO. | PART NO. | DESCRIPTION |
|---------|--------------|--|
| 1 | 532 19 58-70 | Upper Handle (Includes Foam Grip) |
| 2 | 532 15 36-05 | Lower Handle |
| 3 | 532 19 06-20 | Control Bar |
| 4 | 532 18 35-67 | Engine Zone Control Cable |
| 5 | 532 19 15-74 | Handle Bolt |
| 6 | 532 19 18-56 | Handle Knob |
| 7 | 532 05 17-93 | Hairpin Cotter |
| 8 | 532 06 64-26 | Wire Tie |
| 9 | 532 18 04-79 | Kit, Rear Door (Includes Key #16 and 17) |
| 10 | 532 12 84-15 | Pop Rivet |
| 11 | 532 18 25-38 | Support Bracket, LH |
| 12 | 532 18 25-39 | Support Bracket, RH |
| 13 | 817 06 04-10 | Screw 1/4-20 x 5/8 |
| 14 | 532 19 60-36 | Handle Bracket Assembly, LH |
| 15 | 532 19 60-37 | Handle Bracket Assembly, RH |
| 16 | 532 18 00-71 | Spring, LH |
| 17 | 532 18 00-72 | Spring, RH |
| 18 | 532 13 20-04 | Keys Locknut 1/4-20 |
| 19 | 532 17 95-85 | Rope Guide |
| 20 | 532 17 92-05 | Foot Guard, C.E. |
| 21 | 532 05 45-83 | Screw, Tapping 1/4-20 x 1/2 |
| 22 | 532 18 50-05 | Engine Pulley |
| 23 | 532 18 77-23 | Key, Hi-Pro |
| 24 | - - - | Engine, Honda, Model Number GCV160 (order parts from engine manufacturer) |
| 25 | 532 15 04-06 | Hex Head Thread Rolling Screw 3/8-16 x 1-1/8 |
| 26 | 532 08 39-23 | Hex Flange Nut |
| 27 | 532 18 55-72 | Wheel & Tire Assembly, Rear, 14" |
| 28 | 532 16 08-28 | Shoulder Bolt 5/16-18 x .33 |
| 29 | 532 12 50-78 | Washer, Engine, Zinc-Plated |
| 30 | 532 18 25-41 | Axle Arm Assembly, RH |
| 31 | 532 19 19-38 | Selector Knob |
| 32 | 532 18 25-37 | Selector Spring |
| 33 | 873 80 05-00 | Nut, Hex 5/16-18 |
| 34 | 532 18 25-42 | Axle Arm Assembly, LH |

| KEY NO. | PART NO. | DESCRIPTION |
|---------|--------------|---|
| 35 | 532 19 18-53 | Hubcap |
| 36 | 532 18 41-93 | Bolt |
| 37 | 532 15 00-78 | Thread Cutting Screw w/Sems 5/16-18 x 3/4 |
| 38 | 819 11 22-06 | Washer |
| 41 | 532 19 23-25 | Screw |
| 43 | 532 18 70-38 | Debris Shield |
| 44 | 532 19 55-45 | Kit, Lawn Mower Housing (Includes Key Numbers 10, 11, 12 and 45) |
| 45 | 532 18 21-66 | Danger Decal |
| 46 | 532 18 45-90 | Blade Adapter |
| 47 | 532 16 58-33 | Blade, 21" |
| 48 | 532 85 10-74 | Hardened Washer |
| 49 | 532 85 02-63 | Helical Washer 3/8-24 x 1-3/8 Grade 8 |
| 50 | 532 85 10-84 | Hex Head Machine Screw 3/8-24 x 1-3/8 Grade 8 |
| 57 | 532 12 51-62 | Upstop Bracket |
| 58 | 532 75 06-34 | Screw |
| 59 | 532 18 55-82 | Discharge Deflector |
| 60 | 532 17 57-35 | Hinge Bracket |
| 61 | 532 17 52-85 | Spring |
| 62 | 532 17 56-50 | Hinge Rod |
| 63 | 873 80 04-00 | Nut, Hex |
| 64 | 532 18 55-76 | Mulcher Door |
| 65 | 532 18 81-52 | O-Ring |
| 66 | 532 08 83-48 | Washer, Flat 1/2 |
| 67 | 532 19 34-98 | Kit, Bushing |
| 68 | 532 19 36-96 | Bushing, Nylon, Black |
| 69 | 532 18 27-48 | Grip, Foam |
| 96 | 532 19 27-70 | Clip, Cable |
| 97 | 532 18 20-03 | Clip, Wireform |
| -- | 532 19 55-41 | Operator's Manual, European |
| -- | 532 19 55-42 | Operator's Manual, Scandinavian |

NOTE: All component dimensions given in U.S. inches.
1 inch = 25.4 mm

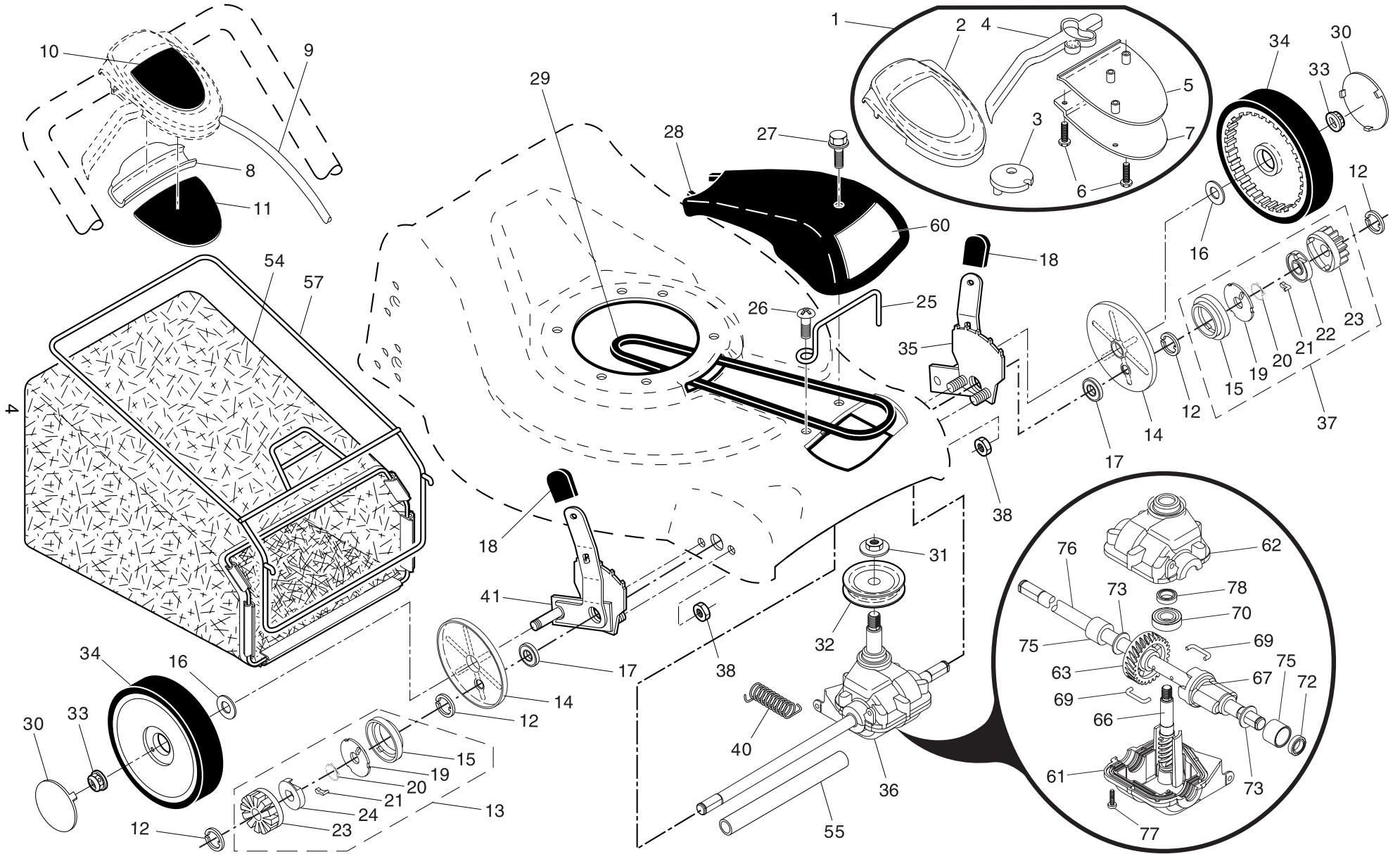
Correction:

532 19 78-11 Operator's Manual, European

532 19 78-12 Operator's Manual, Scandinavian

IMPORTANT: Use only Original Equipment Manufacturer (O.E.M.) replacement parts. Failure to do so could be hazardous, damage your lawn mower and void your warranty.

ROTARY LAWN MOWER - - CUSTOMER MODEL NUMBER R53SVW (95417024300) PRODUCT NO. 954 17 02-43



ROTARY LAWN MOWER - - CUSTOMER MODEL NUMBER R53SVW (95417024300) PRODUCT NO. 954 17 02-43

| KEY NO. | PART NO. | DESCRIPTION |
|---------|--------------|---------------------------------------|
| 1 | 532 19 50-71 | Drive Control Assembly |
| 2 | 532 18 82-79 | Cover, Drive Control, Upper |
| 3 | 532 18 73-53 | Pulley |
| 4 | 532 19 00-39 | Lever, Drive Control |
| 5 | 532 18 82-78 | Cover, Drive Control, Lower |
| 6 | 532 18 16-98 | Screw |
| 7 | 532 18 70-97 | Bracket, Drive |
| 8 | 532 18 49-87 | Cap, Drive |
| 9 | 532 19 54-12 | Cable Assembly, Drive |
| 10 | 532 18 93-78 | Decal, Drive |
| 12 | 812 00 00-58 | E-Ring |
| 13 | 532 18 83-30 | Pinion Assembly, RH |
| 14 | 532 18 94-03 | Dust Cover |
| 15 | 532 18 41-72 | Seal, Friction |
| 16 | 532 06 77-25 | Washer 1/2 x 1-1/2 x .134 |
| 17 | 532 16 99-11 | Bearing, Wheel Adjuster |
| 18 | 532 70 10-37 | Selector Knob |
| 19 | 532 17 51-04 | Disk, Drive |
| 20 | 532 18 82-91 | Spring, Torsion |
| 21 | 532 17 50-98 | Pawl |
| 22 | 532 17 51-05 | Retainer, Drive, LH |
| 23 | 532 17 51-03 | Gear, Pinion |
| 24 | 532 17 51-02 | Retainer, Drive, RH |
| 25 | 532 18 81-02 | Belt Keeper |
| 26 | 532 17 37-15 | Screw |
| 27 | 532 17 52-62 | Pan Head Tapping Screw #10-24 x 2-3/4 |
| 28 | 532 18 55-79 | Drive Cover |
| 29 | 532 16 97-78 | V-Belt |
| 30 | 532 18 06-26 | Hubcap |
| 31 | 532 13 20-10 | Hex Flange Nut |
| 32 | 532 18 94-06 | Drive Pulley |

| KEY NO. | PART NO. | DESCRIPTION |
|---------|----------------|--|
| 33 | 532 18 39-23 | Locknut |
| 34 | 532 18 07-56 | Wheel & Tire Assembly |
| 35 | 532 18 09-15 | Kit, Wheel Adjuster, LH (Includes Knob and Bearing) |
| 36 | 532 18 72-12 | Gearcase Assembly, Complete |
| 37 | 532 18 83-31 | Pinion Assembly, LH |
| 38 | 873 80 04-00 | Locknut 1/4-20 |
| 40 | 532 18 22-26 | Spring |
| 41 | 532 18 09-14 | Kit, Wheel Adjuster, RH (Includes Knob and Bearing) |
| 54 | 532 19 50-50 | Grassbag Assembly |
| 55 | 532 17 57-39 | Driveshaft Cover |
| 57 | 532 18 88-15 | Frame, Grassbag |
| 60 | 532 19 35-57 | Decal, Drive Cover |
| 61 | 532 18 75-25 * | Case, Lower |
| 62 | 532 18 75-26 * | Case, Upper |
| 63 | 532 18 34-99 | Gear, 27 Teeth |
| 66 | 532 18 75-27 | Shaft, Input |
| 67 | 532 18 75-28 | Spacer |
| 69 | 532 18 35-05 | Wire, Formed |
| 70 | 532 18 35-06 | Bearing, Ball |
| 72 | 532 18 35-08 | Seal, Output Shaft |
| 73 | 532 18 35-09 | Washer |
| 75 | 532 18 35-11 | Bushing |
| 76 | 532 18 75-29 | Shaft, Output |
| 77 | 532 18 35-13 | Screw |
| 78 | 532 18 35-14 | Seal, Input Shaft |

* Use Dow Corning #709 to reseal Gear Case Halves.

NOTE: All component dimensions given in U.S. inches.
1 inch = 25.4 mm

IMPORTANT: Use only Original Equipment Manufacturer (O.E.M.) replacement parts. Failure to do so could be hazardous, damage your lawn mower and void your warranty.