

R52S

Spare parts

Ersatzteile

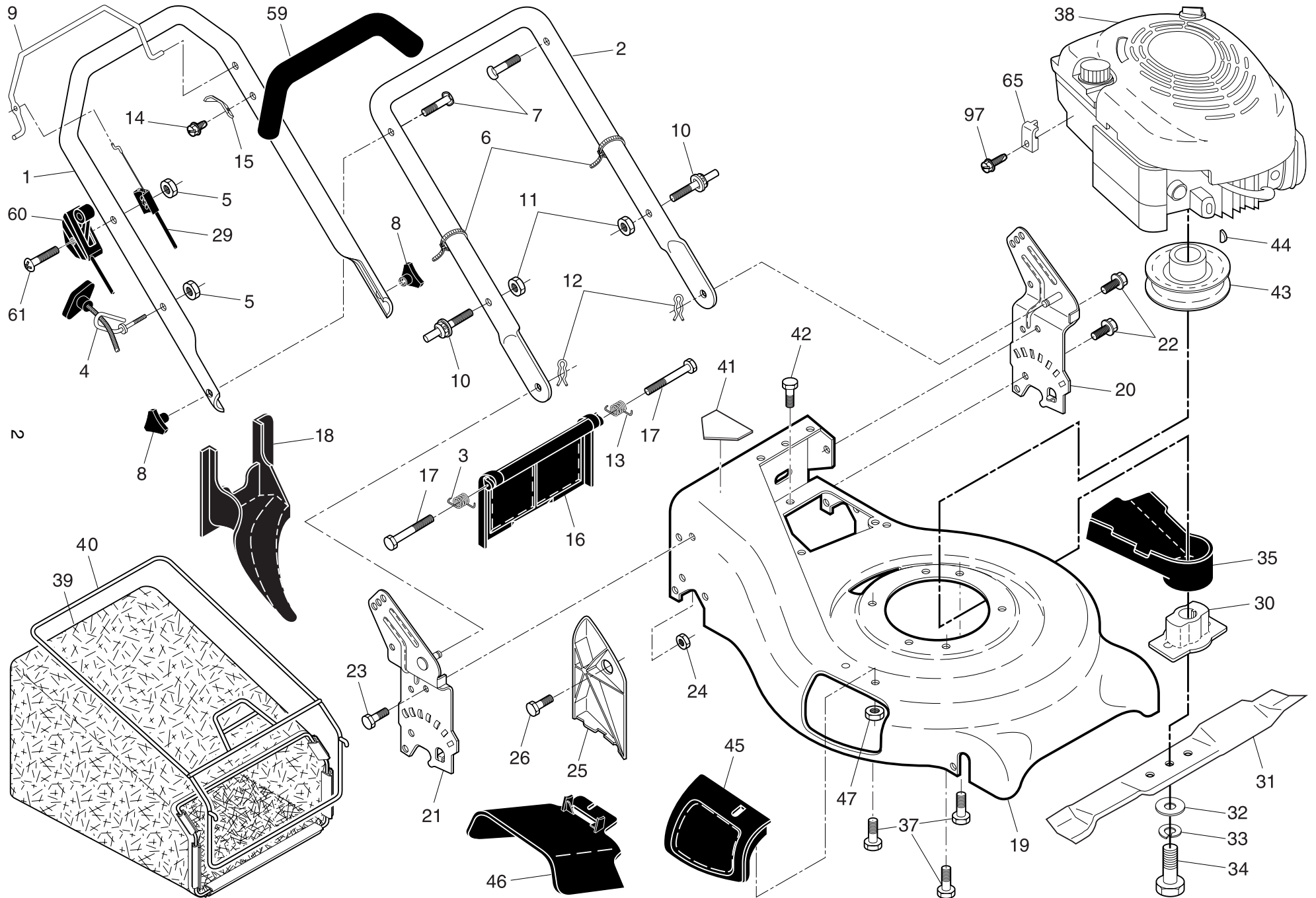
Pièces détachées

Reserve onderdelen

Repuestos

Reservdelar

ROTARY LAWN MOWER - - MODEL NUMBER **R52S** (95417021501) PRODUCT NUMBER 954 17 02-15



ROTARY LAWN MOWER - - MODEL NUMBER **R52S** (95417021501) PRODUCT NUMBER 954 17 02-15

KEY NO.	PART NO.	DESCRIPTION	KEY NO.	PART NO.	DESCRIPTION
1	532 16 93-69	Handle, Upper, Deluxe Comfort	29	532 13 31-07	Cable
2	532 19 60-05	Handle, Lower	30	532 18 45-90	Adapter, Blade
3	532 18 60-53	Spring, Rear Door, RH	31	532 17 50-52	Blade, 21"
4	532 17 95-85	Guide, Rope, Side	32	532 85 10-74	Washer, Hardened
5	532 13 20-04	Nut, Hex, with Lock Washer Insert 1/4-20	33	532 85 02-63	Lock Washer, Helical Spring 3/8
6	532 06 64-26	Wire, Tie	34	532 85 10-84	Screw, Hex Head 3/8-24 x 1.38
7	532 19 15-74	Bolt, Handle 5/16-18 x 1.75	35	532 18 91-85	Shield, Debris
8	532 08 76-92	Knob, Handle	37	532 15 04-06	Bolt, Engine
9	532 19 18-19	Control Bar, Wire, Deluxe Comfort	38	- - -	Engine, Briggs & Stratton, Model Number 12H802 (Order parts from engine manufacturer)
10	532 18 88-21	Bolt, Carriage	39	532 19 40-52	Bag, Grass Catcher
11	873 93 05-00	Nut, Hex, with Lock Washer Insert 5/16-18 UNC	40	532 18 88-17	Frame, Grass Bag
12	532 05 17-93	Cotter, Hairpin	41	532 18 21-66	Decal, Danger
13	532 18 60-52	Spring, Rear Door, LH	42	532 05 45-83	Self-Tapping Screw
14	532 75 06-34	Screw, Tapping, Hex Washer Head #10-24	43	532 18 77-23	Key, Hi-Pro
15	532 12 51-62	Bracket, Upstop	44	532 18 49-41	Pulley, Engine
16	532 19 05-74	Rear Door	45	532 19 05-10	Mulcher Door Assembly
17	532 18 41-93	Bolt, Rear Door	46	532 19 05-76	Clipping Deflector
18	532 18 75-35	Plug, Mulcher	47	532 08 83-49	Nut, Hex
19	532 17 69-37	Kit, Housing	59	532 16 42-65	Grip, Handle, Foam, Smooth
20	532 19 40-29	Handle Bracket Assembly, Left	60	532 18 21-54	Throttle Control
21	532 19 40-31	Handle Bracket Assembly, Right	61	532 18 33-65	Screw
22	532 15 00-78	Screw, Hex Washer Head	65	532 11 11-90	Cable Clamp
23	532 16 31-83	Bolt, Hex Head 5/16-18 x 5/8	97	532 08 38-16	Screw
24	873 80 05-00	Nut, Hex, with Lock Washer Insert 5/16-18	--	532 18 21-34	Warning Decal
25	532 16 13-33	Baffle, Side	--	532 19 54-84	Operator's Manual, European
26	532 16 34-09	Screw #12 x 5/8	--	532 19 54-85	Operator's Manual, Scandinavian

NOTE: All component dimensions given in U.S. inches. 1 inch = 25.4 mm

IMPORTANT: Use only Original Equipment Manufacturer (O.E.M.) replacement parts. Failure to do so could be hazardous, damage your lawn mower and void your warranty.

ROTARY LAWN MOWER - - MODEL NUMBER **R52S** (95417021501) PRODUCT NUMBER 954 17 02-15

KEY NO.	PART NO.	DESCRIPTION	KEY NO.	PART NO.	DESCRIPTION
1	532 18 76-26	Cable, Drive	29	532 18 94-03	Cover, Dust, Wheel
2	532 18 87-60	Bar, Control, Drive	32	532 18 80-42	Wheel 9 x 2
3	532 16 45-57	Bracket, Downstop	33	532 08 39-23	Nut, Hex Flangelock
4	532 75 06-34	Screw, Tapping, Hex Washer Head #10-24	34	532 18 06-26	Hubcap
5	532 19 55-03	Cover, Drive	35	532 19 60-16	Shaft Assembly, Rear
6	532 75 06-34	Screw, Threaded, Rolled #10-25 x 1/2	36	532 19 60-15	Shaft Assembly, Front
7	532 16 08-16	V-Belt	37	532 16 14-63	Retainer, Front Shaft
8	532 13 20-10	Nut, Hex, Flangelock, Zinc Plated 3/8-16	39	532 70 02-79	Clip, Retainer
9	532 16 39-39	Pulley, Driven	40	532 15 03-48	Wheel 8 x 2
10	532 16 45-53	Belt Keeper Bracket	42	532 18 81-52	O-Ring
11	532 16 34-09	Screw #12 x 5/8	43	532 08 83-48	Washer, Flat 3/8
12	532 18 76-27	Spring	44	532 06 23-35	Belleville Washer 1/2
13	532 18 82-95	Gearcase Assembly, Complete	45	532 06 77-25	Washer 1/2 x 1-1/2 x .134
14	532 14 53-54	Pin, Spring, Thrust	46	819 57 22-16	Washer
15	532 05 70-79	Washer, Hardened	47	532 08 81-18	Felt Washer
16	532 16 15-84	Rod, Connecting	51	532 18 75-30	Case, Lower
17	532 16 16-02	Spring, Extension	52	532 19 12-45	Case, Upper
18	532 19 61-62	Spring, Selector	53	532 18 75-32	Gear, 24 Teeth
19	532 19 00-69	Knob, Selector Spring	54	532 18 75-33	Shaft, Worm
20	812 00 00-22	E-Ring 7/8	55	532 18 35-05	Wireform
21	532 16 33-65	Bearing Support	56	532 18 35-06	Bearing, Ball
22	532 16 99-11	Bearing, Ball	57	532 18 35-08	Seal, Output Shaft
23	532 16 45-55	Retainer, Drive Assembly, Stamped	58	532 18 35-09	Washer
24	532 05 78-08	Screw, Tapping, Hex Head 1/4-20 x 3/4	59	532 18 35-11	Bushing
25	532 17 00-11	Drive Pawl	60	532 19 12-48	Shaft, Output
26	532 16 64-50	Pinion, Drive	61	532 18 35-13	Screw
27	532 05 21-60	Washer	62	532 18 35-14	Seal, Worm Shaft
28	812 00 00-58	E-Ring 7/16			

NOTE: All component dimensions given in U.S. inches. 1 inch = 25.4 mm

IMPORTANT: Use only Original Equipment Manufacturer (O.E.M.) replacement parts. Failure to do so could be hazardous, damage your lawn mower and void your warranty.