

IPL, BZE6127 D, BZE6134 D, BZE7234 D, 2005-02, 544 06 06-01

968999221, 968999222, 968999223

For Serial No. 033600000 & Higher

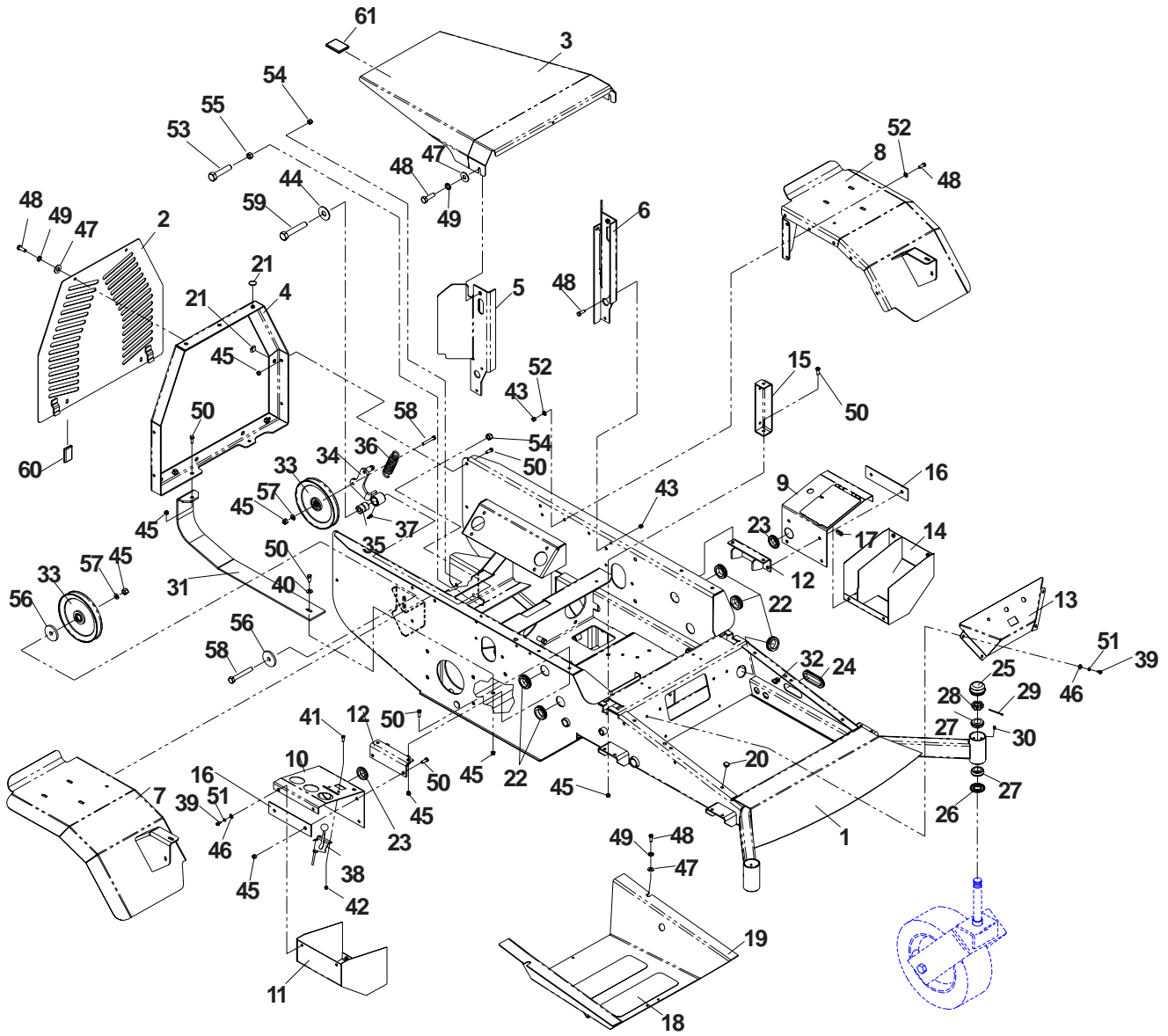
BZE6127D

BZE6134D

BZE7234D

Spare parts
Ersatzteile
Pièces détachées
Reserve onderdelen
Repuestos
Reservdelar

MAIN FRAME ASSEMBLY

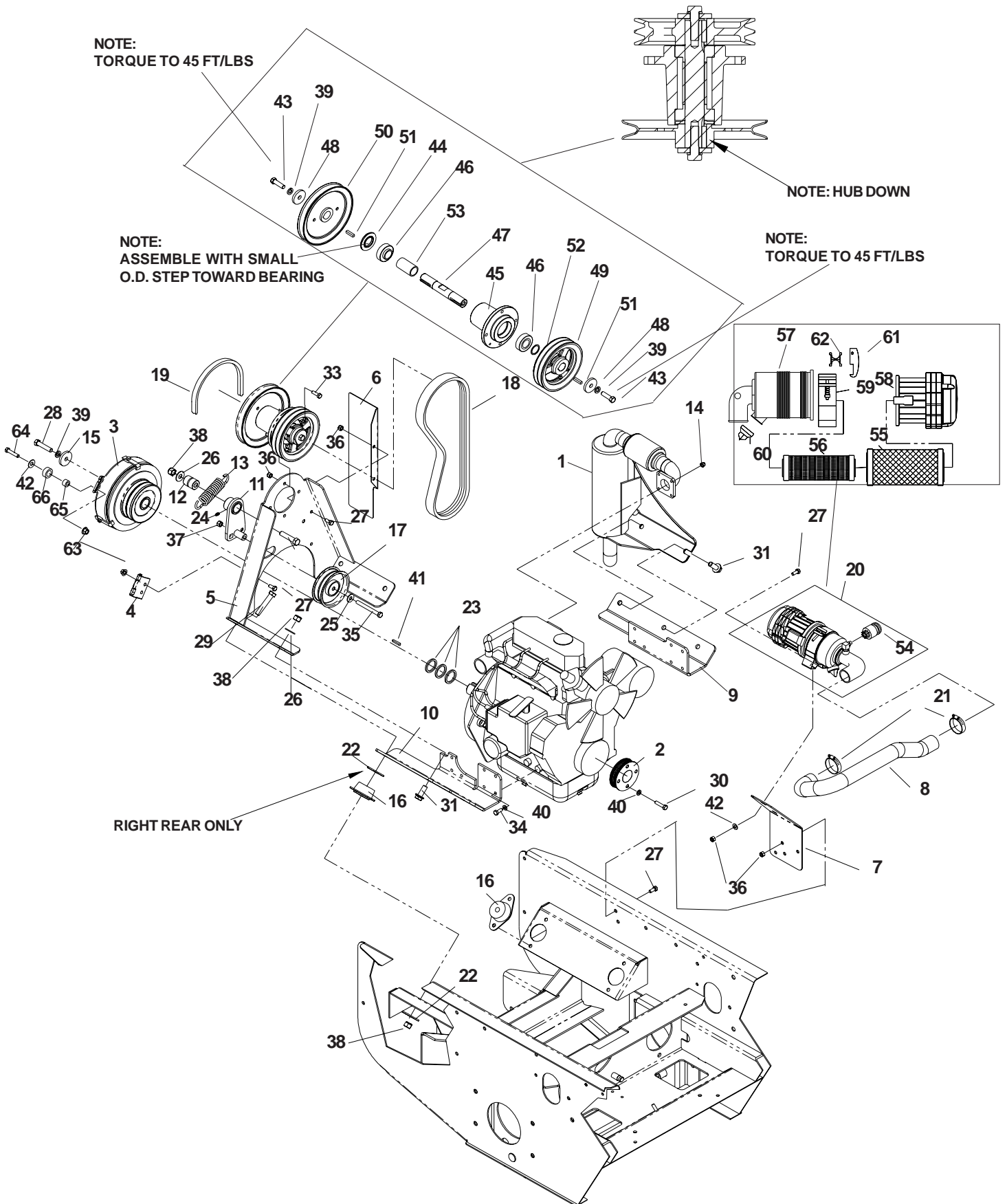


MAIN FRAME ASSEMBLY

ITEM	PART NO.	QTY.	DESCRIPTION	ITEM	PART NO.	QTY.	DESCRIPTION
1	539 10 62-05	1	Frame w/decals	35	539 10 64-17	1	Bushing
2	539 10 83-62	1	Panel, back	36	539 10 32-56	1	Spring
3	539 10 78-53	1	Hood	37	539 97 69-98	1	Zerk
4	539 10 78-47	1	Frame, rear	38	539 10 27-32	1	Cable, throttle
5	539 10 64-05	1	Support, right	39	539 99 03-62	12	Screw, 1/4-20 x 5/8,tapping
6	539 10 64-06	1	Support, left	40	539 99 05-17	2	Washer, 3/8
7	539 10 72-05	1	Fender, right	41	539 99 04-11	2	Bolt, #10-24 x 1/2
8	539 10 72-06	1	Fender, left	42	539 97 69-77	2	Nut, #10-24, nyloc
9	539 10 77-81	1	Panel, top left	43	539 99 07-17	18	Nut, 5/16-18, nyloc
10	539 10 77-78	1	Console, top	44	539 99 05-50	1	Washer, 1/2
11	539 10 77-76	1	Console, bottom	45	539 97 69-79	20	Nut, 3/8-16, nyloc
12	539 10 77-88	2	Bracket, angle	46	539 99 05-98	12	Washer, 1/4
13	539 10 76-69	1	Console	47	539 99 06-92	6	Washer, 5/16
14	539 10 77-91	1	Console, bottom	48	539 99 02-09	24	Bolt, 5/16-18 x 1
15	539 10 80-55	2	Support	49	539 99 01-87	6	Lockwasher, 5/16
16	539 10 78-67	2	Stiffener	50	539 99 05-63	18	Bolt, 3/8-16 x 1
17	539 10 72-32	2	Latch, magnetic	51	539 99 00-52	12	Lockwasher, 1/4
18	539 97 77-78	3	Pad, abrasive	52	539 99 01-88	28	Washer, 5/16, SAE
19	539 10 47-21	1	Pan, floor	53	539 10 70-26	1	Bolt, 1/2-20 x 2, Gr.8,
20	539 10 25-87	6	Stop, rubber	54	539 10 13-31	2	Nut, 1/2-20, nyloc,
21	539 10 78-58	12	Grommet, bumper	55	539 99 02-58	1	Nut, 1/2-20,
22	539 10 36-84	7	Grommet	56	539 10 65-04	2	Washer, heavy
23	539 10 76-56	2	Grommet	57	539 99 01-22	2	Washer, 3/8
24	539 10 72-10	1	Grommet	58	539 99 06-29	2	Bolt, 3/8-16 x 2 1/4
25	539 10 25-35	2	Cap, grease	59	539 10 83-46	1	Bolt, 1/2-13x 2 1/2
26	539 10 28-51	2	Seal	60	539 11 08-50	2	Sleeve
27	539 10 25-43	4	Bearing	61	539 11 08-51	2	Sleeve
28	539 10 28-52	2	Nut, 1-14, slotted jam				
29	539 10 28-89	2	Pin, cotter, 1/8 x 2				
30	539 10 14-74	2	Zerk				
31	539 10 63-00	2	Plate, skid				
32	539 10 47-63	2	`U' clip				
33	539 11 15-68	2	Idler				
34	539 10 64-18	1	Arm				

ENGINE ASSEMBLY

27 H.P.



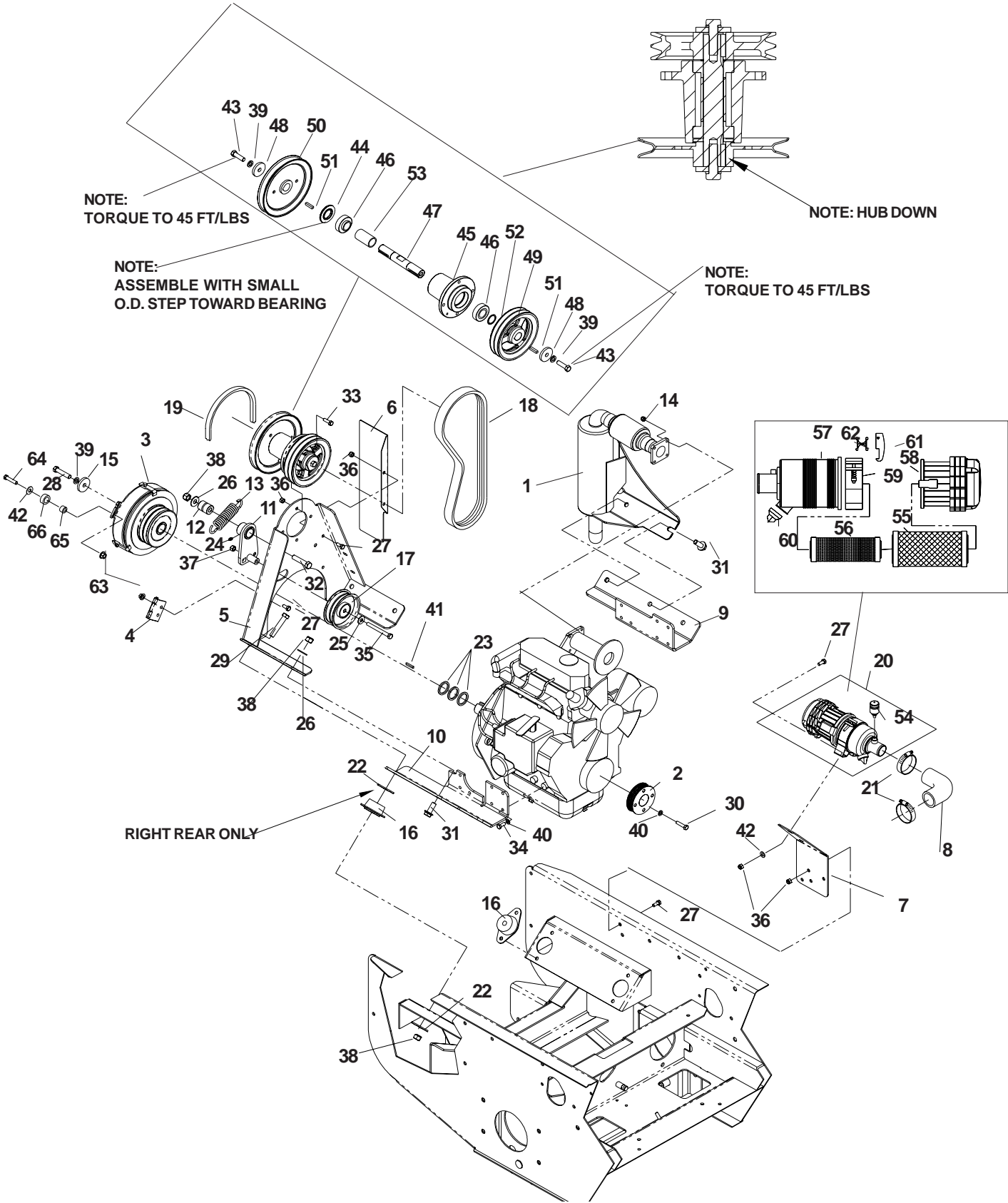
ENGINE ASSEMBLY

27 H.P.

ITEM	PART NO.	QTY.	DESCRIPTION	ITEM	PART NO.	QTY.	DESCRIPTION
1	539 11 18-35	1	Muffler				
2	539 10 63-35	1	Sheave, engine	35	539 10 82-71	1	Bolt, 3/8-16 x 3 1/2
3	539 11 06-68	1	Clutch	36	539 99 07-17	8	Nut, 5/16-18, nyloc
4	539 11 06-54	1	Restraint	37	539 97 69-79	1	Nut, 3/8-16, nyloc
5	539 10 63-06	1	Jack mount	38	539 10 13-31	7	Nut, 1/2-13, nyloc
6	539 10 78-64	1	Shield, heat	39	539 99 02-47	3	Lockwasher, 7/16
7	539 10 78-41	1	Bracket, air filter	40	539 99 01-87	17	Lockwasher, 5/16
8	539 10 78-60	1	Air filter hose	41	539 91 70-33	1	Key, 1/4 sq. x 2 1/2
9	539 10 78-61	1	Engine mount, left	42	539 99 06-92	3	Washer, 5/16
10	539 10 78-62	1	Engine mount, right	43	539 10 01-41	2	Bolt, 7/16-20 x 1 1/2
11	539 10 64-22	1	Arm	44	539 10 72-72	1	Combo spacer
12	539 10 64-17	1	Bushing	45	539 10 48-52	1	Housing
13	539 11 06-55	1	Spring	46	539 10 26-77	2	Bearing
14	539 10 98-01	4	Nut, M8-1.25, stover top lock	47	539 10 63-44	1	Spindle
15	539 10 65-04	1	Washer, heavy	48	539 10 65-04	2	Washer, heavy
16	539 10 62-91	4	Isolator mount, engine	49	539 10 63-47	1	Sheave
17	539 11 15-67	1	Idler	50	539 10 54-85	1	Pulley
18	539 11 15-82	1	Belt, primary	51	539 10 19-95	2	Key, 1/4" sq. x 1 1/8"
19	539 10 63-39	1	Belt, mule	52	539 10 22-44	1	Machine bushing, 18 ga
20	539 10 63-76	1	Air filter assembly	53	539 10 26-76	1	Spacer
21	539 10 63-84	2	Clamp	54	539 10 63-75	1	Indicator, air filter
22	539 11 18-44	5	Washer, heavy	55	539 10 63-13	1	Air filter
23	539 10 80-52	3	Bushing, machine, 1 1/8 x 10 ga.	56	539 10 63-77	1	Safety element
24	539 10 47-61	1	Zerk	57	539 10 84-70	1	Body, 90°
25	539 99 01-22	1	Washer, 3/8, SAE	58	539 10 84-73	1	Precleaner assembly
26	539 99 05-50	5	Washer, 1/2	59	539 10 84-74	1	Mounting bracket
27	539 97 69-34	8	Bolt, 5/16-18 x 3/4	60	539 10 84-72	1	S-drain
28	539 99 11-20	1	Bolt, 7/16-20 x 2 1/2	61	539 10 84-75	2	Clamp
29	539 10 13-32	4	Bolt, 1/2-13 x 2 3/4	62	539 10 84-76	2	Hinge
30	539 97 76-92	4	Bolt, M8-1.25 x 35		539 10 63-27	1	Stub shaft (Not shown)
31	539 99 06-22	2	Bolt, 1/2-13 x 1 1/4, serrated head			1	Manifold gasket (Not Shown)
32	539 10 83-46	1	Bolt, 1/2-13 x 2 1/2	63	539 99 05-85	3	Nut, 5/16C
33	539 99 02-09	4	Bolt, 5/16-18 x 1	64	539 99 06-27	1	HCS, 5/16C X 1 1/4
34	539 30 06-00	13	Bolt, M8 x 1.25 x 20	65	539 11 09-00	1	Bushing
				66	539 11 09-01	1	Sleeve

ENGINE ASSEMBLY

34 H.P.



ENGINE ASSEMBLY

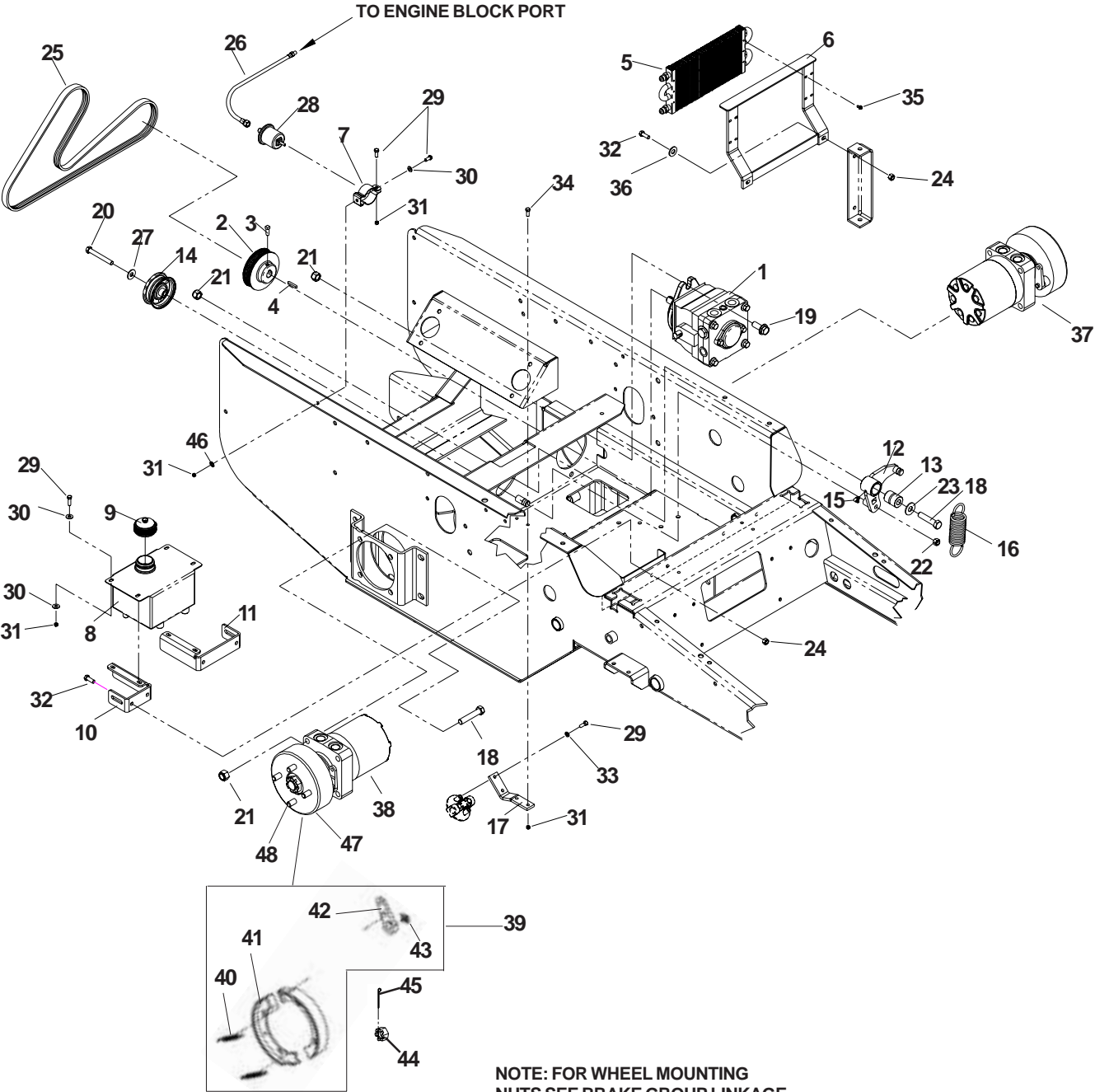
34 H.P.

ITEM	PART NO.	QTY.	DESCRIPTION	ITEM	PART NO.	QTY.	DESCRIPTION
1	539 11 18-34	1	Muffler	33	539 99 02-09	4	Bolt, 5/16-18 x 1
2	539 10 63-35	1	Sheave, engine	34	539 30 06-00	13	Bolt, M8 x 1.25 x 20
3	539 11 06-68	1	Clutch	35	539 10 82-71	1	Bolt, 3/8-16 x 3 1/2
4	539 11 06-54	1	Restraint	36	539 99 07-17	8	Nut, 5/16-18, nyloc
5	539 10 63-06	1	Jack mount	37	539 97 69-79	1	Nut, 3/8-16, nyloc
6	539 10 78-64	1	Shield, heat	38	539 10 13-31	7	Nut, 1/2-13, nyloc
7	539 10 78-41	1	Bracket, air filter	39	539 99 02-47	3	Lockwasher, 7/16
8	539 10 63-81	1	Hose	40	539 99 01-87	17	Lockwasher, 5/16
9	539 10 78-61	1	Engine mount, left	41	539 91 70-33	1	Key, 1/4 sq. x 2 1/2
10	539 10 78-62	1	Engine mount, right	42	539 99 06-92	3	Washer, 5/16
11	539 10 64-22	1	Arm	43	539 10 01-41	3	Bolt, 7/16-20 x 1 1/2
12	539 10 64-17	1	Bushing	44	539 10 72-72	1	Combo spacer
13	539 11 06-55	1	Spring	45	539 10 48-52	1	Housing
14	539 10 98-01	4	Nut, M8-1.25, stover top lock	46	539 10 26-77	2	Bearing
15	539 10 65-04	1	Washer, heavy	47	539 10 63-44	1	Spindle
16	539 10 62-91	4	Isolator mount, engine	48	539 10 65-04	2	Washer, heavy
17	539 11 15-67	1	Idler	49	539 10 63-47	1	Sheave
18	539 11 15-82	1	Belt, primary	50	539 10 54-85	1	Pulley
19	539 10 63-39	1	Belt, mule	51	539 10 19-95	2	Key, 1/4" sq. x 1 1/8"
20	539 10 63-15	1	Air filter assembly	52	539 10 22-44	1	Machine bushing, 18 ga
21	539 10 63-83	2	Clamp	53	539 10 26-76	1	Spacer
22	539 11 18-44	5	Washer, heavy	54	539 10 63-75	1	Indicator, air filter
23	539 10 80-52	1	Bushing, machine, 1 1/8 x 10 ga.	55	539 10 63-13	1	Air filter
24	539 10 47-61	1	Zerk	56	539 10 63-77	1	Safety element
25	539 99 01-22	1	Washer, 3/8, SAE	57	539 10 84-71	1	Body
26	539 99 05-50	1	Washer, 1/2	58	539 10 84-73	1	Precleaner assembly
27	539 97 69-34	8	Bolt, 5/16-18 x 3/4	59	539 10 84-74	1	Mounting bracket
28	539 99 11-20	1	Bolt, 7/16- 20 x 2 1/2	60	539 10 84-72	1	S-drain
29	539 10 13-32	4	Bolt, 1/2-13 x 2 3/4	61	539 10 84-75	2	Clamp
30	539 97 76-92	4	Bolt, M8-1.25 x 35	62	539 10 84-76	2	Hinge
31	539 99 06-22	2	Bolt, 1/2-13 x 1 1/4, serrated head		539 10 63-27	1	Stub shaft (Not shown)
32	539 10 83-46	1	Bolt, 1/2-13 x 2 1/2		539 10 91-77	1	Manifold gasket (Not Shown)
				63	539 99 05-85	3	Nut, 5/16C
				64	539 99 06-27	1	HCS, 5/16C X 1 1/4
				65	539 11 09-00	1	Bushing
				66	539 11 09-01	1	Sleeve

MOTION CONTROL-

ITEM	PART NO.	QTY.	DESCRIPTION
1	539 10 41-87	2	Handle
2	539 10 28-09	2	Arm, control shaft
3	539 10 66-87	2	Control lever extension
4	539 10 25-93	8	Washer, 3/8, spring
5	539 10 78-37	2	Pump linkage bar
6	539 10 25-90	2	Ball end, right
7	539 10 57-32	2	Pump lever
8	539 10 50-79	2	Setscrew, 5/16-18 sq. x 5/8, cone pt.
9	539 10 35-47	2	Washer
10	539 97 69-98	2	Zerk
11	539 10 49-95	2	Spacer
12	539 10 27-20	2	Dampener
13	539 10 64-12	2	Bracket, L
14	539 97 69-52	4	Screw, #10-24 x 5/8
15	539 10 43-63	1	Control, left
16	539 10 25-91	2	Ball end, left
17	539 10 43-64	1	Control, right
18	539 10 26-78	2	Tapped plate
19	539 10 62-69	2	Switch
20	539 10 32-97	2	Detent spring, rev.
21	539 99 06-92	6	Washer, 5/16
22	539 97 69-49	2	Bolt, 3/8-16 x 1 3/4
23	539 99 05-63	4	Bolt, 3/8-16 x 1
24	539 99 06-55	6	Bolt, 3/8-16 x 1 1/2
25	539 99 02-09	4	Bolt, 5/16-18 x 1
26	539 99 05-17	2	Washer, 3/8
27	539 99 10-55	2	Bolt, 5/16-18 x 2 1/4, tap
28	539 99 06-27	2	Bolt, 5/16-18 x 1 1/4
29	539 97 69-34	4	Bolt, 5/16-18 x 3/4
30	539 99 05-88	2	Bolt, 3/8-16 x 2
31	539 99 01-84	14	Nut, 5/16-18, centerlock
32	539 99 05-85	2	Nut, 5/16-18, serrated washer
33	539 99 05-46	8	Nut, 3/8-16, centerlock
34	539 99 02-23	6	Nut, 5/16-24
35	539 99 10-73	2	Nut, 5/16-24, jam, LH
36	539 99 06-13	2	Nut, 3/8-16
37	539 97 69-79	4	Nut, 3/8-16, nyloc
38	539 10 25-92	2	Grip

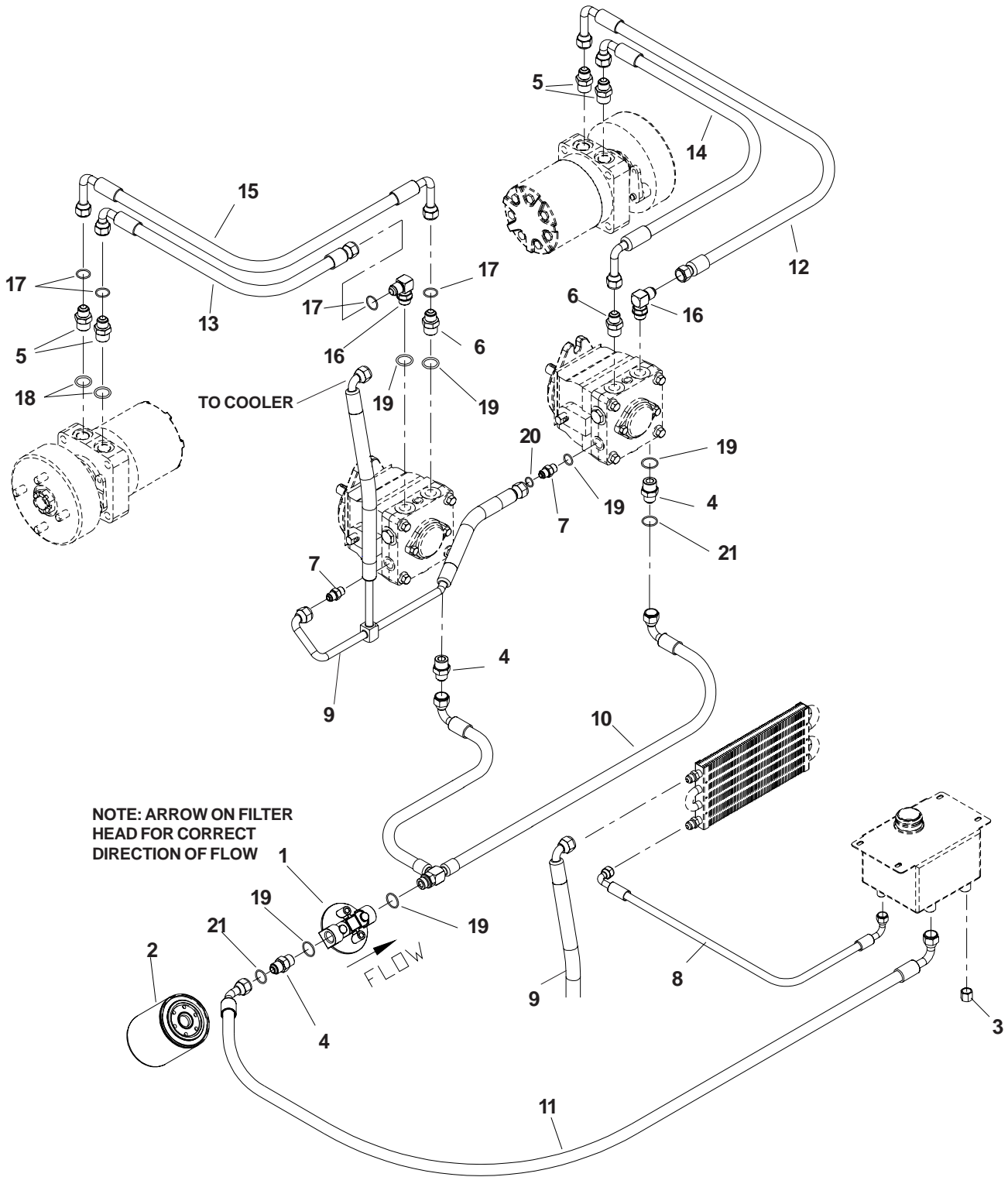
HYDRAULIC ASSEMBLY



HYDRAULIC ASSEMBLY

ITEM	PART NO.	QTY.	DESCRIPTION
1	539 10 63-33	2	Pump
2	539 10 63-34	2	Sheave, pump
3	539 10 27-16	4	Setscrew, 5/16-18 x 1
4	539 10 91-78	2	Key, metric
5	539 10 63-56	1	Cooler
6	539 10 78-10	1	Mount, cooler
7	539 10 78-44	1	Clamp, oil sender
8	539 10 58-91	1	Reservoir
9	539 10 12-02	1	Oil cap
10	539 10 50-26	1	Tank mount, right
11	539 10 50-27	1	Tank, mount, left
12	539 10 64-25	1	Arm
13	539 10 64-17	1	Bushing
14	539 91 90-78	1	Pulley, idler
15	539 91 27-58	1	Zerk
16	539 10 26-66	1	Spring
17	539 10 62-90	1	Mount, filter
18	539 10 83-46	9	Bolt, 1/2-13 x 2 1/2
19	539 99 06-22	4	Bolt, 1/2-13 x 1 1/4, serrated head
20	539 10 13-41	1	Bolt, 3/8-16 x 3
21	539 10 13-31	13	Nut, 1/2-13, nyloc
22	539 97 69-79	3	Nut, 3/8-16, nyloc
23	539 99 05-50	1	Washer, 1/2
24	539 99 07-17	6	Nut, 5/16-18, nyloc
25	539 10 63-41	1	Belt, pump
26	539 10 80-53	1	Hose
27	539 99 01-22	1	Washer, 3/8, SAE
28	539 10 63-82	1	Sender, oil pressure
29	539 99 05-80	8	Bolt, 1/4-20 x 3/4
30	539 99 05-98	9	Washer, 1/4
31	539 97 69-78	8	Nut, 1/4-20, nyloc
32	539 99 02-09	6	Bolt, 5/16-18 x 1
33	539 99 00-52	2	Lockwasher, 1/4
34	539 99 05-48	2	Bolt, 1/4-20 x 1
35	539 11 06-73	4	Screw, #10 -12 x 3/4
36	539 99 06-92	2	Washer, 5/16
37	539 10 62-66	1	Wheel motor, left
38	539 10 62-67	1	Wheel motor, right
39	539 11 18-06	1	Shoe assembly, complete, w/backing plate & items 40, 41, 42, 43
40	539 10 85-23	2	Return spring
41	539 10 85-24	2	Shoe assembly
42	539 10 85-25	1	Lever
43	539 10 85-26	1	Clip
44	539 10 52-77	2	Castle nut
45	539 99 02-97	2	Cotter pin
46	539 10 93-47	1	Washer, 1/4, external star
47	539 11 18-07	1	Brake drum w/studs
48	539 11 00-39	4	Wheel stud, 1/2-20 x 1 3/8, Gr8

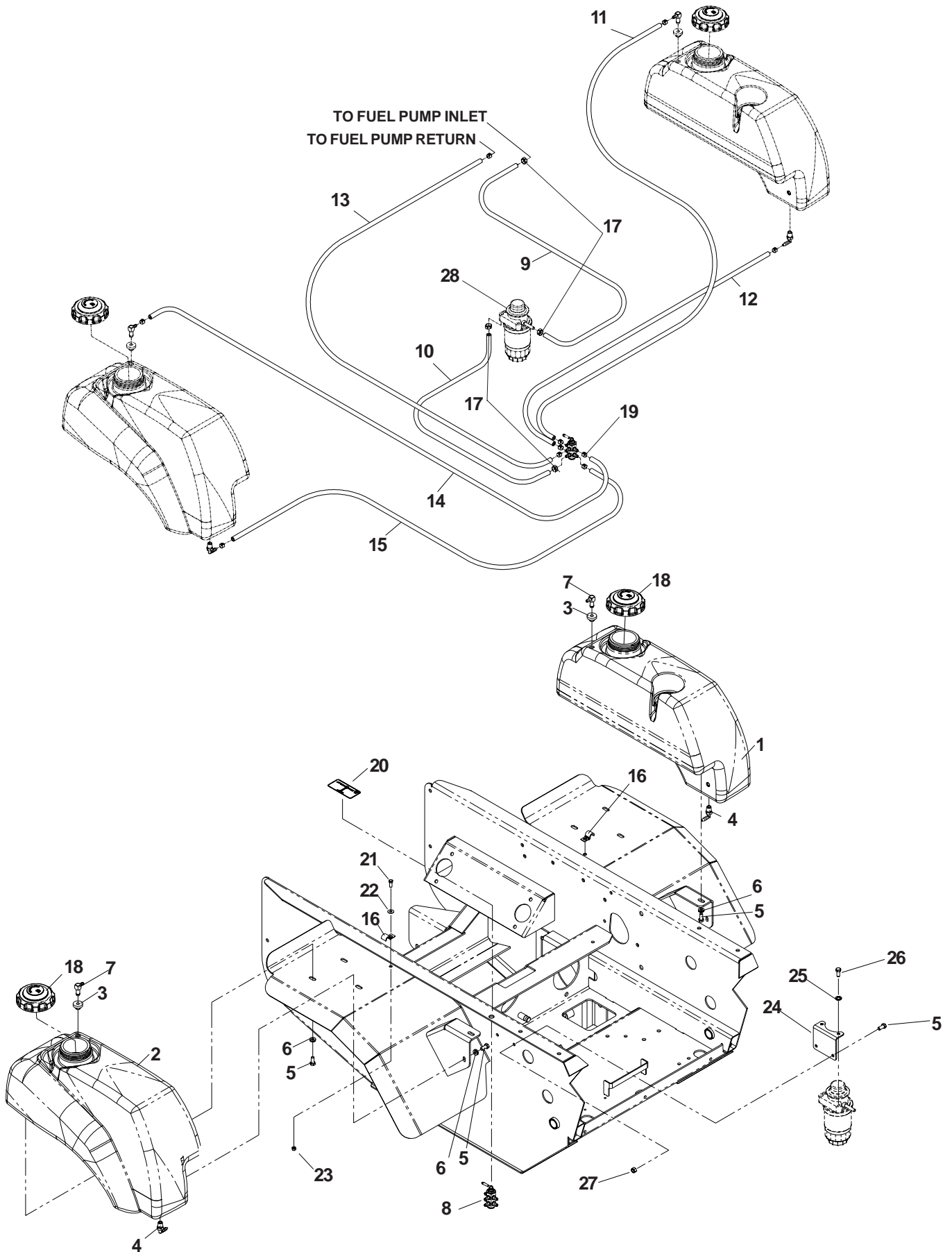
HYDRAULIC HOSES AND FITTINGS



HYDRAULIC HOSES AND FITTINGS

ITEM	PART NO.	QTY.	DESCRIPTION
1	539 10 58-92	1	Filter head
2	539 10 58-93	1	Filter
3	539 10 51-68	1	Cap nut, reservoir drain
4	539 10 12-37	3	Straight connector
5	539 10 63-57	4	Fitting, wheel motors
6	539 10 63-58	2	Fitting, pumps
7	539 10 63-59	2	Fitting, pumps (return side)
8	539 10 63-60	1	Hose, cooler-reservoir
9	539 11 09-30	1	Hose, T, pumps-cooler
10	539 10 63-62	1	Hose, T, filter, out-pumps
11	539 10 63-63	1	Hose, reservoir-filter, in
12	539 10 63-64	1	Hose, LL pump-LR mtr
13	539 10 63-65	1	Hose, RR pump-RF mtr
14	539 10 63-66	1	Hose, LR pump-LF mtr
15	539 10 63-67	1	Hose, RL pump-RR mtr
16	539 10 63-70	2	Fitting
17	539 10 89-83	8	`O' ring
18	539 10 31-14	4	`O' ring
19	539 10 31-15	6	`O' ring
20	539 10 31-18	2	`O' ring
21	539 10 31-19	3	`O' ring

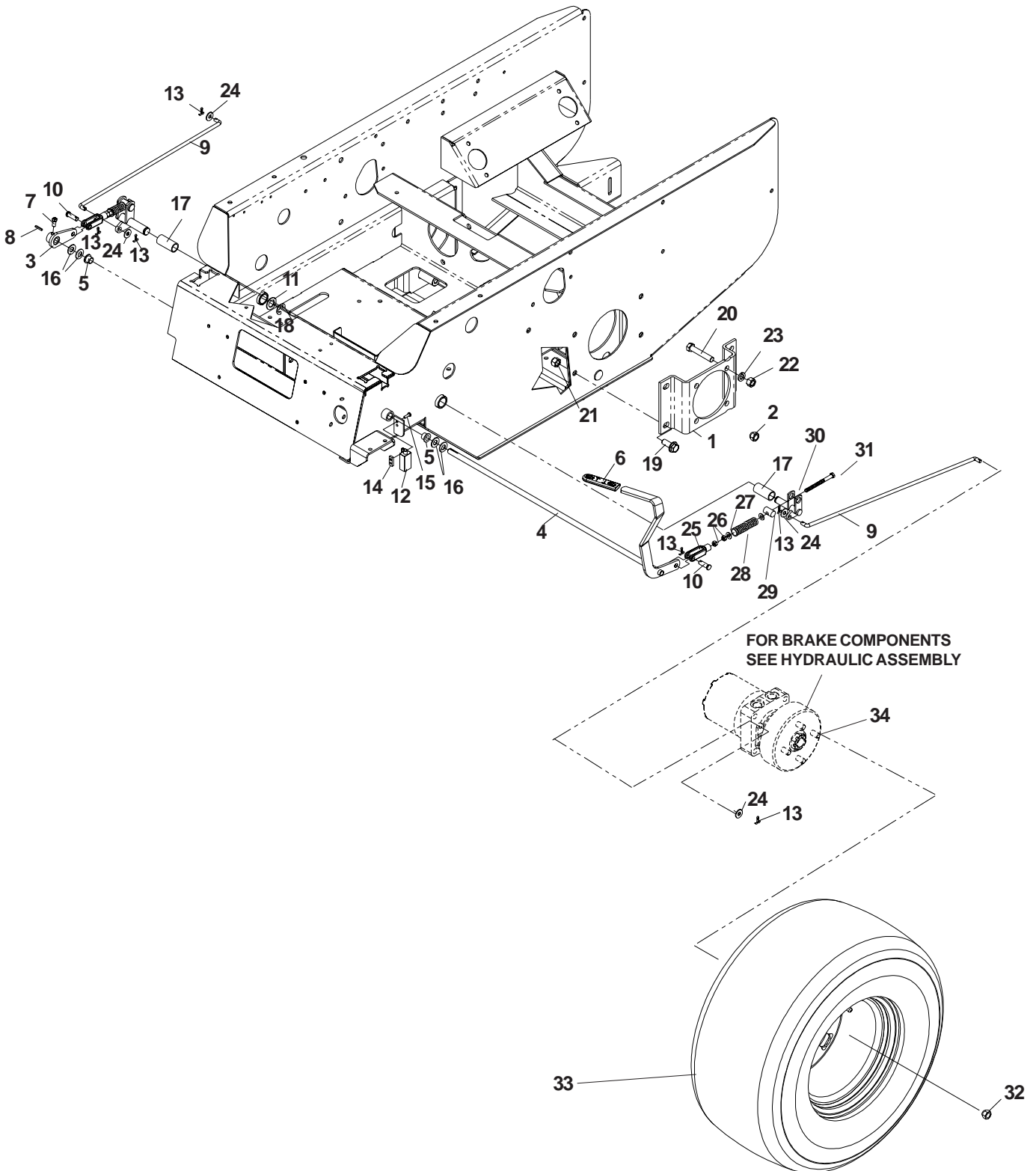
FUEL GROUP



FUEL GROUP

ITEM	PART NO.	QTY.	DESCRIPTION
1	539 10 53-29	1	Fuel tank, left
2	539 10 53-30	1	Fuel tank, right
3	539 10 52-45	2	Grommet, rubber
4	539 10 26-50	2	Hose barb, 90°
5	539 97 69-34	10	Bolt, 5/16-18 x 3/4
6	539 10 17-04	10	Washer, 5/16, sealing
7	539 10 52-44	2	Elbow
8	539 10 53-31	1	Valve, fuel
9	539 10 82-06	1	Fuel line (38")
10	539 10 82-07	1	Fuel line (35")
11	539 10 82-08	1	Fuel line (79")
12	539 10 82-09	1	Fuel line (57")
13	539 10 82-10	1	Fuel line (54")
14	539 10 82-11	1	Fuel line (34")
15	539 10 82-12	1	Fuel line (13")
16	539 10 78-63	2	Clip
17	539 10 55-29	4	Clamp
18	539 10 63-30	2	Cap, diesel fuel
19	539 91 22-22	10	Hose clamp
20	539 10 53-34	1	Decal, fuel valve
21	539 99 05-80	2	Bolt, 1/4-20 x 3/4
22	539 99 05-98	2	Washer, 1/4
23	539 97 69-78	2	Nut, 1/4-20, nyloc
24	539 10 78-40	1	Mounting bracket
25	539 99 01-87	2	Lockwasher, 5/16
26	539 30 06-00	2	Bolt, M8-1.25 x 20
27	539 99 07-17	2	Nut, 5/16-18, nyloc
28	539 10 63-69	1	Fuel filter/pump assembly
	539 10 84-48	1	Fuel filter element w/O-ring

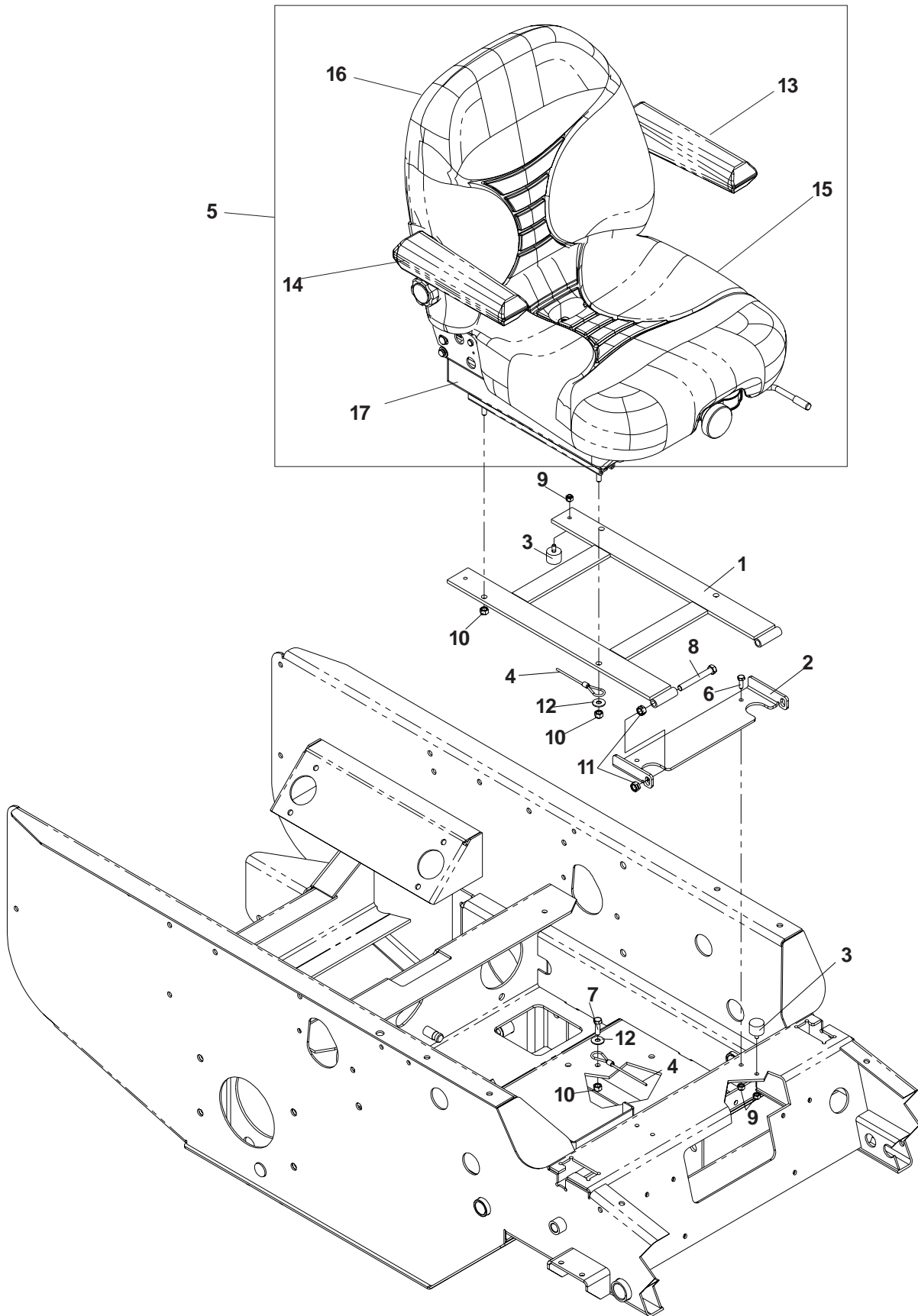
BRAKE GROUP LINKAGE



BRAKE GROUP LINKAGE

ITEM	PART NO.	QTY.	DESCRIPTION
1	539 10 43-27	2	Standoff, wheel motor
2	539 10 11-73	8	Nut, 1/2, lug
3	539 10 65-23	1	Brake arm
4	539 10 65-26	1	Brake lever
5	539 10 25-19	2	Bushing, bronze
6	539 10 50-36	1	Grip, park brake
7	539 10 27-17	1	Setscrew, 5/16-18 sq. x 5/8
8	539 10 65-28	1	Key, 1/8 sq. x 7/8
9	539 10 78-38	2	Brake linkage bar
10	539 97 77-03	2	Pin, clevis
11	539 99 10-50	2	Bushing, machine, 3/4
12	539 10 62-69	1	Switch
13	539 99 03-65	6	Pin, cotter
14	539 10 26-78	1	Plate, tapped
15	539 97 69-52	2	Screw, #10-24 x 5/8
16	539 10 28-43	4	Washer, 7/16, spring
17	539 10 50-44	2	Bearing, bronze
18	539 10 24-54	2	E-ring, 3/4
19	539 99 06-22	8	Bolt, 1/2-13 x 1 1/4, serrated washer
20	539 10 13-32	8	Bolt, 1/2-13 x 2 3/4
21	539 10 13-31	8	Nut, 1/2-13, nyloc
22	539 99 02-58	8	Nut, 1/2-13
23	539 99 02-54	8	Lockwasher, 1/2
24	539 99 06-92	4	Washer, 5/16
25	539 97 74-65	1	Yoke
26	539 99 01-55	2	Nut, 3/8-24
27	539 99 01-22	2	Washer 3/8
28	539 10 49-86	1	Spring
29	539 10 28-21	1	Pin, trunion
30	539 10 50-40	1	Bellcrank
31	539 10 49-84	1	Bolt, 3/8-24 x 4 1/2, special
32	539 10 11-73	8	Nut, 1/2, lug
33	539 10 77-13	2	Tire, rear, assembly
	539 10 77-15	1	Tire
	539 10 54-87	1	Rim
	539 91 22-34	1	Air valve
	539 97 68-56	6	Wire tie (Not shown)
34	539 11 00-39	4	Wheel stud, 1/2-20 x 1 3/8, Gr8

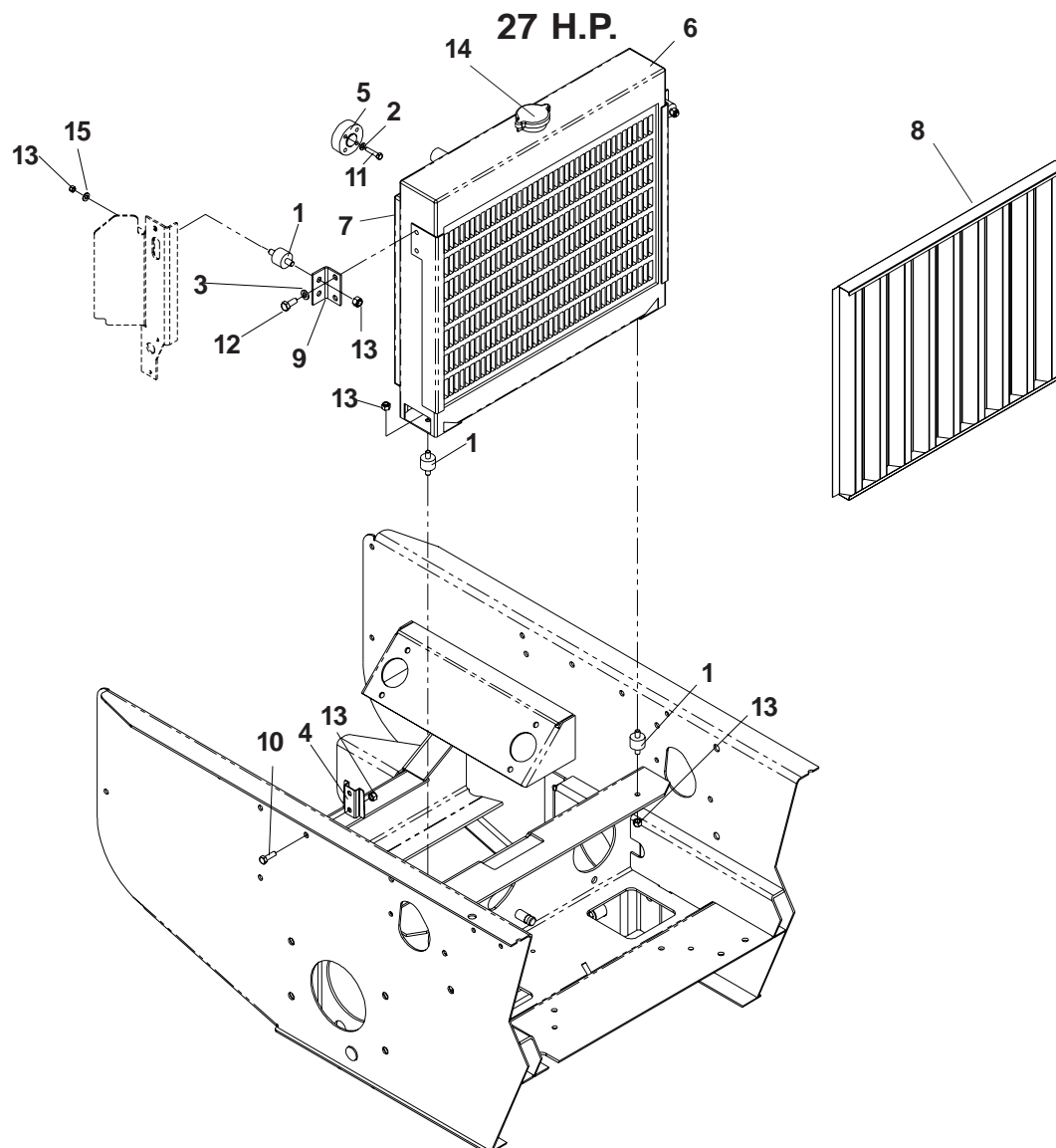
SEAT ASSEMBLY



SEAT ASSEMBLY

ITEM	PART NO.	QTY.	DESCRIPTION
1	539 10 83-60	1	Seat mount
2	539 10 50-38	1	Bracket, seat
3	539 10 50-39	4	Stud plate mount
4	539 10 32-47	2	Seat lanyard
5	539 10 78-59	1	Seat, suspension
6	539 99 05-80	2	Bolt, 1/4-20 x 3/4
7	539 99 02-09	2	Bolt, 5/16-18 x 1
8	539 10 13-41	2	Bolt, 3/8-16 x 3
9	539 97 69-78	6	Nut, 1/4-20, nyloc
10	539 99 07-17	6	Nut, 5/16-18, nyloc
11	539 99 05-46	4	Nut, 3/8-16, centerlock
12	539 99 06-92	4	Washer, 5/16
13	539 10 87-16	1	Armrest kit, left
14	539 10 87-17	1	Armrest kit, right
15	539 10 87-18	1	Seat cushion kit
16	539 10 87-19	1	Back cushion kit
17	539 10 87-20	1	Slide kit, seat adjustment
	539 10 87-45	1	Switch-snap mount kit (Not shown)
	539 11 14-34	1	Back, hard plastic prem seat (Not shown)

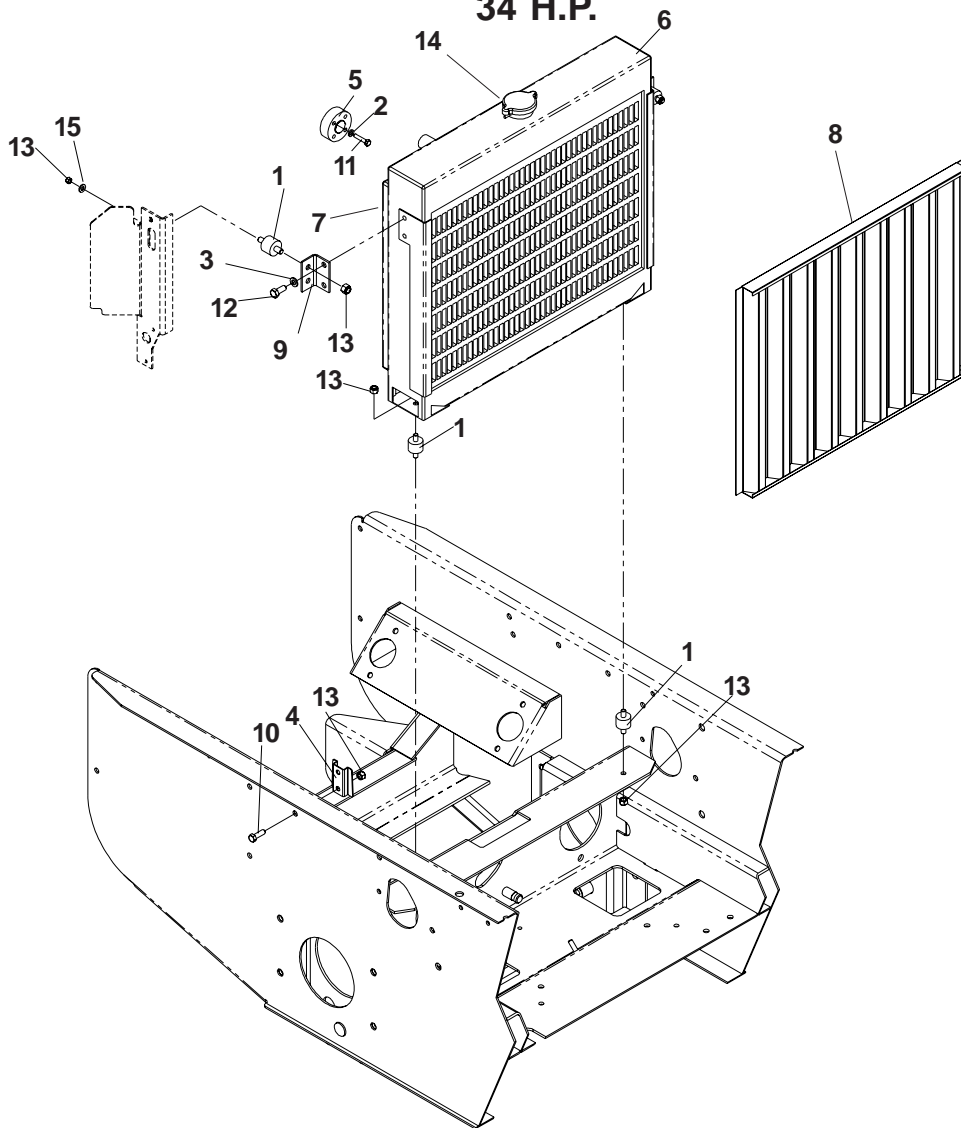
RADIATOR



ITEM	PART NO.	QTY.	DESCRIPTION
1	539 10 63-10	4	Isolator
2	539 99 00-52	4	Lockwasher, 1/4
3	539 99 01-87	2	Lockwasher, 5/16
4	539 10 78-55	1	Bracket, mounting
5	539 10 63-08	1	Spacer, fan
6	539 10 63-16	1	Radiator
7	539 10 63-11	1	Shroud
8	539 10 63-18	1	Debris guard
9	539 10 62-97	2	Bracket, isolator
10	539 99 02-09	1	Bolt, 5/16-18 x 1
11	539 10 63-07	4	Bolt, M6-1 x 30
12	539 97 69-34	2	Bolt, 5/16-18 x 3/4
13	539 99 07-17	9	Nut, 5/16-18
14	539 10 63-20	1	Cap, radiator
15	539 99 01-88	2	Washer, 5/16, SAE
	539 10 63-21	4	Clamp, hose (not shown)
	539 10 63-26	1	Hose, lower (not shown)
	539 10 63-25	1	Hose, upper (not shown)
	539 10 64-02	1	Overflow reservoir (not shown)
	539 10 63-22	2	Drain, radiator (not shown)

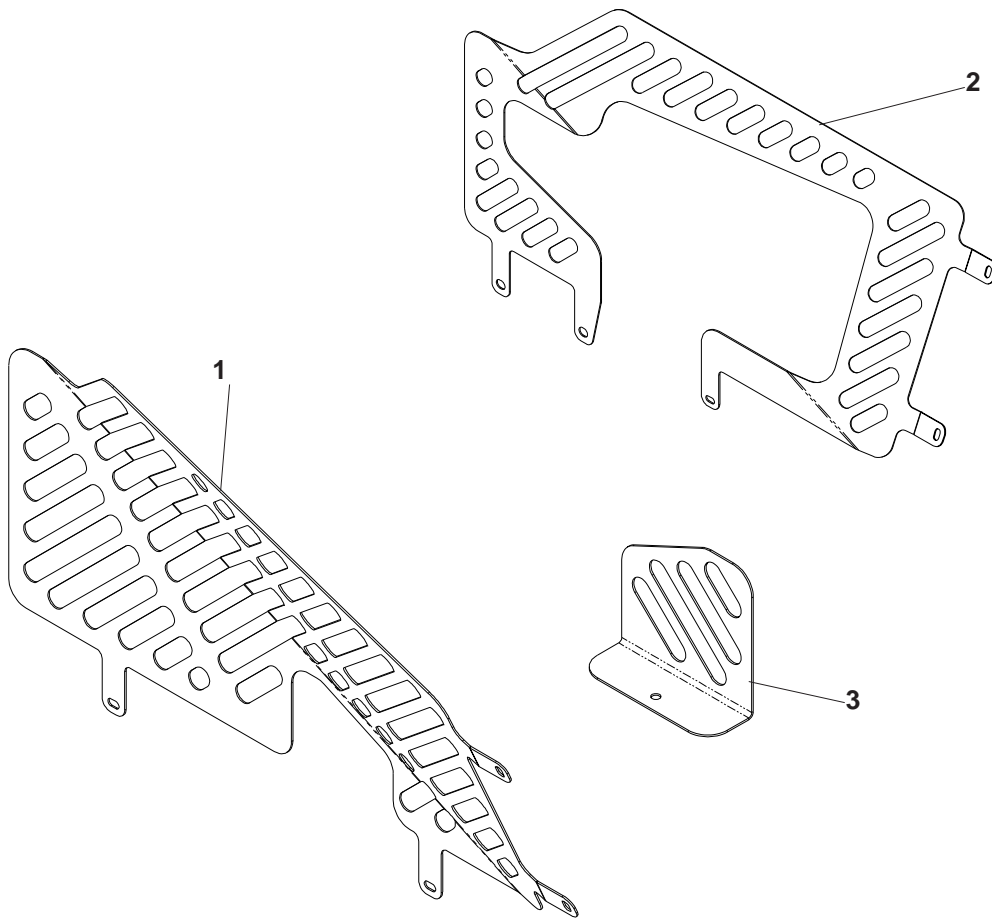
RADIATOR

34 H.P.



ITEM	PART NO.	QTY.	DESCRIPTION
1	539 10 63-10	4	Isolator
2	539 99 00-52	4	Lockwasher, 1/4
3	539 99 01-87	2	Lockwasher, 5/16
4	539 10 78-55	1	Bracket, mounting
5	539 10 79-95	1	Spacer, fan
6	539 10 63-16	1	Radiator
7	539 10 63-17	1	Shroud
8	539 10 63-18	1	Debris guard
9	539 10 62-97	2	Bracket, isolator
10	539 99 02-09	1	Bolt, 5/16-18 x 1
11	539 30 05-99	4	Bolt, M6-1 x 40
12	539 97 69-34	2	Bolt, 5/16-18 x 3/4
13	539 99 07-17	9	Nut, 5/16-18
14	539 10 63-20	1	Cap, radiator
15	539 99 01-88	2	Washer, 5/16, SAE
	539 10 63-21	4	Clamp, hose (not shown)
	539 10 63-26	1	Hose, lower (not shown)
	539 10 63-25	1	Hose, upper (not shown)
	539 10 64-02	1	Overflow reservoir (not shown)
	539 10 63-22	2	Drain, radiator (not shown)

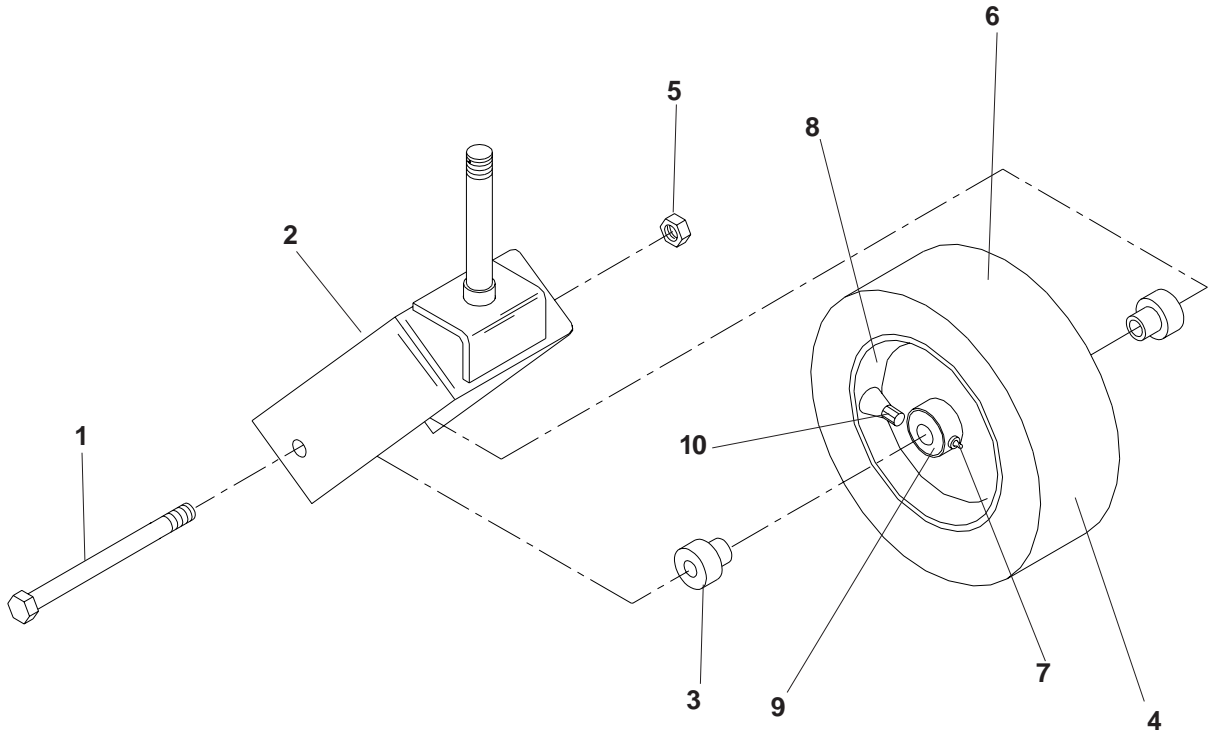
EC GUARD GROUP



ITEM	PART NO.	QTY.	DESCRIPTION
------	----------	------	-------------

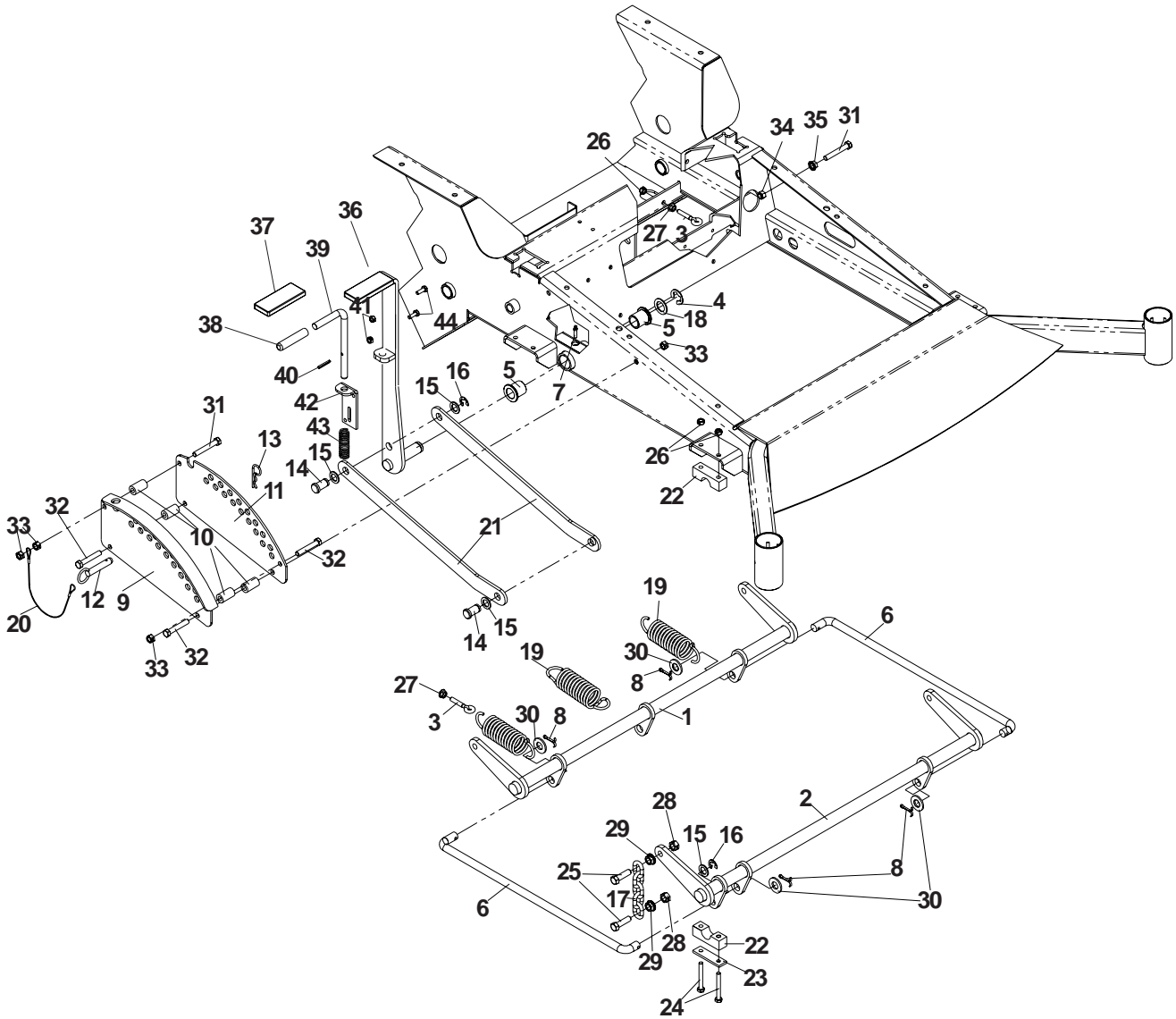
1	539 10 63-36	1	Guard, right
2	539 10 63-37	1	Guard, left
3	539 10 83-42	1	Access plate
	539 99 00-74	1	Screw, 1/4-20 x 3/4, rd head (Not shown)
	539 99 05-80	8	Bolt 1/4-20 x 3/4 (Not shown)
	539 97 69-78	9	Nut, 1/4-20, nyloc (Not shown)
	539 99 05-98	9	Washer, 1/4 (Not shown)

CASTER ASSEMBLY



ITEM	PART NO.	QTY.	DESCRIPTION
1	539 10 55-17	1	Bolt, 1/2-13 x 9 1/2, GD. 5
2	539 10 59-82	1	Yoke, caster
3	539 10 55-18	2	Spacer, axle
4	539 10 55-21	1	Tire & wheel assembly
5	539 10 13-31	1	Nut, 1/2-13, nyloc
6	539 10 55-22	1	Tire
7	539 10 33-00	1	Zerk
8	539 10 55-23	1	Rim
9	539 10 55-24	2	Seals
10	539 91 22-34	1	Air valve
	539 10 55-25	2	Bearing, tapered (Not shown)

DECK LIFT MANUAL

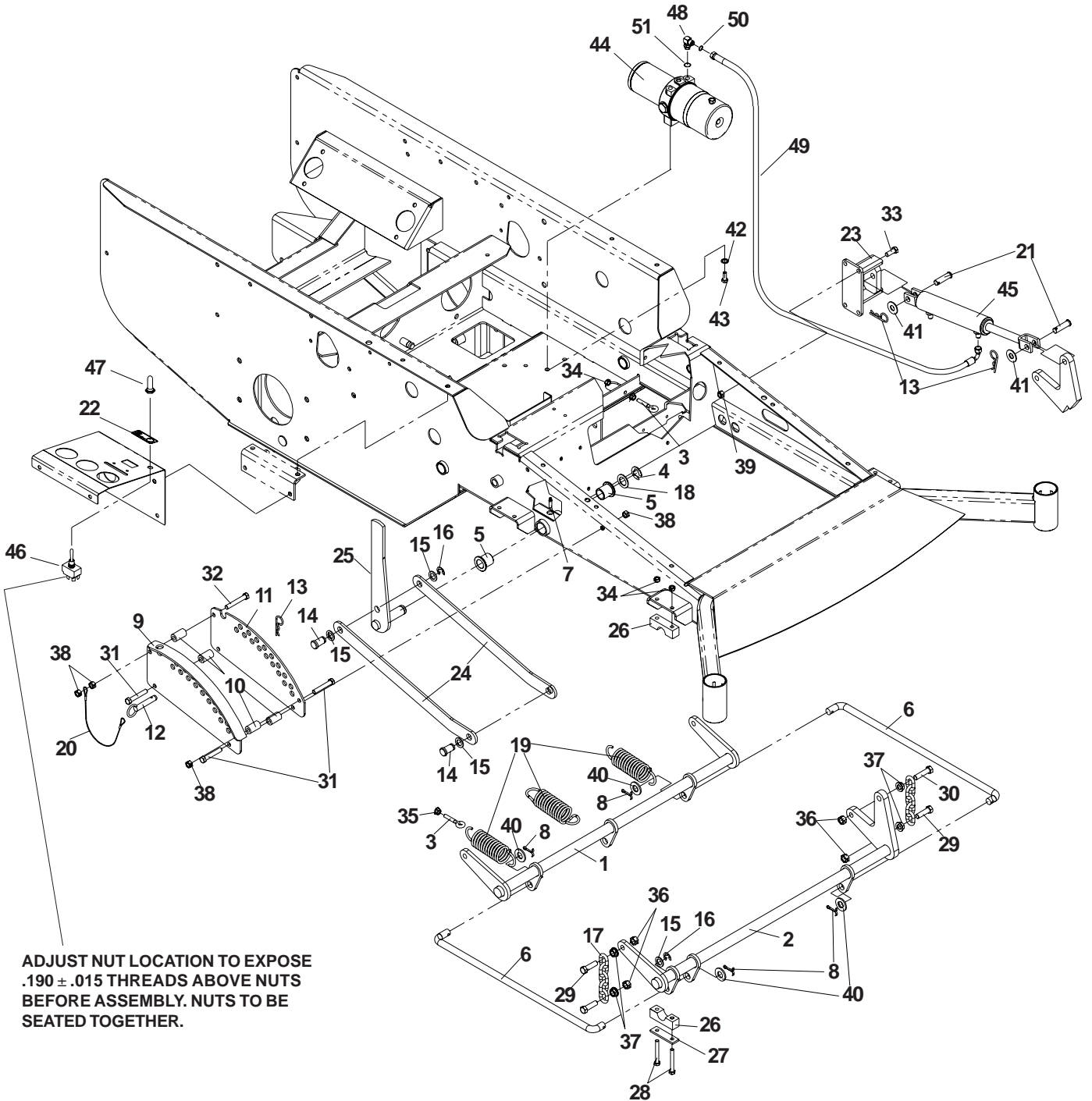


DECK LIFT

MANUAL

ITEM	PART NO.	QTY.	DESCRIPTION
1	539 10 83-54	1	Shaft, lift, rear
2	539 10 83-55	1	Shaft, lift, front
3	539 10 19-82	3	Eyebolt, right
4	539 10 18-02	1	E-ring, 7/8
5	539 10 12-32	2	Bushing, flanged-PM
6	539 10 43-10	2	Link, connecting
7	539 10 47-61	1	Zerk, long
8	539 99 06-54	4	Pin, cotter, 5/32 x 1 1/4
9	539 10 43-21	1	Adjustment plate
10	539 10 45-30	4	Spacer
11	539 10 43-23	1	Adjustment plate
12	539 10 25-26	1	Lift pin
13	539 97 69-89	1	Hairpin, #4
14	539 10 50-60	2	Pin, clevis
15	539 99 10-43	4	Bushing, machine, 5/8
16	539 10 50-69	2	E-ring, 5/8
17	539 10 26-41	4	Lift chain
18	539 92 37-87	1	Bushing, machine, 7/8
19	539 10 47-60	3	Spring, extension
20	539 10 50-59	1	Lanyard
21	539 10 50-50	2	Lift linkage
22	539 10 48-08	8	Pillow block
23	539 10 48-07	4	Bar, reinforcement
24	539 99 10-46	8	Bolt, 5/16-18 x 2 1/2
25	539 10 11-75	8	Bolt, 7/16-14 x 1 1/2
26	539 99 01-84	11	Nut, 5/16-18, centerlock
27	539 99 05-85	3	Nut, 5/16-18, serrated washer
28	539 99 08-39	8	Nut, 7/16-14, centerlock
29	539 10 25-82	8	Nut, 7/16-14, whiz
30	539 97 69-82	4	Washer, 5/8
31	539 99 06-37	2	Bolt, 3/8-16 x 2 1/2
32	539 99 06-29	3	Bolt, 3/8-16 x 2 1/4
33	539 99 05-46	5	Nut, 3/8-16, centerlock
34	539 97 69-79	1	Nut, 3/8-16, nyloc
35	539 99 06-13	1	Nut, 3/8-16, serrated washer
36	539 10 83-22	1	Lever
37	539 10 25-15	1	Grip
38	539 10 10-50	1	Grip
39	539 10 45-23	1	Pin
40	539 10 65-32	1	Pin, 3/16 x 1 1/4, grooved
41	539 99 07-61	2	Nut, 1/4-20, centerlock
42	539 10 35-34	1	Pin mt, upper
43	539 10 10-58	1	Spring
44	539 99 05-80	2	Bolt, 1/4-20 x 3/4
	539 10 63-45	1	Plug (Not shown)(Top of Right Console)

DECK LIFT POWER



ADJUST NUT LOCATION TO EXPOSE
.190 ± .015 THREADS ABOVE NUTS
BEFORE ASSEMBLY. NUTS TO BE
SEATED TOGETHER.

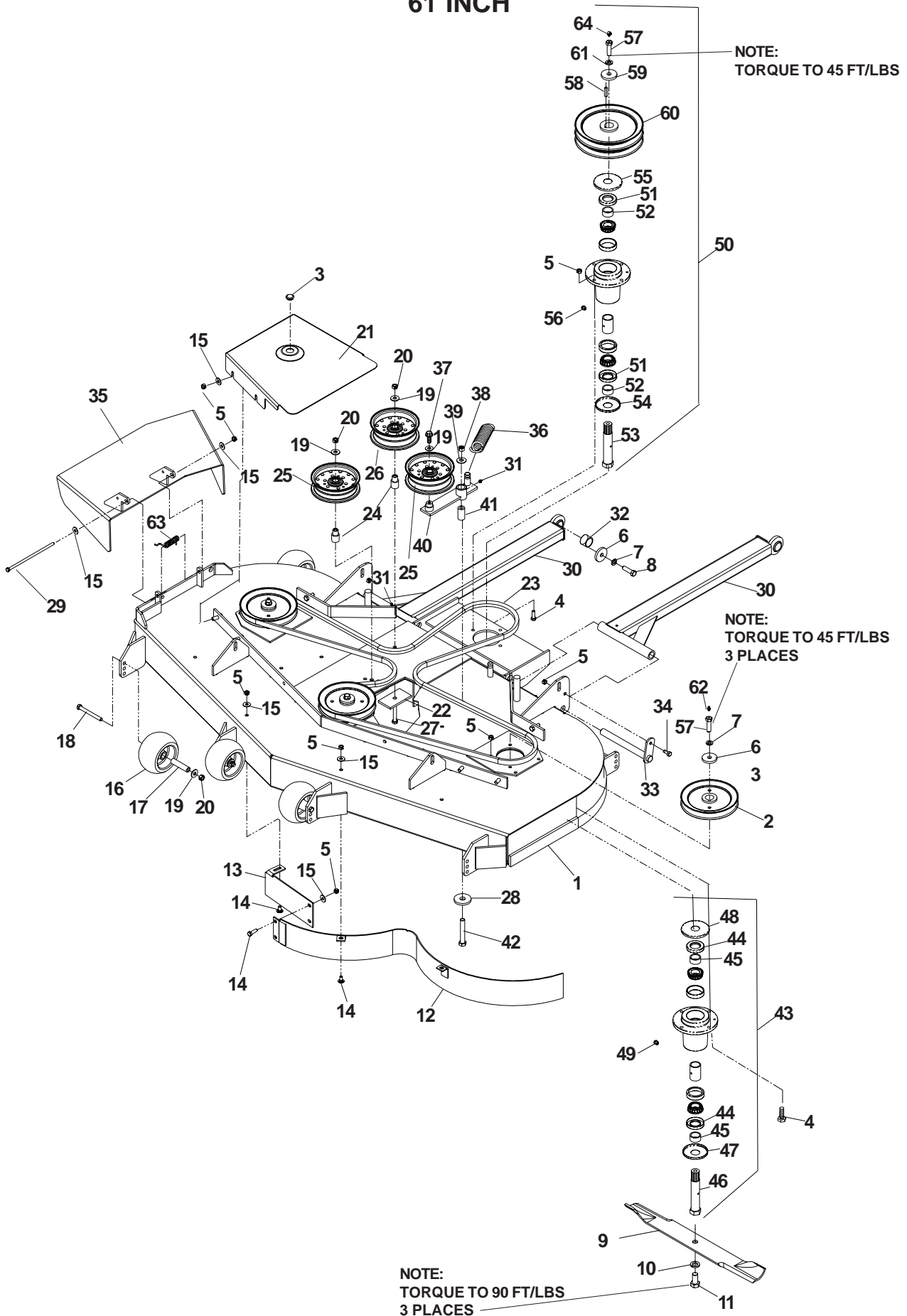
DECK LIFT

POWER

ITEM	PART NO.	QTY.	DESCRIPTION
1	539 10 83-54	1	Shaft, lift, rear
2	539 10 71-34	1	Shaft, lift, front
3	539 10 19-82	3	Eyebolt, right
4	539 10 18-02	1	E-ring, 7/8
5	539 10 12-32	2	Bushing, flanged-PM
6	539 10 43-10	2	Link, connecting
7	539 10 47-61	1	Zerk, long
8	539 99 06-54	4	Pin, cotter, 5/32 x 1 1/4
9	539 10 43-21	1	Adjustment plate
10	539 10 45-30	4	Spacer
11	539 10 43-23	1	Adjustment plate
12	539 10 25-26	1	Lift pin
13	539 97 69-89	1	Hairpin, #4
14	539 10 50-60	2	Pin, clevis
15	539 99 10-43	4	Bushing, machine, 5/8
16	539 10 50-69	2	E-ring, 5/8
17	539 10 26-41	4	Lift chain
18	539 92 37-87	1	Bushing, machine, 7/8
19	539 10 47-60	3	Spring, extension
20	539 10 50-59	1	Lanyard
21	539 10 72-27	2	Pin, clevis, 1/2 x 1 3/4
22	539 10 82-32	1	Decal, lift switch
23	539 10 71-30	1	Cylinder mounting
24	539 10 50-50	2	Lift linkage
25	539 10 71-37	1	Lift lever
26	539 10 48-08	8	Pillow block
27	539 10 48-07	4	Bar, reinforcement
28	539 99 10-46	8	Bolt, 5/16-18 x 2 1/2
29	539 10 11-75	7	Bolt, 7/16-14 x 1 1/2
30	539 10 80-73	1	Bolt, 7/16-14 x 1 3/4, GR 5
31	539 99 0629	3	Bolt, 3/8-16 x 2 1/4
32	539 99 06-37	1	Bolt, 3/8-16 x 2 1/2
33	539 99 05-63	4	Bolt, 3/8-16 x 1
34	539 99 01-84	11	Nut, 5/16-18, centerlock
35	539 99 05-85	3	Nut, 5/16-18, serrated washer
36	539 99 08-39	8	Nut, 7/16-14, centerlock
37	539 10 25-82	8	Nut, 7/16-14, whiz
38	539 99 05-46	5	Nut, 3/8-16, centerlock
39	539 97 69-79	4	Nut, 3/8-16, nyloc
40	539 97 69-82	4	Washer, 5/8
41	539 99 05-50	2	Washer, 1/2
42	539 99 01-18	2	Lockwasher, 3/8
43	539 99 01-34	2	Bolt, 3/8-16 x 3/4
44	539 10 72-26	1	Power unit/hydraulic lift
45	539 10 77-69	1	Cylinder
46	539 10 78-68	1	Switch
47	539 10 78-69	1	Switch boot
48	539 10 78-70	2	Fitting
49	539 11 18-43	2	Hose assembly
50	539 10 89-84	2	`O' ring
51	539 10 89-85	2	`O' ring

DECK ASSEMBLY

61 INCH



DECK ASSEMBLY

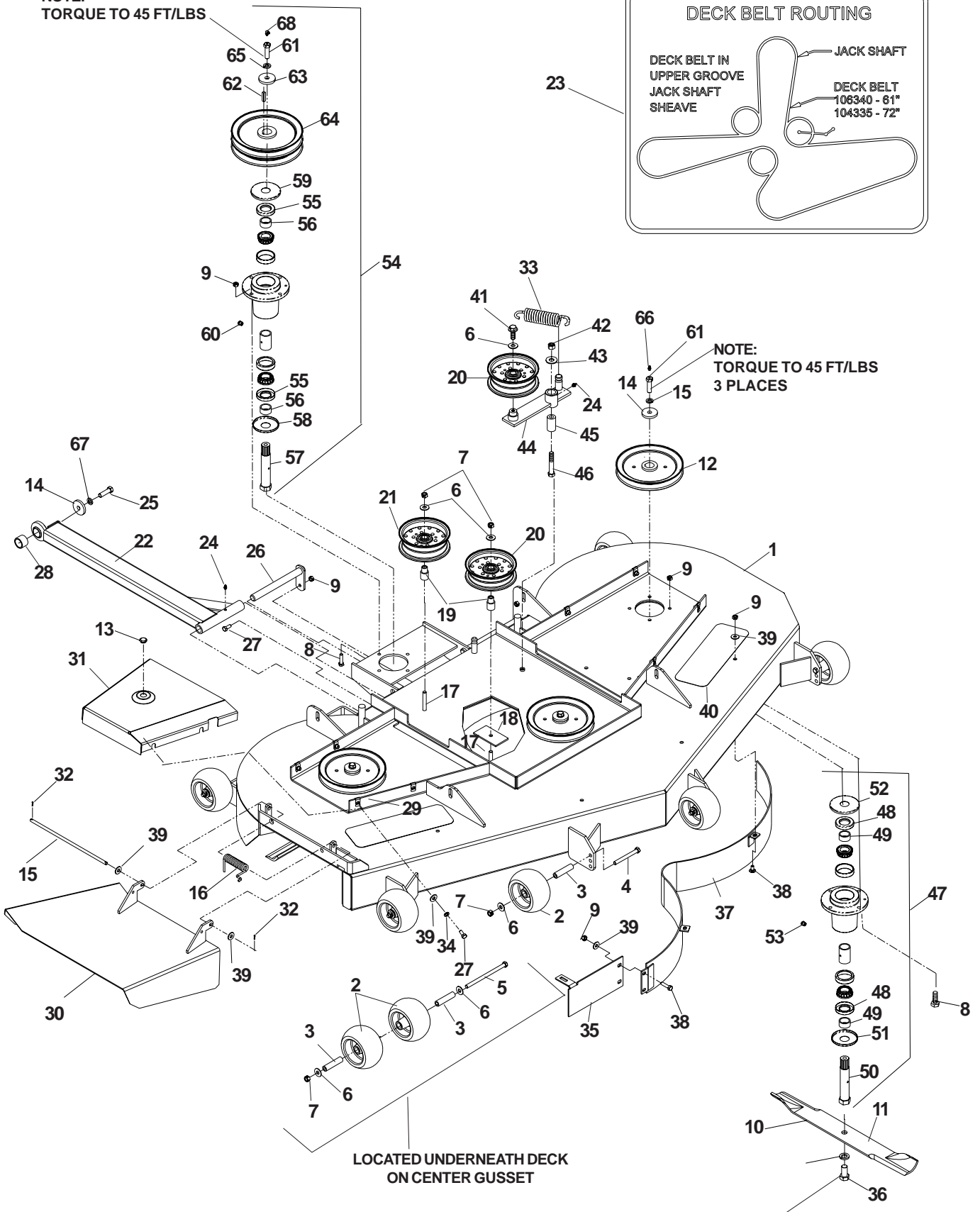
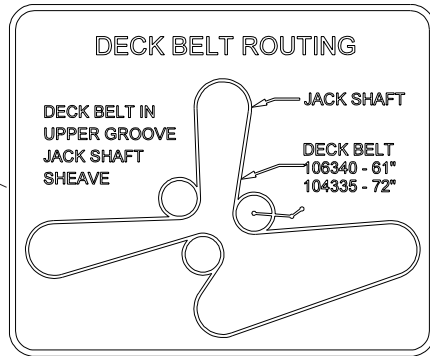
61 INCH

ITEM	PART NO.	QTY.	DESCRIPTION	ITEM	PART NO.	QTY.	DESCRIPTION
1	539 10 62-17	1	61" Deck w/decals	30	539 10 77-51	2	Strut weldment
2	539 10 72-78	3	Pulley	31	539 97 69-98	2	Zerk
3	539 10 83-82	2	Plug, button hole	32	539 10 64-01	1	Spacer, strut
4	539 99 02-09	18	Bolt, 5/16-18 x 1	33	539 10 54-80	2	Pin weldment
5	539 99 01-84	31	Nut, 5/16-18, centerlock	34	539 97 69-34	2	Bolt, 5/16-18 x 3/4
6	539 10 65-04	5	Washer, heavy	35	539 10 65-12	1	Chute, discharge
7	539 99 02-47	5	Lockwasher, 7/16	36	539 10 51-92	1	Spring
8	539 10 01-41	2	Bolt, 7/16-20 x 1 1/2	37	539 99 05-82	1	Bolt, 3/8-16 x 1, ser.
9	539 10 17-33	3	Blade, 21"	38	539 10 13-31	1	Nut, 1/2-13, nyloc
10	539 99 03-33	3	Lockwasher, 5/8	39	539 99 05-50	1	Washer, 1/2
11	539 10 32-99	3	Bolt, 5/8-18 x 1 1/4	40	539 10 32-30	1	Idler arm
12	539 10 54-65	1	Main weldment	41	539 10 34-27	1	Bushing, pivot
13	539 10 54-61	1	Baffle, center	42	539 10 34-33	1	Bolt, 1/2-13 x 3 1/4, GD. 5
14	539 99 07-99	5	Bolt, 5/16-18 x 5/8, carriage	43	539 10 87-73	1	Cutter housing, complete
15	539 99 06-92	11	Washer, 5/16	44	539 10 87-54	2	Shaft seal
16	539 10 26-43	6	Anit-scalp roller	45	539 10 87-58	2	Spacer
17	539 10 26-98	6	Bushing	46	539 10 87-60	1	Minispindle
18	539 10 27-54	6	Bolt, 3/8-16 x 3 1/2	47	539 10 84-49	1	Dust cap, bottom
19	539 99 05-17	8	Washer, 3/8	48	539 10 84-50	1	Dust cap, top
20	539 99 05-46	8	Nut 3/8-16, centerlock	49	539 97 73-26	1	Grease popet
21	539 10 89-14	1	Belt shield, 61", right	50	539 10 87-68	1	Jackshaft assembly, lower
	539 10 89-16	1	Belt shield, 61", left (Not shown)	51	539 10 87-54	2	Shaft seal
22	539 10 33-03	2	Pad	52	539 10 87-58	2	Spacer
23	539 10 63-40	1	Belt, 61"	53	539 10 87-67	1	Jackshaft spindle
24	539 10 32-95	2	Bushing, idler	54	539 10 84-49	1	Dust cap, bottom
25	539 10 32-57	2	Pulley, idler	55	539 10 84-50	1	Dust cap, top
26	539 10 32-58	1	Pulley, idler, tall	56	539 97 73-26	1	Grease popet
27	539 99 06-37	2	Bolt, 3/8-16 x 2 1/2	57	539 10 11-75	4	Bolt, 7/16-20 x 1 1/2, GD. 5, special
28	539 10 22-43	1	Washer, support	58	539 10 19-95	1	Key, 1/4" sq. x 1 1/8"
29	539 10 58-27	1	Screw, 5/16-18 x 8 1/2	59	539 10 65-04	1	Washer, heavy
				60	539 10 63-46	1	Sheave
				61	539 99 02-47	1	Lockwasher, 7/16
				62	539 97 69-98	3	Zerk
				63	539 10 58-22	1	Spring torsion
				64	539 91 27-58	1	Zerk, 90°

DECK ASSEMBLY

72 INCH

NOTE:
TORQUE TO 45 FT/LBS



NOTE:
TORQUE TO 45 FT/LBS
3 PLACES

LOCATED UNDERNEATH DECK
ON CENTER GUSSET

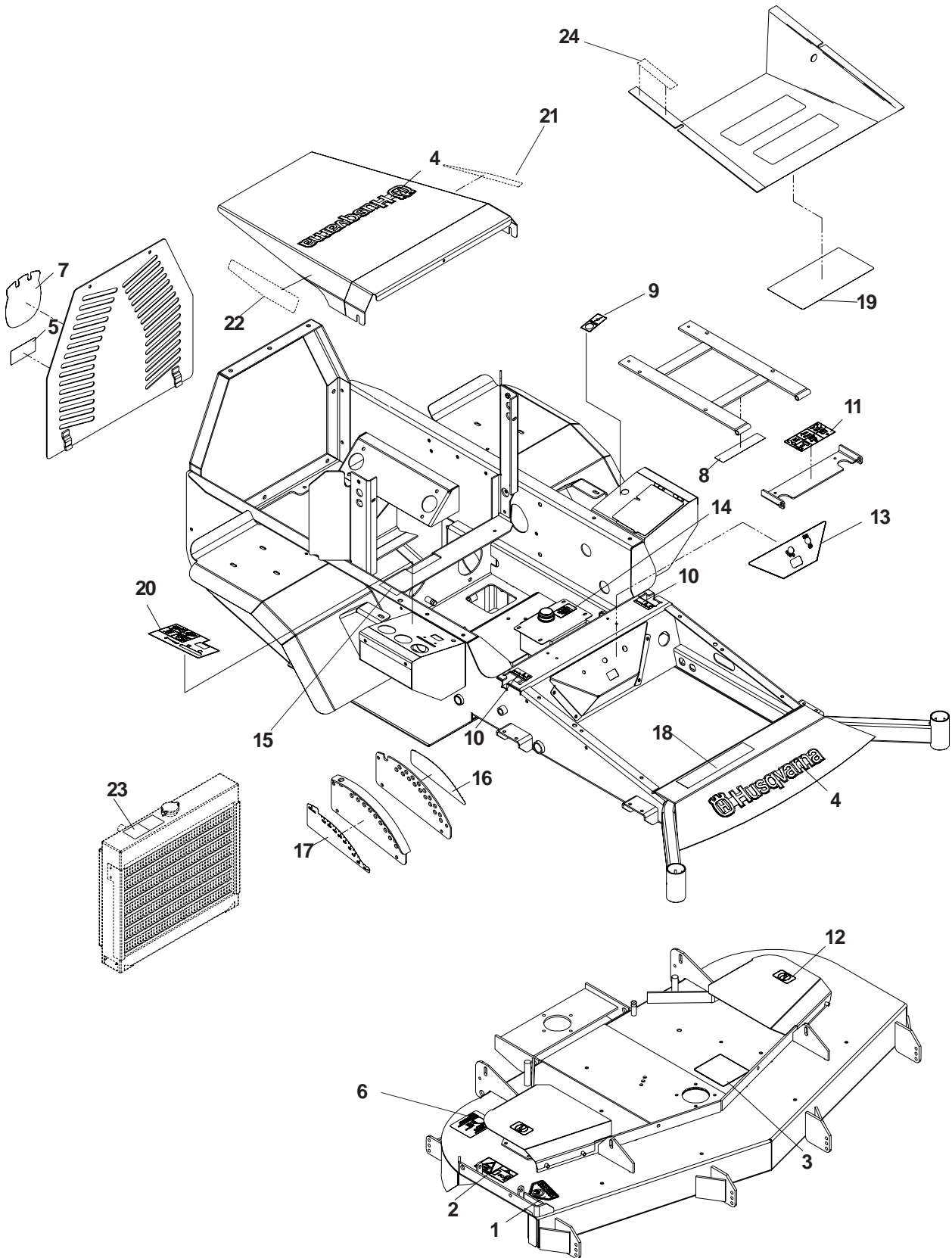
NOTE:
TORQUE TO 90 FT/LBS
3 PLACES

DECK ASSEMBLY

72 INCH

ITEM	PART NO.	QTY.	DESCRIPTION	ITEM	PART NO.	QTY.	DESCRIPTION
1	539 10 62-18	1	72" Deck w/decals	34	539 99 01-87	8	Lockwasher, 5/16
2	539 10 26-43	8	Anti-scalp roller	35	539 10 56-15	1	Baffle, center
3	539 10 26-98	8	Bushing	36	539 10 56-33	3	Bolt, 5/8-18 x 2, Gd. 8
4	539 10 27-54	6	Bolt, 3/8-16 x 3 1/2	37	539 10 56-14	1	Baffle, center curved
5	539 10 54-22	1	Bolt, 3/8-16 x 6, Gd. 8	38	539 99 07-99	5	Bolt, 5/16-18 x 5/8, carriage
6	539 99 05-17	11	Washer, 3/8	39	539 99 06-92	13	Washer, 5/16
7	539 99 05-46	9	Nut, 3/8-16, centerlock	40	539 97 77-78	2	Pad, abrasive
8	539 99 02-09	18	Bolt, 5/16-18 x 1	41	539 99 05-82	1	Bolt, 3/8-16 x 1, ser.
9	539 99 01-84	25	Nut, 5/16-18, centerlock	42	539 10 13-31	1	Nut, 1/2-13, nyloc
10	539 10 54-76	3	Blade, 25"	43	539 99 05-50	1	Washer, 1/2
11	539 10 56-34	3	Washer, 5/8, spring	44	539 10 32-30	1	Idler arm
12	539 10 72-79	3	Pulley	45	539 10 34-27	1	Bushing, pivot
13	539 10 83-82	2	Plug, button hole	46	539 10 34-33	1	Bolt, 1/2-13 x 3 1/4, Gd. 5
14	539 10 65-04	5	Washer, heavy	47	539 10 87-74	1	Cutter housing, complete
15	539 10 83-18	1	Pivot pin	48	539 10 87-54	2	Shaft seal
16	539 10 58-22	1	Spring, torsion	49	539 10 87-58	2	Spacer
17	539 99 06-37	2	Bolt, 3/8-16 x 2 1/2	50	539 10 87-61	1	Minispindle
18	539 10 33-03	2	Pad	51	539 10 84-49	1	Dust cap, bottom
19	539 10 32-95	2	Bushing, idler	52	539 10 84-50	1	Dust cap, top
20	539 10 32-57	1	Pulley, idler	53	539 97 73-26	1	Grease popet
21	539 10 32-58	2	Pulley, idler (tall)	54	539 10 87-68	1	Jackshaft assembly, lower
22	539 10 77-50	1	Strut, right	55	539 10 87-54	2	Shaft seal
	539 10 77-51	1	Strut, left (Not shown)	56	539 10 87-58	2	Spacer
23	539 10 43-35	1	72" Deck belt	57	539 10 87-67	1	Jackshaft spindle
24	539 97 69-98	3	Zerk	58	539 10 84-49	1	Dust cap, bottom
25	539 10 01-41	2	Bolt, 7/16-20 x 1 1/2	59	539 10 84-50	1	Dust cap, top
26	539 10 54-80	1	Pin	60	539 97 73-26	1	Grease popet
	539 10 26-19	1	Pin, pivot (Not shown)	61	539 10 11-75	4	Bolt, 7/16-20 x 1 1/2, GD. 5, special
27	539 97 69-34	10	Bolt, 5/16-18 x 3/4	62	539 10 19-95	1	Key, 1/4" sq. x 1 1/8"
28	539 10 64-01	1	Spacer, strut	63	539 10 65-04	1	Washer, heavy
29	539 10 47-63	8	"U" clip	64	539 10 63-46	1	Sheave
30	539 10 82-70	1	Chute, discharge	65	539 99 02-47	1	Lockwasher, 7/16
31	539 10 89-33	1	Shield, belt, right	66	539 97 69-98	3	Zerk
	539 10 89-34	1	Shield, belt, left (Not shown)	67	539 99 02-47	5	Lockwasher, 7/16
32	539 99 00-42	2	Cotter pin 1/8" x 1 1/4"	68	539 91 27-58	1	Zerk, 90°
33	539 10 51-92	1	Spring				

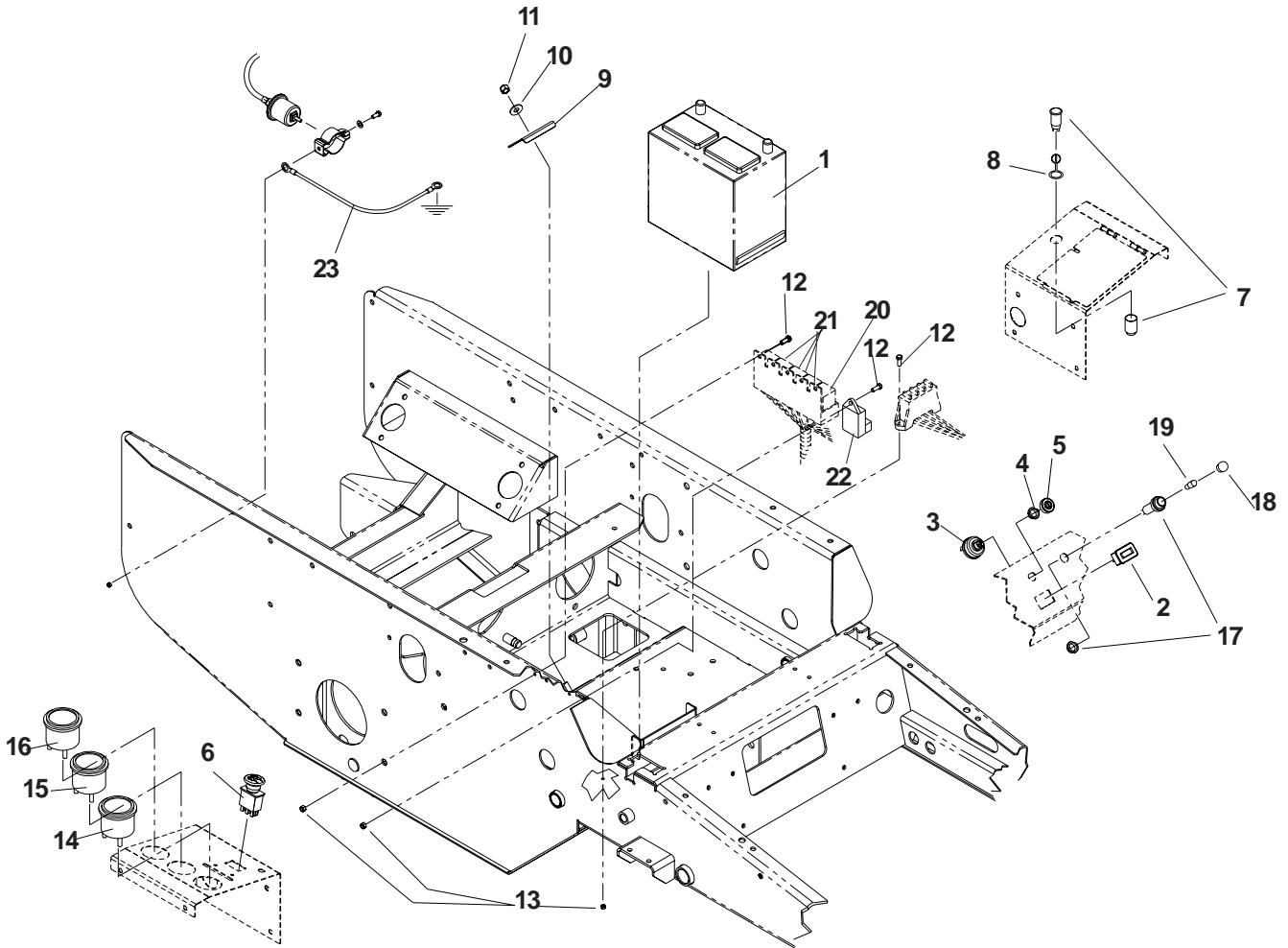
DECALS



DECALS

ITEM	PART NO.	QTY.	DESCRIPTION
1	539 91 30-10	1	Decal, CPSC
2	539 10 57-46	1	Decal, Euro servering
3	539 10 83-35	1	Decal, Belt routing
4	539 10 47-90	2	Decal, Husqvarna
5	539 10 57-44	1	Decal, Euro danger, belt drives
6	539 10 52-32	1	Decal, Anti-scalp
7	539 10 58-03	1	Decal, crown
8	539 10 57-45	1	Decal, Euro battery warning
9	539 10 81-23	1	Decal, 12V DC
10	539 10 33-33	2	Decal, Motion control
11	539 10 57-85	1	Decal, Euro warning
12	539 10 57-43	2	Decal, Euro no step
13	539 10 81-21	1	Decal, Front Console
14	539 10 53-01	1	Decal, Mobil
15	539 10 53-34	1	Decal, Fuel valve
16	539 10 60-66	1	Decal, Height indication, metric
17	539 10 60-65	1	Decal, Height indication, metric
18	539 10 62-53	1	Decal, BZE6127D
	539 10 62-54	1	Decal, BZE6134D
	539 10 62-55	1	Decal, BZE7234D
19	539 10 81-24	1	Decal, Service
20	539 10 81-22	1	Decal, Right Console
21	539 10 82-62	1	Decal, 34 Turbo, left
22	539 10 82-63	1	Decal, 34 Turbo, right
23	539 10 84-97	1	Decal, HOT
24	539 10 58-29	1	Decal, Sound power
	539 10 01-28	1	Decal, engine exhaust (Not shown)

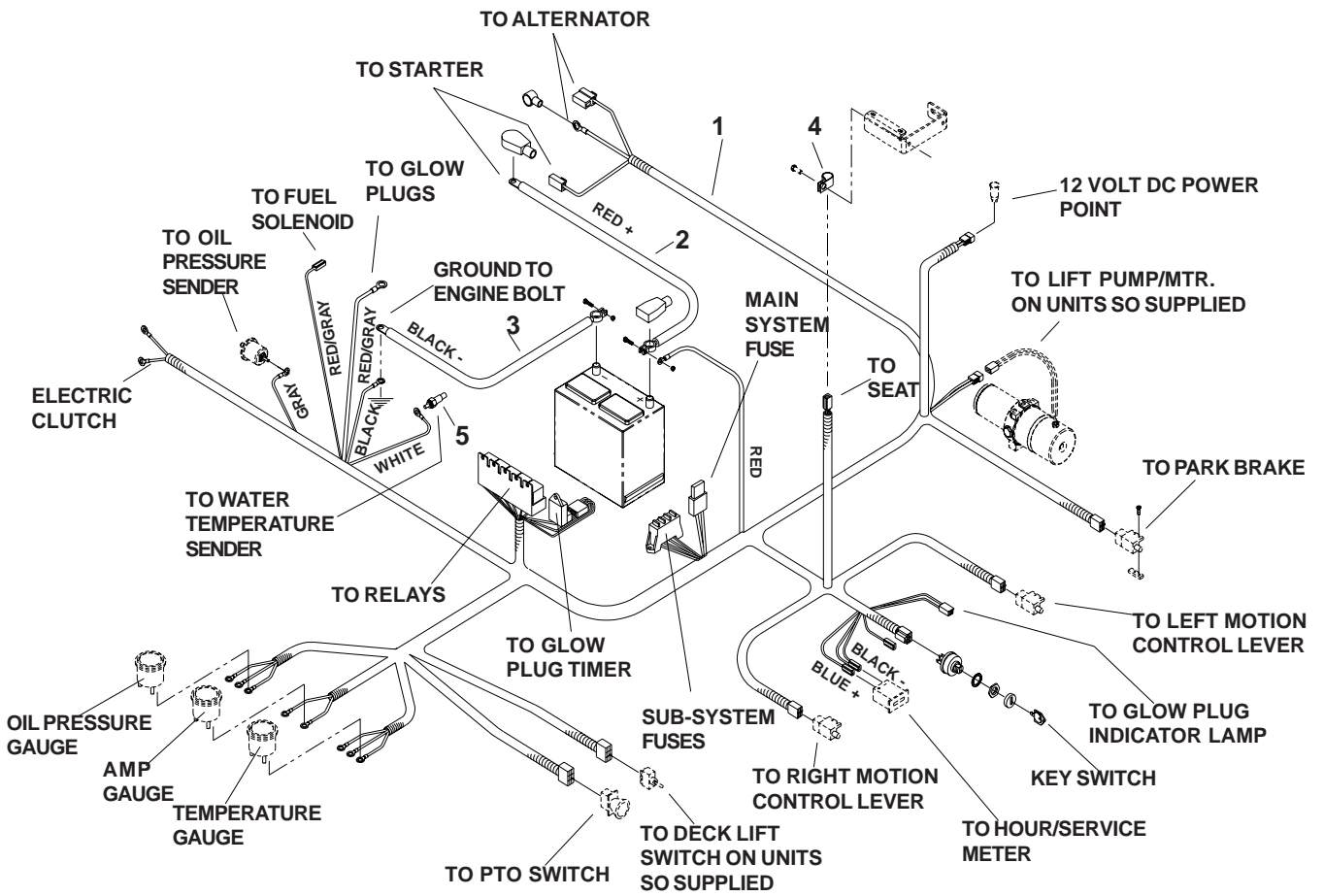
ELECTRICAL GROUP



ELECTRICAL GROUP

ITEM	PART NO.	QTY.	DESCRIPTION
1	539 10 24-23	1	Battery
2	539 10 80-16	1	Hourmeter, LCD w/flash alert
3	539 10 17-70	1	Switch, ignition
4	539 10 31-77	1	Nut, ignition switch
5	539 10 31-78	1	Cap, ignition switch nut
6	539 10 17-68	1	Switch, clutch
7	539 10 78-56	1	Power source housing
8	539 10 78-57	1	Power source cap
9	539 10 77-55	1	Clamp
10	539 99 06-92	1	Washer, 5/16
11	539 99 07-17	1	Nut, 5/16-18
12	539 10 63-12	5	Bolt, , #10-24 x 3/4
13	539 97 69-77	5	Nut, #10-24, nyloc
14	539 10 52-46	1	Gauge, temperature
15	539 10 63-88	1	Gauge, amperes
16	539 10 63-87	1	Gaure, oil pressure
17	539 10 79-20	1	Lamp socket
18	539 10 81-74	1	Lens
19	539 10 81-75	1	Lamp
20	539 10 83-61	1	Relay, glow plug
21	539 10 29-14	4	Relay
22	539 10 83-48	1	Timer /glow plug
	539 10 17-71	1	Fuse, 7.5 AMP, 32 volts, (Not Shown)
	539 10 20-86	1	Fuse, 20 AMP, 32 volts, (Not Shown)
	539 10 89-78	1	Fuse, 10 AMP, 32 volts, (Not Shown)
	539 10 89-79	1	Fuse, 30 AMP, 32 volts, (Not Shown)
	539 10 89-80	1	Fuse, 50 AMP, 32 volts, (Not Shown)
23	539 10 93-46	1	Ground

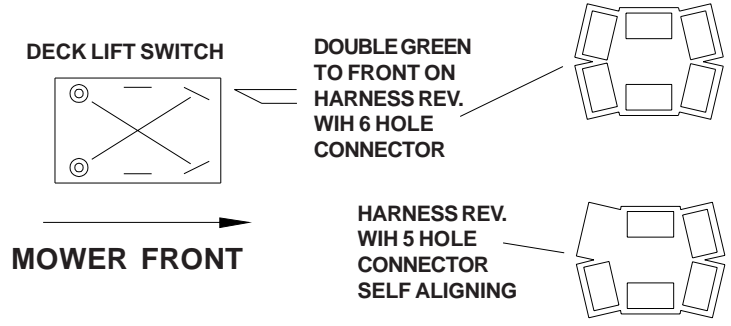
WIRE HARNESS



ITEM PART NO. QTY. DESCRIPTION

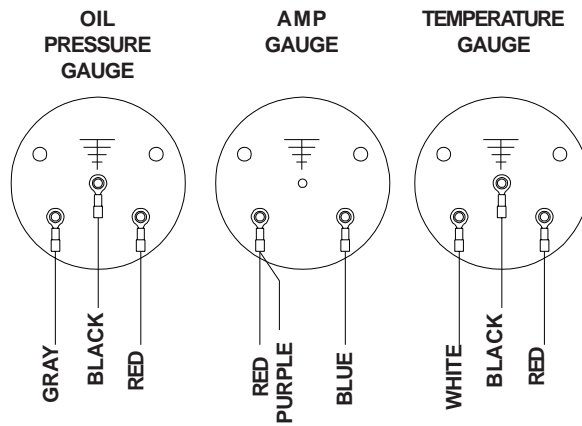
1	539 10 63-90	1	Harness, engine, diesel
2	539 10 79-41	1	Cable, positive
3	539 10 79-42	1	Cable, negative
4	539 10 26-85	1	Loom clip
5	539 10 63-86	1	Sender, temperature

**DECK LIFT SWITCH
VIEWED FROM TERMINAL SIDE**

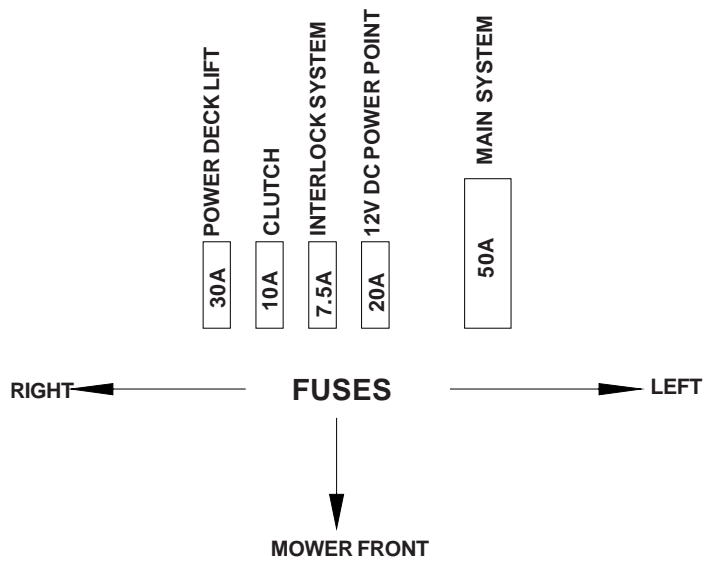
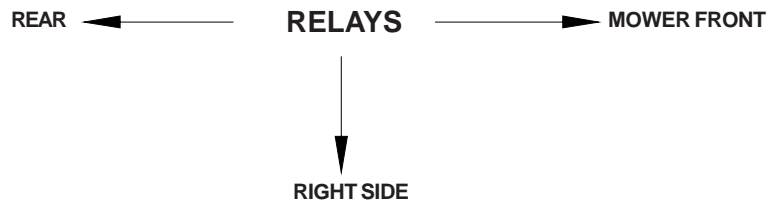
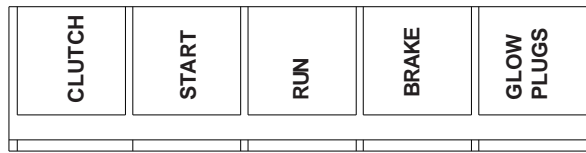


WIRE HARNESS

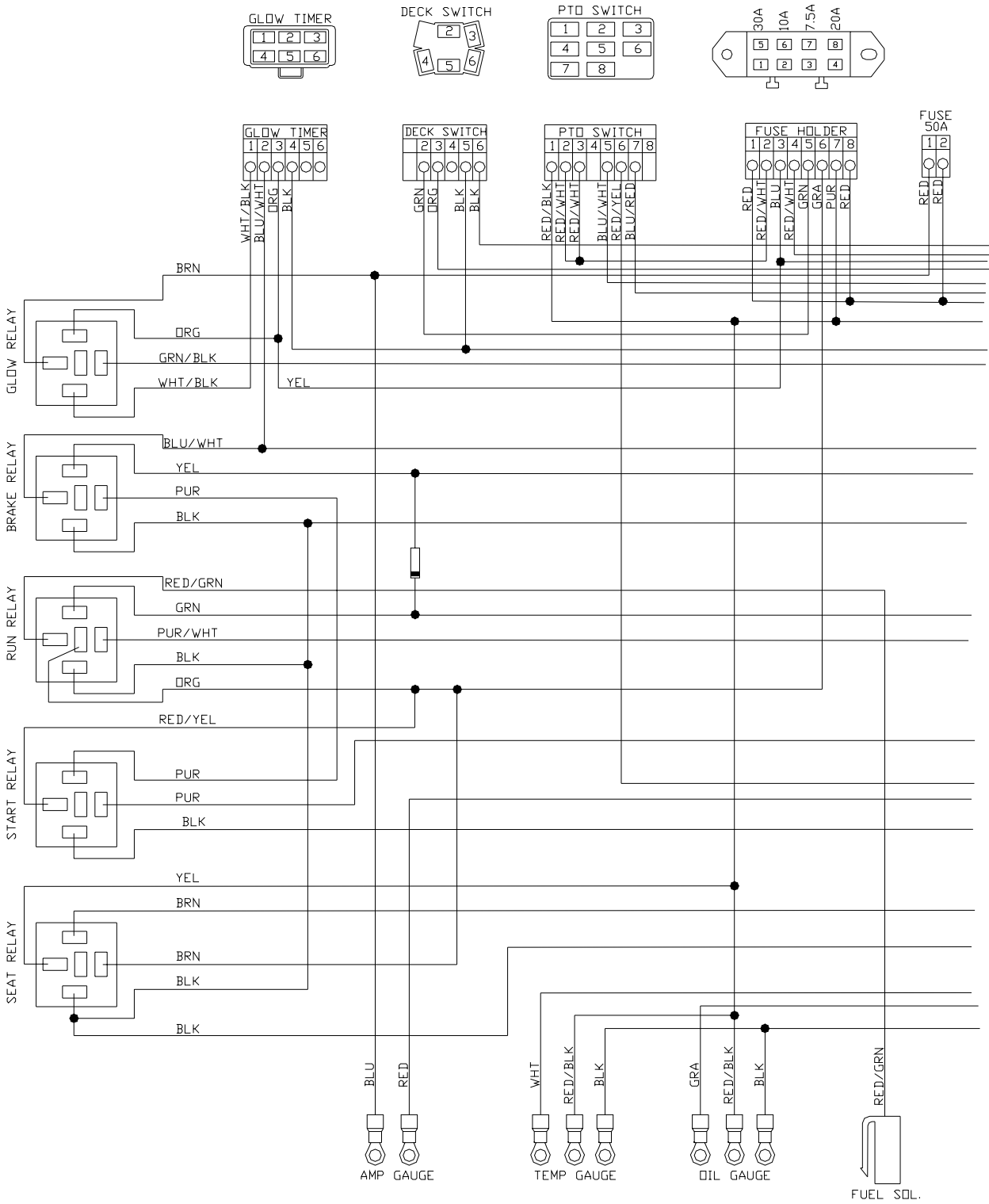
GAUGE WIRING VIEWED FROM TERMINAL SIDE



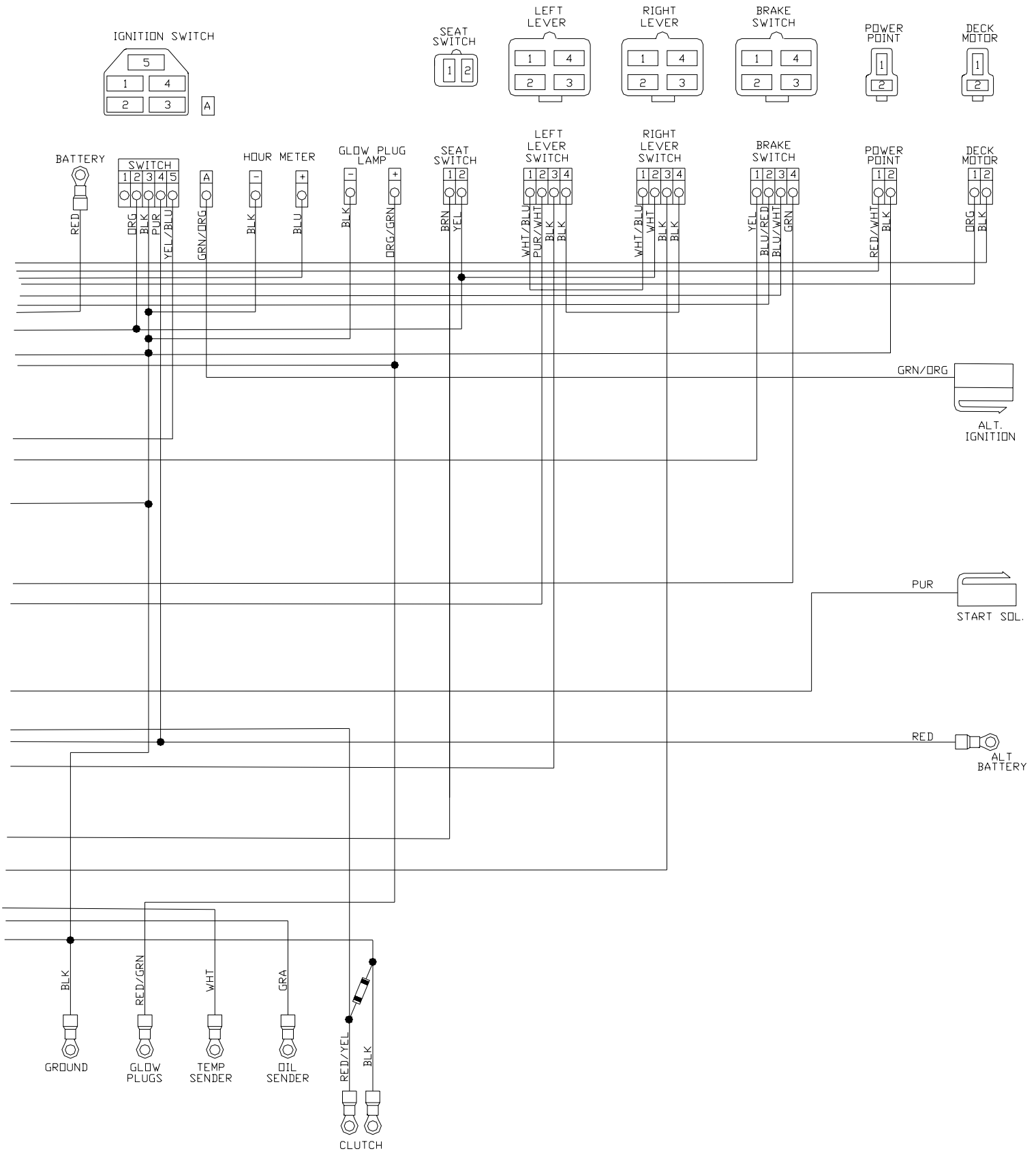
MOWER FRONT



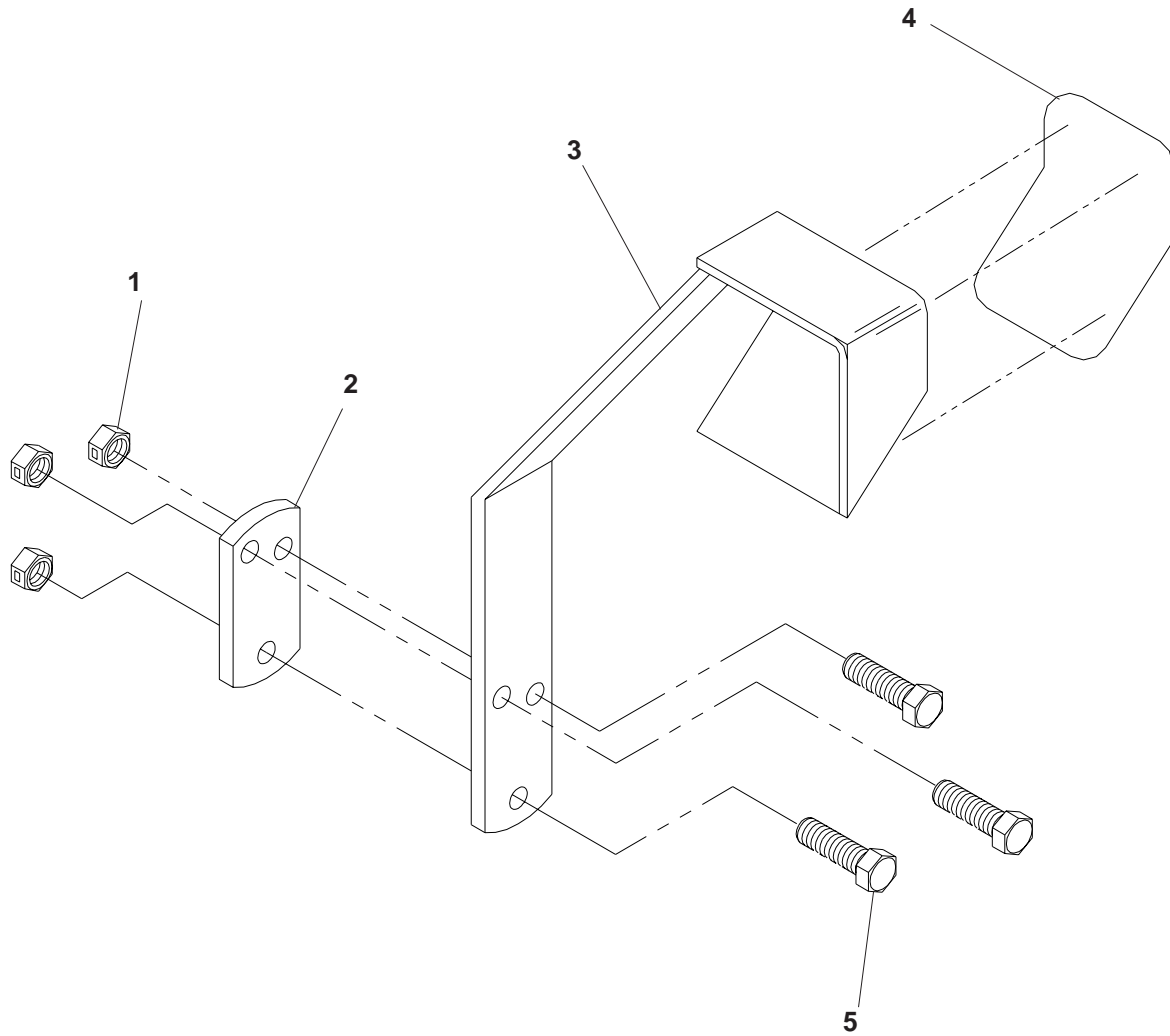
WIRING SCHEMATIC



WIRING SCHEMATIC



FOOT PEDAL



ITEM	PART NO.	QTY.	DESCRIPTION
1	539 97 69-79	3	Nut, 3/8-16, nyloc
2	539 10 51-84	1	Plate, tightening
3	539 10 51-81	1	Pedal, lift
4	539 10 51-87	1	Pad, anti-skid
5	539 99 06-55	3	Bolt 3/8-16 x 1 1/2