

R152SV

Spare parts

Ersatzteile

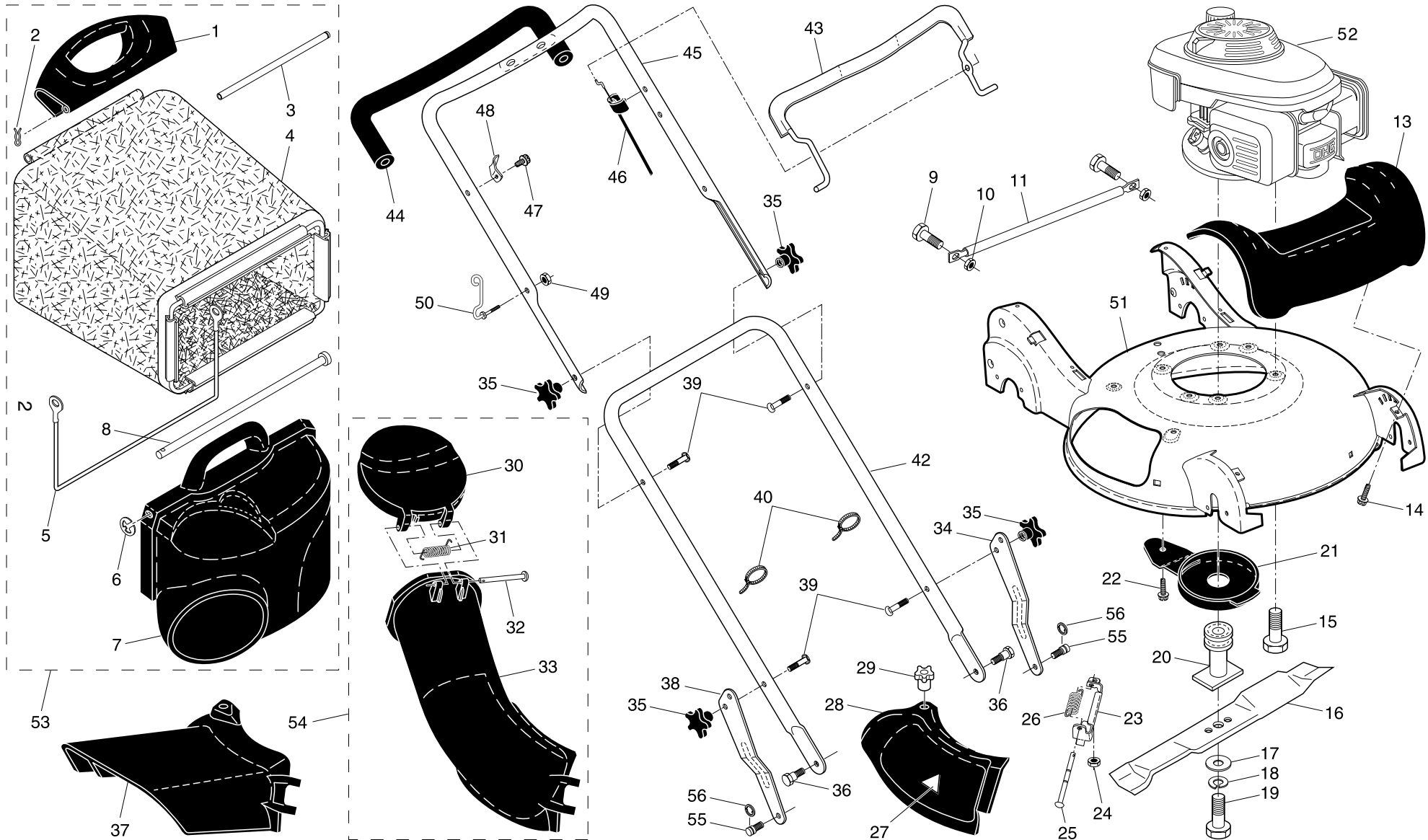
Pièces détachées

Reserve onderdelen

Repuestos

Reservdelar

ROTARY LAWN MOWER - - MODEL NUMBER R152SV (95417021700) PRODUCT NUMBER 954 17 02-17



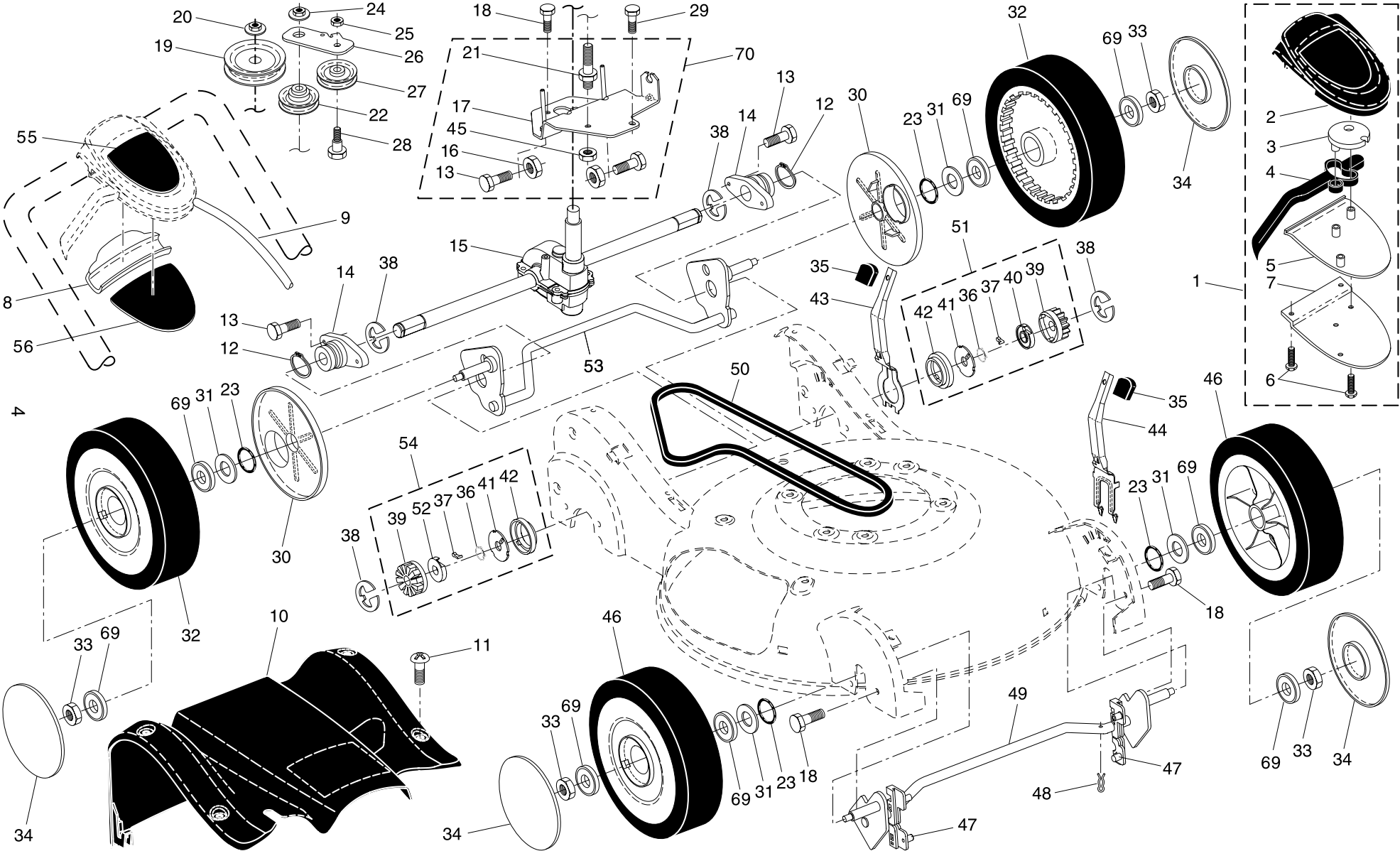
ROTARY LAWN MOWER - - MODEL NUMBER R152SV (95417021700) PRODUCT NUMBER 954 17 02-17

KEY NO.	PART NO.	DESCRIPTION	KEY NO.	PART NO.	DESCRIPTION
1	532 19 05-82	Handle, Grassbag, Rear	33	532 19 05-78	Discharge Chute, Plastic
2	532 06 53-22	Hairpin Cotter	34	532 19 06-19	Adjustment Bracket, Lower Handle, LH
3	532 18 34-83	Rod, Rear Handle, Grassbag	35	532 18 55-88	Knob, Star
4	532 19 40-86	Grassbag	36	532 18 34-65	Bolt, Shoulder
5	532 18 85-06	Frame, Grassbag	37	532 18 59-96	Deflector, Discharge
6	812 00 00-14	E-Ring	38	532 19 06-21	Adjustment Bracket, Lower Handle, RH
7	532 19 05-81	Door, Grassbag	39	532 19 15-75	Bolt, Handle
8	532 18 34-79	Rod, Pivot	40	532 06 64-26	Wire Tie
9	872 14 04-05	Bolt	42	532 18 70-96	Handle Assembly, Lower
10	873 80 04-00	Nut, Hex, Nylock 1/4-20	43	532 18 62-98	Bail, Control
11	532 19 06-92	Tube, Rear Skirt	44	532 18 27-48	Grip, Foam
13	532 19 05-19	Cover, Front	45	532 18 62-96	Handle Assembly, Upper (Includes Foam Grip)
14	532 18 45-72	Screw, Hex Washer Head	46	532 16 43-22	Cable, Engine Zone Control
15	532 15 04-06	Bolt, Engine Mounting	47	532 18 45-70	Screw
16	532 16 58-33	Blade, 21"	48	532 12 52-03	Bracket, Upstop
17	532 85 10-74	Washer, Hardened	49	532 18 45-69	Nut, Hex
18	532 85 02-63	Washer, Lock	50	532 18 85-01	Rope Guide
19	532 19 17-60	Bolt, Hex Head, Grade 8 3/8-24	51	532 19 06-10	Kit, Housing
20	532 18 67-66	Adapter, Blade	52	- - -	Engine, Honda, Model Number GCV160 (Order parts from Engine Manufacturer)
21	532 19 05-16	Debris Shield	53	532 19 40-87	Grassbag Assembly, Complete (Consists of Key Numbers 1-8)
22	817 60 04-06	Screw, Hex Head, Serrated	54	532 18 90-14	Discharge Chute Assembly, Complete (Consists of Key Numbers 30 through 33)
23	532 18 36-09	Mounting Bracket, Mulcher Door	55	532 18 86-28	Stud, Shoulder, T45
24	532 75 11-52	Nut, Hex	56	812 00 00-58	E-Ring, T45
25	532 18 34-45	Rod, Hinge	--	532 19 40-56	Opeator's Manual, European
26	532 18 34-46	Spring, Mulcher Door	--	532 19 40-57	Opeator's Manual, Scandinavian
27	532 18 21-66	Decal, Danger			
28	532 19 05-15	Mulcher Door			
29	532 18 34-47	Knob			
30	532 19 05-80	Door, Discharge Chute			
31	532 18 34-78	Spring, Door, Discharge Chute			
32	532 18 34-45	Rod, Door, Discharge Chute			

NOTE: All component dimensions given in U.S. inches.
1 inch = 25.4 mm

IMPORTANT: Use only Original Equipment Manufacturer (O.E.M.) replacement parts. Failure to do so could be hazardous, damage your lawn mower and void your warranty.

ROTARY LAWN MOWER - - MODEL NUMBER R152SV (95417021700) PRODUCT NUMBER 954 17 02-17



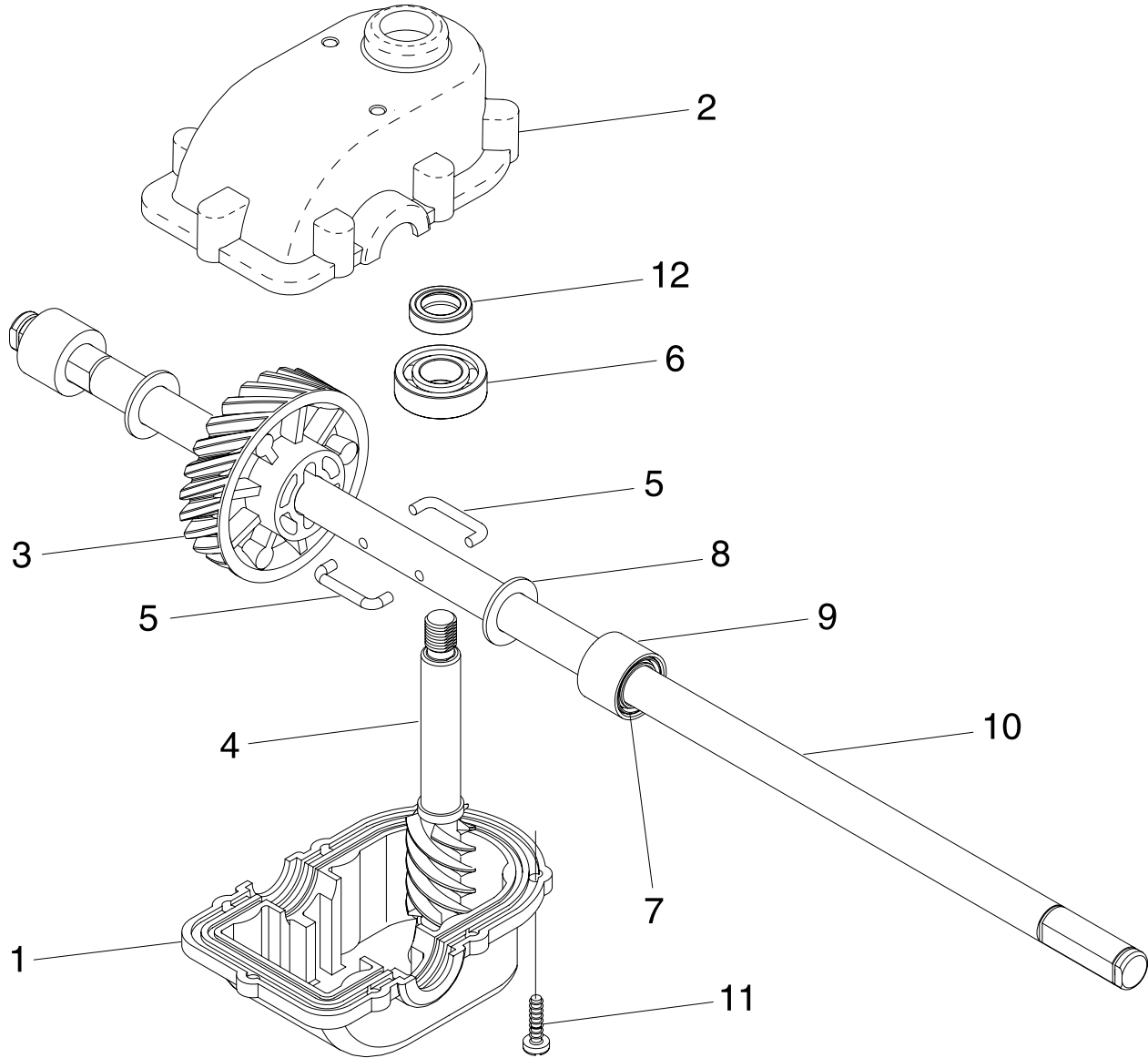
ROTARY LAWN MOWER - - MODEL NUMBER R152SV (95417021700) PRODUCT NUMBER 954 17 02-17

KEY NO.	PART NO.	DESCRIPTION	KEY NO.	PART NO.	DESCRIPTION
1	532 18 53-12	Drive Control Assembly, Complete (Consists of Key Numbers 2 through 7)	31	532 08 83-48	Washer, Flat 3/8
2	532 18 82-79	Cover, Drive Control, Top	32	532 19 26-19	Wheel Assembly, Rear 9 x 2-1/4
3	532 18 73-53	Pulley, Drive Control	33	532 08 39-23	Nut, Hex
4	532 19 02-83	Lever, Drive Control (blue)	34	532 18 36-95	Hubcap
5	532 18 82-78	Cover, Drive Control, Bottom	35	532 18 59-94	Knob
6	532 18 16-98	Screw, Torx Head #8-5/8	36	532 18 82-91	Spring, Torsion
7	532 18 70-97	Bracket, Mounting, Drive Control	37	532 17 50-98	Pawl
8	532 18 62-97	Cap, Drive Control, Bottom	38	812 00 00-58	E-Ring
9	532 18 82-80	Cable, Drive Control	39	532 17 51-03	Gear
10	532 19 05-65	Cover Assembly, Drive	40	532 17 51-05	Retainer, Drive, LH
11	532 18 45-71	Screw	41	532 17 51-04	Disc, Drive
12	812 00 00-12	Ring, Retaining	42	532 18 41-72	Seal, Friction
13	532 18 34-50	Screw	43	532 19 05-20	Lever, Selector, Wheel Height, Rear
14	532 18 71-20	Bearing / Axle Support	44	532 19 05-18	Lever, Selector, Wheel Height, Front
15	532 18 82-94	Gear Case Assembly (See Breakdown)	45	532 75 11-53	Nut, Hex, Flangelock 5/16-18
16	532 13 20-04	Nut, Hex	46	532 19 22-30	Wheel Assembly, Front 9 x 2-1/4
17	532 19 11-81	Bracket, Gear Case / Drive Pulley	47	532 18 34-38	Bushing, Front Axle
18	532 16 34-09	Screw	48	532 16 96-75	Retainer, Hairpin Cotter
19	532 18 94-08	Pulley, Drive	49	532 18 70-89	Torque Shaft Assembly, Front
20	532 13 20-10	Nut, Hex, Flangelock	50	532 18 36-88	Belt, Drive
21	532 18 86-11	Bolt, Idler	51	532 18 83-31	Pinion Assembly, LH
22	532 18 45-43	Pulley Assembly, V-Groove	52	532 17 51-02	Retainer, Drive, RH
23	532 18 81-52	O-Ring	53	532 18 70-91	Rear Axle Assembly
24	532 14 52-12	Nut, Hex, Flangelock	54	532 18 83-30	Pinion Assembly, RH
25	873 93 05-00	Nut, Hex, Lock	55	532 18 93-78	Decal, Drive Control
26	532 18 70-98	Idler Arm	56	532 18 93-79	Decal, Drive Control Adjustment (bottom)
27	532 16 60-43	Pulley	69	532 75 10-68	Bearing, Ball (Wheel)
28	532 16 08-29	Bolt, Hex Head, Shoulder	70	532 19 35-74	Kit, Gearcase Bracket
29	817 06 04-10	Screw 1/4-20 x 1/16			
30	532 18 34-57	Cover, Dust, Wheel			

NOTE: All component dimensions given in U.S. inches.
1 inch = 25.4 mm

IMPORTANT: Use only Original Equipment Manufacturer (O.E.M.) replacement parts. Failure to do so could be hazardous, damage your lawn mower and void your warranty.

**ROTARY LAWN MOWER - - MODEL NUMBER R152SV (95417021700)
 PRODUCT NUMBER 954 17 02-17
 GEARCASE ASSEMBLY - PART NUMBER 532 18 82-94**



KEY NO.	PART NO.	DESCRIPTION
1	532 18 75-30	Case, Lower
2	532 19 12-45	Case, Upper
3	532 18 75-32	Gear, 24 Teeth
4	532 19 12-46	Shaft, Worm
5	532 18 35-05	Wireform
6	532 18 35-06	Bearing, Ball
7	532 18 35-08	Seal, Output Shaft
8	532 18 35-09	Washer
9	532 18 35-11	Bushing
10	532 19 12-47	Shaft, Output
11	532 18 35-13	Screw
12	532 18 35-14	Seal, Worm Shaft
--	532 75 03-69	Grease, Texaco Starplex Premium 1 (Do not substitute) (1.4 ounce capacity)

NOTE: All component dimensions given in U.S. inches.
 1 inch = 25.4 mm